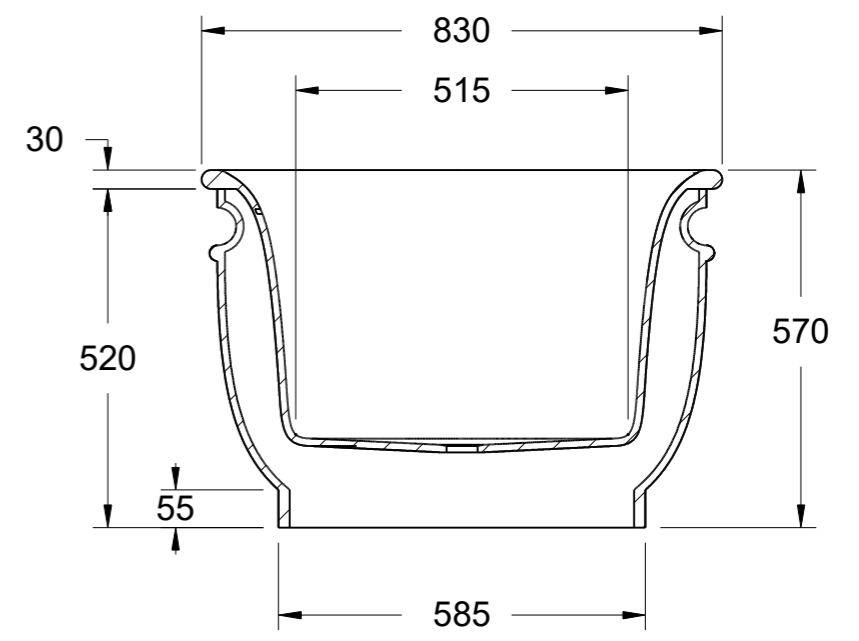
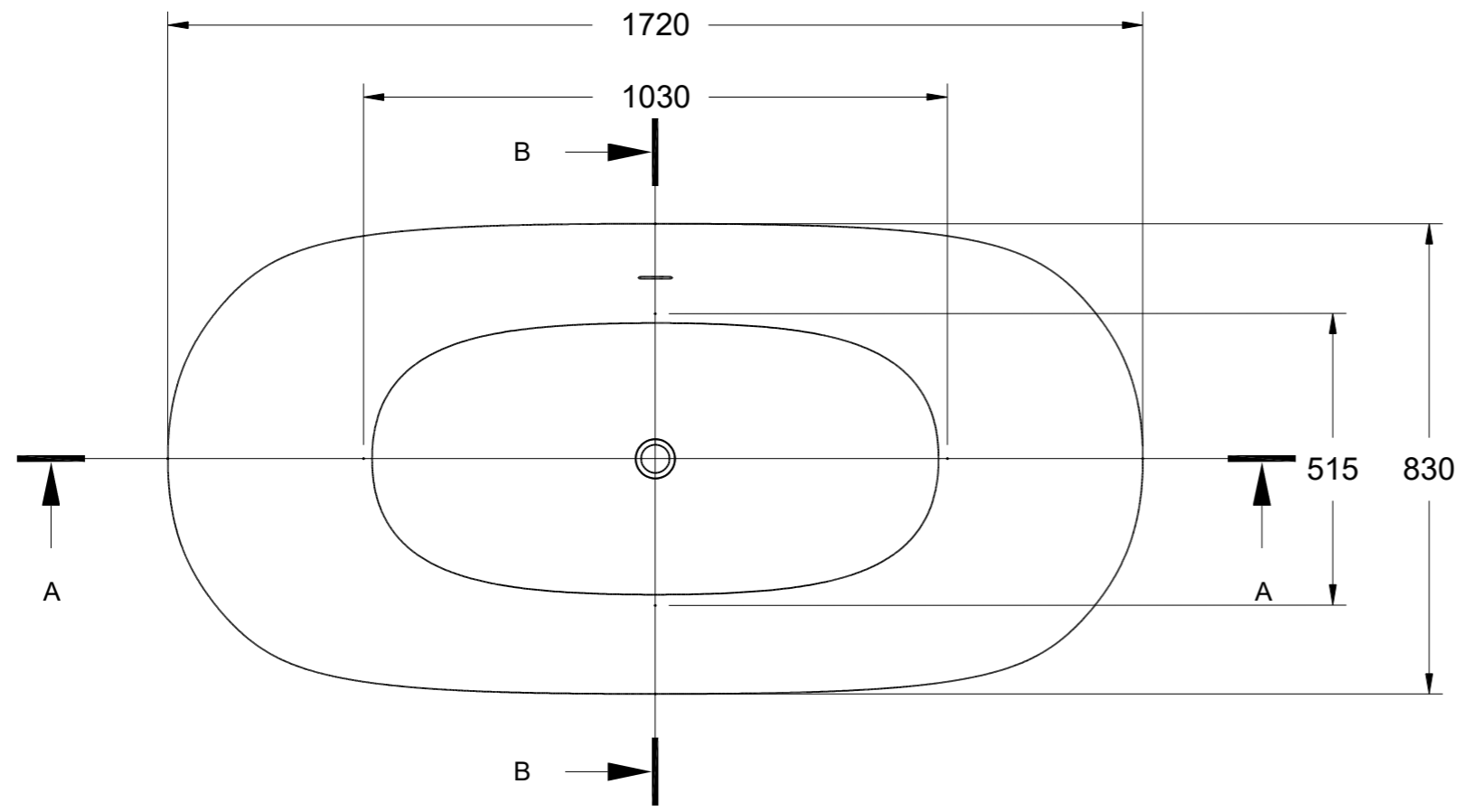
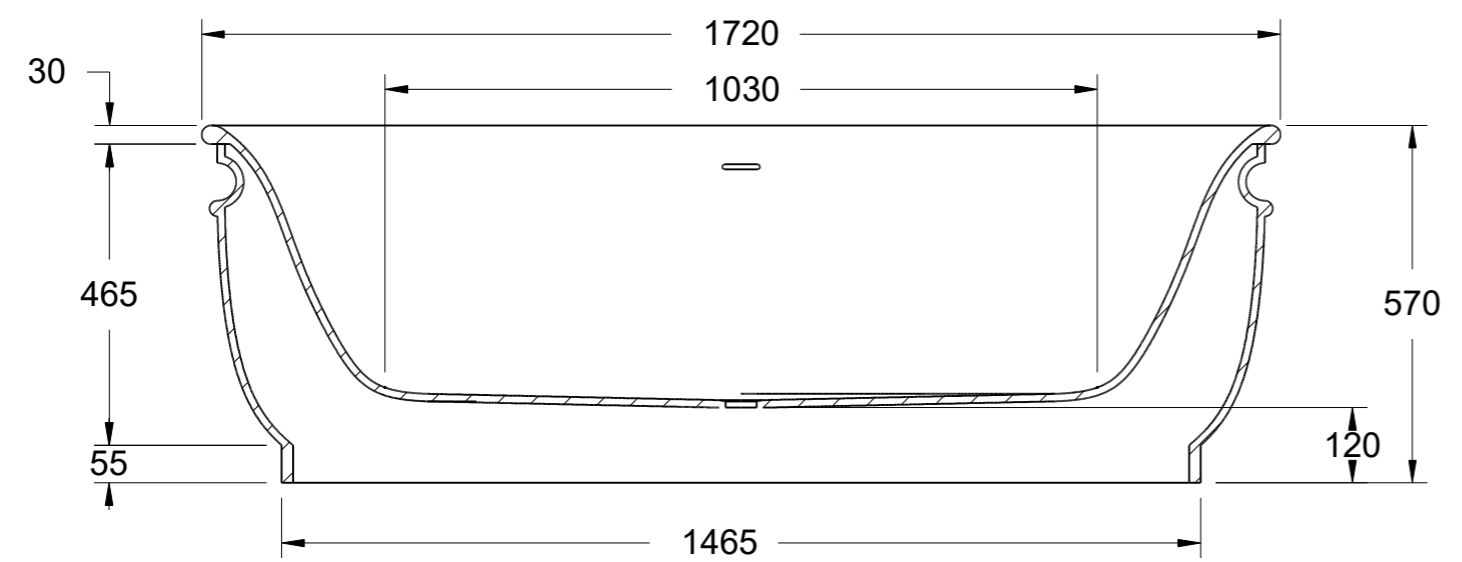


USED ON	NEXT HIGHER ASSEMBLY
-	-



Section B-B



Section A-A

REV	DRAWN	DATE	PARTICULARS	ECP No.

SCALE:  
1:12 ON A3



DO NOT SCALE, USE DIMENSIONS.  
ALL DIMENSIONS ARE IN mm

RESTRICTED

FINAL APPR		
APPROVED		
APPROVED		
CHECKED		
DRAWN	FVK	23/06/2020

MATL:	WEIGHT = 112 kg
TITLE:	<b>ASTON BATH</b>
SUB TITLE:	
CAD No:	DRAWING No:
	1/1
	Rev: 0