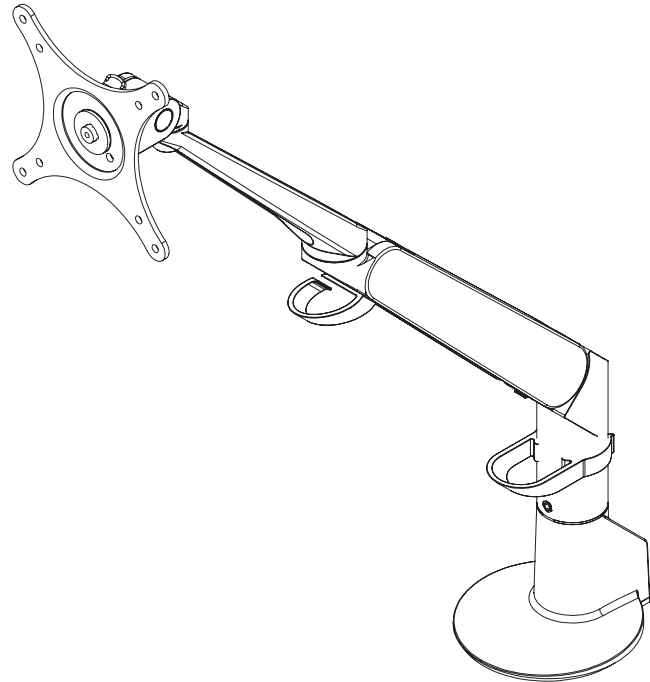
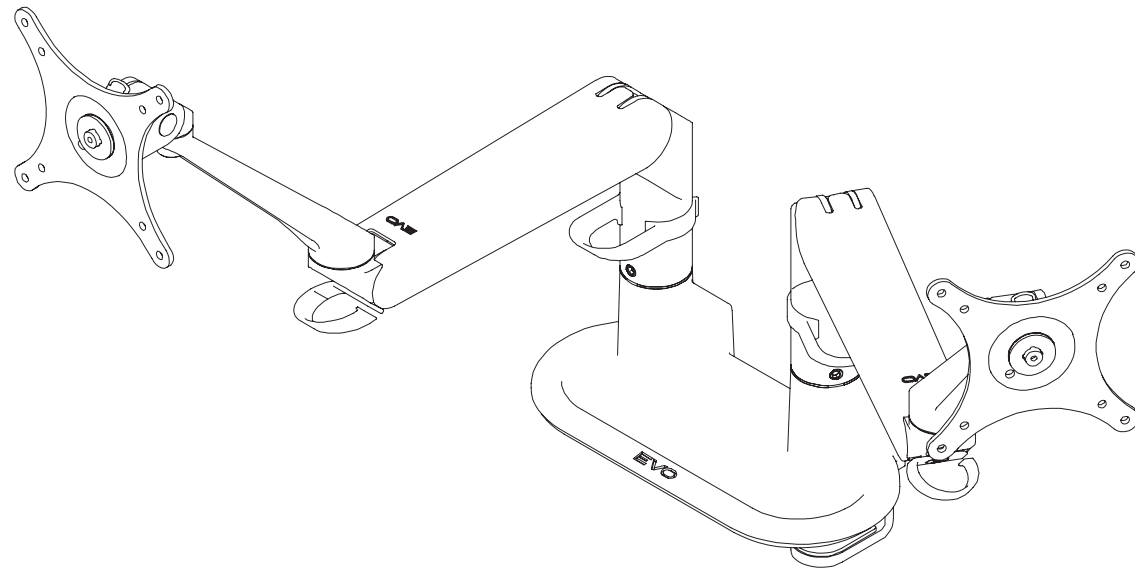


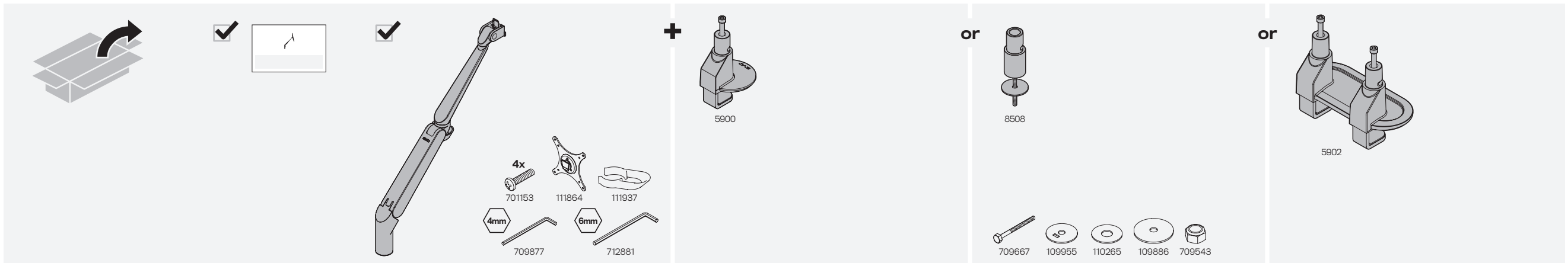
Installation Instructions



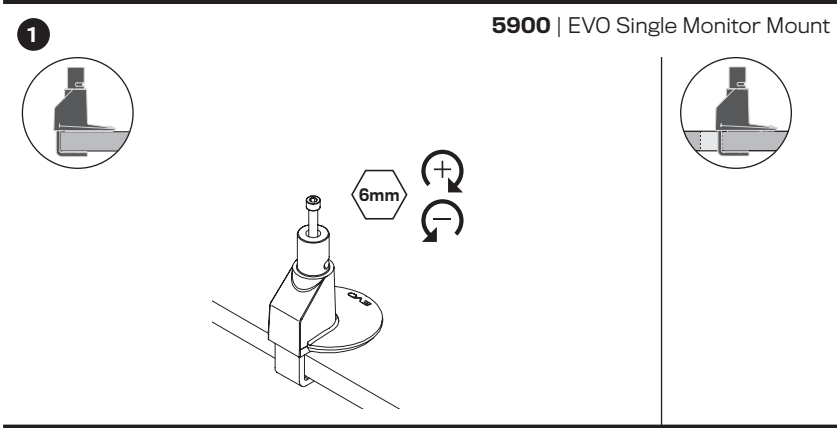
5900



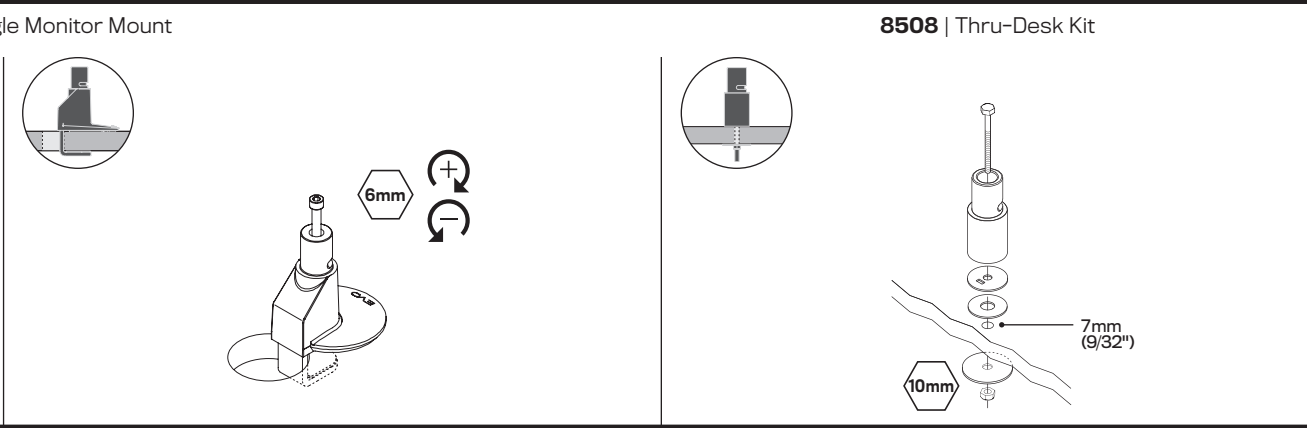
5902



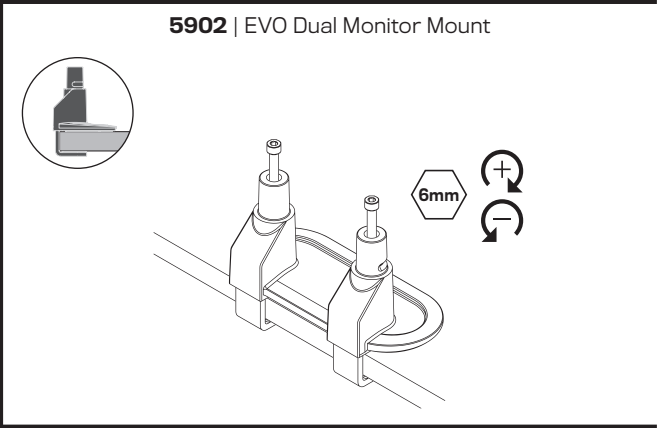
**1** **5900 | EVO Single Monitor Mount**



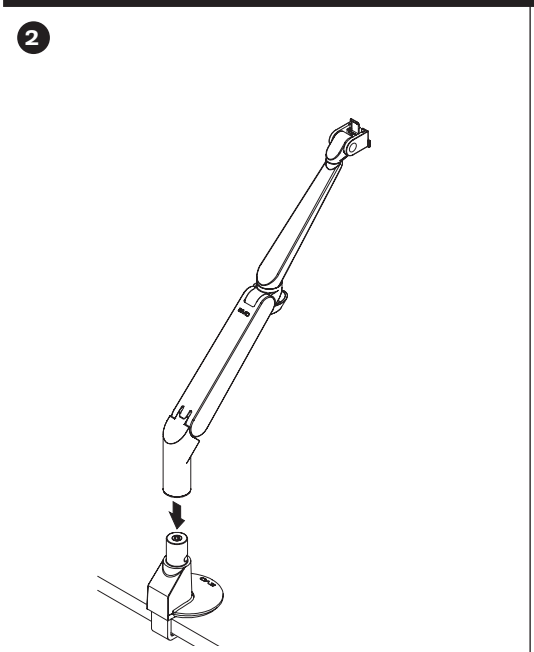
**1** **8508 | Thru-Desk Kit**



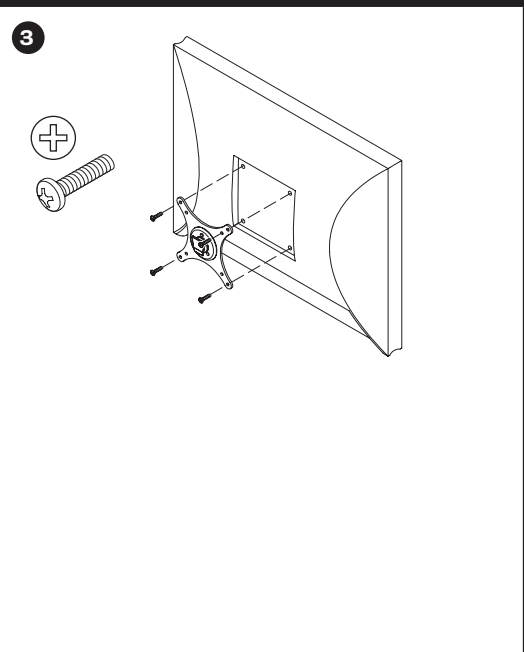
**1** **5902 | EVO Dual Monitor Mount**



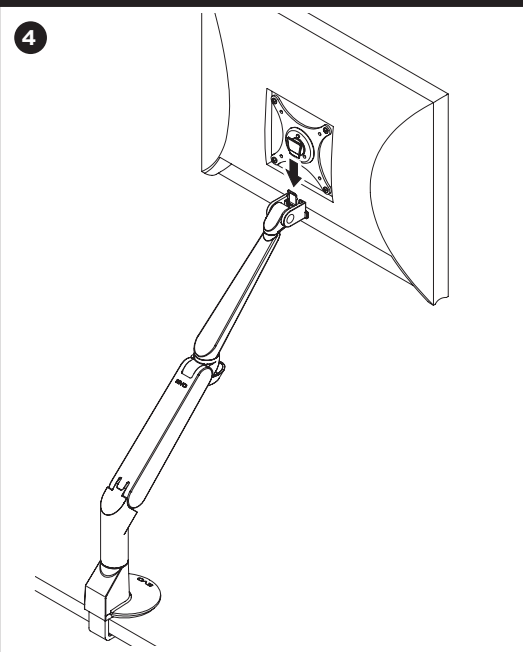
**2**



**3**

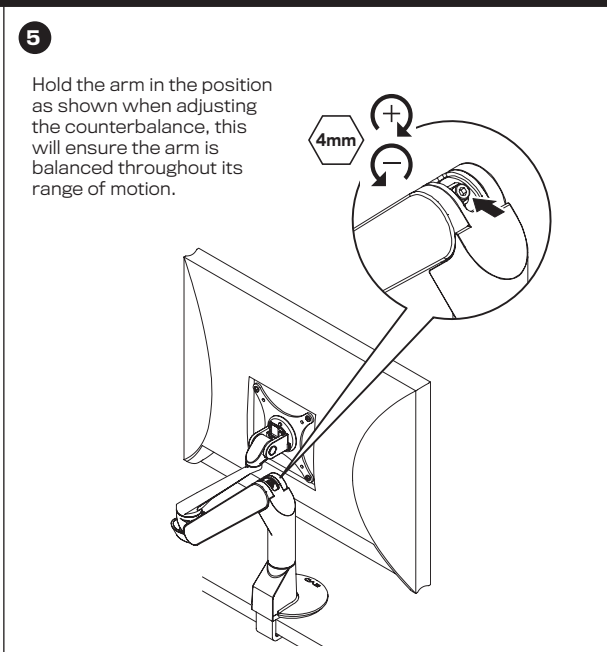


**4**



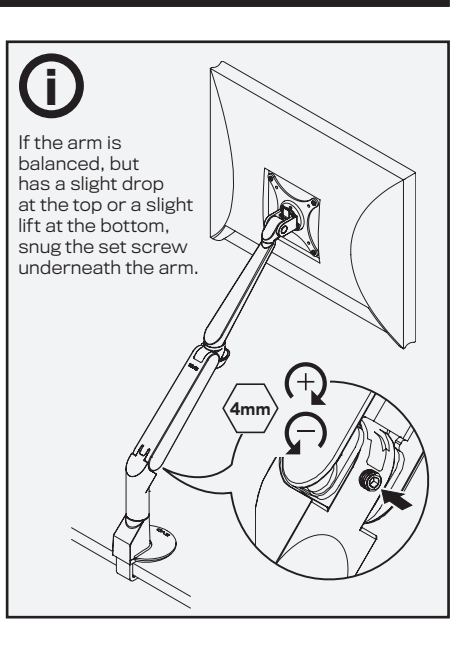
**5**

Hold the arm in the position as shown when adjusting the counterbalance, this will ensure the arm is balanced throughout its range of motion.

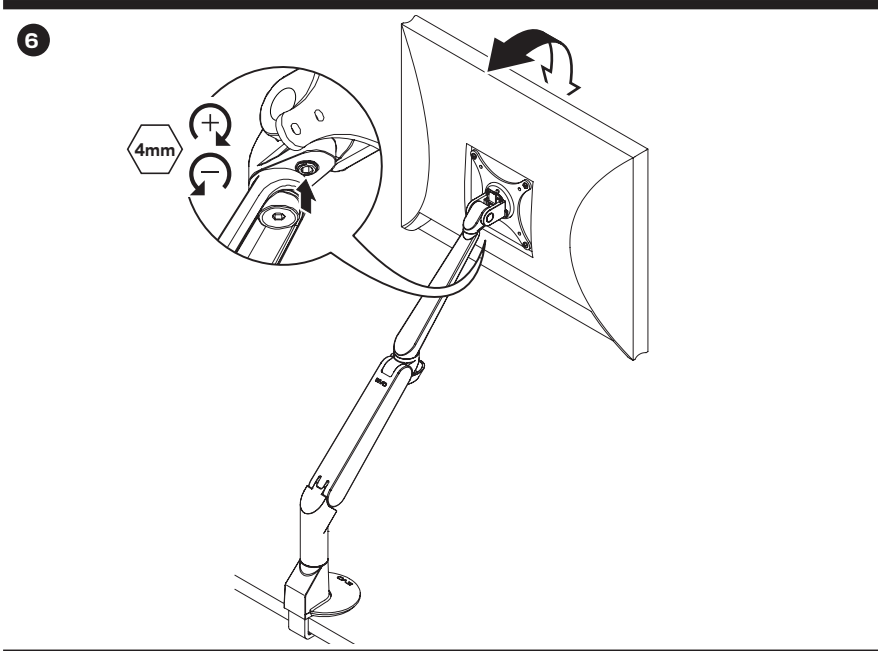


**i**

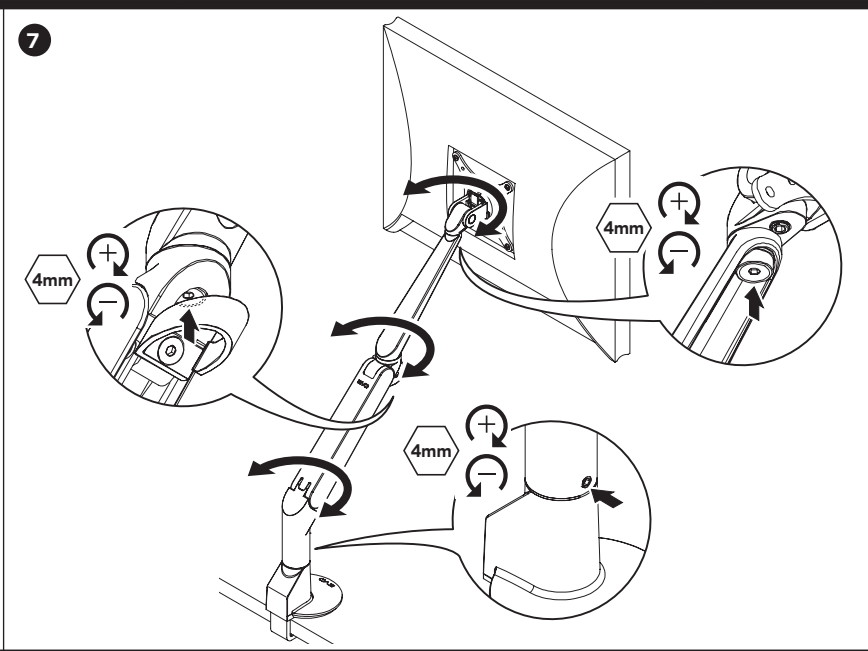
If the arm is balanced, but has a slight drop at the top or a slight lift at the bottom, snug the set screw underneath the arm.



**6**



**7**



**8**

