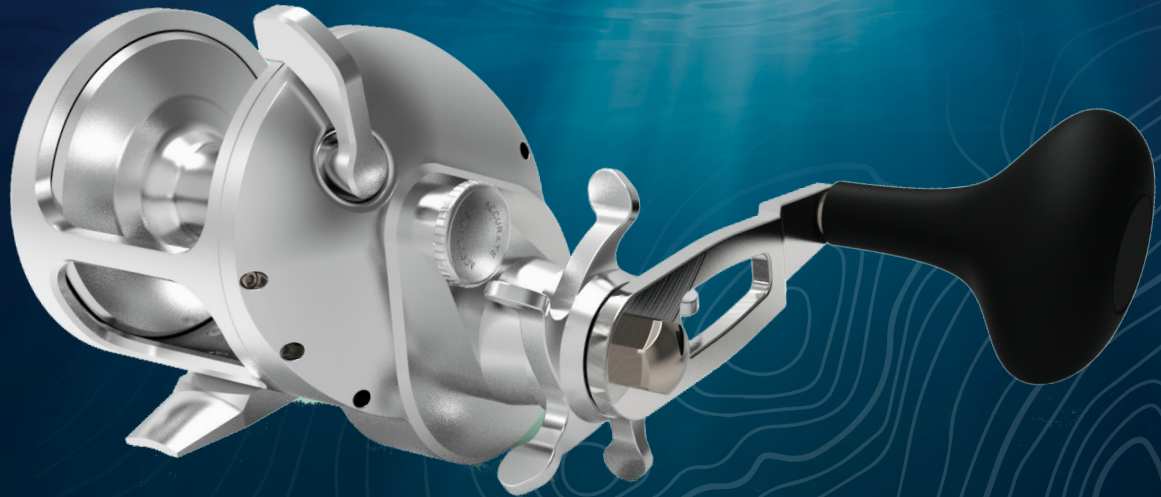


Accurate[®]

**TERN2
OWNERS
MANUAL**



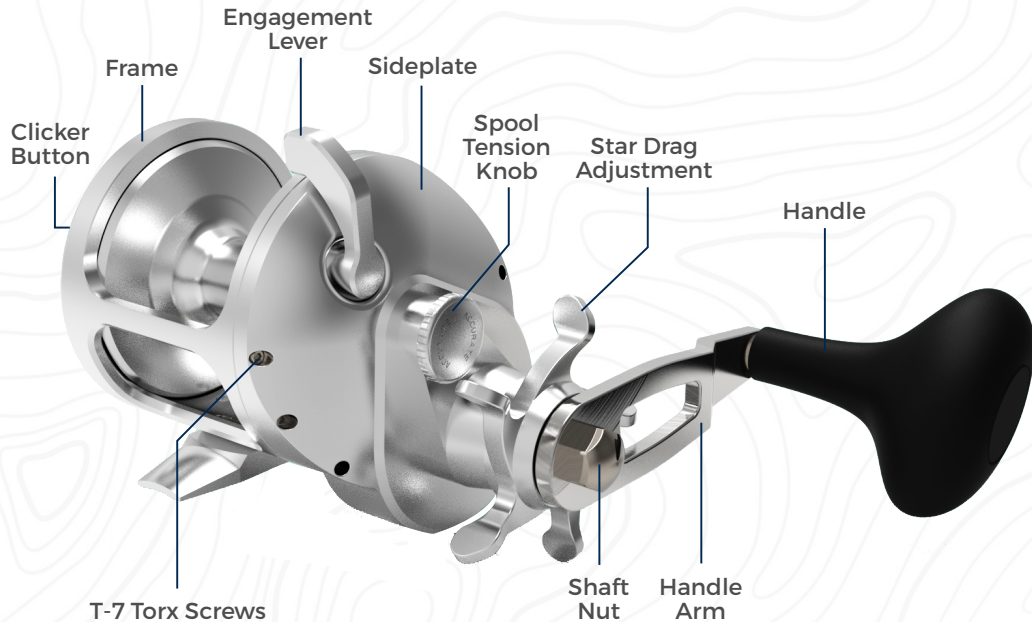
Contents

Getting Acquainted	3-4
Drag Variance, Filling the Spool, Rod Mounting	5
Xtreme Casting Technology	6
Operation	7
Line Capacities	8
Twin Drag System	9
Maintenance	10
Warranty	11

TERN2™

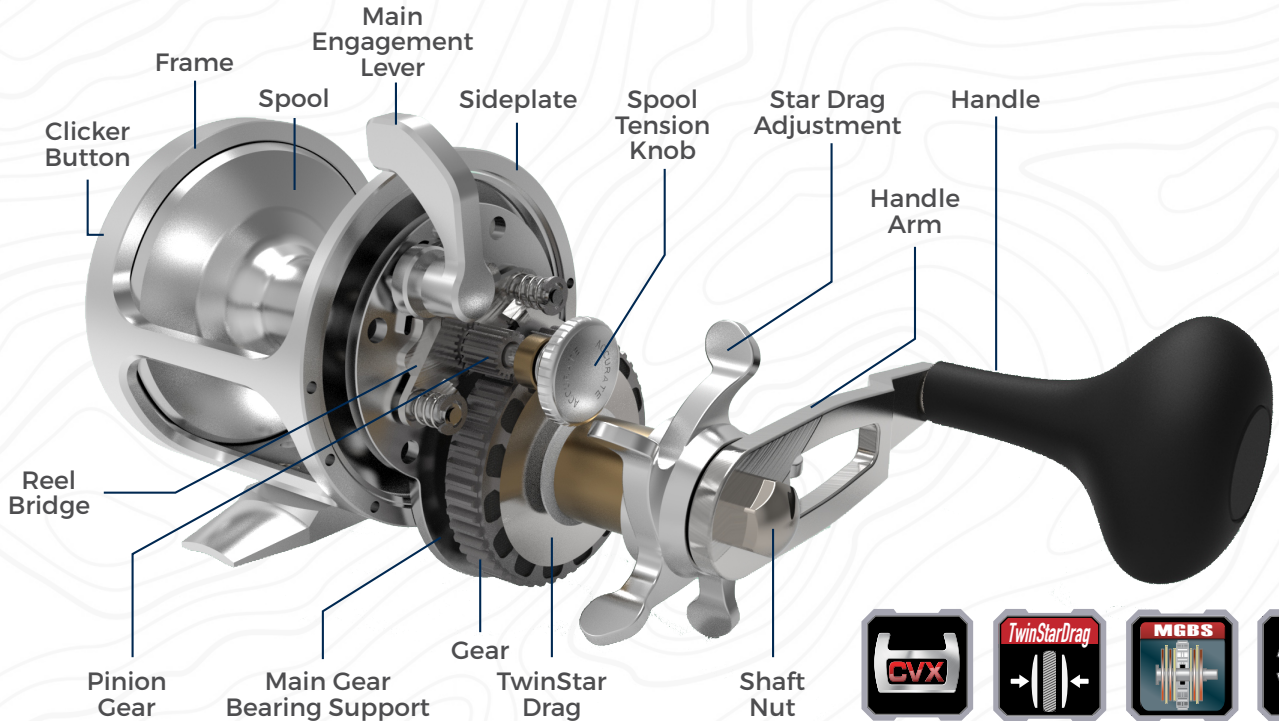
Getting Acquainted

- FIRST TWINSTAR DRAG® (TSD) TECHNOLOGY FOR A SMOOTH, POWERFUL DRAG
- ACCURATE® XTREME CASTING TECHNOLOGY™ (XCT) FOR EASE OF CASTING FOR INCREASED DISTANCE WITH LESS BACKLASHES
- ACCURATE® CVX® TECHNOLOGY FOR LIGHTWEIGHT AND STRONG REELS
- MAIN GEAR BEARING SUPPORT (MBS) PATENT PENDING FOR SMOOTHER, STRONGER OPERATION
- STAINLESS STEEL GEARS FOR STRONG CRANKING POWER
- 6 ABEC 5 BEARINGS
- MADE OF 6061 T6 AIRCRAFT ALUMINUM FOR STRENGTH AND LIGHTWEIGHT
- SIDE SPOOL TENSION ADJUSTMENT FOR FINE TUNING OF SPOOL



TERN2™

Getting Acquainted Continued



TERN2

Drag Variance

Remember as line comes off the spool and diameter of line on reel lessens the drag will spike up. If you are starting with 10 lbs of drag and half the line is taken off the spool, the drag would now be at 20 lbs. This is not the time to adjust drag for a higher setting as you take a chance losing the fish. Best to stay at your original setting and if necessary, back drag off as last-ditch effort.

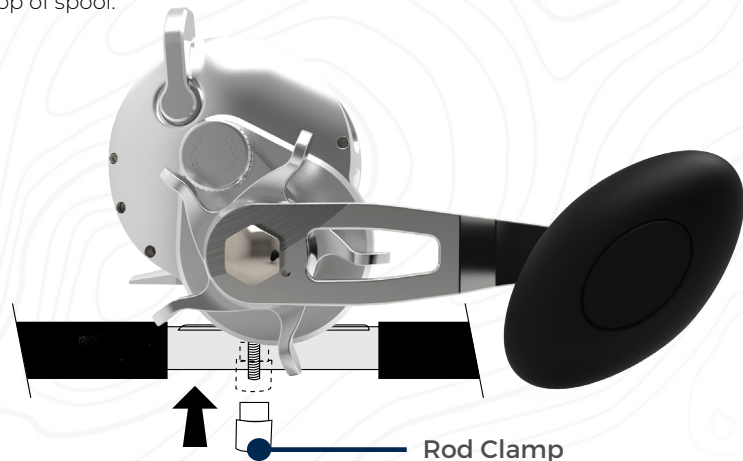
Filling the Spool

Filling the spool with line it's important to put it on evenly and with pressure. Loose line will end up causing problems with line biting on itself and lost fish. Please go to a store that has a line machine for the first filling and watch how they do it. It will save you headaches in the future. The other important thing to know is when putting the line on the spool make sure to put tape on the spool arbor so line attaches to it. Use a good knot like a uniknot or similar and make sure it is cinched all the way down. This will help avoid line moving on the spool when fighting a fish. Do not overfill the spool as it will become hard to cast. Leave 1/8" to 1/4" gap to top of spool.

Rod Mounting

Mounting your reel to rod. Most of the new rods have reel seats of heavy graphite material and will hold reel securely in place once tighten.

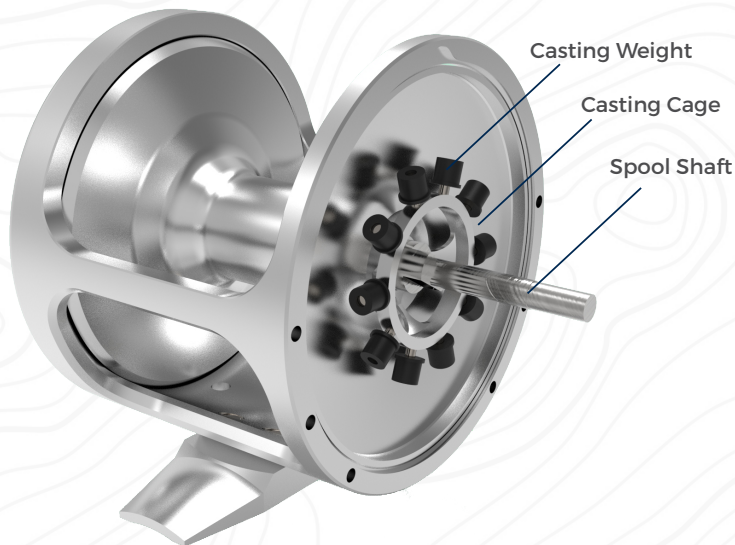
This means you do not necessarily need to use rod clamp but if you are going to all the parts are enclosed to properly put clamp on rod.



TERN2 Xtreme Casting Technology

The Xtreme Casting Technology that is featured on all Tern2 reels, improving your casting every trip. The XCT makes an average caster look like a seasoned vet. The weight system is always on within the race, located on the side plate of the reel. When the spool moves, the weights react to maximize spool rotation depending on weight of the bait used it will go faster or slower to alleviate over runs. The weights on the spool are preset to the size of the spool, we used 4 weights on the 300 and 400 size reels and 6 weights on the 500 and 600 sizes. Reel comes with 3 additional weights in box. This being a centrifugal casting mechanism, to add or subtract weights the sideplate will need to be removed with caution not to lose the weights that are located on side of spool. Once done you will need to carefully put sideplate back on reel without dropping weights from the spool side.

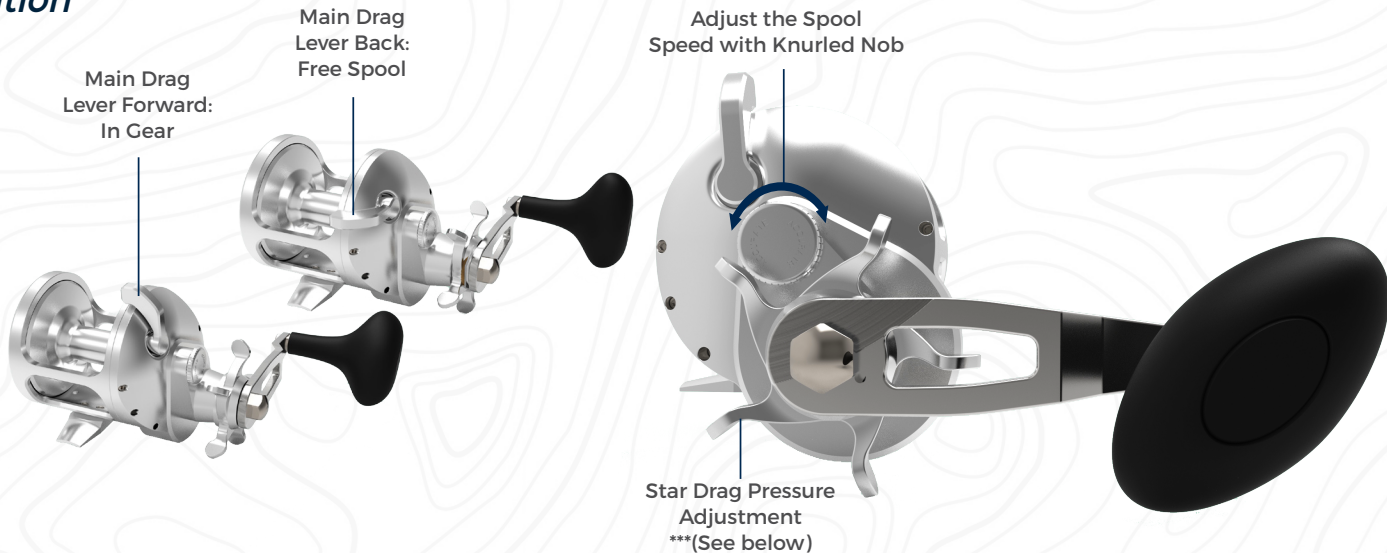
You can go to Accurate YouTube channel and watch a video that will help you with this procedure. Remember that free spool on reel will not roll on forever as weights are on to slow spool. Once you get a bait or lure on the line, you will see the true potential for casting difference of the design.



TERN2

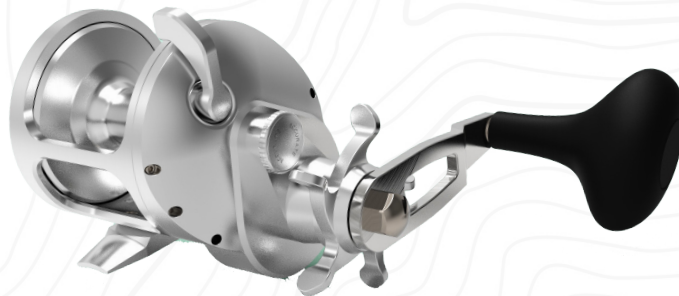
The Tern2 is a star drag reel that has an in gear lever that pushed forward puts the reel in gear and pulled back is freespool. If there is pressure on the spool, the spool lever will not pull back as the forward pressure on the spool will keep it engaged. If you are trying to pull lever back into free spool you need to relieve any pressure on the spool (Line coming off spool). This is a basic operation of any Star drag reel and it is important to remember when fighting a fish.

Operation



Adjusting the spool speed with knurl spool knob, you should tighten it all the way and put reel in freespool. Let the bait or lure hang off rod tip and slowly turn knob backwards until lure or bait slowly falls. This is a good setting to start and if you feel like you need freer spool continue to turn knob backwards till you feel its set appropriate for your casting needs.

***When adjusting your star drag remember to set drag pressure over your rod with a scale on the tip attached to line. Reel drag should be set to $\frac{3}{4}$ or $\frac{1}{3}$ the breaking strength of the line you are using. If you are using 30lb braid set line to 7 to 10 lbs at strike.

TERN2*Line
Capacities***TERN2 (TXD) REELS**

MODEL	WEIGHT (oz)	GEAR RATIO	BRAID CAPACITY	INCHES PER CRANK	MAX DRAG
TXD-300X	14	6:1	325 yds / 30 lb	38"	22
TXD-300	14	5:1	325 yds / 30 lb	30.5"	22
TXD-400X	15	6:1	400 yds / 50 lb	38"	24
TXD-400	15	5:1	400 yds / 50 lb	30.5"	24
TXD-500XN	16	6:1	375 yds / 50 lb	45"	26
TXD-500N	16	5:1	375 yds / 50 lb	35"	26
TXD-500X	17	6:1	350 yds / 65 lb	45"	26
TXD-500	17	5:1	350 yds / 65 lb	35.5"	26
TXD-600XN	18	6:1	425 yds / 65 lb	53"	28
TXD-600N	18	5:1	425 yds / 65 lb	41.34"	28
TXD-600X	19	6:1	375 yds / 80 lb	53	28
TXD-600	19	5:1	375 yds / 80 lb	41"	28

TwinStarDrag™ SYSTEM

Our patented TwinStarDrag™ technology utilizes carbon fiber drag washers and stainless-steel friction washers on both sides of the gear to create the strongest smoothest drag possible.

- PATENTED TWINSTARDRAG™ SYSTEM
- BILLET 6061 - T6 ALUMINUM
- 6 CLASS-5 ABEC STAINLESS STEEL BEARINGS
- STAINLESS STEEL GEARS AND GEAR SHAFT
- LARGER, STRONGER GEAR SHAFT AND ANTI-REVERSE BEARING
- TITANIUM DRAG FRICTION WASHERS
- UNHINDERED FREE-SPOOL AT EVERY DRAG SETTING
- GREASED ACCUDRAGS
- STAINLESS STEEL SPRINGS, SCREWS AND CLIPS
- COMFORTABLE RUBBER HANDLE
- 1-YEAR WARRANTY
- ACCUCARE REEL SERVICE
- PROUDLY DESIGNED, MANUFACTURED AND ASSEMBLED IN THE USA
- LEFT-HANDED MODELS AVAILABLE



TwinStarDrag™ SYSTEM

EVEN DRAG PRESSURE



The Tern2 has the TwinStarDrag™ technology that is the first of its type in a star drag reel. The dual surface drag is smoother, and more powerful. The Tern2 also has a (MGBS) Main Gear Bearing support system for a smoother, stronger operation. With all the added features we also designed (XCT) Xtreme Casting technology for longer more precise casts with less backlashes. This has been tested in west coast conditions with excellent results. The new Tern2 is ready for time on the water.

TERN2

Maintenance

Class 5 A.B.E.C. bearings in the Tern2 are Teflon impregnated in the ball bearing race, no lubrication is needed for these bearings.

Rinse your Tern2 with a fine spray of freshwater with reel in tighten drag position. Do not use heavy spray pressure as it might force saltwater into reel. Do not completely submerge the reel into water. Wipe the exterior of the reel with a clean, soft towel. If reel is on rod gently tap bottom of the rod on ground and wind reel quickly to get any excess water out.

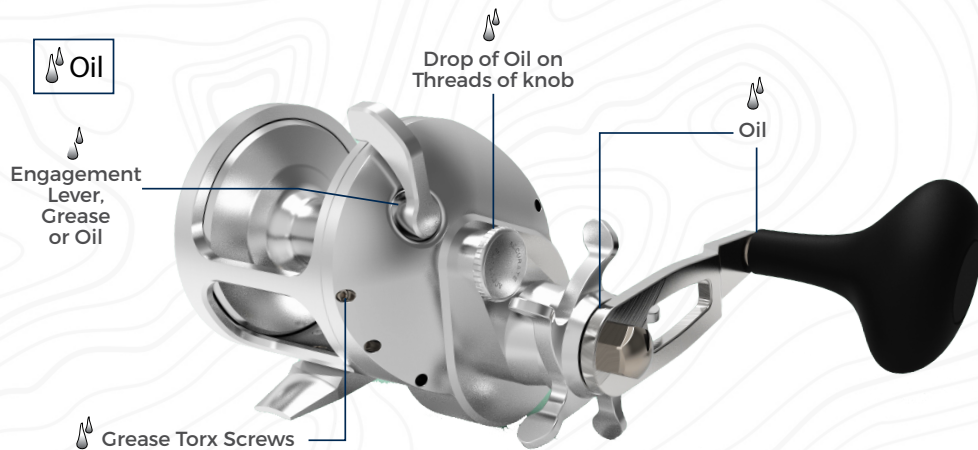
Let reel dry out then take drag and loosen it as it still has a light drag, hold spool in position and turn handle around in full circle a couple times. This will break all parts of reels apart that might have been affected by any salt sitting on it. Once done you can lubricate reel at tension knob, lever, and Star Drag with a drop or two of reel lube included in box.

You can find a video on Accurate's YouTube channel under reel maintenance if you need any further help.

Periodically check all exterior screws to make sure they are tight.

We recommend yearly maintenance of your Tern2 with a service professional. Preventative maintenance will prolong life of reel and make sure it is ready to catch the following season.

When storing reel back off drag and store with clicker in on position.



Accurate Fishing Products One Year Limited Warranty **TERN2** Reels

TERN2

Warranty

How Long Does The Limited Warranty Coverage Last? This limited warranty runs for a period of one (1) year starting from the date that the Tern2 reel was first purchased by the consumer. Coverage terminates if you sell or otherwise transfer the reel.

What Does The Limited Warranty Cover? Accurate Fishing Products warrants to the original purchaser that its TERN2 fishing reels are free from defects in material and workmanship with the exceptions stated below.

What Is Not Covered By This Limited Warranty? This limited warranty does not cover damage or problems caused by misuse, abuse, neglect, accident, installation, alterations or failure to properly maintain the reel.

What Will Accurate Fishing Products Do? Accurate Fishing Products will repair or replace any reel which is defective in material or workmanship covered by this limited warranty at no charge.

How Do You Get Service? If something goes wrong with your reel, or you want to receive the annual lubrication service, send it to Accurate Fishing Products, postage pre-paid, along with a sales receipt or other proof of the date of purchase. Be sure your reel has been registered through our website and include a filled-out service form or a note explaining the problem. Send the TERN2 reel to Accurate Fishing Products at:

Accurate Fishing Products 807 E. Parkridge Avenue, Corona, California 92879.

You can find the service form and reel registration on our website at <https://accuratefishing.com/help>

You can also check out this link for an authorized service center near you: <https://accuratefishing.com/accurate-service-centers/>

Please pack your reel with any parts that have been removed securely in a sturdy box. Be certain that your package is adequately insured and mailed with a shipping company that has tracking capabilities and include the service form or note. Accurate Fishing Products will inspect your reel and contact you within a timely matter of receipt to inform you whether the problem is covered by this limited warranty. There is no charge for the inspection.

What Are The Warranty Limitations And Limitations Of Liability? There are no other express warranties. Any warranty of merchantability or fitness for a particular purpose is limited to the duration of this limited warranty. Accurate Fishing Products shall NOT be liable for any loss of use, loss of time, inconvenience, commercial loss, or other incidental or consequential damages. Some states do not allow limitations on how long an implied warranty lasts, or the exclusion or limitation of incidental or consequential damages, so the above limitations and exclusions may not apply to you. This limited warranty gives you specific legal rights, you may have additional rights which vary from state to state.

Accurate

For More Information
Visit Accurate Fishing® Online At:

www.ACCURATEFISHING.com



@ACCURATEFISHING

Additional Reel Information
Reel Service And Maintenance Tips
Additional Accessories
Charters, Trips, And Lodges