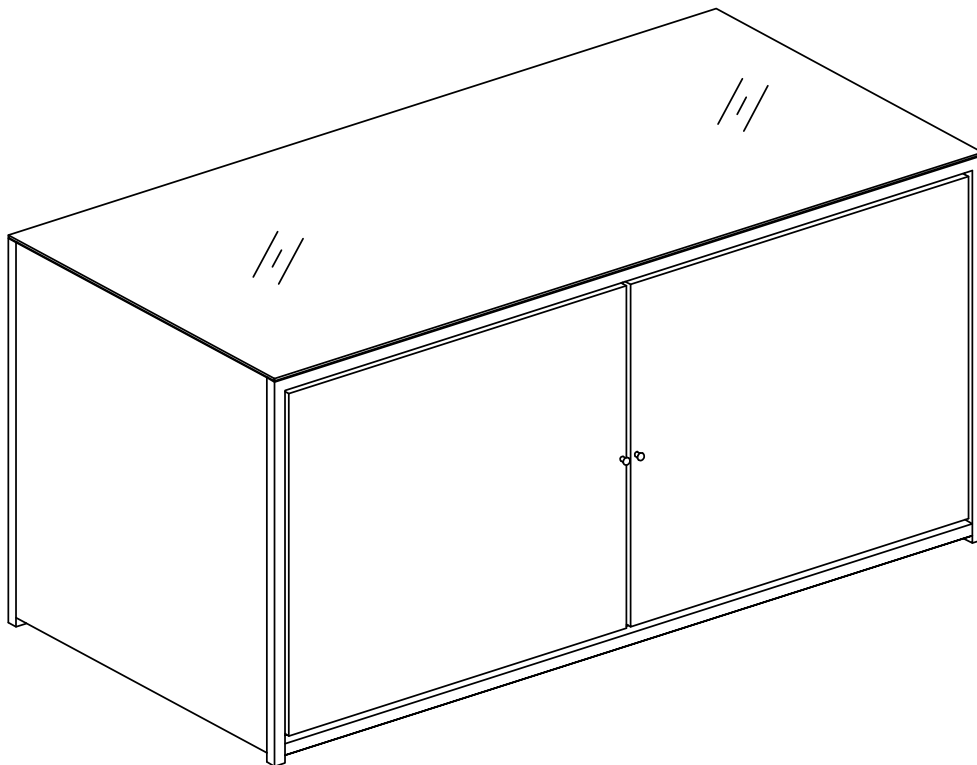




HARBOUR
L I F E S T Y L E

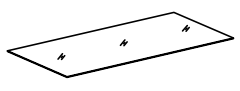
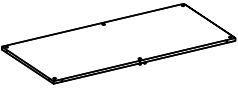
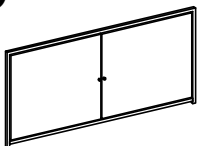
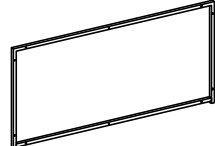
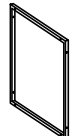




Assembly Instructions for Santiago Storage Box

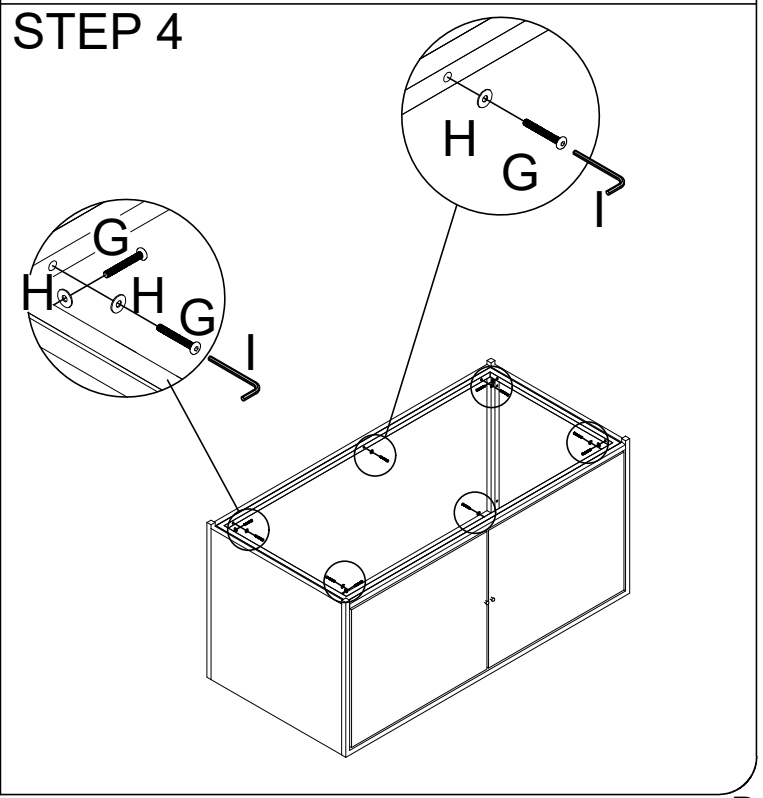
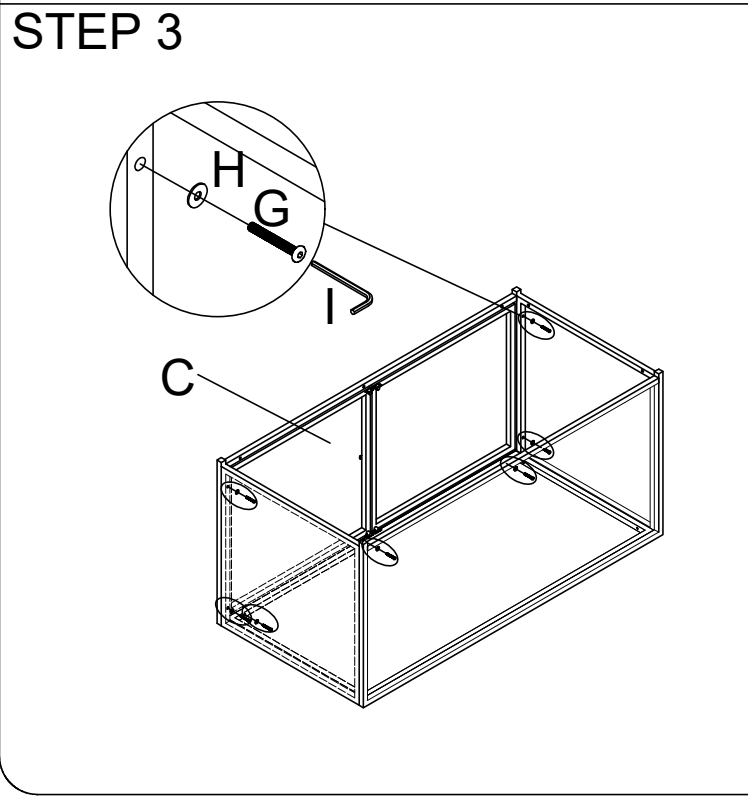
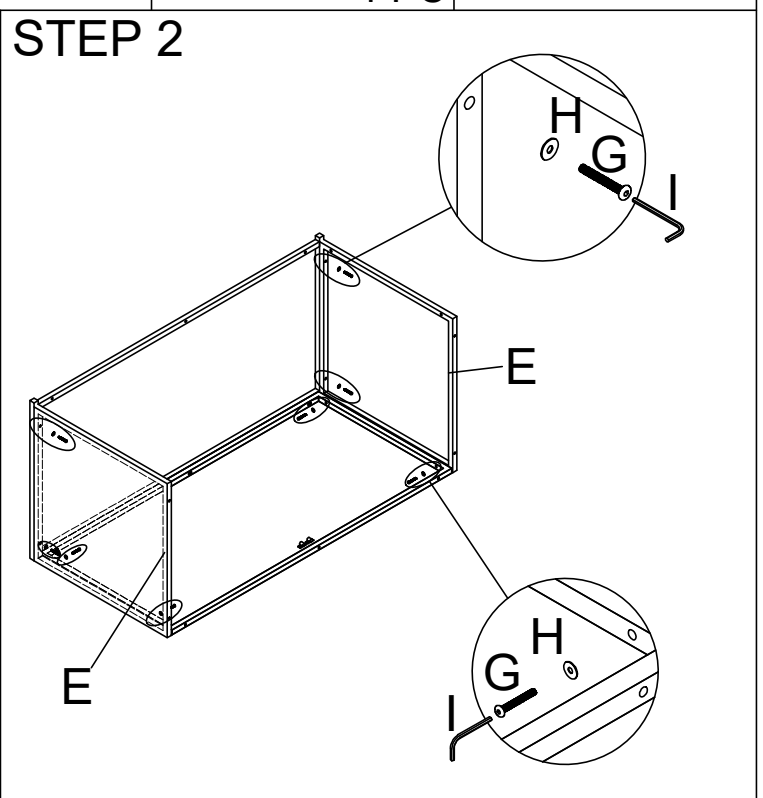
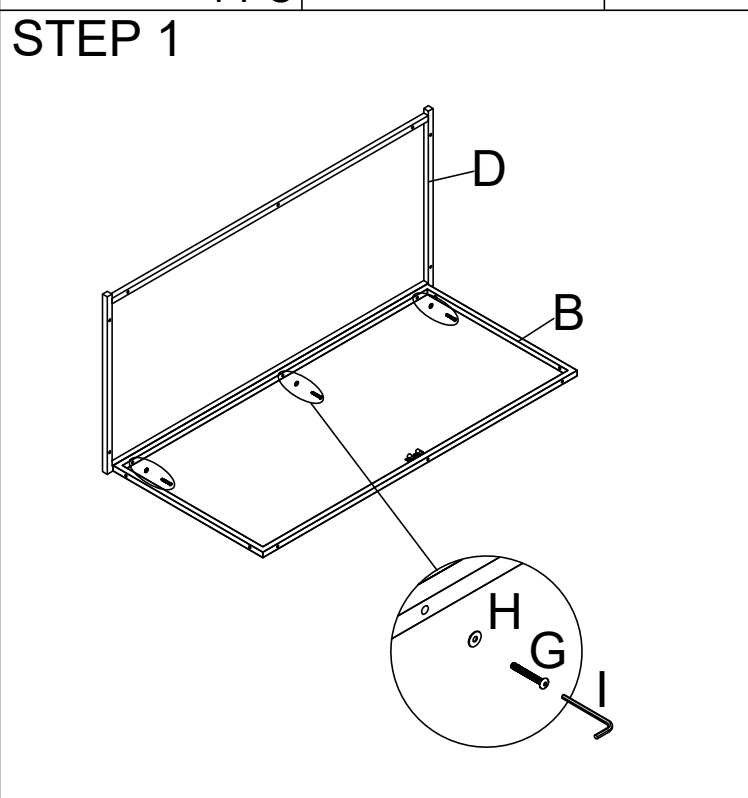


www.harbourlifestyle.co.uk

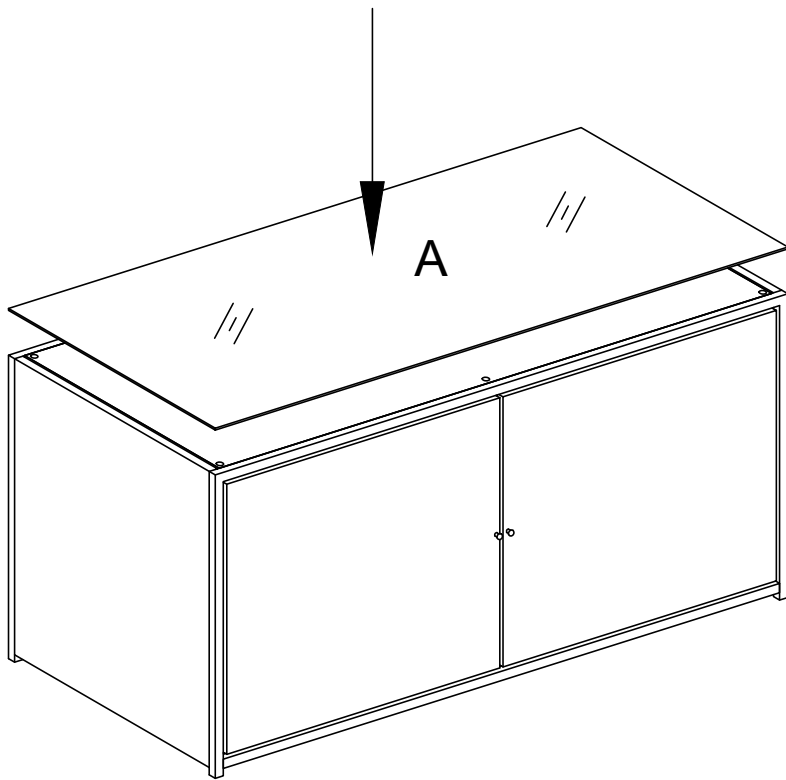
If you have any questions or require additional support, please contact the team at customerservices@harbourlifestyle.co.uk. Alternatively you can contact us via telephone on **01223 626006**.

Assembly Instructions

| | | | | |
|--|---|--|---|--|
| <p>A</p>  <p>1 PC</p> | <p>B</p>  <p>1 PC</p> | <p>C</p>  <p>1 PC</p> | <p>D</p>  <p>1 PC</p> | <p>E</p>  <p>2 PCS</p> |
| <p>F</p>  <p>1 PC</p> | <p>G</p>  <p>1/4x50mm 28PCS</p> | <p>H</p>  <p>28PCS</p> | <p>I</p>  <p>1 PC</p> | |



STEP 5



STEP 6

