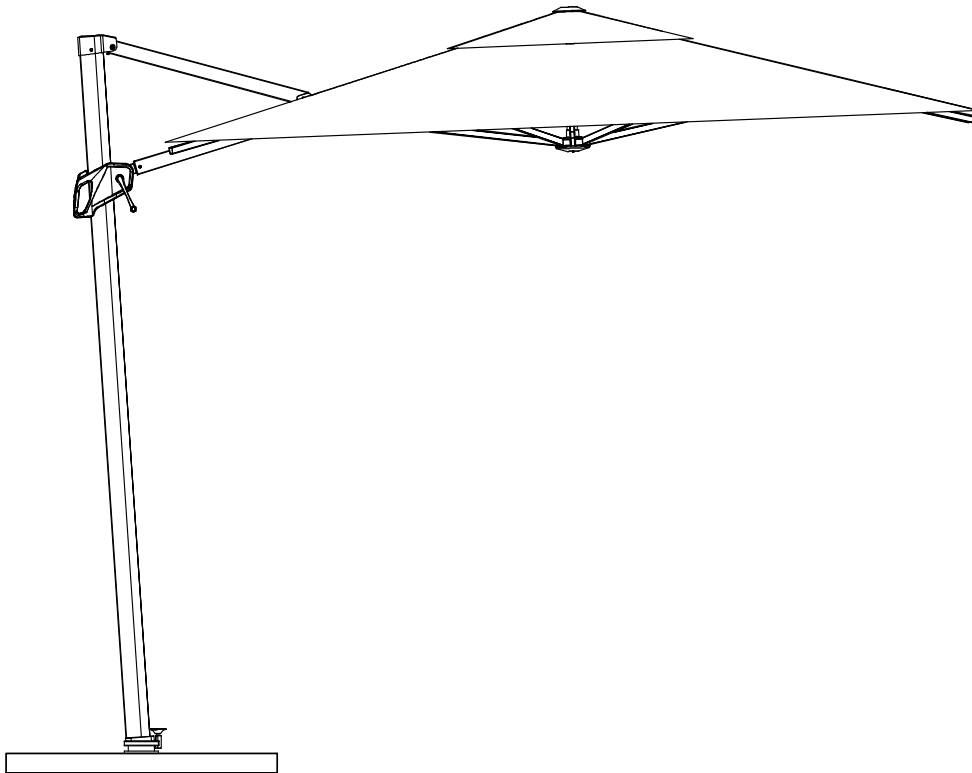




HARBOUR
L I F E S T Y L E

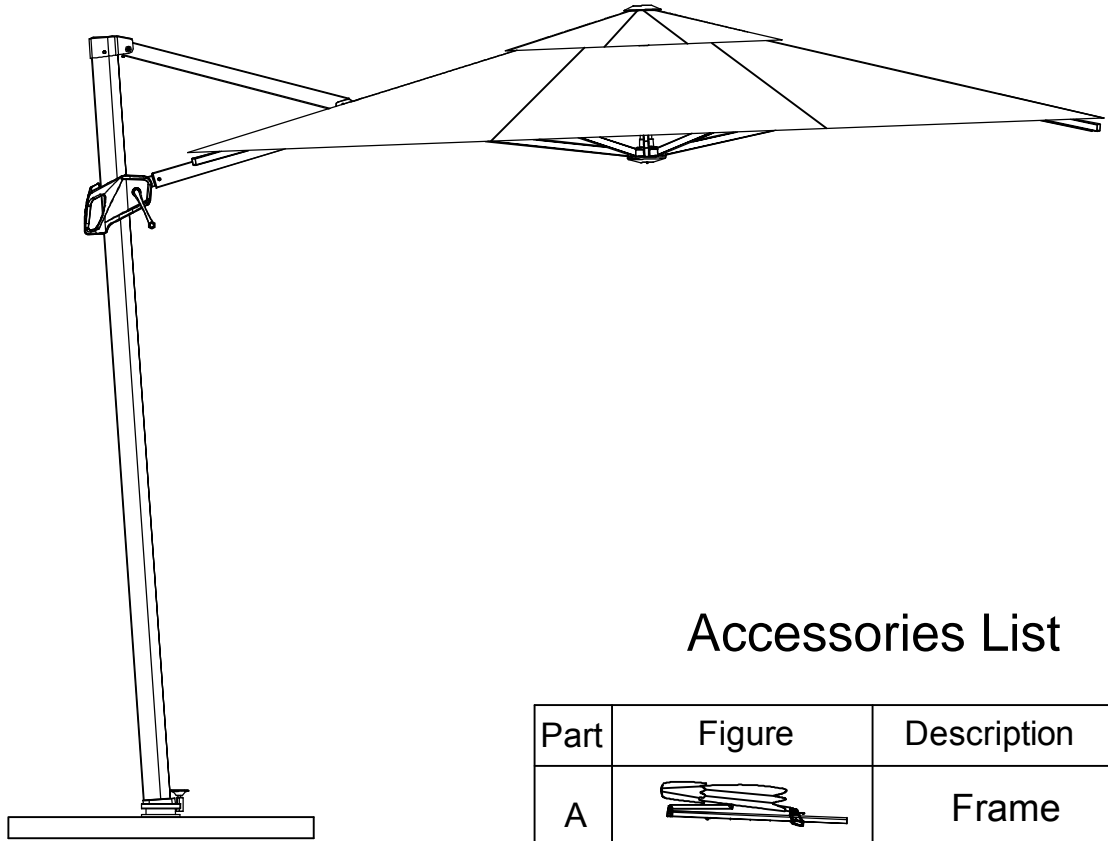
Assembly Instructions for Eros Parasol



www.harbourlifestyle.co.uk

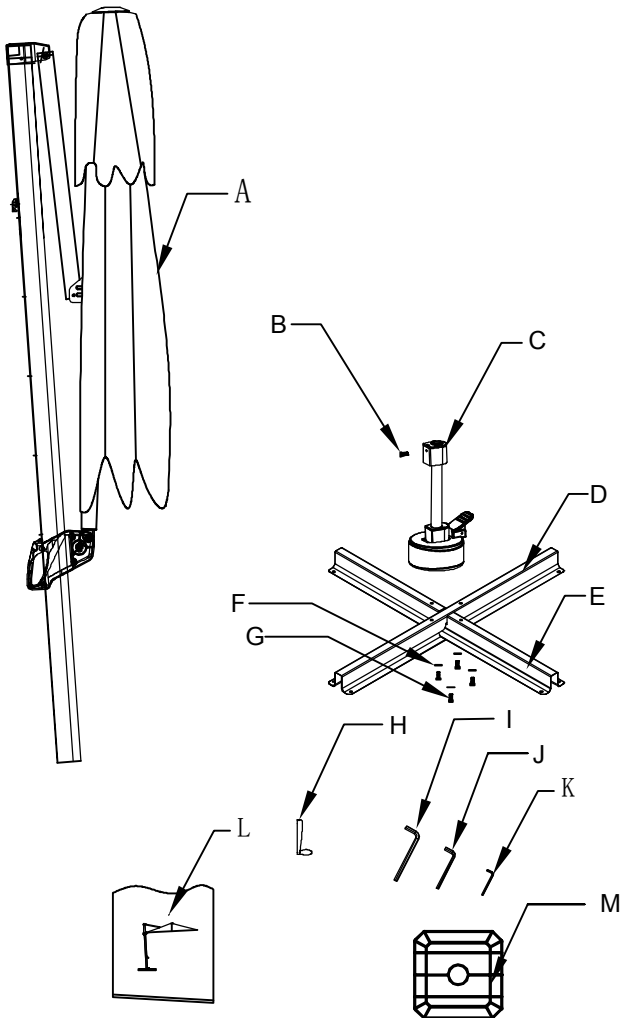
If you have any questions or require additional support, please contact the team at customerservices@harbourlifestyle.co.uk. Alternatively you can contact us via telephone on **01223 626006**.

C35 Instruction Manual



Accessories List

Part	Figure	Description	Qty.
A		Frame	1
B		Screw	1
C		Rotating device	1
D		Cross base A	1
E		Cross base B	1
F		Washer	4
G		Screw	4
H		Crank handle	1
I		6# Allen wrench	1
J		2.5# Allen wrench	1
K		2.5# Allen wrench	
L		Assembly Instruction	1
M		Base	1



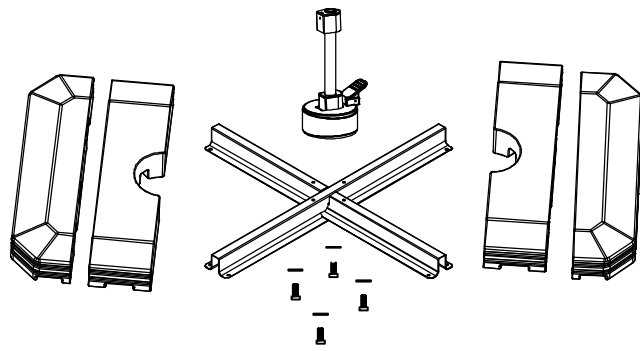


Fig 1



Fig 2

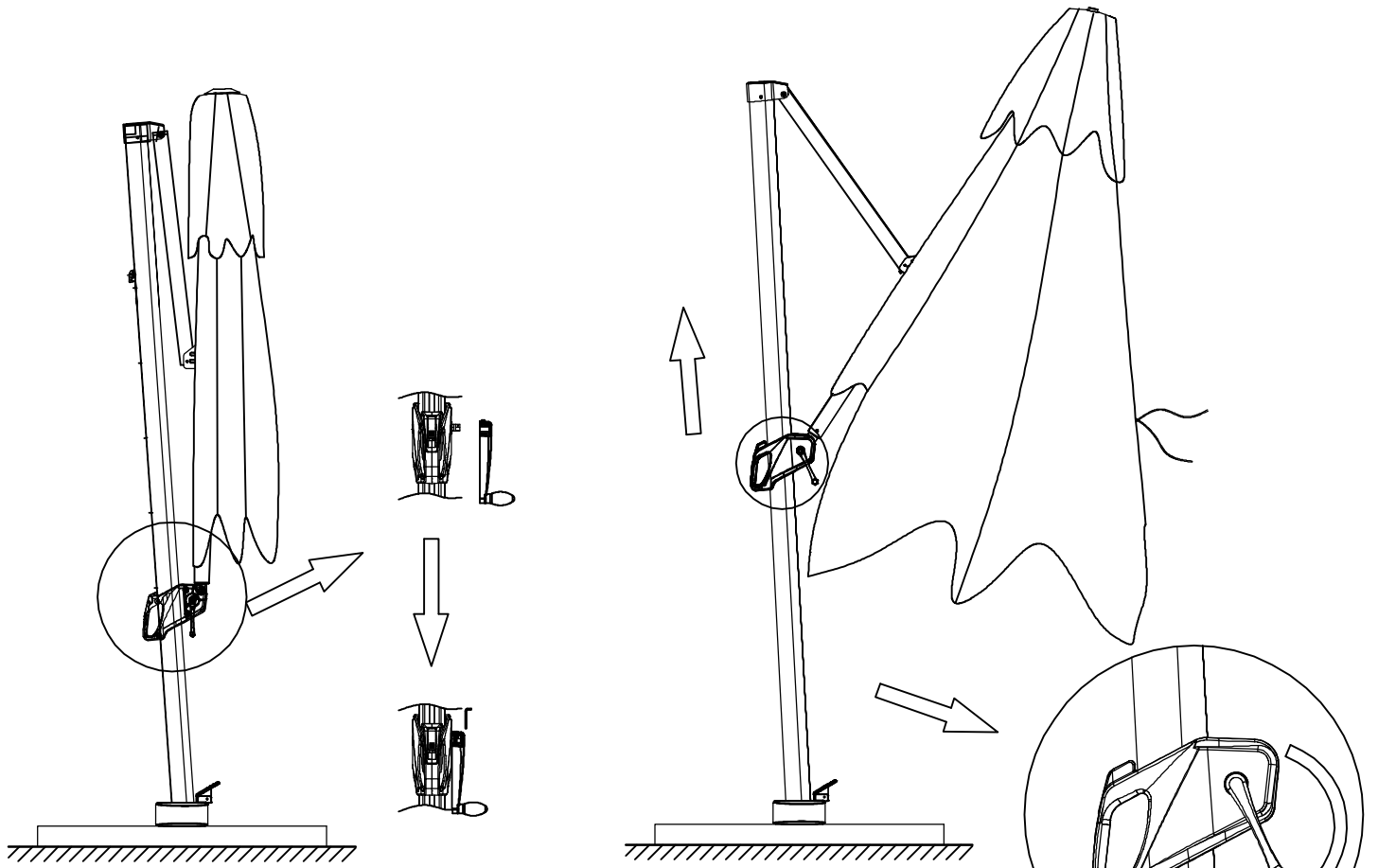


Fig 3

Fig 4

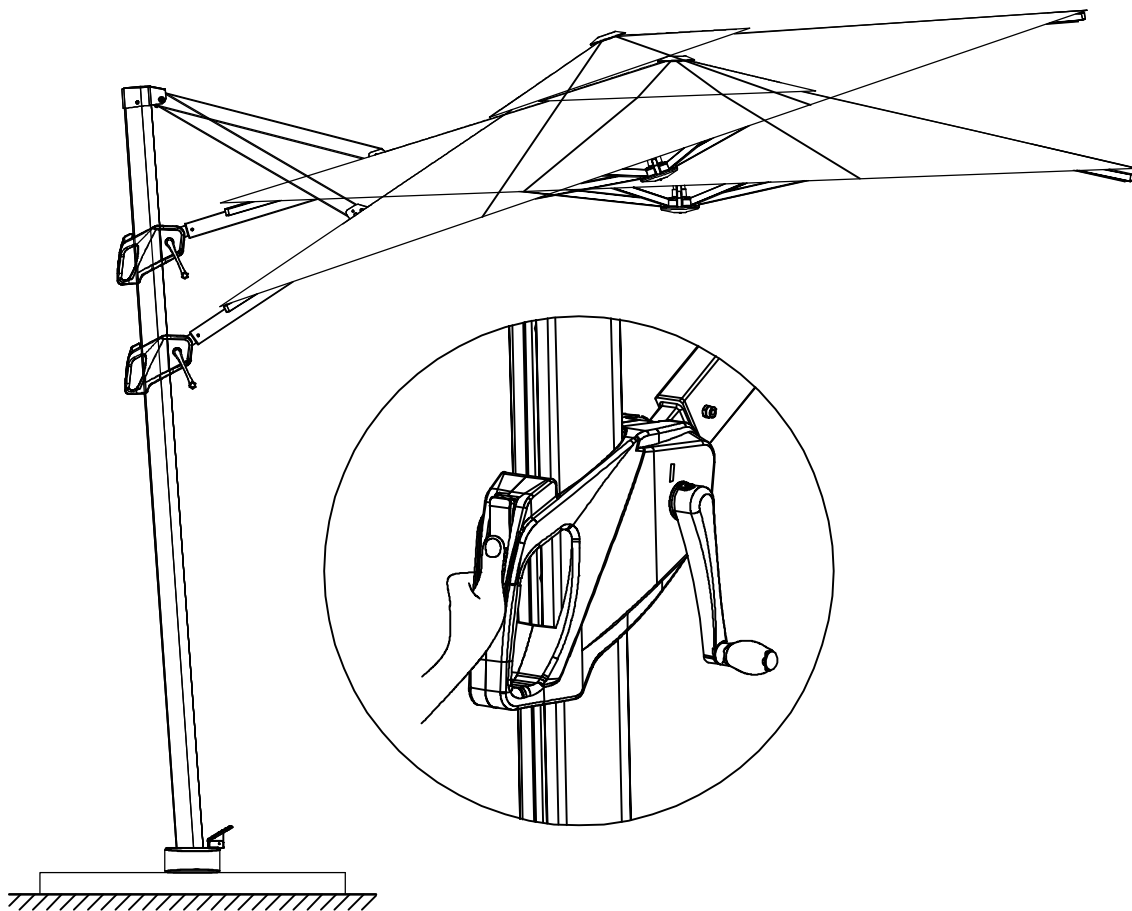


Fig 5

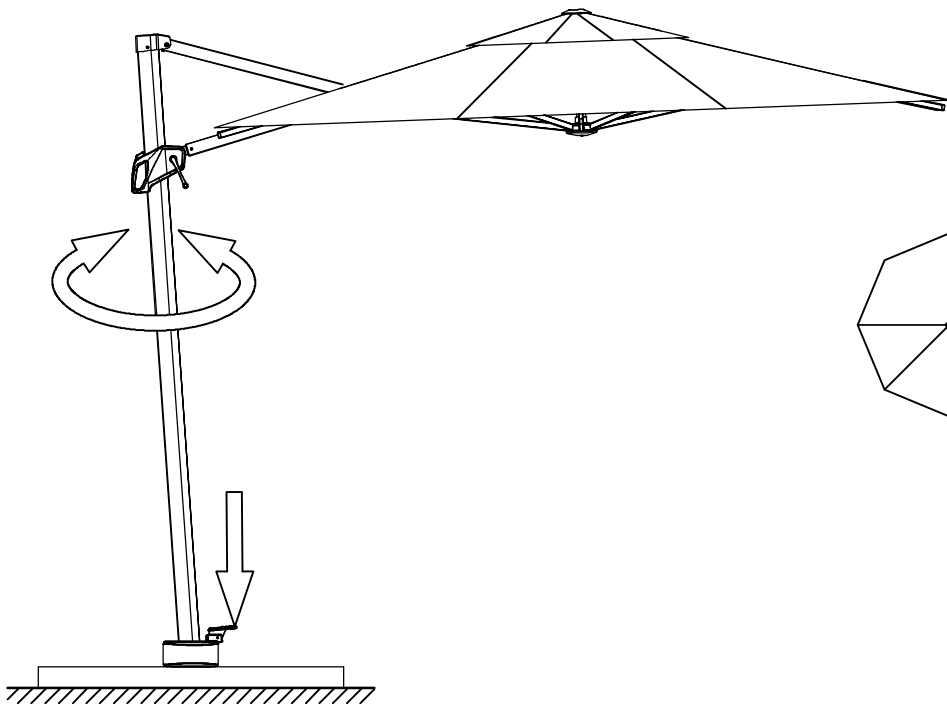


Fig 6

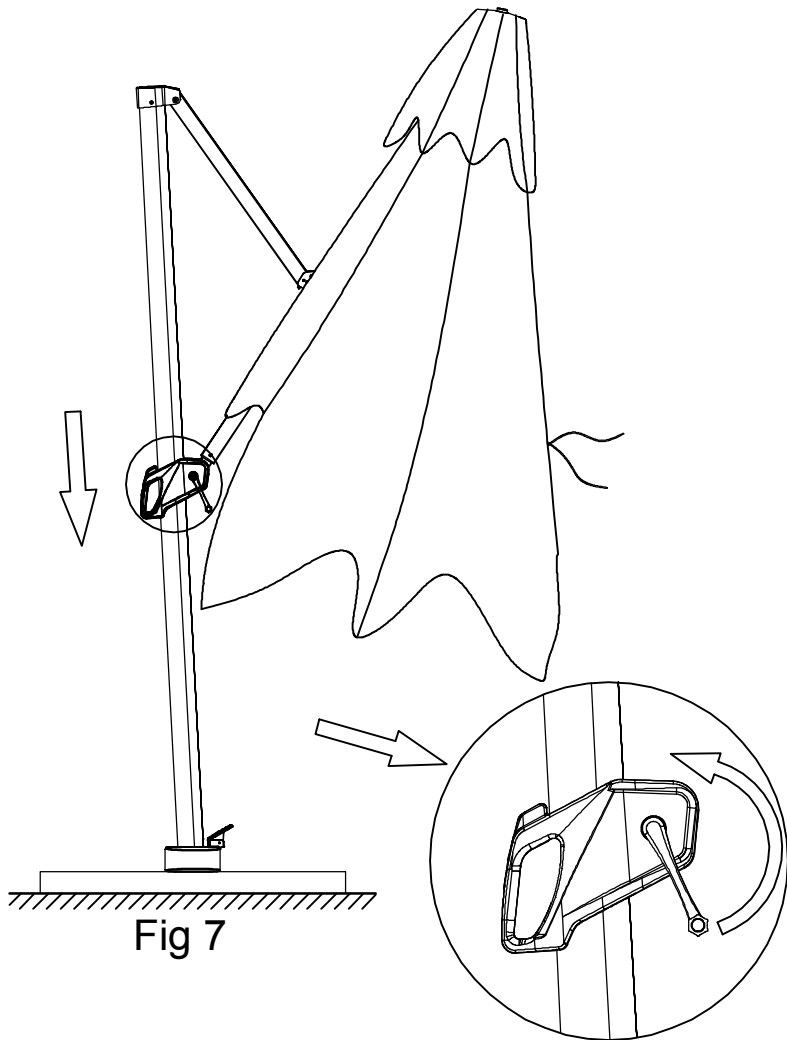
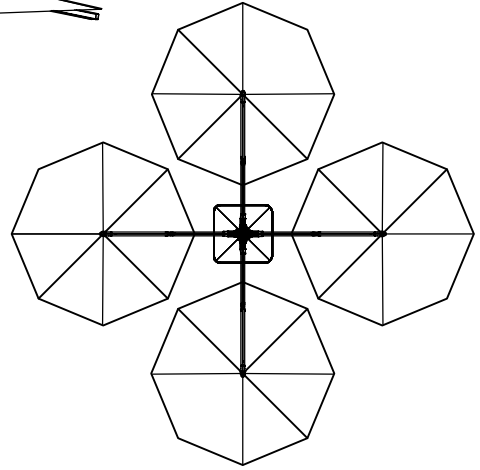


Fig 7



Fig 8