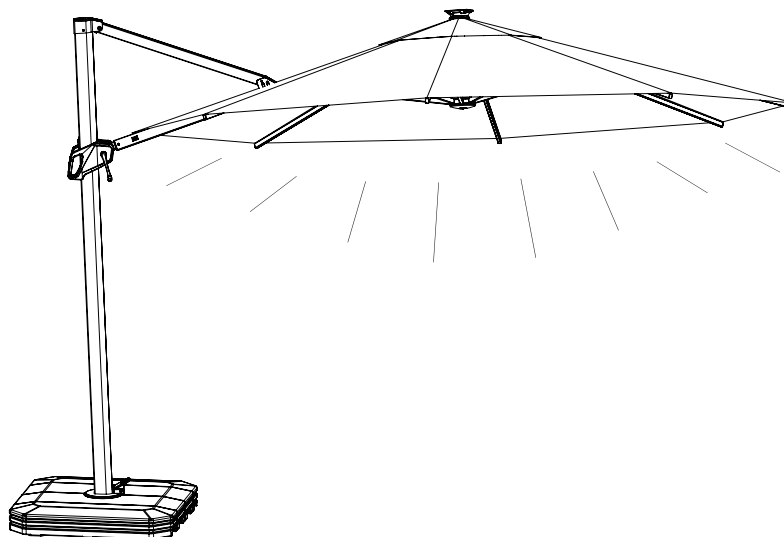




HARBOUR
L I F E S T Y L E

Assembly Instructions for Ares Parasol



www.harbourlifestyle.co.uk

If you have any questions or require additional support, please contact the team at customerservices@harbourlifestyle.co.uk. Alternatively you can contact us via telephone on **01223 626006**.

ITEM DESCRIPTION

QUANTITY

COMPONENTS

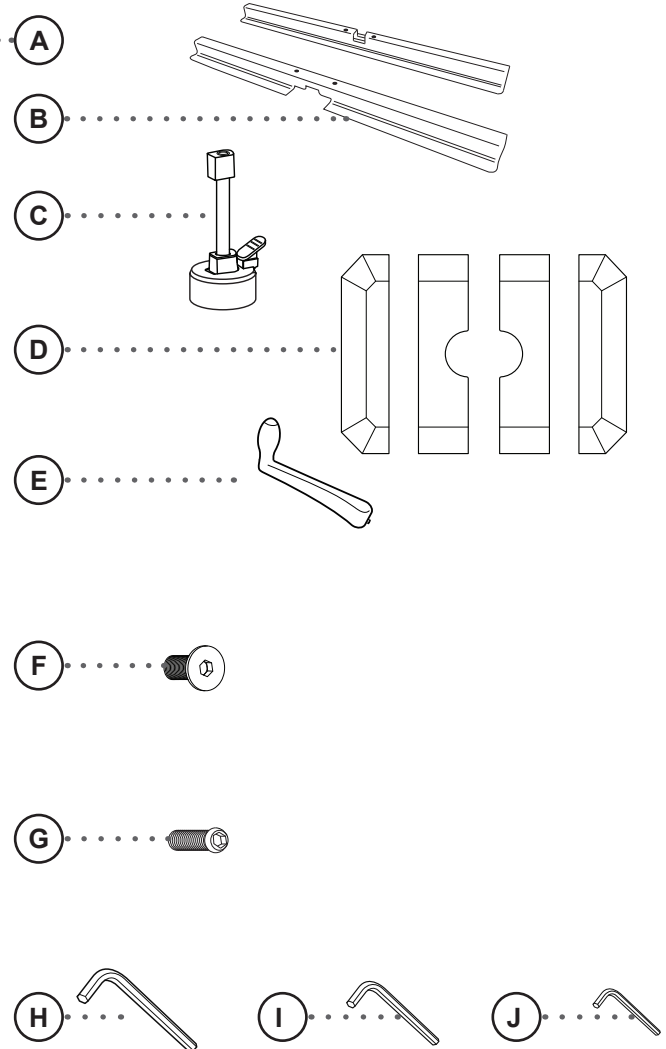
| | | |
|---|----------------------------|-------|
| A | umbrella frame with canopy | 1 pc |
| B | base frame | 2 pcs |
| C | rotation component | 1 pc |
| D | base reservoir | 4 pcs |
| E | crank handle | 1 pc |

HARDWARE

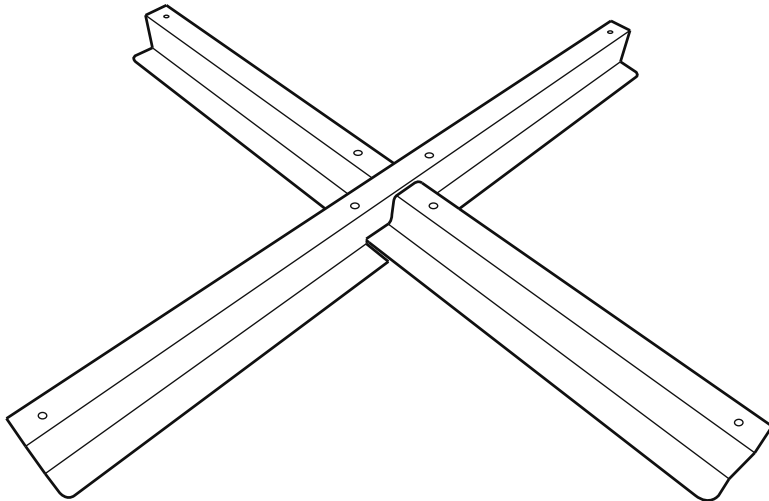
| | | |
|---|---------|-------|
| F | M8 bolt | 4 pcs |
| G | M6 bolt | 1 pc |

TOOLS

| | | |
|---|--------------|------|
| H | #5 hex key | 1 pc |
| I | #4 hex key | 1 pc |
| J | #2.5 hex key | 1 pc |

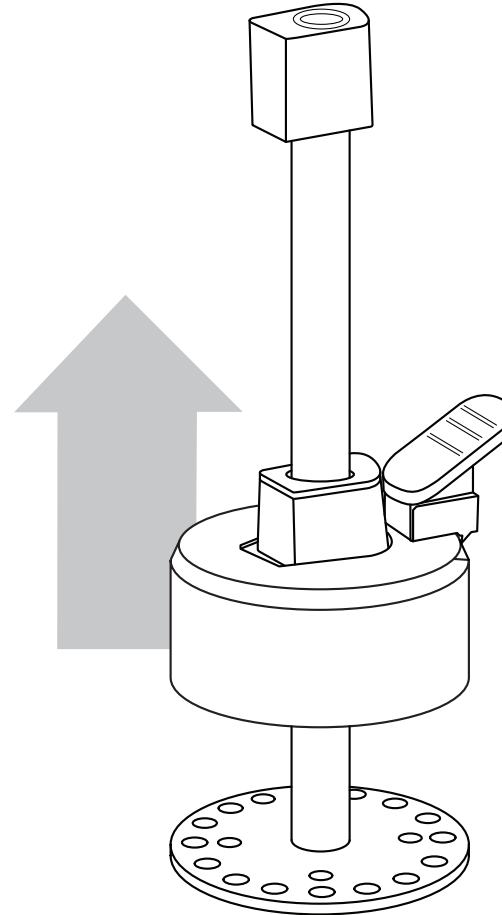


step 1.



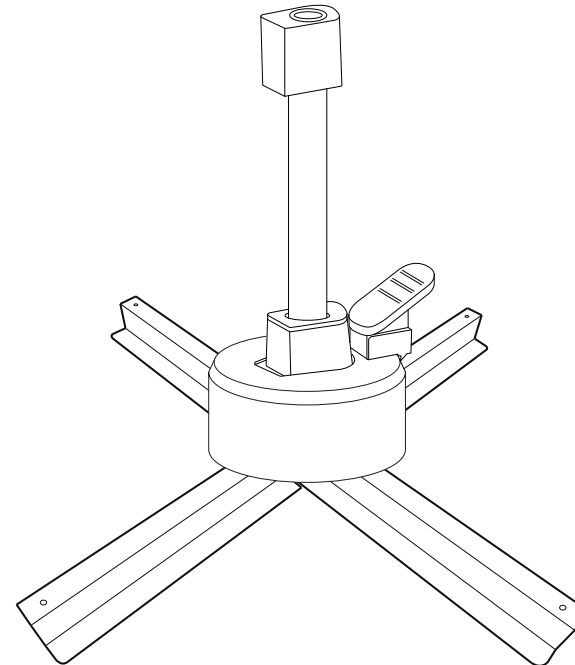
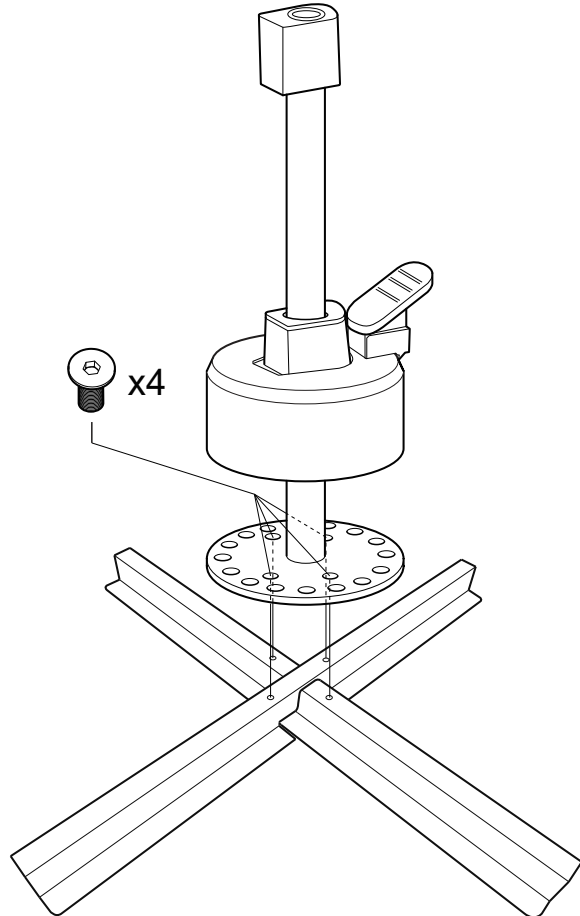
1. Assemble the base frame pieces (B) into an "X" as shown by lining up their middle cutouts.

step 2.



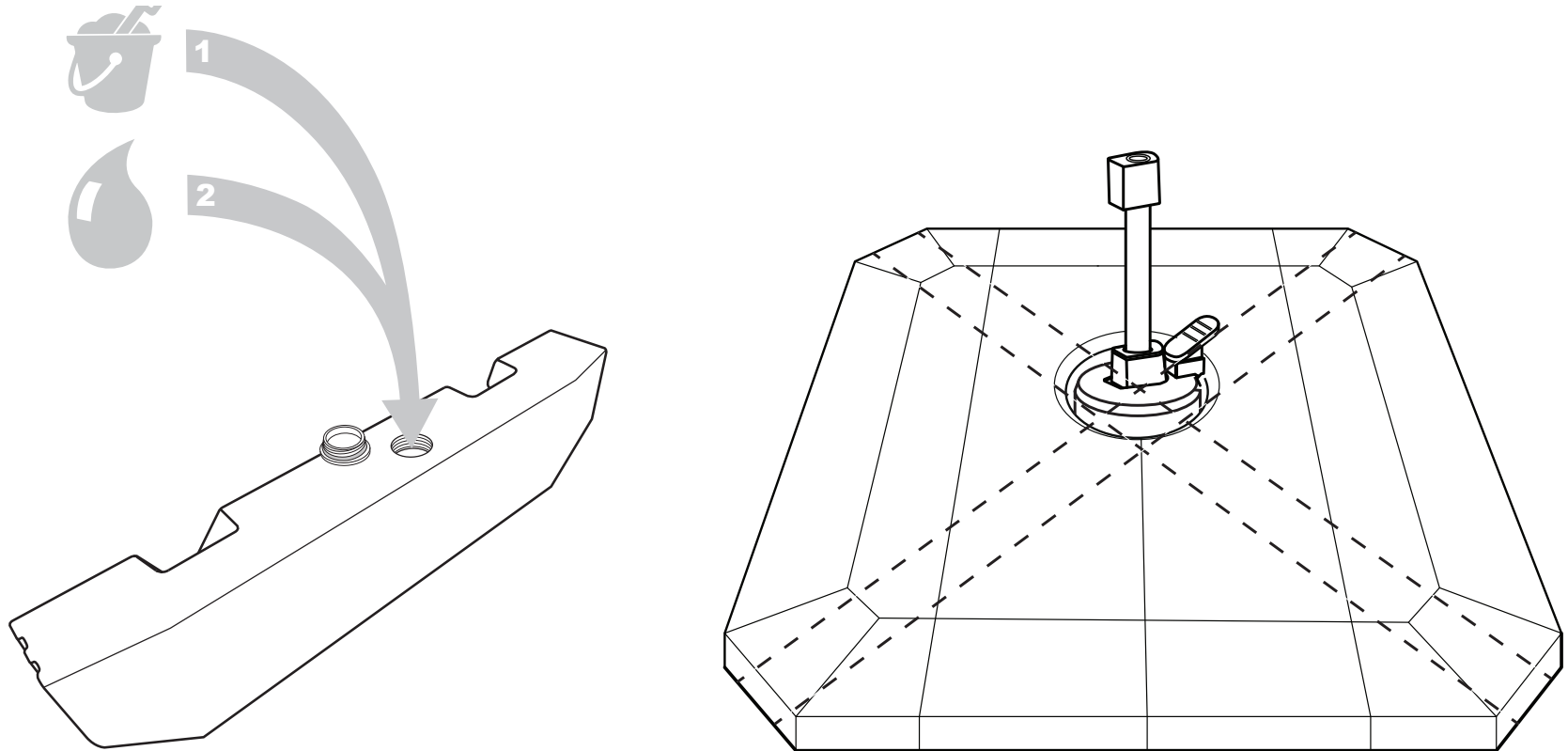
1. Lift the outer housing of the rotation component (D) to reveal the mounting plate on its bottom.

step 3.



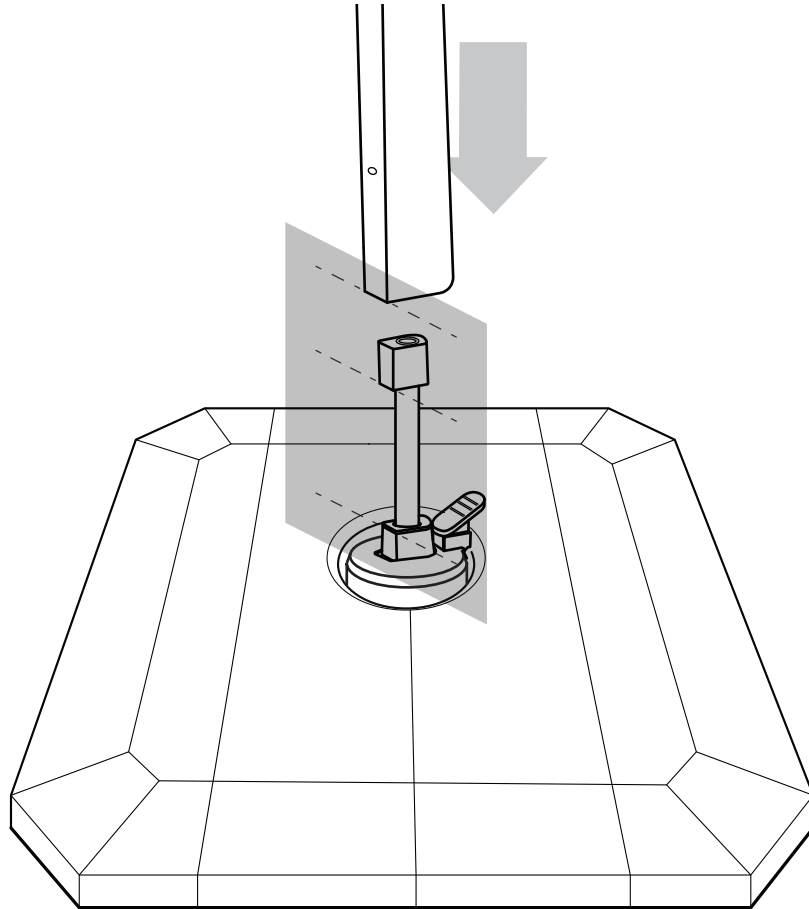
1. Place the rotation component (C) on to the frame assembly (B). Align the four holes on the frame assembly to the inner set of holes on the plate of the rotation component.
2. Thread an M8 bolt (F) from the top of the plate of the rotation component into the base. Tighten with #5 hex key (H). Repeat this step for all four holes.

step 4.



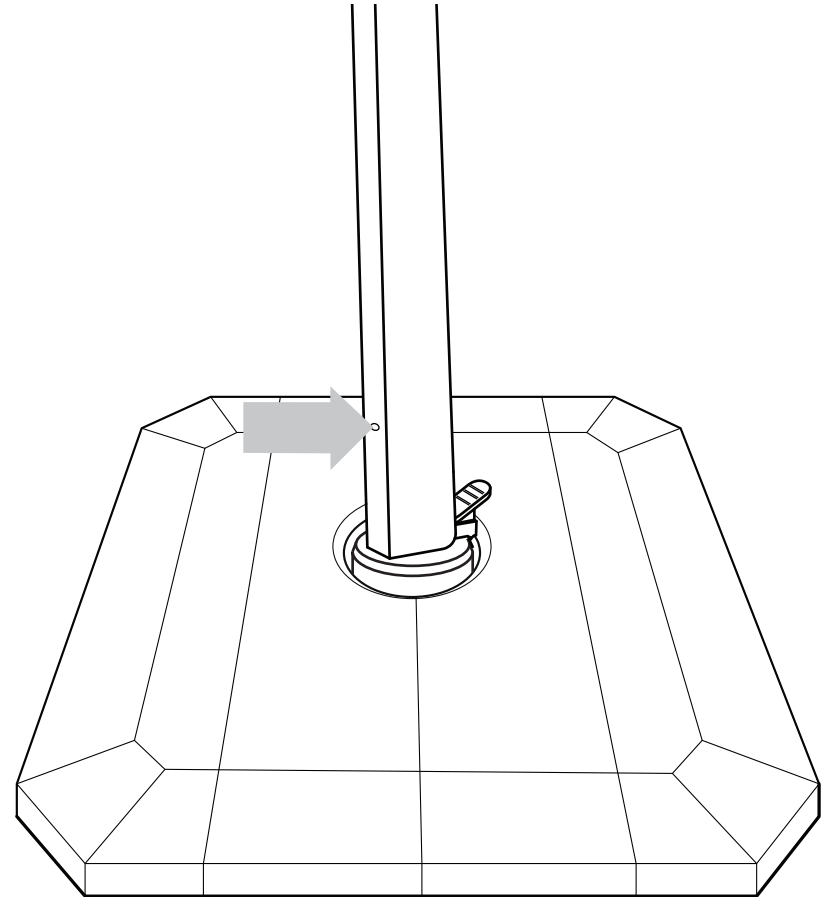
1. For each of the four base reservoirs (D), turn the reservoir on its side to reveal the cap. Unscrew the cap and fill the reservoir with dry sand. You may need to rock the component to settle the sand to fill it completely.
2. Once the component is filled completely with sand, then slowly fill with water to allow the water to soak into the sand. Fill completely, then screw the cap back in place. You may notice some leaking when the component is not in its natural position which should stop when it is upright.
3. Place the base assembly where you intend to place your umbrella, then put the four base reservoirs on top of the base assembly as illustrated.

step 5.



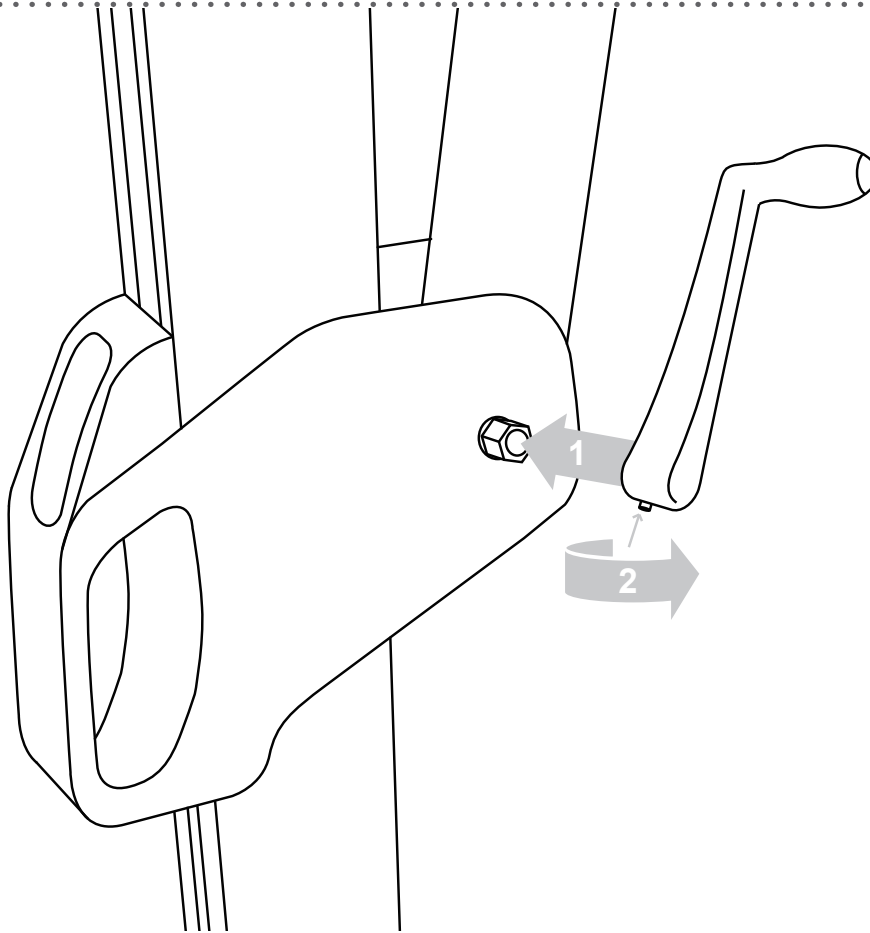
1. Align the flat edges on the rotation component with the main poles of the umbrella frame.
2. Keeping the flat edges aligned, slide the frame down onto the rotation component.

step 6.



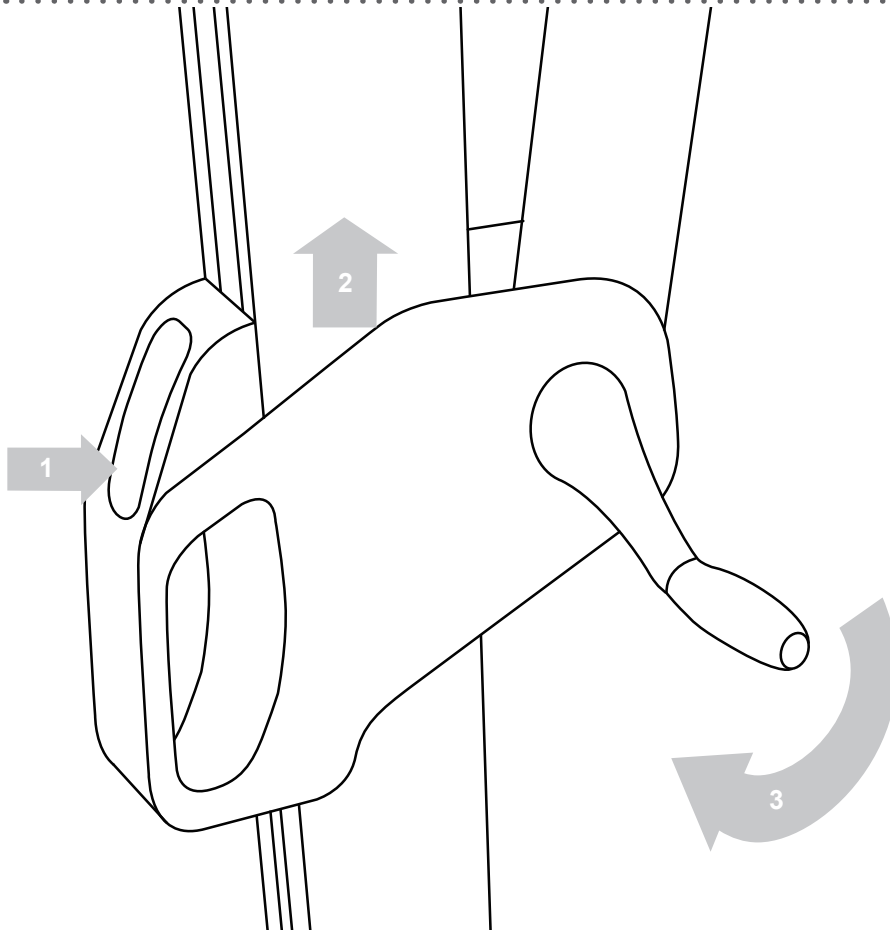
1. Secure using 1x M6 bolt (G) and tighten with the #4 hex key (I).

step 7.



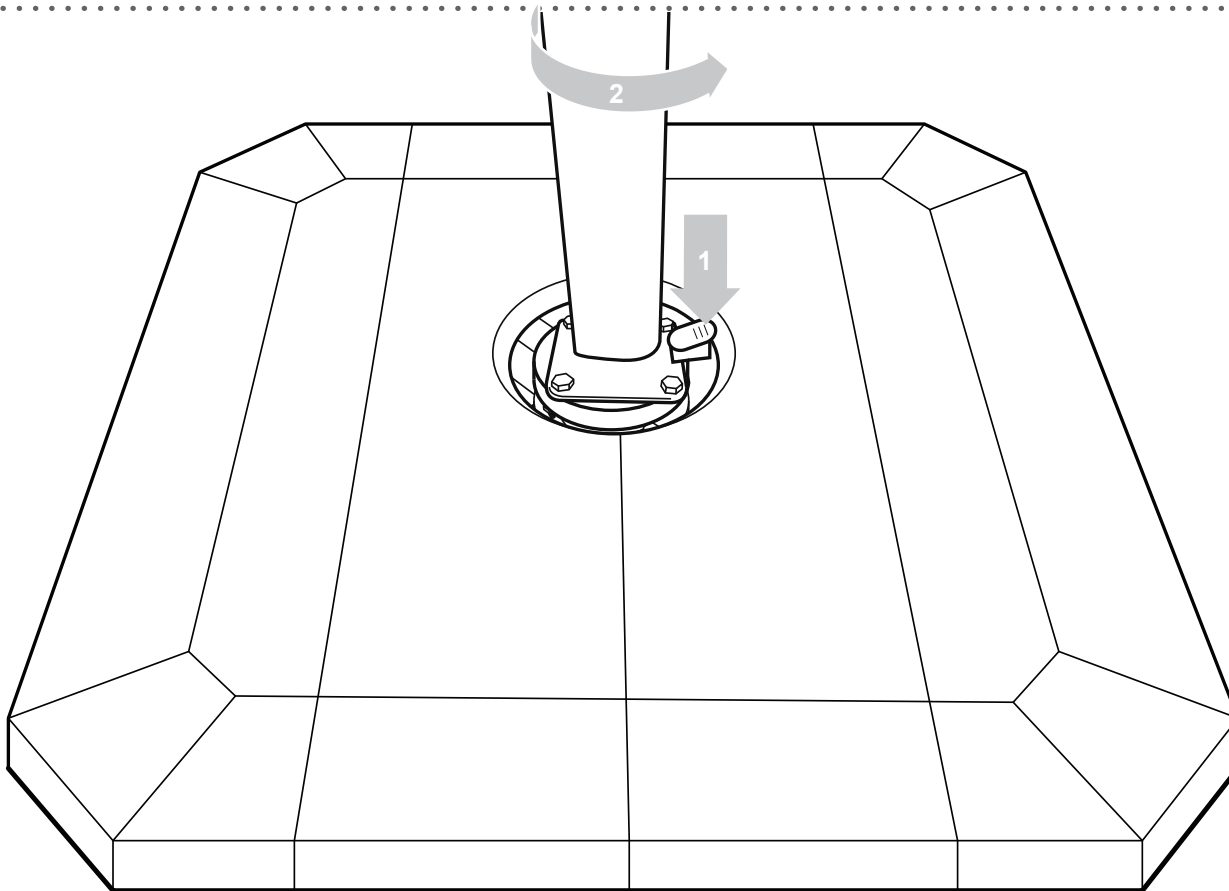
-
1. Push the crank handle (E) over the crank nut on the umbrella frame.
 2. Use the #2.5 hex key (J) to tighten the crank handle into place.

opening and tilting



-
1. Press the handle button in fully.
 2. While the button is fully pressed, slide the handle up the frame to extend the canopy arm. Release the button at the desired position.
 3. Crank the handle to open/close the canopy.
 4. To adjust tilt, press the handle button then slide the handle up/down the frame until the desired angle is achieved.

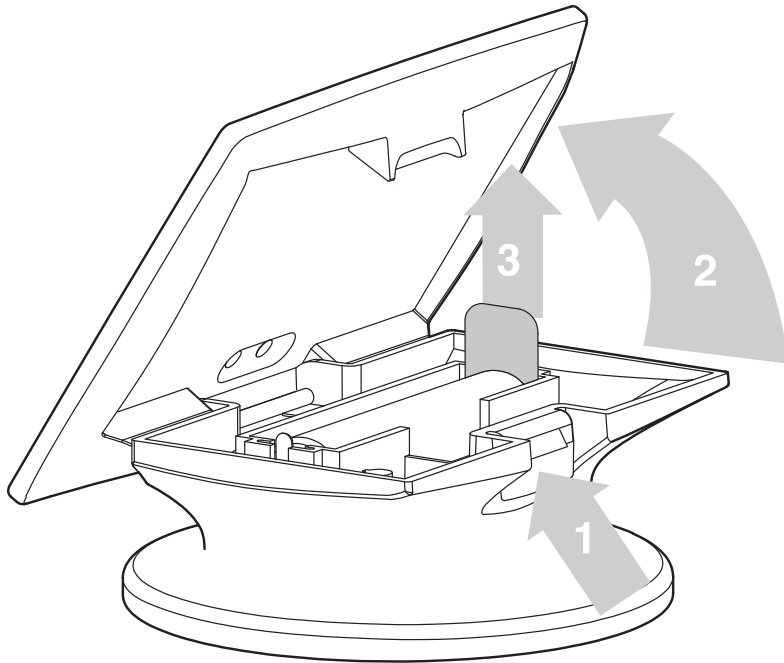
rotating



Use caution when rotating an open umbrella. Ensure ample clearance prior to rotating.

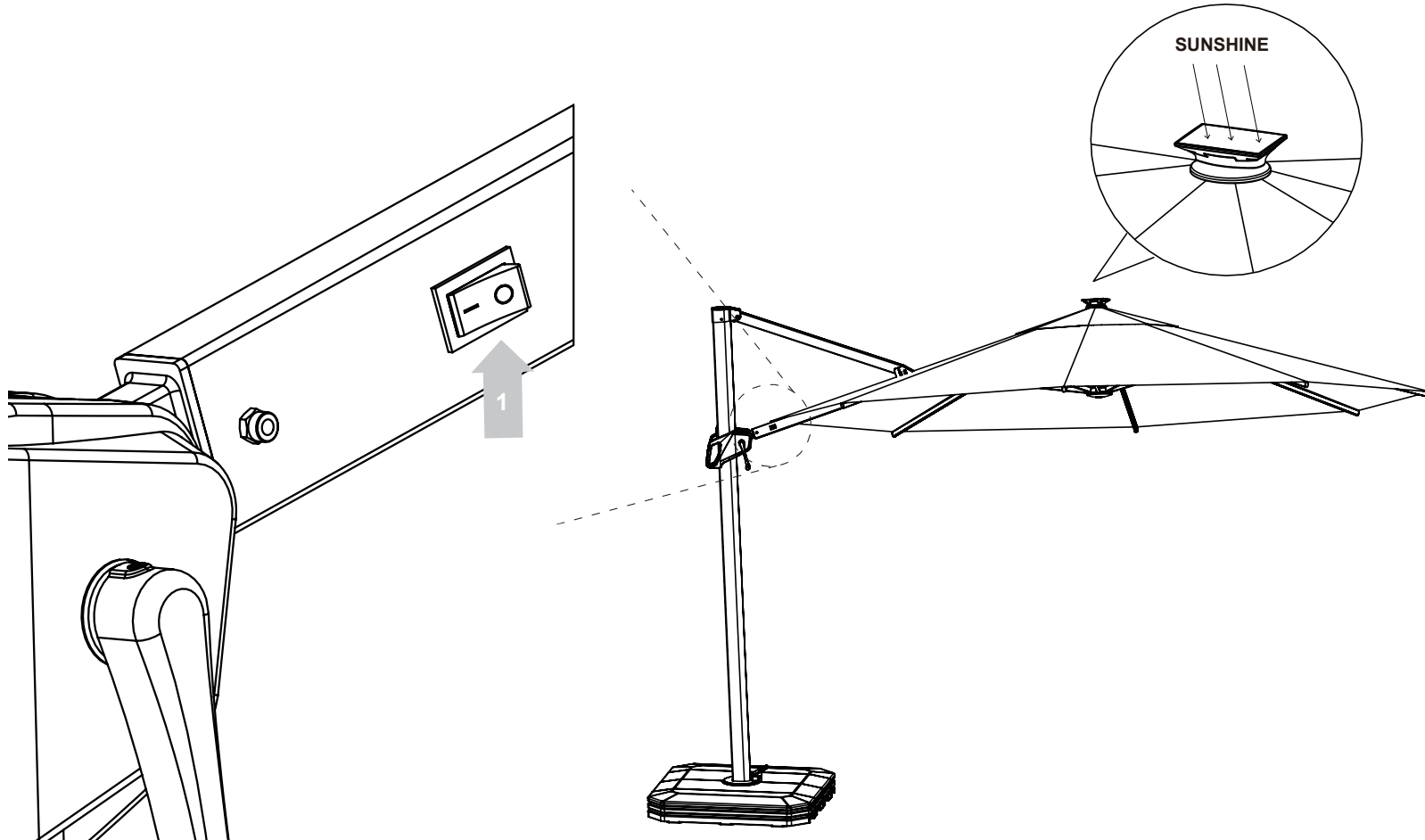
1. Step on the rotation pedal to unlock the umbrella from the base.
2. Carefully rotate the umbrella while checking for obstructions.
3. Release the rotation pedal to lock the umbrella into place.

led



-
1. Press the button on the side of the finial.
 2. Open the solar panel cover
 3. Remove the plastic piece from the battery compartment and close the cover.

turn on / off



1. To turn on lights, press the switch above the crank handle.
Note that charging may be required prior to use.