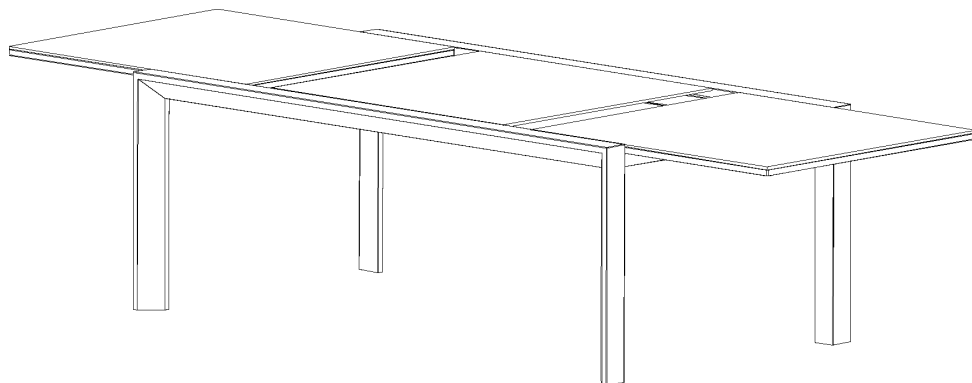




HARBOUR
L I F E S T Y L E

Assembly Instructions for Extending Table

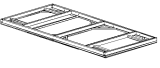
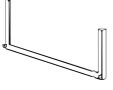






www.harbourlifestyle.co.uk

If you have any questions or require additional support, please contact the team at customerservices@harbourlifestyle.co.uk. Alternatively you can contact us via telephone on **01223 626006**.

Assembly instructions

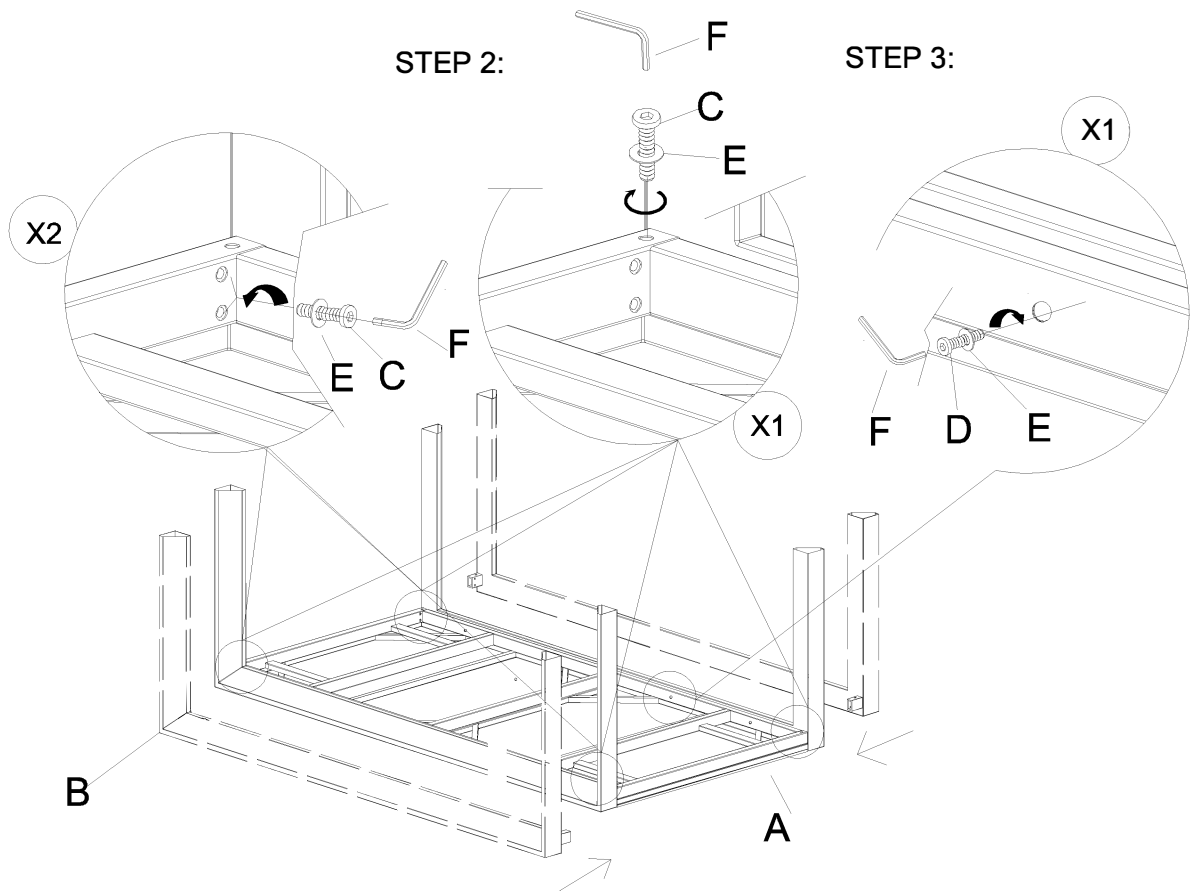
PARTS LIST :

Ax1 	Bx2 	Cx12 1/4x15 	Dx8 1/4x35 	Ex20 Ø16*6.5 	Fx1 
TABLE TOP	RETREAT	BOLT	BOLT	METAI WASHER	ALLEN WRENCH

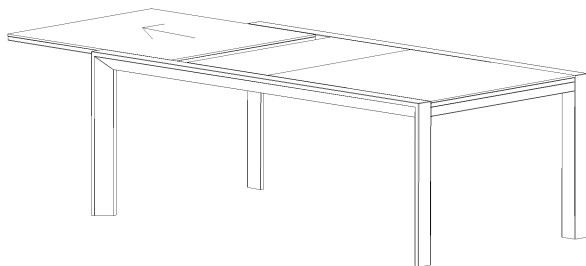
STEP 1:

STEP 2:

STEP 3:



STEP 1:



STEP 2:

