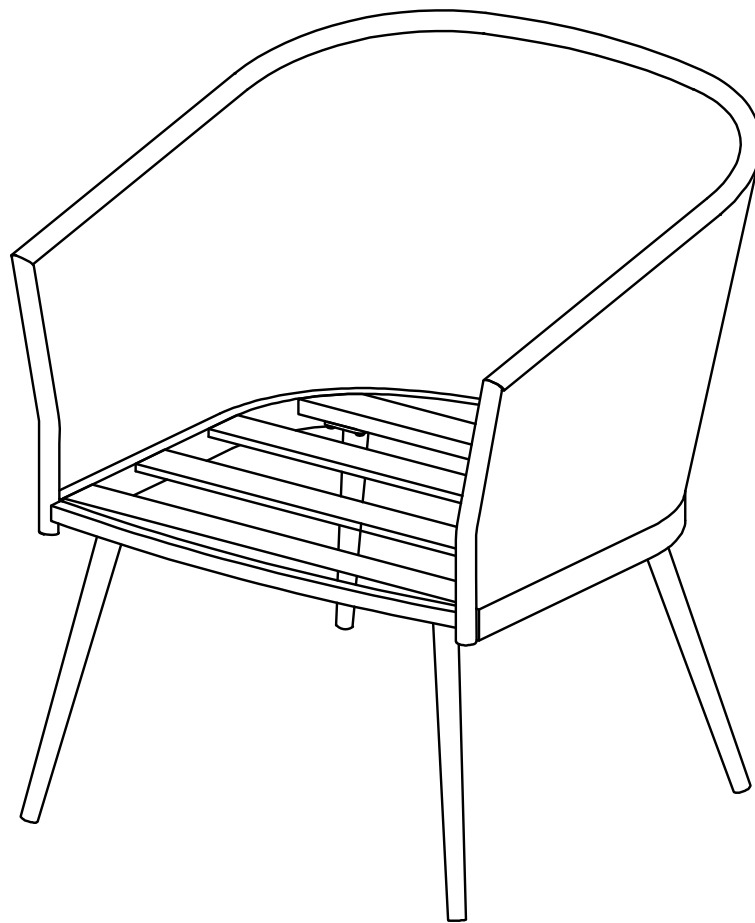




HARBOUR  
L I F E S T Y L E

## Assembly Instructions for Monterrey & Palma Dining Chair

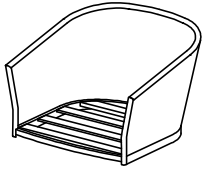


[www.harbourlifestyle.co.uk](http://www.harbourlifestyle.co.uk)

If you have any questions or require additional support, please contact the team at [customerservices@harbourlifestyle.co.uk](mailto:customerservices@harbourlifestyle.co.uk). Alternatively you can contact us via telephone on **01223 626006**.

# Assembly Instructions

A



1PC

B



2PCS

D



2PCS

F



1/4\*20mm

12PCS

G



$\phi 6 * \phi 18$

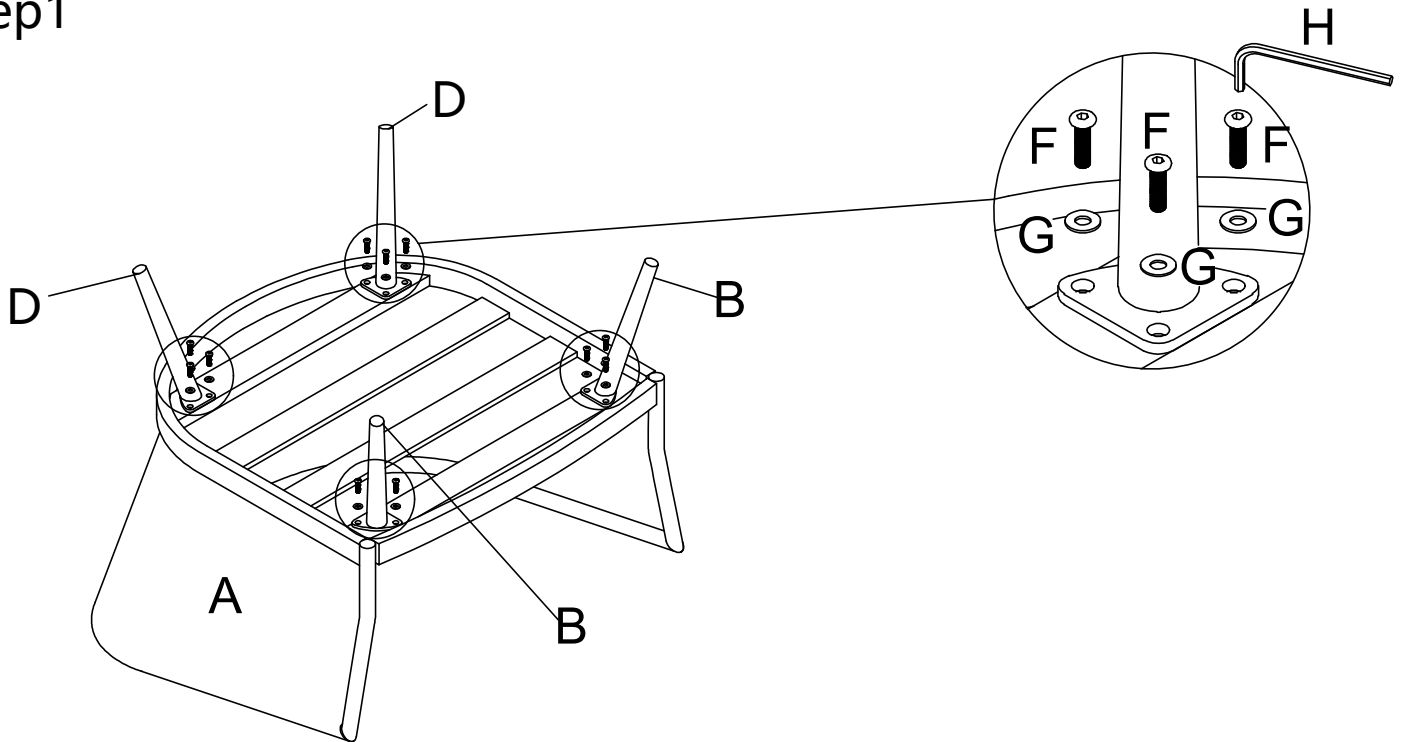
12PCS

H

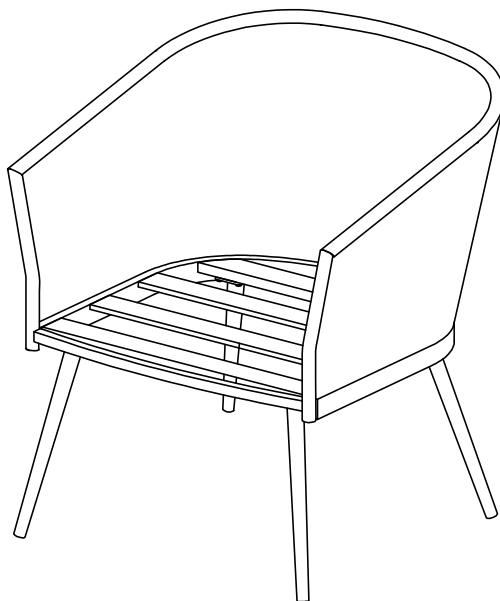


1PC

step1



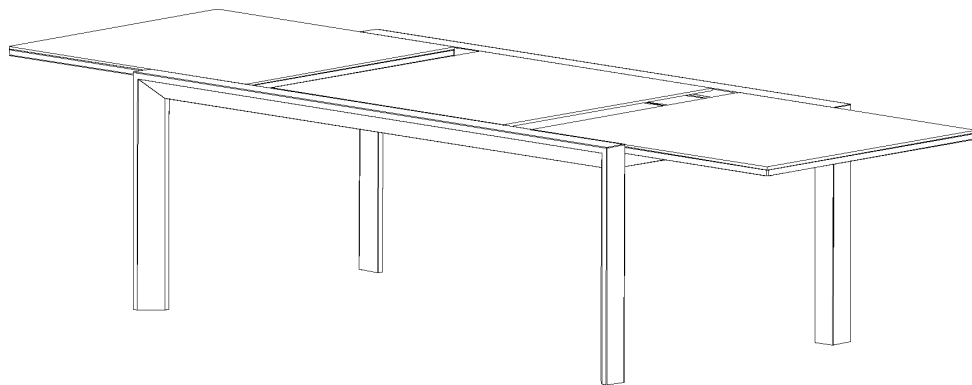
step2





HARBOUR  
L I F E S T Y L E

# Assembly Instructions for Extending Table

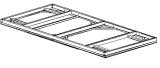
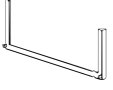






[www.harbourlifestyle.co.uk](http://www.harbourlifestyle.co.uk)

If you have any questions or require additional support, please contact the team at [customerservices@harbourlifestyle.co.uk](mailto:customerservices@harbourlifestyle.co.uk). Alternatively you can contact us via telephone on **01223 626006**.

# Assembly instructions

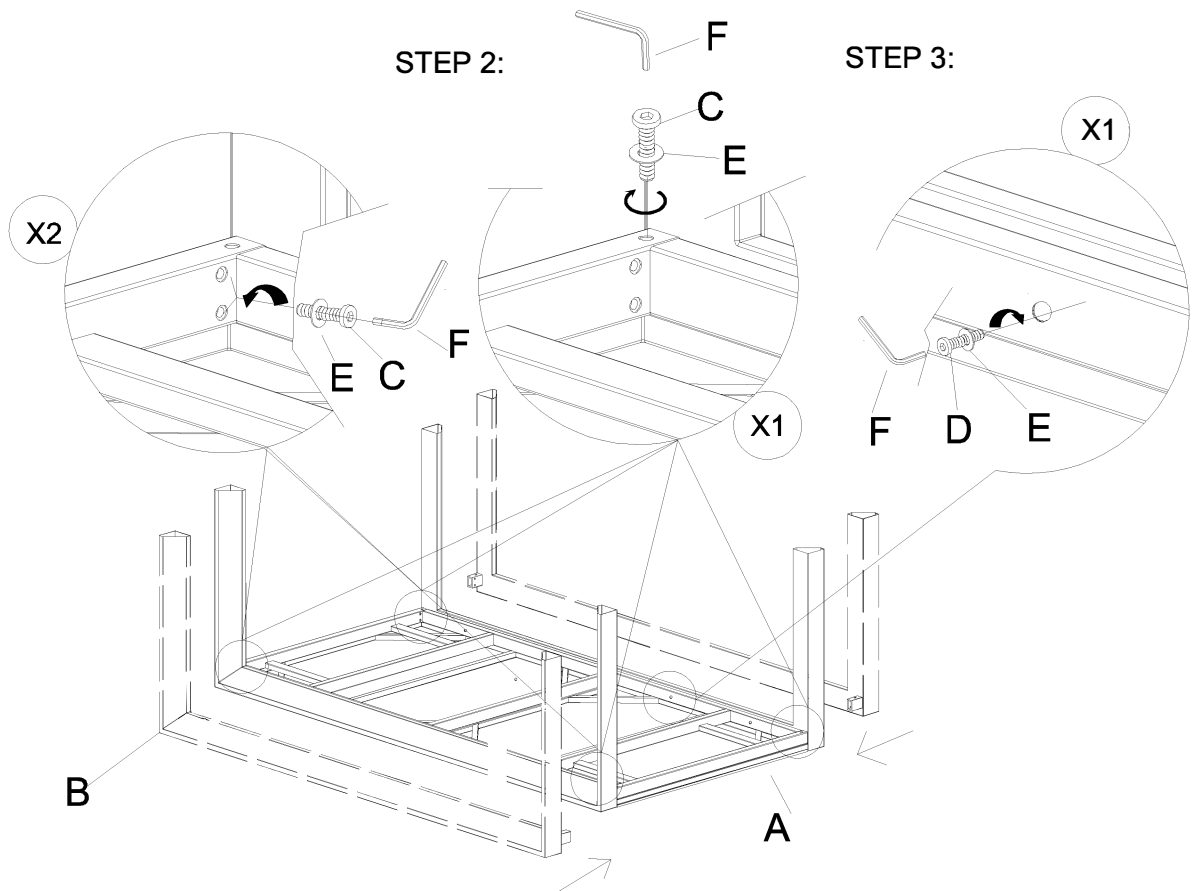
## PARTS LIST :

Ax1 	Bx2 	Cx12 1/4x15 	Dx8 1/4x35 	Ex20 Ø16*6.5 	Fx1 
TABLE TOP	RETREAT	BOLT	BOLT	METAI WASHER	ALLEN WRENCH

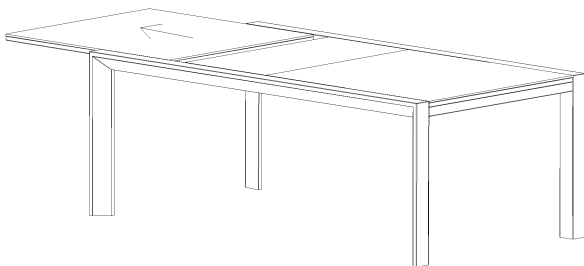
STEP 1:

STEP 2:

STEP 3:



STEP 1:



STEP 2:

