

JOB AE499-503
STREETLITE MIDIBUS - 9.5M -
MISTRAL

SUB ASSEMBLY	DESCRIPTION
W00-00014	STEERING - FORWARD AXLE
W00-00017	ENGINE - CUMMINS 4 CYL / SAE 2 FLYWHEEL
W00-00028	AIR INTAKE SYSTEM - CUMMINS
W00-00032	CONTROLS - FORWARD AXLE
W00-00039	FA BATTERIES
W00-00069	DRIVESHAFT 138KW RATED
W00-00076	AXLES - 4.1 RATIO / 17.5
W00-00080	FUEL SYSTEM FA VARIANT - PRODUCTION
W00-00102	WHEEL & TYRE ASSY - CONTI STEEL / R17.5
W00-00107	TRANSMISSION VOITH D823.3E
W00-00109	BRAKES - COMMON 9.5 MIDI
W00-00110	SUSPENSION - COMMON FA
W00-00111	BRAKES - FA 9.5
W00-00115	DIGITAL TACHOGRAPH - MOCK UNIT
W00-00131	COOLING SYSTEM SWAGED PIPES 4 CYL
W01-00518	N/S FRAME 9.5M MIDIBUS SINGLE DOOR
W01-00519	O/S FRAME 9.5M MIDIBUS SINGLE DOOR
W02-00203	9.5M MIDIBUS ROOF FRAME - BASIC ASSEMBLY
W03-00068	INTEGRAL MIDI 9.5M MODULAR FRONT FRAME
W04-00052	REAR FRAME - BASIC ASSEMBLY INT. MIDI
W05-00506	UNDERFRAME - MANUAL RAMP FRAME
W05-00557	UNDERFRAME - INTEGRAL BUS FRAME 9.5
W06-00156	ERECTION - BASIC ASSEMBLY MIDIBUS 9.5M
W07-00526	HEATING - BASIC ASSEMBLY - 9.5 CUMMINS
W07-00539	HEATING - BODY INSULATION 9.5
W08-00536	ENTRANCE DOOR - COMMON PARTS
W08-00538	EMERGENCY DOOR - BASIC ASSEMBLY
W08-00563	INTEGRAL MIDI 9.5M FE ENTRANCE DOOR
W08-00623	MIDIBUS ENT DOOR SHELF PLATE FINISHER
W08-00645	DOOR - MIDIBUS ENTRANCE DOOR SHELF PLATE
W08-00671	DOORS - 'B' PILLAR DOOR POLE GUARD
W09-00677	FLOOR - FIBREGLASS MINI
W09-00683	FLOOR MED DURABILITY PLYWOOD CLASS2 9.5
W09-00800	FLOOR - MIDI BATTERY BOOST ASSEMBLY
W09-00838	FLOOR - BASIC ASSEMBLY - 9.5
W10-00331	EXTERIOR FRONT - W LOGO INSERTS
W10-00333	MIDIBUS MINI EXTERIOR FRONT
W10-00335	EXTERIOR FRONT - HEADLIGHTS

JOB AE499-503
STREETLITE MIDIBUS - 9.5M -
MISTRAL

SUB ASSEMBLY	DESCRIPTION
W10-00343	EXTERIOR FRONT - MIDIBUS WIPER SYS ASSY
W10-00344	EXT. FRONT - MIDIBUS WASHER BOTTLE ASSY
W10-00349	EXTERIOR FRONT - MIRRORS
W10-00379	MIDI MODULAR FRONT BASIC ASSEMBLY
W11-00098	EXT. REAR - SINGLE TONE REVERSE BLEEPER
W11-00360	EXTERIOR REAR - COMMON PARTS
W11-00361	EXTERIOR REAR - FIBREGLASS PARTS
W11-00371	EXTERIOR REAR - BOOT DOOR
W11-00395	EXTERIOR REAR - SERVICE HATCH DOOR
W12-00426	SHEETMETAL - BMAC - LED INDICATORS
W12-00427	EXTERIOR FRONT SIDE OUTLINE MARKER LAMPS
W12-00431	MIDIBUS ALTERNATOR AIR INTAKE PARTS
W12-00436	MIDIBUS AD BLUE COWL PLASTIC TANK
W12-00497	SHEETMETAL MIDIBUS 9.5M VARIANT
W13-00194	INT FRONT - TICKET MACHINE PLUG & SOCKET
W13-00470	INTERIOR FRONT - DOUBLE LICENSE HOLDER
W13-01003	INTERIOR FRONT - 1M SUNBLIND
W13-01766	INT FRONT - INTEGRAL MOBITECH DEST SIGNS
W13-01887	INTERIOR FRONT - MIDIBUS MASTER SWITCH
W13-01898	FIRE EXTINGUISHER MIDI DRIVERS PARTITION
W13-01923	INT FRONT - CAB DOOR NON ASSAULT RAL7015
W13-01969	INTERIOR FRONT - SIDE CONSOLE COVER
W13-01970	INTERIOR FRONT - MIDI DWP ASSEMBLY
W13-02036	INTERIOR FRONT - TICKET PED ASSEMBLY
W13-02051	INTERIOR FRONT - GRP MINI GREY RAL 7015
W14-03024	INTERIOR - CAPPINGS MIDI 9.5M
W14-03076	INTERIOR - SALOON LIGHT, MIDI 9.5M TUBES
W14-03135	INT - MIDIBUS REAR BULKHEAD RAL 7046
W14-03172	INTERIOR - DRIVERS SEAT-KAB T4/MAMMUT
W14-03174	INTERIOR - DRIVERS PARTITION MIDIBUS
W14-03199	INTERIOR - STEP EDGING DDA REQ, 9.5M
W14-03205	INTERIOR - FLOOR COVERING, 9.5M MIDIBUS
W14-03208	INTERIOR - ROOF COVES & DUCTS, MIDI 9.5M
W14-03234	INT - MIDIBUS TFT / STOPPING SIGN GLASS
W14-03237	INTERIOR - SIDE LININGS, FORMICA BERRY
W14-03238	INTERIOR - CENTRE ROOF LININGS
W14-03250	INTERIOR - SEATS - MIDI 9.5M /CUS-02243
W14-03315	INTERIOR - BUS STOPPING SIGN BACKLIT RED

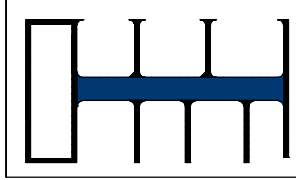
JOB AE499-503
STREETLITE MIDIBUS - 9.5M -
MISTRAL

SUB ASSEMBLY	DESCRIPTION
W14-03390	INTERIOR - HANDRAILS - WB-MIDI/CUS-2243
W14-03502	INTERIOR - DRIVERS COAT HOOK & STRAP
W15-00446	GLAZING - WINDSCREEN STANDARD
W15-00464	GLAZING BASIC ASSEMBLY 9.5 GREEN 4MM S/G
W15-00480	GLAZING - INTG MIDIBUS DSU MINI VARIANT
W16-00662	FINISHING - COMMON PARTS - 9.5M MINI
W16-00663	PAINT TO SPEC - 9.5M MINI - STOCK LIVERY
W16-00664	FINISHING - LABELS - MINI 9.5M STOCK
W17-00321	ELECTRICAL - MIDI BASIC ASSEMBLY
W17-00344	ELECTRICAL - FA ADD WIRING HARNESS PARTS
W17-00361	ELECTRICAL - STANDARD FUSE KIT
W99-00001	COMMON OPS FOR ROUTE CONFIG

INDEX

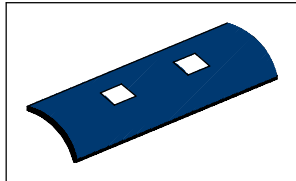
Sideframes
Assembly

01



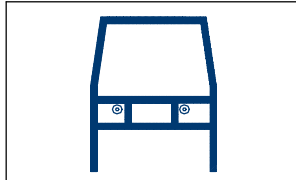
Roof
Assembly

02



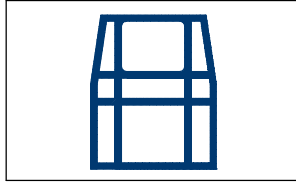
Front Frame
Assembly

03



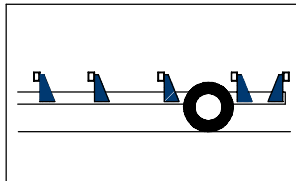
RearFrame
Assembly

04



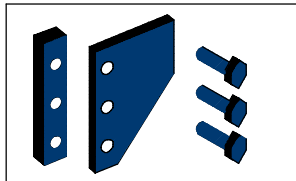
Chassis
Fitting

05



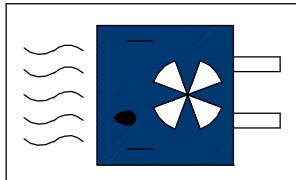
Erection

06



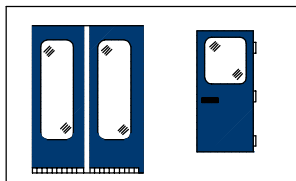
Heaters

07



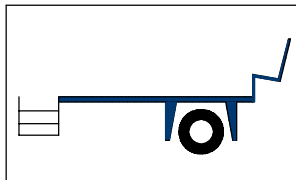
Doors

08



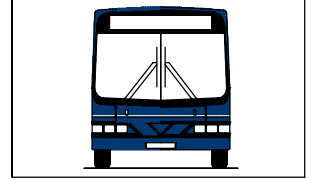
Flooring

09



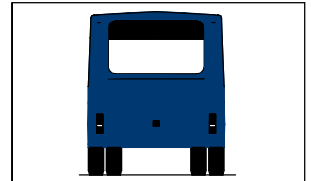
Exterior
Front end

10



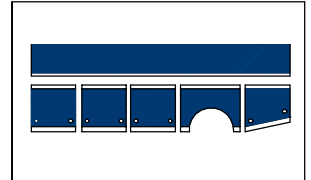
Exterior
Rear end

11



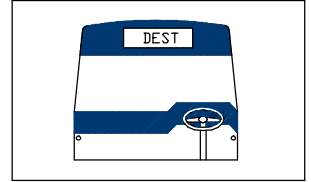
Sheetmetal
Assembly

12



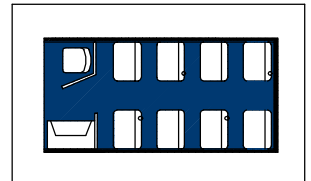
Interior
Front Dash &
Destination Equipment

13



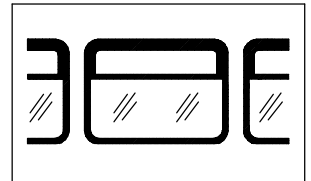
Interior

14



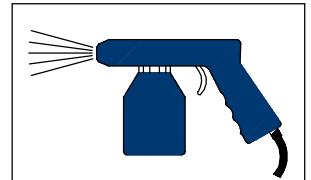
Glazing

15



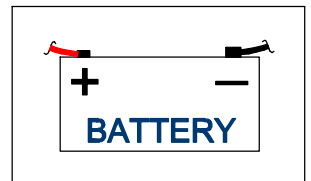
Finishing

16



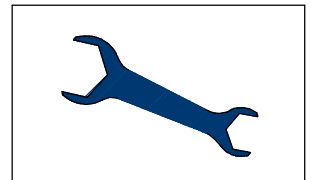
Electrical

17



Service
&
Repair

18



W00-00014

STEERING - FORWARD AXLE

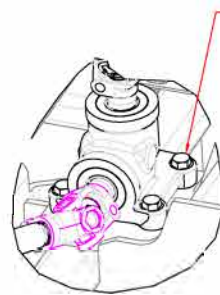
Stock Number	Description	Quantity
PSV/65/364	PARKER KIT POWER STEERING	1.00
PSV/65/355	STEERING SYS RESERVOIR TO PUMP HOSE ASSY	1.00
PSV/65/366	MIDI HYDRAULIC PUMP INLET PORT FITTING	1.00
PSV/65/892	22MM I.D. HYDRAULIC HOSE	0.75
PSV/65/367	MIDI FAN DRIVE PUMP INLET HOSE FITTING	1.00
PSV/65/357	HYDRAULIC PUMP TO STEERING FCV	1.00
PSV/39/555	7/8" -14 UNF MALE TO EO 24 Deg CONE END	1.00
PSV/65/372	M16 TO 12mm EO 24Deg CONE MALE STUD CONN	1.00
PSV/65/371	12mm EO 24Deg CONE END HYDRAULIC FITTING	1.00
PSV/39/557	EO 24Deg CONE END SWIVEL NUT ELBOW	1.00
PSV/65/888	1/2" ID HYDRAULIC HOSE ISO 11237-1	0.56
PSV/65/390	15mm EO 24Deg CONE END HYDRAULIC FITTING	1.00
PSV/65/359	FCV BYPASS TEE TO STEERING RESERVOIR	1.00
PSV/65/379	CHASSIS HYDRAULIC PARTS	1.00
PSV/65/380	FEMALE 18mm EO 24Deg CONE TO 5/8" HOSE	1.00
PSV/65/891	5/8" ID HYDRAULIC HOSE ISO 1426-1	0.90
PSV/65/361	HOSE ASSY, STEERING FCV TO 15mm OD PIPE	1.00
PSV/65/381	M16 TO 12mm EO 24Deg MALE STUD CONNECTOR	1.00
PSV/65/382	15mm TO 12mm REDUCER 24Deg CONE END	1.00
PSV/65/383	12mm EO 24Deg FEMALE 90Deg x 1/2" HOSE	1.00
PSV/65/384	12mm EO Deg FEMALE STRAIGHT TO 1/2" HOSE	1.00
PSV/65/888	1/2" ID HYDRAULIC HOSE ISO 11237-1	0.34
PSV/65/362	STEERING FCV TANK PORT TO BYPASS TEE	1.00
PSV/65/381	M16 TO 12mm EO 24Deg MALE STUD CONNECTOR	1.00
PSV/65/383	12mm EO 24Deg FEMALE 90Deg x 1/2" HOSE	1.00
PSV/65/384	12mm EO Deg FEMALE STRAIGHT TO 1/2" HOSE	1.00
PSV/65/027	12mm EO 24Deg TO 3/4" NPT MALE CONNECTOR	1.00
PSV/65/888	1/2" ID HYDRAULIC HOSE ISO 11237-1	0.38
PSV/65/028	3/4-14 NPT TO 15mm EO 24Deg STUD CONNECT	1.00
PSV/65/385	FEMALE 3/4" NPTF TEE	1.00
PSV/27/237	CHASSIS HYDRAULIC OIL RESERVOIR	1.00
PSV/39/556	M18x1.5 TO 15mm OD S/STEEL PIPE FITTING	2.00
PSV/62/542	VOITH GEARBOX OIL	10.00
PSV/65/394	IFS- BEARING GREASE	0.50
PSV/65/429	RHD FWD AXLE POWER STEERING BOX ASSEMBLY	1.00
PSV/65/449	PITMAN ARM	1.00
PSV/65/473	MIDI FA STEERING BOX CW BEVEL BOX	1.00
PSV/40/078	IMIDI FA STEERING RELAY ASSEMBLY	1.00
PSV/65/466	IMIDI FA STEERING RELAY NEAR SIDE	1.00
PSV/65/467	IMIDI FA STEERING RELAY OFFSIDE	1.00
PSV/65/029	MIDI STEERING PIVOT PIN BEARING SPACER	2.00
PSV/40/098	MIDI STEERING PIVOT PIN DUST CAP	2.00
PSV/65/472	MIDI STEERING TIMKEN BEARING	4.00
PSV/65/474	MIDI FA STEERING PIN BEARING SEAL	4.00
PSV/65/475	IMIDI FA STEERING RELAY PIVOT PIN COLLAR	2.00
PSV/65/030	MIDI STEERING PIVOT PIN GREASE PORT BUSH	2.00
PSV/40/099	SPLIT PIN DIA 4mm X 63mm LG	2.00
PSV/65/478	MIDI FA STEER RELAY BEARING SPACER SHORT	2.00
PSV/65/479	MIDI FA STEER RELAY BEARING SPACER LONG	2.00

W00-00014

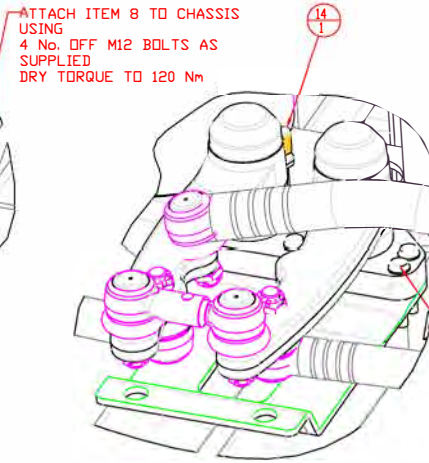
STEERING - FORWARD AXLE

Stock Number	Description	Quantity
PSV/65/484	MIDI STEERING RELAY PIN AND PLATE ASSY	1.00
PSV/65/469	IMIDI FA STEERING RELAY PIVOT PIN	2.00
PSV/65/480	IMIDI STEERING PIVOT PIN SUPPORT PLATE	1.00
PSV/65/530	STEERING RELAY SHIM 0.1mm	5.00
PSV/65/531	STEERING RELAY SHIM 0.2mm	5.00
PSV/65/716	M12 x 70 12.9 HEX HEAD BOLT	2.00
PSV/43/428	M14 x 70 HEX HD BOLT	4.00
PSV/65/038	M12 H/TENS. 10.9T NYLOCK NUT ZINC & CLR	2.00
PSV/63/035	M14 NYLOC NUT ZINC PLATED GRADE 10	4.00
PSV/43/671	M24 CASTLE NUT TO DIN 979	2.00
PSV/65/764	M14 WASHER DIN 6916	8.00
PSV/65/044	M12 WASHER DIN 6916	4.00
PSV/65/437	IMIDI FA STEERING TRACK ROD ASSEMBLY	1.00
PSV/65/468	IMIDI FA STEERING CENTRE TRACK ROD	1.00
PSV/65/470	IMIDI FA NS STEERING TRACK ROD	1.00
PSV/65/545	BALL JOINT	1.00
PSV/65/471	IMIDI FA OS STEERING TRACK ROD	1.00
PSV/65/545	BALL JOINT	1.00
PSV/65/438	IMIDI FA STEERING SHAFTS ASSEMBLY	1.00
PSV/65/476	MIDI 90 DEG STEERING BEVEL BOX	1.00
PSV/65/477	MIDI STEERING SLIDER SHAFT ASSEMBLY	1.00
PSV/65/544	MIDI FA STEERING INTERMEDIATE SLIDE SHFT	1.00
PSV/40/092	IMIDI FA STEERING DRAG LINK	1.00
PSV/40/099	SPLIT PIN DIA 4mm X 63mm LG	6.00
PSV/40/099	SPLIT PIN DIA 4mm X 63mm LG	2.00
PSV/40/111	STEERING SHAFT SLEEVE	1.00
PSV/65/031	IMIDI TANDEM HYD PUMP FLOW CONTROL VALVE	1.00
PSV/65/713	M12x30mm H.T. BOLT 12.9 GRADE ZINC & CLR	4.00
PSV/43/424	M20 X 35mm LG ZINC&NICKEL 10.9 HEX BOLT	3.00
PSV/43/425	M20 X 45mm LG ZINC&NICKEL 10.9 HEX BOLT	1.00
PSV/43/440	M16 x 2 x 80 HEX BOLT DIN 933 10.9	2.00

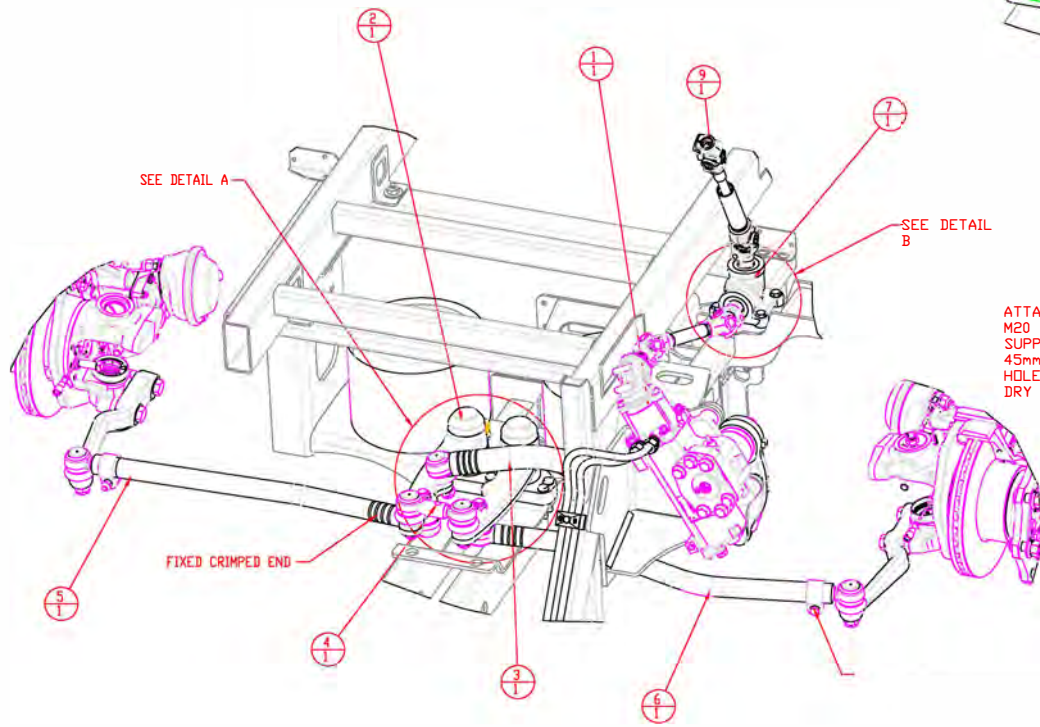
Index	Part No.	Compnt Type	Description	Qty
1	PSW/65/429	ASSEMBLY	RHD FWD AXLE POWER STEERING BOX ASSY	1
2	PSW/40/078	ASSEMBLY	IMIDI FA STEERING RELAY ASSEMBLY	1
3	PSW/40/092	PART	IMIDI FA STEERING DRAG LINK	1
4	PSW/65/468	PART	IMIDI FA STEERING CENTRE TRACK ROD	1
5	PSW/65/470	PART	IMIDI FA NS STEERING TRACK ROD	1
6	PSW/65/471	PART	IMIDI FA DS STEERING TRACK ROD	1
7	PSW/65/476	ASSEMBLY	MIDI 90 DEG STEERING BEVEL BOX	1
8	PSW/70/831	ASSEMBLY	MIDI STEERING INTERMEDIATE SHAFT ASSY	1
9	PSW/65/477	ASSEMBLY	MIDI STEERING SLIDER SHAFT ASSY	1
10	PSW/43/414	PART	M12 X 120 - 10.9GRD HEX BOLT	4
11	PSW/70/832	PART	M20 X 35mm LG ZINC&NICKEL 10.9 HEX BOLT	2
12	PSW/70/833	PART	M20 X 45mm LG ZINC&NICKEL 10.9 HEX BOLT	2
13	PSW/66/255	ASSEMBLY	HYDRAULIC PUMP SUPPORT BRACKET ASS'Y	1
14	PSW/70/834	PART	IMIDI STEERING SYSTEM SETTING TOOL	1



DETAIL B
SCALE
0.300

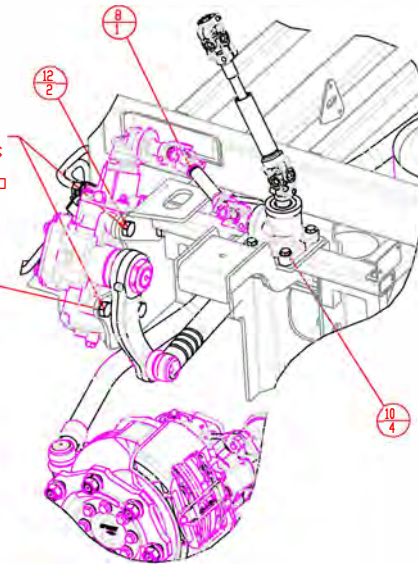


DETAIL A
SCALE 0.300
(SOME PARTS
PHANTOM
FOR CLARITY)



ATTACH ITEM 7 TO CHASSIS USING 2 No. OFF M20 X 35 AND 2 No. OFF M20 X 45 BOLTS AS SUPPLIED
45mm LONG BOLTS TO BE USED ON UPPER TWO HOLES
DRY TORQUE TO 600 Nm

ATTACH ITEM 1 TO CHASSIS USING 6 No. OFF M12 BOLTS AND NUTS AS SUPPLIED
DRY TORQUE TO 120 Nm



W00-00014
STEERING - FORWARD AXLE

W00-00017

ENGINE - CUMMINS 4 CYL / SAE 2 FLYWHEEL

Stock Number	Description	Quantity
PSV/65/350	Cummins ISBe5 120kW / SAE2	1.00
PSV/65/393	CUMMINS ENGINE OIL	20.00
PSV/62/543	ENGINE COOLANT	50.00
PSV/65/396	EXHAUST INLET PIPE FOR CEA-1	1.00
PSV/39/750	METALASTIC WASHER 139x24A 336100	2.00
PSV/65/397	EXHAUST OUTLET PIPE FOR CEA-1	1.00
PSV/17/377	V-BAND CLAMP 2.75" CUMMINS No 89571K	1.00
PSV/41/602	3.00" ACCUSEAL CLAMP CUMMINS No 900003A	1.00
PSV/65/406	ENGINE MOUNT WELD ASSEMBLY - UPPER	1.00
PSV/65/403	ENGINE MOUNT BRACKET	1.00
PSV/65/407	ENGINE MOUNT BRACKET	1.00
PSV/65/408	ENGINE MOUNT BRACKET	1.00
PSV/65/409	ENGINE MOUNT CAPTIVE BRACKET	2.00
PSV/65/413	ENGINE MOUNT WELD ASSEMBLY - UPPER	1.00
PSV/65/403	ENGINE MOUNT BRACKET	1.00
PSV/65/414	ENGINE MOUNT BRACKET	1.00
PSV/65/415	ENGINE MOUNT BRACKET	1.00
PSV/10/765	Prestolite Heavy Duty Relay	1.00
PSV/62/957	M12x30 ZINC PLATED ENG BOLT	6.00
PSV/65/035	M12x90mm CAD PLTD. ENG. BOLT	12.00
PSV/43/349	M10x30 HT SET 12.9	4.00
PSV/43/392	M8x15mm 1.25 DIN912 8.8 Socket head bolt	18.00
PSV/43/393	M10x40mm 1.5pitch 10.9qr Allen head bolt	12.00
PSV/43/394	M16x150 BOLT HT10.9 COARSE ZINC & CLEAR	2.00
PSV/60/826	M10 H/TENS. 10.9T NYLOCK	4.00
PSV/65/038	M12 H/TENS. 10.9T NYLOCK NUT ZINC & CLR	10.00
PSV/65/042	M12 CAD.PLATED WASHER	26.00
PSV/65/043	M16 FLAT CAD PLT WASHER	4.00
PSV/62/048	10x24x3 FLAT WASHER	8.00
PSV/65/761	M8 A8.4 FLAT WASHER DIN125 St HV>/=300	9.00
PSV/43/766	CONDUIT ATTACHMENT BRACKET	14.00
PSV/44/978	NORMA RSGUI 28/20 CLIP	10.00
PSV/44/980	NORMA RSGUI 35/20 CLIP	2.00
PSV/63/278	20-32mm NORMA HOSE CLIP	2.00
PSV/63/280	NORMA RSGUI 22mm CLIP	8.00
PSV/65/878	50mm PIPE CLIP	18.00
PSV/45/043	22mm ID REINFORCED HOSE	1.50
PSV/65/909	ENGINE CRADLE ASSY - 4CYL CUMMINS/VOITH	1.00
PSV/39/752	METACONE ENGINE MOUNT 17/2033	2.00
PSV/39/806	RUBBER MOUNT 16x42 COMPOUND	1.00
PSV/65/404	RUBBER MOUNT 16x57 COMPOUND	1.00
PSV/65/405	ENGINE MOUNT WELD ASSEMBLY	1.00
PSV/65/400	ENGINE MOUNT BRACKET	1.00
PSV/65/401	ENGINE MOUNT BRACKET	1.00
PSV/65/402	ENGINE MOUNT BRACKET	1.00
PSV/65/410	ENGINE MOUNT WELD ASSEMBLY	1.00
PSV/65/402	ENGINE MOUNT BRACKET	1.00
PSV/65/411	ENGINE MOUNT BRACKET	1.00
PSV/65/412	ENGINE MOUNT BRACKET	1.00

W00-00017

ENGINE - CUMMINS 4 CYL / SAE 2 FLYWHEEL

Stock Number	Description	Quantity
PSV/15/733	ANTI-VIBRATION MOUNT	4.00
PSV/43/342	M8x25 CAD ENG.BOLT	4.00
PSV/65/713	M12x30mm H.T. BOLT 12.9 GRADE ZINC & CLR	4.00
PSV/61/257	M10x40mm H.T. BOLT 12.9 GRADE ZINC & CLR	8.00
PSV/43/349	M10x30 HT SET 12.9	8.00
PSV/60/826	M10 H/TENS. 10.9T NYLOCK	16.00
PSV/65/038	M12 H/TENS. 10.9T NYLOCK NUT ZINC & CLR	4.00
PSV/63/036	M8 ALL METAL SELF LOCKING NUT Z & C	4.00
PSV/65/042	M12 CAD.PLATED WASHER	8.00
PSV/62/048	10x24x3 FLAT WASHER	16.00
PSV/65/925	ENGINE CRADLE BASE FRAME	1.00
PSV/65/035	M12x90mm CAD PLTD. ENG. BOLT	1.00
PSV/65/038	M12 H/TENS. 10.9T NYLOCK NUT ZINC & CLR	1.00
PSV/65/042	M12 CAD.PLATED WASHER	2.00
PSV/65/934	INTEGRAL BODY MEMBER - FRAME COMPONENTS	1.00
PSV/65/935	INTEGRAL BODY MEMBER - FRAME COMPONENTS	1.00
PSV/65/936	INTEGRAL BODY MEMBER - FRAME COMPONENTS	1.00
PSV/65/967	INTEGRAL BODY MEMBER - ENG CRADLE PT.	1.00
PSV/65/968	INTEGRAL BODY MEMBER - ENG CRADLE PT.	1.00
PSV/65/969	INTEGRAL BODY MEMBER - ENGINE CRADLE PT.	10.00
PSV/65/970	INTEGRAL BODY MEMBER - ENG CRADLE PT.	1.00
PSV/65/971	INTEGRAL BODY MEMBER - ENG CRADLE PT.	1.00
PSV/65/999	ENGINE CRADLE MEMBER	2.00
PSV/66/001	ENGINE CRADLE MEMBER	2.00
PSV/66/002	ENGINE CRADLE MEMBER	1.00
PSV/66/006	ENGINE CRADLE MEMBER	1.00
PSV/66/007	ENGINE CRADLE MEMBER	1.00
PSV/66/008	ENGINE CRADLE MEMBER	1.00
PSV/66/009	ENGINE CRADLE MEMBER	1.00
PSV/66/010	ENGINE CRADLE MEMBER	1.00
PSV/66/011	ENGINE CRADLE MEMBER	1.00
PSV/66/016	ENGINE CRADLE MEMBER	1.00
PSV/66/022	INTEGRAL BODY MEMBER - FRAME COMPONENTS	1.00
PSV/66/032	INTEGRAL BODY MEMBER - FRAME COMPONENTS	1.00
PSV/66/033	INTEGRAL BODY MEMBER - FRAME COMPONENTS	1.00
PSV/66/058	INTEGRAL BODY PART - FAB - ENG. CRADLE	1.00
PSV/66/059	INTEGRAL BODY PART - FAB - ENG. CRADLE	4.00
PSV/66/066	INTEGRAL BODY PART - FAB - ENG. CRADLE	1.00
PSV/66/064	INTEGRAL BODY PART - FAB - ENG. CRADLE	1.00
PSV/66/065	INTEGRAL BODY PART - FAB - ENG. CRADLE	1.00
PSV/66/072	INTEGRAL BODY PART - FAB - ENG. CRADLE	2.00
PSV/66/069	INTEGRAL BODY PART - FAB - ENG. CRADLE	1.00
PSV/66/070	INTEGRAL BODY PART - FAB - ENG. CRADLE	2.00
PSV/66/071	INTEGRAL BODY PART - FAB - ENG. CRADLE	1.00
PSV/66/079	INTEGRAL BODY PART - FAB - ENG. CRADLE	1.00
PSV/66/080	INTEGRAL BODY PART - FAB - ENG. CRADLE	4.00
PSV/66/083	INTEGRAL BODY PART - FAB - ENG. CRADLE	1.00
PSV/66/121	ENGINE MOUNT BRACKET	1.00
PSV/66/064	INTEGRAL BODY PART - FAB - ENG. CRADLE	1.00
PSV/66/065	INTEGRAL BODY PART - FAB - ENG. CRADLE	1.00

W00-00017

ENGINE - CUMMINS 4 CYL / SAE 2 FLYWHEEL

Stock Number	Description	Quantity
PSV/66/072	INTEGRAL BODY PART - FAB - ENG. CRADLE	2.00
PSV/66/127	FUEL FILTER MOUNTING BRACKET	1.00
PSV/66/149	INTEGRAL BODY PART - FABRICATED PARTS	1.00
PSV/66/150	INTEGRAL BODY PART - FABRICATED PARTS	1.00
PSV/66/226	FLOW CONTROL VALVE BRACKET	1.00
PSV/66/227	ENGINE MOUNT BASE PLATE	1.00
PSV/66/228	ENGINE CRADLE PART	1.00
PSV/66/229	ENGINE CRADLE PART	1.00
PSV/66/230	ENGINE CRADLE PART	1.00
PSV/66/231	ENGINE CRADLE PART	1.00
PSV/66/232	ENGINE CRADLE PART	1.00
PSV/66/233	COOLANT PACK VIBRATION MOUNT SPACER	2.00
PSV/66/241	ENGINE CRADLE GUSSET	1.00
PSV/66/246	RAD TO ENG SKID BRKT GRAYSONS RADIATOR	1.00
PSV/63/355	INTEGRAL BODY PART - FABRICATED PARTS	2.00
PSV/66/327	ADBLUE CRADLE BRACKET	1.00
PSV/66/339	INTEGRAL BODY PART - FABRICATED PARTS	1.00
PSV/66/082	INTEGRAL BODY PART - FAB - EXHAUST BKT	2.00
PSV/62/954	M8x30 CAD ENG.BOLT	2.00
PSV/63/036	M8 ALL METAL SELF LOCKING NUT Z & C	2.00
PSV/60/163	M8 CAD.PLATED WASHER	2.00
PSV/45/476	INTEGRAL BODY PART - FAB - EXHAUST BKT	2.00
PSV/45/477	INTEGRAL BODY PART - FAB - EXHAUST BKT	4.00
PSV/66/081	INTEGRAL BODY PART - FAB - EXHAUST BKT	1.00
PSV/66/355	EXHAUST MOUNTING BRACKET SUPPORT	1.00
PSV/63/353	INTEGRAL BODY MEMBER - ENG CRADLE PT.	2.00
PSV/50/542	HEATER PIPE BRACKET	17.00

W00-00028

AIR INTAKE SYSTEM - CUMMINS

Stock Number	Description	Quantity
PSV/65/280	AIR INTAKE BOX	1.00
PSV/66/450	AIR INTAKE PART	1.00
PSV/66/451	AIR INTAKE PART	1.00
PSV/66/452	AIR INTAKE PART	1.00
PSV/66/475	AIR INTAKE DRAIN ADAPTOR	1.00
PSV/65/281	AIR INTAKE GRILL	1.00
PSV/66/476	AIR INTAKE FACE PLATE	1.00
PSV/66/477	AIR INTAKE GRILL EGG CRATE	1.00
PSV/66/478	AIR INTAKE BOTTOM SEAL BRACKET	1.00
PSV/66/479	AIR INTAKE SIDE SEAL BRACKET	1.00
PSV/66/480	AIR INTAKE SIDE SEAL BRACKET	1.00
PSV/66/481	AIR INTAKE TOP SEAL BRACKET	1.00
PSV/65/351	INT MIDI 9-5 CUMMIN SOLID AIR INLET PIPE	1.00
PSV/39/409	CHASSIS - ENGINE AIR INTAKE FILTER	1.00
PSV/62/035	CHASSIS - AIR INTAKE MOUNTING STRAPS	2.00
PSV/62/036	AIR INTAKE RESTRICTION INDICATOR	1.00
PSV/39/410	AIR INTAKE NIPPLE	1.00
PSV/62/037	AIR INTAKE RESTRICTION INDICATOR FLANGE	1.00
PSV/65/024	1" VACUATION VALVE	1.00
PSV/65/025	2" VACUATION VALVE	1.00
PSV/65/352	5" 90 DEG ELBOW	1.00
PSV/65/398	CHASSIS - AIR INTAKE MOUNTING BRACKET	1.00
PSV/39/751	AIR INTAKE ELBOW	1.00
PSV/39/753	AIR INTAKE 90 DEG REDUCER	1.00
PSV/17/455	CONSTANT TORQUE S ST HOSE CLAMP 85-91mm	1.00
PSV/17/456	CONSTANT TORQUE SST HOSE CLAMP 121-130mm	1.00
PSV/17/457	CONSTANT TORQUE SST HOSE CLAMP 131-140mm	2.00
PSV/62/768	1/8" NPT TO 5/16 90 DEGREE ELBOW	1.00
PSV/65/732	ENGINE AIR INTAKE	1.00
PSV/65/294	ENGINE AIR INTAKE 1	1.00
PSV/65/739	ENGINE AIR INTAKE 1	1.00
PSV/65/295	ENGINE AIR INTAKE 2	1.00
PSV/65/740	ENGINE AIR INTAKE 2	1.00
PSV/66/527	AIR INTAKE SHROUD ATTACHMENT	1.00
PSV/66/528	AIR INTAKE SHROUD ATTACHMENT	1.00
PSV/63/030	M4x20 CSK.SKT.SCREW FULL THREAD	4.00
PSV/44/980	NORMA RSGUI 35/20 CLIP	2.00
PSV/63/281	120-140mm HOSE CLIP	4.00
PSV/44/994	BREEZE CT HOSE CLAMP 25-40 MM	2.00
PSV/65/884	25mm RADIATOR HOSE - 1M LENGTH	1.00
PSV/66/336	RESTRICTION INDICATOR MOUNTING BRACKET	1.00
PSV/50/542	HEATER PIPE BRACKET	2.00
PSV/58/550	ENDURAFLEX HEAT RESISTANT HOSE 127mm	0.10

W00-00032

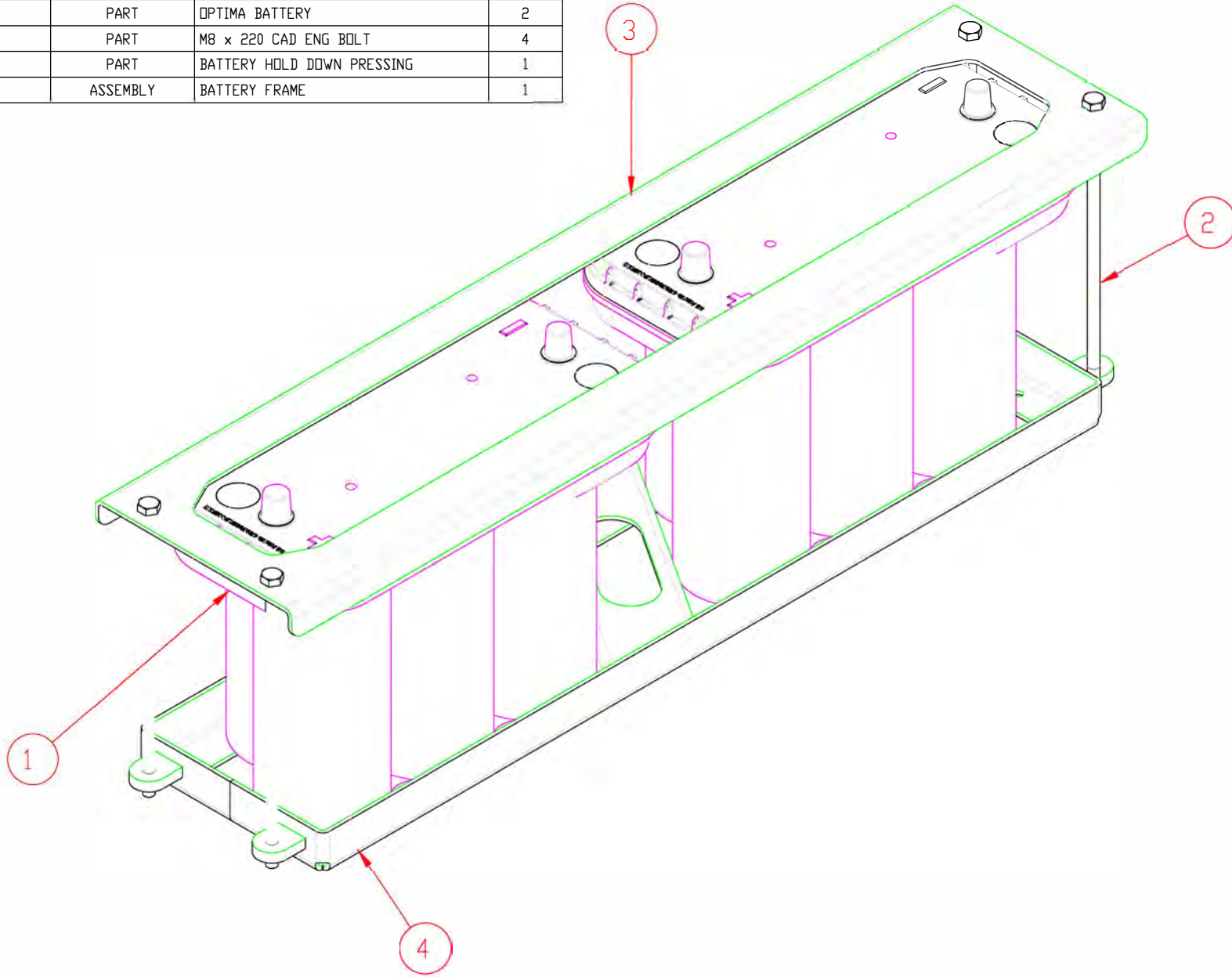
CONTROLS - FORWARD AXLE

Stock Number	Description	Quantity
PSV/13/926	THROTTLE PEDAL	1.00
PSV/64/987	M6x25 HT SET SCREW	4.00
PSV/60/161	M6 SELF FINISH NYLOC NUT	4.00
PSV/43/704	1/4in.FLAT STEEL WASHER	4.00
PSV/65/765	1/4X1^ CAD.MUDGUARD WASHER	4.00

W00-00039
FA BATTERIES

Stock Number	Description	Quantity
PSV/22/099	5.5 75AH 12V DUAL PURPOSE BATTERY	2.00
PSV/43/434	M8 THREADED BAR, 240 LONG	2.00
PSV/66/242	BATTERY HOLD DOWN PRESSING	1.00
PSV/66/244	BATTERY FRAME PART	1.00
PSV/66/243	BATTERY FRAME PART	2.00
PSV/63/354	BATTERY FRAME PART	2.00
PSV/60/828	M8 SELF FINISH HEX NUT	4.00

Index	Part Number	Compnt Type	Description	Qty
1	PSV/22/099	PART	OPTIMA BATTERY	2
2	PSV/43/418	PART	M8 x 220 CAD ENG BOLT	4
3	PSV/66/242	PART	BATTERY HOLD DOWN PRESSING	1
4	PSV/66/244	ASSEMBLY	BATTERY FRAME	1



W00-00039
FA BATTERIES

W00-00069

DRIVESHAFT 138KW RATED

Stock Number	Description	Quantity
PSV/40/198	CARDEN SHAFT - DIWA 3 TRANSMISSION	1.00
PSV/11/510	M12 STOVER NUT, GRADE 10, METRIC COARSE T	8.00
PSV/11/420	M12x45mm HEX CAP SCREW 12.9 GRADE	8.00

W00-00076

AXLES - 4.1 RATIO / 17.5

Stock Number	Description	Quantity
PSV/65/342	R17.5 INDEPENDANT FRONT SUSPENSION ASSY	1.00
PSV/65/343	17.5 WHEEL END KIT	1.00
PSV/65/430	DANA HUB BEARING ASSEMBLY	2.00
PSV/65/485	BEARING HOUSING	2.00
PSV/65/486	BEARING ASSEMBLY	2.00
PSV/65/487	BEARING SPACER	1.00
PSV/65/488	BRG CUP	1.00
PSV/65/489	BRG CONE	1.00
PSV/65/490	CHASSIS SUSPENSION PART - BRG CUP	1.00
PSV/65/491	CHASSIS SUSPENSION PART - BRG CONE	1.00
PSV/65/492	CHASSIS SUSPENSION PART - OIL SEAL	2.00
PSV/65/431	DANA NDS HUB ASSEMBLY	2.00
PSV/65/493	CHASSIS SUSPENSION HUB	2.00
PSV/65/494	CHASSIS SUSPENSION HUB CASTING	2.00
PSV/40/100	WHEEL BOLT M20 x 1.5 - 6G	16.00
PSV/65/432	NDS SWIVEL ASSEMBLY - LEFT HAND	1.00
PSV/65/495	SWIVEL SUB ASSEMBLY	1.00
PSV/65/496	SWIVEL	1.00
PSV/65/497	SWIVEL FORGING	1.00
PSV/65/498	BUSHING KNUCKLE PIN	2.00
PSV/65/499	SEAL KNUCKLE	2.00
PSV/65/500	STEERING LEVER - BOTTOM	1.00
PSV/65/501	LEVER FORGING	1.00
PSV/65/502	BOLT M20 x 75 (12.9)	2.00
PSV/65/503	STUD 1/2" UNF X 1.11/1	9.00
PSV/65/504	PLASTIC PLUG	2.00
PSV/65/433	NDS SWIVEL ASSEMBLY - RIGHT HAND	1.00
PSV/65/497	SWIVEL FORGING	1.00
PSV/65/498	BUSHING KNUCKLE PIN	2.00
PSV/65/499	SEAL KNUCKLE	2.00
PSV/65/502	BOLT M20 x 75 (12.9)	2.00
PSV/65/503	STUD 1/2" UNF X 1.11/1	9.00
PSV/65/504	PLASTIC PLUG	2.00
PSV/65/505	SWIVEL SUB ASSEMBLY RH	1.00
PSV/65/506	CHASSIS SUSPENSION SWIVEL	1.00
PSV/65/510	CHASSIS STEERING LEVER - OTTOM	1.00
PSV/65/511	CHASSIS LEVER FORGING	1.00
PSV/65/434	NDS KINGPIN KIT	2.00
PSV/65/507	KINGPIN SHIM (0.005)	4.00
PSV/65/508	KINGPIN SHIM (0.010)	6.00
PSV/65/509	PIN - KNUCKLE	2.00
PSV/65/512	THRUST BERING L&R T1	2.00
PSV/65/513	NEOPRENE SPONGE KING	4.00
PSV/40/101	CAP (SWIVEL)	4.00
PSV/11/117	KEY DRAW INNER 3.725	4.00
PSV/65/514	WASHER DUAL DRAW KEY	8.00
PSV/65/515	NUT HEX .375 -16 UNC-2	4.00
PSV/65/516	FITTING LUBE .125 90	4.00
PSV/65/517	SWIVEL STOP SCREW .625	2.00
PSV/65/518	NUT - LOCK 5/8" UNF	2.00

W00-00076

AXLES - 4.1 RATIO / 17.5

Stock Number	Description	Quantity
PSV/65/435	NDS WHEEL END KIT	2.00
PSV/65/519	OPTIMOL PASTE WHITE T	1.00
PSV/65/520	HUB BEARING SPACER	2.00
PSV/65/521	COLLET WASHER	2.00
PSV/40/102	NUT - JAM OUTER M42X2	2.00
PSV/65/436	NDS BRAKE KIT	2.00
PSV/65/522	CALIPER MOUNTING BRACKET	2.00
PSV/65/523	BRAKE BRACKET CASTING	1.00
PSV/65/524	NUT - SELF LOCK 1/2" UNF	18.00
PSV/65/525	BRAKE DISC SUITS WABC	2.00
PSV/65/526	M14 FLANGED BOLT	16.00
PSV/65/527	BOLT M14 X 1.5 X 40	12.00
PSV/65/528	M16 X 1.5 6H H NUT	4.00
PSV/65/442	BRAKE COMPONENTS IFS LH	1.00
PSV/65/518	NUT - LOCK 5/8" UNF	1.00
PSV/65/529	SWIVEL STOP SCREW .625	1.00
PSV/15/407	BRAKE CALIPER WABC 40	1.00
PSV/26/906	BRAKE CHAMBER WABCO	1.00
PSV/65/443	BRAKE COMPONENTS IFS RH	1.00
PSV/65/518	NUT - LOCK 5/8" UNF	1.00
PSV/65/529	SWIVEL STOP SCREW .625	1.00
PSV/15/408	BRAKE CALIPER WABC 40	1.00
PSV/26/906	BRAKE CHAMBER WABCO	1.00
PSV/40/091	SPINDLE STAKE NUT	4.00
PSV/40/103	ABS BUSHING	2.00
PSV/26/974	ABS SENSOR	2.00
PSV/40/104	WHEEL NUT M20 X 1.5	12.00
PSV/65/394	IFS- BEARING GREASE	0.50
PSV/65/450	62MM BUSHING	8.00
PSV/40/088	BEARING ASSEMBLY	8.00
PSV/65/451	LOWER IFS WISHBONE	1.00
PSV/65/535	LOWER WISHBONE RAW CASTING	1.00
PSV/65/538	LOWER WISHBONE MACHINE OPERATION	1.00
PSV/65/452	LHS IFS KING POST	1.00
PSV/65/532	LHS KINGPOST RAW CASTING	1.00
PSV/65/536	KINGPOST MACHINE OPERATION	1.00
PSV/65/453	RHS IFS KING POST	1.00
PSV/65/533	RHS KINGPOST RAW CASTING	1.00
PSV/65/536	KINGPOST MACHINE OPERATION	1.00
PSV/65/454	IFS UPPER WISHBONE	1.00
PSV/65/534	UPPER WISHBONE RAW CASTING	1.00
PSV/65/537	UPPER WISHBONE MACHINE OPERATION	1.00
PSV/40/090	SPINDLE TORQUE ROD END	4.00
PSV/11/146	WISHBONE SPACER	8.00
PSV/11/603	RADIAL SHAFT SEAL	8.00
PSV/40/093	DUST SEAL	8.00
PSV/40/094	BEARING ASSEMBLY SPACER	4.00
PSV/40/095	BEARING ASSEMBLY SPACER	4.00
PSV/40/096	1/8" BSPF 45DEG S/STEEL GREASE NIPPLE	4.00

W00-00076

AXLES - 4.1 RATIO / 17.5

Stock Number	Description	Quantity
PSV/40/097	M8 GREASE NIPPLE COVER	4.00
PSV/65/481	WISHBONE SHIM 0.1MM	10.00
PSV/65/483	WISHBONE SHIM 0.2mm	10.00
PSV/43/412	M18 x 2.5 x 40 HEX BOLT DIN 933 10.9	8.00
PSV/43/427	M14 x 110 HEX HD BOLT	3.00
PSV/43/428	M14 x 70 HEX HD BOLT	4.00
PSV/43/429	M18x50 12.9 SOCKET HEAD CAP SCREW	8.00
PSV/63/035	M14 NYLOC NUT ZINC PLATED GRADE 10	7.00
PSV/11/511	M18 NYLOC HEX NUT, DIN 982	4.00
PSV/65/752	M14 WASHER	7.00
PSV/65/926	INTG FRONT MODULE-FRONT SUSPENSION FRAME	1.00
PSV/11/420	M12x45mm HEX CAP SCREW 12.9 GRADE	14.00
PSV/43/461	M14 x 2 SOCKET HEAD CAP SCREW DIN 912	4.00
PSV/65/746	M12x1.25-10 DIN982 CAD NYLOC NUT	10.00
PSV/65/747	M12 STOVER NUT	4.00
PSV/65/762	M12 WASHER, ZINC NICKEL	24.00
PSV/65/927	INTEGRAL FRONT MODULE - TOWING EYE SUPP	1.00
PSV/66/137	TOWING EYE SUPPORT UPPER O/S ATT BKT	1.00
PSV/66/138	TOWING EYE SUPPORT UPPER N/S ATT BKT	1.00
PSV/66/236	FRONT FRAME SUPPORT GUSSETT	2.00
PSV/66/264	FRONT FRAME PLATE	1.00
PSV/66/288	FRONT FRAME SUPPORT ANGLE	1.00
PSV/65/986	FRONT SUSPENSION FRAME MAIN LONGITUDINAL	2.00
PSV/65/987	FRONT SUSPENSION FRAME TRANSVERSE SUPPOR	1.00
PSV/65/988	FRONT SUSPENSION FRAME TRANSVERSE SECTIO	1.00
PSV/65/989	FRONT SUSPENSION FRAME UPPER LONGITUDINA	2.00
PSV/66/025	FRONT SUSPENSION FRAME TRANSVERSE SECTIO	1.00
PSV/66/131	FRONT SUSPENSION FRAME GUSSET FOR TRUNIO	4.00
PSV/66/132	INTEGRAL BODY PART - FABRICATED PARTS	2.00
PSV/66/136	FRONT SUSPENSION FRAME LONG. CLOSURE PLT	1.00
PSV/66/166	SUSPENSION ATTACHMENT BUSH	4.00
PSV/66/167	FRONT SUSPENSION SPINE ATACHMENT PLATE	1.00
PSV/66/169	FRONT SUSPENSION LOCATING PIN	2.00
PSV/66/170	FRONT SUSPENSION LOCATING PIN	2.00
PSV/66/171	INTEGRAL BODY PART - FABRICATED PARTS	1.00
PSV/66/129	FRONT FRAME N/S BUMP STOP BRACKET	1.00
PSV/66/283	FRONT FRAME N/S BUMP STOP BRACKET	1.00
PSV/66/284	FRONT FRAME N/S BUMP STOP BRACKET	1.00
PSV/66/175	INTEGRAL BODY PART - FABRICATED PARTS	1.00
PSV/66/130	FRONT FRAME O/S BUMP STOP BRACKET	1.00
PSV/66/173	INTEGRAL BODY PART - FABRICATED PARTS	1.00
PSV/66/174	INTEGRAL BODY PART - FABRICATED PARTS	1.00
PSV/66/203	INTEGRAL BODY PART - FABRICATED PARTS	2.00
PSV/66/176	SUSPENSION FRAME CLOSE OUT PLATE	1.00
PSV/66/186	FRONT FRAME CLOSE OUT PLATE	4.00
PSV/66/206	AIR TANK SUPPORT BRACKET	1.00
PSV/66/207	AIR TANK SUPPORT BRACKET GUSSETT	2.00

W00-00076

AXLES - 4.1 RATIO / 17.5

Stock Number	Description	Quantity
PSV/66/249	ABS MODULATOR VALVE FIXING BRACKET	1.00
PSV/66/250	ABS MODULATOR VALVE FIXING BRACKET	1.00
PSV/66/289	INTEGRAL BODY PART - FABRICATED PARTS	1.00
PSV/66/290	AIRBAG SUPPORT BRACKET	1.00
PSV/66/291	INTEGRAL BODY PART - FABRICATED PARTS	1.00
PSV/66/294	INTEGRAL BODY PART - FABRICATED PARTS	1.00
PSV/66/295	AIRBAG SUPPORT BRACKET	2.00
PSV/66/298	AIRBAG SUPPORT BRACKET	2.00
PSV/66/303	UPPER TRUNION MOUNTING BLOCKS	4.00
PSV/66/309	STEERING BRACKET ATTACHMENT BOSS	1.00
PSV/66/314	TRUNION PIN SUPPORT BUSH	4.00
PSV/66/340	RELAY VALVE BRACKET	1.00
PSV/66/341	SOLENOID ATTACHMENT BRACKET	1.00
PSV/66/348	N/S DAMPER SUPPORT PLATE	1.00
PSV/66/349	O/S DAMPER SUPPORT PLATE	1.00
PSV/66/351	ECAS VALVE BLOCK FIXING PLATE	1.00
PSV/66/353	DAMPER PLATE TAPPING BLOCK	4.00
PSV/66/716	1" RUBBER GROMMET	2.00
PSV/65/451	LOWER IFS WISHBONE	1.00
PSV/65/535	LOWER WISHBONE RAW CASTING	1.00
PSV/65/538	LOWER WISHBONE MACHINE OPERATION	1.00
PSV/65/454	IFS UPPER WISHBONE	1.00
PSV/65/534	UPPER WISHBONE RAW CASTING	1.00
PSV/65/537	UPPER WISHBONE MACHINE OPERATION	1.00
PSV/65/344	DRV AXLE/PAN17/ 4.1	1.00

W00-00080

FUEL SYSTEM FA VARIANT - PRODUCTION

Stock Number	Description	Quantity
PSV/65/395	FUEL TANK KIT - FRONT AXLE VARIANT	1.00
PSV/65/423	MIDIBUS FUEL TANK	1.00
PSV/65/427	MIDIBUS ADBLUE TANK - PLASTIC	1.00
PSV/39/841	ADBLUE TANK 1" STRAP RUBBER MIDI	2.00
PSV/65/428	10 GAL ADBLUE TANK STRAP 1" WIDE S/STEE	2.00
PSV/65/570	10mm PARKER PUSH-LOK UNION	2.00
PSV/65/571	12MM PARKER PUSH-LOK UNION	2.00
PSV/17/411	ADBLUE DOSE PUMP INLET FITTING 9.49mm	2.00
PSV/02/374	ADBLUE DOSING PUMP RETURN FITTING	3.00
PSV/02/376	ADBLUE DOSE PUMP TO NOZZLE FITG 6.3mm	2.00
PSV/20/901	ADBLUE TANK FITTING	2.00
PSV/62/741	3/8BSP FEMALE 90, 1/2" HOSE INSERT	1.00
PSV/65/572	3/8" BSP x M14 x 1.5mm MALE HYD ADAPTOR	1.00
PSV/43/444	M12x30 CSK SOCKET SCREW	8.00
PSV/43/766	CONDUIT ATTACHMENT BRACKET	5.00
PSV/63/229	M12x1.5 ML-10mm BARBED HOSE TAIL	1.00
PSV/63/280	NORMA RSGUI 22mm CLIP	8.00
PSV/63/285	8mm - 16mm NORMA CLIP.	4.00
PSV/63/287	19mm NORMA HOSE CLIP	8.00
PSV/44/981	16mm NORMA PIPE CLIP	24.00
PSV/44/982	12-20mm NORMA HOSE CLIPS	4.00
PSV/63/289	12mm NORMA PIPE CLIPS	14.00
PSV/65/882	15mm P-CLIP ST/ST 15MM WIDE BAND	24.00
PSV/65/885	10mm I/D HIGH TEMP FUEL HOSE 10m ROLL	0.30
PSV/65/886	13mm I/D HIGH TEMP FUEL HOSE 10m ROLL	0.30
PSV/65/887	ADBLUE HOSE CARBOBLUE 6MM ID 5 METRES	10.00
PSV/40/250	ADBLUE PIPE DOSING PUMP TO NOZZLE	2.50
PSV/66/328	ADBLUE TANK CRADLE ASSEMBLY	1.00
PSV/50/542	HEATER PIPE BRACKET	7.00
PSV/64/720	3mm BLACK RIBBED RUBBER 1.2m WIDE	0.50
PSV/58/561	16mmX2 AIRBRAKE HOSE (DIN 74324)	10.00
PSV/66/746	14mm OD x 2 mm AIRBRAKE HOSE DIN74324	10.00
PSV/65/865	14mm COPPER WASHER	2.00
PSV/43/455	M10 x 100 SKT CAP HEAD BOLT FULL THREAD	2.00
PSV/60/826	M10 H/TENS. 10.9T NYLOCK	2.00
PSV/65/868	10MM I.D. RUBBER BLANKING CAP	2.00

W00-00102

WHEEL & TYRE ASSY - CONTI STEEL / R17.5

Stock Number	Description	Quantity
PSV/65/573	WHEEL ASSY- CONTINENTAL TYRE/STL R17.5	6.00
PSV/65/574	17.5" X 6.75" STEEL RIM - SILVER	1.00
PSV/65/575	245/70 R17.5 LSR1 TYRE	1.00
PSV/40/357	VALVE EXTENSION	2.00

W00-00107

TRANSMISSION VOITH D823.3E

Stock Number	Description	Quantity
PSV/65/353	VOITH D 823.3E TRANSMISSION ASSEMBLY	1.00
PSV/65/564	VOITH DIWA 823.3E TRANSMISSION	1.00
PSV/65/565	VOITH HYDRODAMP	1.00
PSV/65/566	VOITH INTERMEDIATE RING	1.00
PSV/65/567	VOITH DIWA 823.3e LOOM	1.00
PSV/65/568	VOITH E310 ELECTRONIC CONTROL UNIT	1.00
PSV/65/569	VOITH ECU HOLDING PLATE	1.00
PSV/66/062	INTEGRAL BODY PART - FAB - ENGINE CRADLE	1.00
PSV/66/060	INTEGRAL BODY PART - FAB - ENGINE CRADLE	1.00
PSV/66/061	INTEGRAL BODY PART - FAB - ENGINE CRADLE	2.00
PSV/66/073	INTEGRAL BODY PART - FAB - ENGINE CRADLE	1.00
PSV/66/063	INTEGRAL BODY PART - FAB - ENGINE CRADLE	1.00
PSV/66/060	INTEGRAL BODY PART - FAB - ENGINE CRADLE	1.00
PSV/66/061	INTEGRAL BODY PART - FAB - ENGINE CRADLE	2.00
PSV/66/073	INTEGRAL BODY PART - FAB - ENGINE CRADLE	1.00
PSV/66/292	O/S RAD PIPE TO GEARBOX MOUNT	1.00
PSV/66/296	NEAR SIDE GEARBOX TO COOLANT PIPE BRACKET	1.00

W00-00109

BRAKES - COMMON 9.5 MIDI

Stock Number	Description	Quantity
PSV/65/244	M16-M12 MALE FEMALE ADAPTOR	1.00
PSV/65/345	CHASSIS BRAKE ASSEMBLY 9.5	1.00
PSV/27/093	WABCO FOOT BRAKE	1.00
PSV/27/304	CHASSIS - BRAKE APU	1.00
PSV/27/324	CHASSIS - BRAKE PURGE TANK 5L	1.00
PSV/27/332	CHASSIS - BRAKE RESERVOIR 20L	3.00
PSV/27/078	CHASSIS - BRAKE TANK STRAP	6.00
PSV/17/311	CHASSIS - BRAKE HAND CONTROL VALVE	1.00
PSV/17/370	CHASSIS - BRAKE RELAY VALVE	1.00
PSV/17/365	CHASSIS - BRAKE QUICK RELEASE VALVE	1.00
PSV/27/121	CHASSIS - BRAKE ABS MODULATOR	2.00
PSV/17/366	CHASSIS - BRAKE DOUBLE CHECK VALVE	2.00
PSV/17/369	CHASSIS - BRAKE TEST POINT	5.00
PSV/26/910	CHASSIS - SILENCER-RELAY VALVES/FT VALVE	2.00
PSV/17/292	CHASSIS - SILENCER - APU	1.00
PSV/26/926	NON RETURN VALVE	1.00
PSV/27/326	10L AIR RESERVOIR	1.00
PSV/39/294	TANK STRAP TO SUIT 206mm DIA TANK	2.00
PSV/10/208	CHASSIS - BRAKE LOW PRESSURE SWITCH	1.00
PSV/26/929	CHARGE VALVE	1.00
PSV/39/299	PRESSURE LIMIT VALVE	1.00
PSV/17/427	QUICK RELEASE VALVE SILENCER	1.00
PSV/65/346	CHASSIS BRAKE ASSEMBLY	1.00
PSV/17/370	CHASSIS - BRAKE RELAY VALVE	1.00
PSV/27/121	CHASSIS - BRAKE ABS MODULATOR	2.00
PSV/17/366	CHASSIS - BRAKE DOUBLE CHECK VALVE	1.00
PSV/26/910	CHASSIS - SILENCER-RELAY VALVES/FT VALVE	1.00
PSV/27/137	PRESSURE LIMIT VALVE (HALTBRAKE)	1.00
PSV/27/326	10L AIR RESERVOIR	1.00
PSV/17/219	SOLENOID VALVE HALTBRAKE	1.00
PSV/39/294	TANK STRAP TO SUIT 206mm DIA TANK	2.00
PSV/02/104	CHASSIS - BRAKE ABS ECU	1.00
PSV/65/347	COMP. AIR COOLING COIL	1.00
PSV/39/295	C-COUPLING	1.00
PSV/39/296	C-COUPLING BLANKING PLUG	1.00
PSV/65/348	BRAKE PEDAL WEDGE	1.00
PSV/65/718	M8 x 90 BOLT 8.8 ZC DIN 931	1.00
PSV/43/445	M12 x 1.5 x 25 HEX BOLT DIN 933 10.9	2.00
PSV/65/882	15mm P-CLIP ST/ST 15MM WIDE BAND	8.00
PSV/66/499	APU MOUNTING BRACKET ASSEMBLY	1.00
PSV/66/500	APU SUPPORT BRACKET ASSEMBLY	1.00
PSV/66/508	BRAKE PEDAL TO FLOOR SEALING PLATE	1.00

W00-00110

SUSPENSION - COMMON FA

Stock Number	Description	Quantity
PSV/65/275	AIR BRAKE FITTING KIT	1.00
PSV/55/231	90 DEGREE ELBOW M22 MALE 12mm PUSH IN	1.00
PSV/62/252	90 DEGREE ELBOW M22 MALE 10MM PUSH IN	3.00
PSV/65/018	MALE STUD M16 10MM PUSH IN	2.00
PSV/62/023	UNION TEE 12MM PUSH IN	1.00
PSV/65/019	Y-CONNECTOR 3 x 10MM PUSH IN	2.00
PSV/65/021	PRESTOMATIC COMPOSITE FEMALE BRANCH TEE	1.00
PSV/65/276	AIR BRAKE FITTING KIT	1.00
PSV/55/231	90 DEGREE ELBOW M22 MALE 12mm PUSH IN	1.00
PSV/62/252	90 DEGREE ELBOW M22 MALE 10MM PUSH IN	5.00
PSV/65/439	CHASSIS SUSPENSION ASSEMBLY	1.00
PSV/17/401	ECAS HEIGHT SENSOR - 441 050 100 0	2.00
PSV/17/184	ECAS HEIGHT SENSOR LEVER	2.00
PSV/26/925	ECAS HEIGHT SENSOR LINKAGE	2.00
PSV/27/127	ECAS VALVE BLOCK	1.00
PSV/10/216	ECAS PRESSURE SWITCH	1.00
PSV/65/440	CHASSIS SUSPENSION ASSEMBLY	1.00
PSV/17/401	ECAS HEIGHT SENSOR - 441 050 100 0	2.00
PSV/17/184	ECAS HEIGHT SENSOR LEVER	2.00
PSV/26/925	ECAS HEIGHT SENSOR LINKAGE	2.00
PSV/17/249	ECAS VALVE BLOCK	1.00
PSV/65/441	REAR SUSPENSION ASSEMBLY	1.00
PSV/65/444	SUSPENSION REACTION ROD	2.00
PSV/65/445	SUSPENSION REACTION ROD	2.00
PSV/65/446	REAR AXLE DAMPER	2.00
PSV/40/085	REAR AXLE V STAY ATTACHMENT BRACKET	1.00
PSV/65/448	REAR REARMOST AIR SPRING	2.00
PSV/40/086	REAR AXLE BUMP STOP ABUTMENT PAD	2.00
PSV/40/087	REAR AXLE V STAY DOWEL	1.00
PSV/65/540	REAR SUSPENSION FRAME ASSEMBLY	1.00
PSV/65/455	REAR SUSPENSION CROSSMEMBER	1.00
PSV/65/542	REAR AIR SPRING ARM	1.00
PSV/65/456	REAR SUSPENSION AIRSPRING BEAM	1.00
PSV/65/541	SPRING SEAT SPACER PLATE	1.00
PSV/65/459	REAR SUSPENSION FRAME GUSSET	1.00
PSV/65/460	REAR SUSPENSION FRAME GUSSET	1.00
PSV/65/461	REACTION ROD/DAMPER BASE PLATE	1.00
PSV/65/462	AIR SPRING BASE MOUNTING PLATE	1.00
PSV/65/463	SUSPENSION CHANNEL GUSSET	1.00
PSV/65/543	REAR AIR SPRING ARM	1.00
PSV/65/457	CHASSIS SUSPENSION PART	1.00
PSV/65/541	SPRING SEAT SPACER PLATE	1.00
PSV/65/458	CHASSIS SUSPENSION PART	1.00
PSV/65/459	REAR SUSPENSION FRAME GUSSET	1.00
PSV/65/460	REAR SUSPENSION FRAME GUSSET	1.00
PSV/65/462	AIR SPRING BASE MOUNTING PLATE	1.00
PSV/65/463	SUSPENSION CHANNEL GUSSET	1.00
PSV/65/464	SPRING SEAT DOWEL	2.00

W00-00110

SUSPENSION - COMMON FA

Stock Number	Description	Quantity
PSV/65/712	M14 x 50 CAD ENG.BOLT	12.00
PSV/63/035	M14 NYLOC NUT ZINC PLATED GRADE 10	12.00
PSV/65/752	M14 WASHER	24.00
PSV/65/482	REAR LEADING AIR SPRING	2.00
PSV/62/954	M8x30 CAD ENG.BOLT	4.00
PSV/43/383	M16 X 40 X 1.5 HEX BOLT 8.8 DIN 960	4.00
PSV/43/384	M16 X 330 DIN 931 HEX HEAD BOLT 10.9GRD	8.00
PSV/51/655	M16 x 50 DIN931 BOLT GRD 10.9	16.00
PSV/43/386	M18 x 2 x 40 HEX BOLT DIN 933 10.9 GRADE	4.00
PSV/43/667	M8 CAD.PLATED NYLOC NUT	4.00
PSV/60/826	M10 H/TENS. 10.9T NYLOCK	2.00
PSV/11/511	M18 NYLOC HEX NUT, DIN 982	4.00
PSV/65/748	M16 STOVER NUT GR10 DIN980V	8.00
PSV/65/753	M16 WASHER	8.00
PSV/65/447	FRONT AIR SPRING	2.00
PSV/60/183	FRONT AXLE BUMP STOP	2.00
PSV/40/089	REAR AXLE BUMP STOP	2.00
PSV/02/188	ECAS ECU	1.00
PSV/65/465	ECAS LINKAGE ROD	2.00
PSV/65/465	ECAS LINKAGE ROD	2.00
PSV/65/539	FRONT AXLE DAMPER V5	2.00
PSV/62/957	M12x30 ZINC PLATED ENG BOLT	2.00
PSV/11/420	M12x45mm HEX CAP SCREW 12.9 GRADE	12.00
PSV/51/655	M16 x 50 DIN931 BOLT GRD 10.9	16.00
PSV/65/745	M12x1.0 NYLOC NUT CAD.PL	12.00
PSV/60/826	M10 H/TENS. 10.9T NYLOCK	2.00
PSV/11/511	M18 NYLOC HEX NUT, DIN 982	2.00
PSV/65/042	M12 CAD.PLATED WASHER	12.00
PSV/66/047	N/S REAR AXLE BUMP STOP MOUNTING BRACKET	1.00
PSV/66/048	O/S REAR AXLE BUMP STOP MOUNTING BRACKET	1.00

W00-00111
BRAKES - FA 9.5

Stock Number	Description	Quantity
PSV/65/138	11M OF 12MM BRAKE TUBING	5.00
PSV/58/560	12mmX1.5 AIRBRAKE HOSE (DIN 74324)	11.00
PSV/65/139	13M OF 12MM BRAKE TUBING	1.00
PSV/58/560	12mmX1.5 AIRBRAKE HOSE (DIN 74324)	13.00
PSV/65/140	11M OF 10MM BRAKE TUBING	2.00
PSV/64/755	10mmX1.25 AIRBRAKE HOSE (DIN 74324)	11.00
PSV/65/141	13M OF 10MM BRAKE TUBING	2.00
PSV/64/755	10mmX1.25 AIRBRAKE HOSE (DIN 74324)	13.00
PSV/65/142	11M OF 8MM BRAKE TUBING	1.00
PSV/64/754	8mmX1 AIRBRAKE HOSE (DIN 74324)	11.00
PSV/65/143	9M OF 12MM BRAKE TUBING	1.00
PSV/58/560	12mmX1.5 AIRBRAKE HOSE (DIN 74324)	9.00
PSV/65/144	1.5M OF 10mm BRAKE TUBING	1.00
PSV/64/755	10mmX1.25 AIRBRAKE HOSE (DIN 74324)	1.50
PSV/65/145	20M OF 10mm BRAKE TUBING	1.00
PSV/64/755	10mmX1.25 AIRBRAKE HOSE (DIN 74324)	20.00
PSV/65/146	2M OF 6mm BRAKE TUBING	1.00
PSV/62/070	6mmX1 AIRBRAKE HOSE (DIN 74324)	2.00
PSV/37/643	AIR BRAKE FITTING KIT	1.00
PSV/15/731	ABS HOSE ASSEMBLY FOR NS SPRING BRAKE	2.00
PSV/65/238	CRIMP HOSE FITTING	1.00
PSV/65/239	CRIMP HOSE FITTING - 12.7MM	1.00
PSV/65/240	RUBBER HOSE - LOW PRESSURE	0.80
PSV/17/375	PARK REAR NS HOSE ASSEMBLY	1.00
PSV/65/242	RUBBER HOSE	0.90
PSV/65/243	CRIMP HOSE FITTING - 15.9MM	2.00
PSV/39/517	PARK REAR OS HOSE ASSEMBLY	1.00
PSV/65/241	CRIMP HOSE FITTING	1.00
PSV/65/242	RUBBER HOSE	0.90
PSV/65/243	CRIMP HOSE FITTING - 15.9MM	1.00
PSV/65/277	AIR BRAKE FITTING KIT	1.00
PSV/39/516	ABS FRONT NS HOSE ASSEMBLY	1.00
PSV/65/239	CRIMP HOSE FITTING - 12.7MM	1.00
PSV/65/240	RUBBER HOSE - LOW PRESSURE	0.70
PSV/65/238	CRIMP HOSE FITTING	1.00
PSV/39/518	COMPRESSOR-IN HOSE	1.00
PSV/65/248	FEMALE HOSE END	1.00
PSV/65/249	90 DEG ELBOW HOSE ADAPTOR	2.00
PSV/65/250	MALE MALE ADAPTOR	1.00
PSV/65/251	MALE MALE ADAPTOR	1.00
PSV/65/252	FEMALE ELBOW HOSE END	1.00
PSV/65/253	COMPRESSOR HOSE 970mm LONG	0.97
PSV/39/519	COMPRESSOR-OUT HOSE	1.00
PSV/37/432	COMPRESSOR HOSE 350mm LONG	0.35
PSV/65/254	FEMALE HOSE END	1.00
PSV/65/255	FEMALE ELBOW HOSE END	1.00
PSV/65/256	MALE MALE ADAPTOR	1.00
PSV/15/730	ABS FRONT OS HOSE ASSEMBLY	1.00
PSV/65/238	CRIMP HOSE FITTING	1.00
PSV/65/239	CRIMP HOSE FITTING - 12.7MM	1.00

W00-00111
BRAKES - FA 9.5

Stock Number	Description	Quantity
PSV/65/240	RUBBER HOSE - LOW PRESSURE	0.70
PSV/39/557	EO 24Deg CONE END SWIVEL NUT ELBOW	3.00
PSV/65/278	AIR BRAKE FITTING KIT - 9.5M MIDI	1.00
PSV/55/231	90 DEGREE ELBOW M22 MALE 12mm PUSH IN	7.00
PSV/59/513	BULKHEAD MALE M22 12mm PUSH IN	2.00
PSV/62/248	M22 MALE BLANKING PLATE	7.00
PSV/62/249	MALE STUD M22 12mm	1.00
PSV/65/229	MALE BLANKING M12	4.00
PSV/65/230	MALE M22 ADAPTER TO SUIT 15mm TUBE	1.00
PSV/08/213	DRAIN VALVE M22 MALE	5.00
PSV/65/231	90 DEGREE ELBOW M22 MALE 12mm PUSH IN	2.00
PSV/37/430	T SHAPED TEST POINT M22 MALE 12mm PUSH	2.00
PSV/62/251	45 DEGREE EBOW M22 MALE 12 MM PUSH IN	1.00
PSV/65/232	MALE 15L - MALE M22 ADAPTER	2.00
PSV/65/017	MALE MALE ADAPTER 12L-M16	1.00
PSV/62/252	90 DEGREE ELBOW M22 MALE 10MM PUSH IN	8.00
PSV/65/233	RUN TEE M22 MALE 2 X 10MM PUSH IN	1.00
PSV/08/183	MALE STUD M22 10MM PUSH IN	2.00
PSV/62/253	MALE MALE 18L - M22	2.00
PSV/65/234	RUN TEE M16 MALE 8MM PUSH IN	3.00
PSV/62/022	MALE MALE ADAPTOR 18L - M16	2.00
PSV/65/235	90 DEGREE ELBOW ADAPTOR 12L - M16	1.00
PSV/65/236	90 DEGREE ELLLBOW M16 MALE 10MM PUSH IN	2.00
PSV/65/018	MALE STUD M16 10MM PUSH IN	3.00
PSV/65/020	MALE MALE 90 DEGREE ELBOW M16	1.00
PSV/62/026	MALE STUD M16 12MM PUSH IN	2.00
PSV/65/237	UNEQUAL UNION TEE 8MM-8MM-12MM PUSH IN	1.00
PSV/62/256	UNEQUAL UNION TEE 12MM-12MM-6MM PUSH IN	1.00
PSV/60/242	M10 x 1.0 BUNG	1.00
PSV/62/257	90 DEGREE ELBOW M16 MALE 12mm PUSH IN	2.00
PSV/37/431	90 DEGREE ELBOW M12 MALE 12mm PUSH IN	1.00
PSV/62/027	90 DEGREE ELBOW M22 MALE 8mm PUSH IN	1.00
PSV/65/246	MALE MALE M16 ADAPTOR	1.00
PSV/65/022	MALE M22 FEMALE M16 ADAPTOR ELBOW	1.00
PSV/62/260	MALE M22 FEMALE M16 BULKHEAD ADAPTOR	1.00
PSV/62/261	M24 NUT	2.00
PSV/65/257	90 DEGREE F-PIECE M16 MALE 12mm PUSH IN	1.00
PSV/65/258	M22 MALE TO M22 MALE	1.00
PSV/62/028	M22 MALE TO M22 FEMALE 90 DEGREE ELBOW	1.00
PSV/65/259	M22 TO M16 REDUCER	2.00
PSV/62/258	MALE M16 MALE M22 ADAPTOR	1.00
PSV/08/219	AIR BRAKE FITTING KIT - 9.5M MIDI	1.00
PSV/55/231	90 DEGREE ELBOW M22 MALE 12mm PUSH IN	2.00
PSV/08/213	DRAIN VALVE M22 MALE	1.00
PSV/62/251	45 DEGREE EBOW M22 MALE 12 MM PUSH IN	2.00
PSV/65/232	MALE 15L - MALE M22 ADAPTER	2.00
PSV/62/252	90 DEGREE ELBOW M22 MALE 10MM PUSH IN	4.00
PSV/62/254	90 DEGREE ELBOW M16 MALE 8MM PUSH IN	2.00
PSV/62/024	MALE STUD M12 8MM PUSH IN	3.00
PSV/62/025	90 DEGREE ELBOW M12 MALE 8MM PUSH IN	1.00

W00-00111
BRAKES - FA 9.5

Stock Number	Description	Quantity
PSV/62/027	90 DEGREE ELBOW M22 MALE 8mm PUSH IN	1.00
PSV/65/245	45 DEGREE ELBOW M22 MALE 10mm PUSH IN	1.00
PSV/62/259	90 DEGREE F-PIECE M22 MALE 8mm PUSH IN	1.00
PSV/65/247	MALE STUD M16 8mm	1.00
PSV/65/017	MALE MALE ADAPTER 12L-M16	2.00
PSV/65/237	UNEQUAL UNION TEE 8MM-8MM-12MM PUSH IN	1.00
PSV/56/600	BRAKE WIRE SECURING RUBBER	10.00

W00-00115

DIGITAL TACHOGRAPH - MOCK UNIT

Stock Number	Description	Quantity
PSV/62/871	TACHOGRAPH PLUG WHITE	1.00
PSV/65/681	TACHOGRAPH PLUG YELLOW	1.00
PSV/65/682	TSU DIN MOUNTING CAGE	1.00
PSV/65/689	TSU (TACHOGRAPH SIMULATION UNIT)	1.00
PSV/65/691	KITAS 2171-20 SENSOR	1.00

W00-00131

COOLING SYSTEM SWAGED PIPES 4 CYL

Stock Number	Description	Quantity
PSV/65/270	TAPE 25x2mm SPONGE RUBBER - BLACK	0.10
PSV/65/363	PARKER KIT HYD FAN DRIVE	1.00
PSV/65/354	FAN DRIVE RESERVOIR TO PUMP HOSE ASSY	1.00
PSV/65/366	MIDI HYDRAULIC PUMP INLET PORT FITTING	1.00
PSV/65/367	MIDI FAN DRIVE PUMP INLET HOSE FITTING	1.00
PSV/65/889	1" DIAMETER I.D. HYDRAULIC HOSE	0.93
PSV/65/356	HYDRAULIC PUMP TO FAN MOTOR HOSE ASSY	1.00
PSV/39/555	7/8" -14 UNF MALE TO EO 24 Deg CONE END	1.00
PSV/65/368	HYD GEAR PUMP INLET FLANGE BSPP THREAD	1.00
PSV/65/369	3/8" BSPP MALE TO 12mm Dia EO 24 Deg C/E	1.00
PSV/65/384	12mm EO Deg FEMALE STRAIGHT TO 1/2" HOSE	1.00
PSV/65/370	15mm EO 24Deg CONE END HYDRAULIC FITTING	1.00
PSV/65/888	1/2" ID HYDRAULIC HOSE ISO 11237-1	0.72
PSV/65/358	FAN MOTOR OUTLET TO OIL COOLER HOSE ASSY	1.00
PSV/65/373	HYD GEAR PUMP OUTLET FLANGE BSPP THREAD	1.00
PSV/65/374	1/2"BSPP TO 18mm Dia EO 24Deg CONE END	1.00
PSV/65/376	3/4"BSP FEM-3/4"HOSE-90 DEG-24 DEG CONE	2.00
PSV/65/388	3/4" BSP THREAD - 24Deg CONE END SWIVEL	1.00
PSV/65/389	BULKHEAD ELBOW 18mm Dia 24Deg CONE END	1.00
PSV/65/890	3/4" ID HYDRAULIC HOSE ISO 1436-1	1.08
PSV/65/392	M26 x 1.5MM BULKHEAD FITTING LOCK NUT	1.00
PSV/65/360	OIL COOLER OUTLET TO FAN DRIVE RESERVOIR	1.00
PSV/65/375	3/4"BSPP TO 18mm 24Deg CONE END	1.00
PSV/65/388	3/4" BSP THREAD - 24Deg CONE END SWIVEL	1.00
PSV/65/389	BULKHEAD ELBOW 18mm Dia 24Deg CONE END	1.00
PSV/65/890	3/4" ID HYDRAULIC HOSE ISO 1436-1	1.00
PSV/65/391	18mm FEMALE METRIC 45Deg SWIVEL	1.00
PSV/65/392	M26 x 1.5MM BULKHEAD FITTING LOCK NUT	1.00
PSV/65/377	1/4" BSPP MOTOR PILOT MALE STUD FITTING	2.00
PSV/65/378	M10 MALE THERMO VALVE STUD FITTING	2.00
PSV/65/365	CHASSIS HYDRAULIC OIL RESERVOIR	1.00
PSV/65/386	PILOT SUPPLY TO THERMO VALVE TUBING	1.00
PSV/65/387	THERM VALVE OUT TO FAN MOTOR PILOT RETUR	1.00
PSV/62/542	VOITH GEARBOX OIL	8.00
PSV/65/421	GLASS COOLANT PIPE DAF	1.00
PSV/15/300	INTERCOOLER SILICONE CONNECTOR	5.00
PSV/11/176	CONSTANT TORQUE S ST HOSE CLAMP 79-85mm	10.00
PSV/65/425	FILLER NECK PLATE	1.00
PSV/65/546	INTEG MIDI 9.5m CUMMINS COOLING PACK	1.00
PSV/65/547	TANDEM HYD PUMP 18.5L	1.00
PSV/65/548	Thermo Valve (93 C) 210 Bar	1.00
PSV/11/175	MIDI EXPANSION TANK LEVEL SENSOR	1.00
PSV/65/032	MIDI CAC INTAKE PIPE 9-5m CUMMINS	1.00
PSV/65/550	MIDI CAC EXHAUST PIPE1 9-5m CUMMINS	1.00
PSV/65/551	MIDI CAC EXHAUST PIPE2 9-5m CUMMINS	1.00
PSV/65/553	THERMOSTAT HOUSING TO RAD PIPE	1.00
PSV/65/549	MIDI CUMMINS ENGINE TO RAD COOLING PIPE	1.00
PSV/65/426	COOLANT FILL THREADED BOSS	1.00
PSV/65/554	HEAT EXCHANGER 90 DEG PIPE ASSEMBLY	2.00

W00-00131

COOLING SYSTEM SWAGED PIPES 4 CYL

Stock Number	Description	Quantity
PSV/65/552	HEAT EXCHANGER 90DEG PIPE	1.00
PSV/65/426	COOLANT FILL THREADED BOSS	1.00
PSV/65/558	MIDI COOLANT EXPANSION TANK ASSEMBLY	1.00
PSV/65/555	MIDI STAINLESS COOLANT EXPANSION TANK	1.00
PSV/65/556	MIDI HEADER TANK BAFFLE	2.00
PSV/65/557	MIDI HEADER TANK CENTRE BAFFLE	1.00
PSV/62/636	MIDI EXPANSION TANK PRESSURE CAP 100kPa	1.00
PSV/65/560	COOLANT FILL PIPE ASSEMBLY	1.00
PSV/65/559	COOLANT FILL LINE BRACKET	1.00
PSV/65/563	ENGINE COOLANT FILL PIPE	1.00
PSV/40/166	HEADER TO COOLANT FILL PIPE	1.00
PSV/40/167	RADIATOR OUTLET TO GEARBOX HEATEXCHANGER	1.00
PSV/65/562	MIDI CUMMINS RAD TO GEARBOX COOLING PIPE	1.00
PSV/40/168	HEAT EXCHANGER - ENGINE PIPE WITH DRAIN	1.00
PSV/65/561	WATER PUMP TO HEAT EXCHANGER PIPE	1.00
PSV/65/426	COOLANT FILL THREADED BOSS	1.00
PSV/43/458	M16 X 30mm FULL THREAD BOLT 10.9 GRADE	1.00
PSV/43/459	M14 x 1.5 20MM LONG FULL THREAD 10.9 GRD	1.00
PSV/63/228	1/4" BSPT TO 8mm HOSE TAIL	1.00
PSV/65/864	BANJO M14-8mm H/TAIL	1.00
PSV/65/864	BANJO M14-8mm H/TAIL	2.00
PSV/65/865	14mm COPPER WASHER	2.00
PSV/65/865	14mm COPPER WASHER	4.00
PSV/65/865	14mm COPPER WASHER	1.00
PSV/65/866	TEE-PIECE 8mm HOSE TAIL	1.00
PSV/65/866	TEE-PIECE 8mm HOSE TAIL	2.00
PSV/44/948	25MM I.D. RUBBER CAP FOR HYDRAULIC TANK	1.00
PSV/65/867	26MM DIA DOWTY WASHER	1.00
PSV/63/237	90 DEG 1/8" BSPT MALE TO 8mm HOSE TAIL	4.00
PSV/44/949	1/8" BSPT MALE TO 8mm HOSE TAIL	6.00
PSV/65/869	M14x1.5 BANJO BOLT	1.00
PSV/65/869	M14x1.5 BANJO BOLT	2.00
PSV/63/272	1/4"BSPT MALE - 1/4"BSP FEM 90 DEG	1.00
PSV/63/272	1/4"BSPT MALE - 1/4"BSP FEM 90 DEG	1.00
PSV/63/285	8mm - 16mm NORMA CLIP.	8.00
PSV/44/982	12-20mm NORMA HOSE CLIPS	13.00
PSV/44/993	BREEZE CT HOSE CLAMP 20-32 MM	2.00
PSV/44/994	BREEZE CT HOSE CLAMP 25-40 MM	4.00
PSV/44/995	BREEZE CT HOSE CLAMP 35-50 MM	2.00
PSV/44/996	BREEZE CT HOSE CLAMP 50-70 MM	20.00
PSV/15/624	FILLER CAP - FORD	1.00
PSV/40/153	70-92mm CONSTANT TORQUE CLAMP	2.00
PSV/45/017	STAUFF 2" PIPE CLAMP SP650,8 PP DP-AS	5.00
PSV/65/883	8mm I/D FUEL PIPE	4.00
PSV/65/048	8MM ID RUBBER TECH HOSE	15.00
PSV/45/044	32mm I.D. RADIATOR HOSE	1.50
PSV/15/144	25-22mm 'ELB' SILICONE, 154mm LEGS	2.00
PSV/65/893	150mm @ 25mm STRAIGHT	1.00
PSV/15/177	45mm ID SILICONE 90 DEGREE ELBOW	1.00

W00-00131

COOLING SYSTEM SWAGED PIPES 4 CYL

Stock Number	Description	Quantity
PSV/15/750	STR 51mm X 150mm (ID 50mm)	8.00
PSV/45/468	IMIDI HYDRAULIC TANK BAND CLAMP ASSEMBLY	2.00
PSV/66/124	IMIDI HYDRAULIC TANK BAND CLAMP	1.00
PSV/66/125	IMIDI HYDRAULIC TANK BAND CLAMP SUPPORT	1.00
PSV/66/213	MIDI RADIATOR REAR TOP MOUNT GRAYSONS	1.00
PSV/66/214	MIDI RADIATOR TOP MOUNT GRAYSONS UNIT	1.00
PSV/66/255	HYDRAULIC PUMP SUPPORT BRACKET ASSEMBLY	1.00
PSV/66/251	HYDRAULIC PUMP SUPPORT BRACKET	1.00
PSV/66/254	HYDRAULIC PUMP SUPPORT BRACKET SPACER	2.00
PSV/66/293	OFFSIDE BELLHOUSING TO COOLANT PIPE BKT	1.00
PSV/66/297	NEARSIDE BELLHOUSING TO COOLANT PIPE BKT	1.00
PSV/66/333	MIDI ALLOY HEADER TANK STRAP	2.00
PSV/66/338	CAC PIPE SUPPORT BRACKET	1.00
PSV/66/350	N/S COOLANT PIPE BRACKET	1.00
PSV/50/982	STREETLITE SIGHT GLASS BRACKET	1.00
PSV/58/919	FILLER NECK ASSEMBLY - FORD CAP	1.00
PSV/65/422	FILLER NECK PLATE	1.00
PSV/65/424	FILLER NECK - ALLOY - GEMINI 2 HEV	1.00

W01-00518

N/S FRAME 9.5M MIDIBUS SINGLE DOOR

Stock Number	Description	Quantity
PSV/65/052	1408 MM LONG 80 x 40 STRINGER AUE-00092	1.00
PSV/65/326	1408mm 80x40 ALUS.	1.00
PSV/65/053	1288 MM LONG 80 x 40 STRINGER AUE-00002	4.00
PSV/11/156	ALUM BOX 80 x 40 (7.7M)	0.17
PSV/65/054	1288 MM LONG 60 x 40 STRINGER AUE-00001	3.00
PSV/38/244	ALUM BOX 60x40 (6.2M)	0.21
PSV/65/055	618 MM LONG 80 x 40 STRINGER AUE-00002	1.00
PSV/11/156	ALUM BOX 80 x 40 (7.7M)	0.08
PSV/65/056	618 MM LONG 60 x 40 STRINGER AUE-00001	2.00
PSV/38/244	ALUM BOX 60x40 (6.2M)	0.10
PSV/65/057	1568 MM LONG 60 x 40 STRINGER AUE-00001	1.00
PSV/38/244	ALUM BOX 60x40 (6.2M)	0.25
PSV/65/058	218 MM LONG 80 x 40 STRINGER AUE-00002	2.00
PSV/11/156	ALUM BOX 80 x 40 (7.7M)	0.03
PSV/65/059	1297 MM LONG 60 x 40 STRINGER AUE-00001	2.00
PSV/38/244	ALUM BOX 60x40 (6.2M)	0.21
PSV/65/063	249 MM LONG 60 x 40 STRINGER AUE-00001	1.00
PSV/38/244	ALUM BOX 60x40 (6.2M)	0.04
PSV/65/069	279 MM LONG 40 x 40 STRINGER AUE-00128	1.00
PSV/11/148	ALUM ECON.BOX 40x40 6.0M	0.04
PSV/65/070	808 MM LONG 40 x 40 STRINGER AUE-00128	1.00
PSV/11/148	ALUM ECON.BOX 40x40 6.0M	0.14
PSV/65/071	828 MM LONG 60 x 40 STRINGER AUE-00001	1.00
PSV/38/244	ALUM BOX 60x40 (6.2M)	0.13
PSV/65/074	1408 MM LONG 60 x 40 STRINGER	2.00
PSV/38/244	ALUM BOX 60x40 (6.2M)	0.23
PSV/65/075	MIDIBUS NEAR SIDE REAR SEATRAIL	1.00
PSV/65/327	MILL.ALUM.S'RAIL FLO 6.0	0.40
PSV/65/081	9.5M MIDIBUS NEAR SIDE FRONT SEATRAIL	1.00
PSV/38/248	MILL.ALUM.S'RAIL FLAT 6.0M	0.60
PSV/65/095	MIDIBUS SIDEFAME SEALING PANEL	1.00
PSV/65/288	ALUM SHT.2500x1250x1.2mm(18G)	0.24
PSV/65/096	MIDIBUS SIDEFAME SEALING PANEL	1.00
PSV/65/288	ALUM SHT.2500x1250x1.2mm(18G)	0.17
PSV/65/099	MIDIBUS SIDEFAME SEALING PANEL	1.00
PSV/65/288	ALUM SHT.2500x1250x1.2mm(18G)	0.06
PSV/65/102	MIDIBUS SEAT RAIL SUPPORT	1.00
PSV/65/282	ALUM ANGLE 38x38x5mm (5M)	0.28
PSV/65/103	MIDIBUS SEAT RAIL SUPPORT	1.00
PSV/65/282	ALUM ANGLE 38x38x5mm (5M)	0.26
PSV/65/104	MIDIBUS SEAT RAIL SUPPORT	1.00
PSV/65/282	ALUM ANGLE 38x38x5mm (5M)	0.12
PSV/65/107	MIDIBUS SEAT RAIL SUPPORT BRACKET	1.00
PSV/65/290	ALUM. ALLOY SHT.2500x1250x5mm 5251 H22	0.01
PSV/65/112	MIDIBUS SEAT RAIL SUPPORT BRACKET	1.00
PSV/65/290	ALUM. ALLOY SHT.2500x1250x5mm 5251 H22	0.05
PSV/65/113	MIDIBUS SEAT RAIL SUPPORT	1.00
PSV/62/308	ALUM ANGLE 76x38x6mm (5M)	0.19

W01-00518

N/S FRAME 9.5M MIDIBUS SINGLE DOOR

Stock Number	Description	Quantity
PSV/65/125	MIDIBUS GLASS FINISHER	2.00
PSV/62/312	ALUM SHT.2500x1250x2MM (14g.)	0.01
PSV/54/063	ALUM ACCESSORY TOGGLE M8	5.00
PSV/12/979	4 BOLT CORNER ASSEMBLY (STANDARD)	30.00
PSV/54/064	M8X15 TORX BUTTON SCREW PATCHED	4.00
PSV/54/063	ALUM ACCESSORY TOGGLE M8	4.00
PSV/38/238	4 BOLT CORNER	1.00
PSV/12/980	4 BOLT CORNER ASSY (BONDED WINDOW TYPE)	7.00
PSV/38/239	ALUM ACCSY BONDED WINDOW BRACKET	1.00
PSV/54/063	ALUM ACCESSORY TOGGLE M8	4.00
PSV/43/348	M8x20 TORX BUTTON SCREW PATCHED	4.00
PSV/13/360	2 BOLT CORNER ASSEMBLY (STANDARD)	2.00
PSV/38/237	2 BOLT CORNER	1.00
PSV/54/064	M8X15 TORX BUTTON SCREW PATCHED	2.00
PSV/54/063	ALUM ACCESSORY TOGGLE M8	2.00
PSV/38/268	4 BOLT HEAVY DUTY CORNER ASSEMBLY	6.00
PSV/38/241	ALUM ACCSY 6 BOLT HEAVY DUTY CORNER	1.00
PSV/11/197	M10x20 DURLOCK BOLT PATCHED	4.00
PSV/49/954	PILLAR PACKER TOGGLE - M10	4.00
PSV/38/270	5MM STEEL FOLDED 4 BOLT CORNER 94.5 DEG	4.00
PSV/65/093	5MM STEEL CORNER BRACKET	1.00
PSV/43/348	M8x20 TORX BUTTON SCREW PATCHED	4.00
PSV/54/063	ALUM ACCESSORY TOGGLE M8	4.00
PSV/38/271	5MM STEEL FOLDED 4 BOLT CORNER 85.5 DEG	4.00
PSV/65/094	5MM STEEL CORNER BRACKET	1.00
PSV/54/063	ALUM ACCESSORY TOGGLE M8	4.00
PSV/43/348	M8x20 TORX BUTTON SCREW PATCHED	4.00
PSV/11/197	M10X20 VERBUS RIBBED BOLT	16.00
PSV/43/348	M8x20 TORX BUTTON SCREW PATCHED	5.00
PSV/65/722	M8X30 HT HEX SET 12.9 ZINC NICKEL	15.00
PSV/43/667	M8 CAD.PLATED NYLOC NUT	15.00
PSV/43/705	5/16IN.FLAT WASHER	30.00
PSV/66/247	IMIDI FRONT FRAME QUARTERLIGHT SUPPORT	1.00
PSV/66/286	FRONT FRAME BUMPER BRACKET N/S	1.00
PSV/49/949	EMERGENCY.DOOR APERTURE CORNER	2.00
PSV/49/954	PILLAR PACKER TOGGLE - M10	16.00
PSV/66/453	MIDIBUS SIDEFAME STRESS PANEL	1.00
PSV/66/454	MIDIBUS SIDEFAME STRESS PANEL	1.00
PSV/66/455	MIDIBUS SIDEFAME STRESS PANEL	1.00
PSV/66/456	MIDIBUS SIDEFAME STRESS PANEL	1.00
PSV/66/457	MIDIBUS SIDEFAME STRESS PANEL	1.00
PSV/66/463	9.5 MIDI STRESS PANEL	1.00
PSV/49/976	NEARSIDE SEALING PANEL	1.00
PSV/49/977	MIDIBUS REAR SEATBOX SUPPORT	1.00
PSV/66/482	WHEELARCH BONDING STRIP	1.00
PSV/49/991	SIDEFAME ANGLE BRACKET	6.00
PSV/66/484	SIDEFAME SUPPORT BRACKET	1.00

W01-00518

N/S FRAME 9.5M MIDIBUS SINGLE DOOR

Stock Number	Description	Quantity
PSV/66/485	SIDEFAME OFFSIDE SUPPORT BRACKET	1.00
PSV/66/630	PILLAR KIT - NEAR SIDE 9.5M MIDIBUS	1.00
PSV/66/664	BODY PILLAR ASSEMBLY	1.00
PSV/65/082	2320mm LONG 80 x 40 MID PILLAR	1.00
PSV/65/325	ALUM BOX 80x40 (7.2M)	0.32
PSV/12/979	4 BOLT CORNER ASSEMBLY (STANDARD)	6.00
PSV/54/064	M8X15 TORX BUTTON SCREW PATCHED	4.00
PSV/54/063	ALUM ACCESSORY TOGGLE M8	4.00
PSV/38/238	4 BOLT CORNER	1.00
PSV/12/980	4 BOLT CORNER ASSY (BONDED WINDOW TYPE)	2.00
PSV/38/239	ALUM ACCSY BONDED WINDOW BRACKET	1.00
PSV/54/063	ALUM ACCESSORY TOGGLE M8	4.00
PSV/43/348	M8x20 TORX BUTTON SCREW PATCHED	4.00
PSV/66/665	BODY PILLAR ASSEMBLY	1.00
PSV/65/082	2320mm LONG 80 x 40 MID PILLAR	1.00
PSV/65/325	ALUM BOX 80x40 (7.2M)	0.32
PSV/12/979	4 BOLT CORNER ASSEMBLY (STANDARD)	4.00
PSV/54/064	M8X15 TORX BUTTON SCREW PATCHED	4.00
PSV/54/063	ALUM ACCESSORY TOGGLE M8	4.00
PSV/38/238	4 BOLT CORNER	1.00
PSV/12/980	4 BOLT CORNER ASSY (BONDED WINDOW TYPE)	1.00
PSV/38/239	ALUM ACCSY BONDED WINDOW BRACKET	1.00
PSV/54/063	ALUM ACCESSORY TOGGLE M8	4.00
PSV/43/348	M8x20 TORX BUTTON SCREW PATCHED	4.00
PSV/66/666	BODY PILLAR ASSEMBLY	1.00
PSV/65/083	2320mm LONG 80x40 MID PILLAR HEAVY DUTY	1.00
PSV/65/330	80x40 x 7.2M HEAVY DUTY ALLOY SECTION	0.33
PSV/12/979	4 BOLT CORNER ASSEMBLY (STANDARD)	3.00
PSV/54/064	M8X15 TORX BUTTON SCREW PATCHED	4.00
PSV/54/063	ALUM ACCESSORY TOGGLE M8	4.00
PSV/38/238	4 BOLT CORNER	1.00
PSV/12/980	4 BOLT CORNER ASSY (BONDED WINDOW TYPE)	2.00
PSV/38/239	ALUM ACCSY BONDED WINDOW BRACKET	1.00
PSV/54/063	ALUM ACCESSORY TOGGLE M8	4.00
PSV/43/348	M8x20 TORX BUTTON SCREW PATCHED	4.00
PSV/38/268	4 BOLT HEAVY DUTY CORNER ASSEMBLY	2.00
PSV/38/241	ALUM ACCSY 6 BOLT HEAVY DUTY CORNER	1.00
PSV/11/197	M10x20 DURLOCK BOLT PATCHED	4.00
PSV/49/954	PILLAR PACKER TOGGLE - M10	4.00
PSV/66/667	BODY PILLAR ASSEMBLY	1.00
PSV/65/082	2320mm LONG 80 x 40 MID PILLAR	1.00
PSV/65/325	ALUM BOX 80x40 (7.2M)	0.32
PSV/12/979	4 BOLT CORNER ASSEMBLY (STANDARD)	4.00
PSV/54/064	M8X15 TORX BUTTON SCREW PATCHED	4.00
PSV/54/063	ALUM ACCESSORY TOGGLE M8	4.00
PSV/38/238	4 BOLT CORNER	1.00
PSV/12/980	4 BOLT CORNER ASSY (BONDED WINDOW TYPE)	2.00

W01-00518

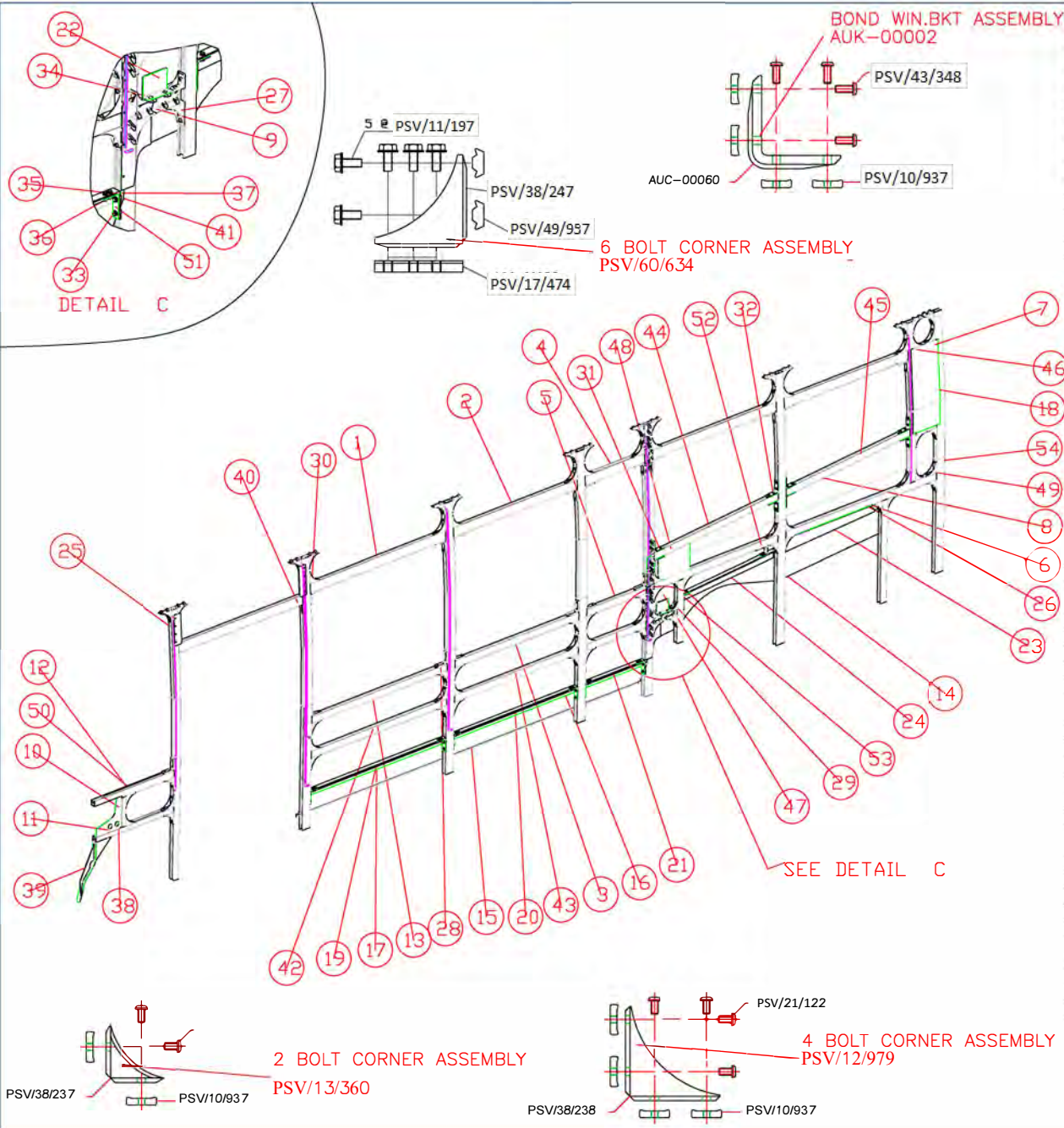
N/S FRAME 9.5M MIDIBUS SINGLE DOOR

Stock Number	Description	Quantity
PSV/38/239	ALUM ACCSY BONDED WINDOW BRACKET	1.00
PSV/54/063	ALUM ACCESSORY TOGGLE M8	4.00
PSV/43/348	M8x20 TORX BUTTON SCREW PATCHED	4.00
PSV/66/668	BODY PILLAR ASSEMBLY	1.00
PSV/65/084	2233mm LONG 80 x 40 MID PILLAR	1.00
PSV/65/325	ALUM BOX 80x40 (7.2M)	0.32
PSV/12/979	4 BOLT CORNER ASSEMBLY (STANDARD)	3.00
PSV/54/064	M8X15 TORX BUTTON SCREW PATCHED	4.00
PSV/54/063	ALUM ACCESSORY TOGGLE M8	4.00
PSV/38/238	4 BOLT CORNER	1.00
PSV/38/268	4 BOLT HEAVY DUTY CORNER ASSEMBLY	1.00
PSV/38/241	ALUM ACCSY 6 BOLT HEAVY DUTY CORNER	1.00
PSV/11/197	M10x20 DURLOCK BOLT PATCHED	4.00
PSV/49/954	PILLAR PACKER TOGGLE - M10	4.00
PSV/66/669	BODY PILLAR ASSEMBLY	1.00
PSV/65/085	2320mm LONG 60 x 40 FRONT PILLAR	1.00
PSV/38/244	ALUM BOX 60x40 (6.2M)	0.38
PSV/12/979	4 BOLT CORNER ASSEMBLY (STANDARD)	2.00
PSV/54/064	M8X15 TORX BUTTON SCREW PATCHED	4.00
PSV/54/063	ALUM ACCESSORY TOGGLE M8	4.00
PSV/38/238	4 BOLT CORNER	1.00
PSV/66/670	BODY PILLAR ASSEMBLY	1.00
PSV/65/086	1361mm LONG 60 x 40 MID PILLAR	1.00
PSV/38/244	ALUM BOX 60x40 (6.2M)	0.23
PSV/12/979	4 BOLT CORNER ASSEMBLY (STANDARD)	3.00
PSV/54/064	M8X15 TORX BUTTON SCREW PATCHED	4.00
PSV/54/063	ALUM ACCESSORY TOGGLE M8	4.00
PSV/38/238	4 BOLT CORNER	1.00
PSV/12/980	4 BOLT CORNER ASSY (BONDED WINDOW TYPE)	1.00
PSV/38/239	ALUM ACCSY BONDED WINDOW BRACKET	1.00
PSV/54/063	ALUM ACCESSORY TOGGLE M8	4.00
PSV/43/348	M8x20 TORX BUTTON SCREW PATCHED	4.00
PSV/66/675	BODY PILLAR ASSEMBLY	1.00
PSV/65/088	889mm LONG 60 x 40 BOTTOM PILLAR	1.00
PSV/38/244	ALUM BOX 60x40 (6.2M)	0.14
PSV/12/979	4 BOLT CORNER ASSEMBLY (STANDARD)	1.00
PSV/54/064	M8X15 TORX BUTTON SCREW PATCHED	4.00
PSV/54/063	ALUM ACCESSORY TOGGLE M8	4.00
PSV/38/238	4 BOLT CORNER	1.00
PSV/66/676	BODY PILLAR ASSEMBLY	1.00
PSV/65/089	545mm LONG 60 x 40 BOTTOM PILLAR	1.00
PSV/38/244	ALUM BOX 60x40 (6.2M)	0.09
PSV/12/979	4 BOLT CORNER ASSEMBLY (STANDARD)	1.00
PSV/54/064	M8X15 TORX BUTTON SCREW PATCHED	4.00
PSV/54/063	ALUM ACCESSORY TOGGLE M8	4.00
PSV/38/238	4 BOLT CORNER	1.00
PSV/13/360	2 BOLT CORNER ASSEMBLY (STANDARD)	1.00

W01-00518

N/S FRAME 9.5M MIDIBUS SINGLE DOOR

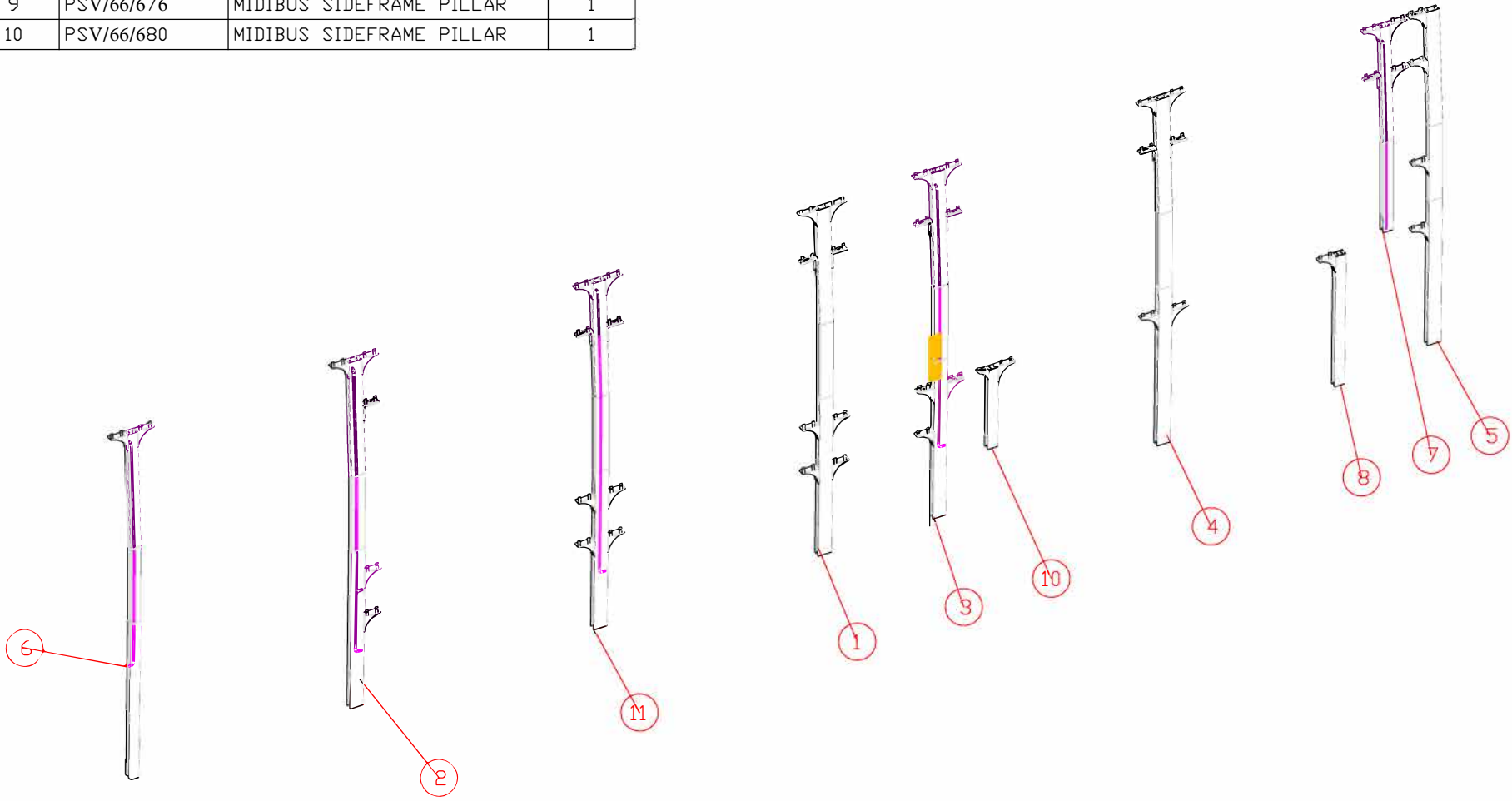
Stock Number	Description	Quantity
PSV/38/237	2 BOLT CORNER	1.00
PSV/54/064	M8X15 TORX BUTTON SCREW PATCHED	2.00
PSV/54/063	ALUM ACCESSORY TOGGLE M8	2.00
PSV/66/680	BODY PILLAR ASSEMBLY	1.00
PSV/65/082	2324mm LONG 80 x 40 MID PILLAR	1.00
PSV/65/325	ALUM BOX 80x40 (7.2M)	0.32
PSV/12/979	4 BOLT CORNER ASSEMBLY (STANDARD)	6.00
PSV/54/064	M8X15 TORX BUTTON SCREW PATCHED	4.00
PSV/54/063	ALUM ACCESSORY TOGGLE M8	4.00
PSV/38/238	4 BOLT CORNER	1.00
PSV/12/980	4 BOLT CORNER ASSY (BONDED WINDOW TYPE)	2.00
PSV/38/239	ALUM ACCSY BONDED WINDOW BRACKET	1.00
PSV/54/063	ALUM ACCESSORY TOGGLE M8	4.00
PSV/43/348	M8x20 TORX BUTTON SCREW PATCHED	4.00



Index	Part No.	Description	Qty
1	PSV/65/052	80x40mm SECTION	1
2	PSV/65/053	80x40 SIDEFRAME STRINGER	4
3	PSV/65/054	60x40 SIDEFRAME STRINGER	3
4	PSV/65/055	80x40 SIDEFRAME STRINGER	1
5	PSV/65/056	60x40 SIDEFRAME STRINGER	2
6	PSV/65/057	60x40 SIDEFRAME STRINGER	1
7	PSV/65/058	80x40 SIDEFRAME STRINGER	2
8	PSV/65/059	60x40 SIDEFRAME STRINGER	2
9	PSV/65/063	60x40 SIDEFRAME STRINGER	1
10	PSV/65/069	AUE-00128 40x40	1
11	PSV/65/070	AUE-00128 40x40	1
12	PSV/65/071	AUE-00128 40x40	1
13	PSV/65/074	60x40mm SECTION	2
14	PSV/65/075	FLAT SEATRAIL - NEAR SIDE REAR	1
15	PSV/65/081	SLOPED SEATRAIL - N/S FRONT	1
16	PSV/65/095	Sideframe sealing panel	1
17	PSV/65/096	Sideframe sealing panel	1
18	PSV/65/099	Sideframe sealing panel	1
19	PSV/65/102	MIDIBUS SEATBELT STRUCTURE	1
20	PSV/65/103	MIDIBUS SEATBELT STRUCTURE	1
21	PSV/65/104	MIDIBUS SEATBELT STRUCTURE	1
22	PSV/65/107	MIDIBUS SEAT BELT BRACKET	1
23	PSV/65/112	MIDIBUS SEATBELT BRACKET	1
24	PSV/65/113	seatbelt support bracket	1
25	PSV/65/125	MIDIBUS GLASS FINISHER	2
26	PSV/10/937	M8 TOGGLE	5
27	PSV/12/979	4 BOLT CORNER ASSY	30
28	PSV/12/980	FORGED CORNER BRACKET	7
29	PSV/13/360	2 BOLT CORNER ASSY	2
30	PSV/38/268	4 BOLT HEAVY DUTY CORNER ASSY	6
31	PSV/38/270	5mm Folded alloy 85.5 deg corner	4
32	PSV/38/271	5mm Folded alloy 94.5 deg corner	4
33	PSV/11/197	M10x20 VERBUS HT12.9 BOLT	16
34	PSV/43/348	ALUM ACCESSY BDLY M8	5
35	PSV/65/722	M8 X 30MM BOLT	15
36	PSV/43/667	M8 CAD.PLATED NYLOC NUT	15
37	PSV/43/705	5/16IN STEEL WASHER - ZINC ZICKEL	30
38	PSV/66/247	FRONT FRAME QUARTERLIGHT SUPPORT	1
39	PSV/66/286	NEARSIDE FRONT BUMPER BRACKET	1
40	PSV/49/949	EMG.DOOR APERTURE CORNER	2
41	PSV/49/954	M10 PILLAR PACKER TOGGLE	16
42	PSV/66/453	MIDIBUS SIDEFRAME STRESS PANEL	1
43	PSV/66/454	MIDIBUS SIDEFRAME STRESS PANEL	1
44	PSV/66/455	MIDIBUS SIDEFRAME STRESS PANEL	1
45	PSV/66/456	MIDIBUS SIDEFRAME STRESS PANEL	1
46	PSV/66/457	MIDIBUS SIDEFRAME STRESS PANEL	1
47	PSV/66/463	MIDIBUS SIDEFRAME SIDE PANEL	1
48	PSV/49/976	NEARSIDE SEALING PANEL	1
49	PSV/49/977	MIDIBUS REAR SEATBOX SUPPORT	1
50	PSV/66/482	WHEELARCH BONDING STRIP	1
51	PSV/49/991	SIDEFRAME ANGLE BRACKET	6
52	PSV/66/484	SIDEFRAME SUPPORT BRACKET	1
53	PSV/66/485	NEARSIDE SIDEFRAME BRACKET	1
54	PSV/66/630	9.5M MIDIBUS N/S PILLAR KIT	1

N/S FRAME - BASIC ASSEMBLY 9.5M
 W01-00518

Index	Part No.	Description	Qty
1	PSV/66/664	MIDIBUS SIDEFRAME PILLAR	1
2	PSV/66/665	MIDIBUS SIDEFRAME PILLAR	1
3	PSV/66/666	MIDIBUS SIDEFRAME PILLAR	1
4	PSV/66/667	MIDIBUS SIDEFRAME PILLAR	1
5	PSV/66/668	MIDIBUS SIDEFRAME PILLAR	1
6	PSV/66/669	MIDIBUS SIDEFRAME PILLAR	1
7	PSV/66/670	MIDIBUS SIDEFRAME PILLAR	1
8	PSV/66/675	MIDIBUS SIDEFRAME PILLAR	1
9	PSV/66/676	MIDIBUS SIDEFRAME PILLAR	1
10	PSV/66/680	MIDIBUS SIDEFRAME PILLAR	1



W01-00518 - PAK-00191
N/S FRAME - BASIC ASSEMBLY 9.5M - PILLAR KIT

W01-00519

O/S FRAME 9.5M MIDIBUS SINGLE DOOR

Stock Number	Description	Quantity
PSV/65/053	1288 MM LONG 80 x 40 STRINGER AUE-00002	3.00
PSV/11/156	ALUM BOX 80 x 40 (7.7M)	0.17
PSV/65/054	1288 MM LONG 60 x 40 STRINGER AUE-00001	5.00
PSV/38/244	ALUM BOX 60x40 (6.2M)	0.21
PSV/65/059	1297 MM LONG 60 x 40 STRINGER AUE-00001	2.00
PSV/38/244	ALUM BOX 60x40 (6.2M)	0.21
PSV/65/060	763 MM LONG 80 x 40 STRINGER AUE-00002	1.00
PSV/11/156	ALUM BOX 80 x 40 (7.7M)	0.10
PSV/65/061	1143 MM LONG 80 x 40 STRINGER AUE-00002	1.00
PSV/11/156	ALUM BOX 80 x 40 (7.7M)	0.14
PSV/65/062	1143 MM LONG 60 x 40 STRINGER AUE-00001	2.00
PSV/38/244	ALUM BOX 60x40 (6.2M)	0.19
PSV/65/063	249 MM LONG 60 x 40 STRINGER AUE-00001	1.00
PSV/38/244	ALUM BOX 60x40 (6.2M)	0.04
PSV/65/064	238 MM LONG 60 x 40 STRINGER AUE-00001	1.00
PSV/38/244	ALUM BOX 60x40 (6.2M)	0.14
PSV/65/065	763 MM LONG 40 x 40 STRINGER AUE-00128	1.00
PSV/11/148	ALUM ECON.BOX 40x40 6.0M	0.13
PSV/65/066	791 MM LONG 80 x 40 STRINGER AUE-00002	1.00
PSV/11/156	ALUM BOX 80 x 40 (7.7M)	0.11
PSV/65/067	178 MM LONG 80 x 40 STRINGER AUE-00002	2.00
PSV/11/156	ALUM BOX 80 x 40 (7.7M)	0.03
PSV/65/068	1528 MM LONG 60 x 40 STRINGER AUE-00001	1.00
PSV/38/244	ALUM BOX 60x40 (6.2M)	0.25
PSV/65/014	928 MM LONG 60 x 40 STRINGER AUE-00001	1.00
PSV/38/244	ALUM BOX 60x40 (6.2M)	0.23
PSV/65/069	279 MM LONG 40 x 40 STRINGER AUE-00128	1.00
PSV/11/148	ALUM ECON.BOX 40x40 6.0M	0.04
PSV/65/015	908 MM LONG 40 x 40 STRINGER AUE-00128	1.00
PSV/11/148	ALUM ECON.BOX 40x40 6.0M	0.15
PSV/65/073	675 MM LONG 60 x 40 STRINGER AUE-00001	1.00
PSV/38/244	ALUM BOX 60x40 (6.2M)	0.11
PSV/65/076	9.5M MIDIBUS OFF SIDE FRONT SEATRAIL	1.00
PSV/38/248	MILL.ALUM.S'RAIL FLAT 6.0M	0.55
PSV/65/077	MIDIBUS OFF SIDE REAR SEATRAIL	1.00
PSV/65/327	MILL.ALUM.S'RAIL FLO 6.0	0.40
PSV/65/097	MIDIBUS SIDEFAME SEALING PANEL	1.00
PSV/65/288	ALUM SHT.2500x1250x1.2mm(18G)	0.13
PSV/65/098	MIDIBUS SIDEFAME SEALING PANEL	1.00
PSV/65/288	ALUM SHT.2500x1250x1.2mm(18G)	0.16
PSV/65/100	MIDIBUS SIDEFAME SEALING PANEL	1.00
PSV/65/288	ALUM SHT.2500x1250x1.2mm(18G)	0.09
PSV/65/101	9.5M MIDIBUS TIP-UP SEAT GROUND	2.00
PSV/65/290	ALUM. ALLOY SHT.2500x1250x5mm 5251 H22	0.03
PSV/65/103	MIDIBUS SEAT RAIL SUPPORT	1.00
PSV/65/282	ALUM ANGLE 38x38x5mm (5M)	0.26
PSV/65/105	MIDIBUS SEAT RAIL SUPPORT	1.00
PSV/65/282	ALUM ANGLE 38x38x5mm (5M)	0.14

W01-00519

O/S FRAME 9.5M MIDIBUS SINGLE DOOR

Stock Number	Description	Quantity
PSV/65/106	MIDIBUS SEAT RAIL SUPPORT	1.00
PSV/65/282	ALUM ANGLE 38x38x5mm (5M)	0.21
PSV/65/107	MIDIBUS SEAT RAIL SUPPORT BRACKET	1.00
PSV/65/290	ALUM. ALLOY SHT.2500x1250x5mm 5251 H22	0.01
PSV/65/108	MIDIBUS SEAT RAIL SUPPORT BRACKET	1.00
PSV/65/290	ALUM. ALLOY SHT.2500x1250x5mm 5251 H22	0.06
PSV/65/109	MIDIBUS SIDEFAME SEALING PANEL	1.00
PSV/65/288	ALUM SHT.2500x1250x1.2mm(18G)	0.06
PSV/65/110	FLOOR SUPPORT BRACKET	1.00
PSV/65/284	ALUM ANGLE 51x38x3mm (5M)	0.17
PSV/65/114	MIDIBUS SEAT RAIL SUPPORT	1.00
PSV/65/285	ALUM ANGLE 76x38x3mm (5M)	0.19
PSV/36/149	DOOR HINGE PACKER	16.00
PSV/54/063	ALUM ACCESSORY TOGGLE M8	2.00
PSV/12/979	4 BOLT CORNER ASSEMBLY (STANDARD)	30.00
PSV/54/064	M8X15 TORX BUTTON SCREW PATCHED	4.00
PSV/54/063	ALUM ACCESSORY TOGGLE M8	4.00
PSV/38/238	4 BOLT CORNER	1.00
PSV/12/980	4 BOLT CORNER ASSY (BONDED WINDOW TYPE)	8.00
PSV/38/239	ALUM ACCSY BONDED WINDOW BRACKET	1.00
PSV/54/063	ALUM ACCESSORY TOGGLE M8	4.00
PSV/43/348	M8x20 TORX BUTTON SCREW PATCHED	4.00
PSV/13/360	2 BOLT CORNER ASSEMBLY (STANDARD)	11.00
PSV/38/237	2 BOLT CORNER	1.00
PSV/54/064	M8X15 TORX BUTTON SCREW PATCHED	2.00
PSV/54/063	ALUM ACCESSORY TOGGLE M8	2.00
PSV/38/268	4 BOLT HEAVY DUTY CORNER ASSEMBLY	4.00
PSV/38/241	ALUM ACCSY 6 BOLT HEAVY DUTY CORNER	1.00
PSV/11/197	M10x20 DURLOCK BOLT PATCHED	4.00
PSV/49/954	PILLAR PACKER TOGGLE - M10	4.00
PSV/38/270	5MM STEEL FOLDED 4 BOLT CORNER 94.5 DEG	4.00
PSV/65/093	5MM STEEL CORNER BRACKET	1.00
PSV/43/348	M8x20 TORX BUTTON SCREW PATCHED	4.00
PSV/54/063	ALUM ACCESSORY TOGGLE M8	4.00
PSV/38/271	5MM STEEL FOLDED 4 BOLT CORNER 85.5 DEG	4.00
PSV/65/094	5MM STEEL CORNER BRACKET	1.00
PSV/54/063	ALUM ACCESSORY TOGGLE M8	4.00
PSV/43/348	M8x20 TORX BUTTON SCREW PATCHED	4.00
PSV/11/197	M10X20 VERBUS RIBBED BOLT	16.00
PSV/43/348	M8x20 TORX BUTTON SCREW PATCHED	2.00
PSV/65/722	M8X30 HT HEX SET 12.9 ZINC NICKEL	15.00
PSV/43/667	M8 CAD.PLATED NYLOC NUT	15.00
PSV/43/705	5/16IN.FLAT WASHER	30.00
PSV/66/119	IMIDI FRONT FRAME QUARTERLIGHT SUPPORT	1.00
PSV/66/287	FRONT FRAME BUMPER BRACKET O/S	1.00
PSV/49/949	EMERGENCY.DOOR APERTURE CORNER	4.00
PSV/49/954	PILLAR PACKER TOGGLE - M10	16.00
PSV/66/458	MIDIBUS SIDEFAME STRESS PANEL	1.00

W01-00519

O/S FRAME 9.5M MIDIBUS SINGLE DOOR

Stock Number	Description	Quantity
PSV/66/459	MIDIBUS SIDEFAME STRESS PANEL	1.00
PSV/66/460	MIDIBUS SIDEFAME STRESS PANEL	1.00
PSV/66/461	MIDIBUS SIDEFAME STRESS PANEL	1.00
PSV/66/462	MIDIBUS SIDEFAME STRESS PANEL	1.00
PSV/66/464	9.5 MIDIBUS SIDEFAME STRESS PANEL	1.00
PSV/66/465	OFFSIDE SEALING PANEL	1.00
PSV/49/978	MIDIBUS REAR SEATBOX SUPPORT	1.00
PSV/66/483	WHEEL ARCH BONDING BRACKET	1.00
PSV/49/991	SIDEFAME ANGLE BRACKET	6.00
PSV/66/484	SIDEFAME SUPPORT BRACKET	1.00
PSV/66/486	SIDEFAME NEAR SIDE SUPPORT BRACKET	1.00
PSV/66/631	PILLAR KIT - OFF SIDE 9.5M MIDIBUS	1.00
PSV/66/667	BODY PILLAR ASSEMBLY	1.00
PSV/65/082	2320mm LONG 80 x 40 MID PILLAR	1.00
PSV/65/325	ALUM BOX 80x40 (7.2M)	0.32
PSV/12/979	4 BOLT CORNER ASSEMBLY (STANDARD)	4.00
PSV/54/064	M8X15 TORX BUTTON SCREW PATCHED	4.00
PSV/54/063	ALUM ACCESSORY TOGGLE M8	4.00
PSV/38/238	4 BOLT CORNER	1.00
PSV/12/980	4 BOLT CORNER ASSY (BONDED WINDOW TYPE)	2.00
PSV/38/239	ALUM ACCSY BONDED WINDOW BRACKET	1.00
PSV/54/063	ALUM ACCESSORY TOGGLE M8	4.00
PSV/43/348	M8x20 TORX BUTTON SCREW PATCHED	4.00
PSV/66/671	BODY PILLAR ASSEMBLY	1.00
PSV/65/087	1420mm LONG 80 x 40 REAR PILLAR	1.00
PSV/65/325	ALUM BOX 80x40 (7.2M)	0.20
PSV/12/979	4 BOLT CORNER ASSEMBLY (STANDARD)	2.00
PSV/54/064	M8X15 TORX BUTTON SCREW PATCHED	4.00
PSV/54/063	ALUM ACCESSORY TOGGLE M8	4.00
PSV/38/238	4 BOLT CORNER	1.00
PSV/38/268	4 BOLT HEAVY DUTY CORNER ASSEMBLY	1.00
PSV/38/241	ALUM ACCSY 6 BOLT HEAVY DUTY CORNER	1.00
PSV/11/197	M10x20 DURLOCK BOLT PATCHED	4.00
PSV/49/954	PILLAR PACKER TOGGLE - M10	4.00
PSV/66/672	BODY PILLAR ASSEMBLY	1.00
PSV/65/086	1361mm LONG 60 x 40 MID PILLAR	1.00
PSV/38/244	ALUM BOX 60x40 (6.2M)	0.23
PSV/12/979	4 BOLT CORNER ASSEMBLY (STANDARD)	3.00
PSV/54/064	M8X15 TORX BUTTON SCREW PATCHED	4.00
PSV/54/063	ALUM ACCESSORY TOGGLE M8	4.00
PSV/38/238	4 BOLT CORNER	1.00
PSV/12/980	4 BOLT CORNER ASSY (BONDED WINDOW TYPE)	1.00
PSV/38/239	ALUM ACCSY BONDED WINDOW BRACKET	1.00
PSV/54/063	ALUM ACCESSORY TOGGLE M8	4.00
PSV/43/348	M8x20 TORX BUTTON SCREW PATCHED	4.00
PSV/66/673	BODY PILLAR ASSEMBLY	1.00
PSV/65/083	2320mm LONG 80x40 MID PILLAR HEAVY DUTY	1.00

W01-00519

O/S FRAME 9.5M MIDIBUS SINGLE DOOR

Stock Number	Description	Quantity
PSV/65/330	80x40 x 7.2M HEAVY DUTY ALLOY SECTION	0.33
PSV/12/979	4 BOLT CORNER ASSEMBLY (STANDARD)	2.00
PSV/54/064	M8X15 TORX BUTTON SCREW PATCHED	4.00
PSV/54/063	ALUM ACCESSORY TOGGLE M8	4.00
PSV/38/238	4 BOLT CORNER	1.00
PSV/12/980	4 BOLT CORNER ASSY (BONDED WINDOW TYPE)	1.00
PSV/38/239	ALUM ACCSY BONDED WINDOW BRACKET	1.00
PSV/54/063	ALUM ACCESSORY TOGGLE M8	4.00
PSV/43/348	M8x20 TORX BUTTON SCREW PATCHED	4.00
PSV/38/268	4 BOLT HEAVY DUTY CORNER ASSEMBLY	1.00
PSV/38/241	ALUM ACCSY 6 BOLT HEAVY DUTY CORNER	1.00
PSV/11/197	M10x20 DURLOCK BOLT PATCHED	4.00
PSV/49/954	PILLAR PACKER TOGGLE - M10	4.00
PSV/66/674	BODY PILLAR ASSEMBLY	1.00
PSV/65/082	2320mm LONG 80 x 40 MID PILLAR	1.00
PSV/65/325	ALUM BOX 80x40 (7.2M)	0.32
PSV/12/979	4 BOLT CORNER ASSEMBLY (STANDARD)	4.00
PSV/54/064	M8X15 TORX BUTTON SCREW PATCHED	4.00
PSV/54/063	ALUM ACCESSORY TOGGLE M8	4.00
PSV/38/238	4 BOLT CORNER	1.00
PSV/12/980	4 BOLT CORNER ASSY (BONDED WINDOW TYPE)	1.00
PSV/38/239	ALUM ACCSY BONDED WINDOW BRACKET	1.00
PSV/54/063	ALUM ACCESSORY TOGGLE M8	4.00
PSV/43/348	M8x20 TORX BUTTON SCREW PATCHED	4.00
PSV/53/494	BODY PILLAR ASSEMBLY	1.00
PSV/65/091	957mm LONG 80 x 40 BOTTOM PILLAR	1.00
PSV/11/156	ALUM BOX 80 x 40 (7.7M)	0.12
PSV/12/979	4 BOLT CORNER ASSEMBLY (STANDARD)	1.00
PSV/54/064	M8X15 TORX BUTTON SCREW PATCHED	4.00
PSV/54/063	ALUM ACCESSORY TOGGLE M8	4.00
PSV/38/238	4 BOLT CORNER	1.00
PSV/12/980	4 BOLT CORNER ASSY (BONDED WINDOW TYPE)	1.00
PSV/38/239	ALUM ACCSY BONDED WINDOW BRACKET	1.00
PSV/54/063	ALUM ACCESSORY TOGGLE M8	4.00
PSV/43/348	M8x20 TORX BUTTON SCREW PATCHED	4.00
PSV/66/675	BODY PILLAR ASSEMBLY	1.00
PSV/65/088	889mm LONG 60 x 40 BOTTOM PILLAR	1.00
PSV/38/244	ALUM BOX 60x40 (6.2M)	0.14
PSV/12/979	4 BOLT CORNER ASSEMBLY (STANDARD)	1.00
PSV/54/064	M8X15 TORX BUTTON SCREW PATCHED	4.00
PSV/54/063	ALUM ACCESSORY TOGGLE M8	4.00
PSV/38/238	4 BOLT CORNER	1.00
PSV/66/676	BODY PILLAR ASSEMBLY	1.00
PSV/65/089	545mm LONG 60 x 40 BOTTOM PILLAR	1.00
PSV/38/244	ALUM BOX 60x40 (6.2M)	0.09
PSV/12/979	4 BOLT CORNER ASSEMBLY (STANDARD)	1.00
PSV/54/064	M8X15 TORX BUTTON SCREW PATCHED	4.00

W01-00519

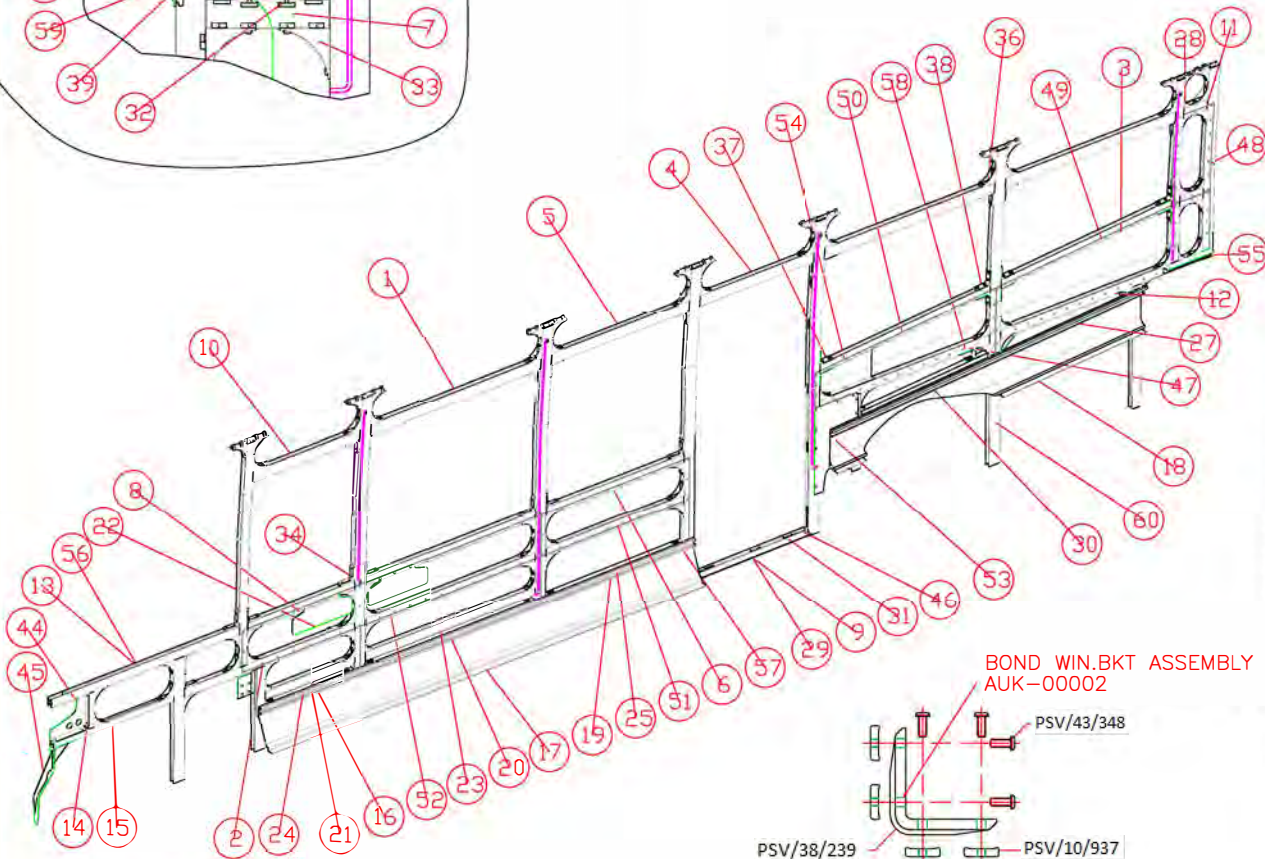
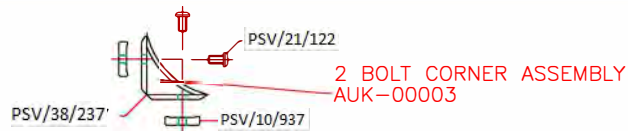
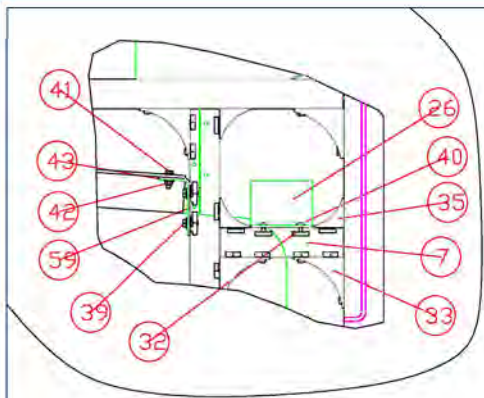
O/S FRAME 9.5M MIDIBUS SINGLE DOOR

Stock Number	Description	Quantity
PSV/54/063	ALUM ACCESSORY TOGGLE M8	4.00
PSV/38/238	4 BOLT CORNER	1.00
PSV/13/360	2 BOLT CORNER ASSEMBLY (STANDARD)	1.00
PSV/38/237	2 BOLT CORNER	1.00
PSV/54/064	M8X15 TORX BUTTON SCREW PATCHED	2.00
PSV/54/063	ALUM ACCESSORY TOGGLE M8	2.00
PSV/66/677	BODY PILLAR ASSEMBLY	1.00
PSV/65/090	599mm LONG 80 x 40 BOTTOM PILLAR	1.00
PSV/65/325	ALUM BOX 80x40 (7.2M)	0.09
PSV/12/979	4 BOLT CORNER ASSEMBLY (STANDARD)	1.00
PSV/54/064	M8X15 TORX BUTTON SCREW PATCHED	4.00
PSV/54/063	ALUM ACCESSORY TOGGLE M8	4.00
PSV/38/238	4 BOLT CORNER	1.00
PSV/66/468	MIDIBUS OS BATHTUB ASSY	1.00
PSV/11/197	M10x20 VERBUS RIBBED BOLT - PRECOTE 80	4.00
PSV/49/954	PILLAR PACKER TOGGLE - M10	4.00
PSV/66/467	MIDIBUS OS BATHTUB BRACKET	1.00
PSV/66/474	MIDI BATHTUB BRKT SPACER	1.00
PSV/66/678	BODY PILLAR ASSEMBLY	1.00
PSV/65/092	1661mm LONG 60 x 40 MID PILLAR	1.00
PSV/38/244	ALUM BOX 60x40 (6.2M)	0.27
PSV/12/979	4 BOLT CORNER ASSEMBLY (STANDARD)	2.00
PSV/54/064	M8X15 TORX BUTTON SCREW PATCHED	4.00
PSV/54/063	ALUM ACCESSORY TOGGLE M8	4.00
PSV/38/238	4 BOLT CORNER	1.00
PSV/12/980	4 BOLT CORNER ASSY (BONDED WINDOW TYPE)	1.00
PSV/38/239	ALUM ACCSY BONDED WINDOW BRACKET	1.00
PSV/54/063	ALUM ACCESSORY TOGGLE M8	4.00
PSV/43/348	M8x20 TORX BUTTON SCREW PATCHED	4.00
PSV/66/679	BODY PILLAR ASSEMBLY	1.00
PSV/65/082	2324mm LONG 80 x 40 MID PILLAR	1.00
PSV/65/325	ALUM BOX 80x40 (7.2M)	0.32
PSV/12/979	4 BOLT CORNER ASSEMBLY (STANDARD)	6.00
PSV/54/064	M8X15 TORX BUTTON SCREW PATCHED	4.00
PSV/54/063	ALUM ACCESSORY TOGGLE M8	4.00
PSV/38/238	4 BOLT CORNER	1.00
PSV/12/980	4 BOLT CORNER ASSY (BONDED WINDOW TYPE)	2.00
PSV/38/239	ALUM ACCSY BONDED WINDOW BRACKET	1.00
PSV/54/063	ALUM ACCESSORY TOGGLE M8	4.00
PSV/43/348	M8x20 TORX BUTTON SCREW PATCHED	4.00
PSV/65/668	SINGLE CORE CABLE BLACK 1.0mm	0.06
PSV/42/322	SPLIT SLEEVING	0.06
PSV/65/671	SINGLE CORE CABLE WHITE 1.0mm	6.30
PSV/66/681	BODY PILLAR ASSEMBLY	1.00
PSV/65/082	2324mm LONG 80 x 40 MID PILLAR	1.00
PSV/65/325	ALUM BOX 80x40 (7.2M)	0.32
PSV/12/979	4 BOLT CORNER ASSEMBLY (STANDARD)	6.00

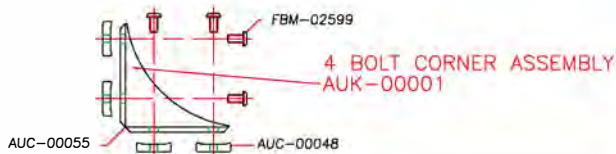
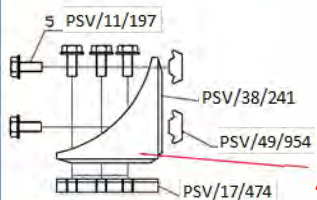
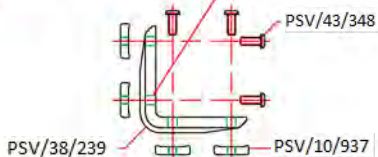
W01-00519

O/S FRAME 9.5M MIDIBUS SINGLE DOOR

Stock Number	Description	Quantity
PSV/54/064	M8X15 TORX BUTTON SCREW PATCHED	4.00
PSV/54/063	ALUM ACCESSORY TOGGLE M8	4.00
PSV/38/238	4 BOLT CORNER	1.00
PSV/12/980	4 BOLT CORNER ASSY (BONDED WINDOW TYPE)	2.00
PSV/38/239	ALUM ACCSY BONDED WINDOW BRACKET	1.00
PSV/54/063	ALUM ACCESSORY TOGGLE M8	4.00
PSV/43/348	M8x20 TORX BUTTON SCREW PATCHED	4.00



BOND WIN.BKT ASSEMBLY
AUK-00002

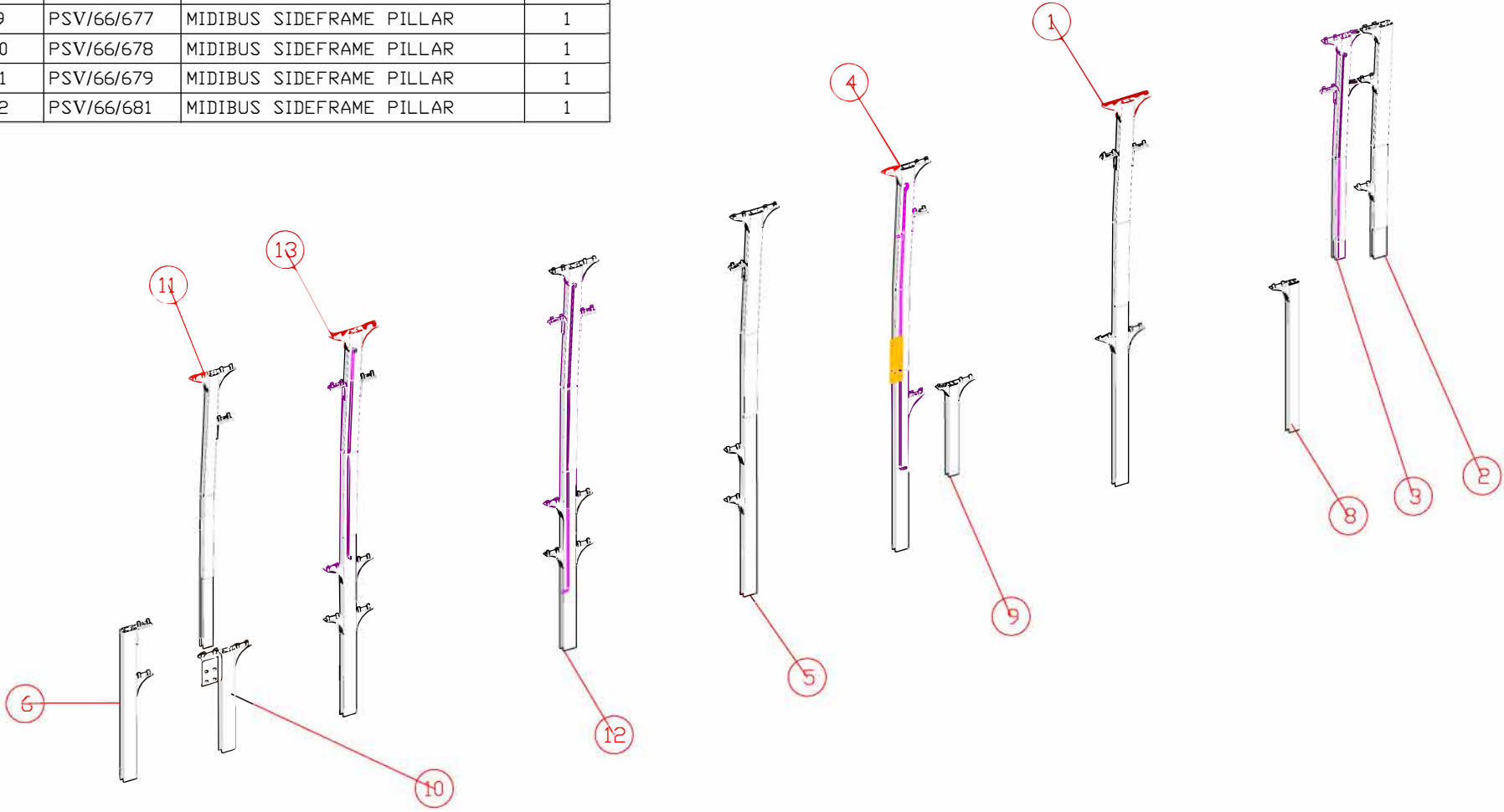


Index	Part No	Description	Qty
1	PSV/65/053	80x40 SIREFRAME STRINGER	3
2	PSV/65/054	60x40 SIREFRAME STRINGER	5
3	PSV/65/059	60x40 SIREFRAME STRINGER	2
4	PSV/65/054	863mm 80x40 SIDEFRAME STRINGER	1
5	PSV/70/836	80x40 SIREFRAME STRINGER	1
6	PSV/65/062	1043mm 60x40 SIDEFRAME STRINGER	2
7	PSV/65/063	60x40 SIREFRAME STRINGER	1
8	PSV/65/064	60x40 SIDEFRAME STRINGER	1
9	PSV/65/065	EMERGENCY DOOR STEP BAIL	1
10	PSV/65/066	80x40 SIREFRAME STRINGER	1
11	PSV/65/067	80x40 SIDEFRAME STRINGER	2
12	PSV/70/923	60x40 SIREFRAME STRINGER	1
13	PSV/65/014	60 x 40 SIDEFRAME	1
14	PSV/65/069	AUE-00128 40x40	1
15	PSV/65/015	908mm AUE-00128 40x40	1
16	PSV/65/073	60x40 SIDEFRAME STRINGER	1
17	PSV/65/076	32930 OFFSIDE SEATRAIL FLAT	1
18	PSV/65/077	FLAT SEATRAIL OFF SIDE REAR	1
19	PSV/65/097	Sideframe Sealing Panel	1
20	PSV/65/098	Sideframe Sealing Panel	1
21	PSV/65/100	Sideframe Sealing Panel	1
22	PSV/65/101	TIP-UP SEAT GROUND	2
23	PSV/70/837	MIDIBUS SEATBELT STRUCTURE	1
24	PSV/65/105	MIDIBUS SEATBELT STRUCTURE	1
25	PSV/65/106	MIDIBUS SEATBELT STRUCTURE	1
26	PSV/70/924	MIDIBUS SEAT BELT BRACKET	1
27	PSV/65/108	MUURUS SEATBELT BRACKET	1
28	PSV/70/925	SIDEFRAME SEALING PANEL	1
29	PSV/65/110	FLOOR SUPPORT BRACKET	1
30	PSV/65/114	seatbelt support bracke	1
31	PSV/36/149	3 BOLT PILLAR PACKER	16
32	PSV/10/937	M8 TOGGLE	2
33	PSV/12/979	4 BOLT CORNER ASSY	30
34	PSV/12/980	FORGED CORNER BRACKET	8
35	PSV/13/360	2 BOLT CORNER ASSY	11
36	PSV/38/268	4 BOLT HEAVY DUTY CORNER ASSY	4
37	PSV/38/270	5mm Folded alloy 85.5 deg corner	4
38	PSV/38/271	5mm Folded alloy 94.5 deg corner	4
39	PSV/11/197	M10x20 VERBUS HT129 BOLT	16
40	PSV/43/348	ALUM ACCESSY BOLT HO	2
41	PSV/62/961	M8 X 30MM BOLT	15
42	PSV/70/926	M8 CADPLATED NYLDE NUT	15
43	PSV/43/705	5/16IN STEEL WASHER ZINC ZICKEL	30
44	PSV/70/927	FRONT FRAME QUARTERLIGHT SUPPORT	1
45	PSV/66/287	OFFSIDE FRONT BUMPER BRACKET	1
46	PSV/49/949	EMG DOOR APERTURE CORNER	4
47	PSV/49/954	M10 PILLAR PACKER TOGGLE	16
48	PSV/66/458	MIDIBUS SIDEFRAME STRESS PANEL	1
49	PSV/66/459	MIDIBUS SIDEFRAME STRESS PANEL	1
50	PSV/66/460	MIDIBUS SIDEFRAME STRESS PANEL	1
51	PSV/70/928	MIDIBUS SIDEFRAME STRESS PANEL	1
52	PSV/66/462	MIDIBUS SIDEFRAME STRESS PANEL	1
53	PSV/66/464	MEDIBUS SIDEFRAME SIDE PANEL	1
54	PSV/66/465	OFFSIDE SEALING PANEL	1
55	PSV/49/978	REARSEAT BOX SUPPORT BRACKET	1
56	PSV/66/483	WHEELARCH BONDING STRIP	1
57	PSV/49/991	SIDEFRAME ANGLE BRACKET	6
58	PSV/66/484	SIDEFRAME SUPPORT BRACKET	1
59	PSV/66/486	OFFSIDE SIREFRAME BRACKET	1
60	PSV/66/631	9.5M MIDIBUS O/S PILLAR KIT	1

O/S FRAME - BASIC ASSEMBLY

W01-00519

Index	Part No.	Description	Qty
1	PSV/66/667	MIDIBUS SIDEFRAME PILLAR	1
2	PSV/66/671	MIDIBUS SIDEFRAME PILLAR	1
3	PSV/66/672	MIDIBUS SIDEFRAME PILLAR	1
4	PSV/66/673	MIDIBUS SIDEFRAME PILLAR	1
5	PSV/66/674	MIDIBUS SIDEFRAME PILLAR	1
6	PSV/53/494	MIDIBUS SIDEFRAME PILLAR	1
7	PSV/66/675	MIDIBUS SIDEFRAME PILLAR	1
8	PSV/66/676	MIDIBUS SIDEFRAME PILLAR	1
9	PSV/66/677	MIDIBUS SIDEFRAME PILLAR	1
10	PSV/66/678	MIDIBUS SIDEFRAME PILLAR	1
11	PSV/66/679	MIDIBUS SIDEFRAME PILLAR	1
12	PSV/66/681	MIDIBUS SIDEFRAME PILLAR	1



W01-00519 - PAK-00192
O/S FRAME - BASIC ASSEMBLY - PILLAR KIT

WO2-00203

9.5M MIDIBUS ROOF FRAME - BASIC ASSEMBLY

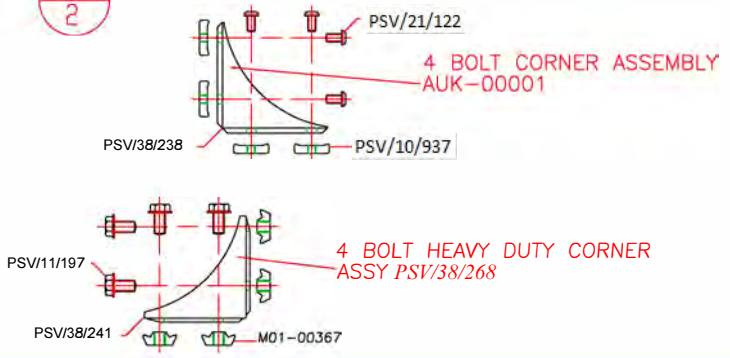
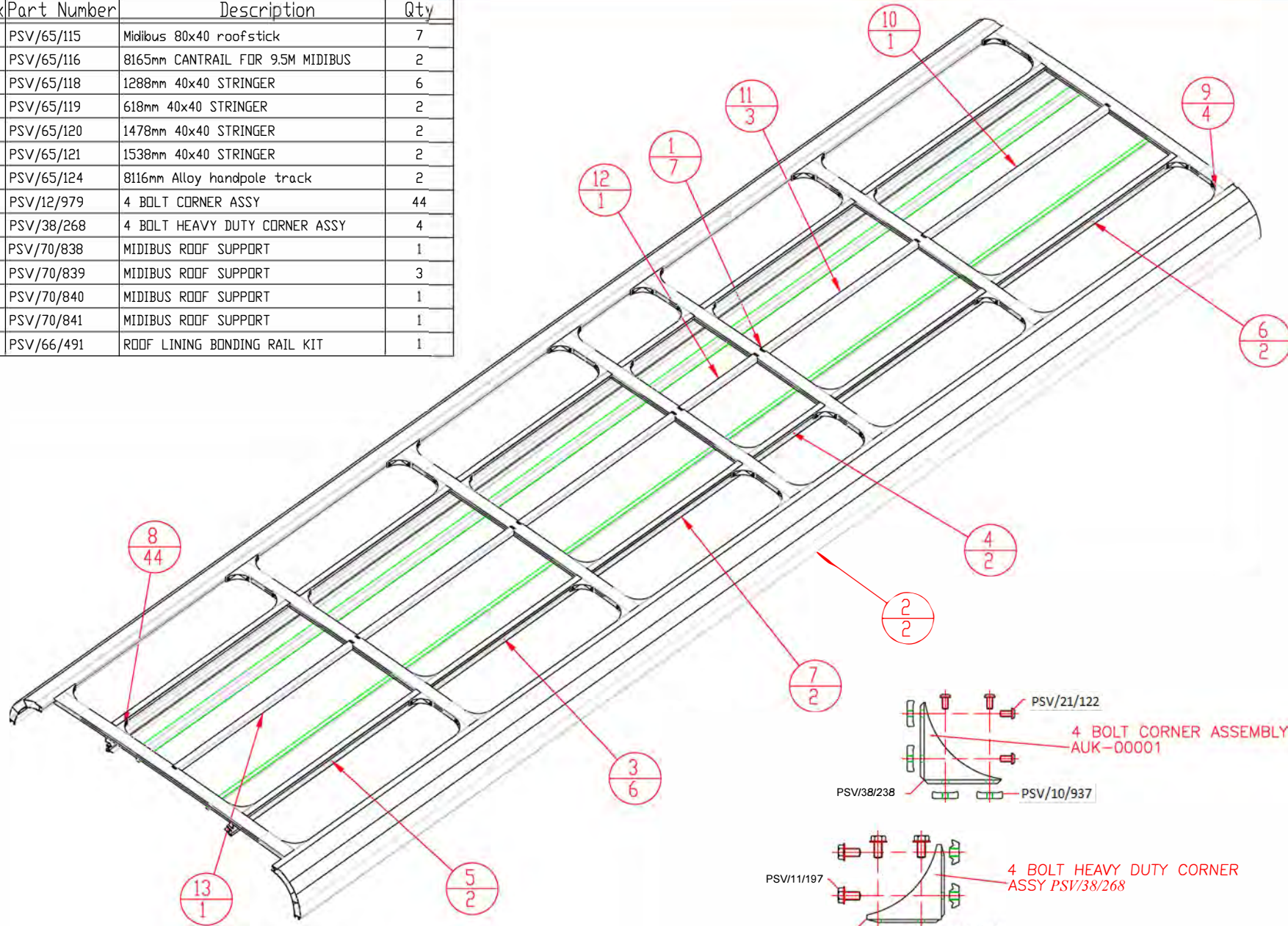
Stock Number	Description	Quantity
PSV/65/115	MIDIBUS ROOFSTICK 80x40	7.00
PSV/11/156	ALUM BOX 80 x 40 (7.7M)	0.24
PSV/65/116	CANTRAIL FOR 9.5M MIDIBUS	2.00
PSV/65/331	8.4M CANTRAIL FOR 9.5M MIDIBUS	0.98
PSV/65/117	373mm x 40 x 40 STRINGER - AUE-00128	2.00
PSV/11/148	ALUM ECON.BOX 40x40 6.0M	0.10
PSV/65/118	1288x40x40 STRINGER	4.00
PSV/11/148	ALUM ECON.BOX 40x40 6.0M	0.22
PSV/65/119	618x40x40 STRINGER	2.00
PSV/11/148	ALUM ECON.BOX 40x40 6.0M	0.10
PSV/65/120	1528x40x40 STRINGER	2.00
PSV/11/148	ALUM ECON.BOX 40x40 6.0M	0.25
PSV/65/121	1538x40x40 STRINGER	2.00
PSV/11/148	ALUM ECON.BOX 40x40 6.0M	0.26
PSV/65/122	1165x40x40 STRINGER	2.00
PSV/11/148	ALUM ECON.BOX 40x40 6.0M	0.20
PSV/65/123	MIDIBUS PARTITION STRINGER	1.00
PSV/11/148	ALUM ECON.BOX 40x40 6.0M	0.17
PSV/65/124	HANDPOLE TRACK 8066MM	2.00
PSV/65/332	HANDPOLE EXTRUSION 8.5M	0.96
PSV/65/126	HEATER PIPE SUPPORT BRACKET	4.00
PSV/65/287	ALUM SHT.2500x1250x6MM	0.00
PSV/62/276	ADH SIKA 205 CLEAN 1 LITRE	1.50
PSV/65/265	ADH SIKA 255FC BLACK 310	3.00
PSV/62/280	SIKA 255FC BLACK 600ML SAUSAGE	14.00
PSV/62/281	SIKA 552 WHITE 600ML SAUSAGE	5.00
PSV/37/576	ADH SEAL.EVOMASTIC 370CC	0.25
PSV/65/291	ALUM R/COIL 1910 WIDE x 1mm thk MIDIBUS	8.20
PSV/54/063	ALUM ACCESSORY TOGGLE M8	8.00
PSV/12/979	4 BOLT CORNER ASSEMBLY (STANDARD)	44.00
PSV/54/064	M8X15 TORX BUTTON SCREW PATCHED	4.00
PSV/54/063	ALUM ACCESSORY TOGGLE M8	4.00
PSV/38/238	4 BOLT CORNER	1.00
PSV/13/360	2 BOLT CORNER ASSEMBLY (STANDARD)	8.00
PSV/38/237	2 BOLT CORNER	1.00
PSV/54/064	M8X15 TORX BUTTON SCREW PATCHED	2.00
PSV/54/063	ALUM ACCESSORY TOGGLE M8	2.00
PSV/38/268	4 BOLT HEAVY DUTY CORNER ASSEMBLY	4.00
PSV/38/241	ALUM ACCSY 6 BOLT HEAVY DUTY CORNER	1.00
PSV/11/197	M10x20 DURLOCK BOLT PATCHED	4.00
PSV/49/954	PILLAR PACKER TOGGLE - M10	4.00
PSV/54/064	M8X15 TORX BUTTON SCREW PATCHED	8.00
PSV/66/316	DOME CANT RAIL SUPPORT PLATE O/S FRONT	1.00
PSV/66/317	DOME CANT RAIL SUPPORT PLATE N/S FRONT	1.00
PSV/66/319	DOME CANT RAIL SUPPORT PLATE N/S REAR	1.00
PSV/66/320	DOME CANT RAIL SUPPORT PLATE O/S REAR	1.00
PSV/66/491	ROOF LINING BONDING RAIL KIT	1.00

W02-00203

9.5M MIDIBUS ROOF FRAME - BASIC ASSEMBLY

Stock Number	Description	Quantity
PSV/66/487	ROOF LINING BONDING RAIL	2.00
PSV/66/488	ROOF LINING BONDING RAIL	2.00
PSV/66/489	ROOF LINING BONDING RAIL	2.00
PSV/66/490	ROOF LINING BONDING RAIL	2.00
PSV/66/493	MIDI ROOF HEATER ATTACH BRACKET	2.00
PSV/66/614	MIDIBUS PARTTION BRACKET ASSEMBLY	1.00
PSV/66/611	MIDIBUS PARTTION BRACKET PART	1.00
PSV/66/612	MIDIBUS PARTTION BRACKET GUSSET	1.00

Index	Part Number	Description	Qty
1	PSV/65/115	Midibus 80x40 roofstick	7
2	PSV/65/116	8165mm CANTRAIL FOR 9.5M MIDIBUS	2
3	PSV/65/118	1288mm 40x40 STRINGER	6
4	PSV/65/119	618mm 40x40 STRINGER	2
5	PSV/65/120	1478mm 40x40 STRINGER	2
6	PSV/65/121	1538mm 40x40 STRINGER	2
7	PSV/65/124	8116mm Alloy handpole track	2
8	PSV/12/979	4 BOLT CORNER ASSY	44
9	PSV/38/268	4 BOLT HEAVY DUTY CORNER ASSY	4
10	PSV/70/838	MIDIBUS ROOF SUPPORT	1
11	PSV/70/839	MIDIBUS ROOF SUPPORT	3
12	PSV/70/840	MIDIBUS ROOF SUPPORT	1
13	PSV/70/841	MIDIBUS ROOF SUPPORT	1
14	PSV/66/491	ROOF LINING BONDING RAIL KIT	1



ROOF FRAME - BASIC ASSEMBLY

W02-00203

W03-00068

INTEGRAL MIDI 9.5M MODULAR FRONT FRAME

Stock Number	Description	Quantity
PSV/65/910	IMIDI FRONT FRAME STRINGER ASSEMBLY	1.00
PSV/65/711	M10x20 CAD ENG.BOLT	2.00
PSV/65/041	M10 CAD.PLATED FLAT WASHER	2.00
PSV/65/980	IMIDI FRONT FRAME HORIZONTAL STRINGER	1.00
PSV/66/102	IMIDI FRONT FRAME ATTACHMENT BRACKET	1.00
PSV/66/108	IMIDI FRONT FRAME STRINGER GUSSET	1.00
PSV/66/113	IMIDI FRONT FRAME OFFSET ATTACH BRACKET	1.00
PSV/49/954	PILLAR PACKER TOGGLE - M10	2.00
PSV/65/911	IMIDI FRONT FRAME STRINGER ASSEMBLY	1.00
PSV/65/711	M10x20 CAD ENG.BOLT	2.00
PSV/65/041	M10 CAD.PLATED FLAT WASHER	2.00
PSV/65/981	IMIDI FRONT FRAME HORIZONTAL STRINGER	1.00
PSV/66/102	IMIDI FRONT FRAME ATTACHMENT BRACKET	1.00
PSV/66/108	IMIDI FRONT FRAME STRINGER GUSSET	1.00
PSV/66/114	IMIDI FRONT FRAME OFFSET ATTACH BRACKET	1.00
PSV/49/954	PILLAR PACKER TOGGLE - M10	2.00
PSV/65/912	IMIDI FRONT FRAME STRINGER ASSEMBLY	1.00
PSV/65/711	M10x20 CAD ENG.BOLT	2.00
PSV/65/041	M10 CAD.PLATED FLAT WASHER	2.00
PSV/65/982	IMIDI FRONT FRAME STRINGER	1.00
PSV/65/983	IMIDI FRONT FRAME STRINGER	1.00
PSV/66/102	IMIDI FRONT FRAME ATTACHMENT BRACKET	1.00
PSV/66/108	IMIDI FRONT FRAME STRINGER GUSSET	1.00
PSV/49/954	PILLAR PACKER TOGGLE - M10	2.00
PSV/65/913	IMIDI FRONT FRAME WIPER SUPPORT ASSEMBLY	1.00
PSV/43/349	M10x30 HT SET 12.9	15.00
PSV/65/041	M10 CAD.PLATED FLAT WASHER	15.00
PSV/65/914	IMIDI FRONT FRAME WIPER SUPPORT ASSEMBLY	1.00
PSV/66/115	IMIDI FRONT FRAME WIPER SUPPORT	1.00
PSV/66/116	IMIDI FRONT FRAME WIPER SUPPORT GUSSET	1.00
PSV/66/237	MIDIBUS WIPER SPINDLE SUPPORT	1.00
PSV/65/915	IMIDI FRONT FRAME WIPER SUPPORT ASSEMBLY	1.00
PSV/66/116	IMIDI FRONT FRAME WIPER SUPPORT GUSSET	1.00
PSV/66/117	IMIDI FRONT FRAME WIPER SUPPORT	1.00
PSV/66/235	IMIDI FRONT FRAME WIPER SUPPORT GUSSET	1.00
PSV/66/238	MIDIBUS WIPER SPINDLE SUPPORT	1.00
PSV/66/109	IMIDI FRONT FRAME SUPPORT RAIL SECTION	1.00
PSV/66/111	IMIDI FRONT DOME SUPPORT ANGLE	1.00
PSV/66/112	IMIDI FRONT DOME SUPPORT ANGLE	1.00
PSV/66/234	INTEGRAL BODY PART - FABRICATED PARTS	1.00
PSV/66/268	WIPER RAIL STIFFENER CHANNEL	1.00
PSV/66/271	WIPER RAIL STIFFENER CHANNEL GUSSET	1.00
PSV/65/771	M10 STD. COLLAR HEX. WELDNUT (DIN 929)	12.00
PSV/65/918	STEERING COLUMN SUPPORT ASSEMBLY	1.00
PSV/65/993	FRONT FRAME STEERING AREA HORIZONTAL SUP	1.00
PSV/65/994	FRONT FRAME STEERING AREA SIDE SUPPORT S	2.00
PSV/65/995	FRONT FRAME STEERING AREA HORIZONTAL SUP	1.00

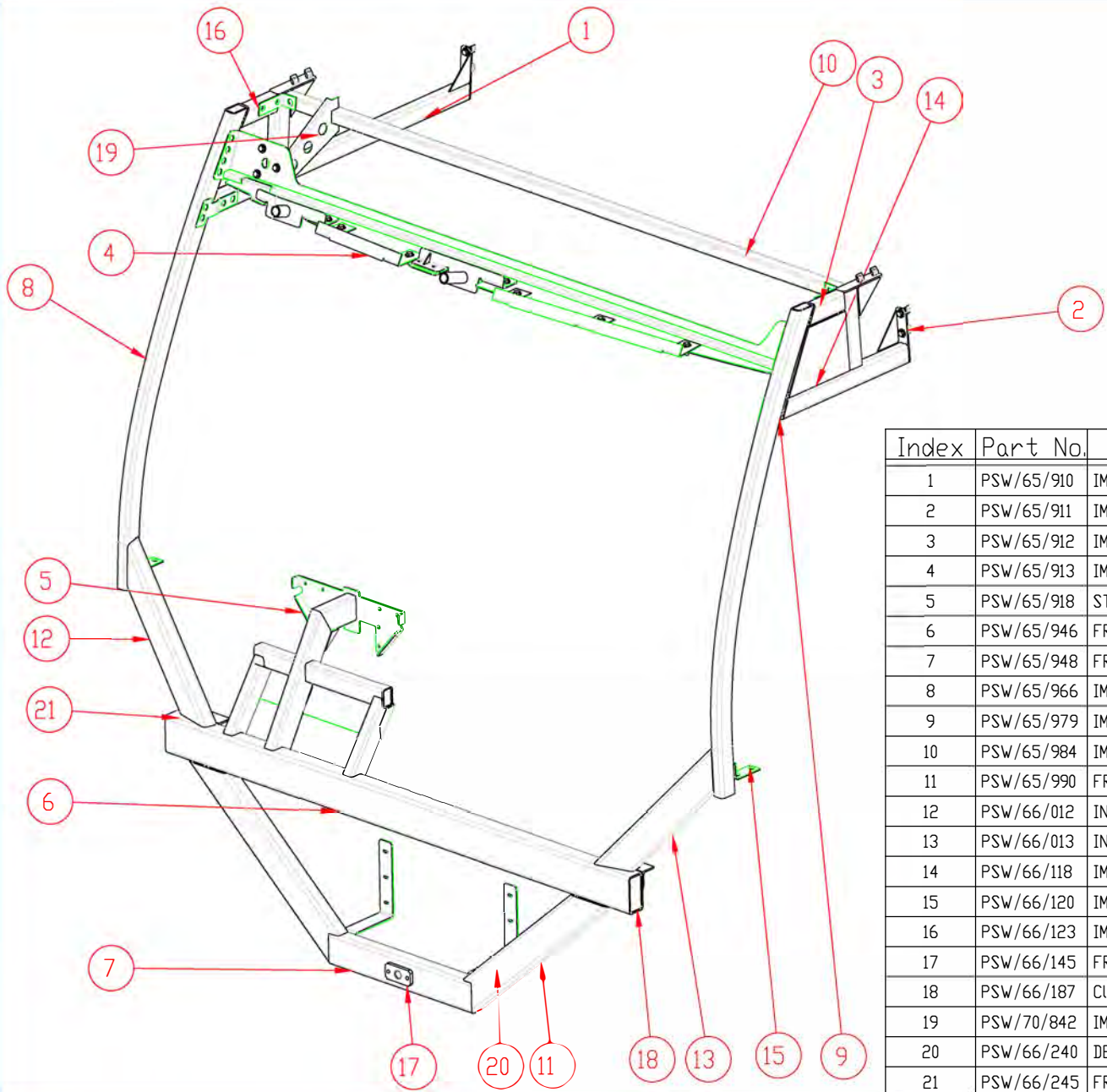
W03-00068

INTEGRAL MIDI 9.5M MODULAR FRONT FRAME

Stock Number	Description	Quantity
PSV/66/014	INTEGRAL BODY MEMBER - FRAME COMPONENTS	1.00
PSV/66/015	INTEGRAL BODY MEMBER - FRAME COMPONENTS	1.00
PSV/66/024	FRONT STEERING SUPPORT BRACKET	1.00
PSV/66/026	INTEGRAL BODY MEMBER - FRAME COMPONENTS	1.00
PSV/66/027	INTEGRAL BODY MEMBER - FRAME COMPONENTS	1.00
PSV/66/028	INTEGRAL BODY MEMBER - FRAME COMPONENTS	1.00
PSV/66/034	FRONT FRAME STEERING COLUMN MAIN SUPPORT	1.00
PSV/66/099	FRONT FRAME STEERING COLUMN SUPPORT BKT	1.00
PSV/66/144	FRONT FRAME STEERIN COLUMN AREA COVER PL	1.00
PSV/66/191	FRONT FRAME CLOSE OUT PLATE	2.00
PSV/66/278	STEERING COLUMN SUPPORT GUSSET	2.00
PSV/66/285	CAB FLOOR SUPPORT BRACKET	1.00
PSV/66/318	INTEGRAL BODY PART - FABRICATED PARTS	3.00
PSV/65/920	IMIDI FRONT FRAME STRINGER ASSEMBLY	1.00
PSV/65/711	M10x20 CAD ENG.BOLT	2.00
PSV/65/041	M10 CAD.PLATED FLAT WASHER	2.00
PSV/65/982	IMIDI FRONT FRAME STRINGER	1.00
PSV/65/983	IMIDI FRONT FRAME STRINGER	1.00
PSV/66/102	IMIDI FRONT FRAME ATTACHMENT BRACKET	1.00
PSV/66/108	IMIDI FRONT FRAME STRINGER GUSSET	1.00
PSV/49/954	PILLAR PACKER TOGGLE - M10	2.00
PSV/65/946	FRONT FRAME A CROSSMEMBER UPPER	1.00
PSV/65/948	FRONT FRAME A CROSSMEMBER LOWER	1.00
PSV/65/966	IMIDI OS FRONT FRAME A PILLAR	1.00
PSV/65/979	IMIDI NS FRONT FRAME A PILLAR	1.00
PSV/65/984	IMIDI FRONT FRAME STRAIGHT STRINGER	1.00
PSV/65/990	FRONT FRAME A CROSSMEMBER VERTICAL ATT S	2.00
PSV/66/012	INTEGRAL BODY MEMBER - FRAME COMPONENTS	1.00
PSV/66/013	INTEGRAL BODY MEMBER - FRAME COMPONENTS	1.00
PSV/66/118	IMIDI FRONT FRAME MIRROR GROUND PLATE	2.00
PSV/66/120	IMIDI FRONT FRAME SUPPORT CLEAT	2.00
PSV/66/123	IMIDI FRONT FRAME SUPPORT CLEAT	2.00
PSV/66/145	FRONT FRAME TOWING EYE	1.00
PSV/66/216	WASHER BOTTLE MOUNTING BRACKET	1.00
PSV/66/240	DEMISTER SUPPORT BRACKET	2.00
PSV/66/245	FRONT FRAME ATTACHMENT ANGLE	2.00
PSV/66/277	C-COUPLING ATTACHMENT BRACKET	1.00
PSV/66/299	FABRICATED PARTS - DOME ATTACHMENT	2.00
PSV/66/301	MINI BUS DOME SUPPORT	2.00
PSV/66/302	IMIDI DOME SUPPORT	2.00
PSV/66/304	CAB FLOOR PLATE FILLER AROUND STEERING	1.00
PSV/66/321	MINI BUS DOME SUPPORT	1.00
PSV/66/322	MINI BUS DOME SUPPORT	1.00
PSV/66/325	INTEGRAL BODY PART - FABRICATED PARTS	1.00
PSV/66/326	INTEGRAL BODY PART - FABRICATED PARTS	1.00
PSV/66/330	CLOSE OUT PLATE	2.00
PSV/66/337	LIFTING EYE FOR MIDIBUS MODULAR FRONT	2.00

FRONT FRAME - BASIC ASSEMBLY

W03-00068



Index	Part No.	Description	Qty
1	PSW/65/910	IMIDI FRONT FRAME STRINGER ASSY	1
2	PSW/65/911	IMIDI FRONT FRAME STRINGER ASSY	1
3	PSW/65/912	IMIDI FRONT FRAME STRINGER ASSY	2
4	PSW/65/913	IMIDI FRONT FRAME WIPER SUPPORT ASSY	1
5	PSW/65/918	STEERING COLUMN SUPPORT ASSEMBLY	1
6	PSW/65/946	FRONT FRAME A CROSSMEMBER UPPER	1
7	PSW/65/948	FRONT FRAME A CROSSMEMBER LOWER	1
8	PSW/65/966	IMIDI CURVED A PILLAR	1
9	PSW/65/979	IMIDI CURVED A PILLAR	1
10	PSW/65/984	IMIDI FRONT FRAME STRAIGHT STRINGER	1
11	PSW/65/990	FRONT FRAME A CROSSMEMBER VERTICAL ATT S	2
12	PSW/66/012	INTEGRAL BODY MEMBER	1
13	PSW/66/013	INTEGRAL BODY MEMBER	1
14	PSW/66/118	IMIDI FRONT FRAME MIRROR GROUND PLATE	2
15	PSW/66/120	IMIDI FRONT FRAME SUPPORT CLEAT	2
16	PSW/66/123	IMIDI FRONT FRAME SUPPORT CLEAT	2
17	PSW/66/145	FRONT FRAME TOWING EYE	1
18	PSW/66/187	Close out plate	2
19	PSW/70/842	IMIDI FRONT FRAME MOTOR SUPPORT BRACKET	1
20	PSW/66/240	DEMISTER SUPPORT BRACKET	2
21	PSW/66/245	FRONT FRAME ATTACHMENT ANGLE	2

WO4-00052

REAR FRAME - BASIC ASSEMBLY INT. MIDI

Stock Number	Description	Quantity
PSV/65/072	179MM 40X40 BUMPER STUB	2.00
PSV/11/148	ALUM ECON.BOX 40x40 6.0M	0.03
PSV/65/129	REAR FRAME VERTICAL PILLAR	2.00
PSV/38/244	ALUM BOX 60x40 (6.2M)	0.23
PSV/65/130	REAR FRAME VERTICAL PILLAR	2.00
PSV/38/244	ALUM BOX 60x40 (6.2M)	0.11
PSV/65/131	REAR FRAME HORIZONTAL RAIL	3.00
PSV/11/148	ALUM ECON.BOX 40x40 6.0M	0.33
PSV/65/132	REAR FRAME HORIZONTAL RAIL	1.00
PSV/11/148	ALUM ECON.BOX 40x40 6.0M	0.37
PSV/60/599	REAR BUMPER ATTACHMENT BRACKET	2.00
PSV/65/284	ALUM ANGLE 51x38x3mm (5M)	0.02
PSV/11/908	B9TL EURO4 MID BUMPER BRACKET	2.00
PSV/54/063	ALUM ACCESSORY TOGGLE M8	50.00
PSV/12/979	4 BOLT CORNER ASSEMBLY (STANDARD)	8.00
PSV/54/064	M8X15 TORX BUTTON SCREW PATCHED	4.00
PSV/54/063	ALUM ACCESSORY TOGGLE M8	4.00
PSV/38/238	4 BOLT CORNER	1.00
PSV/65/576	REAR FRAME SUPPORT BRACKET	1.00
PSV/65/577	REAR FRAME SUPPORT BRACKET	1.00
PSV/65/598	SERVICE DOOR HINGE R/S	1.00
PSV/65/725	HINGE BAR 1	2.00
PSV/65/726	HINGE BAR 2	2.00
PSV/65/727	HINGE BAR 3	1.00
PSV/65/728	HINGE BAR 4	1.00
PSV/65/729	HINGE PLATE 1	1.00
PSV/65/730	HINGE PLATE 2	1.00
PSV/65/755	STAINLESS STEEL PRESSED RIVET	5.00
PSV/65/756	STAINLESS STEEL PRESSED RIVET	2.00
PSV/65/760	STAINLESS STEEL M8 WASHER	26.00
PSV/65/599	SERVICE DOOR HINGE K/S	1.00
PSV/65/725	HINGE BAR 1	2.00
PSV/65/726	HINGE BAR 2	2.00
PSV/65/727	HINGE BAR 3	1.00
PSV/65/728	HINGE BAR 4	1.00
PSV/65/729	HINGE PLATE 1	1.00
PSV/65/731	HINGE PLATE 3	1.00
PSV/65/755	STAINLESS STEEL PRESSED RIVET	5.00
PSV/65/756	STAINLESS STEEL PRESSED RIVET	2.00
PSV/65/760	STAINLESS STEEL M8 WASHER	26.00
PSV/42/059	MIDI REAR END BRACKET	1.00
PSV/40/695	MIDI REAR END BRACKET	1.00
PSV/11/197	M10x20 VERBUS RIBBED BOLT - PRECOTE 80	4.00
PSV/49/954	PILLAR PACKER TOGGLE - M10	4.00
PSV/42/060	MIDI REAR END BRACKET	1.00
PSV/40/696	MIDI REAR END BRACKET	1.00
PSV/11/197	M10x20 VERBUS RIBBED BOLT - PRECOTE 80	4.00

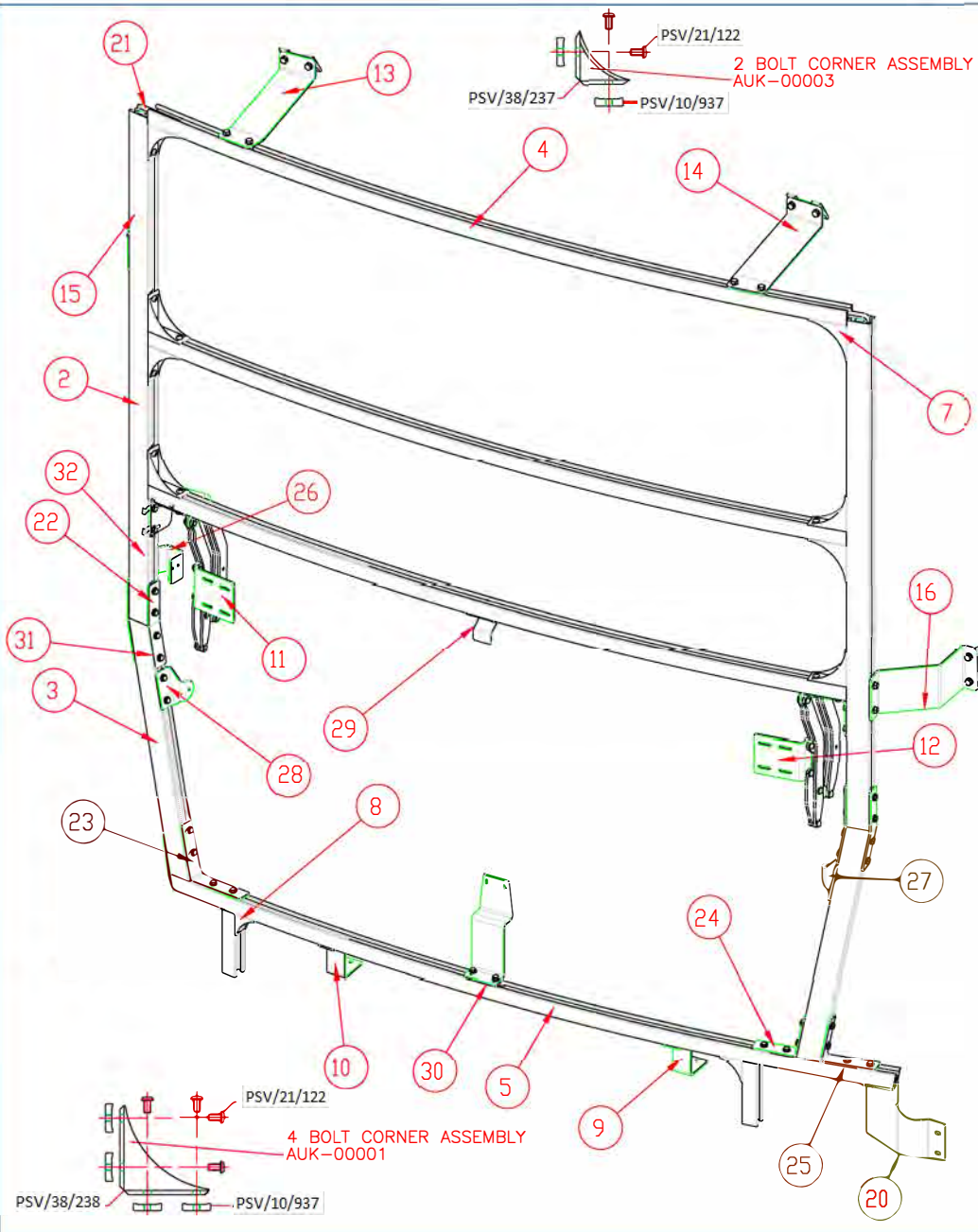
W04-00052

REAR FRAME - BASIC ASSEMBLY INT. MIDI

Stock Number	Description	Quantity
PSV/49/954	PILLAR PACKER TOGGLE - M10	4.00
PSV/42/061	MIDI REAR END BRACKET	1.00
PSV/40/697	MIDI REAR END BRACKET	1.00
PSV/11/197	M10x20 VERBUS RIBBED BOLT - PRECOTE 80	4.00
PSV/49/954	PILLAR PACKER TOGGLE - M10	4.00
PSV/65/649	MIDI REAR END BRACKET	1.00
PSV/64/987	M6x25 HT SET SCREW	2.00
PSV/56/167	M8x20 DURLOCK BOLT PATCHED	40.00
PSV/43/676	M6 OPEN END NUTSERT	4.00
PSV/49/983	OS REAR CORNER SUPPORT BRACKET	1.00
PSV/11/365	REARFRAME SUPPORT BRACKET	2.00
PSV/50/197	REARFRAME SUPPORT BRACKET	4.00
PSV/66/501	REARFRAME SUPPORT BRACKET	2.00
PSV/66/502	REARFRAME SUPPORT BRACKET	1.00
PSV/66/503	REARFRAME SUPPORT BRACKET	1.00
PSV/50/198	BUMPER SUPPORT ATTACHMENT BRACKET	1.00
PSV/50/199	BUMPER SUPPORT ATTACHMENT BRACKET	1.00
PSV/50/963	STREETCAR ENGINE DOOR KEEPER PLATE	1.00
PSV/50/964	SERVICE DOOR GAS STRUT BRACKET	1.00
PSV/50/965	SERVICE DOOR GAS STRUT BRACKET	1.00
PSV/50/966	REAR DOOR STOPPER	1.00
PSV/66/560	MIDIBUS DOOR KEEPER PLATE	2.00
PSV/66/472	60X30X3MM STEEL GUSSET	1.00
PSV/66/559	ENGINE DOOR KEEPER PLATE	1.00
PSV/45/481	REAR MODULAR SUPPORT ASSEMBLY	1.00
PSV/66/323	REAR MODULAR SUPPORT	1.00
PSV/66/324	REAR MODULAR SUPPORT	1.00

REAR FRAME - BASIC ASSEMBLY

W04-00052



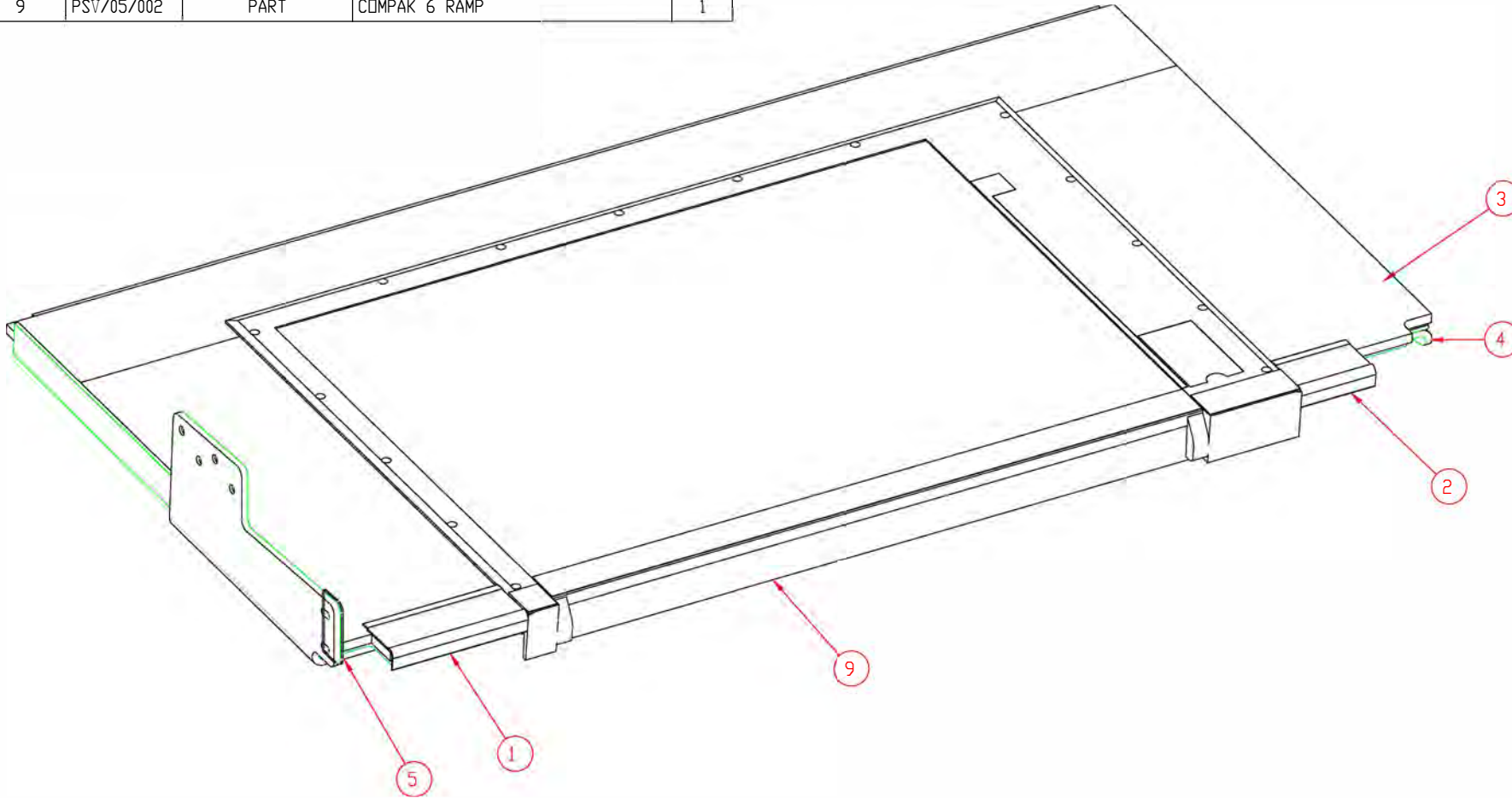
Index	Part No.	Description	Qty
1	PSV/65/072	40x40mm SECTION	2
2	PSV/65/129	REAR FRAME VERTICAL PILLAR	2
3	PSV/65/130	REAR FRAME VERTICAL PILLAR	2
4	PSV/65/131	ROOFSTICK	3
5	PSV/65/132	Rear frame horizontal	1
6	PSV/10/937	M8 TOGGLE	50
7	PSV/12/979	4 BOLT CORNER ASSY	8
8	PSV/13/360	2 BOLT CORNER ASSY	2
9	PSV/65/576	Rear Frame Support Bracket	1
10	PSV/65/577	Rear frame support bracket	1
11	PSV/65/598	Streetcar service door hinge L/H	1
12	PSV/65/599	Streetcar service door hinge R/H	1
13	PSV/42/059	Rear fame erection bracket	1
14	PSV/42/060	Rear frame erection bracket	1
15	PSV/42/061	Rear frame erection bracket	1
16	PSV/65/649	REAR FRAME ERECTION BRACKET	1
17	PSV/64/987	M6x25 HEX. BOLT ZINC NICKEL PLATED	2
18	PSV/56/167	M8x20 VERBUS RIBBED BOLT	40
19	PSV/43/704	1/4" BRIGHT STEEL WASHER	2
20	PSV/49/983	DS REAR CORNER SUPPORT BRACKET	1
21	PSV/11/365	SUPPORT BRACKET	2
22	PSV/50/197	Rear frame joining bracket	4
23	PSV/66/501	Rear frame joining bracket	2
24	PSV/66/502	Rear frame joining bracket	1
25	PSV/66/503	Rear frame joining bracket	1
26	PSV/50/963	ENGINE COMPARTMENT SWITCH MTG BRKT	1
27	PSV/50/964	Gas Strut Mounting Bracket	1
28	PSV/50/965	Gas Strut Mounting Bracket	1
29	PSV/50/966	Boot Door Stopper	1
30	PSV/66/560	MIDIBUS DOOR LOCK KEEPER ASSY	1
31	M8X20	M8x20 VERBUS RIBBED	12
32	NUTSERT_M6	TBD	2

W05-00506

UNDERFRAME - MANUAL RAMP FRAME

Stock Number	Description	Quantity
PSV/55/269	COMPACT 6 MANUAL RAMP	1.00
PSV/65/709	MIDIBUS RAMP FRAME	1.00
PSV/66/504	MANUAL RAMP FRAME SUPPORT	1.00
PSV/66/505	400MM 25 X 25 X 1.5MM STEEL BOX SECTION	1.00
PSV/66/506	1350MM 25 X 25 X 1.5 STEEL BOX SECTION	1.00
PSV/66/507	MANUAL RAMP FRAME PLATE	1.00
PSV/66/530	MIDIBUS RAMP SUPPORT BRACKET	1.00
PSV/66/682	ENTRANCE FLOOR PART	1.00
PSV/66/683	ENTRANCE FLOOR PART	1.00
PSV/66/684	ENTRANCE FLOOR PART	1.00
PSV/65/164	ENTRANCE DOOR EDGE ALLOY	1.00
PSV/66/372	ALLOY STEP EDGING 3M LENGTHS	0.06
PSV/65/165	ENTRANCE DOOR EDGE ALLOY	1.00
PSV/66/372	ALLOY STEP EDGING 3M LENGTHS	0.03
PSV/66/529	MIDIBUS RAMP SUPPORT BRACKET	1.00
PSV/66/547	MIDI RAMP FINISHER	1.00
PSV/66/548	MIDI RAMP FINISHER	1.00

Index	Part No.	Compnt Type	Description	Qty
1	PSV/65/164	PART	REAR K/S W/S STEP EDGING	1
2	PSV/65/165	PART	REAR K/S W/S STEP EDGING	1
3	PSV/65/709	ASSEMBLY	Midi bus compaq ramp frame	1
4	PSV/66/530	PART	MIDIBUS RAMP SUPPORT BRKT	1
5	PSV/84/298	ASSEMBLY	midibus ramp support bracket assy	1
6	PSV/66/682	PART	PLYWOOD FLOOR PART	1
7	PSV/66/683	PART	PLYWOOD FLOOR PART	1
8	PSV/66/684	PART	PLYWOOD FLOOR PART	1
9	PSV/05/002	PART	COMPAK 6 RAMP	1



UNDERFRAME - MANUAL RAMP FRAME

W05-00506

W05-00557

UNDERFRAME - INTEGRAL BUS FRAME 9.5

Stock Number	Description	Quantity
PSV/65/133	CABLE TRAY	1.00
PSV/62/865	TAMLEX 150mm x 25mm MED CABLE TRAY 3M	0.21
PSV/65/134	CABLE TRAY	2.00
PSV/62/865	TAMLEX 150mm x 25mm MED CABLE TRAY 3M	0.43
PSV/65/135	MIDIBUS FRONT CABLE TRAY	1.00
PSV/62/865	TAMLEX 150mm x 25mm MED CABLE TRAY 3M	0.37
PSV/65/136	9.5 MIDIBUS MIDSECTION FUEL LINE TRAY	2.00
PSV/65/690	75x25 RETURN FLANGE CABLE TRAY (GALV)	0.50
PSV/65/137	9.5 MIDIBUS MIDSECTION CABLE TRAY ASM	1.00
PSV/65/690	75x25 RETURN FLANGE CABLE TRAY (GALV)	0.30
PSV/62/276	ADH SIKA 205 CLEAN 1 LITRE	0.13
PSV/62/283	ADH SIKA 555 600ML SAUSAGE	1.25
PSV/39/515	15L BITE FITTING ASSEMBLY	8.00
PSV/65/026	15MM O/D TWIN PIPE CLAMP	13.00
PSV/43/766	CONDUIT ATTACHMENT BRACKET	5.00
PSV/65/924	INTEGRAL MID MODULE 9.5	1.00
PSV/65/923	INTEGRAL FRONT MODULE - FRONT AXLE	1.00
PSV/61/257	M10x40mm H.T. BOLT 12.9 GRADE ZINC & CLR	5.00
PSV/11/197	M10x20 DURLOCK BOLT PATCHED	4.00
PSV/65/039	M10 STOVER NUT, GRADE 10, METRIC COARSE T	5.00
PSV/65/759	3/8^ FLAT STEEL WASHER	10.00
PSV/65/916	MIDI STEERING BOX SUPPORT BRACKET	1.00
PSV/66/160	MIDI STEERING BOX SUPPORT BRACKET	1.00
PSV/66/162	IMIDI STEERING BOX BRACKET GUSSET	1.00
PSV/66/305	STEERING BRACKET ATTACHMENT PLATE	2.00
PSV/65/917	FRONT FRAME N/S B OUTRIGGER	1.00
PSV/65/991	FRONT FRAME N/S B OUTRIGGER	1.00
PSV/66/135	B-PILLAR END PLATE N/S	1.00
PSV/66/139	FRONT FRAME OUTRIGGER END CLOSURE PLATE	1.00
PSV/66/164	B-PILLAR END PLATE N/S	1.00
PSV/65/919	INTEGRAL BUS ASSEMBLY	1.00
PSV/66/168	FRONT CROSS MEMBER BUSH	3.00
PSV/66/263	BUSH MOUNTING PLATE	1.00
PSV/65/921	FRONT FRAME N/S B OUTRIGGER	1.00
PSV/66/019	FRONT FRAME N/S B OUTRIGGER	1.00
PSV/66/275	B-PILLAR END PLATE N/S	1.00
PSV/65/933	FRONT FRAME LONGITUDINAL -SUSPENSION ATT	1.00
PSV/65/937	INTEGRAL BODY MEMBER - FRAME COMPONENTS	2.00
PSV/65/939	FRONT FRAME DIAGONAL SECTION	1.00
PSV/65/941	FRONT FRAME LONGITUDINAL	1.00
PSV/65/942	FRONT FRAME LONGITUDINAL SECTION	2.00
PSV/65/943	FRONT FRAME LOWER TO UPPER ATT. SECTION	1.00
PSV/65/944	FRONT FRAME O/S CROSSMEMBER SECTION	1.00
PSV/65/945	FRNT FRAME SUSPENSION ATT. CROSSMEMBER	1.00
PSV/65/947	FRONT FRAME O/S VERTICAL SECTION	1.00
PSV/65/949	FRONT FRAME UPPER CROSSRUN	2.00
PSV/65/960	FRONT FRAME LOWER TO UPPER ATT. SECTION	1.00
PSV/65/961	FRONT FRAME O/S CROSSMEMBER	1.00

W05-00557

UNDERFRAME - INTEGRAL BUS FRAME 9.5

Stock Number	Description	Quantity
PSV/65/962	INTEGRAL BODY MEMBER - FRAME COMPONENTS	1.00
PSV/65/975	FRONT FRAME DIAGONAL SECTION	1.00
PSV/65/976	FRONT FRAME LOWER TO UPPER ATT. SECTION	1.00
PSV/65/985	FRONT FRAME LONGITUDINAL	1.00
PSV/65/992	INTEGRAL BODY MEMBER - FRAME COMPONENTS	1.00
PSV/65/998	FRONT FRAME FUEL TANK SUPPORT OUTRIGGER	2.00
PSV/66/003	FRONT FRAME LONGITUDINAL OS -SUSPENS ATT	1.00
PSV/66/017	FRONT FRAME SUPPORT GUSSET	4.00
PSV/66/018	INTEGRAL BODY MEMBER - FRAME COMPONENTS	1.00
PSV/66/021	INTEGRAL BODY MEMBER - FRAME COMPONENTS	1.00
PSV/66/023	INTEGRAL BODY MEMBER - FRAME COMPONENTS	1.00
PSV/66/035	FRONT FRAME CAB FLOOR BASE PLATE	1.00
PSV/66/054	INTEGRAL BODY PART - FABRICATED PARTS	2.00
PSV/66/055	INTEGRAL BODY PART - FABRICATED PARTS	2.00
PSV/66/056	INTEGRAL BODY PART - FABRICATED PARTS	4.00
PSV/66/067	CHASSIS SERVICE CHANNEL, TOP	2.00
PSV/66/068	CHASSIS SERVICE CHANNEL, BOTTOM	2.00
PSV/66/092	CROSSMEMBER ENDPLATE	3.00
PSV/66/093	CROSSMEMBER ENDPLATE	1.00
PSV/66/096	CROSSMEMBER ENDPLATE	1.00
PSV/66/104	INTEGRAL BODY PART - FABRICATED PARTS	5.00
PSV/66/105	FRONT FRAME ENDPLATE GUSSET	5.00
PSV/66/128	FRONT FRAME LOWER LONG TO VERT ATT BKT	1.00
PSV/66/133	B-PILLAR END PLATE O/S	1.00
PSV/66/134	O/S B PILLAR ENDPLATE LOWER	1.00
PSV/66/140	FRONT FRAME ENTRANCE STEP SUPPORT ANGLE	1.00
PSV/66/141	FRONT FRAME GUSSET O/S B ENDPLATE	1.00
PSV/66/142	FRONT FRAME O/S ENDPLATE	1.00
PSV/66/143	INTEGRAL BODY PART - FABRICATED PARTS	1.00
PSV/66/146	CHASSIS SERVICE CHANNEL, TOP	2.00
PSV/66/147	CHASSIS SERVICE CHANNEL, BOTTOM	2.00
PSV/66/165	SUSPENSION FRAME ATTACHMENT ANGLES	4.00
PSV/66/172	FRONT FRAME SUPPORT GUSSET	1.00
PSV/66/180	FRONT FRAME CLOSE OUT PLATE	1.00
PSV/66/181	FRONT FRAME CLOSE OUT PLATE	1.00
PSV/66/182	FRONT FRAME CLOSE OUT PLATE	1.00
PSV/66/183	FRONT FRAME OS LONGITUDINL CLOSING PLATE	1.00
PSV/66/187	FRONT FRAME CLOSE OUT PLATE	1.00
PSV/66/188	FRONT FRAME CLOSE OUT PLATE	1.00
PSV/66/189	FRONT FRAME CLOSE OUT PLATE	3.00
PSV/66/190	FRONT FRAME CLOSE OUT PLATE	1.00
PSV/66/193	CAB FLOOR SUPPORT	1.00
PSV/66/204	FRONT FRAME OS LONGITUDINL CLOSING PLATE	1.00
PSV/66/209	CAB FLOOR SEAT GROUND	2.00
PSV/66/218	CAB FLOOR SUPPORT GROUND	1.00
PSV/66/219	MIDIBUS FRONT ELECT TRAY SUPPORT BRACKET	1.00
PSV/66/222	MIDIBUS FRONT FRAME BOSS M8	2.00

W05-00557

UNDERFRAME - INTEGRAL BUS FRAME 9.5

Stock Number	Description	Quantity
PSV/66/239	FRONT FRAME ATTACHMENT PLATE	2.00
PSV/66/265	POWER STEERING PIPE SUPPORT BRACKET	2.00
PSV/66/272	WHEELCHAIR ARM SUPPORT BRACKET	1.00
PSV/66/273	WHEELCHAIR ARM SUPPORT BRACKET GUSSET	4.00
PSV/66/274	MIDIBUS CAB FLOOR GROUND	1.00
PSV/66/276	ELECTRICAL TRAY BRACKET	1.00
PSV/63/355	INTEGRAL BODY PART - FABRICATED PARTS	1.00
PSV/66/310	STEERING BOX SUPPORT BRACKET	1.00
PSV/66/311	STEERING BOX SUPPORT BRACKET GUSSET	1.00
PSV/66/313	STIFFENING BEAM END PLATE	1.00
PSV/66/315	OFFSIDE WHEELARCH ATTACHMENT BRACKET	1.00
PSV/66/742	STEEL SHEET 2438x1219x5mm TEN FORM	0.01
PSV/66/329	SUPPORT GUSSET	2.00
PSV/66/331	CLOSE OUT GUSSET	1.00
PSV/66/354	INTEGRAL BODY PART - TICKET PED ANGLE	1.00
PSV/65/938	INTEGRAL BODY MEMBER - FRAME COMPONENTS	2.00
PSV/65/939	INTEGRAL BODY MEMBER - FRAME COMPONENTS	1.00
PSV/65/942	INTEGRAL BODY MEMBER - FRAME COMPONENTS	2.00
PSV/65/977	INTEGRAL BODY MEMBER - FRAME COMPONENTS	1.00
PSV/65/978	INTEGRAL BODY MEMBER - FRAME COMPONENTS	1.00
PSV/66/030	INTEGRAL BODY MEMBER - SUPPORT BRACKET	4.00
PSV/66/031	MID SECTION DIAGONAL BRACE	1.00
PSV/66/067	CHASSIS SERVICE CHANNEL, TOP	1.00
PSV/66/068	CHASSIS SERVICE CHANNEL, BOTTOM	1.00
PSV/66/093	CROSSMEMBER ENDPLATE	1.00
PSV/66/095	CROSSMEMBER ENDPLATE	1.00
PSV/66/104	INTEGRAL BODY PART - FABRICATED PARTS	2.00
PSV/66/105	FRONT FRAME ENDPLATE GUSSET	2.00
PSV/66/161	120 X 60 BOX SEALING PLATE	1.00
PSV/66/210	EMERGENCY DOOR SEAT GROUND	1.00
PSV/66/211	SEAT TAPPING PLATE	10.00
PSV/66/265	POWER STEERING PIPE SUPPORT BRACKET	1.00
PSV/65/928	INTEGRAL REAR MODULE	1.00
PSV/65/399	PURGE TANK BRACKET	1.00
PSV/61/257	M10x40mm H.T. BOLT 12.9 GRADE ZINC & CLR	10.00
PSV/43/349	M10x30 HT SET 12.9	12.00
PSV/65/719	M10x80 10.9 ENG BOLT, HEX HEAD	4.00
PSV/65/720	M10 COUNTERSUNK BOLT 30mm LONG 12.9	4.00
PSV/60/826	M10 H/TENS. 10.9T NYLOCK	30.00
PSV/65/040	M8 OPEN NUTSERT-A9408-28	4.00
PSV/62/048	10x24x3 FLAT WASHER	56.00
PSV/65/930	INTEGRAL BODY MEMBER - FRAME COMPONENTS	2.00
PSV/65/931	INTEGRAL BODY MEMBER - FRAME COMPONENTS	2.00
PSV/65/932	INTEGRAL BODY MEMBER - FRAME COMPONENTS	2.00
PSV/65/940	INTEGRAL BODY MEMBER - FRAME COMPONENTS	1.00
PSV/65/950	INTEGRAL BODY MEMBER - FRAME COMPONENTS	3.00
PSV/65/951	INTEGRAL BODY MEMBER - FRAME COMPONENTS	1.00
PSV/65/952	INTEGRAL BODY MEMBER - FRAME COMPONENTS	1.00

W05-00557

UNDERFRAME - INTEGRAL BUS FRAME 9.5

Stock Number	Description	Quantity
PSV/65/953	INTEGRAL BODY MEMBER - FRAME COMPONENTS	2.00
PSV/65/954	INTEGRAL BODY MEMBER - FRAME COMPONENTS	1.00
PSV/65/955	INTEGRAL BODY MEMBER - FRAME COMPONENTS	1.00
PSV/65/956	INTEGRAL BODY MEMBER - FRAME COMPONENTS	2.00
PSV/65/957	INTEGRAL BODY MEMBER - FRAME COMPONENTS	4.00
PSV/65/958	INTEGRAL BODY MEMBER - FRAME COMPONENTS	1.00
PSV/65/959	INTEGRAL BODY MEMBER - FRAME COMPONENTS	1.00
PSV/65/963	INTEGRAL BODY MEMBER - FRAME COMPONENTS	1.00
PSV/65/964	INTEGRAL BODY MEMBER - FRAME COMPONENTS	2.00
PSV/65/965	INTEGRAL BODY MEMBER - FRAME COMPONENTS	1.00
PSV/65/969	INTEGRAL BODY MEMBER - ENG CRADLE PT.	1.00
PSV/65/972	INTEGRAL BODY MEMBER - FRAME COMPONENTS	1.00
PSV/65/973	INTEGRAL BODY MEMBER - FRAME COMPONENTS	4.00
PSV/65/974	INTEGRAL BODY MEMBER - FRAME COMPONENTS	2.00
PSV/65/996	INTEGRAL BODY MEMBER - FRAME COMPONENTS	1.00
PSV/65/997	INTEGRAL BODY MEMBER - SUPPORT BRACKET	2.00
PSV/66/005	THREADED BOSS	6.00
PSV/66/020	REAR SEATBOX BULKHEAD	1.00
PSV/66/029	REAR FRAME CROSSMEMBER	1.00
PSV/66/030	INTEGRAL BODY MEMBER - SUPPORT BRACKET	2.00
PSV/66/036	INTEGRAL BODY PART - FABRICATED PARTS	1.00
PSV/66/037	INTEGRAL BODY PART - FABRICATED PARTS	1.00
PSV/66/038	INTEGRAL BODY PART - FABRICATED PARTS	2.00
PSV/66/049	INTEGRAL BODY PART - FABRICATED PARTS	1.00
PSV/66/053	INTEGRAL BODY PART - FABRICATED PARTS	1.00
PSV/66/057	INTEGRAL BODY PART - FABRICATED PARTS	1.00
PSV/66/067	CHASSIS SERVICE CHANNEL, TOP	1.00
PSV/66/068	CHASSIS SERVICE CHANNEL, BOTTOM	1.00
PSV/66/074	INTEG. BODY PT - FAB - ENG. CRADLE MOUNT	1.00
PSV/66/076	INTEG. BODY PT - FAB - ENG. CRADLE MOUNT	2.00
PSV/66/077	INTEG. BODY PT - FAB - ENG. CRADLE MOUNT	1.00
PSV/66/084	INTEGRAL BODY PART - FABRICATED PARTS	1.00
PSV/66/075	INTEG. BODY PT - FAB - ENG. CRADLE MOUNT	1.00
PSV/66/077	INTEG. BODY PT - FAB - ENG. CRADLE MOUNT	1.00
PSV/66/078	INTEG. BODY PT - FAB - ENG. CRADLE MOUNT	2.00
PSV/66/094	INTEG. BODY PT - FAB - ENG. CRADLE MOUNT	2.00
PSV/66/085	INTEGRAL BODY PART - FABRICATED PARTS	1.00
PSV/66/004	LATERAL BRACE BOSS	2.00
PSV/66/039	INTEGRAL BODY PART - FABRICATED PARTS	1.00
PSV/66/041	INTEGRAL BODY PART - FABRICATED PARTS	1.00
PSV/66/042	INTEGRAL BODY PART - FABRICATED PARTS	1.00
PSV/66/043	INTEGRAL BODY PART - FABRICATED PARTS	1.00
PSV/66/212	DAMPER ATTACHMENT BRACKET GUSSET	1.00
PSV/66/046	INTEGRAL BODY PART - FABRICATED PARTS	1.00
PSV/66/088	INTEGRAL BODY PART - FABRICATED PARTS	1.00
PSV/66/090	INTEGRAL BODY PART - FABRICATED PARTS	1.00
PSV/66/208	SEAT BOLT TAPPING PLATE	1.00

W05-00557

UNDERFRAME - INTEGRAL BUS FRAME 9.5

Stock Number	Description	Quantity
PSV/66/086	INTEGRAL BODY PART - FABRICATED PARTS	1.00
PSV/66/004	LATERAL BRACE BOSS	2.00
PSV/66/040	INTEGRAL BODY PART - FABRICATED PARTS	1.00
PSV/66/041	INTEGRAL BODY PART - FABRICATED PARTS	1.00
PSV/66/043	INTEGRAL BODY PART - FABRICATED PARTS	1.00
PSV/66/044	INTEGRAL BODY PART - FABRICATED PARTS	1.00
PSV/66/352	DAMPER ATTACHMENT BRACKET GUSSET	1.00
PSV/66/045	INTEGRAL BODY PART - FABRICATED PARTS	1.00
PSV/66/087	INTEGRAL BODY PART - FABRICATED PARTS	1.00
PSV/66/089	INTEGRAL BODY PART - FABRICATED PARTS	1.00
PSV/66/091	INTEGRAL BODY PART - FABRICATED PARTS	1.00
PSV/66/208	SEAT BOLT TAPPING PLATE	1.00
PSV/66/097	CROSSMEMBER ENDPLATE	1.00
PSV/66/098	AIR TANK MOUNTING BRACKET	2.00
PSV/66/100	AIR COOLING COIL ATTACHMENT BRACKET	4.00
PSV/66/101	AIR COOLING COIL ATTACHMENT BRACKET	1.00
PSV/66/103	INTEGRAL BODY PART - FABRICATED PARTS	1.00
PSV/66/106	INTEGRAL BODY PART - FABRICATED PARTS	1.00
PSV/66/107	INTEGRAL BODY PART - FABRICATED PARTS	1.00
PSV/66/122	AIR COOLING COIL ATTACHMENT BRACKET	1.00
PSV/66/126	INTEGRAL BODY PART - FABRICATED PARTS	4.00
PSV/66/148	INTEGRAL BODY PART - FABRICATED PARTS	2.00
PSV/66/151	INTEGRAL BODY PART - SEALING PLATE	4.00
PSV/66/152	INTEGRAL BODY PART - SEALING PALTE	2.00
PSV/66/153	INTEGRAL BODY PART - SEALING PALTE	2.00
PSV/66/154	INTEGRAL BODY PART - SEALING PLATE	2.00
PSV/66/155	INTEGRAL BODY PART - SEALING PLATE	2.00
PSV/66/156	INTEGRAL BODY PART - SEALING PLATE	1.00
PSV/66/157	INTEGRAL BODY PART - SEALING PLATE	1.00
PSV/66/158	ECAS HEIGHT SENSOR BRACKET	2.00
PSV/66/159	VALVE BLOCK BRACKET	1.00
PSV/66/163	RELAY VALVE BRACKET	1.00
PSV/66/179	INTEGRAL BODY ENGINE CRADLE BRACKET ASM	3.00
PSV/66/177	INTEGRAL BODY ENGINE CRADLE BRACKET	1.00
PSV/66/178	INTEGRAL BODY ENGINE CRADLE BRACKET	1.00
PSV/66/184	LATERAL BRACE FOOT	1.00
PSV/66/185	LATERAL BRACE FOOT	1.00
PSV/66/192	LATERAL BRACE FOOT	2.00
PSV/66/194	LATERAL BRACE FOOT	2.00
PSV/66/195	CROSS MEMBER ATTACHMENT BRACKET	1.00
PSV/66/196	CROSS MEMBER ATTACHMENT BRACKET	1.00
PSV/66/197	CROSS MEMBER ATTACHMENT BRACKET	1.00
PSV/66/198	CROSS MEMBER ATTACHMENT BRACKET	1.00
PSV/66/201	SEAT BOLT TAPPING PLATE	3.00
PSV/66/205	V STAY MOUNT GUSSET	1.00
PSV/66/215	AIR TANK MOUNTING BRACKET	2.00
PSV/66/217	REAR FRAME TRUSS PANEL SUPPORT ANGLE	2.00

W05-00557

UNDERFRAME - INTEGRAL BUS FRAME 9.5

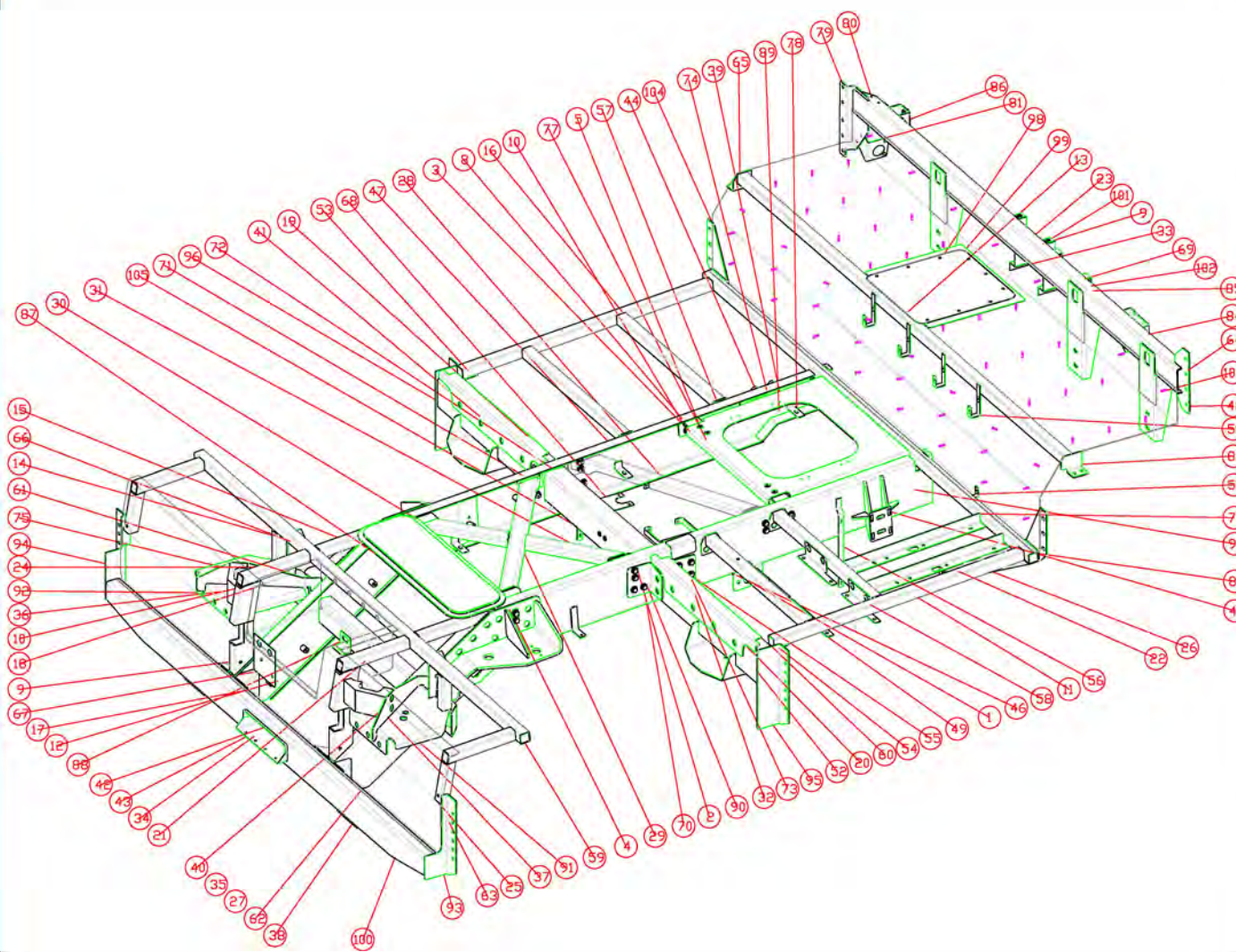
Stock Number	Description	Quantity
PSV/66/220	POWER STEERING PIPE SUPPORT BRACKET	4.00
PSV/66/221	OFFSIDE REAR PILLAR ENDPLATE	1.00
PSV/66/223	CROSSMEMBER ENDPLATE	1.00
PSV/66/224	ENGINE OIL FILL BRACKET	1.00
PSV/66/225	INTEGRAL BODY PART - SEALING PLATE	1.00
PSV/66/248	REAR SEATBOX BRKT SPACER	2.00
PSV/66/252	ECU MOUNTING BRACKET	1.00
PSV/66/253	ECU MOUNTING BRACKET	1.00
PSV/66/258	ENGINE CRADLE BRACKET ASSEMBLY	1.00
PSV/66/256	ENGINE CRADLE BRACKET	1.00
PSV/66/257	ENGINE CRADLE MOUNTING BLOCK	1.00
PSV/66/262	FLOOR INSERT ASSEMBLY	1.00
PSV/66/259	FLOOR INSERT	1.00
PSV/66/260	FLOOR INSERT FRAME	1.00
PSV/66/261	FLOOR INSERT PACKER	1.00
PSV/66/265	POWER STEERING PIPE SUPPORT BRACKET	1.00
PSV/66/266	FUEL PIPE SUPPORT BRACKET	4.00
PSV/66/267	M8 CLOSED THREADED BOSS	3.00
PSV/66/269	FRONT AIR SPRING MOUNTING PLATE	1.00
PSV/66/270	FRONT AIR SPRING MOUNTING PLATE	1.00
PSV/66/279	CROSSMEMBER ENDPLATE	1.00
PSV/66/280	CROSSMEMBER ENDPLATE	1.00
PSV/66/281	CROSSMEMBER ENDPLATE	1.00
PSV/66/282	CROSSMEMBER ENDPLATE	1.00
PSV/63/355	INTEGRAL BODY PART - FABRICATED PARTS	2.00
PSV/66/306	ENGINE ACCESS DOOR	1.00
PSV/66/307	TRAP DOOR SUPPORT FRAME	1.00
PSV/43/675	M8 X 20 CLOSED END NUTSERT	9.00
PSV/66/308	TRAP DOOR SUPPORT BASE PLATE	1.00
PSV/66/332	CROSSMEMBER CLOSURE PLATE	2.00
PSV/66/334	CHASSIS EXPANSION TANK SUPPORT BRACKET	2.00
PSV/66/335	CHASSIS EXPANSION TANK SUPPORT BRACKET	2.00
PSV/66/345	DOSING UNIT ATT BRKT ASM	1.00
PSV/66/110	DOSING UNIT ATTACHMENT BRACKET	1.00
PSV/65/721	M8 x 55mm WELD BOLT	4.00
PSV/66/346	LOOM/PIPE BRACKET	1.00
PSV/66/347	LOOM/PIPE BRACKET	3.00
PSV/66/356	RISER STIFFENING PANEL	2.00
PSV/66/466	MIDIBUS REAR SEATBOX SUPPORT O/S	2.00
PSV/50/542	HEATER PIPE BRACKET	12.00
PSV/65/929	9.5 CHASSIS FABRICATION - LABOUR ONLY	1.00
PSV/66/342	SPRING PROTECTOR PLATE	2.00
PSV/66/343	O/S SEALING PLATE @ R/FRAME AXLE LINK	1.00
PSV/66/344	N/S SEALING PLATE @ R/FRAME AXLE LINK	1.00
PSV/66/405	20mm STUDS 5mm DIA.PLAIN	53.00
PSV/66/686	TAPERED PLUG DIA 10M	85.00
PSV/66/695	31.2MM CLEAR PLASTIC COVER CAP	2.00
PSV/66/705	POWER STEERING PIPE KIT - FA MIDI	1.00

W05-00557

UNDERFRAME - INTEGRAL BUS FRAME 9.5

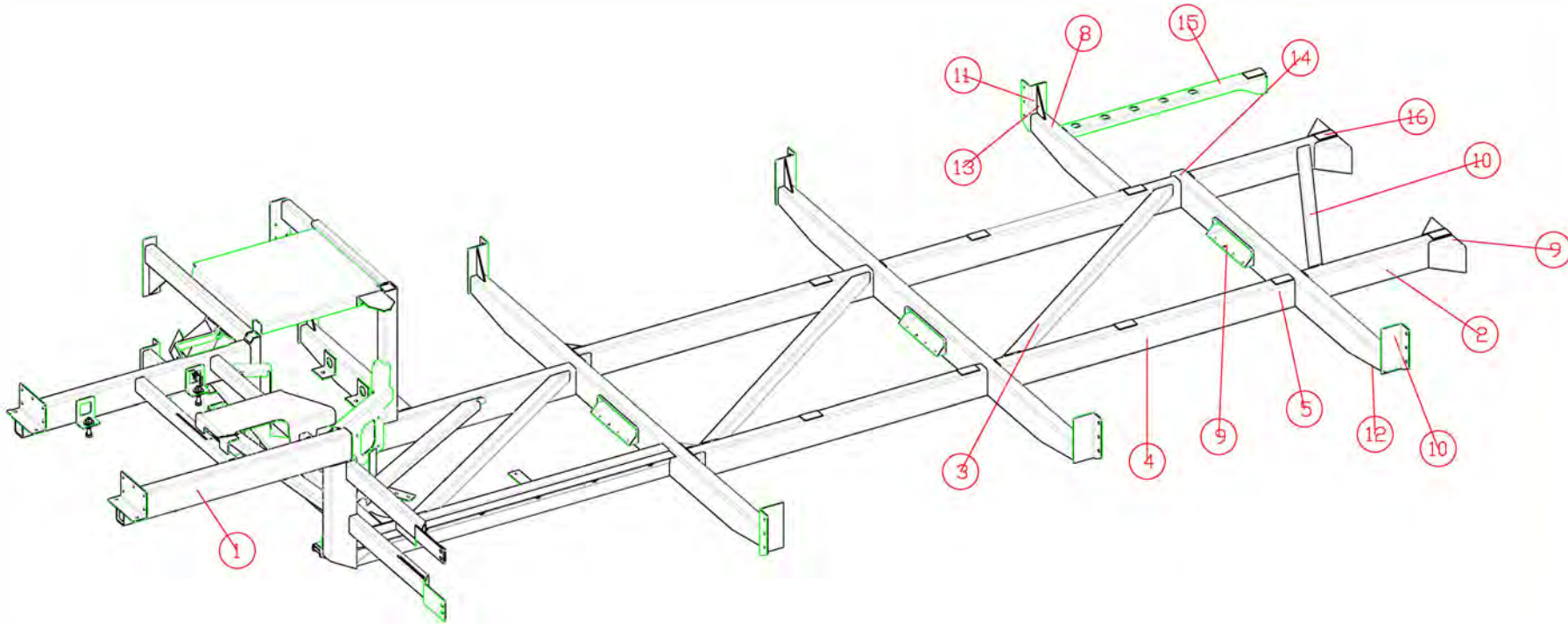
Stock Number	Description	Quantity
PSV/66/706	POWER STEERING PIPE	1.00
PSV/66/707	POWER STEERING PIPE	1.00
PSV/66/708	POWER STEERING PIPE	1.00
PSV/66/709	POWER STEERING PIPE	1.00
PSV/66/710	POWER STEERING PIPE	1.00
PSV/66/711	POWER STEERING PIPE	1.00
PSV/66/712	POWER STEERING PIPE	1.00
PSV/66/713	POWER STEERING PIPE	1.00
PSV/64/711	DINOL 3642W FOR TUBES	10.00
PSV/64/712	DINOL 3642W WAX - BULK	10.00
PSV/54/963	BPC CHASSIS COAT BRONZE BC80	47.00
PSV/64/713	BPC CORROMET BLACK MIO CHASSIS PAINT	25.00

W05-00557 - IBF-00024
UNDERFRAME - INTEGRAL BUS FRAME - INTEGRAL REAR MODULE



Index	Part No	Description	Qty
1	PSV/65/399	Purge tank mounting bracket	1
2	PSV/61/257	M10 x 40 CAD ENG BOLT (12.9)	6
3	PSV/43/349	M10 x 30 CAD ENG BOLT (12.9)	16
4	PSV/65/719	M10x60 10.9 ENG BOLT	4
5	PSV/65/720	M10 COUNTERSUNK BOLT 30mm LONG (12.9)	4
6	PSV/60/826	M10 H/TENS. 10.9T NYLOCK	30
7	PSV/65/040	M8 OPEN END NUTSERT	4
8	PSV/65/048	M10 x 24 x 3 ZINC & CLEAR WASHER	56
9	PSV/65/930	LONGITUDINAL MEMBER	2
10	PSV/65/931	LONGITUDINAL MEMBER	2
11	PSV/65/932	BODY WAIST RAIL	2
12	PSV/65/940	FRONT FRAME FUEL TANK SUPP OUTRIGGE	1
13	PSV/65/950	FRONT FRAME FUEL TANK SUPP OUTRIGGE	3
14	PSV/65/953	LONGITUDINAL MEMBER	2
15	PSV/65/956	INTEGRAL BODY MEMBER	2
16	PSV/65/957	BODY WAIST RAIL	4
17	PSV/65/958	INTEGRAL BODY TRUSS PANEL	1
18	PSV/65/959	INTEGRAL BODY TRUSS PANEL	1
19	PSV/65/963	FRONT FRAME FUEL TANK SUPP OUTRIGGE	1
20	PSV/65/964	INTEGRAL BODY TRUSS PANEL	2
21	PSV/65/965	BODY WAIST RAIL	1
22	PSV/65/969	Engine cradle mounting Bush	1
23	PSV/65/972	BODY WAIST RAIL	1
24	PSV/65/973	INTEGRAL BODY MEMBER	4
25	PSV/65/974	INTEGRAL BODY MEMBER	2
26	PSV/65/996	INTEGRAL BODY MEMBER	1
27	PSV/65/997	INTEGRAL BODY MEMBER BRACKET	2
28	PSV/70/929	LATERAL BRACE ASSEMBLY	1
29	PSV/70/931	LATERAL BRACE ASSEMBLY	1
30	PSV/70/931	LATERAL BRACE ASSEMBLY	1
31	PSV/70/932	LATERAL BRACE ASSEMBLY	1
32	PSV/66/005	THREADED BOSS	6
33	PSV/66/020	REAR MODULE SEATBOX	1
34	PSV/66/029	FRONT FRAME CROSS MEMBER	1
35	PSV/66/030	INTEGRAL BODY MEMBER BRACKET	2
36	PSV/66/036	V STAY O/S MOUNTING BLOCK	1
37	PSV/66/037	V STAY O/S MOUNTING BLOCK	1
38	PSV/66/038	INTEGRAL BODY PART	2
39	PSV/66/049	REAR FRAME TRUSS PANEL	1
40	PSV/66/053	SUSPENSION MOUNT SUPPORT GUSSET	1
41	PSV/66/057	INTEGRAL BODY PART	1
42	PSV/66/067	CHASSIS SERVICE CHANNEL TOP	1
43	PSV/66/068	CHASSIS SERVICE CHANNEL BOTTOM	1
44	PSV/66/074	Engine cradle mount	1
45	PSV/66/075	Engine cradle mount	1
46	PSV/66/085	NEARSIDE LONGITUDINAL ASSEMBLY	1
47	PSV/66/086	OFFSIDE LONGITUDINAL ASSEMBLY	1
48	PSV/66/097	ENDPLATE	1
49	PSV/66/098	Air tank attachment bracket	2
50	PSV/66/100	AIR COOLING COIL ATTACHMENT BRACKET	4
51	PSV/66/101	AIR COOLING COIL ATTACHMENT BRACKET	1
52	PSV/66/103	INTEGRAL BODY PART	1
53	PSV/66/106	CROSSMEMBER SUPPORT BRKT	1
54	PSV/66/107	CROSSMEMBER SUPPORT BRKT	1
55	PSV/66/110	DOSING UNIT ATTACHMENT BRACKET	1
56	PSV/66/122	Air cooling coil support bracket	1
57	PSV/66/126	CROSS MEMBER SUPPORT BRACKET	4
58	PSV/66/148	Air tank bracket	2
59	PSV/66/151	INTEGRAL BODY SEALING PLATE	4
60	PSV/66/152	TRUSS	2
61	PSV/66/153	INTEGRAL BODY MEMBER SEALING PLATE	2
62	PSV/66/154	LONGITUDINAL SEALING PLATE	2
63	PSV/66/155	SEALING PLATE FOR MIDIBUS	2
64	PSV/66/156	MIDIBUS INTERNAL BODY SEALING PLATE	1
65	PSV/66/157	OFFSIDE REAR SEATBOX SUPPORT BKT	1
66	PSV/66/158	HEIGHT SENSOR BRACKET	2
67	PSV/66/159	VALVE BLOCK BRACKET	1
68	PSV/66/163	Relay valve mounting bracket	1
69	PSV/66/179	ENGINE CRADLE RACKET	3
70	PSV/66/195	CROSSMEMBER ATTACHMENT BRACKET	1
71	PSV/66/196	CROSSMEMBER ATTACHMENT BRACKET	1
72	PSV/66/197	CROSSMEMBER ATTACHMENT BRACKET	1
73	PSV/66/198	CROSSMEMBER ATTACHMENT BRACKET	1
74	PSV/66/201	SEAT BOLT TAPPING PLATE	3
75	PSV/66/205	SUSPENSION MOUNT SUPPORT GUSSET	1
76	PSV/66/215	AIR TANK MOUNTING BRACKET	2
77	PSV/66/217	REAR FRAME TRUSS PANEL SUPP ANGLE	2
78	PSV/66/220	POWER STEERING PIPE SUPPORT BRACKET	4
79	PSV/66/221	OFFSIDE REAR ENDPLATE	1
80	PSV/66/223	MIDIBUS INTERNAL BODY SEALING PLATE	1
81	PSV/70/933	Oil tank support bracket	1
82	PSV/66/225	OFFSIDE REAR SEATBOX SUPPORT BKT	1
83	PSV/66/248	MIDIBUS SEAT BOX BRACKET SPACER	2
84	PSV/66/252	ECU MOUNTING BRACKET	1
85	PSV/66/253	ECU MOUNTING BRACKET	1
86	PSV/66/258	ENGINE CRADLE BRACKET ASSEMBLY	1
87	PSV/66/262	FLOOR INSERT ASSEMBLY	1
88	PSV/66/265	POWER STEERING PIPE SUPPORT BRACKET	1
89	PSV/66/266	HEATER PIPE BRACKET	4
90	PSV/66/267	MIDIBUS FRONT FRAME BOSS M8	15
91	PSV/66/269	FRONT AIR SPRING MOUNTING	1
92	PSV/66/270	PLATE FRONT AIR SPRING MOUNTING PLATE	1
93	PSV/66/279	CROSSMEMBER ENDPLATE	1
94	PSV/66/280	CROSSMEMBER ENDPLATE	1
95	PSV/66/281	CROSSMEMBER ENDPLATE	1
96	PSV/66/282	CROSSMEMBER ENDPLATE	1
97	PSV/65/355	M10 Wash Stud	2
98	PSV/66/296	REAR SEAT BOX TRAP DOOR	1
99	PSV/66/307	REAR SEAT BOX SUPPORT BRACKET	1
100	PSV/66/332	FRONT FRAME CROSSMEMBER CLOSURE PLT	2
101	PSV/66/334	CHASSIS EXPANSION TANK SUPPORT BKT	2
102	PSV/66/335	CHASSIS EXPANSION TANK SUPPORT BKT	2
103	PSV/66/405	20mm ARC FIXING STUD	37
104	PSV/66/466	MIDIBUS REAR SEATBOX SUPPORT	2
105	PSV/50/542	HEATER PIPE BRACKET	1

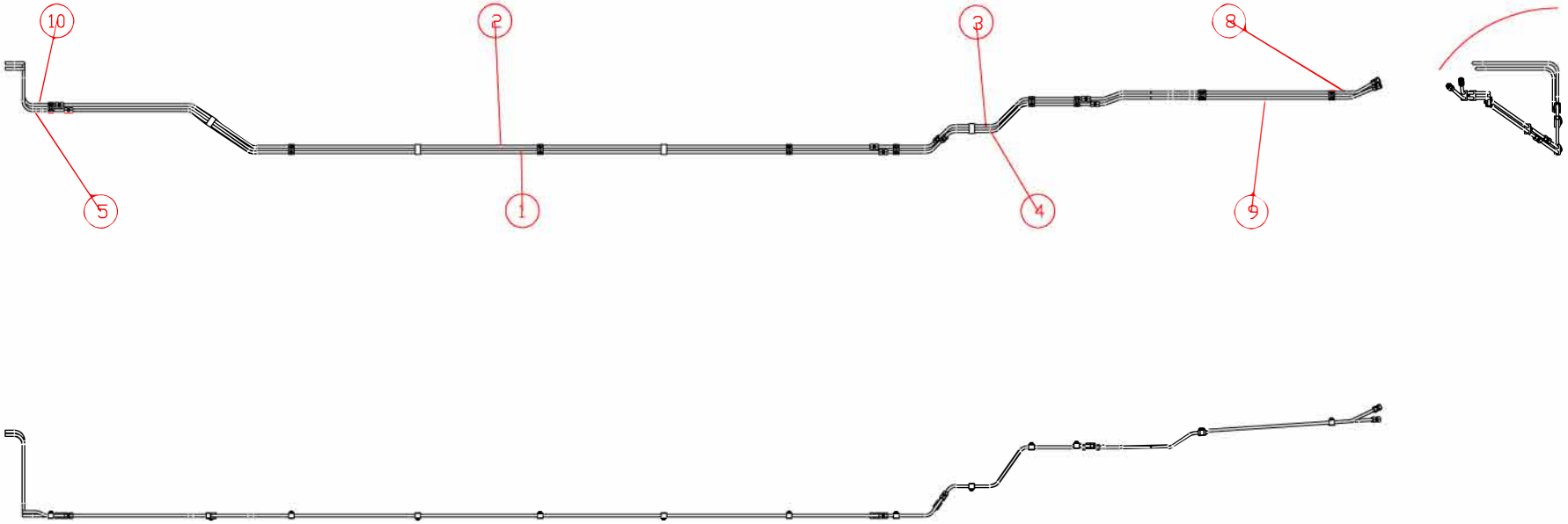
Index	Part No.	Compnt Type	Description	Qty
1	PSV/65/923	ASSEMBLY	INTEGRAL FRONT MODULE - FRONT AXLE	1
2	PSV/65/938	PART	FRONT FRAME FUEL TANK SUPPORT OUTRIGGER	2
3	PSV/65/939	PART	FRONT FRAME DIAGONAL SECTION	1
4	PSV/65/942	PART	FRONT FRAME LONGITUDINAL SECTION	2
5	PSV/65/977	PART	FRONT FRAME FUEL TANK SUPPORT OUTRIGGER	1
6	PSV/65/978	PART	FRONT FRAME FUEL TANK SUPPORT OUTRIGGER	1
7	PSV/66/030	PART	INTEGRAL BODY MEMBER BRACKET	4
8	PSV/66/031	PART	FRONT FRAME DIAGONAL SECTION	1
9	PSV/84/299	ASSEMBLY	CHASSIS SERVICE CHANNEL	1
10	PSV/66/093	PART	Crossmember endplate	1
11	PSV/66/095	PART	Crossmember endplate	1
12	PSV/66/104	PART	FRONT FRAME CROSSMEMBER CLOSURE PLATE	2
13	PSV/66/105	PART	FRONT FRAME ENDPLATE GUSSET	2
14	PSV/66/161	PART	SEALING PLATE	1
15	PSV/66/210	PART	Emergency door seat ground	1
16	PSV/66/211	PART	Seat leg tapping plate	10



UNDERFRAME - INTEGRAL BUS FRAME - FRONT AXLE FRAME

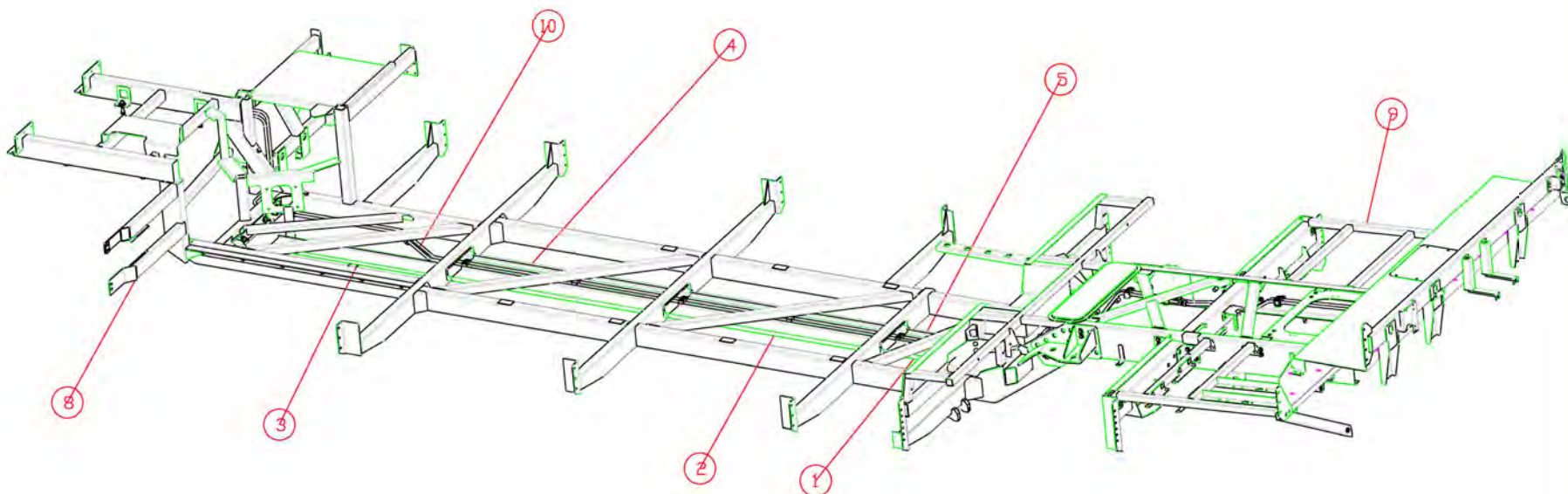
W05-00557 - IBF-00004

Index	Part Number	Description	Qty
1	PSV/66/706	POWER STEERING PIPE	1
2	PSV/66/707	POWER STEERING PIPE	1
3	PSV/66/708	POWER STEERING PIPE	1
4	PSV/66/709	POWER STEERING PIPE	1
5	PSV/66/710	POWER STEERING PIPE	1
6	PSV/66/711	POWER STEERING PIPE	1
7	PSV/66/712	POWER STEERING PIPE	1
8	PSV/66/713	POWER STEERING PIPE	1



W05-00557 - PSK-00018
 UNDERFRAME - INTEGRAL BUS FRAME - POWER STEERING PIPE KIT

Index	Part Number	Component Type	Description	Qty
1	PSV/65/133	PART	150x25mm CABLE TRAY	1
2	PSV/65/134	PART	150x25mm CABLE TRAY	2
3	PSV/65/135	PART	MIDIBUS FRONT CABLE TRAY	1
4	PSV/65/136	PART	RETURN FLANGE SLOTTED CABLE TRAY	2
5	PSV/65/137	PART	RETURN FLANGE SLOTTED CABLE TRAY	1
6	PSV/39/515	PART	15L COMPRESSION UNION	10
7	PSV/65/026	PART	15MM TWIN PIPE CLAMP	14
8	PSV/65/924	ASSEMBLY	INTEGRAL FRONT AXLE FRAME	1
9	PSV/65/928	ASSEMBLY	INTEGRAL REAR MODULE	1
10	PSV/66/705	ASSEMBLY	POWER STEERING PIPE KIT - 9.5m VERSION	1



UNDERFRAME - INTEGRAL BUS FRAME

W05-00557

W06-00156

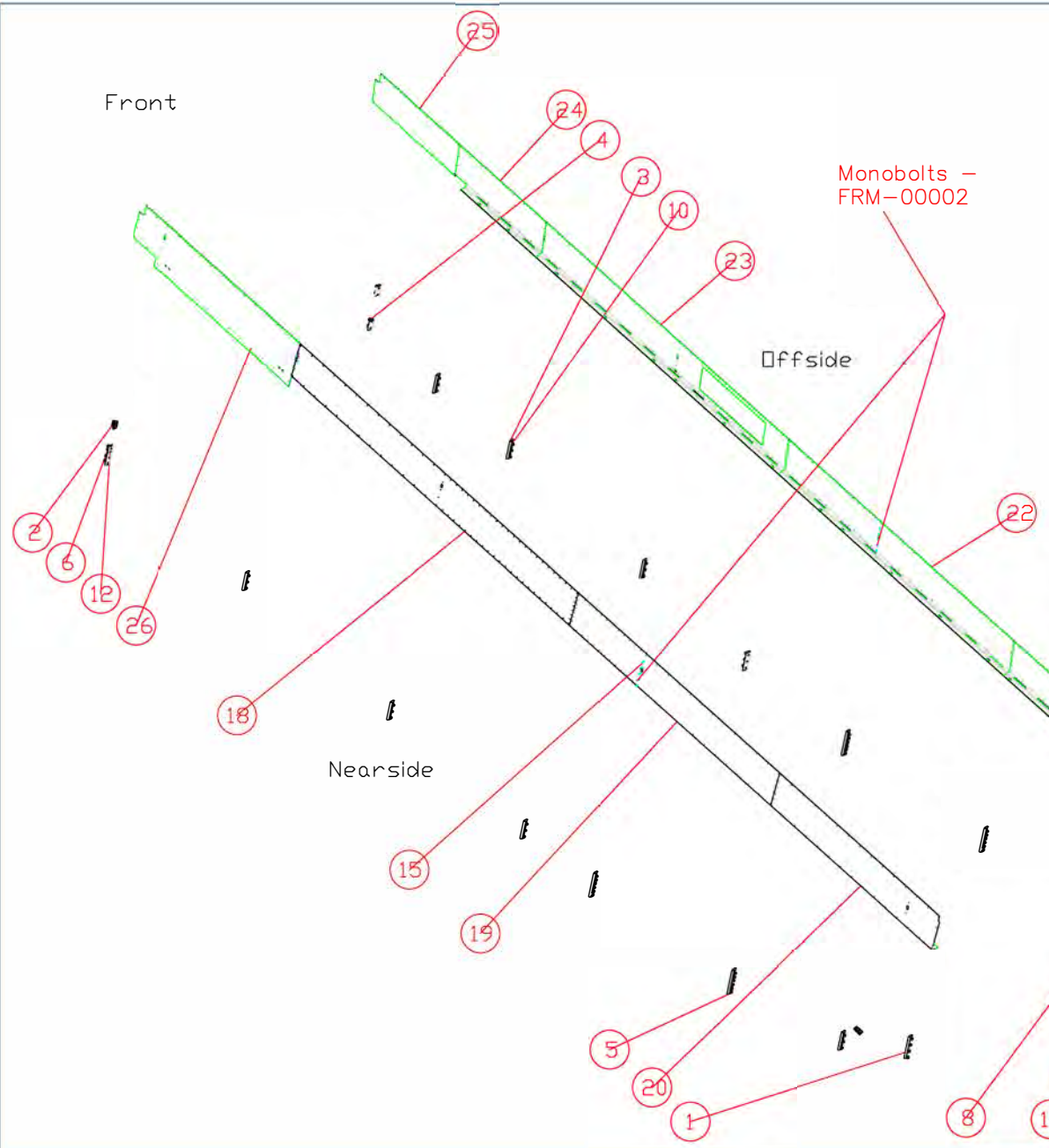
ERECTION - BASIC ASSEMBLY MIDIBUS 9.5M

Stock Number	Description	Quantity
PSV/65/192	212mm PILLAR PACKER 4 HOLE	1.00
PSV/36/113	EMERGENCY DOOR HINGE PILLAR PACKER	3.00
PSV/36/114	PILLAR ATTACHMENT BAR - 164mm @ 62mm SP	9.00
PSV/36/115	2 HOLE PILLAR PACKER	2.00
PSV/65/193	PILLAR BAR	4.00
PSV/65/194	PILLAR ATTACHMENT BAR - 2 HOLE	1.00
PSV/65/195	280MM LONG 62MM PITCH 5 HOLES SLOTTED	1.00
PSV/62/283	ADH SIKA 555 600ML SAUSAGE	0.50
PSV/65/268	ADH FIRESEAL	0.50
PSV/54/063	ALUM ACCESSORY TOGGLE M8	2.00
PSV/43/342	M8x25 CAD ENG.BOLT	2.00
PSV/11/197	M10x20 VERBUS RIBBED BOLT - PRECOTE 80	68.00
PSV/56/167	M8x20 DURLOCK BOLT PATCHED	2.00
PSV/11/418	M10x25 VERBUS RIBBED BOLT ZINC & NICKEL	6.00
PSV/65/743	MAGNA BULB 1/4" MBP-R8-M5 - SILVER	400.00
PSV/65/743	MAGNA BULB 1/4" MBP-R8-M5 - SILVER	65.00
PSV/43/667	M8 CAD.PLATED NYLOC NUT	2.00
PSV/63/052	5/16IN.FLAT STEEL WASHER	4.00
PSV/65/767	1/4x1 MONOBOLT 2771-081	10.00
PSV/49/984	OS REAR CORNER SUPPORT PILLAR ASSEMBLY	1.00
PSV/66/469	OS REAR CORNER SUPPORT PILLAR	1.00
PSV/66/471	30X30X3MM STEEL GUSSET	1.00
PSV/49/985	MIDIBUS REAR PILLAR SUPPORT BRACKET	1.00
PSV/66/470	OS REAR CORNER SUPPORT BRACKET	1.00
PSV/66/473	OS REAR CORNER SUPPORT BRKT STRENGTHNER	1.00
PSV/66/511	CANTRAIL STRESS PANEL KIT - MIDI 9.5M	1.00
PSV/66/509	CANTRAIL STRESS PANEL - MIDI 9.5M	1.00
PSV/66/510	CANTRAIL STRESS PANEL - MIDI 9.5M	1.00
PSV/66/512	CANTRAIL STRESS PANEL - MIDI 9.5M	1.00
PSV/66/513	CANTRAIL STRESS PANEL - MIDI 9.5M	1.00
PSV/66/514	CANTRAIL STRESS PANEL - MIDI 9.5M	1.00
PSV/66/515	CANTRAIL STRESS PANEL - MIDI 9.5M	1.00
PSV/66/516	CANTRAIL STRESS PANEL - MIDI 9.5M	1.00
PSV/66/517	CANTRAIL STRESS PANEL - 9.5M	1.00
PSV/66/518	FWD CANTRAIL STRESS PANEL ASSY - MINI	1.00

ERECTION - BASIC ASSEMBLY

W06-00156

Index	Part No.	Description	Qty
1	PSV/65/192	229mm PILLAR PACKER	1
2	PSV/36/113	EMERGENCY DOOR HINGE PACKER	3
3	PSV/36/114	PILLAR PACKER	9
4	PSV/36/115	2 HOLE PILLAR PACKER	2
5	PSV/65/193	PILLAR PACKER	4
6	PSV/65/194	PILLAR PACKER	1
7	PSV/65/195	5 HOLE TOGGLE BAR (62mm PITCH)	1
8	PSV/10/937	M8 TOGGLE	2
9	PSV/43/342	M8x25 CAD ENG.BOLT	2
10	PSV/11/197	M10x20mm VERBUS RIBBED	68
11	PSV/56/167	M8x20 VERBUS RIBBED BOLT	2
12	PSV/11/418	M10x25mm VERBUS RIBBED	6
13	PSV/43/667	M8 CAD.PLATED NYLOC NUT	2
14	PSV/63/052	5/16IN STEEL WASHER ZINC NICKEL	4
15	PSV/65/767	1/4x1" MONOBOLT	10
16	PSV/49/984	MISIBUS REAR DS PILLAR ASSY	1
17	PSV/49/985	MIDIBUS REAR PILLAR SUPPORT BKT	1
18	PSV/66/509	CANTRAIL STRESS PANEL	1
19	PSV/66/510	CANTRAIL STRESS PANEL	1
20	PSV/66/512	CANTRAIL STRESS PANEL	1
21	PSV/66/513	CANTRAIL STRESS PANEL	1
22	PSV/66/514	CANTRAIL STRESS PANEL	1
23	PSV/66/515	CANTRAIL STRESS PANEL	1
24	PSV/66/516	CANTRAIL STRESS PANEL	1
25	PSV/66/517	Cantrail Stress Panel	1
26	PSV/66/518	Door head stress panel assy	1



W07-00526

HEATING - BASIC ASSEMBLY - 9.5 CUMMINS

Stock Number	Description	Quantity
PSV/65/126	HEATER PIPE SUPPORT BRACKET	1.00
PSV/65/287	ALUM SHT .2500x1250x6MM	0.00
PSV/65/147	IMIDI DEMISTER PLENUM BULB RUBBER SEAL	1.00
PSV/11/383	BULBTITE RUBBER SEAL	1.00
PSV/65/148	REAR FRAME HEATER BRACKET	4.00
PSV/37/888	ALUM SHT .2500x1250x2.5MM	0.00
PSV/65/149	100 X 50 X 50 X 3 ANGLE	1.00
PSV/65/283	ALUM ANGLE 100x50x3mm (5M)	0.01
PSV/65/304	MIDI ROOF HEATER INTAKE DUCT PLENUM	1.00
PSV/65/305	MIDI FA DEMISTER PLENUM CHAMBER	1.00
PSV/43/346	M6 X 20 BIGHEAD BONDING FASTENER	2.00
PSV/65/733	LO MIDI ROOF HEATER INTAKE DUCT ASSEMBLY	1.00
PSV/65/304	MIDI ROOF HEATER INTAKE DUCT PLENUM	1.00
PSV/60/161	M6 SELF FINISH NYLOC NUT	2.00
PSV/43/346	M6 X 20 BIGHEAD BONDING FASTENER	2.00
PSV/66/520	MIDI ROOF HEATER INTAKE DUCT DRAIN ELBOW	1.00
PSV/64/753	1/2" I.D CLEAR PLASTIC TUBE	1.00
PSV/65/734	LO MIDI FA DEMISTER PLENUM CHAMBER ASSY	1.00
PSV/65/147	IMIDI DEMISTER PLENUM BULB RUBBER SEAL	1.00
PSV/11/383	BULBTITE RUBBER SEAL	1.00
PSV/65/305	MIDI FA DEMISTER PLENUM CHAMBER	1.00
PSV/63/204	TOP HAT 50mmx50mm	4.00
PSV/66/519	MIDI DEMISTER SUPPORT ANGLE	3.00
PSV/60/161	M6 SELF FINISH NYLOC NUT	2.00
PSV/43/766	CONDUIT ATTACHMENT BRACKET	2.00
PSV/39/514	^CH9207 45` REDUCER	2.00
PSV/65/853	DEMISTER VENT 86x13.5mm	3.00
PSV/56/089	3" AIR VENT - FULLY ADJUSTABLE	1.00
PSV/56/089	3" AIR VENT - FULLY ADJUSTABLE	2.00
PSV/63/204	TOP HAT 50mmx50mm	4.00
PSV/18/407	Y-PIECE CONNECTOR	2.00
PSV/15/778	INTEGRAL MIDI FRONT DEMISTER	1.00
PSV/65/855	INTEG MIDI ROOF SALOON HEATER BOX	1.00
PSV/35/134	MIDIBUS HEAVAC CONTROLLER	1.00
PSV/65/856	TOP HAT TO SUIT 100mm DIA VACUFLEX	2.00
PSV/65/857	100mm DIA VACUFLEX HOISING 2500mm LG	1.00
PSV/65/046	28-28-15 COMPRESSION BARREL TEE	1.00
PSV/65/047	Y SHAPED COMPRESSION DRAIN	1.00
PSV/65/872	MIDI DEMISTER PIPE KIT	1.00
PSV/65/333	MIDI DEMISTER VALVE PIPING	1.00
PSV/15/270	VALVE 3-WAY 3 x 22 WITH PLUG	1.00
PSV/65/858	28mm - 22mm 4PLY RED SILICONE REDUCER	1.00
PSV/45/069	90 ELB 22MM X 154MM LEGS	2.00
PSV/44/994	BREEZE CT HOSE CLAMP 25-40 MM	6.00
PSV/65/334	MIDI DEMISTER FLOW PIPING	1.00
PSV/65/630	MIDI DEMISTER FEED TO VALVE	1.00
PSV/63/225	22mm 90 DEG ELBOW PLASTIC PUSH FITTING	4.00
PSV/65/335	MIDI DEMISTER RETURN PIPING	1.00

W07-00526

HEATING - BASIC ASSEMBLY - 9.5 CUMMINS

Stock Number	Description	Quantity
PSV/45/091	28MM-22MM SILICON ELBOW	1.00
PSV/65/629	MIDI DEMISTER COPPER RETURN PIPE	1.00
PSV/65/626	MIDI DEMIST BYPASS PIPE	1.00
PSV/63/220	22mm COPPER SOLDER ELBOW	1.00
PSV/65/627	MIDI DEMIST BYPASS PIPE 90 DEG TO TEE	1.00
PSV/63/221	22mm TEE CU24	1.00
PSV/65/628	MIDI DEMIST REURN PIPE	1.00
PSV/44/994	BREEZE CT HOSE CLAMP 25-40 MM	2.00
PSV/63/226	22mm PLASTIC PIPE INSERT	8.00
PSV/63/224	22mm STRAIGHT PLASTIC PUSH FITTING	2.00
PSV/63/225	22mm 90 DEG ELBOW PLASTIC PUSH FITTING	3.00
PSV/65/631	MIDI DEMISTER FEED COPPER PIPE	1.00
PSV/65/632	MIDI DEMISTER RETURN COPPER PIPE	1.00
PSV/65/873	MIDI MAIN HEATING FLOW & RETURN	1.00
PSV/65/861	22mm BEND 135deg SINGLE SOCKET	1.00
PSV/45/091	28MM-22MM SILICON ELBOW	1.00
PSV/45/066	STRAIGHT REDUCER 28-22MM X 100MM	1.00
PSV/45/069	90 ELB 22MM X 154MM LEGS	2.00
PSV/65/336	MIDI ROOF HEATER RETURN COPPER PIPE	1.00
PSV/65/633	MIDI ROOF HEATER COPPER PIPE	1.00
PSV/65/634	MIDI ROOF HEATER COPPER BYPASS 22MM	2.00
PSV/65/635	MIDI ROOF HEATER ELBOW - TEE CONNECTION	1.00
PSV/65/636	MIDI ROOF HEATER COPPER 520 LONG 22mm OD	1.00
PSV/65/637	SOLDERED END CAP WITH 6MM HOLE FLOW REST	1.00
PSV/65/638	22mm COPPER PIPE, 60mm LONG	1.00
PSV/63/220	22mm COPPER SOLDER ELBOW	2.00
PSV/63/222	22mm OBTUSE ELBOW 45 DEG	1.00
PSV/65/862	22mm EQUAL TEE	1.00
PSV/65/645	22mm DIA COPPPER 150mm LONG 1 SWAGED END	1.00
PSV/44/994	BREEZE CT HOSE CLAMP 25-40 MM	4.00
PSV/44/993	BREEZE CT HOSE CLAMP 20-32 MM	8.00
PSV/65/646	28MM COPPER PIPE 2 SWAGED ENDS 330MM LON	1.00
PSV/65/647	22MM COPPER PIPE 2 SWAGED ENDS 330MM LON	1.00
PSV/45/063	STR 22MM X 100MM	1.00
PSV/65/894	SILICONE STR 28MM X 100MM	1.00
PSV/65/874	MIDI ENGINE BAY HEATING KIT	1.00
PSV/65/337	MIDI HEATING SYSTEM HEAD CONNECTION	1.00
PSV/65/633	MIDI ROOF HEATER COPPER PIPE	2.00
PSV/65/639	22mm PIPE 100mm LONG	1.00
PSV/65/640	28 x 150mm COPPER PIPE 1 SWAGED END	1.00
PSV/63/219	28x22x22mm COPPER TEE YP27	1.00
PSV/63/220	22mm COPPER SOLDER ELBOW	1.00
PSV/65/338	HEATING SYSTEM FEED WITH VALVE	1.00
PSV/65/641	HEAD TO LEVER VALVE PIPE	1.00
PSV/65/642	MIDI HEATING SYSTEM FEED PIPE	1.00
PSV/15/065	LEVER GATE VALVE	1.00
PSV/65/023	MIDI HEATING RETURN PIPING-ENGINE BAY	1.00
PSV/65/643	MIDI HEATING RETURN PIPE	1.00
PSV/65/644	MIDI HEATING RETURN PIPE 1 SWAGED END	1.00

W07-00526

HEATING - BASIC ASSEMBLY - 9.5 CUMMINS

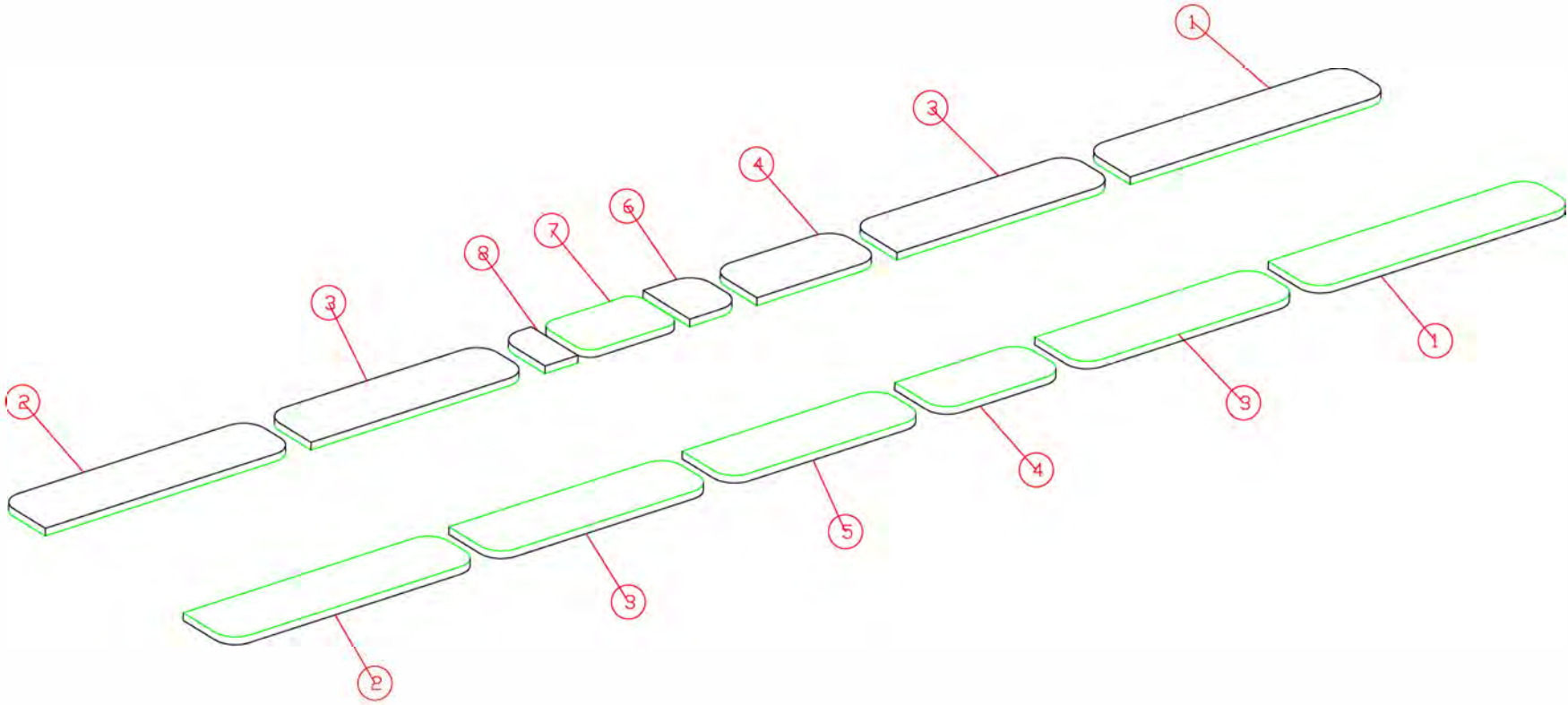
Stock Number	Description	Quantity
PSV/15/065	LEVER GATE VALVE	1.00
PSV/65/648	HEATER RETURN TO RADIATOR BOTTOM HOSE	1.00
PSV/45/082	150mm @ 28mm STRAIGHT	1.00
PSV/63/296	BREEZE CT HOSE CLAMP 16-27MM	2.00
PSV/44/993	BREEZE CT HOSE CLAMP 20-32 MM	2.00
PSV/44/994	BREEZE CT HOSE CLAMP 25-40 MM	4.00
PSV/65/875	MIDI ROOF HEATING KIT	1.00
PSV/15/270	VALVE 3-WAY 3 x 22 WITH PLUG	1.00
PSV/65/859	28mm 90 DEG ELBOW PLASTIC PUSH FITTING	2.00
PSV/63/226	22mm PLASTIC PIPE INSERT	2.00
PSV/65/860	28MM PLASTIC PIPE INSERT	2.00
PSV/65/863	28-22-22 PLASTIC TEE	2.00
PSV/65/870	15m HEP PIPE (28mm COILED)	1.00
PSV/65/871	10m HEP PIPE (22mm COILED)	2.00
PSV/44/978	NORMA RSGUI 28/20 CLIP	18.00
PSV/63/280	NORMA RSGUI 22mm CLIP	8.00
PSV/63/282	90-110MM JUBILEE CLIP	4.00
PSV/65/879	35-50mm NORMA CLIP - 12mm BAND	8.00
PSV/63/296	BREEZE CT HOSE CLAMP 16-27MM	2.00
PSV/44/993	BREEZE CT HOSE CLAMP 20-32 MM	2.00
PSV/44/994	BREEZE CT HOSE CLAMP 25-40 MM	4.00
PSV/65/881	1 3/4" - 3" 90DEG REDUCER FOR HEA-00881	1.00
PSV/45/068	90 RED ELB 22/15MM X 100MM LEGS	2.00
PSV/15/172	28mm 'ELB' SILICONE, 171mm LEGS	2.00
PSV/63/322	1.0m VACUFLEX HOSING (45mm DIA)	2.00
PSV/45/171	2.00M VACUFLEX HOSING (45MM DIA)	1.00
PSV/50/542	HEATER PIPE BRACKET	5.00
PSV/66/519	MIDI DEMISTER SUPPORT ANGLE	3.00
PSV/66/520	MIDI ROOF HEATER INTAKE DUCT DRAIN ELBOW	1.00
PSV/66/521	NEARSIDE DRIVER FEET VENT BRACKET	1.00
PSV/66/522	OFFSIDE DRIVER FEET VENT BRACKET	1.00
PSV/66/523	HEATER VALVE SUPPORT BRACKET	1.00
PSV/11/559	PLASTIC AIR VENT	2.00
PSV/64/753	1/2" I.D CLEAR PLASTIC TUBE	1.00

W07-00539

HEATING - BODY INSULATION 9.5

Stock Number	Description	Quantity
PSV/66/403	MIDI ROOF INSULATION KIT - 9.5M	1.00
PSV/66/406	ROOF INSULATION PANEL	2.00
PSV/66/407	ROOF INSULATION PANEL	2.00
PSV/66/408	ROOF INSULATION PANEL	4.00
PSV/66/409	ROOF INSULATION PANEL	2.00
PSV/66/418	ROOF INSULATION PART	1.00
PSV/66/420	ROOF INSULATION PART	1.00
PSV/66/421	ROOF INSULATION PART	1.00
PSV/66/422	ROOF INSULATION PART	1.00
PSV/66/404	CENTRE ROOF INSULATION KIT 9.5M	1.00
PSV/66/410	ROOF INSULATION PANEL	1.00
PSV/66/411	ROOF INSULATION PANEL	1.00
PSV/66/412	ROOF INSULATION PANEL	2.00
PSV/66/413	ROOF INSULATION PANEL	1.00
PSV/66/414	ROOF INSULATION PANEL	1.00
PSV/66/415	ROOF INSULATION PANEL	1.00
PSV/66/416	ROOF INSULATION PANEL	2.00
PSV/66/417	ROOF INSULATION PANEL	1.00
PSV/66/419	ROOF INSULATION PART	2.00
PSV/66/423	ROOF INSULATION PANEL	1.00
PSV/66/424	ROOF INSULATION PANEL	1.00
PSV/66/492	MIDIBUS ROOF BONDING RAIL	1.00
PSV/66/494	MIDIBUS ROOF SUPPORT 1538MM	1.00
PSV/66/495	MIDIBUS ROOF SUPPORT 1288MM	2.00
PSV/66/496	MIDIBUS ROOF BONDING RAIL	1.00
PSV/66/497	MIDIBUS ROOF BONDING RAIL	1.00
PSV/66/498	MIDIBUS ROOF BONDING RAIL	1.00

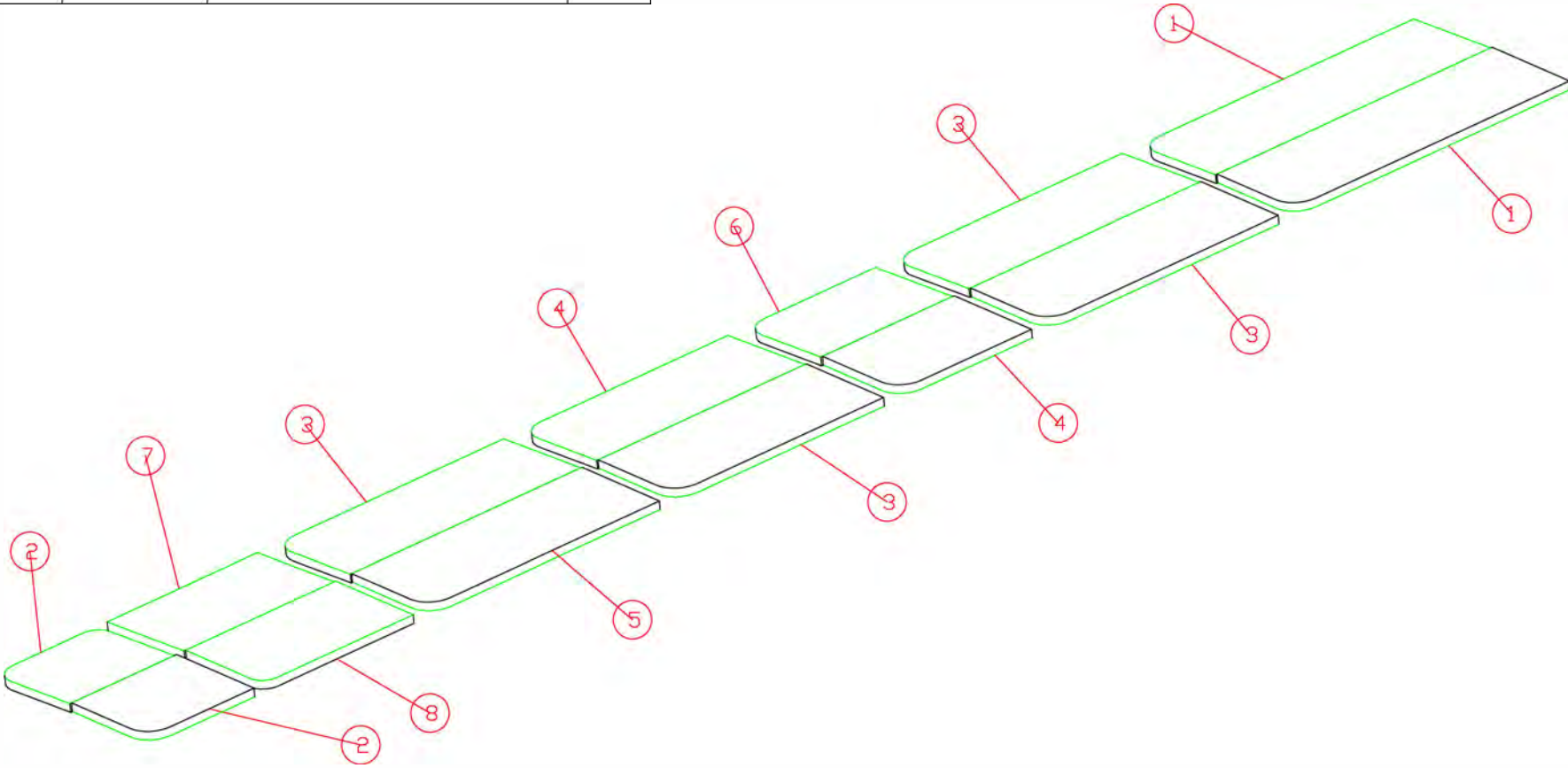
Index	Part No.	Description	Qty
1	PSV/66/406	ROOF INSULATION	2
2	PSV/66/407	ROOF INSULATION	2
3	PSV/66/408	ROOF INSULATION	4
4	PSV/66/409	ROOF INSULATION	2
5	PSV/66/418	ROOF INSULATION	1
6	PSV/66/420	ROOF INSULATION	1
7	PSV/66/421	ROOF INSULATION	1
8	PSV/66/422	ROOF INSULATION	1



HEATING - INSULATION - ROOF INSULATION KIT

W07-00539 - INK-00437

Index	Part No.	Description	Qty
1	PSV/66/410	ROOF INSULATION	1
2	PSV/66/411	ROOF INSULATION	1
3	PSV/66/412	ROOF INSULATION	2
4	PSV/66/413	ROOF INSULATION	1
5	PSV/66/414	ROOF INSULATION	1
6	PSV/66/415	ROOF INSULATION	1
7	PSV/66/416	ROOF INSULATION	2
8	PSV/66/417	ROOF INSULATION	1
9	PSV/66/419	ROOF INSULATION	2
10	PSV/66/423	ROOF INSULATION	1
11	PSV/66/424	ROOF INSULATION	1



W07-00539 - INK-00438
 HEATING - INSULATION - CENTRE ROOF INSULATION KIT

W08-00536

ENTRANCE DOOR - COMMON PARTS

Stock Number	Description	Quantity
PSV/62/767	4MM EQUAL TEE	1.00
PSV/51/994	MIDIBUS DOOR PORTAL SEAL	1.00
PSV/59/410	4MM SHUTTLE VALVE (OR GATE)	1.00
PSV/06/002	INTERNAL PASS.BUTTON OPEN/CLOSE PNEUMATI	1.00
PSV/62/070	6mmX1 AIRBRAKE HOSE (DIN 74324)	6.00
PSV/06/175	FILTER REGULATOR	1.00
PSV/65/034	EXTERNAL EMERGENCY BUTTON YELLOW	1.00
PSV/62/778	EXTERNAL EMERGENCY BUTTON COVER	1.00
PSV/11/242	G1/8 IMPULSE GENERATOR	1.00
PSV/65/591	UNEQUAL NYLON PUSH IN Y PIECE 8-6-6MM	1.00
PSV/64/754	8mmX1 AIRBRAKE HOSE (DIN 74324)	1.00
PSV/62/070	6mmX1 AIRBRAKE HOSE (DIN 74324)	2.00
PSV/62/774	MALE TAPER STRAIGHT ADAPTOR R1/8x4mm	2.00

W08-00538

EMERGENCY DOOR - BASIC ASSEMBLY

Stock Number	Description	Quantity
PSV/56/151	INTG MIDI BUS STOCK EMERGENCY DOOR	1.00
PSV/65/670	10mm QUICK FIT OPEN GROMMET	1.00
PSV/65/602	EMERGENCY DOOR LINEAR PILE SEAL	1.00
PSV/66/525	MIDIBUS EMG DOOR STEP FINISHER	1.00

W08-00538 - EDC-00153
EMERGENCY DOOR - BASIC ASSEMBLY

PSV/12/102
Interior Plastic grab Handle



PSV/56/152
Emergency Door Lock Assembly Including Exterior Handle
* PSV/12/101
Emergency Door Handle



PSV/41/232 Emergency Door Hinge
PSV/11/612 Lock Striker
PSV/10/786 Reed Switch
PSV/61/292 Main Outer Frame Seal
PSV/61/293 Outer Weather Seal

W08-00563

INTEGRAL MIDI 9.5M FE ENTRANCE DOOR

Stock Number	Description	Quantity
PSV/65/592	MIDI BLACK LEAFS/SIGNAL RED RAL 3001	1.00
PSV/65/593	MIDIBUS FRONT DOOR LEAF REPLACEMENT	1.00
PSV/65/595	MIDIBUS FRONT DOOR LEAF REPLACEMENT GLAS	1.00
PSV/65/594	MIDIBUS REAR DOOR LEAF REPLACEMENT	1.00
PSV/65/596	MIDIBUS REAR DOOR LEAF REPLACEMENT GLAS	1.00
PSV/41/424	DOOR SHAFT IG4 ASSEMBLED LEFT HAND	1.00
PSV/65/604	DOOR SHAFT IG4 ASSEMBLED RIGHT HAND	1.00
PSV/52/699	DOOR SHAFT SUPPORT ASSEMBLY IG4 LEFT 90	1.00
PSV/52/700	DOOR SHAFT SUPPORT ASSEMBLY IG4 RIGHT 90	1.00
PSV/65/605	MOUNTING KIT FOR DOORLEAFS IG4	1.00

W08-00563

MIDIBUS ENT DOOR SHELF PLATE FINISHER

Stock Number	Description	Quantity
PSV/65/339	MIDI ENTRANCE DOOR SHELF PLATE RAL 7015	1.00
PSV/11/421	M6x30 - FLANGE SOCKET BUTTON SCREW - Z+B	14.00

W08-00645

DOOR - MIDIBUS ENTRANCE DOOR SHELF PLATE

Stock Number	Description	Quantity
PSV/65/615	MIDI 9.5 FE SHELF PLATE C/W PRESSURE SW	1.00
PSV/66/524	MIDI SHELF PLATE ATTACHMENT BRACKET ASSY	2.00
PSV/65/650	MIDI DSP ADAPTER BRACKET RHS	1.00
PSV/65/651	MIDI DSP ADAPTER BRACKET LHS	1.00
PSV/49/954	PILLAR PACKER TOGGLE - M10	8.00
PSV/11/197	M10x20 DURLOCK BOLT PATCHED	8.00
PSV/65/041	M10 CAD.PLATED FLAT WASHER	8.00
PSV/65/744	M10 SELF FINISH NYLOC NUT	8.00

W08-00671

DOORS - 'B' PILLAR DOOR POLE GUARD

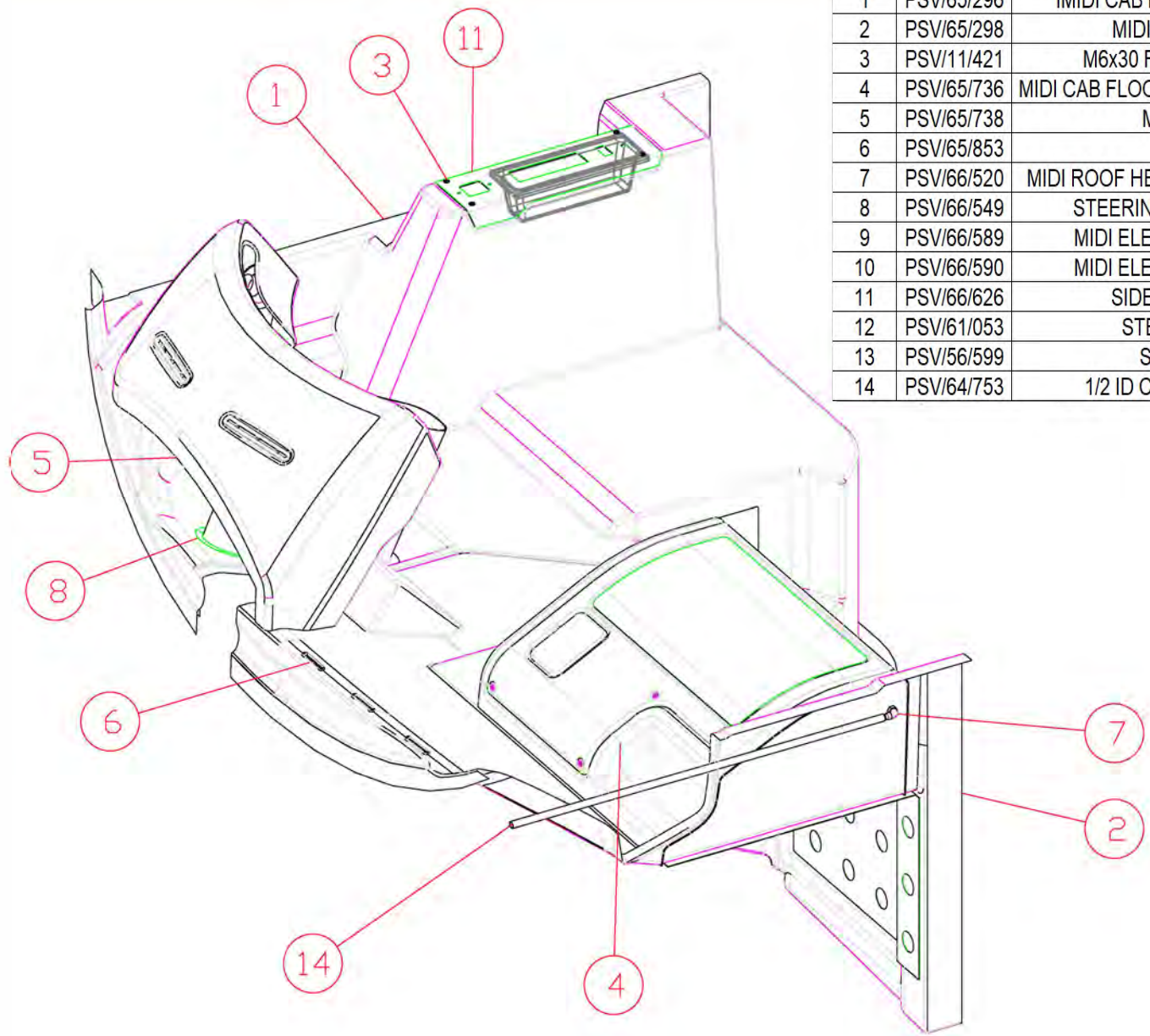
Stock Number	Description	Quantity
PSV/27/057	CABLE ABS SENSOR EXTENSION	2.00
PSV/27/051	CABLE ABS SOLENOID VALVE	2.00
PSV/27/048	CABLE BST AND PROPORTIONAL RELAY VALVE	2.00
PSV/66/526	'B' PILLAR DOOR POLE GUARD	1.00
PSV/27/066	CABLE BST	1.00
PSV/27/047	CABLE AXLE MODULATOR	1.00
PSV/27/054	CABLE BACK-UP VALVE	1.00
PSV/27/072	CABLE WHEEL SPEED SENSOR RA	2.00
PSV/27/050	CABLE ECAS VALVE	3.00
PSV/27/068	CABLE HEIGHT SENSOR	4.00
PSV/27/262	ECU MULTIWAY PLUG 17 WAY	1.00
PSV/65/349	ECU MULTIWAY PLUG 12 WAY	1.00
PSV/27/267	ECU MULTIWAY PLUG 6 WAY	1.00
PSV/26/926	NON RETURN VALVE	1.00
PSV/26/998	PRESSURE TRANSDUCER 12BAR MAX 24V	2.00
PSV/55/231	90 DEGREE ELBOW M22 MALE 12mm PUSH IN	41.00
PSV/59/513	BULKHEAD MALE M22 12mm PUSH IN	7.00
PSV/62/248	M22 MALE BLANKING PLATE	12.00
PSV/62/249	MALE STUD M22 12mm	20.00

W09-00677

FLOOR - FIBREGLASS MINI

Stock Number	Description	Quantity
PSV/65/150	MIDI ELECTRICAL PANEL BOX SEALING RUBBER	1.00
PSV/44/757	RUBBER - BULBTITE SVF 20	3.00
PSV/65/296	MIDI FA OFFSIDE CAB FLOOR & WHEELARCH	1.00
PSV/65/298	MIDI FA NEAR SIDE CAB FLOOR & WHEELARCH	1.00
PSV/65/312	MIDI NS CAB FLOOR ELECTRICAL PANEL COVER	1.00
PSV/65/313	MIDI NS CAB FLOOR ELECTRICAL PANEL DOOR	1.00
PSV/65/314	MIDIBUS DWP SHROUD PLENIUM	1.00
PSV/65/315	MIDIBUS DWP SHROUD GREY RAL 7015	1.00
PSV/65/319	MIDIBUS SIDECONSOLE INSERT POCKET	1.00
PSV/65/323	MIDI ELECTRICAL PANEL ACCESS FLAP	1.00
PSV/65/601	MIDI ELECTRICAL PANEL HINGE	1.00
PSV/41/283	FAST LEAD RECEPTACLE	6.00
PSV/41/313	SOUTHCO FAST LEAD SCREW - MEDIUM SIZE	6.00
PSV/65/736	LO NS CAB FLOOR ELECT PANEL ENCLOSURE	1.00
PSV/65/150	MIDI ELECTRICAL PANEL BOX SEALING RUBBER	1.00
PSV/44/757	RUBBER - BULBTITE SVF 20	3.00
PSV/65/312	MIDI NS CAB FLOOR ELECTRICAL PANEL COVER	1.00
PSV/65/313	MIDI NS CAB FLOOR ELECTRICAL PANEL DOOR	1.00
PSV/65/323	MIDI ELECTRICAL PANEL ACCESS FLAP	1.00
PSV/65/601	MIDI ELECTRICAL PANEL HINGE	1.00
PSV/41/283	FAST LEAD RECEPTACLE	6.00
PSV/41/313	SOUTHCO FAST LEAD SCREW - MEDIUM SIZE	6.00
PSV/66/370	MIDI ELECTRICAL ACCES FLAP MAGNET	1.00
PSV/65/738	LO MIDIBUS DWP SHROUD ASSY MISTRAL SPEC	1.00
PSV/65/315	MIDIBUS DWP SHROUD GREY RAL 7015	1.00
PSV/65/314	MIDIBUS DWP SHROUD PLENIUM	1.00
PSV/11/559	PLASTIC AIR VENT	2.00
PSV/56/089	3" AIR VENT - FULLY ADJUSTABLE	1.00
PSV/65/881	1 3/4" - 3" 90DEG REDUCER FOR HEA-00881	1.00
PSV/63/204	TOP HAT 50mmx50mm	2.00
PSV/66/588	MIDI DWP SHROUD SUPPORT RAIL	2.00
PSV/56/089	3" AIR VENT - FULLY ADJUSTABLE	1.00
PSV/63/204	TOP HAT 50mmx50mm	2.00
PSV/65/881	1 3/4" - 3" 90DEG REDUCER FOR HEA-00881	1.00
PSV/66/370	MIDI ELECTRICAL ACCES FLAP MAGNET	1.00
PSV/66/520	MIDI ROOF HEATER INTAKE DUCT DRAIN ELBOW	1.00
PSV/66/588	MIDI DWP SHROUD SUPPORT RAIL	2.00
PSV/66/589	MIDI ELECTRICAL ENCLOSURE ANGLE	10.00
PSV/66/590	MIDI ELECTRICAL ENCLOSURE ANGLE	1.00
PSV/11/559	PLASTIC AIR VENT	2.00
PSV/64/753	1/2" I.D CLEAR PLASTIC TUBE	1.00

Index	Part No	Description	Qty
1	PSV/65/296	IMIDI CAB FLOOR & WHEELARCH OFFSIDE	1
2	PSV/65/298	MIDIBUS NS CAB FLOOR ASSY	1
3	PSV/11/421	M6x30 FLANGE SOCKET SCREW Z+B	4
4	PSV/65/736	MIDI CAB FLOOR ELECTRICAL PANEL ENCLOSURE	1
5	PSV/65/738	MIDIBUS DWP SHROUD	1
6	PSV/65/853	DEMISTER VENT	3
7	PSV/66/520	MIDI ROOF HEATER INTAKE DUCT DRAIN ELBOW	1
8	PSV/66/549	STEERING SHAFT BOOT CLAMP PLATE	1
9	PSV/66/589	MIDI ELECTRICAL ENCLOSURE ANGLE	10
10	PSV/66/590	MIDI ELECTRICAL ENCLOSURE ANGLE	1
11	PSV/66/626	SIDE CONSOLE COVER PLATE	1
12	PSV/61/053	STEERING COLUMN COVER	1
13	PSV/56/599	STEERING SHAFT BOOT	1
14	PSV/64/753	1/2 ID CLEAR PLASTIC TUBE (metres)	1

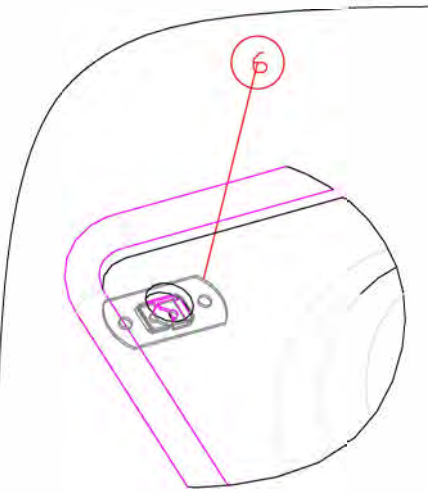
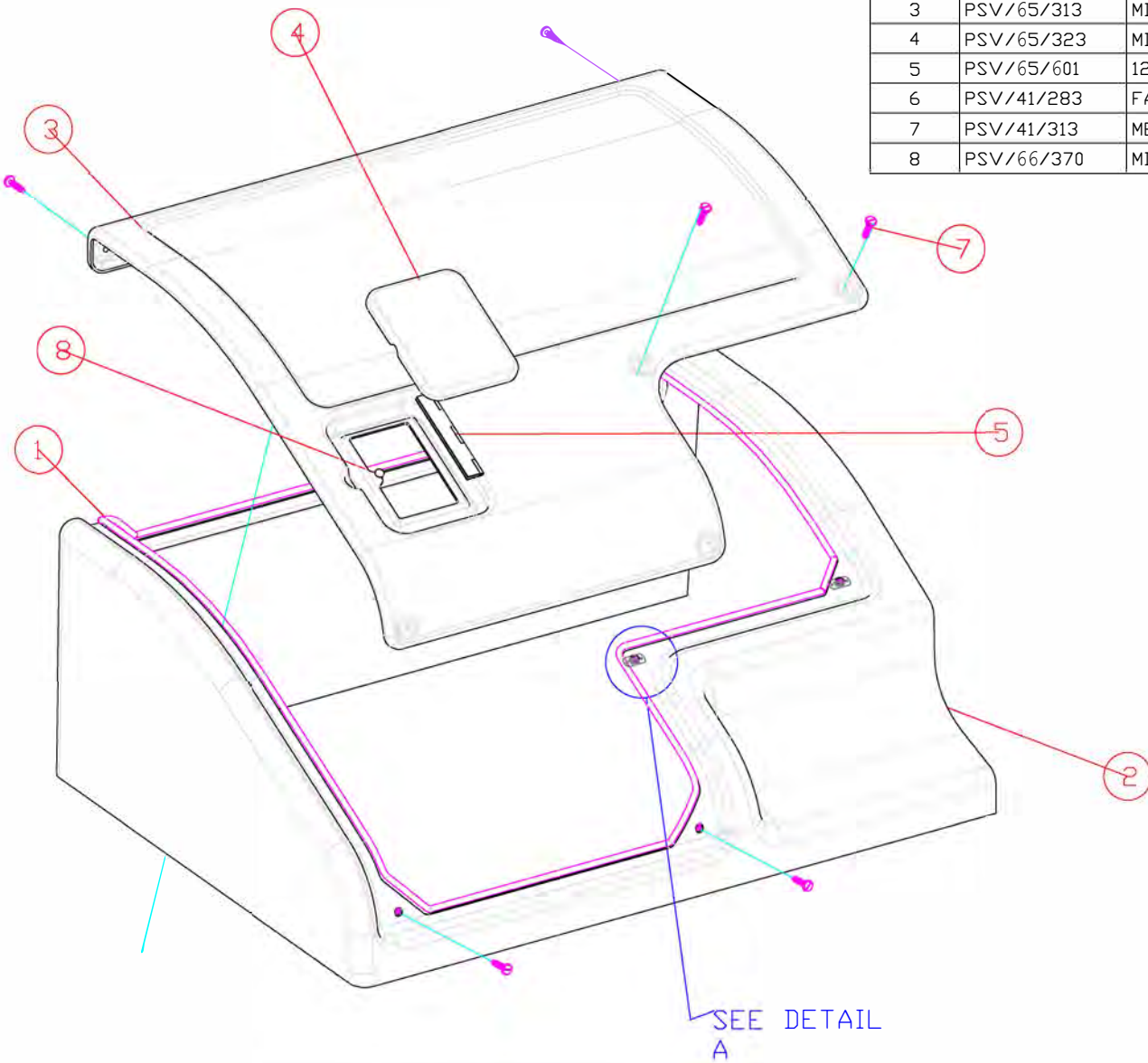


W09-00677
 FLOOR - FIBREGLASS

FLOOR - FIBREGLASS - CAB FLOOR ELECTRICAL PANEL ENCLOSURE

W09-00677 - FGA-00841

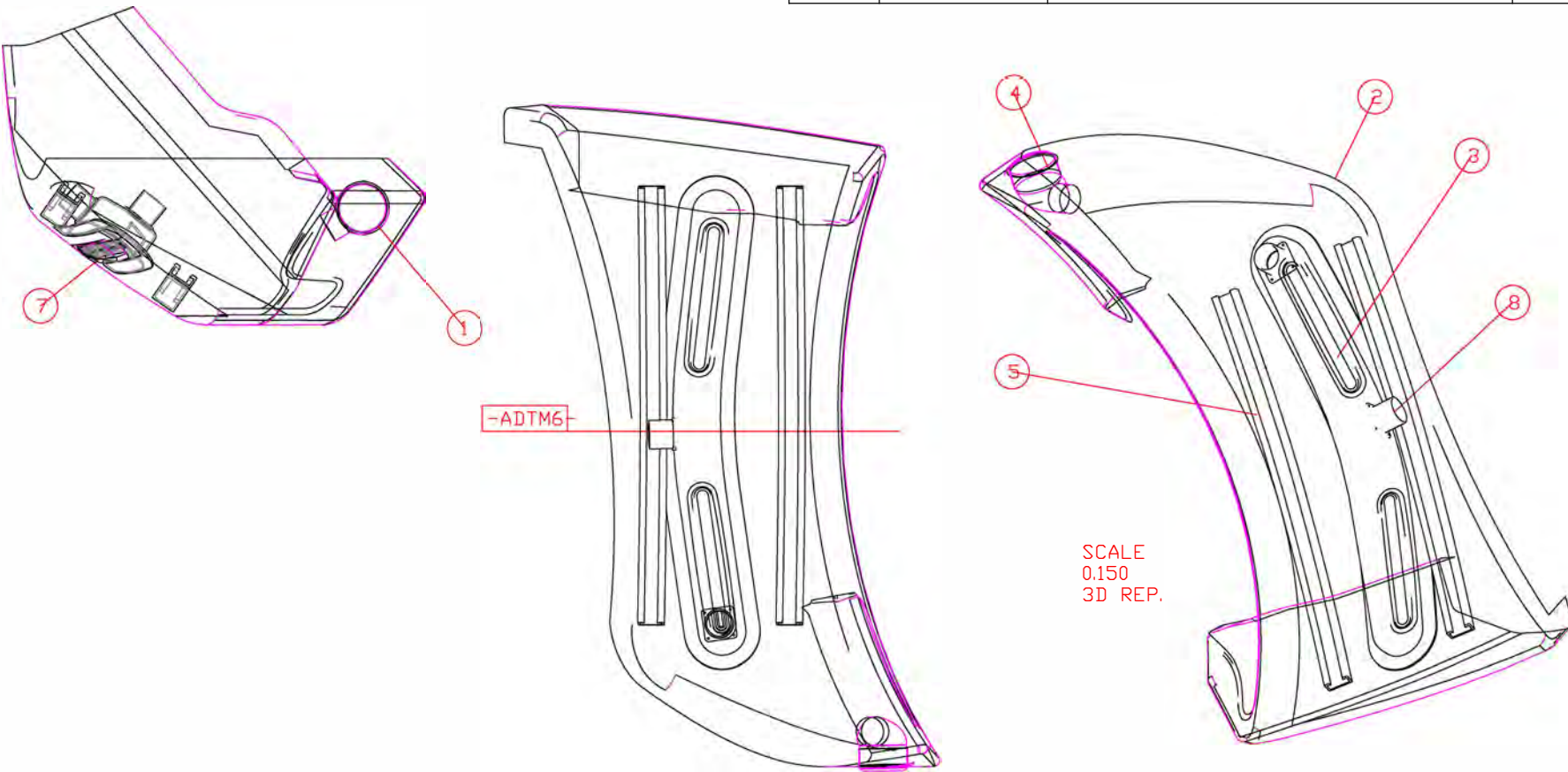
Index	Part No.	Description	Qty
1	PSV/65/150	3/4" BULB RUBBER SEAL	1
2	PSV/65/312	MIDI 8.8m/9.5m ELECTRICAL PANEL COVER	1
3	PSV/65/313	MIDI CAB FLOOR ELECTRICAL PANEL DOOR	1
4	PSV/65/323	MIDIBUS CAB FLOOR ELECT PANEL DOOR	1
5	PSV/65/601	120mm Piano Hinge	1
6	PSV/41/283	FAST LEAD SCREW RECEPTACLE	6
7	PSV/41/313	MEDIUM FAST LEAD SCREW	6
8	PSV/66/370	MIDI ELECTRICAL ACCES FLAP MAGNET	1



DETAIL A
SCALE
0.750

FIT ITEMS 4 TO
UNDERSIDE
OF FIBREGLASS
ENCLOSURE
LINING UP HOLE
CENTRES

Index	Part No.	Description	Qty
1	PSV/65/314	midibus dwp plenum	1
2	PSV/65/315	midibus dwp shroud	1
3	PSV/15/265	3' AIR VENT - FULLY ADJUSTABLE	1
4	PSV/63/204	TOP HAT 50mmx50mm	2
5	PSV/65/881	1 3/4" - 3" 90DEG REDUCER FOR HEA-00881	1
6	PSV/66/588	MIDI DWP SHROUD SUPPORT RAIL	2
7	PSV/11/559	6MM SLOT VENT	2



FLOOR - FIBREGLASS - MIDIBUS DWP SHROUD

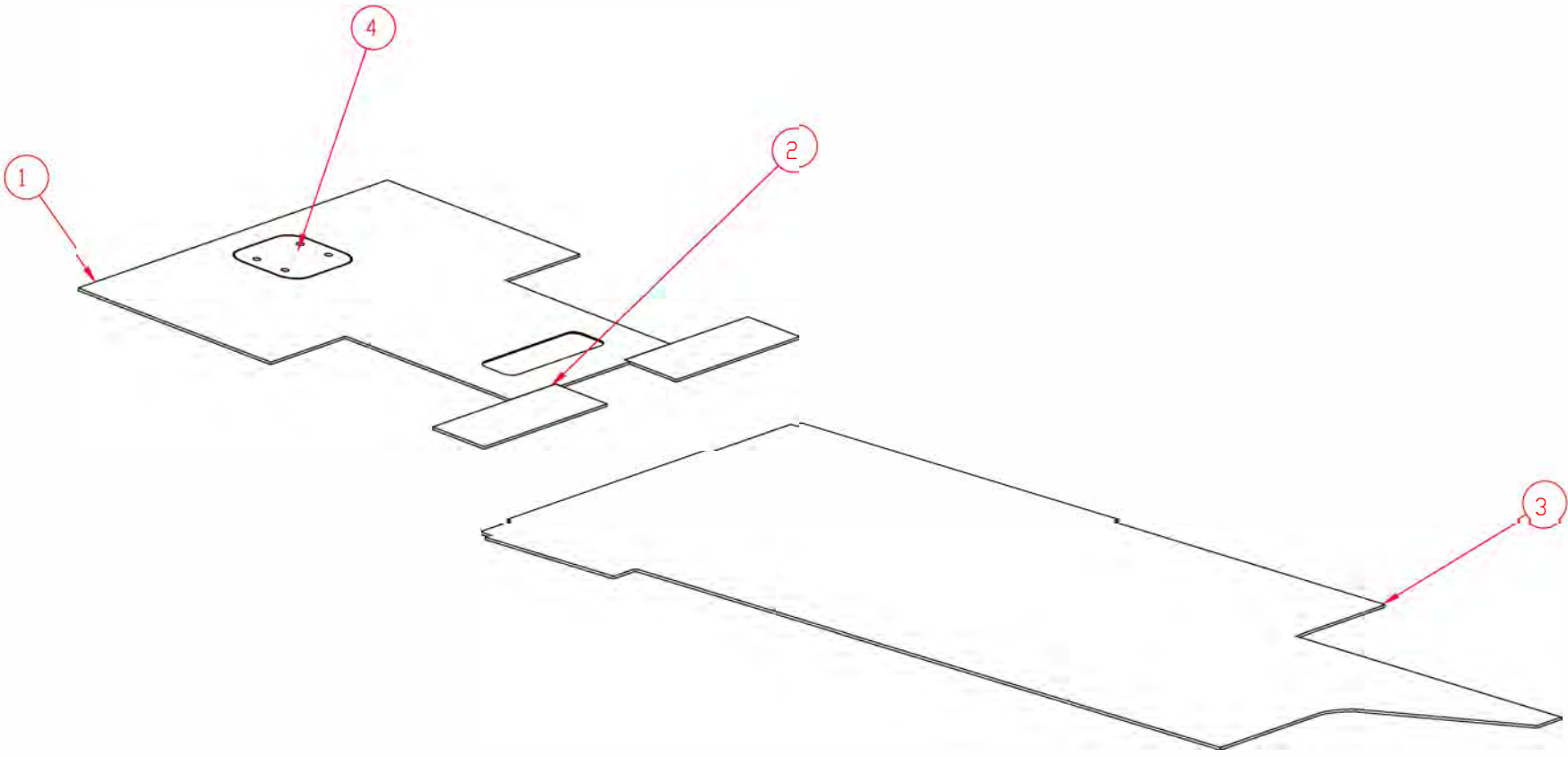
W09-00677 - FGA-00900

W09-00683

FLOOR MED DURABILITY PLYWOOD CLASS2 9.5

Stock Number	Description	Quantity
PSV/60/828	M8 SELF FINISH HEX NUT	2.00
PSV/63/104	SUPPORT BRACKET MAIN STAY	1.00
PSV/50/276	RESISTOR BRCKT STRAP	1.00
PSV/66/747	FLOOR PLYWOOD KIT 9.5	1.00
PSV/43/462	M24 X 3 BY 110 BOLT GD 10.9 ZINC NICKEL	1.00
PSV/65/763	M24 WASHER ZINC NICKEL HARDENED	2.00
PSV/66/748	PLYWOOD FLOOR PART	1.00
PSV/65/749	M24 X 3 NUT GD 10 ZINC NICKEL	1.00
PSV/43/449	M8x40 CAP SCREW - 10.9 - Z/C	9.00
PSV/66/749	PLYWOOD FLOOR PART	1.00
PSV/65/418	EXHAUST MOUNT ASSY SIDE MOUNT	1.00
PSV/62/550	VIBRATION MOUNT HEAT RESISTANT	4.00
PSV/66/750	PLYWOOD FLOOR PART	1.00
PSV/65/417	EXHAUST BRKT ASSY SIDE MOUNT	2.00
PSV/66/751	PLYWOOD FLOOR PART	1.00
PSV/65/416	EXHAUST MOUNT SIDE MOUNTED	1.00
PSV/62/551	WEB EXHAUST MOUNT SIDE MOUNT	1.00
PSV/66/752	PLYWOOD FLOOR PART	1.00
PSV/45/476	INTEGRAL BODY PART - FAB - EXHAUST BKT	1.00
PSV/45/477	INTEGRAL BODY PART - FAB - EXHAUST BKT	1.00
PSV/62/553	FERRULE VIBRATION MOUNT	4.00
PSV/60/697	VIBRATION MOUNT HEAT RESISTANT	4.00
PSV/62/954	M8x30 CAD ENG.BOLT	4.00
PSV/62/955	M8x60 CAD ENG.BOLT	4.00
PSV/63/036	M8 ALL METAL SELF LOCKING NUT Z & C	8.00
PSV/63/055	M8X55MMX3MM S/STEEL SNUBBING	4.00
PSV/64/760	EXHAUST LOWER STRAP BRACKET - S-STEEL	2.00
PSV/45/476	INTEGRAL BODY PART - FAB - EXHAUST BKT	1.00
PSV/45/477	INTEGRAL BODY PART - FAB - EXHAUST BKT	2.00
PSV/65/419	CHASSIS PART MISCELLANEOUS	1.00
PSV/65/420	CHASSIS PART MISCELLANEOUS	1.00
PSV/65/922	REAR RADIATOR MOUNT ASSEMBLY	1.00
PSV/63/475	RADIATOR MOUNT	1.00
PSV/63/476	REAR RAD MOUNT STRUT	1.00
PSV/63/477	RADIATOR MOUNTING PLATE	1.00

Index	Part Number	Compnt Type	Description	Qty
1	PSV/66/748	PART	PLYWOOD FLOOR PART	1
2	PSV/66/749	PART	PLYWOOD FLOOR PART	2
3	PSV/66/750	PART </td <td>PLYWOOD FLOOR PART</td> <td>1</td>	PLYWOOD FLOOR PART	1
4	PSV/66/751	PART	PLYWOOD FLOOR PART	1



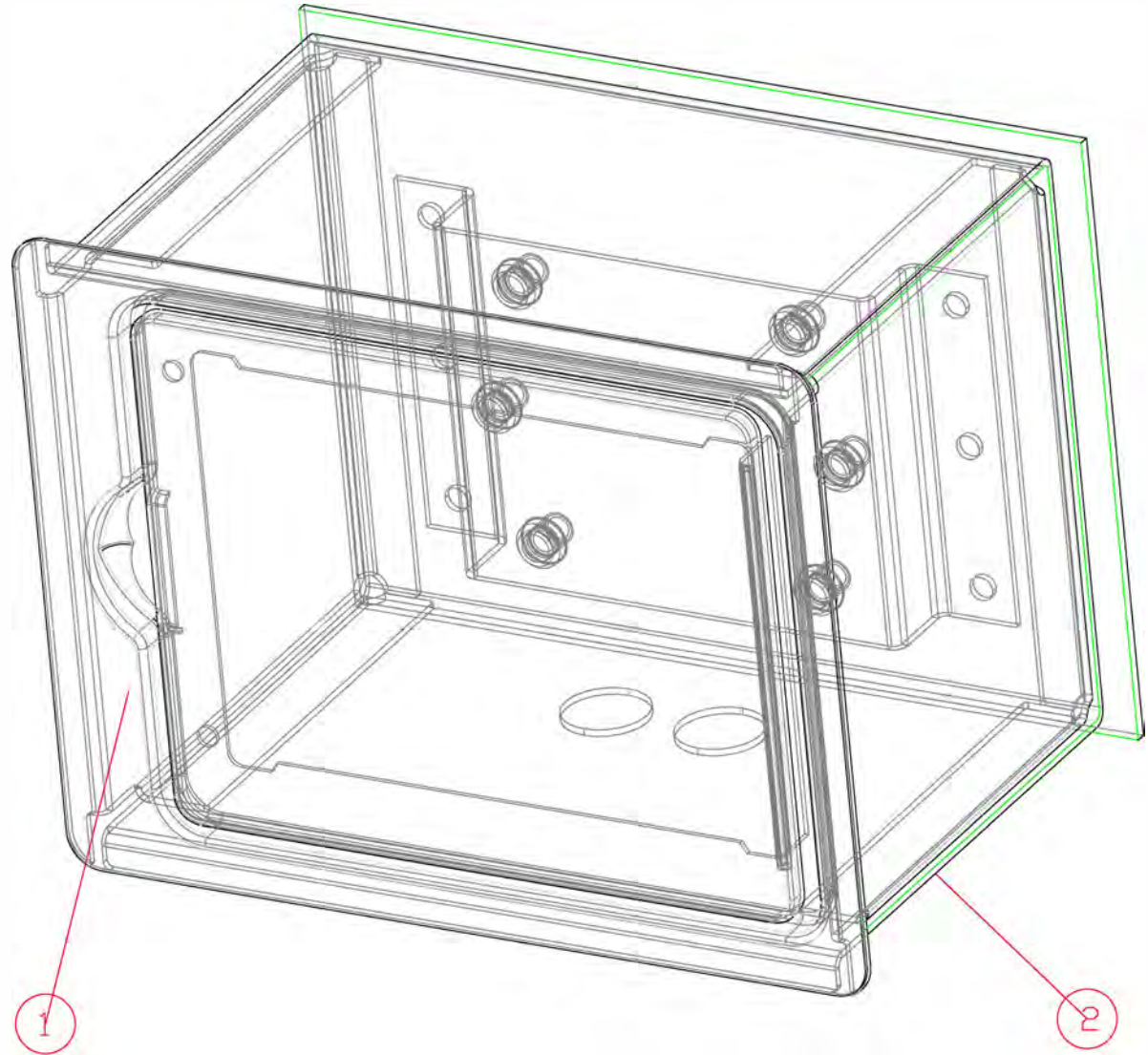
W09-00683
FLOOR - PLYWOOD

W09-00800

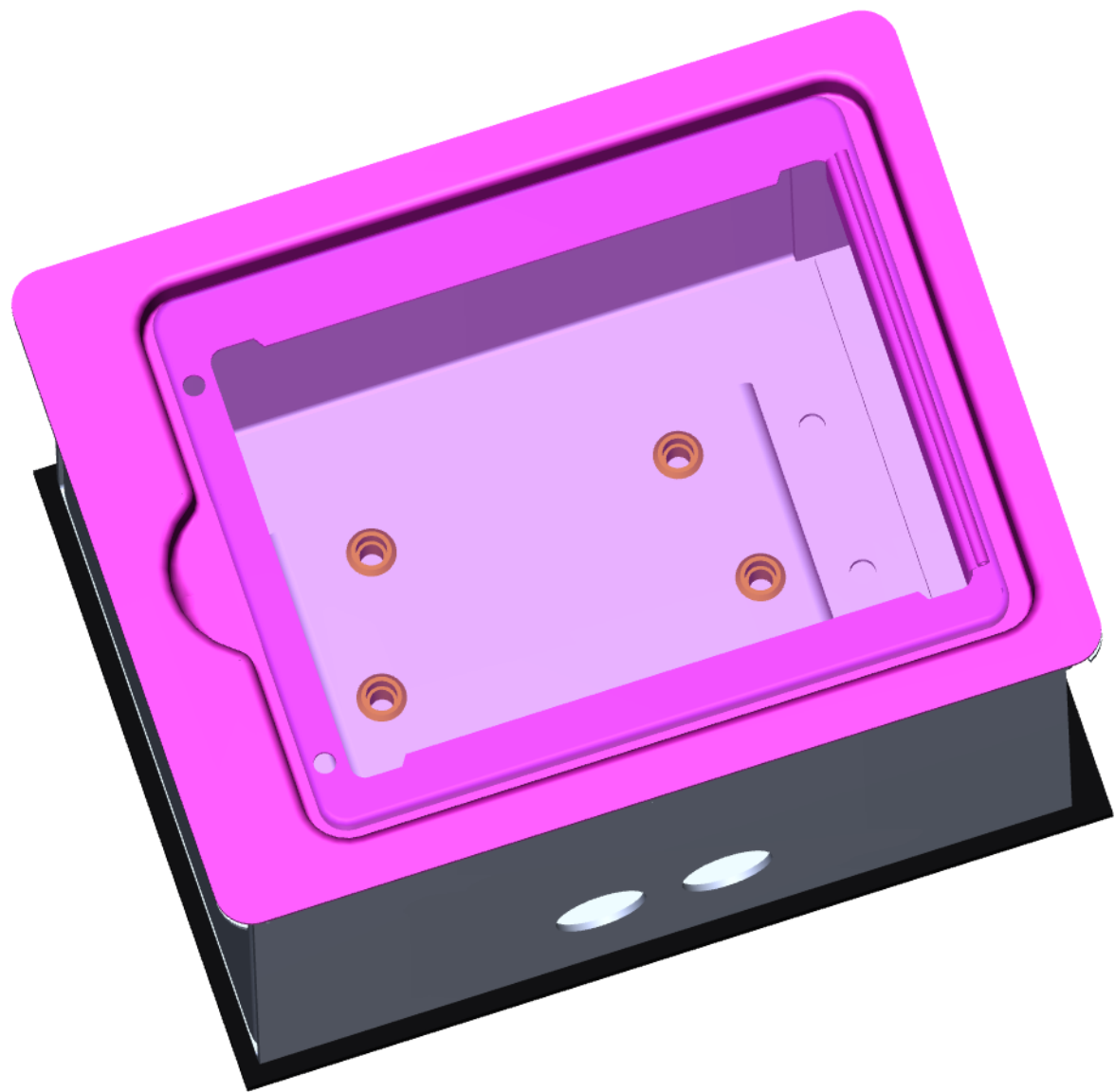
FLOOR - MIDI BATTERY BOOST ASSEMBLY

Stock Number	Description	Quantity
PSV/62/960	M10X20 HIGH TENSILE BOLT	8.00
PSV/49/954	PILLAR PACKER TOGGLE - M10	5.00
PSV/64/070	STUB PILLAR FACE PLATE	1.00
PSV/54/134	FUEL FILLER FLAP - SMALL	1.00
PSV/64/675	DOUBLE DECK - BODY PILLAR ASSEMBLY	1.00
PSV/62/850	LOCK NUT -25mm EHL/3	2.00
PSV/62/131	120x40mm open face Door pillar	1.00
PSV/62/851	BUSH - 25mm SMB/3	2.00
PSV/62/444	MILL.EXT.BOX 120x40 5.1M	0.20
PSV/66/544	BATTERY BOOST BOX ASSEMBLY	1.00
PSV/11/207	169mm PILLAR PACKER	1.00
PSV/36/119	B9TL EURO4 O/S B-PILLAR HANDPOLE GROUND	2.00
PSV/43/676	M6 OPEN END NUTSERT	6.00
PSV/12/979	4 BOLT CORNER ASSEMBLY (STANDARD)	2.00
PSV/54/064	M8X15 TORX BUTTON SCREW PATCHED	4.00
PSV/66/545	BATTERY BOOST BOX PART	1.00
PSV/54/063	ALUM ACCESSORY TOGGLE M8	4.00
PSV/66/546	BATTERY BOOST BOX PART	2.00
PSV/38/238	4 BOLT CORNER	1.00
PSV/64/479	B9TL EURO4 BATTERY BOOST ATTACH PLATE	1.00
PSV/62/056	400MM X AUE-00089 PILLAR PACKER	1.00
PSV/66/717	190X250X3 FLAT RUBBER SPACER	1.00
PSV/64/676	DOUBLE DECK - BODY PILLAR ASSEMBLY	1.00
PSV/56/585	RUBBER BUNG DOOR STOP	2.00
PSV/62/129	BODY PILLAR	1.00
PSV/11/156	ALUM BOX 80 x 40 (7.7M)	0.19
PSV/12/979	4 BOLT CORNER ASSEMBLY (STANDARD)	2.00
PSV/54/064	M8X15 TORX BUTTON SCREW PATCHED	4.00
PSV/54/063	ALUM ACCESSORY TOGGLE M8	4.00
PSV/38/238	4 BOLT CORNER	1.00
PSV/12/980	4 BOLT CORNER ASSY (BONDED WINDOW TYPE)	2.00
PSV/38/239	ALUM ACCSY BONDED WINDOW BRACKET	1.00
PSV/54/063	ALUM ACCESSORY TOGGLE M8	4.00
PSV/43/348	M8x20 TORX BUTTON SCREW PATCHED	4.00
PSV/64/725	RUBBER SPACER 2x10x10mm SELF ADHESIVE	60.00

Index	Part No.	Description	Qty
1	PSV/13/393	MODIFIED SMALL FILLER FLAP	1
2	PSV/66/544	Battery Boost Socket Asm	1



W09-00800
 FLOOR - BATTERY BOOST ASSEMBLY



W09-00838

FLOOR - BASIC ASSEMBLY - 9.5

Stock Number	Description	Quantity
PSV/64/384	RADIATOR FLY SCREEN SURROUND ASM	1.00
PSV/65/111	CABFLOOR SEALING PLATE	1.00
PSV/63/046	M8 LARGE FLANGE HEXSERT (0.5-3 MM GRIP)	12.00
PSV/64/380	DRIVELINE RADIATOR FLY SCREEN SURROUND	1.00
PSV/65/288	ALUM SHT.2500x1250x1.2mm(18G)	0.00
PSV/64/383	RADIATOR FLY SCREEN SURROUND SUPPORT	1.00
PSV/64/385	RADIATOR SHEETMETAL PANEL FLYSCREEN ASM	1.00
PSV/65/151	INNER GUARD SUPPORT BRACKET	1.00
PSV/64/386	RADIATOR SHEETMETAL PANEL FLYSCREEN PART	1.00
PSV/64/387	RADIATOR SHEETMETAL PANEL FLYSCREEN PART	1.00
PSV/66/741	STEEL SHT.2438x1219x3 H/G	0.00
PSV/65/152	N/S INNER GUARD SUPPORT BRACKET	1.00
PSV/66/741	STEEL SHT.2438x1219x3 H/G	0.00
PSV/65/184	MIDI ENG LOOM SKID BRACKET	1.00
PSV/65/285	ALUM ANGLE 76x38x3mm (5M)	0.01
PSV/62/276	ADH SIKA 205 CLEAN 1 LITRE	1.00
PSV/65/261	FREEFIX BONDING PASTE 25	0.20
PSV/65/262	SIKA 215 ABS PRIMER	0.50
PSV/65/263	SIKAFLEX PRO 15 FC GREY 310ML	1.00
PSV/65/264	ADH SIKA PRIMER 204	0.50
PSV/64/388	RADIATOR SHEETMETAL PANEL FLYSCREEN PART	1.00
PSV/64/390	FUEL FILLER FRAME ASSEMBLY	1.00
PSV/12/911	CONCEALED HINGE	2.00
PSV/43/663	M8X20 CAD.CSK.MACHINE SCREW	11.00
PSV/43/667	M8 CAD.PLATED NYLOC NUT	8.00
PSV/60/163	M8 CAD.PLATED WASHER	8.00
PSV/51/134	HINGE STOPPER BLOCK	2.00
PSV/64/381	FUEL DOOR BACKING PLATE	1.00
PSV/64/389	FUEL DOOR BACKING PLATE	1.00
PSV/64/391	DOOR BACKING PLATE SUPPORT	4.00
PSV/64/404	DOOR BACKING PLATE SUPPORT	2.00
PSV/64/403	AD BLUE FILL SPLASH TRAY ASSEMBLY	1.00
PSV/64/370	UREA FILL SHROUD 10mm STAINLESS ST FILL	1.00
PSV/64/402	AD BLUE FILL SPLASH TRAY	1.00
PSV/64/753	1/2" I.D CLEAR PLASTIC TUBE	0.60
PSV/65/265	ADH SIKA 255FC BLACK 310	3.00
AE518_13A	Interior Front Basic Assemblies	1.00
PSV/65/266	ADH SIKA 555 400ML SAUSAGE	20.00
PSV/64/840	INTERIOR FRONT - OMO SOCKET	1.00
PSV/62/853	MULTI POSITION PLUG	1.00
PSV/65/267	RAL 7015 GREY TARABUS SEALER FORMOA 006	2.00
PSV/42/356	I.E.C OUTLET SOCKET	1.00
PSV/62/281	SIKA 552 WHITE 600ML SAUSAGE	2.00
PSV/64/841	INTERIOR FRONT - DRIVERS CUP HOLDER	1.00
PSV/21/065	DRINKS HOLDER	1.00
PSV/65/268	ADH FIRESEAL	2.00
PSV/65/310	MIDIBUS NS SLOPED SEAT RAIL FINISHER	1.00
PSV/64/842	INTERIOR FRONT - 2 WAY LICENCE HOLDER	1.00
PSV/17/978	LICENCE HOLDER - 2 WAY	1.00

W09-00838

FLOOR - BASIC ASSEMBLY - 9.5

Stock Number	Description	Quantity
PSV/12/267	FLOOR TRAP FASTENER	4.00
PSV/65/805	RUBBER TITANFAST BLACK SMALL	1.00
PSV/64/843	INTERIOR FRONT - MIRROR	1.00
PSV/66/199	INTEGRAL BODY PART - O/S WHEELARCH ASM	1.00
PSV/13/298	INTEROR DRIVERS MIRROR HEAD (WIDE ANGLE)	1.00
PSV/56/754	MIRROR ARM	1.00
PSV/66/050	INTEGRAL BODY PART - FABRICATED PARTS	1.00
PSV/66/052	INTEGRAL BODY PART - FABRICATED PARTS	1.00
PSV/59/878	TRIANGULAR BRACKET FOR MIR-00002	1.00
PSV/66/202	WHEELARCH SEALING PLATE	1.00
PSV/64/844	INT FRONT HIDDEN START SWITCH RHS EU4 DD	1.00
PSV/66/300	WHEELARCH SEALER	1.00
PSV/62/212	D/DECK RFS HIDDEN START SWITCH BRACKET	1.00
PSV/66/200	INTEGRAL BODY PART - N/S WHEELARCH ASM	1.00
PSV/62/312	ALUM SHT .2500x1250x2MM (14g.)	0.00
PSV/66/050	INTEGRAL BODY PART - FABRICATED PARTS	1.00
PSV/18/013	SWITCH - ROCKER SINGLE POSITION	1.00
PSV/66/051	INTEGRAL BODY PART - FABRICATED PARTS	1.00
PSV/64/845	MID SALOON LARGE RECTANGULAR CONVEX MIRR	1.00
PSV/62/969	M6x20MM TORX CAP CHROME FIN. PRECOTE 80	1.00
PSV/66/202	WHEELARCH SEALING PLATE	1.00
PSV/64/481	MIRROR BRACKET	1.00
PSV/52/291	CONVEX MIRROR	1.00
PSV/66/300	WHEELARCH SEALER	1.00
PSV/64/846	INTERIOR FRONT BASIC ASSEMBLY	1.00
PSV/46/308	305x45x25mm THICK FOIL FACED FOAM PAD	3.00
PSV/06/339	ENTRANCE DOOR BUTTON - GREEN - ELECTRIC	3.00
PSV/46/325	40MM DIA ENCAP WASHER N6 NYLON HIGH TEMP	58.00
PSV/06/338	ENTRANCE DOOR BUTTON - RED - ELECTRIC	1.00
PSV/46/340	MIDI REAR SEATBOX INSULATION PART	1.00
PSV/41/412	CREW,SERIES 84 SWITCH WITH ORANGE LENS	1.00
PSV/46/344	NOISE INSULATION PART	2.00
PSV/62/779	LOCK,SERIES 84 SWITCH WITH ORANGE LENS	1.00
PSV/62/780	ALERT,SERIES 84 SWITCH WITH RED LENS	1.00
PSV/65/603	DRIVE,SERIES 84 SWITCH WITH GREEN LENS	1.00
PSV/65/667	NBFL DASH SWITCH KIT	1.00
PSV/56/114	DWC KNEELING SW 1526.93.02.0.669.99	1.00
PSV/56/112	DWC FERRYLIFT SW 1526.93.03.0.476.99	1.00
PSV/41/663	DWC MASTER SW 1526.93.00.0.604.99	1.00
PSV/10/912	DWC IGNITION SW 1526.93.01.0.687.99	1.00
PSV/11/160	DWC ENG START 1526.93.00.0.410.99	1.00
PSV/46/345	NOISE INSULATION PART	1.00
PSV/46/346	NOISE INSULATION PART	1.00
PSV/66/425	REAR SEATBOX INSULATION	1.00
PSV/46/347	SEATBOX ACCESS DOOR INSULATION	1.00
PSV/50/542	HEATER PIPE BRACKET	1.00
PSV/66/535	OFFSIDE SEALING PLATE	1.00
PSV/66/533	OFFSIDE SEALING PLATE	1.00

W09-00838

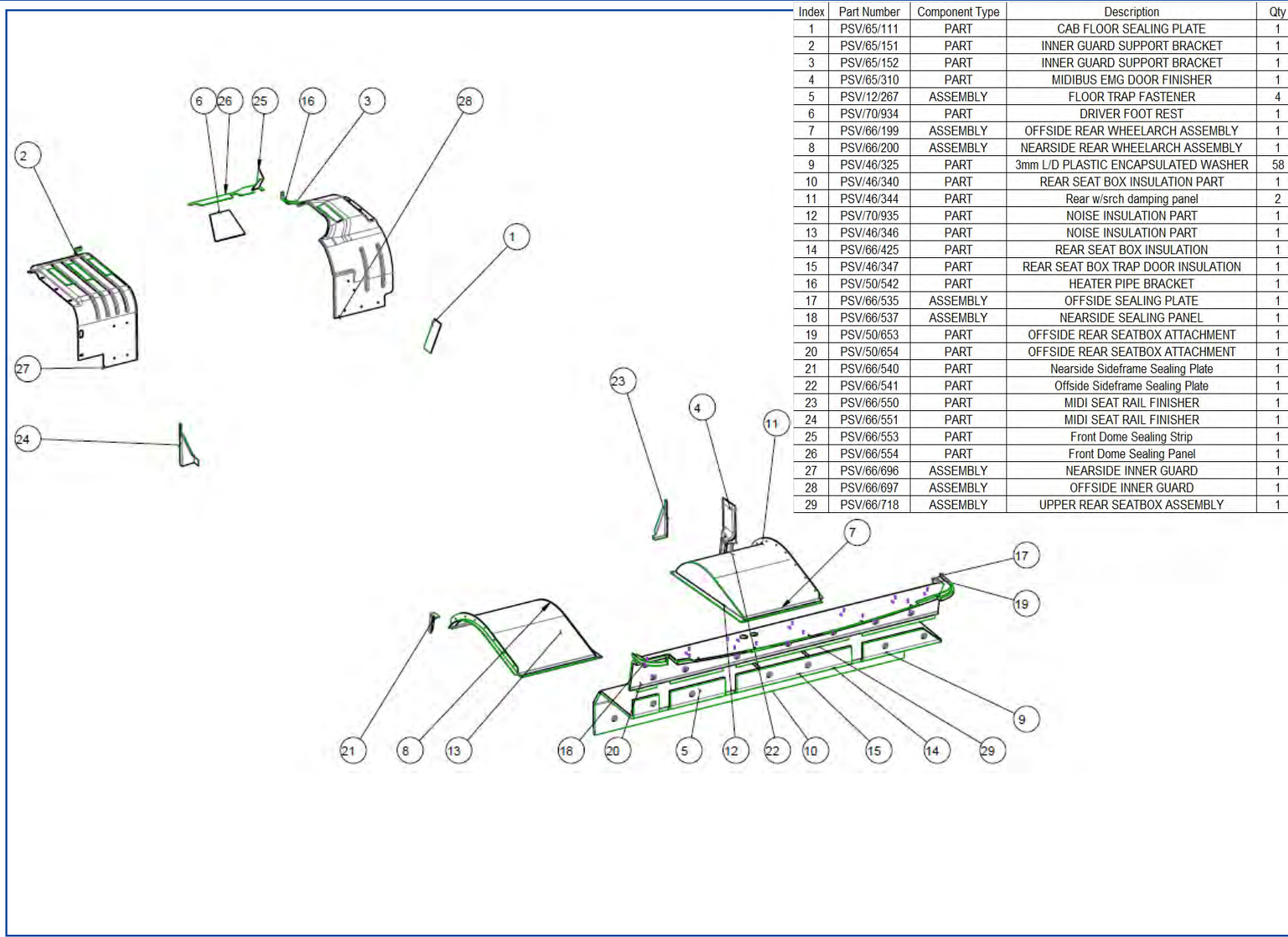
FLOOR - BASIC ASSEMBLY - 9.5

Stock Number	Description	Quantity
PSV/66/534	OFFSIDE SEALING PLATE	1.00
PSV/10/446	DWC HAZARD SW 1526.89.00.00.14	1.00
PSV/66/537	NEARSIDE SEALING PLATE	1.00
PSV/56/102	DWC SWITCH HOLDER 1526-89-00-00-02	8.00
PSV/11/162	S LIGHT&DIPPED BEAM 1526.93.04.0.674.99	1.00
PSV/66/532	NEARSIDE SEALING PLATE	1.00
PSV/11/163	DWC RAMP SW. 1526.93 02 0 971 99	1.00
PSV/66/536	NEARSIDE SEALING PLATE	1.00
PSV/50/653	SEATBOX SUPPORT BRACKET	1.00
PSV/10/966	SMUX SWITCH BLANK COVER	6.00
PSV/50/654	SEATBOX SUPPORT BRACKET	1.00
PSV/02/013	VDO SMUX V2.0 SWITCH BANK (6 SWITCHES)	1.00
PSV/66/540	N/S SIDEFAME SEALING ANGLE	1.00
PSV/02/364	SMUX OVERHEAD CONSOLE SWITCHES	1.00
PSV/66/541	OS SIDEFAME SEALING ANGLE	1.00
PSV/62/895	EMERGENCY TOGGLE SWITCH	1.00
PSV/66/549	STEERING BOOT CLAMP PLATE	1.00
PSV/11/168	EMERGENCY SWITCH COVER	1.00
PSV/66/550	MIDI SEAT RAIL FINISHER	1.00
PSV/64/848	INT - FLAT MIRROR FOR VIEWING MID DOOR	1.00
PSV/66/551	MIDI SEAT RAIL FINISHER	1.00
PSV/66/552	MIDI BRAKE PEDAL FLOOR SUPPORT PLATE	1.00
PSV/66/553	FRONT DOME SEALING STRIP	1.00
PSV/66/554	FRONT DOME SEALING STRIP	1.00
PSV/66/555	NEARSIDE FRONT SPLASH GUARD	1.00
PSV/66/556	OFFSIDE FRONT SPLASH GUARD	1.00
PSV/66/573	CAB DOOR FINISHER - 18-C-37 MID BLUE	1.00
PSV/66/696	NEARSIDE INNER GUARD	1.00
PSV/66/697	OFFSIDE INNER GUARD	1.00
PSV/66/714	GISTA SEALING SECTION - 4610105 (50mm WI	0.60
PSV/64/575	INTERIOR MIRROR	1.00
PSV/64/849	INT FRONT - COAT HOOK AND STRAP	1.00
PSV/11/523	COAT HOOK - DOUBLE	1.00
PSV/45/553	DRIVERS COAT STRAP WITH STUD	1.00
PSV/65/757	3/16 x 3/4 MUDGUARD WASH	1.00
PSV/65/754	5/32x5/8^ L/R DOME POP	3.00
PSV/64/850	FIRE EXTINGUISHER AND ASSOCIATED ITEMS	1.00
PSV/21/048	1lt FIRE EXT. C/W STRAP (SHRINKWRAPPED)	1.00
PSV/66/557	FIRE EXTINGUISHER ATTACHMENT BRACKET	1.00
PSV/64/237	SPREADER PLATE FOR FIRE EXT. BKT	2.00
PSV/11/383	BULBTITE RUBBER SEAL	2.00
PSV/64/851	INT FRONT - DRIVERS SUNBLIND	1.00
PSV/56/582	RADIATOR BULB SEAL	1.10
PSV/11/206	1M SUNBLIND PVC BLACK	1.00
PSV/56/583	TRAP DOOR SEAL/FINISHER	2.00
AE518 13B	Destination Assemblies	1.00
PSV/56/587	WHEELARCH RUBBER SEAL	2.06
PSV/66/815	NBFL DESTINATION EQUIPMENT	1.00
PSV/62/213	NBFL FRONT DEST SUPPORT 20 x 40 RAIL	2.00

W09-00838

FLOOR - BASIC ASSEMBLY - 9.5

Stock Number	Description	Quantity
PSV/56/591	30X10X3MM RUBBER FLOOR SPACER	60.00
PSV/56/599	STEERING SHAFT RUBBER BOOT	1.00
PSV/62/033	SEATRAIL SECTION 40x20 (5.5M)	0.16
PSV/65/158	NBFL FRONT DEST ATTACH ANGLE	4.00
PSV/66/718	MIDIBUS UPPER SEATBOX ASSEMBLY	1.00
PSV/65/290	ALUM. ALLOY SHT.2500x1250x5mm 5251 H22	0.00
PSV/66/405	20mm STUDS 5mm DIA.PLAIN	27.00
PSV/65/159	NBFL FRONT DEST ATTACH PLATE	2.00
PSV/46/325	40MM DIA ENCAP WASHER N6 NYLON HIGH TEMP	27.00
PSV/65/290	ALUM. ALLOY SHT.2500x1250x5mm 5251 H22	0.03
PSV/65/160	NBFL FRONT DEST BOTTOM SUPPORT BRACKET	2.00
PSV/46/341	MIDIBUS UPPER SEATBOX ASSY INSULATION	1.00
PSV/65/290	ALUM. ALLOY SHT.2500x1250x5mm 5251 H22	0.01
PSV/62/786	MOBITECH DESTINATION CABLES 3.5M	2.00
PSV/46/355	FLOOR INSULATION PART	1.00
PSV/62/787	MOBITECH SIDE DESTINATION CABLES 8.5M	1.00
PSV/62/788	MOBITECH REAR DESTINATION CABLES 18.5M	1.00
PSV/62/789	CONTROL UNIT/CONNECTION BOX CABLE - 3M	1.00
PSV/66/531	MIDIBUS REAR SEATBOX SEALING PLATE	1.00
PSV/62/790	FRONT DESTINATION UNIT- NBFL SMARTBLIND	1.00
PSV/62/791	SIDE DESTINATION UNIT- NBFL SMARTBLIND	1.00
PSV/62/792	FRONT/REAR NUMBER DEST UNIT - NBFL SMART	1.00
PSV/62/792	FRONT/REAR NUMBER DEST UNIT - NBFL SMART	1.00
PSV/62/793	DESTINATION UNIT CONNECTION BOX	1.00
PSV/62/794	DESTINATION CONTROL UNIT - NBFL	1.00
PSV/51/256	DESTINATION T-SLOT FIX BRACKET ASSEMBLY	4.00
PSV/64/412	DESTINATION T-SLOT FIXING BRACKET	1.00
PSV/51/256	DESTINATION T-SLOT FIX BRACKET ASSEMBLY	4.00
PSV/64/412	DESTINATION T-SLOT FIXING BRACKET	1.00
PSV/64/417	NBFL SIDE DESTINATION ATTACHMENT BRACKET	2.00
PSV/51/289	NBFL SIDE DESTINATION BOX ATTACH BRACKET	4.00
AE518 13C	Radio Equipment Assemblies	1.00
AE518 13D	Cab Door and Assault Screen Assemblies	1.00
AE518 13E	CCTV Camera System Assemblies	1.00
PSV/64/847	NBFL CCTV ASSEMBLY - 16 CAMERAS	1.00
PSV/65/273	CAMERA SYSTEM COMMISSIONING - NBFL	1.00
PSV/65/657	LOOK CAMERA CABLE	230.00
PSV/65/677	12mm BLANKING GROMMET	2.00



Index	Part Number	Component Type	Description	Qty
1	PSV/65/111	PART	CAB FLOOR SEALING PLATE	1
2	PSV/65/151	PART	INNER GUARD SUPPORT BRACKET	1
3	PSV/65/152	PART	INNER GUARD SUPPORT BRACKET	1
4	PSV/65/310	PART	MIDIBUS EMG DOOR FINISHER	1
5	PSV/12/267	ASSEMBLY	FLOOR TRAP FASTENER	4
6	PSV/70/934	PART	DRIVER FOOT REST	1
7	PSV/66/199	ASSEMBLY	OFFSIDE REAR WHEELARCH ASSEMBLY	1
8	PSV/66/200	ASSEMBLY	NEARSIDE REAR WHEELARCH ASSEMBLY	1
9	PSV/46/325	PART	3mm L/D PLASTIC ENCAPSULATED WASHER	58
10	PSV/46/340	PART	REAR SEAT BOX INSULATION PART	1
11	PSV/46/344	PART	Rear w/srch damping panel	2
12	PSV/70/935	PART	NOISE INSULATION PART	1
13	PSV/46/346	PART	NOISE INSULATION PART	1
14	PSV/66/425	PART	REAR SEAT BOX INSULATION	1
15	PSV/46/347	PART	REAR SEAT BOX TRAP DOOR INSULATION	1
16	PSV/50/542	PART	HEATER PIPE BRACKET	1
17	PSV/66/535	ASSEMBLY	OFFSIDE SEALING PLATE	1
18	PSV/66/537	ASSEMBLY	NEARSIDE SEALING PANEL	1
19	PSV/50/653	PART	OFFSIDE REAR SEATBOX ATTACHMENT	1
20	PSV/50/654	PART	OFFSIDE REAR SEATBOX ATTACHMENT	1
21	PSV/66/540	PART	Nearside Sideframe Sealing Plate	1
22	PSV/66/541	PART	Offside Sideframe Sealing Plate	1
23	PSV/66/550	PART	MIDI SEAT RAIL FINISHER	1
24	PSV/66/551	PART	MIDI SEAT RAIL FINISHER	1
25	PSV/66/553	PART	Front Dome Sealing Strip	1
26	PSV/66/554	PART	Front Dome Sealing Panel	1
27	PSV/66/696	ASSEMBLY	NEARSIDE INNER GUARD	1
28	PSV/66/697	ASSEMBLY	OFFSIDE INNER GUARD	1
29	PSV/66/718	ASSEMBLY	UPPER REAR SEATBOX ASSEMBLY	1

W09-00838
FLOOR - BASIC ASSEMBLY 9.5M

W10-00331

EXTERIOR FRONT - W LOGO INSERTS

Stock Number	Description	Quantity
PSV/56/059	MIDIBUS W MID PART CHROME PLATED ABS	1.00
PSV/56/057	MIDIBUS W N/SIDE PART CHROME PLATED ABS	1.00
PSV/56/058	MIDIBUS W OFFSIDE PART CHROME PLATED ABS	1.00

W10-00331

EXTERIOR FRONT - DOME LOGO INSERTS



PSV/56/058
O/S MIDIBUS W

PSV/56/059
MID MIDIBUS W

PSV/56/057
N/S MIDIBUS W

W10-00333

MIDIBUS MINI EXTERIOR FRONT

Stock Number	Description	Quantity
PSV/56/164	MIDI FRONT LIGHT BEZEL BRACKET	2.00
PSV/66/740	STEEL ZINTEC 2438x1219x1.2mm	0.00
PSV/56/165	LIGHT BEZEL ATTACHMENT BRACKET	2.00
PSV/66/740	STEEL ZINTEC 2438x1219x1.2mm	0.00
PSV/56/135	IMIDI FA LOWER BUMPER PANEL	1.00
PSV/56/050	N/S LIGHT BEZEL	1.00
PSV/56/051	O/S LIGHT BEZEL	1.00
PSV/65/292	IMIDI FRONT DOME	1.00
PSV/65/293	FRONT DOME STIFFENER	1.00
PSV/13/369	NYLON WASHER FOR CAPTIVE FASTENER	12.00
PSV/12/999	STAINLESS STEEL RECEPTABLE RIVET TYPE	8.00
PSV/41/313	SOUTHCO FAST LEAD SCREW - MEDIUM SIZE	4.00
PSV/41/315	SOUTHCO FAST LEAD SCREW - LARGE SIZE	8.00
PSV/21/144	SOUTHCO STAINLESS STEEL RECEPTACLE	4.00
PSV/66/312	FRONT BUMPER ATTACHMENT BRACKET	1.00

W10-00333
EXTERIOR FRONT - FIBREGLASS

PSV/56/134
FRONT DOME



PSV/56/051
O/S HEADLIGHT BEZEL

PSV/56/135
LOWER BUMPER

PSV/56/050
N/S HEADLIGHT BEZEL

W10-00335

EXTERIOR FRONT - HEADLIGHTS

Stock Number	Description	Quantity
PSV/125/020	LED MARKER LIGHT - WHITE 24V	2.00
PSV/07/323	MAIN AND DIP BEAM MOUNTING FRAME	4.00
PSV/125/021	DIPPED BEAM HEADLAMP - HEAVY DUTY BULB	2.00
PSV/42/438	HEADLIGHT ADJUSTING SCREW KIT	1.00
PSV/07/048	MAIN BEAM HEADLAMP - HEAVY DUTY BULB	2.00
PSV/42/438	HEADLIGHT ADJUSTING SCREW KIT	1.00
PSV/07/335	LED FRONT INDICATOR/POSITIONAL LIGHT	2.00
PSV/13/892	DIPPED HEADLAMP MOUNTING PLATE	1.00
PSV/13/893	MAIN BEAM HEADLAMP MOUNTING PLATE	2.00
PSV/13/380	DIPPED HEADLAMP MOUNTING PLATE	1.00
PSV/13/894	MIDI MARKER LIGHT BUSH N/S	1.00
PSV/56/033	MIDI MARKER LIGHT BUSH O/S	1.00

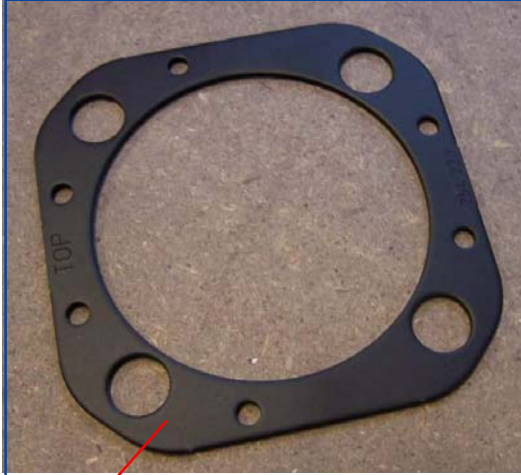
W10-00335

EXTERIOR FRONT - HEADLIGHTS



W10-00335

EXTERIOR FRONT - HEADLIGHTS



PSV/07/323
Main / dipped beam mounting frame



PSV/42/438
Headlight adjusting screw kit



PSV/13/892
Dipped lamp mounting plate



PSV/13/893
Main lamp mounting plate



PSV/13/380
Headlamp mounting plate

W10-00343

EXTERIOR FRONT - MIDIBUS WIPER SYS ASSY

Stock Number	Description	Quantity
PSV/56/015	MIDIBUS WIPER LINKAGE ASSEMBLY INC MOTOR	1.00
PSV/55/012	WIPER MOTOR	1.00
PSV/59/593	MIDIBUS WIPER LINKAGE ASSEMBLY	1.00
PSV/56/004	600MM WIPER ARM	1.00
PSV/59/595	750MM WIPER ARM	1.00
PSV/66/851	800MM WIPER BLADE	2.00
PSV/59/586	ASSESSORIES PARTS BAG	1.00
PSV/45/480	INTG WIPER SPINDLE SEALING PLATE	2.00

PSV/66/789
EXTERIOR FRONT - WIPERS



PSV/55/012
Wiper Motor

PSV/56/004
600mm Wiper Arm
PSV/66/851
Wiper Blade 800mm

PSV/59/595
750mm Wiper Arm
PSV/66/851
Wiper Blade 800mm



W10-00344

EXT. FRONT - MIDIBUS WASHER BOTTLE ASSY

Stock Number	Description	Quantity
PSV/56/023	MIDIBUS WASHER BOTTLE ASSEMBLY	1.00
PSV/56/021	MIDIBUS REMOTE FILL HOSE 3M LENGTH	1.00
PSV/59/573	NON-RETURN VALVE	2.00
PSV/59/574	4MM ID PIPE FOR WASHER SYSTEM	12.00
PSV/66/558	MIDIBUS REMOTE FILL BRACKET	1.00
PSV/60/160	M6x20 CAD ENG.BOLT	6.00
PSV/43/704	1/4in.FLAT STEEL WASHER	18.00
PSV/60/161	M6 SELF FINISH NYLOC NUT	6.00
PSV/63/288	32mm NORMA PIPE CLIP	2.00
PSV/65/769	1/4x3/4^ PAN TAPTITE	4.00
PSV/56/167	M8x20 DURLOCK BOLT PATCHED	2.00
PSV/43/767	CONDUIT ATTACHMENT BRACKET	1.00

W10-00349

EXTERIOR FRONT - MIRRORS

Stock Number	Description	Quantity
PSV/125/036	MIRROR HEAD	2.00
PSV/54/026	REPLACEMENT MIRROR LENSE (UNHEATED)	1.00
PSV/13/038	MIRROR ARM O/S	2.00
PSV/13/229	MIRROR ARM MOUNTING BRACKET	2.00

W10-00349

EXTERIOR FRONT - MIRRORS

PSV/13/038
Mirror Arm

PSV/125/036
Mirror Head

PSV/13/038
Mirror Arm



W10-00379

MIDI MODULAR FRONT BASIC ASSEMBLY

Stock Number	Description	Quantity
PSV/65/157	MULTITONE BUZZER BRACKET	1.00
PSV/65/283	ALUM ANGLE 100x50x3mm (5M)	0.04
PSV/65/033	MIDI FRONT DOME SUPPORT BRACKET	1.00
PSV/60/160	M6x20 CAD ENG.BOLT	11.00
PSV/56/167	M8x20 DURLOCK BOLT PATCHED	1.00
PSV/60/161	M6 SELF FINISH NYLOC NUT	11.00
PSV/43/704	1/4in.FLAT STEEL WASHER	34.00
PSV/60/895	1/4x1-3/8^ L/R MONOBOLT	3.00
PSV/65/769	1/4x3/4^ PAN TAPTITE	12.00
PSV/44/978	NORMA RSGUI 28/20 CLIP	10.00
PSV/49/954	PILLAR PACKER TOGGLE - M10	1.00
PSV/50/542	HEATER PIPE BRACKET	12.00

W11-00098

EXT. REAR - SINGLE TONE REVERSE BLEEPER

Stock Number	Description	Quantity
PSV/11/004	REVERSE BLEEPER - SINGLE TONE	1.00
PSV/19/753	TWO WAY WATER PROOF RECEPTACLE	1.00
PSV/19/776	LOCK WEDGE RECEPTACLE	1.00
PSV/19/733	1mm PIN CRIMP	2.00
PSV/43/667	M8 CAD.PLATED NYLOC NUT	1.00
PSV/43/704	1/4in.FLAT STEEL WASHER	1.00

W11-00360

EXTERIOR REAR - COMMON PARTS

Stock Number	Description	Quantity
PSV/65/153	EXT REAR - LED NUMBER PLATE LIGHT GROUND	2.00
PSV/37/888	ALUM SHT .2500x1250x2.5MM	0.00
PSV/125/033	RED CIRCULAR REFLECTOR 60MM	2.00
PSV/19/753	TWO WAY WATER PROOF RECEPTACLE	2.00
PSV/19/733	1mm PIN CRIMP	4.00
PSV/19/776	LOCK WEDGE RECEPTACLE	2.00
PSV/07/299	LED MARKER LIGHT - RED 24V	2.00
PSV/65/693	LED STOP/TAIL LIGHT 24V, 30mm DEEP	2.00
PSV/07/396	LED REVERSE LIGHT 24V, 30mm DEEP	2.00
PSV/125/027	LED CENTRE BRAKE LIGHT	1.00
PSV/125/105	LED FOG LIGHT 24V, 30mm DEEP	1.00
PSV/56/067	LED NUMBER PLATE LIGHT	2.00
PSV/07/394	HELLA SINGLE LED REAR INDICATOR LAMP	2.00

W11-00360

EXTERIOR REAR - COMMON PARTS



W11-00361

EXTERIOR REAR - FIBREGLASS PARTS

Stock Number	Description	Quantity
PSV/56/062	EXTERIOR REAR DOME	1.00
PSV/11/230	EXT REAR MID BUMPER PANEL 4 CYL ENGINE	1.00

W11-00361

EXTERIOR REAR - FIBREGLASS PARTS



PSV/56/062
Rear Dome

PSV/11/230
Mid Bumper

W11-00371

EXTERIOR REAR - BOOT DOOR

Stock Number	Description	Quantity
PSV/56/177	DOOR RETAINER SLAM LOCK	2.00
PSV/56/117	G8-18 GAS STRUT	2.00
PSV/19/753	TWO WAY WATER PROOF RECEPTACLE	1.00
PSV/19/733	1mm PIN CRIMP	2.00
PSV/19/776	LOCK WEDGE RECEPTACLE	1.00
PSV/125/094	DOOR MICROSWITCH - ADJUSTABLE ARM LENGTH	1.00
PSV/43/436	M8 x 1.25 x 55 HEX BOLT DIN 931 8.8	2.00
PSV/43/437	M8 x 1.25 x 40 HEX BOLT DIN 931 8.8	2.00
PSV/43/667	M8 CAD.PLATED NYLOC NUT	4.00
PSV/56/156	REAR SERVICE DOOR KIT - MIDI	1.00
PSV/56/176	MIDI ENGINE DOOR SKIN	1.00
PSV/56/116	ENGINE DOOR FRAME LONGITUDINAL	1.00
PSV/56/126	ENGINE DOOR TUBE	2.00
PSV/56/122	ENGINE DOOR TUBE	1.00
PSV/56/115	ENGINE DOOR TUBE	2.00
PSV/56/125	ENGINE DOOR TUBE	2.00
PSV/56/127	ENGINE DOOR TUBE	2.00
PSV/56/118	ENGINE DOOR TUBE	1.00
PSV/56/116	1in.SQUARE PLASTIC END CAPS	2.00
PSV/56/176	BOOT DOOR GRAB HANDLE	1.00
PSV/56/175	STREETCAR ENGINE DOOR STRIKER PLATE	2.00

W11-00395

EXTERIOR REAR - SERVICE HATCH DOOR

Stock Number	Description	Quantity
PSV/54/063	ALUM ACCESSORY TOGGLE M8	2.00
PSV/11/449	CONCEALED FLUSH HINGE S.S	2.00
PSV/125/107	LEVER LATCH - BLACK (FLUSH FITTING)	1.00
PSV/56/167	M8x20 DURLOCK BOLT PATCHED	2.00
PSV/56/169	M4 NYLOC NUT	8.00
PSV/56/064	ALLOY SERVIE HATCH DOOR	1.00
PSV/56/170	SERVICE DOOR HINGE BRACKET	2.00
PSV/56/168	PILLAR HINGE ATTACHMENT BRACKET	1.00
PSV/56/171	ERECTION BKT HINGE ATTACHMENT BRACKET	1.00
PSV/56/585	RUBBER BUNG DOOR STOP	3.00

W11-00395

EXTERIOR REAR - SERVICE HATCH DOOR

PSV/12/976
Concealed Hinge



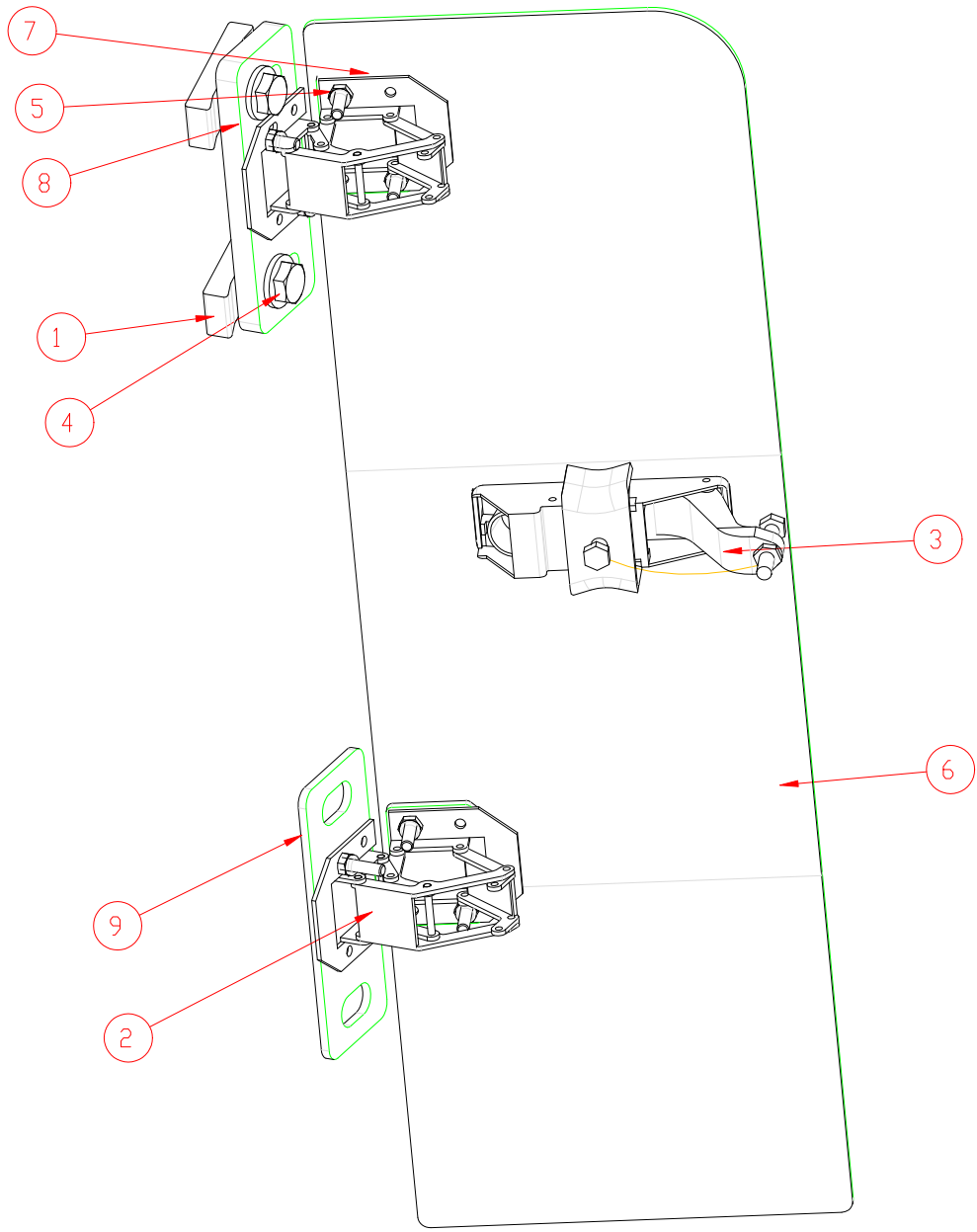
PSV/125/107
Black Lever Latch

PSV/12/976
Concealed Hinge

PSV/56/064
Service Hatch Door



Index	Part No.	Description	Qty
1	PSV/54/063	M8 TOGGLE	2
2	PSV/12/976	CONCEALED HINGE	2
3	PSV/125/107	LEVER LATCH - BLACK (FLUSH FITTING)	1
4	PSV/56/167	M8x20 VERBUS RIBBED BOLT	2
5	PSV/56/169		8
6	PSV/56/064	COOLANT FILL DOOR	1
7	PSV/56/170	Hinge Attachment Bracket	2
8	PSV/56/168	Pillar Hinge Attachment Bracket	1
9	PSV/56/171	ERECTION BRACKET HINGE ATTACHMENT BKT	1



W11-00395
EXTERIOR REAR - SERVICE DOOR HATCH

W12-00426

SHEETMETAL - BMAC - LED INDICATORS

Stock Number	Description	Quantity
PSV/19/753	TWO WAY WATER PROOF RECEPTACLE	2.00
PSV/19/763	2 WAY WATERPROOF PLUG	2.00
PSV/19/733	1mm PIN CRIMP	4.00
PSV/19/735	1mm SOCKET CRIMP	4.00
PSV/19/776	LOCK WEDGE RECEPTACLE	2.00
PSV/19/778	LOCK WEDGE PLUG W2S	2.00
PSV/125/025	LED SIDE INDICATOR (CAT 6)	2.00
PSV/64/723	RUBBER WASHER- 10MMOD, 5MMID - 1MM THICK	4.00

W12-00426

SHEETMETAL - LED SIDE INDICATORS



PSV/125/025 LED Side Indicator



W12-00427

EXTERIOR FRONT SIDE OUTLINE MARKER LAMPS

Stock Number	Description	Quantity
PSV/19/753	TWO WAY WATER PROOF RECEPTACLE	8.00
PSV/19/763	2 WAY WATERPROOF PLUG	8.00
PSV/19/733	1mm PIN CRIMP	16.00
PSV/19/735	1mm SOCKET CRIMP	16.00
PSV/19/776	LOCK WEDGE RECEPTACLE	8.00
PSV/19/778	LOCK WEDGE PLUG W2S	8.00
PSV/125/026	LED SIDE MARKER LIGHT, OVAL 24V	8.00
PSV/64/723	RUBBER WASHER- 10MMOD, 5MMID - 1MM THICK	8.00

W12-00427

SHEETMETAL - LED SIDE MARKERS



PSV/125/026 LED Side Markers

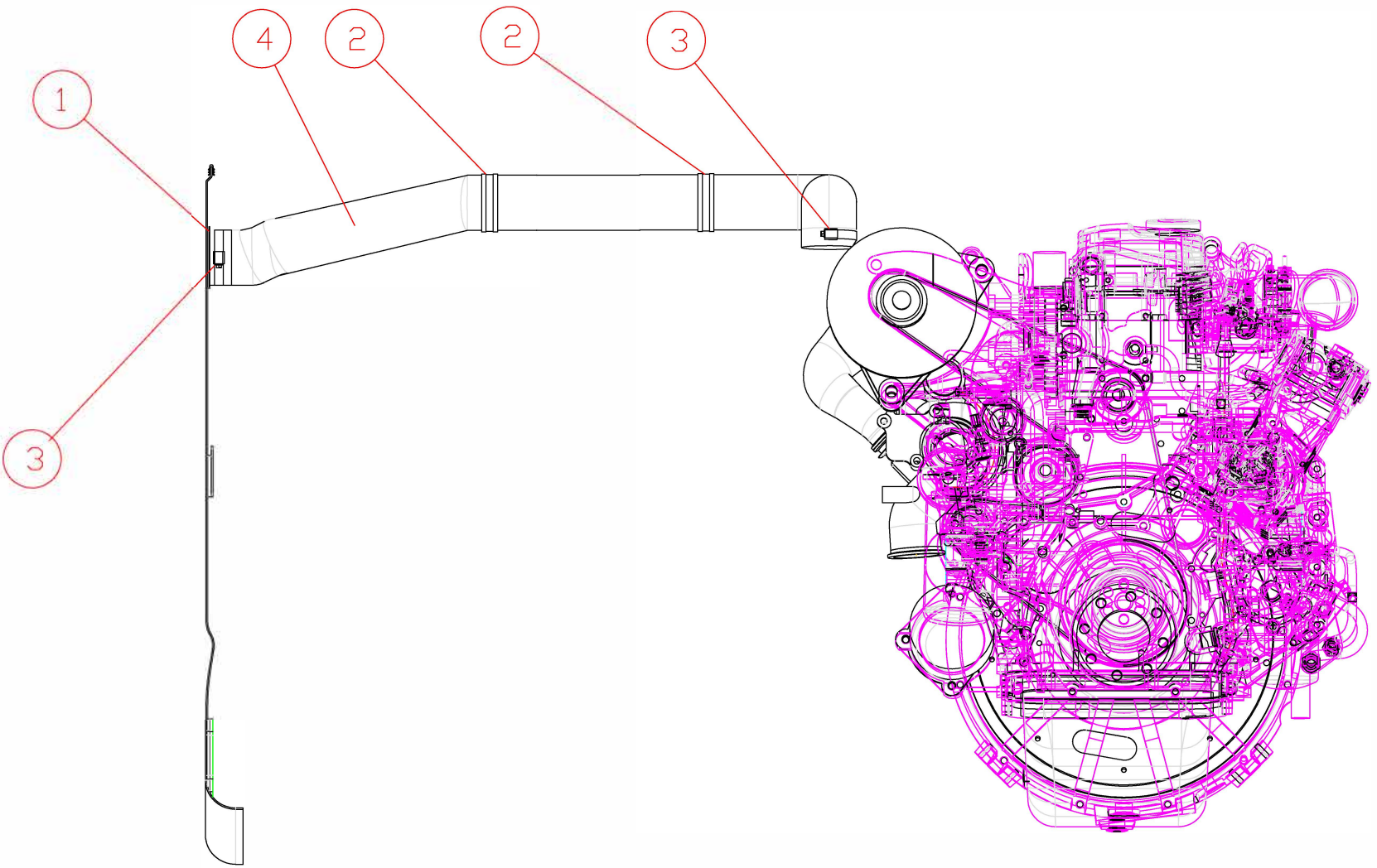


W12-00431

MIDIBUS ALTERNATOR AIR INTAKE PARTS

Stock Number	Description	Quantity
PSV/62/276	ADH SIKA 205 CLEAN 1 LITRE	0.01
PSV/65/266	ADH SIKA 555 400ML SAUSAGE	0.10
PSV/65/877	3^ FLANGE	1.00
PSV/65/880	76mm PIPE CLIP - RSGU 176/20	2.00
PSV/44/984	70-90mm HOSE CLIP	2.00
PSV/15/881	3^ VACUFLEX HOSING	2.50

Index	Part No.	Description	Qty
1	PSV/65/877	63mm OUTLET PLATE	1
2	PSV/65/880	76mm NORMA RSGUI PIPE CLIP	2
3	PSV/44/984	HOSE CLIP 70-90mm	2
4	PSV/15/881	MIDIBUS AIR INTAKE PIPE 2.5M	1



SHEETMETAL - ALTERNATOR AIR INTAKE PARTS

W12-00431

W12-00436

MIDIBUS AD BLUE COWL PLASTIC TANK

Stock Number	Description	Quantity
PSV/65/051	MIDIBUS ADBLUE COWL	1.00
PSV/13/373	BIG HEAD FASTENER DRAIN S/S	1.00
PSV/65/768	No.8 1/2in.ST PAN	4.00
PSV/54/063	ALUM ACCESSORY TOGGLE M8	2.00
PSV/43/348	M8x20 TORX BUTTON SCREW PATCHED	2.00
PSV/51/144	MIDIBUS ADBLUE COWL ATTACHMENT BRACKET	1.00
PSV/64/752	1/2^O/D NYLON LINE NF50	1.20

W12-00497

SHEETMETAL MIDIBUS 9.5M VARIANT

Stock Number	Description	Quantity
PSV/27/941	MIDIBUS SHEETMETAL FINISHER	1.00
PSV/38/258	MIDI SHEETMETAL CAPPING FINISHER 3.22M	0.98
PSV/65/078	MIDIBUS SHEETMETAL FINISHER	1.00
PSV/65/329	MIDI SHEETMETAL CAPPING FINISHER 5.14M	0.90
PSV/65/079	MIDIBUS SHEETMETAL FINISHER	1.00
PSV/65/328	MIDI SHEETMETAL CAPPING FINISHER 6.72M	0.98
PSV/65/080	MIDIBUS SHEETMETAL FINISHER	1.00
PSV/38/258	MIDI SHEETMETAL CAPPING FINISHER 3.22M	0.20
PSV/65/154	MIDIBUS RAD PANEL SEAL RSM-00011	1.00
PSV/11/383	BULBTITE RUBBER SEAL	2.65
PSV/65/155	MIDIBUS REAR WHEELARCH SEALING RUBBER	2.00
PSV/56/587	WHEELARCH RUBBER SEAL	1.10
PSV/65/016	MIDI HEATER INTAKE PANEL ASSEMBLY	1.00
PSV/65/210	MIDI HEATER INTAKE FRAME PART 1	2.00
PSV/65/211	MIDI HEATER INTAKE FRAME PART 2	1.00
PSV/65/212	MIDI HEATER INTAKE FRAME PART 3	1.00
PSV/65/213	MIDI HEATER INTAKE LOUVRE	5.00
PSV/65/217	MIDI HEATER INTAKE BUG SCREEN ASSEMBLY	1.00
PSV/65/214	MIDI HEATER INTAKE BUG SCREEN	1.00
PSV/65/215	MIDI HEATER INTAKE BUG SCREEN	1.00
PSV/65/216	MIDI HEATER INTAKE BUG SCREEN	1.00
PSV/39/004	EXTERIOR CAPPING MIDI BUS PANEL PART	2.00
PSV/125/107	LEVER LATCH - BLACK (FLUSH FITTING)	3.00
PSV/65/717	M8x20MM TORX CAP SCREW ZINC NICKEL FIN.	38.00
PSV/65/766	M8 SERRATED SPRING WASHER	38.00
PSV/66/565	MIDIBUS RAD SEALING ANGLE	1.00
PSV/66/566	MIDIBUS RAD SEALING ANGLE	1.00
PSV/66/567	MIDIBUS RAD SEALING ANGLE	1.00
PSV/66/568	MIDIBUS RAD SEALING ANGLE	1.00
SHK-00361	MIDIBUS S'METAL KIT 9.5M VARIANT	1.00
PSV/56/155	SIDE SHEETMETAL PANEL - MIDI RAD PANEL A	1.00
PSV/65/201	SIDE SHEETMETAL PANEL - MIDIBUS	1.00
PSV/65/207	SIDE SHEETMETAL PANEL - EGGCRATE	1.00
PSV/13/916	ALUM ACCESSY BALLY RUBBER	0.72
PSV/65/578	EXT PANEL ATTACHMENT BACKING BRACKET	1.00
PSV/65/579	MIDIBUS PANEL ATTACHMENT BRACKET	1.00
PSV/40/786	MIDIBUS SHEETMETAL ATTACHMENT BRACKET	2.00
PSV/66/561	SHEETMETAL - STRENGTNING BRACKET	1.00
PSV/66/562	SHEETMETAL - STRENGTNING BRACKET	1.00
PSV/66/563	SHEETMETAL - STRENGTNING BRACKET	1.00
PSV/66/564	SHEETMETAL - STRENGTNING BRACKET	1.00
PSV/65/218	MIDIBUS MICRO MESH PANEL	1.00
PSV/66/569	SHEETMETAL - STRENGTNING BRACKET	2.00
PSV/66/570	SHEETMETAL - STRENGTNING BRACKET	1.00
PSV/66/571	SHEETMETAL - STRENGTNING BRACKET	1.00
PSV/56/140	SHEETMETAL PANEL ASSEMBLY	1.00
PSV/65/196	SIDE SHEETMETAL PANEL - MIDIBUS	1.00
PSV/65/208	S/METAL PANEL MIDIBUS FUEL DOOR	1.00

W12-00497

SHEETMETAL MIDIBUS 9.5M VARIANT

Stock Number	Description	Quantity
PSV/65/209	S/METAL PANEL MIDIBUS FUEL DOOR SURROUND	1.00
PSV/36/570	S/METAL PANEL MIDIBUS HINGE PLATE	1.00
PSV/13/916	ALUM ACCESSY BALLY RUBBER	1.37
PSV/40/786	MIDIBUS SHEETMETAL ATTACHMENT BRACKET	2.00
PSV/65/580	EXT PANEL ATTACHMENT BACKING BRACKET	2.00
PSV/12/911	CONCEALED HINGE	2.00
PSV/43/663	M8X20 CAD.CSK.MACHINE SCREW	8.00
PSV/43/667	M8 CAD.PLATED NYLOC NUT	8.00
PSV/43/704	1/4in.FLAT STEEL WASHER	8.00
PSV/51/134	HINGE STOPPER BLOCK	2.00
PSV/56/141	SHEETMETAL PANEL ASSEMBLY	2.00
PSV/65/197	SIDE SHEETMETAL PANEL - MIDIBUS	1.00
PSV/13/916	ALUM ACCESSY BALLY RUBBER	1.37
PSV/40/786	MIDIBUS SHEETMETAL ATTACHMENT BRACKET	2.00
PSV/65/580	EXT PANEL ATTACHMENT BACKING BRACKET	2.00
PSV/56/149	SHEETMETAL PANEL ASSEMBLY	1.00
PSV/65/198	SIDE SHEETMETAL PANEL - MIDIBUS	1.00
PSV/13/916	ALUM ACCESSY BALLY RUBBER	1.23
PSV/40/786	MIDIBUS SHEETMETAL ATTACHMENT BRACKET	2.00
PSV/65/580	EXT PANEL ATTACHMENT BACKING BRACKET	1.00
PSV/65/584	MIDIBUS S'METAL SUPPORT BRACKET	1.00
PSV/56/144	SHEETMETAL PANEL ASSEMBLY	1.00
PSV/65/199	SIDE SHEETMETAL PANEL - MIDIBUS	1.00
PSV/13/916	ALUM ACCESSY BALLY RUBBER	1.38
PSV/65/580	EXT PANEL ATTACHMENT BACKING BRACKET	1.00
PSV/65/582	MIDIBUS O/S W/A SUPPORT BRACKET	1.00
PSV/65/585	MIDIBUS S'METAL SUPPORT PLATE DOUBLE	1.00
PSV/65/589	MIDIBUS WHEELARCH STIFFENER	1.00
PSV/56/150	SHEETMETAL PANEL ASSEMBLY	1.00
PSV/65/200	SIDE SHEETMETAL PANEL - MIDIBUS	1.00
PSV/56/174	S/METAL PANEL MIDIBUS ADBLUE DOOR	1.00
PSV/56/172	S/METAL PANEL MIDIBUS ADBLUE DOOR SURROU	1.00
PSV/36/570	S/METAL PANEL MIDIBUS HINGE PLATE	1.00
PSV/13/916	ALUM ACCESSY BALLY RUBBER	1.07
PSV/40/786	MIDIBUS SHEETMETAL ATTACHMENT BRACKET	2.00
PSV/65/580	EXT PANEL ATTACHMENT BACKING BRACKET	2.00
PSV/12/911	CONCEALED HINGE	2.00
PSV/43/663	M8X20 CAD.CSK.MACHINE SCREW	8.00
PSV/43/667	M8 CAD.PLATED NYLOC NUT	8.00
PSV/43/704	1/4in.FLAT STEEL WASHER	8.00
PSV/51/134	HINGE STOPPER BLOCK	2.00
PSV/56/139	SHEETMETAL PANEL ASSEMBLY	1.00
PSV/65/202	SIDE SHEETMETAL PANEL - MIDIBUS	1.00
PSV/13/916	ALUM ACCESSY BALLY RUBBER	1.53
PSV/40/786	MIDIBUS SHEETMETAL ATTACHMENT BRACKET	2.00
PSV/65/580	EXT PANEL ATTACHMENT BACKING BRACKET	1.00
PSV/65/584	MIDIBUS S'METAL SUPPORT BRACKET	1.00
PSV/56/148	SHEETMETAL PANEL ASSEMBLY MIDIBUS	1.00

W12-00497

SHEETMETAL MIDIBUS 9.5M VARIANT

Stock Number	Description	Quantity
PSV/56/142	SHEETMETAL PANEL ASSEMBLY MIDIBUS	1.00
PSV/65/203	SIDE SHEETMETAL PANEL - MIDIBUS	1.00
PSV/13/916	ALUM ACCESSY BALLY RUBBER	0.82
PSV/40/786	MIDIBUS SHEETMETAL ATTACHMENT BRACKET	2.00
PSV/65/584	MIDIBUS S'METAL SUPPORT BRACKET	1.00
PSV/65/580	EXT PANEL ATTACHMENT BACKING BRACKET	1.00
PSV/56/143	SHEETMETAL PANEL ASSEMBLY MIDIBUS	1.00
PSV/65/204	SIDE SHEETMETAL PANEL - MIDIBUS	1.00
PSV/13/916	ALUM ACCESSY BALLY RUBBER	1.37
PSV/65/580	EXT PANEL ATTACHMENT BACKING BRACKET	1.00
PSV/65/583	MIDIBUS N/S WHEELARCH SUPPORT BRACKET	1.00
PSV/65/585	MIDIBUS S'METAL SUPPORT PLATE DOUBLE	1.00
PSV/65/588	MIDIBUS WHEELARCH STIFFENER	1.00
PSV/56/145	SHEETMETAL PANEL ASSEMBLY MIDIBUS	1.00
PSV/65/205	SIDE SHEETMETAL PANEL - MIDIBUS	1.00
PSV/13/916	ALUM ACCESSY BALLY RUBBER	1.07
PSV/40/786	MIDIBUS SHEETMETAL ATTACHMENT BRACKET	2.00
PSV/65/580	EXT PANEL ATTACHMENT BACKING BRACKET	2.00
PSV/56/146	SHEETMETAL PANEL ASSEMBLY MIDIBUS	1.00
PSV/65/206	SIDE SHEETMETAL PANEL - MIDIBUS	1.00
PSV/13/916	ALUM ACCESSY BALLY RUBBER	0.57
PSV/40/786	MIDIBUS SHEETMETAL ATTACHMENT BRACKET	2.00
PSV/65/580	EXT PANEL ATTACHMENT BACKING BRACKET	1.00
PSV/65/584	MIDIBUS S'METAL SUPPORT BRACKET	1.00
PSV/11/378	MIDIBUS PANEL ATTACHMENT BRACKET	9.00
PSV/56/158	MIDIBUS PANEL ATTACHMENT BRACKET	12.00
PSV/56/159	MIDIBUS PANEL ATTACHMENT 1/2 BRACKET	7.00
PSV/56/161	MIDIBUS WHEELARCH S/METAL BRACKET ASSY	4.00
PSV/65/581	MIDIBUS WHEELARACH SHEETMETAL BRACKET	1.00
PSV/43/675	M8 X 20 CLOSED END NUTSERT	2.00
PSV/56/162	MIDIBUS SHEETMETAL ATTACHMENT BRKT ASSY	2.00
PSV/65/586	MIDIBUS SHEETMETAL ATTACHMENT BRACKET	1.00
PSV/43/675	M8 X 20 CLOSED END NUTSERT	1.00
PSV/56/163	MIDIBUS SHEETMETAL ATTACHMENT BRKT ASSY	1.00
PSV/65/587	MIDIBUS SHEETMETAL ATTACHMENT BRACKET	1.00
PSV/43/675	M8 X 20 CLOSED END NUTSERT	1.00
PSV/11/122	MIDIBUS SHEETMETAL ATTACHMENT BRACKET	2.00
PSV/56/0138	SIDE SHEETMETAL PANEL - MIDIBUS ASSY	1.00
PSV/65/219	SIDE SHEETMETAL PANEL - MIDIBUS	1.00
PSV/65/208	S/METAL PANEL MIDIBUS FUEL DOOR	1.00
PSV/65/209	S/METAL PANEL MIDIBUS FUEL DOOR SURROUND	1.00
PSV/36/570	S/METAL PANEL MIDIBUS HINGE PLATE	1.00
PSV/13/916	ALUM ACCESSY BALLY RUBBER	0.72
PSV/65/580	EXT PANEL ATTACHMENT BACKING BRACKET	1.00
PSV/65/584	MIDIBUS S'METAL SUPPORT BRACKET	1.00
PSV/12/911	CONCEALED HINGE	2.00
PSV/43/663	M8X20 CAD.CSK.MACHINE SCREW	8.00
PSV/43/667	M8 CAD.PLATED NYLOC NUT	8.00

W12-00497

SHEETMETAL MIDIBUS 9.5M VARIANT

Stock Number	Description	Quantity
PSV/43/704	1/4in.FLAT STEEL WASHER	8.00
PSV/51/134	HINGE STOPPER BLOCK	2.00
PSV/65/590	MIDI SHEETMETAL BRKT	1.00
PSV/56/137	SIDE SHEETMETAL PANEL - MIDIBUS ASSY	1.00
PSV/65/750	M8 DOME NUT ZINC&NICKEL FINISH DIN 1587	2.00

PSV/70/968

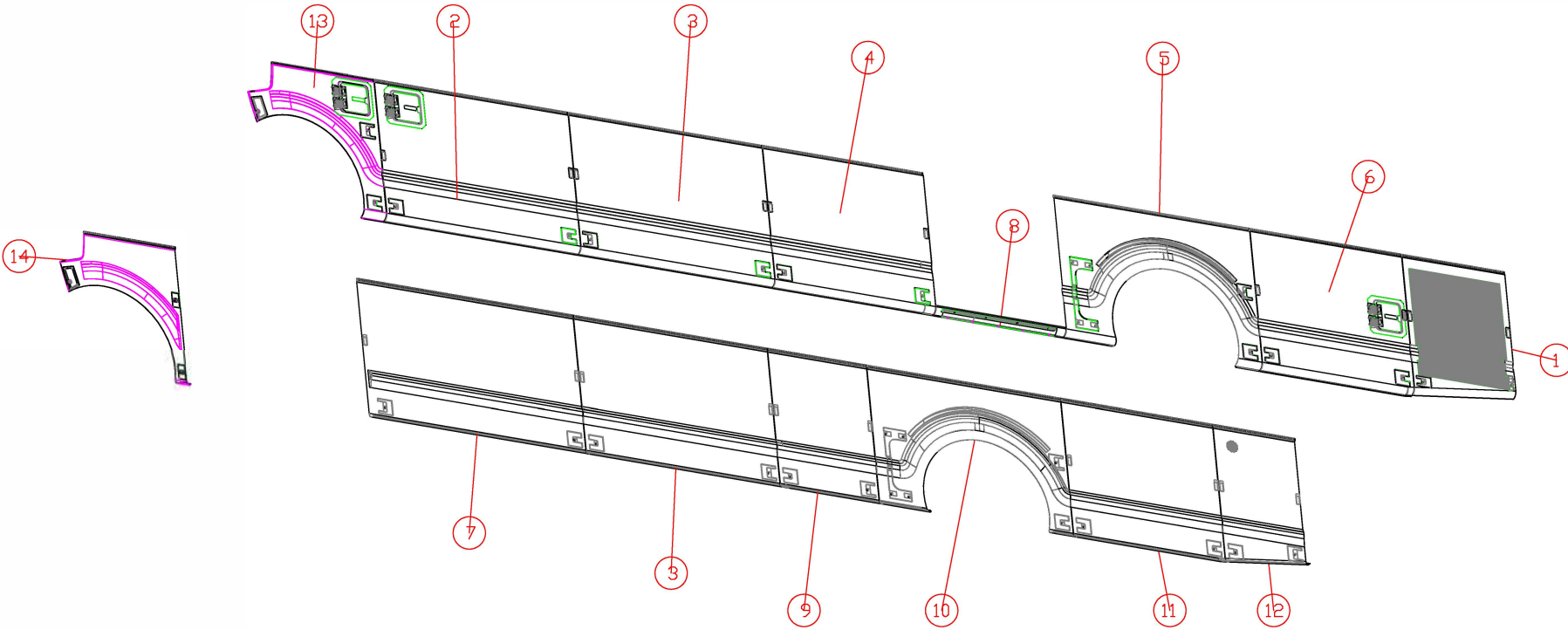


PSV/70/969



PSV/13/916
BALLY RUBBER
BOUGHT PER METRE

Index	Part No.	Description	Qty
1	PSV/56/155	midibus radiator panel	1
2	PSV/56/140	MIDIBUS FUEL TANK PANEL	1
3	PSV/56/141	midibus sheetmetal panel assy	2
4	PSV/56/149	midibus sheetmetal panel assy	1
5	PSV/56/144	midibus sheetmetal panel assy	1
6	PSV/56/150	MIDIBUS SHEETMETAL PANEL ASSY	1
7	PSV/56/139	midibus sheetmetal panel	1
8	PSV/56/148	MIDIBUS EMG DOOR FINISHER	1
9	PSV/56/142	midibus sheetmetal panel assy	1
10	PSV/56/143	midibus ns rear wa panel assy	1
11	PSV/56/145	midibus sheetmetal panel assy	1
12	PSV/56/146	midibus ns rear panel assy	1
13	PSV/56/138	midibus os front w/a panel	1
14	PSV/56/137	midibus front wa panel assy	1



SHEETMETAL - BASIC ASSEMBLY

W12-00497



PSV/11/378



PSV/56/158



PSV/56/159



PSV/56/161



PSV/56/162



PSV/56/163



PSV/11/122



C12-00471

PSV/56/137

PSV/56/139

PSV/56/141

PSV/56/162

PSV/56/163

PSV/56/145

PSV/56/146



PSV/13/916

Anti Vibration Rubber
Sold per Metre

PSV/70/968

PSV/70/969



W12-00497
SHEETMETAL - BASIC ASSEMBLY



PSV/11/378



PSV/56/158



PSV/56/159



PSV/56/161



PSV/56/162



PSV/56/163



PSV/11/122



PSV/56/155

PSV/56/144

PSV/56/149

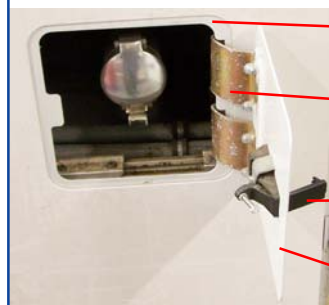
PSV/56/140

PSV/56/150

PSV/56/148

PSV/56/141

PSV/56/138

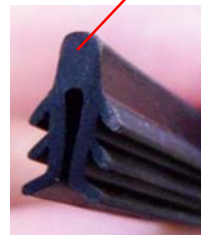


PSV/56/172

PSV/12/911

PSV/12/088

PSV/56/174



PSV/13/916

Anti Vibration Rubber
Sold per Metre

PSV/70/969



PSV/70/968

W12-00497
SHEETMETAL - BASIC ASSEMBLY

W13-00194

INT FRONT - TICKET MACHINE PLUG & SOCKET

Stock Number	Description	Quantity
PSV/42/356	I.E.C OUTLET SOCKET	1.00
PSV/62/853	MULTI POSITION PLUG	1.00

W13-00470

INTERIOR FRONT - DOUBLE LICENSE HOLDER

Stock Number	Description	Quantity
PSV/17/978	LICENCE HOLDER - 2 WAY	1.00

PSV/17/978
Licence Holder



W13-00470
INTERIOR FRONT - DOUBLE LICENSE HOLDER

W13-01003

INTERIOR FRONT - 1M SUNBLIND

Stock Number	Description	Quantity
PSV/56/147	SUNVISOR 1000W x 508H	1.00

PSV/66/808

DUBLIN BUS HANOVER TFT SYSTEM

Stock Number	Description	Quantity
PSV/65/274	TFT SYSTEM ANTENNA c/w 10M CABLE	1.00
PSV/65/652	HANOVER CX302 POWER CABLE 0.3m	4.00
PSV/65/653	HANOVER 24v DOOR INPUT CABLE 0.3m CX300	1.00
PSV/65/654	HANCIS AVC TO ERIC CONTROLLER CABLE 4m	1.00
PSV/65/655	TFT SYSTEM SPEAKER CONT'N CABLE 3m CX301	1.00
PSV/65/656	TFT-REPEATER DVID CABLE 5M	2.00
PSV/65/674	LVDS REPEATER UNIT	1.00
PSV/65/675	MASTER 17" SINGLE SIDE TFT (Lwr)	1.00
PSV/65/676	SLAVE 17" SINGLE SIDE TFT (Uppr)	1.00

W13-01766

INT FRONT - INTEGRAL MOBITECH DEST SIGNS

Stock Number	Description	Quantity
PSV/65/187	MIDIBUS FRONT SCREEN BLACKOUT	1.00
PSV/41/597	DESTINATION & ROUTE BLACKOUT MATERIAL	0.02
PSV/65/188	FRONT DESTINATION BLACKOUT, MIDI MOBITEC	1.00
PSV/41/597	DESTINATION & ROUTE BLACKOUT MATERIAL	0.01
PSV/65/189	SIDE DESTINATION BLACKOUT, MIDI MOBITEC	1.00
PSV/41/597	DESTINATION & ROUTE BLACKOUT MATERIAL	0.02
PSV/65/190	REAR DESTINATION BLACKOUT, MIDI MOBITEC	1.00
PSV/41/597	DESTINATION & ROUTE BLACKOUT MATERIAL	0.02
PSV/65/606	FRONT DESTINATION UNIT,	1.00
PSV/65/607	CONTROL UNIT - MOBITEC	1.00
PSV/65/608	5 WAY CONNECTION BOX	1.00
PSV/65/609	SIDE DESTINATION UNIT - MOBITEC LED	1.00
PSV/65/610	MOBITEC REAR LED SIGN	1.00
PSV/65/611	DESTINATION CABLE 3M TO SUIT MOBITECH L	1.00
PSV/65/612	DESTINATION CABLE TO SUIT MOBITECH LED	1.00
PSV/65/613	DESTINATION CABLE 7.5M FOR MOBITECH LED	1.00
PSV/65/614	DESTINATION CABLE 15M FOR MOBITECH LED	1.00
PSV/45/478	INTEGRAL BODY PART FRONT FRAME DEST BRKT	1.00
PSV/45/479	INTEGRAL BODY PART FRONT FRAME DEST BRKT	1.00
PSV/51/274	MIDIBUS REAR DESTINATION RACKET	2.00
PSV/65/751	M8 OPEN NUTSERT-A9418-28	3.00
PSV/66/574	MIDIBUS REAR DESTINATION BRACKET	1.00
PSV/66/578	MIDI FRONT DEST BRKT MOBITECH UNIT O/S	1.00
PSV/66/579	MIDI FRONT DEST BRKT MOBITECH UNIT N/S	1.00
PSV/66/580	MIDIBUS SIDE DESTINATION BRACKET	1.00
PSV/66/581	MIDIBUS SIDE DESTINATION BRACKET	1.00
PSV/66/582	MIDIBUS REAR DESTINATION BRACKET	2.00

W13-01887

INTERIOR FRONT - MIDIBUS MASTER SWITCH

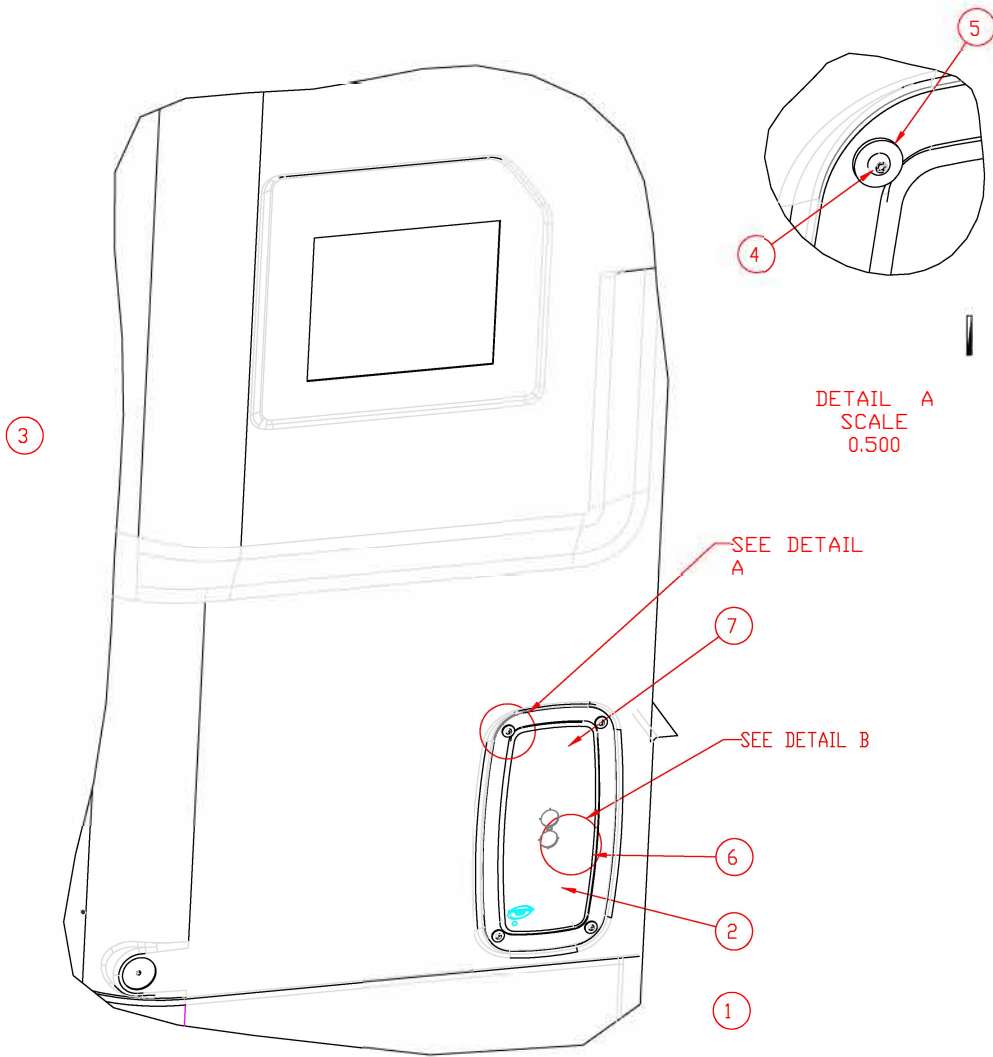
Stock Number	Description	Quantity
PSV/41/665	DWC BATTERY MASTER SW 1526.9301.0.608.99	1.00
PSV/56/102	DWC SWITCH HOLDER 1526-89-00-00-02	1.00

W13-01898

FIRE EXTINGUISHER MIDI DRIVERS PARTITION

Stock Number	Description	Quantity
PSV/65/307	MIDI FIRE EXTINGUISHER ENCLOSURE	1.00
PSV/43/669	M5 x 20 PIN HEX BUTTON SECURITY	4.00
PSV/43/706	M5 FLAT RUBBER WASHER	4.00
PSV/65/780	MIDI FIRE EXTINGUISHER BREAK GLASS	1.00
PSV/21/048	1lt FIRE EXT. C/W STRAP (SHRINKWRAPPED)	1.00

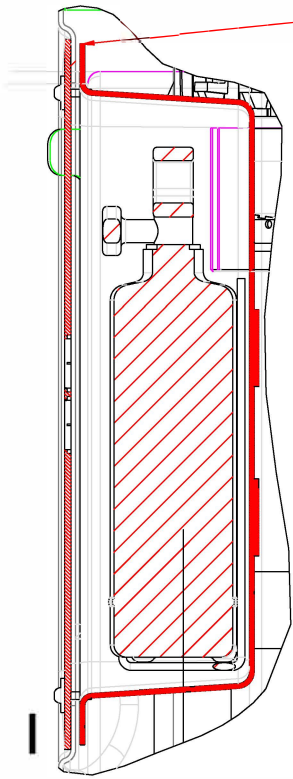
Index	Part Number	Compnt Type	Description	Qty
1	PSV/65/29	ASSEMBLY	IMIDI CAB FLOOR & WHEELARCH OFFSIDE	1
2	PSV/65/307	PART	MIDI FIRE EXTINGUISHER ENCLOSURE	1
3	PSV/65/735	ASSEMBLY	DRIVERS PARTITION FA VARIANT	1
4	PSV/43/669	PART	M5 x 20 PIN HEX BUTTON SECURITY	4
5	PSV/43/706	PART	M5 FLAT RUBBER WASHER	4
6	PSV/65/780	ASSEMBLY	FIRE EXTINGUISHER GLASS - CLEAR	1
7	PSV/21/048	PART	1L FIRE EXTINGUISHER	1
8	W13-01949	ASSEMBLY	MIDIBUS TICKET MACHINE PEDASTAL	1



DETAIL A
SCALE
0.500

SEE DETAIL
A

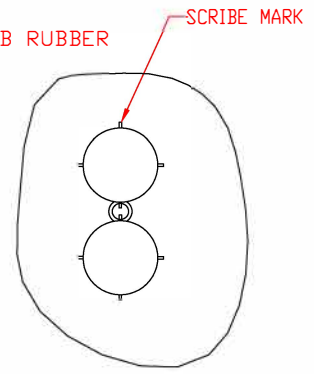
SEE DETAIL
B



BOND ITEM 3 TO THE BACK
OF
ITEM 2

MAKE SUITABLE CLEARANCE

HOLE IN ITEM 1 AND SEAL
EDGE
WITH BULB RUBBER



DETAIL B

8 OFF SCRIBE MARKS (ONE
ARROWED)
TO BE MADE ON INSIDE FACE OF
ITEM 6
SEE W15-00269 FOR CUTTING
DETAILS

SECTION THROUGH
CENTRE
OF FIRE EXTINGUISHER
BOX

NOTE: ITEMS 1 AND 2 ARE NOT PART OF W13-01898
SHOWN ON THIS DRAWING FOR CLARITY OF ASSEMBLY
ONLY

INTERIOR - FIRE EXTINGUISHER - DRIVERS PARTITION

W13-01898

W13-01923

INT FRONT - CAB DOOR NON ASSAULT RAL7015

Stock Number	Description	Quantity
PSV/13/868	CHECK STRAP - 7^ BLACK	1.00
PSV/13/423	CHECK STRAP - STAPLE 2^	2.00
PSV/12/948	CONCEALED DOOR CLOSER	1.00
PSV/65/737	CAB DOOR ASSEMBLY	1.00
PSV/62/276	ADH SIKA 205 CLEAN 1 LITRE	0.25
PSV/62/283	ADH SIKA 555 600ML SAUSAGE	1.00
PSV/65/311	CAB DOOR SKIN RAL 7015 CLASS 2	1.00
PSV/12/947	CAB DOOR LOCK	1.00
PSV/66/432	CAB DOOR BACK PANEL ASSEMBLY	1.00
PSV/43/362	M5x20 CSK SOCKET SCREW Z+B	4.00
PSV/66/430	CAB DOOR BACK PANEL	1.00
PSV/66/433	CAB DOOR BACK PANEL HATCH FRAME	1.00
PSV/66/577	CAB DOOR LOCK SERVICE PANEL RAL 7015	1.00
PSV/66/583	CAB DOOR LOCK GROUND	1.00
PSV/66/599	CAB DOOR PIVOT BOX SECTION	2.00
PSV/53/579	B9TL E4 CAB DOOR LOWER PIVOT BUSHING	1.00
PSV/53/580	B9TL E4 CAB DOOR MID/UPPER PIVOT BUSHING	1.00
PSV/11/375	CAB DOOR BOLT STRIKER	1.00
PSV/66/610	CAB DOOR LOWER HINGE PIN	1.00
PSV/66/609	HINGE PIN BASE PLATE	1.00
PSV/64/480	CAB DOOR HINGE PIN	1.00
PSV/66/616	CAB DOOR HINGE BRACKET ASSEMBLY	1.00
PSV/66/615	CAB DOOR HINGE BRACKET	1.00
PSV/66/624	CAB DOOR HINGE PIN	1.00
PSV/56/595	BLACK NATURAL RUBBER SCREW BUFFERS	2.00
PSV/66/685	STREETLITE CAB DOOR CLOSER WEDGE	1.00

W13-01969

INTERIOR FRONT - SIDE CONSOLE COVER

Stock Number	Description	Quantity
PSV/66/626	MIDIBUS SIDE CONSOLE FACIA PLATE	1.00
PSV/11/421	M6x30 - FLANGE SOCKET BUTTON SCREW - Z+B	4.00

W13-01970

INTERIOR FRONT - MIDI DWP ASSEMBLY

Stock Number	Description	Quantity
PSV/65/625	Drivers Work Place midibus Mistral	1.00
PSV/25/841	VOITH GEAR SELECTOR CAN (DNR VERTICAL)	1.00
PSV/06/339	ENTRANCE DOOR BUTTON - GREEN - ELECTRIC	1.00
PSV/06/338	ENTRANCE DOOR BUTTON - RED - ELECTRIC	1.00
PSV/56/094	DWP STEERING COLUMN 150089000003	1.00
PSV/41/662	DWP LATERAL GUIDE 150089000038	1.00
PSV/56/095	DWP STEERING WHEEL 150089000039	1.00
PSV/10/007	DWP LEFT HAND STALK 15215610003	1.00
PSV/56/097	DWP STEERING COLUMN COVER RHS	1.00
PSV/56/096	DWP STEERING COLUMN COVER LHS	1.00
PSV/56/114	DWC KNEELING SW 1526.93.02.0.669.99	1.00
PSV/56/112	DWC FERRYLIFT SW 1526.93.03.0.476.99	1.00
PSV/10/912	DWC IGNITION SW 1526.93.01.0.687.99	1.00
PSV/11/160	DWC ENG START 1526.93.00.0.410.99	1.00
PSV/10/446	DWC HAZARD SW 1526.89.00.00.14	1.00
PSV/10/993	DWC REAR FOG SW 1526.93.00.0.942.99	1.00
PSV/56/107	DWC REVERSE BLPR 1526.93.00.0.512.99	1.00
PSV/56/102	DWC SWITCH HOLDER 1526-89-00-00-02	8.00
PSV/65/617	DWC EYEBALL PIPE LHS 45MM	1.00
PSV/65/618	DWC EYEBALL PIPE RHS 45MM	1.00
PSV/11/162	S LIGHT&DIPPED BEAM 1526.93.04.0.674.99	1.00
PSV/65/619	STEERING COLUMN COVER ATTACHMENT BRKT LH	1.00
PSV/65/620	STEERING COLUMN COVER ATTACHMENT BRKT LH	1.00
PSV/41/666	DWC IGN HOLE PLUG	1.00
PSV/41/667	DWC IGN HOLE PLUG RETAINER	1.00
PSV/56/093	DWC STEERING WHEEL NUT	1.00
PSV/65/621	DWC PNEUMATIC TUBING 1500.89000011	1.00
PSV/65/622	DWC SINGLE AIR FITTING 1500.89000013	1.00
PSV/65/623	DWC DUAL AIR FITTING 1500.890000**	1.00
PSV/65/624	DWC LATERAL SUPPORT BRKT 1500.89000080	1.00
PSV/56/090	Wrightbus Instrument Cluster Module-5	1.00
PSV/65/699	MIDIBUS DRIVERS WORKPLACE LOOM	1.00
PSV/65/710	M6x12 CAD ENG.BOLT	11.00
PSV/60/160	M6x20 CAD ENG.BOLT	2.00
PSV/43/342	M8x25 CAD ENG.BOLT	3.00
PSV/62/954	M8x30 CAD ENG.BOLT	4.00
PSV/65/036	M6x20 - FLANGE SOCKET BUTTON SCREW - Z+C	4.00
PSV/43/667	M8 CAD.PLATED NYLOC NUT	8.00
PSV/43/704	1/4in.FLAT STEEL WASHER	13.00
PSV/63/052	5/16IN.FLAT STEEL WASHER	15.00
PSV/39/514	^CH9207 45` REDUCER	2.00
PSV/56/089	3" AIR VENT - FULLY ADJUSTABLE	2.00
PSV/44/980	NORMA RSGUI 35/20 CLIP	1.00
PSV/63/280	NORMA RSGUI 22mm CLIP	4.00
PSV/65/876	32-50mm JUBILEE CLIP	2.00
PSV/63/287	19mm NORMA HOSE CLIP	1.00
PSV/44/981	16mm NORMA PIPE CLIP	1.00
PSV/66/359	MIDIBUS DWP UPPER SHELL	1.00

W13-01970

INTERIOR FRONT - MIDI DWP ASSEMBLY

Stock Number	Description	Quantity
PSV/66/366	MIDIBUS DWP UPPER INNER SHELL	1.00
PSV/66/367	MIDIBUS DWP UPPER OUTER SHELL	1.00
PSV/56/098	MIDIBUS DWP LOWER SHELL	1.00
PSV/66/368	MIDIBUS DWP LOWER OUTER SHELL	1.00
PSV/66/369	MIDIBUS DWP LOWER INNER SHELL	1.00
PSV/41/663	DWC MASTER SW 1526.93.00.0.604.99	1.00
PSV/65/616	DWC CAB LIGHT SW 1526.93.00.0.504.99	1.00
PSV/11/161	DWC INT LIGHT SW 1526.93.00.1.565.99	1.00
PSV/62/895	EMERGENCY TOGGLE SWITCH	1.00
PSV/11/168	EMERGENCY SWITCH COVER	1.00
PSV/56/102	DWC SWITCH HOLDER 1526-89-00-00-02	4.00
PSV/64/929	DWC BPS RESET SW. 1526.93.00.0.804.99	1.00
PSV/27/104	3/2 DIRECTIONAL CONTROL VALVE	1.00
PSV/65/228	MALE STUD M12 6MM PUSH IN	3.00
PSV/47/802	STEERING WHEEL 'W' CENTRE MIDIBUS	1.00
PSV/61/053	MIDI STEERING COLUMN COVER	1.00
PSV/65/227	MIDI DWP 9 WAY BRKT	1.00
PSV/66/605	OBD CONNECTOR BRKT MIDIBUS	1.00

W13-02036

INTERIOR FRONT - TICKET PED ASSEMBLY

Stock Number	Description	Quantity
PSV/66/600	MIDIBUS PEDASTAL TUBE ASSY	1.00
PSV/66/584	MIDIBUS PEDASTAL LOCK PLATE	1.00
PSV/66/585	MIDIBUS PEDASTAL LOCK CLOSURE PLATE	1.00
PSV/66/586	MIDIBUS PEDASTAL SUPPORT FOOT	1.00
PSV/66/587	MIDIBUS PEDASTAL LOCK CLOSURE PLATE 2	1.00
PSV/66/601	MIDIBUS PEDASTAL SUPPORT TUBE	1.00
PSV/66/602	MIDIBUS PEDASTAL SUPPORT FOOT	1.00
PSV/66/603	MIDIBUS PEDASTAL WEB SUPPORT	2.00
PSV/66/604	MIDIBUS PEDASTAL TOP "MISTRAL"	1.00
PSV/65/714	M10x35 CSK BOLT ZINC PLATED ALLEN KEY HD	7.00
PSV/65/759	3/8^ FLAT STEEL WASHER	28.00

W13-02051

INTERIOR FRONT - GRP MINI GREY RAL 7015

Stock Number	Description	Quantity
PSV/65/161	HINGE BONDING PLATE	1.00
PSV/62/312	ALUM SHT.2500x1250x2MM (14g.)	0.02
PSV/65/162	1500 X 50 X 2MM ALLOY STRIP	1.00
PSV/62/312	ALUM SHT.2500x1250x2MM (14g.)	0.03
PSV/65/163	390 x 30 LOCKER BOX DOOR BONDING PLATE	1.00
PSV/65/289	ALUM SHT.2500x1250x1.5mm	0.00
PSV/37/582	MEDIUM STRENGTH VELCRO 250 SERIES- 9.14M	2.20
PSV/65/299	FRONT BULKHEAD GREY RAL7015	1.00
PSV/65/300	DRIVERS OVERHEAD LOCKER GREY RAL7015	1.00
PSV/65/301	DRIVER OVERHEAD LOCKER DOOR GREY RAL7015	1.00
PSV/65/302	DOOR HEAD GREY RAL7015	1.00
PSV/65/303	DOOR HEAD DOOR GREY RAL7015	1.00
PSV/65/316	O/S LOWER PILLAR CAPPING	1.00
PSV/65/317	N/S LOWER A PILLAR D CAPPING	1.00
PSV/65/320	MIDI N/S A PILLAR CAPPING GREY RAL 7015	1.00
PSV/65/321	MIDI O/S A PILLAR CAPPING GREY RAL 7015	1.00
PSV/65/322	N/S LOWER PILLAR CAPPING FINISHER	1.00
PSV/65/324	FRONT BULKHEAD ACCESS DOOR GREY RAL7015	1.00
PSV/65/597	HINGE - STAINLESS STEEL 50x38mm	3.00
PSV/65/597	HINGE - STAINLESS STEEL 50x38mm	2.00
PSV/65/600	102 x 76MM BUTT HINGE	3.00
PSV/125/107	LEVER LATCH - BLACK (FLUSH FITTING)	2.00
PSV/12/092	LEVER LATCH - LOCKING TYPE (WITH KEYS)	3.00
PSV/12/092	LEVER LATCH - LOCKING TYPE (WITH KEYS)	2.00
PSV/41/285	FAST LEAD RETAINER	6.00
PSV/41/315	SOUTHCO FAST LEAD SCREW - LARGE SIZE	6.00
PSV/21/144	SOUTHCO STAINLESS STEEL RECEPTACLE	6.00
PSV/45/550	MIDIBUS DASH GAITOR BLACK	1.00
PSV/66/575	INTERIOR FRONT HINGE GROUND	2.00
PSV/66/576	INTERIOR FRONT HINGE GROUND	3.00
PSV/66/591	MIDI COVE ATTACHMENT ANGLE DRIVER LOCKER	1.00
PSV/66/592	MIDI DRIVER LOCKER ATTACHMENT BRACKET	2.00
PSV/66/593	MIDI DRIVER LOCKER FLOOR PLATE	1.00
PSV/66/594	MIDI RAD COVE SUPPORT FOR DRIVER LOCKER	1.00
PSV/66/595	MIDIBUS FRONT HINGE PACKER	3.00
PSV/51/286	MIDIBUS FRONT HINGE BRACKET	3.00
PSV/66/596	MIDI DOOR HEAD ATTCHMENT ANGLE	1.00
PSV/66/597	MIDI DOOR HEAD ATTACHMENT ANGLE	2.00
PSV/66/629	INTERIOR MIRROR GLASS	1.00

PSV/66/818

INTERIOR - HANDRAILS - B9TL/CUS-02143

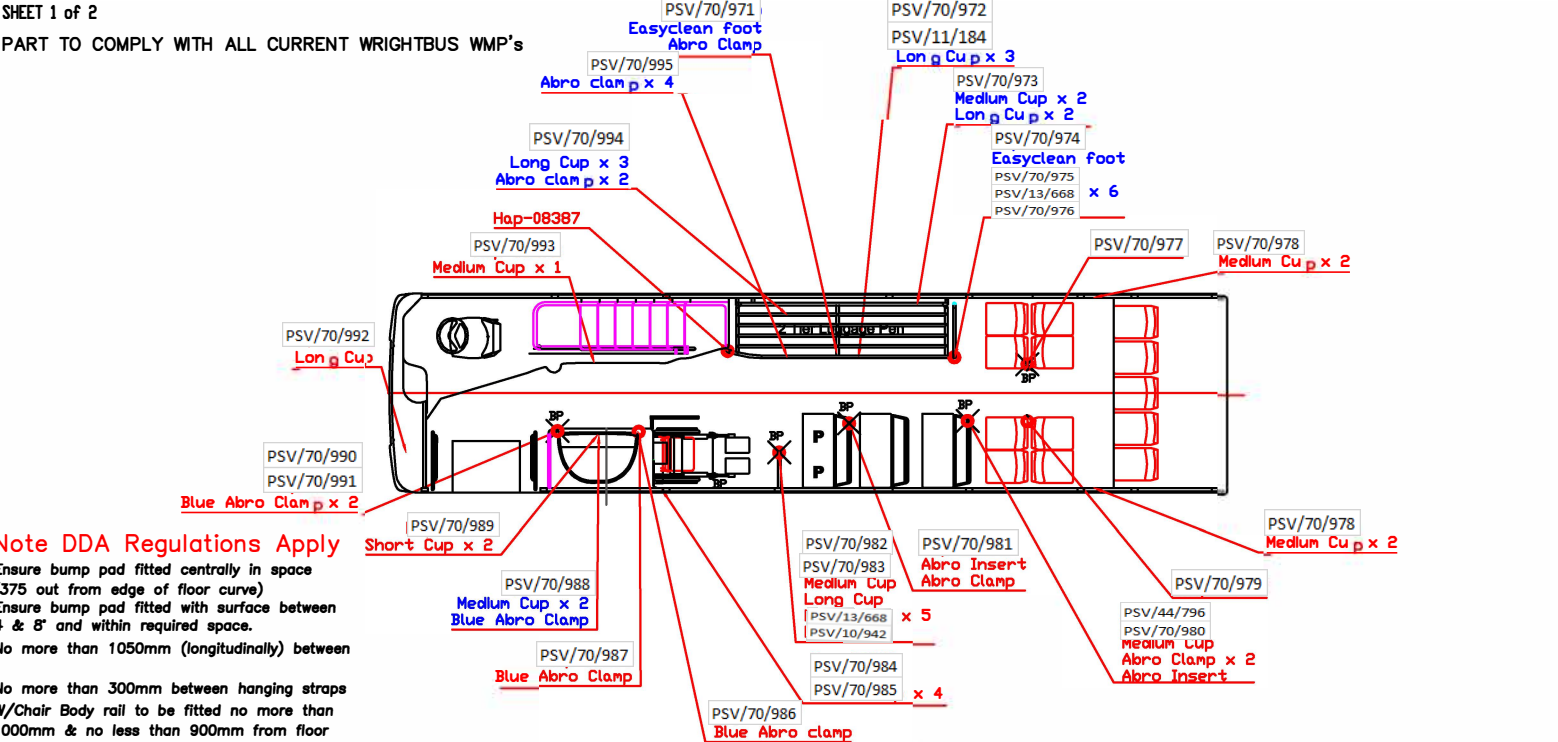
Stock Number	Description	Quantity
PSV/11/144	STANCHION CUPS MEDIUM: LARGE DIA FOR L/D	14.00
PSV/11/107	STANCHION CUPS LARGE: LARGE DIA FOR L/D	11.00
PSV/66/607	THREADED INSERT PLATE FOR USE WITH NYLON	4.00
PSV/65/742	M4x50 BUTTOM MONO DRIVE 4 MACH' SCREW SS	8.00
PSV/65/814	NYLON INSERT C/W 'O' RING STRAIGHT EDGE	2.00
PSV/12/963	HAPPICH 276mm LONG 60mm Dia BUMP PAD	2.00
PSV/11/187	BUMP PAD FINISHER TO SUIT 276mm PAD	2.00
PSV/54/063	ALUM ACCESSORY TOGGLE M8 FOR L/D	20.00
PSV/66/428	DOOR BRACE FLOOR STUD	3.00
PSV/65/672	SPEAKER CABLE FOR W'CHAIR BP	15.00
PSV/62/856	SPEAKER CABLE FOR L/D BP	35.00
PSV/42/317	PRE INS. TERMINALS FOR L/D BP	16.00
PSV/12/002	BELL PUSH GREY/RED BUTTON FOR L/D	6.00
PSV/12/006	PLANT ON BELL PUSH - GREY/BLUE-W/CHAIR	1.00
PSV/65/800	BELL PUSH YELLOW/RED BUTTON FOR L/D	1.00
PSV/65/802	HANDRAILS - KIT TO SUIT B9TL	1.00
PSV/65/811	UPPER FRONT BULKHEAD HANDRAIL	1.00
PSV/65/812	UPPER FRONT BULKHEAD HANDRAIL END	1.00
PSV/65/820	BODYSIDE STAIRCASE RAIL	1.00
PSV/65/810	HANDRAIL ELBOW FOR DOUBLEDECK	2.00
PSV/65/819	VIDEO BOX TO ROOF HANDRAIL	1.00
PSV/65/822	PULPIT TO ROOF RAIL - EURO IV DOUBLEDECK	1.00
PSV/65/824	1620 STRAIGHT HANDRAIL (NOT REINFORCED)	1.00
PSV/65/821	STAIRCASE HANDPOLE - EURO IV DOUBLEDECK	1.00
PSV/65/826	STAIR RAIL SUPPORT BAR	1.00
PSV/65/816	Stair to inter floor pole attach plate	1.00
PSV/65/817	BRACKET GLASS CLAMP TO STAIR RAIL	1.00
PSV/10/942	FLAT BACK GLASS CLAMP	1.00
PSV/65/813	TEE CLAMP FOR 35mm TUBE (DEANS)	1.00
PSV/65/823	PULPIT HANDPOLE - EURO IV DOUBLEDECK	1.00
PSV/65/825	PULPIT TO ROOF POLE	1.00
PSV/65/827	U/D 891mm CURVED HANDRAIL	4.00
PSV/65/828	U/D N/S 891mm CURVED HANDRAIL C/W BP	6.00
PSV/65/809	DD UPPER DECK H/POLE SOCKET - 1023 NYLON	12.00
PSV/44/770	35mm ABRO T CLAMP C/W W LOGO - YELLOW	18.00
PSV/11/185	NYLON INSERT C/W ^O^ RING	12.00
PSV/65/806	ABRO CLAMP INSERT	10.00
PSV/65/840	UPPER DECK MONITOR SUPPORT POLE	1.00
PSV/11/144	STANCHION CUPS MEDIUM: LARGE DIA FOR U/D	5.00
PSV/11/107	STANCHION CUPS LARGE: LARGE DIA FOR U/D	4.00
PSV/54/063	ALUM ACCESSORY TOGGLE M8 FOR U/D	26.00
PSV/62/856	SPEAKER CABLE FOR U/D BP	30.00
PSV/42/317	PRE INS. TERMINALS FOR U/D BP	14.00
PSV/53/696	PVC GREY CENTRE INFILL 3.7M	5.00
PSV/12/002	BELL PUSH GREY/RED BUTTON FOR U/D	7.00
PSV/56/590	HANDPOLE GROMMET GREY RUBBER 35MM ID	3.00
PSV/66/606	STAR UPPER DECK TOP ATTACMENT PLATE	1.00
PSV/66/608	LOOK UPPER DECK ATTACHMENT BRACKET	1.00

PSV/66/818

INTERIOR - HANDRAILS - B9TL/CUS-02143

Stock Number	Description	Quantity
PSV/65/803	HANDRAILS - KIT TO SUIT L/D B9TL	1.00
PSV/65/830	1270mm DASH RAIL	1.00
PSV/65/829	STRINGER RAIL TO SUIT DUBLIN BUS	1.00
PSV/65/832	570mm CURVED HANDRAIL C/W BP	1.00
PSV/65/815	400mm CURVED HANDRAIL	3.00
PSV/65/833	570mm CURVED HANDRAIL	1.00
PSV/65/838	1139mm N/S CURVED HANDRAIL C/W BP	1.00
PSV/65/831	1204mm L/D N/S CURVED HANDRAIL	2.00
PSV/65/835	W/C BAY HORIZONTAL RAIL (W/C USER LEVEL)	1.00
PSV/65/836	STANDEE HORIZONTAL D-RAIL	1.00
PSV/65/837	1020mm N/S WHEELARCH HANDRAIL	1.00
PSV/44/770	35mm ABRO T CLAMP C/W W LOGO - YELLOW	4.00
PSV/65/806	ABRO CLAMP INSERT	3.00
PSV/65/818	ENT. DOOR CURVED STRUCTURAL HANDRAIL	1.00
PSV/65/839	LOWER DECK MONITOR HANDPOLE	1.00
PSV/65/841	35mm ABRO T CLAMP C/W W LOGO - BLUE	4.00
PSV/65/842	STAIRCASE PARTITION POLE	1.00
PSV/65/845	HORIZONTAL SAFETY RAIL - RD SEAT	1.00
PSV/65/846	N/S WHEELARCH VERTICAL HANDRAIL	1.00
PSV/65/847	N/S WHEELARCH VERTICAL HANDRAIL C/W BP	1.00
PSV/65/848	FRONT W'ARCH TICKET EQUIP POLE	1.00
PSV/13/668	CURVED BACK GLASS CL	5.00
PSV/10/942	FLAT BACK GLASS CLAMP	1.00
PSV/65/834	W'CHAIR BAY PARTITION	1.00
PSV/65/844	HANDSTOP RAIL	1.00
PSV/65/850	REAR SEATBOX PLANT ON ARMREST	1.00
PSV/44/779	STANCHION CUPS SHORT LARGE DIA	2.00
PSV/66/393	PARTITION PANEL,FORMICA LILAC DUST GLOSS	1.00
PSV/66/394	PARTITION PANEL-FORMICA LILAC DUST GLOSS	1.00
PSV/65/804	HANDRAILS - LUGG PEN KIT TO SUIT B9TL	1.00
PSV/44/770	35mm ABRO T CLAMP C/W W LOGO - YELLOW	7.00
PSV/65/808	STANCHION EASY CLEAN FOOT (rf-fl) YELLO	2.00
PSV/66/446	LUGG PEN WINDOW PROTECTION RAIL	1.00
PSV/66/445	O/S LUGGAGE PEN SHELF	1.00
PSV/13/668	CURVED BACK GLASS CL	6.00
PSV/66/447	LUGGAGE PEN FLOOR RAIL	1.00
PSV/11/184	35mm BLACK PLASTIC END CAP	1.00
PSV/66/448	LUGGAGE PEN FRONT RAIL	1.00
PSV/65/843	LUGGAGE PEN VERTICAL STAY	1.00
PSV/65/849	LUGG PEN END PARTITION	1.00
PSV/65/841	35mm ABRO T CLAMP C/W W LOGO - BLUE	1.00
PSV/66/449	FRONT WHEELARCH LUGGAGE PEN	1.00
PSV/65/807	DETACHABLE FOOT - L TYPE - YELLOW 1023	1.00
PSV/44/765	35mm BLACK HAND STOP	6.00
PSV/66/691	HANDRAIL TRACK END CAP - GREY RAL 7042	4.00
PSV/65/049	MOSS SCREW CAPS - OSPREY	4.00

PART TO COMPLY WITH ALL CURRENT WRIGHTBUS WMP's

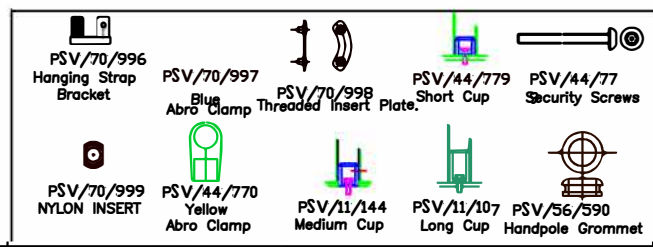


Note DDA Regulations Apply

Ensure bump pad fitted centrally in space (375 out from edge of floor curve)
 Ensure bump pad fitted with surface between 4 & 8" and within required space.
 No more than 1050mm (longitudinally) between
 No more than 300mm between hanging straps
 W/Chair Body rail to be fitted no more than 1000mm & no less than 900mm from floor
 All handrails to have 45mm clearance all round
 JOB No AC159-173 (15 JOBS)
 DUBLIN BUS - VOLVO B9TL 10.6M

Seat Type: Ardee Service Seats
 Moquette: Camira FCL769
 Handrail Coating: Nylon Coated
 Customer Drawing No: CUS-02143
 U/Deck Handrail Kit: HAK-01014
 L/Deck Handrail Kit: HAK-01027
 Luggage Pen Kit: HAK-01029
 Bell Pushes: Stanchion Grey/Red (Braille type), W/Chair Grey/Blue

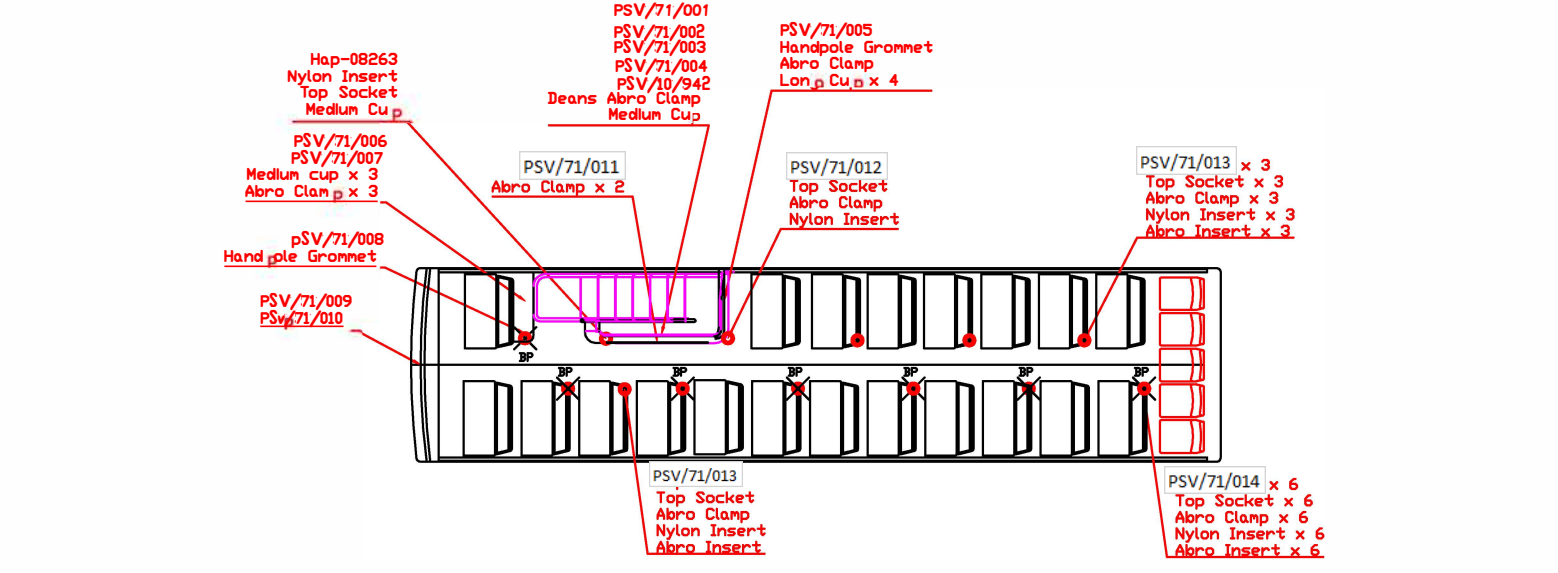
Handrail Colour: Yellow RAL 1023
 Handrail Finish: S/Steel tube



REV	BY	DATE	DETAILS	CHANGE NO.	DO NOT SCALE	DESCRIPTION	Dublin Bus Handrail Layout
1							

This drawing remains the property of Wrightbus Ltd and shall not be copied or reproduced in any way without the prior written permission of the company. Unless stamped 'Controlled Document' it is the responsibility of the holder to ensure that this drawing is the latest issue.

PART TO COMPLY WITH ALL CURRENT WRIGHTBUS WMP's

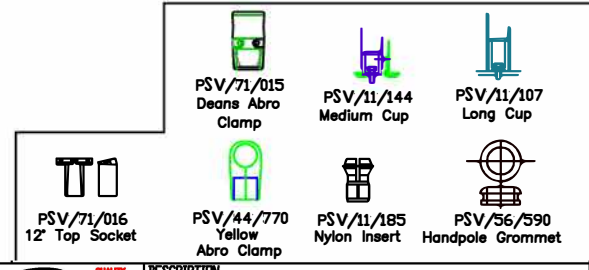


Note DDA Regulations Apply

No more than 1050mm (longitudinally) between handpoles
 All Bell Pushes on the top deck must be no higher than 1200mm from floor
 All handrails to have 45mm clearance all round
 JOB No AC159-173 (15 JOBS)
 DUBLIN BUS - VOLVO B9TL 10.6M

Seat Type: Ardee Service Seats
 Moquette: Camira FCL769
 Handrail Coating: Nylon Coated
 Customer Drawing No: CUS-02143
 U/Deck Handrail Kit: HAK-01014
 L/Deck Handrail Kit: HAK-01027
 Luggage Pen Kit: HAK-01029
 Bell Pushes: Stanchion Grey/Red (Braille type), W/Chair Grey/Blue

Handrail Colour: Yellow RAL 1023
 Handrail Finish: S/Steel tube



REV	BY	DATE	DETAILS	CHANGE NO.	DO NOT SCALE	DESCRIPTION	Dublin Bus Handrail Layout
1							

This drawing remains the property of Wrightbus Ltd and shall not be copied or reproduced in any way without the prior written permission of the company. Unless stamped 'Controlled Document' it is the responsibility of the holder to ensure that this drawing is the latest issue.

W14-03024

INTERIOR - CAPPINGS MIDI 9.5M

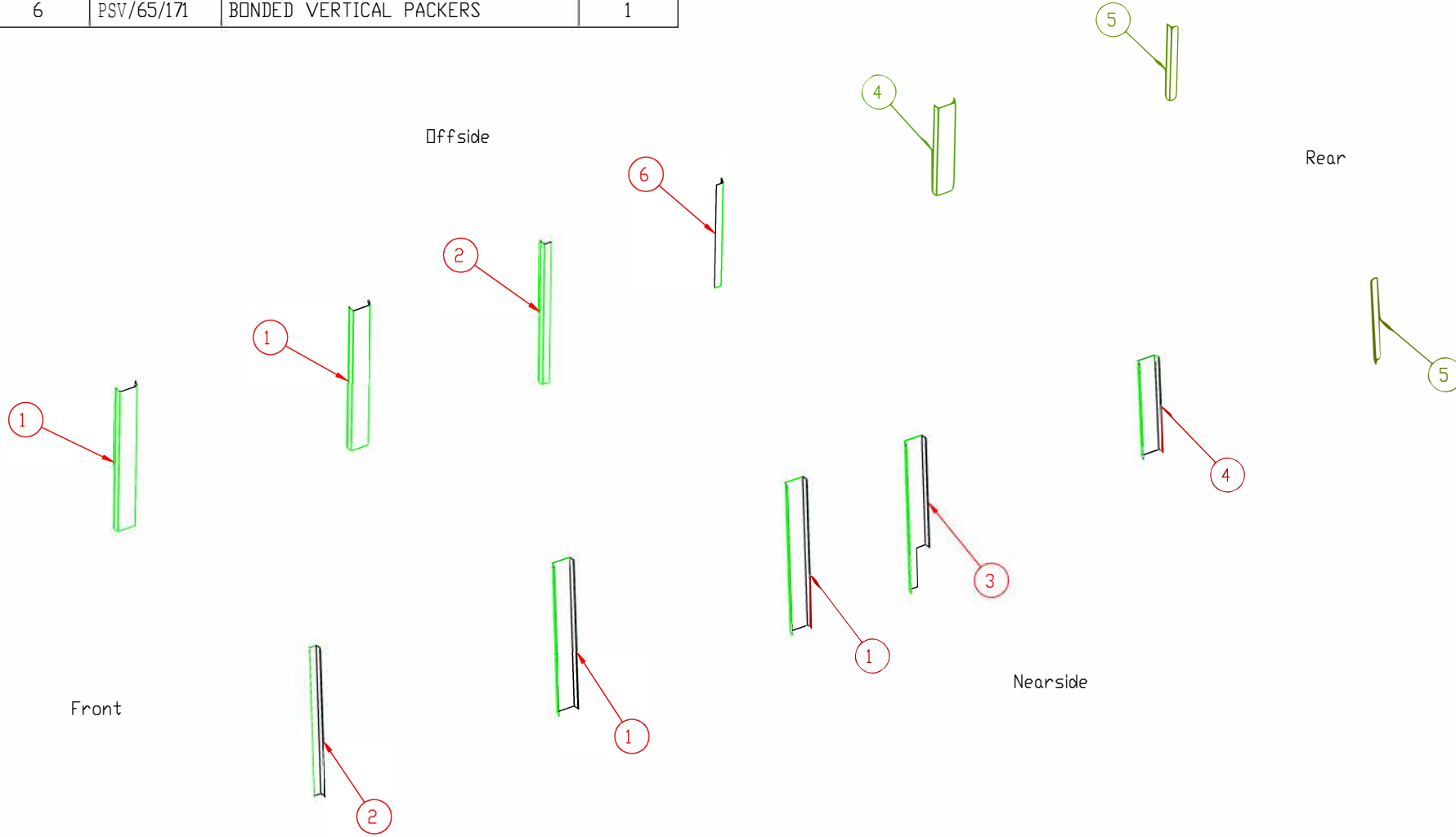
Stock Number	Description	Quantity
PSV/65/166	BONDED VERTICAL PACKER	4.00
PSV/65/288	ALUM SHT.2500x1250x1.2mm(18G)	0.06
PSV/65/167	BONDED VERTICAL PACKER	2.00
PSV/65/288	ALUM SHT.2500x1250x1.2mm(18G)	0.02
PSV/65/168	BONDED VERTICAL PACKER	1.00
PSV/65/288	ALUM SHT.2500x1250x1.2mm(18G)	0.06
PSV/65/169	BONDED VERTICAL PACKER	2.00
PSV/65/288	ALUM SHT.2500x1250x1.2mm(18G)	0.04
PSV/65/170	BONDED VERTICAL PACKER	2.00
PSV/65/288	ALUM SHT.2500x1250x1.2mm(18G)	0.01
PSV/65/171	BONDED VERTICAL PACKER	1.00
PSV/65/288	ALUM SHT.2500x1250x1.2mm(18G)	0.02
PSV/65/260	ADH VHB SURFACE CLEANER 1000ML	0.30
PSV/62/276	ADH SIKA 205 CLEAN 1 LITRE	0.20
PSV/62/281	SIKA 552 WHITE 600ML SAUSAGE	1.00
PSV/62/294	TAPE 3M 4655F 1.5MMx19MMx33M GREY	0.55
PSV/65/272	P235 TAPE 5mm x 19mm BLACK	6.00
PSV/66/659	TOP HORIZONTAL CAPP. BASE KIT, MIDI 9.5M	1.00
PSV/66/633	HORIZONTAL WINDOW CAPPING BASE	1.00
PSV/66/634	HORIZONTAL WINDOW CAPPING BASE	4.00
PSV/66/635	HORIZONTAL WINDOW CAPPING BASE	1.00
PSV/66/636	HORIZONTAL WINDOW CAPPING BASE	1.00
PSV/66/637	HORIZONTAL WINDOW CAPPING BASE	1.00
PSV/66/638	HORIZONTAL WINDOW CAPPING BASE	1.00
PSV/66/639	HORIZONTAL WINDOW CAPPING BASE	1.00
PSV/66/640	HORIZONTAL WINDOW CAPPING BASE	1.00
PSV/66/660	TOP HORIZONTAL CAPP. FACE KIT, MIDI 9.5M	1.00
PSV/66/641	HORIZONTAL CAPPING FACE	1.00
PSV/66/642	HORIZONTAL CAPPING FACE	1.00
PSV/66/661	BOTTOM HORIZONTAL CAPP. BASE KIT, MIDI	1.00
PSV/66/634	HORIZONTAL WINDOW CAPPING BASE	2.00
PSV/66/635	HORIZONTAL WINDOW CAPPING BASE	1.00
PSV/66/638	HORIZONTAL WINDOW CAPPING BASE	1.00
PSV/66/643	HORIZONTAL WINDOW CAPPING BASE	1.00
PSV/66/644	HORIZONTAL WINDOW CAPPING BASE	1.00
PSV/66/652	HORIZONTAL WINDOW CAPPING BASE	2.00
PSV/66/653	HORIZONTAL WINDOW CAPPING BASE	1.00
PSV/66/654	HORIZONTAL WINDOW CAPPING BASE	1.00
PSV/66/662	BOTTOM HORIZONTAL CAPP. FACE KIT, MIDI	1.00
PSV/66/645	HORIZONTAL CAPPING FACE	2.00
PSV/66/646	HORIZONTAL CAPPING FACE	1.00
PSV/66/647	HORIZONTAL CAPPING FACE	1.00
PSV/66/663	VERTICAL CAPPING KIT, MIDI 9.5M	1.00
PSV/66/648	VERTICAL CAPPING	6.00
PSV/66/649	VERTICAL CAPPING	1.00
PSV/66/650	VERTICAL CAPPING	1.00
PSV/66/651	VERTICAL CAPPING	1.00

W14-03024

INTERIOR - CAPPINGS MIDI 9.5M

Stock Number	Description	Quantity
PSV/66/655	VERTICAL CAPPING	1.00
PSV/66/656	VERTICAL CAPPING	1.00
PSV/66/657	VERTICAL CAPPING	1.00
PSV/66/658	VERTICAL CAPPING	1.00
PSV/65/050	25.4mm DIA HEAD PINE TREE CLIP -7mm HOLE	18.00

Index	Part No.	Description	Qty
1	PSV/65/166	BONDED VERTICAL PACKERS	4
2	PSV/65/167	BONDED VERTICAL PACKERS	2
3	PSV/65/168	BONDED VERTICAL PACKERS	1
4	PSV/65/169	BONDED VERTICAL PACKERS	2
5	PSV/65/170	BONDED VERTICAL PACKERS	2
6	PSV/65/171	BONDED VERTICAL PACKERS	1



INTERIOR - CAPPINGS

W14-03024

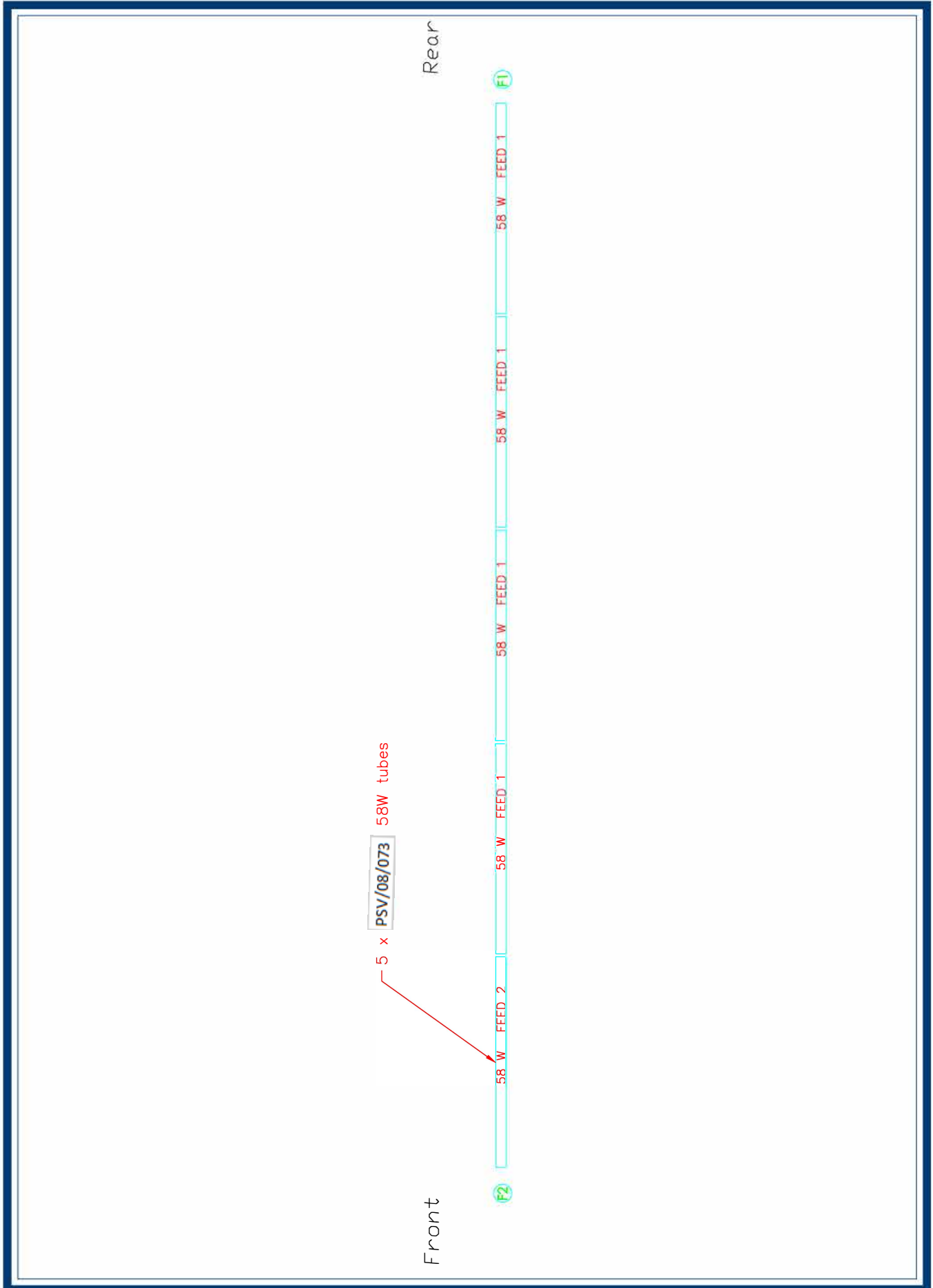
W14-03076

INTERIOR - SALOON LIGHT, MIDI 9.5M TUBES

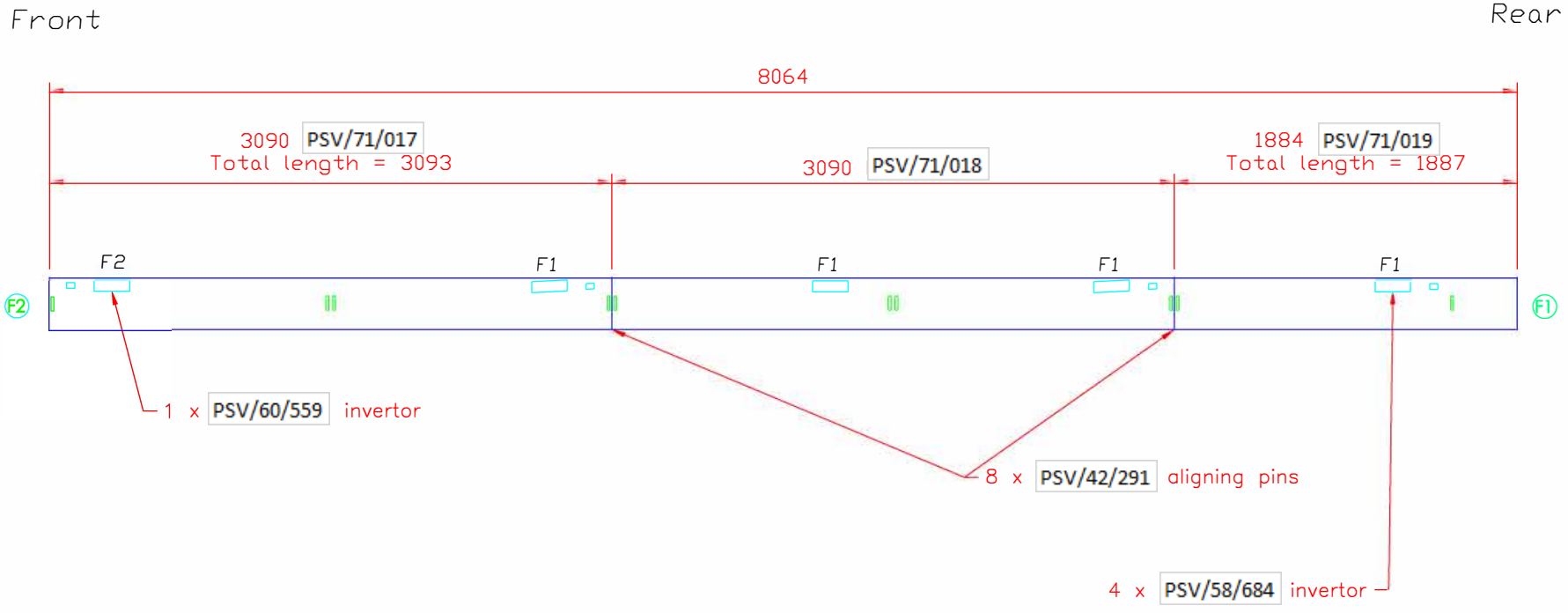
Stock Number	Description	Quantity
PSV/65/664	INTERIOR DIFFUSER KIT, MIDI 9.5M	1.00
PSV/65/658	LIGHT DIFFUSER	2.00
PSV/65/659	LIGHT DIFFUSER	1.00
PSV/08/127	DIFFUSER COVERCLIP RAL 9006	4.00
PSV/65/660	LIGHT UNIT INTERNAL SEAL	4.00
PSV/65/665	INTERIOR TRACKING KIT, MIDI 9.5M SINGLE	1.00
PSV/42/291	LIGHT CHASSIS ALIGNING PIN	8.00
PSV/65/661	LIGHT CHASSIS	1.00
PSV/58/682	LIGHT INVERTER	1.00
PSV/65/662	LIGHT CHASSIS	1.00
PSV/58/682	LIGHT INVERTER	2.00
PSV/65/663	LIGHT CHASSIS	1.00
PSV/58/687	LIGHT INVERTER - BOOSTED PRE HEAT	1.00
PSV/58/682	LIGHT INVERTER	1.00
PSV/65/666	FLUORESCENT TUBE KIT 9.5M SINGLE ROW	1.00
PSV/08/073	58W LIGHT TUBE	5.00

W14-03076 - ELK-00473

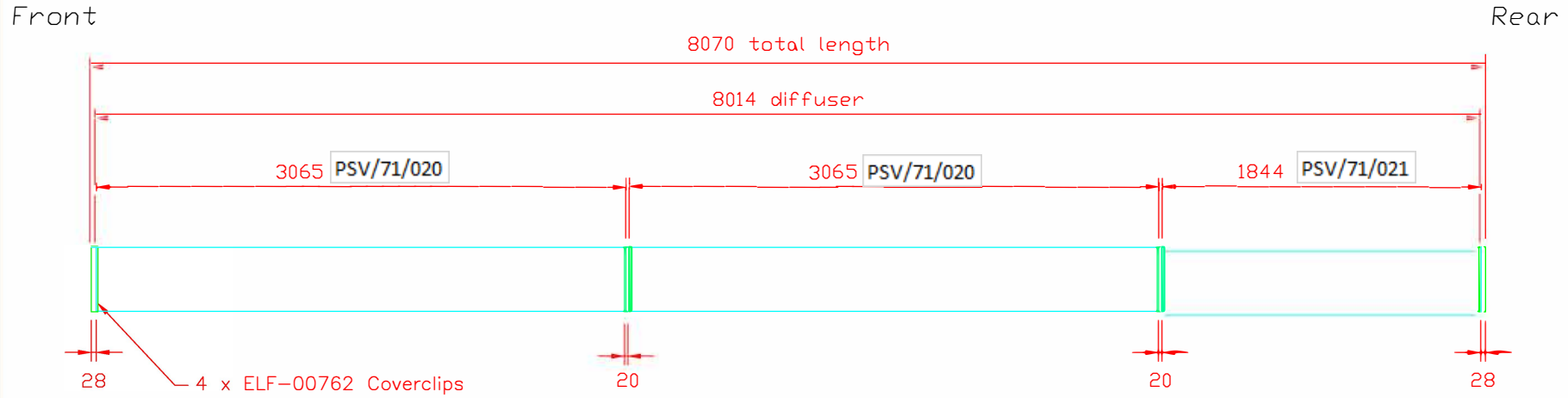
INTERIOR - SALOON LIGHTS - TUBE KIT 9.5M MIDI SINGLE TUBE



W14-03076 - ELK-00472
INTERIOR - SALOON LIGHTS - TRACKING KIT 9.5M SINGLE TUBE



W14-03076 - ELK-00471
INTERIOR - SALOON LIGHTS - DIFFUSER KIT 9.5M



W14-03135

INT - MIDIBUS REAR BULKHEAD RAL 7046

Stock Number	Description	Quantity
PSV/65/182	N/S REAR BULKHEAD SEALING PLATE	2.00
PSV/37/888	ALUM SHT.2500x1250x2.5MM	0.01
PSV/65/185	CENTRE REAR BULKHEAD SUPPORT BRACKET	1.00
PSV/65/290	ALUM. ALLOY SHT.2500x1250x5mm 5251 H22	0.00
PSV/36/983	REAR DOME TO CANTRAIL SUPPORT	2.00
PSV/65/292	INTERIOR REAR BULKHEAD	1.00
PSV/66/538	MIDIBUS REAR BULKHEAD SEAT GROUND	1.00
PSV/66/539	MIDIBUS REAR BULKHEAD SEAT GROUND	1.00
PSV/66/542	MIDIBUS REAR BULKHEAD SEAT GROUND	1.00
PSV/66/543	MIDIBUS REAR BULKHEAD SEAT GROUND	1.00
PSV/65/293	INTERIOR REAR BULKHEAD ACCESS DOOR	1.00
PSV/13/369	NYLON WASHER FOR CAPTIVE FASTENER	4.00
PSV/12/999	STAINLESS STEEL RECEPTABLE RIVET TYPE	4.00
PSV/11/503	LARGE TOOLHEAD CAPTIVE SCREW	4.00
PSV/66/572	K230 HANDBRAKE Z BRACKET	2.00
PSV/66/628	MIDI REAR BULKHEAD ANGLE	2.00
PSV/51/470	NEARSIDE REAR BULKHEAD SUPPORT BRACKET	1.00
PSV/51/471	OFFSIDE REAR BULKHEAD SUPPORT BRACKET	1.00
PSV/66/715	RUBBER U CHANNEL EXTRUSION	3.89

W14-03135
INTERIOR - REAR BULKHEAD



PSV/13/369
Nylon Washer

PSV/65/293
Rear Bulkhead Door

PSV/65/292
Rear Bulkhead



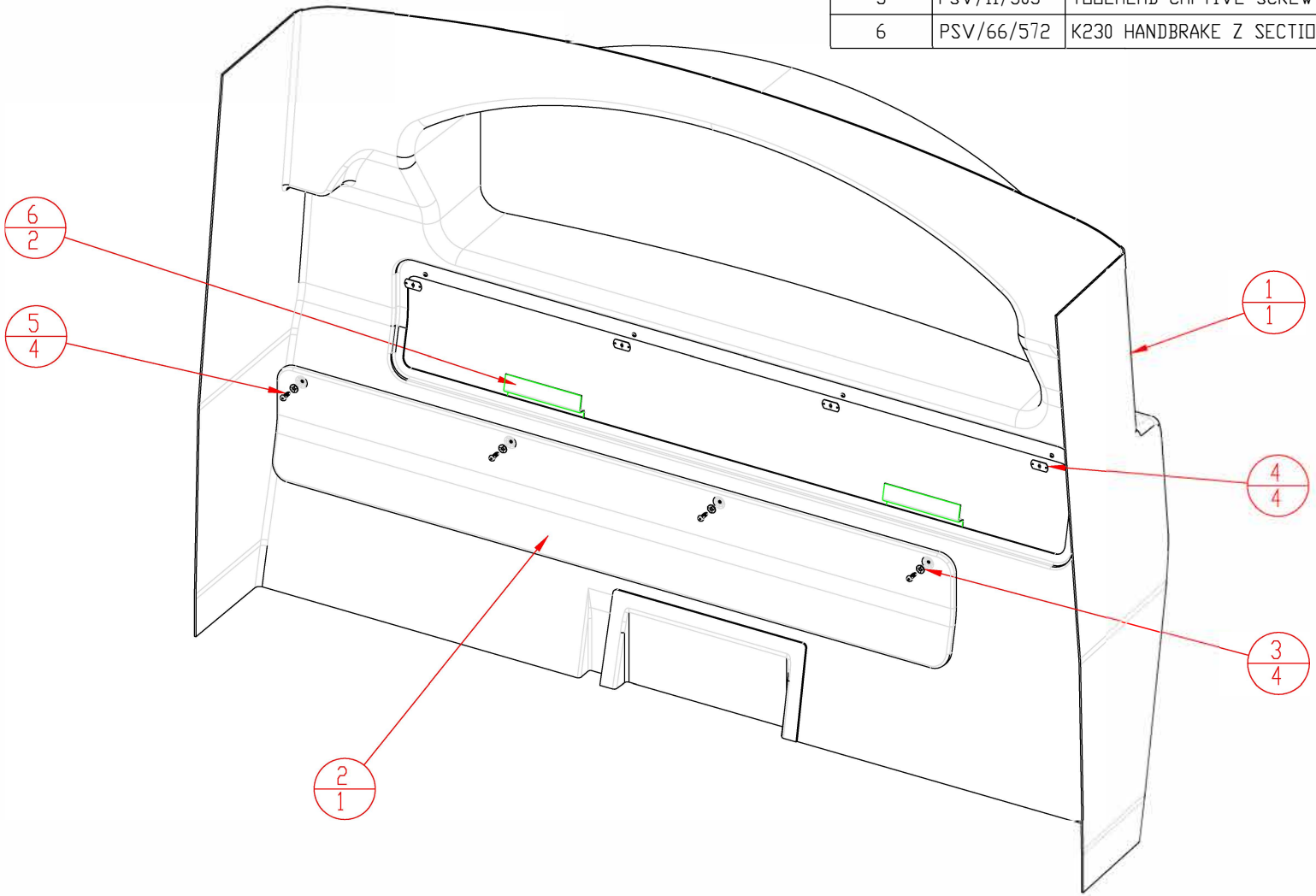
PSV/11/503
Large Toolhead Captive Screw

PSV/12/314
Large Toolhead Key

PSV/12/999
Stainless Steel
Receptable Rivet Type



Index	Part No.	Description	Qty
1	PSV/65/292	INTERIOR REAR BULKHEAD	1
2	PSV/65/293	INTERIOR REAR BULKHEAD ACCESS DOOR	1
3	PSV/13/369	SOUTHCO NYLON WASHER	4
4	PSV/12/999	SOUTHCO SS RECEPTICLE	4
5	PSV/11/503	TOOLHEAD CAPTIVE SCREW	4
6	PSV/66/572	K230 HANDBRAKE Z SECTION	2



W14-03135
INTERIOR - REAR BULKHEAD

W14-03172

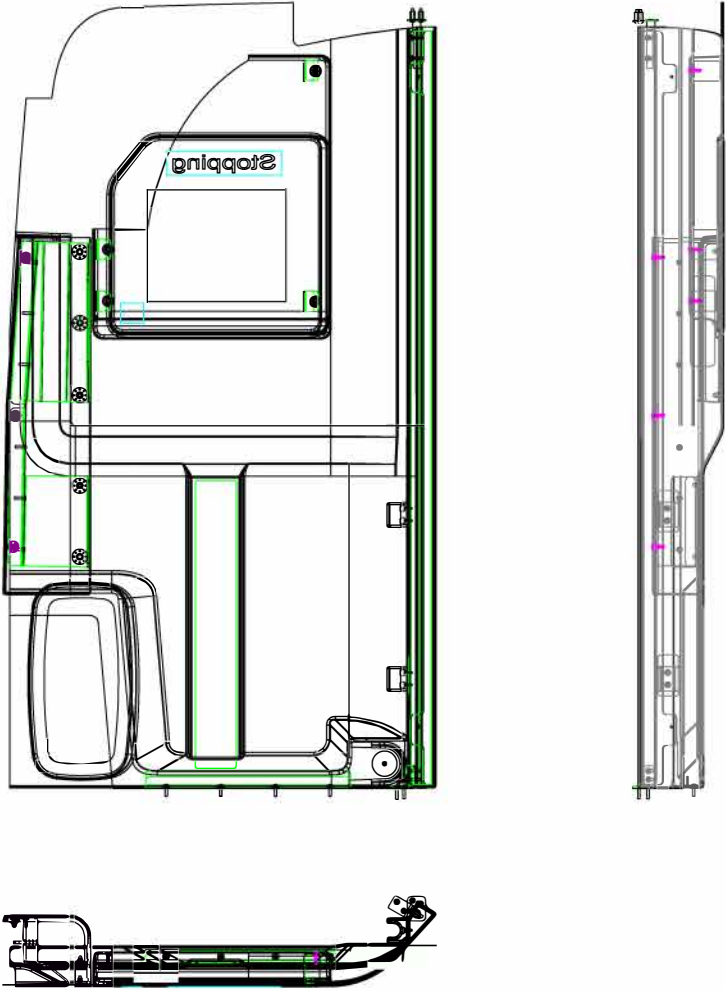
INTERIOR - DRIVERS SEAT-KAB T4/MAMMUT

Stock Number	Description	Quantity
PSV/66/735	DRIVERS SEAT-KAB T4 PRE-TRIMMED MAMMUT	1.00
PSV/66/427	DRIVERS SEAT PED. TO SUIT KAB T4 - 137MM	1.00

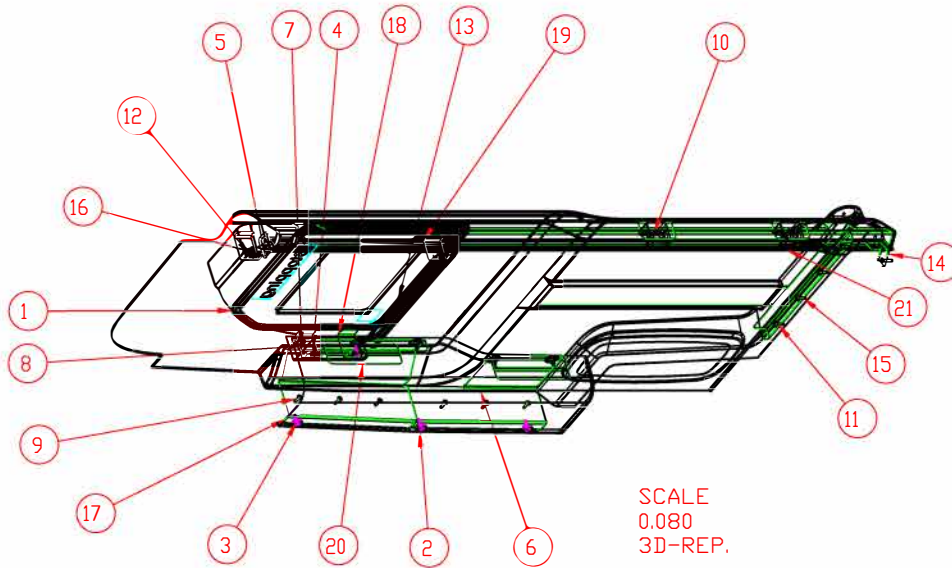
W14-03174

INTERIOR - DRIVERS PARTITION MIDIBUS

Stock Number	Description	Quantity
PSV/65/297	DRIVERS PARTITION TFT COVER	1.00
PSV/65/306	MIDI LOOM COVER MINI MISTRAL SPEC	1.00
PSV/65/735	MIDI DRIVERS PARTITION ASSY MISTRAL	1.00
PSV/65/308	DRIVERS PARTITION OTR MIDI MISTRAL SPEC	1.00
PSV/65/309	DRIVERS PARTITION INER MIDI MISTRAL SPEC	1.00
PSV/66/617	MIDIBUS PARTITION CHANNEL	1.00
PSV/43/346	M6 X 20 BIGHEAD BONDING FASTENER	5.00
PSV/66/619	MIDIBUS PARTITION HEADBUMP PAD GROUND	1.00
PSV/66/618	MIDIBUS PARTITION W/C HANDPOLE GROUND	2.00
PSV/66/431	MIDIBUS PARTITION SINGLE EDGE BEADING	1.00
PSV/65/715	M6 x 25 CSK BIGHEAD BONDING STRIP	2.00
PSV/66/625	LOWER PARTITON BRACKET GREY RAL 7015	1.00
PSV/66/429	LOWER PARTITION BRACKET GREY RAL 7015	1.00
PSV/66/613	MIDIBUS PARTITION BRACKET ASSEMBLY	1.00
PSV/66/620	MIDIBUS SIDE WALL PARTITION BRACKET	1.00
PSV/11/421	M6x30 - FLANGE SOCKET BUTTON SCREW - Z+B	11.00
PSV/41/313	SOUTHCO FAST LEAD SCREW - MEDIUM SIZE	4.00
PSV/65/770	CLIP ON RECEPTACLE NARROW FLANGE	4.00
PSV/66/621	MIDI PARTITION TFT COVER BRACKET	3.00
PSV/66/622	MIDI PARTITION TFT COVER BRACKET SMALL	1.00
PSV/66/623	MIDI PARTITION LOOM COVER Z SECTION	2.00
PSV/60/161	M6 SELF FINISH NYLOC NUT	5.00
PSV/43/704	1/4in.FLAT STEEL WASHER	9.00
PSV/65/767	1/4x1 MONOBOLT 2771-081	6.00
PSV/43/724	1/4 x 1 ^ PAN HD.TAPTITE	4.00
PSV/66/850	MIDIBUS WC STOW CLAMP	1.00
PSV/66/371	TERRY CLIP 32MM WHITE POLY COATED	1.00



Index	Part Number	Compnt Type	Description	Qty
1	PSV/65/297	PART	MIDIBUS PARTITION TFT COVER.	1
2	PSV/65/306	PART	MIDIBUS DRIVERS PARTITION LOOM COVER	1
3	PSV/41/283	PART	FAST LEAD SCREW RECEPTACLE	3
4	PSV/41/313	PART	MEDIUM FAST LEAD SCREW	7
5	PSV/11/421	PART	M6x30 FLANGE SOCKET SCREW Z+B	8
6	PSV/65/735	ASSEMBLY	DRIVERS PARTITION FA VARIANT	1
7	PSV/60/161	PART	M6 SELF FINISH HEX NYLOC NUT	5
8	PSV/43/704	PART	1/4" BRIGHT STEEL WASHER	9
9	PSV/65/767	PART	1/4x1' MONOBOLT	6
10	PSV/70/937	PART	No.8 x 3/4" CSK SELF-TAPPING SCREW	4
11	PSV/43/724	PART	1/4 x 1' Pan Head Pozi	4
12	PSV/65/770	PART	southco clip on receptacle narrow	4
13	PSV/65/781	PART	midibus bus stopping sign glass panel	1
14	PSV/66/429	PART	PARTITION ATTACHMENT BRACKET	1
15	PSV/70/938	PART	DRIVERS PARTITION BTM GROUND	1
16	PSV/66/613	ASSEMBLY	MIDIBUS PARTITION BRACKET ASSEMBLY	1
17	PSV/66/620	PART	MIDIBUS PARTITION BRACKET	1
18	PSV/66/621	PART	MIDI PARTITION TFT COVER BRACKET	3
19	PSV/66/622	PART	MIDI PARTITION TFT COVER BRACKET	1
20	PSV/66/623	PART	midibus partition loom cover z section	2
21	PSV/70/939	PART	MIDIBUS WHEELCHAIR ARM ASSY STOW CLAMP	2



SCALE
0.080
3D-REP.

INTERIOR - DRIVERS PARTITION

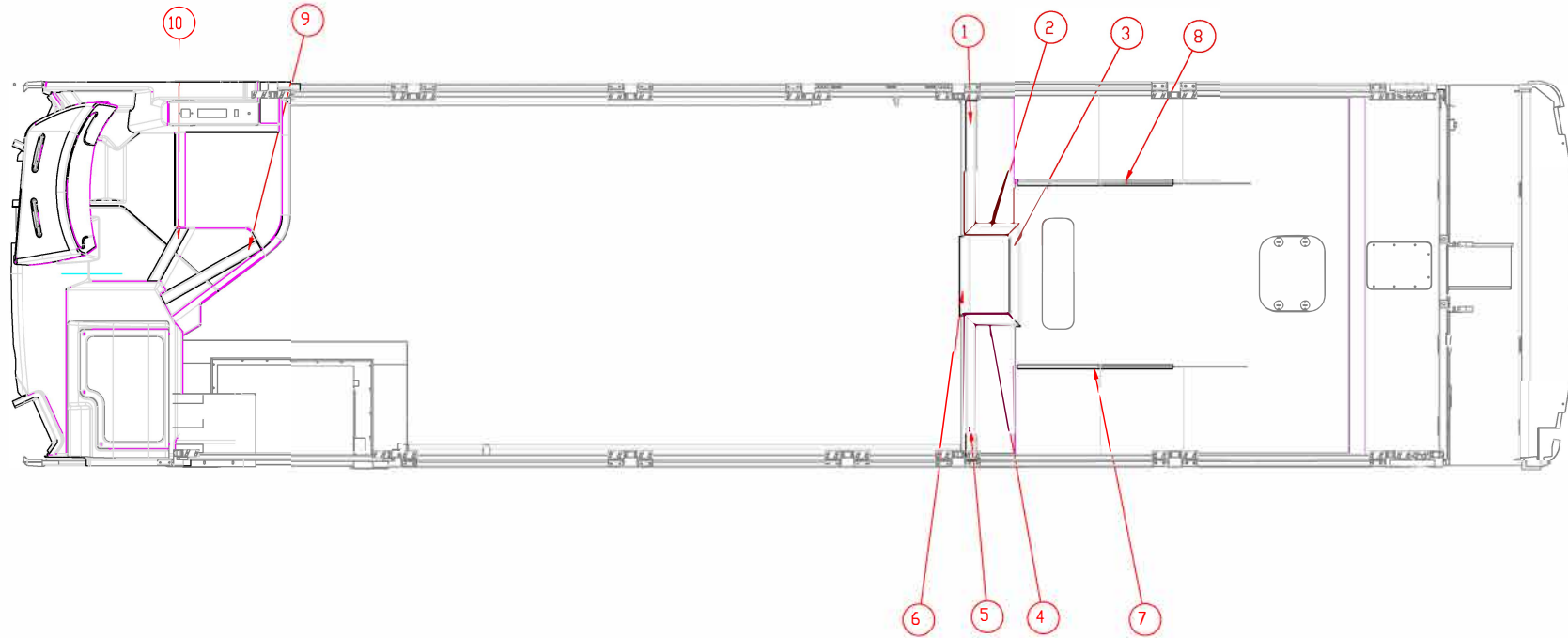
W14-03174

W14-03199

INTERIOR - STEP EDGING DDA REQ, 9.5M

Stock Number	Description	Quantity
PSV/65/172	MIDI OS REAR FLOOR SHELF STEP EDGING	1.00
PSV/11/183	ALLOY STEP EDGING 3M LENGTH	0.29
PSV/65/173	MIDI OS REAR FLOOR SHELF STEP EDGING	1.00
PSV/11/183	ALLOY STEP EDGING 3M LENGTH	0.13
PSV/65/174	MIDI REAR FLOOR SHELF STEP EDGING	1.00
PSV/11/183	ALLOY STEP EDGING 3M LENGTH	0.22
PSV/65/175	MIDI NS REAR FLOOR SHELF STEP EDGING	1.00
PSV/11/183	ALLOY STEP EDGING 3M LENGTH	0.13
PSV/65/176	MIDI NS REAR FLOOR SHELF STEP EDGING	1.00
PSV/11/183	ALLOY STEP EDGING 3M LENGTH	0.31
PSV/65/177	MIDI REAR FLOOR SHELF STEP EDGING	1.00
PSV/11/183	ALLOY STEP EDGING 3M LENGTH	0.17
PSV/65/178	NEARSIDE WHEELARCH ALLOY FINISHER	1.00
PSV/65/286	ALUM HOC/STK BEADING 4.0M CV1	0.26
PSV/65/179	OFFSIDE WHEELARCH FINISHER	1.00
PSV/65/286	ALUM HOC/STK BEADING 4.0M CV1	0.26
PSV/65/180	MIDI CAB FLOOR STEP EDGING	1.00
PSV/11/183	ALLOY STEP EDGING 3M LENGTH	0.23
PSV/65/181	MIDI CAB FLOOR ALLOY STEP EDGING	1.00
PSV/11/183	ALLOY STEP EDGING 3M LENGTH	0.15
PSV/65/183	ENTRANCE DOOR ALLOY FINISHER	1.00
PSV/37/865	ALUM 19x19x1.5mm	0.19
PSV/37/566	FLOOR ADHESIVE	0.05
PSV/05/043	STEP EDGE YELLOW INSERT	0.14

Index	Part No.	Description	Qty
1	PSV/65/172	ALLOY STEP EDGING	1
2	PSV/65/173	ALLOY STEP EDGING	1
3	PSV/65/174	ALLOY STEP EDGING	1
4	PSV/65/175	ALLOY STEP EDGING	1
5	PSV/65/176	ALLOY STEP EDGING	1
6	PSV/65/177	ALLOY STEP EDGING	1
7	PSV/65/17		1
8	PSV/65/179		1
9	PSV/65/180	ALLOY STEP EDGING	1
10	PSV/65/181	ALLOY STEP EDGING	1



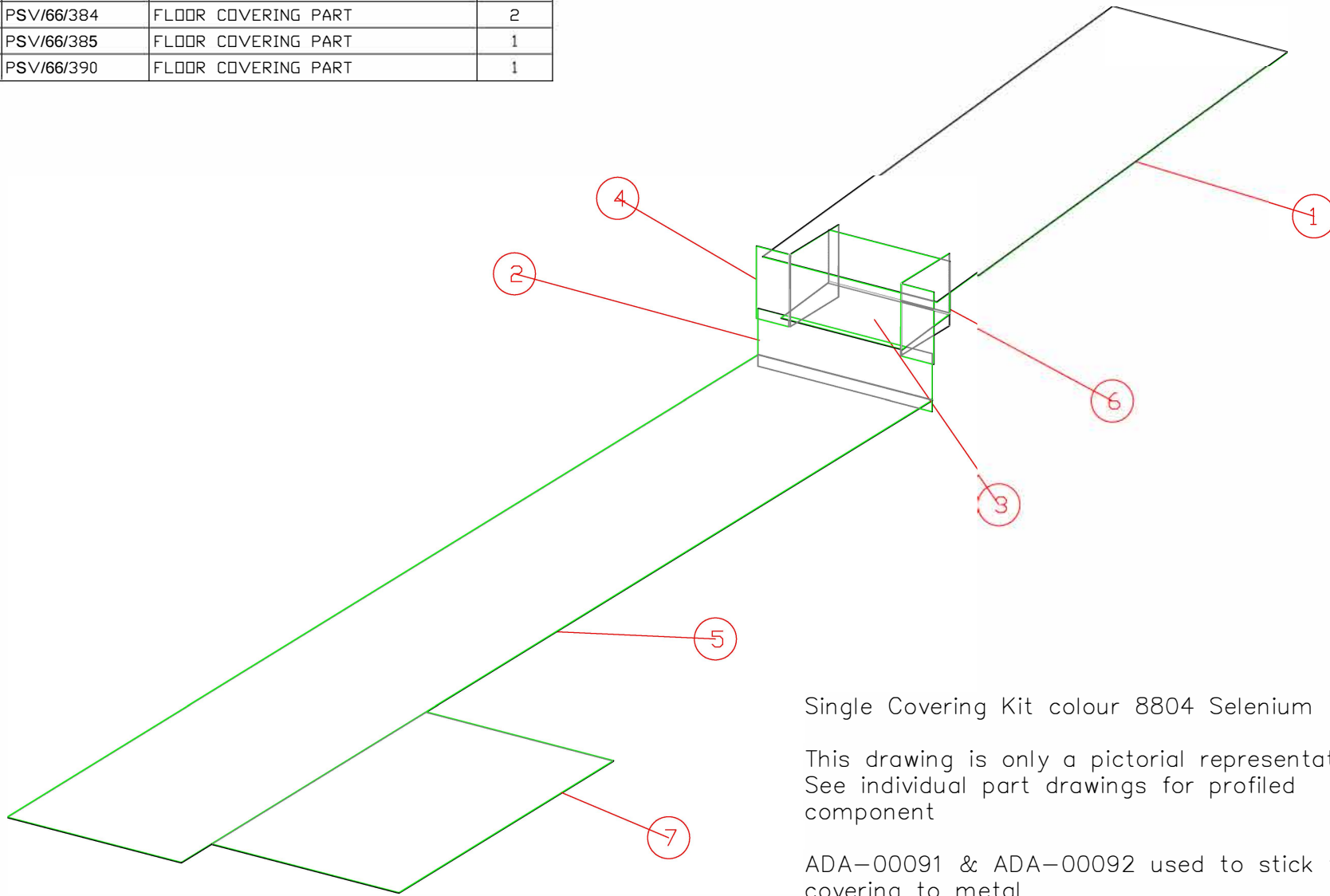
W14-03199
 INTERIOR - STEP EDGING

W14-03205

INTERIOR - FLOOR COVERING, 9.5M MIDIBUS

Stock Number	Description	Quantity
PSV/62/277	TREMCO TREADFAST 1635 Pt	0.00
PSV/62/278	TREMCO TREADFAST 1635 Pt	0.00
PSV/37/566	FLOOR ADHESIVE	17.50
PSV/65/267	RAL 7015 GREY TARABUS SEALER FORMOA 006	2.00
PSV/62/282	SEALER SURFACE ACTIVATOR	0.20
PSV/65/269	BLACK SEALER (SIGNAL BLACK) FORMOA 010	1.00
PSV/65/723	9.5 MIDI DUAL FLOOR COVER KIT,PALLADIUM	1.00
PSV/66/376	MIDI FLOORCOVERING PART	2.00
PSV/66/377	MIDI FLOORCOVERING PART	2.00
PSV/66/378	MIDI FLOORCOVERING PART	2.00
PSV/66/379	MIDI FLOORCOVERING PART	1.00
PSV/66/380	MIDI FLOORCOVERING PART	1.00
PSV/66/381	MIDI FLOORCOVERING PART	1.00
PSV/66/386	MIDI FLOORCOVERING PART	1.00
PSV/66/387	MIDI FLOORCOVERING PART	1.00
PSV/66/388	MIDI FLOOR COVERING PART	1.00
PSV/66/389	FLOOR COVERING PART	1.00
PSV/65/724	9.5 MIDI DUAL FLOOR COVER KIT,SELENIUM	1.00
PSV/66/375	MIDI FLOORCOVERING PART	1.00
PSV/66/382	MIDI FLOORCOVERING PART	1.00
PSV/66/383	MIDI FLOORCOVERING PART	1.00
PSV/66/384	MIDI FLOORCOVERING PART	2.00
PSV/66/385	MIDI FLOORCOVERING PART	1.00
PSV/66/390	MIDI FLOORCOVERING PART	1.00
PSV/66/373	WELDING CORD,TO MATCH PALLADIUM 8805	25.00
PSV/66/374	WELDING CORD,GREY 0075	8.00

Index	Part No.	Description	Qty
1	PSV/66/375	FLOOR COVERING PART	1
2	PSV/66/382	FLOOR COVERING PART	1
3	PSV/66/383	FLOOR COVERING PART	1
4	PSV/66/384	FLOOR COVERING PART	2
5	PSV/66/385	FLOOR COVERING PART	1
6	PSV/66/390	FLOOR COVERING PART	1



Single Covering Kit colour 8804 Selenium

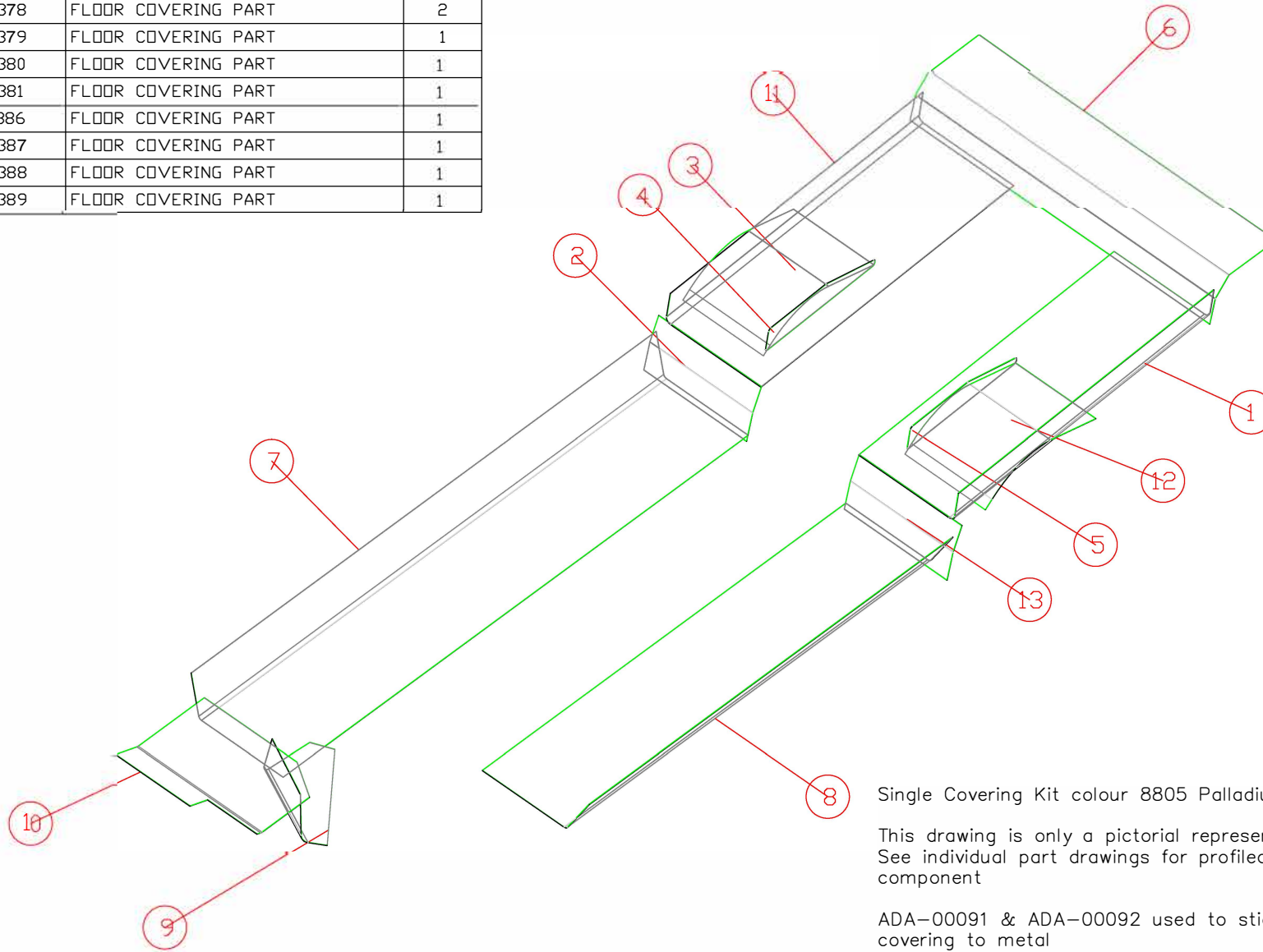
This drawing is only a pictorial representation
See individual part drawings for profiled
component

ADA-00091 & ADA-00092 used to stick floor
covering to metal
ADA-00093 to be used on all other surfaces

INTERIOR - FLOOR COVERING - CENTRE AISLE

W14-03205 - FCK-00532

Index	Part No.	Description	Qty
1	PSV166/376	FLOOR COVERING PART	2
2	PSV166/377	FLOOR COVERING PART	2
3	PSV166/378	FLOOR COVERING PART	2
4	PSV166/379	FLOOR COVERING PART	1
5	PSV166/380	FLOOR COVERING PART	1
6	PSV166/381	FLOOR COVERING PART	1
7	PSV166/386	FLOOR COVERING PART	1
8	PSV166/387	FLOOR COVERING PART	1
9	PSV166/388	FLOOR COVERING PART	1
10	PSV166/389	FLOOR COVERING PART	1



Single Covering Kit colour 8805 Palladium

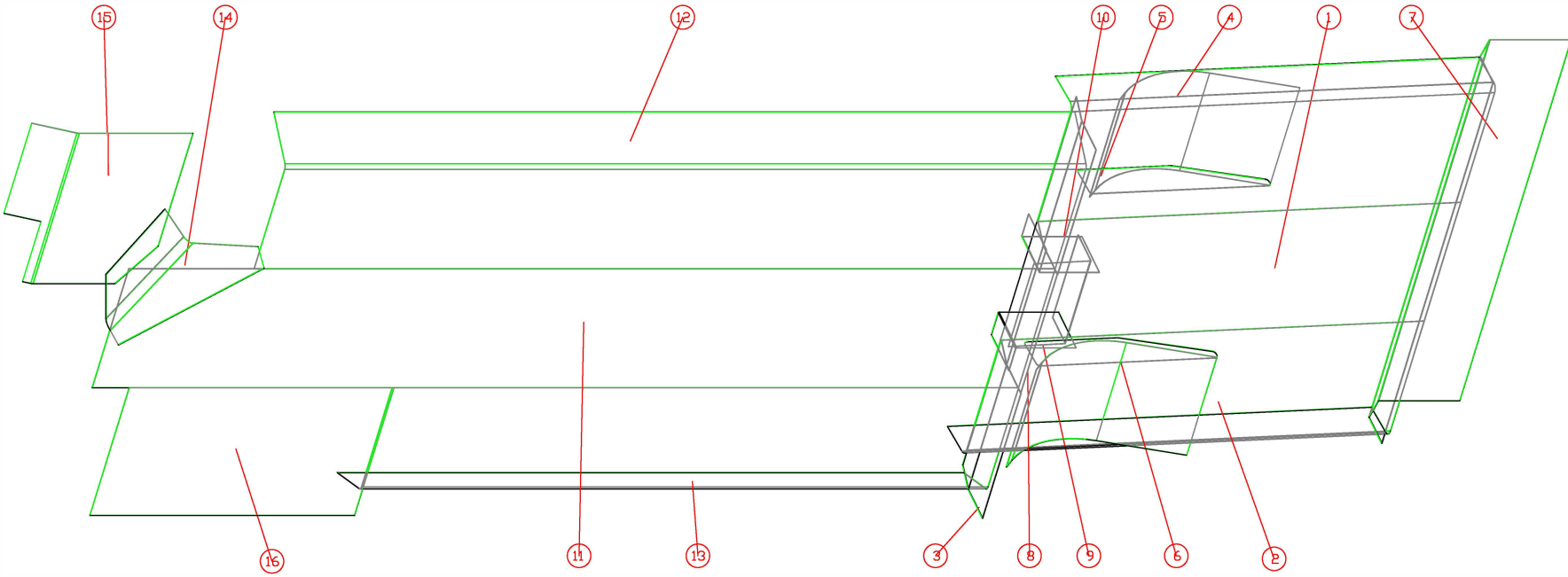
This drawing is only a pictorial representation
See individual part drawings for profiled
component

ADA-00091 & ADA-00092 used to stick floor
covering to metal
ADA-00093 to be used on all other surfaces

INTERIOR - FLOOR COVERING - BELOW SEATS

W14-03205 - FCK-00531

Index	Part Number	Compt Type	Description	Qty
1	PSV/66/375	PART	FLOOR COVERING PART	1
2	IPSV/66/376	PART	FLOOR COVERING PART	2
3	PSV/66/377	PART	FLOOR COVERING PART	2
4	PSV/66/378	PART	FLOOR COVERING PART	2
5	PSV/66/379	PART	FLOOR COVERING PART	1
6	PSV/66/380	PART	FLOOR COVERING PART	1
7	PSV/66/381	PART	FLOOR COVERING PART	1
8	PSV/66/382	PART	FLOOR COVERING PART	1
9	PSV/66/383	PART	FLOOR COVERING PART	1
10	PSV/66/384	PART	FLOOR COVERING PART	2
11	PSV/66/385	PART	FLOOR COVERING PART	1
12	PSV/66/386	PART	FLOOR COVERING PART	1
13	PSV/66/387	PART	FLOOR COVERING PART	1
14	PSV/66/388	PART	FLOOR COVERING PART	1
15	PSV/66/389	PART	FLOOR COVERING PART	1
16	PSV/66/390	PART	FLOOR COVERING PART	1



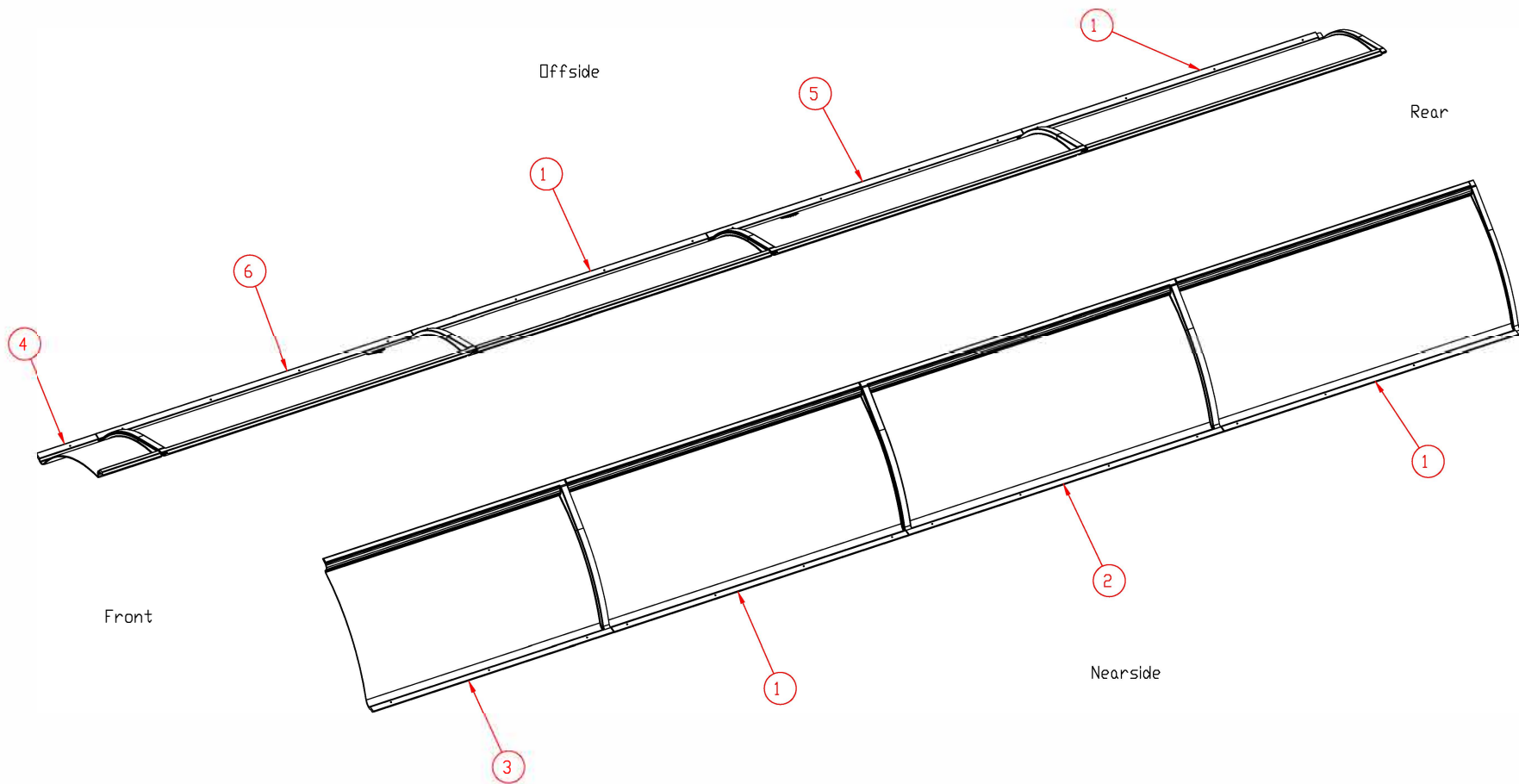
W14-03205
 INTERIOR - FLOOR COVERING

W14-03208

INTERIOR - ROOF COVES & DUCTS, MIDI 9.5M

Stock Number	Description	Quantity
PSV/66/391	INTERIOR COVE LINING KIT, MIDI 9.5M ABS	1.00
PSV/66/360	ACCESS ROOF COVE	4.00
PSV/66/361	ACCESS ROOF COVE	1.00
PSV/66/362	ACCESS ROOF COVE	1.00
PSV/66/363	ACCESS ROOF COVE	1.00
PSV/66/364	ACCESS ROOF COVE	1.00
PSV/66/365	ACCESS ROOF COVE	1.00
PSV/66/598	MIDI COVE ATTACHMENT ANGLE	2.00
PSV/11/111	SOUTHCO PANEX 1/4 TURN FASTENER	32.00
PSV/41/075	SOUTHCO PANEX 1/4 TURN RECEPTACLE	32.00
PSV/43/741	SOUTHCO PANEX 1/4 TURN CAPTIVE WASHER	4.00
PSV/15/727	PRIMA SLOT VENT P194-65767 - BLACK	6.00
PSV/65/854	FIXING PLATE FOR PRIMA VENT P194	12.00

Index	Part Number	Compnt Type	Description	Qty
1	PSV/66/360	ASSEMBLY	INTERIOR COVE LINING PANEL	4
2	PSV/66/361	ASSEMBLY	INTERIOR COVE LINING PANEL	1
3	PSV/66/362	ASSEMBLY	INTERIOR COVE LINING PANEL	1
4	PSV/66/363	ASSEMBLY	INTERIOR COVE LINING PANEL	1
5	PSV/66/364	ASSEMBLY	INTERIOR COVE LINING PANEL	1
6	PSV/66/365	ASSEMBLY	INTERIOR COVE LINING PANEL	1



W14-03208 - ILK-00935
INTERIOR - ROFF COVE LINING KIT ABS, MIDI 9.5M

W14-03234

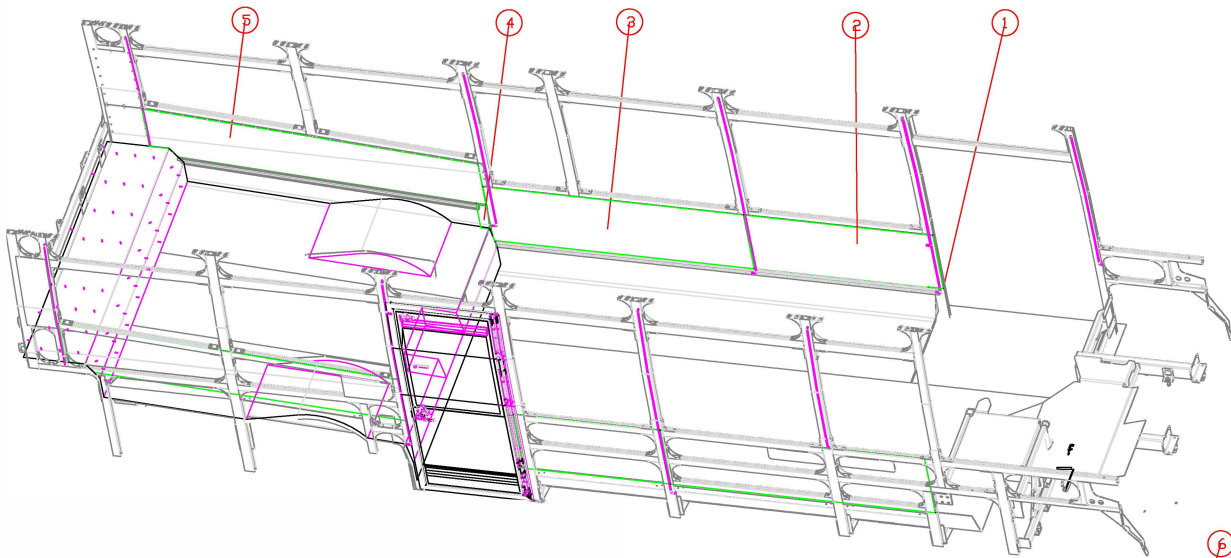
INT - MIDIBUS TFT / STOPPING SIGN GLASS

Stock Number	Description	Quantity
PSV/65/781	MIDIBUS PARTITIO BUS STOPPING SIGN GLASS	1.00
PSV/65/186	MIDIBUS TFT SCREEN BLACKOUT	1.00
PSV/41/597	DESTINATION & ROUTE BLACKOUT MATERIAL	0.00

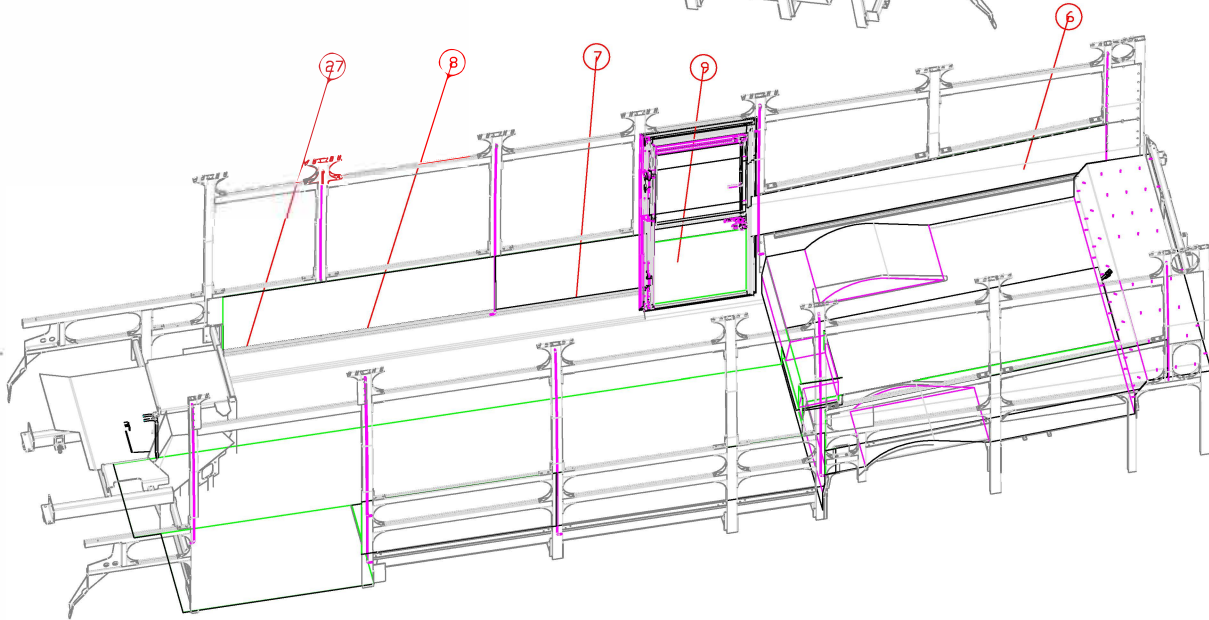
W14-03237

INTERIOR - SIDE LININGS, FORMICA BERRY

Stock Number	Description	Quantity
PSV/45/533	LARGE DOUBLE EDGE BEADING 2.5MM HEIGHT	0.87
PSV/66/357	LARGE SINGLE EDGE BEADING 2.5MM HEIGHT	1.28
PSV/66/392	INTERIOR SIDE LINING KIT,FORMICA BERRY	1.00
PSV/66/395	INTERIOR LINING PART	1.00
PSV/66/396	INTERIOR LINING PART	1.00
PSV/66/397	INTERIOR LINING PART	1.00
PSV/66/398	INTERIOR LINING PART	1.00
PSV/46/179	INTERIOR LINING PART	1.00
PSV/66/399	INTERIOR LINING PART	1.00
PSV/66/400	INTERIOR LINING PART	1.00
PSV/66/402	EMERGENCY DOOR INTERIOR LINING PART	1.00
PSV/66/687	SIDE INFILL STRIP, GREY RAL 7042	0.30
PSV/62/067	WHEELARCH TRIM COVER	1.00
PSV/62/068	WHEELARCH TRIM COVER (Millennium)RAL7042	1.00
PSV/66/692	SEATRAIL PVC INFILL COLOUR GREY RAL 7042	2.00



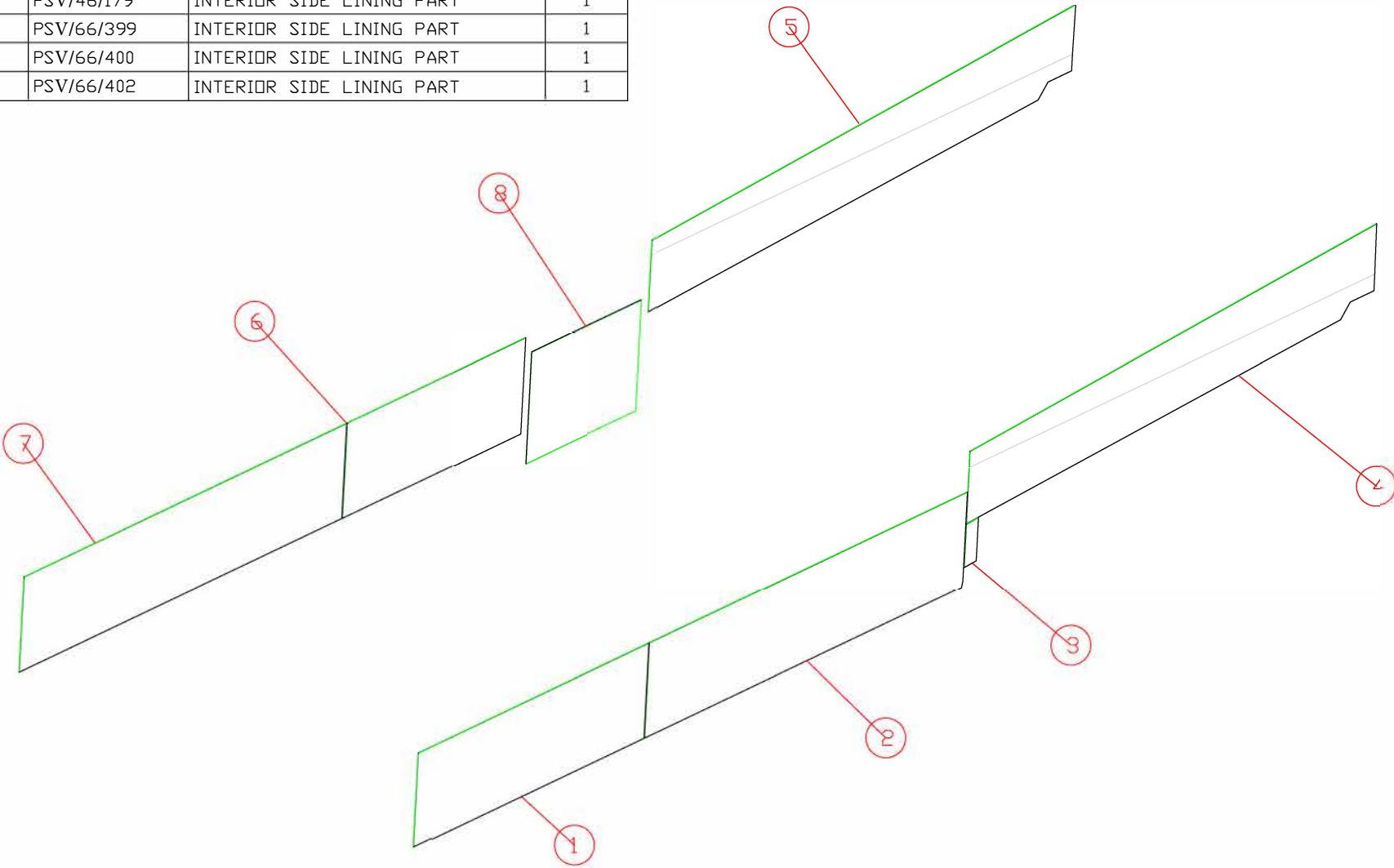
Index	Part Number	Description	Qty
1	PSV/66/392	INTERIOR SIDE LINING KIT - MIDIBUS 9.5m	1
2	PSV/66/395	INTERIOR SIDE LINING PART	1
3	PSV/66/396	INTERIOR SIDE LINING PART	1
4	PSV/66/397	INTERIOR SIDE LINING PART	1
5	PSV/66/398	INTERIOR SIDE LINING PART	1
6	PSV/46/179	INTERIOR SIDE LINING PART	1
7	PSV/66/399	INTERIOR SIDE LINING PART	1
8	PSV/66/400	INTERIOR SIDE LINING PART	1
9	PSV/66/402	INTERIOR SIDE LINING PART	1
10	INTEGRAL_MASTER		1
11	INTG_9_5_FNT_AXLE		1
12	INTG_BODY		1
13	INTG_BODY_SKEL01		1
14	INTG_ENT_EXIT_DOORS		1
15	INTG_FLOOR		1
16	INTG_FRAMING_9_5		1
17	INTG_FRAMING_SKEL01		1
18	INTG_INT_FINISHING_SKEL01		1
19	INTG_INTERIOR_FINISHING		1
20	INTG_INTERIOR_STRUCTURE		1
21	INTG_LININGS_AND_CAPPINGS		1
22	INTG_MASTER_SKEL		2
23	PSV/70/940	9.5 MIDIBUS NEAR SIDE FRAME	1
24	PSV/70/941	9.5 MIDIBUS NEAR SIDE FRAME	1
25	PSV/70/942	INTEGRAL FRAME ASSY 9.5 TWIN DOOR	1
26	PSV/70/943	INTERIOR-FLOOR COVERIN 9.5 MIDIBUS	1
27	PSV/66/827	INTERIOR SIDE LININGS FORMICA BERRY	1



W14-03237
 INTERIOR - SIDE LININGS

Index	Part No.	Description	Qty
1	PSV/66/395	INTERIOR SIDE LINING PART	1
2	PSV/66/396	INTERIOR SIDE LINING PART	1
3	PSV/66/397	INTERIOR SIDE LINING PART	1
4	PSV/66/398	INTERIOR SIDE LINING PART	1
5	PSV/46/179	INTERIOR SIDE LINING PART	1
6	PSV/66/399	INTERIOR SIDE LINING PART	1
7	PSV/66/400	INTERIOR SIDE LINING PART	1
8	PSV/66/402	INTERIOR SIDE LINING PART	1

Fire retardency – BS 476 (1997)class 1 – both sides
 Volante – 2mm Compact dhenolic lamiate kraft paper
 Formica K5827 Berry
 Finished face shown



W14-03237 - ILK-00942
 INTERIOR - SIDE LININGS - INTERIOR SIDE LINING KIT - MIDIBUS 9.5m

W14-03238

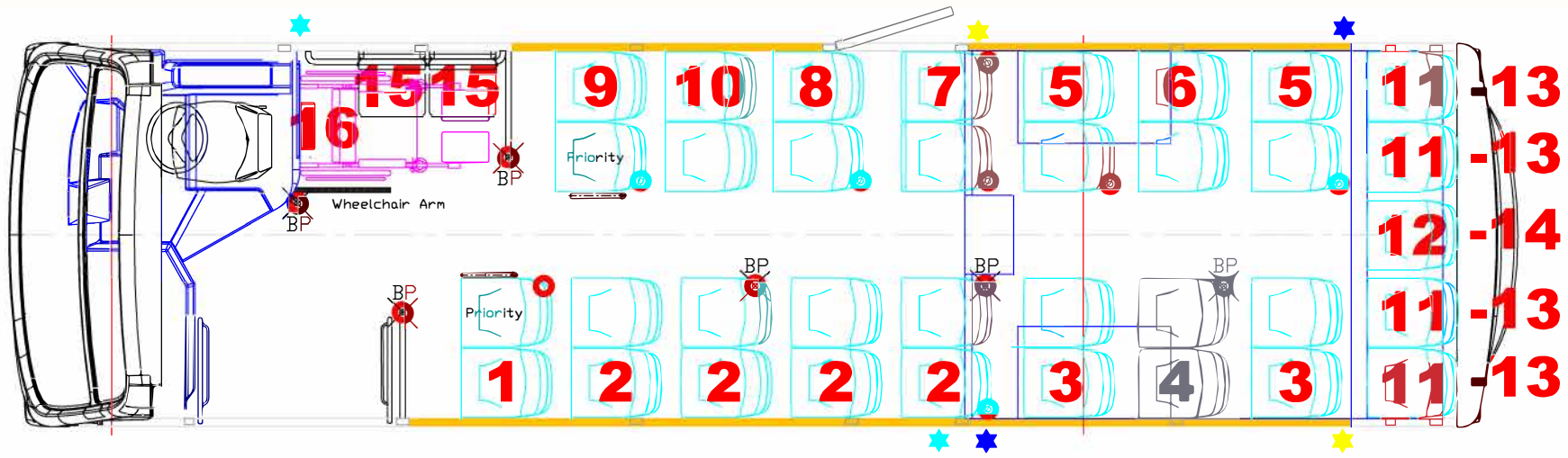
INTERIOR - CENTRE ROOF LININGS

Stock Number	Description	Quantity
PSV/62/276	ADH SIKA 205 CLEAN 1 LITRE	0.50
PSV/65/266	ADH SIKA 555 400ML SAUSAGE	3.00
PSV/62/296	TAPE INSEAL 1.5x25MMx50M	16.20
PSV/65/271	TAPE INSEAL 3259 7.5x12x10M	16.20
PSV/45/533	LARGE DOUBLE EDGE BEADING 2.5MM HEIGHT	0.50
PSV/66/357	LARGE SINGLE EDGE BEADING 2.5MM HEIGHT	0.50
PSV/66/401	INTERIOR LINING PART,FORMICA CHINA BLUE	6.00
PSV/66/688	DD PVC HANDTRACK INFIL GREY RAL 7042 12M	2.00

W14-03250

INTERIOR - SEATS - MIDI 9.5M /CUS-02243

Stock Number	Description	Quantity
PSV/49/954	PILLAR PACKER TOGGLE - M10	28.00
PSV/38/242	ALUM ACCESSY TOGGLE M6	8.00
PSV/53/696	PVC GREY CENTRE INFILL 3.7M	3.20
PSV/66/689	RH SEATRAIL ENDCAP Millennium	2.00
PSV/66/690	LH SEATRAIL ENDCAP Millennium	2.00
PSV/66/693	RH SEATRAIL ENDCAP TO SUIT LARGE INFILL	2.00
PSV/54/063	ALUM ACCESSORY TOGGLE M8	12.00
PSV/66/694	LH SEATRAIL ENDCAP TO SUIT LARGE INFILL	2.00
PSV/61/279	RH SEATRAIL ENDCAP Millennium	2.00
PSV/61/280	LH SEATRAIL ENDCAP Millennium	2.00
PSV/66/719	SALOON SEATS - KIT TO SUIT WB MIDI	1.00
PSV/66/724	PRACTICO LOW BACKED LIGHTWEIGHT FOR N/S	1.00
PSV/66/725	PRACTICO LOW BACKED DOUBLE FOR N/S	4.00
PSV/66/726	PRACTICO LOW BACKED DOUBLE FOR N/S	2.00
PSV/66/727	PRACTICO LOW BACKED DOUBLE FOR N/S	1.00
PSV/66/728	PRACTICO LOW BACKED DOUBLE FOR O/S	2.00
PSV/66/729	PRACTICO LOW BACKED DOUBLE FOR O/S	1.00
PSV/66/730	PRACTICO LOW BACKED DOUBLE FOR EMG. EXIT	1.00
PSV/66/731	PRACTICO LOW BACKED DOUBLE FOR O/S	1.00
PSV/66/732	PRACTICO LOW BACKED PRIORITY FOR O/S	1.00
PSV/66/721	PRACTICO L'WEIGHT LEG TO SUIT FLAT FLOOR	10.00
PSV/66/722	PRACTICO L'WEIGHT LEG TO SUIT 4DEG FLOOR	4.00
PSV/66/723	PRACTICO L'WEIGHT LEG TO SUIT 4DEG FLOOR	2.00
PSV/66/736	REAR SEAT CUSHION	4.00
PSV/66/737	REAR SEAT CENTRE CUSHION	1.00
PSV/57/545	REAR 5 CUSHION ATTACHMENT BRACKET	10.00
PSV/66/720	POLE CONNECTOR PRACTICO LOW BACKED R/H	4.00
PSV/61/249	POLE CONNECTOR PRACTICO LOW BACKED L/H	5.00
PSV/66/733	PRACTICO LOW BACKED DOUBLE FOR O/S	1.00
PSV/66/734	TIP UP SEAT - LAZZERINI SLIMLINE	2.00
PSV/66/738	REAR 5 SQUAB	4.00
PSV/66/739	REAR 5 CENTRE SQUAB	1.00
PSV/65/852	MIDI WHEELCHAIR BUMP PAD MOQUETTE	1.00



Lazzerini Practico Saloon Seating Kit : SCS-00920-4

MAIN SALOON					
ID	No. Req'd	SEAT	ARM REST	LEG	BRACKET
1	1	SEL-00742-1	HINGED	SEL-00696-1	SEL-00734-1
2	4	SEL-00743-1	--	SEL-00696-1	SEL-00734-1
3	2	SEL-00744-1	--	SEL-00701-1	SEL-00735-1
4	1	SEL-00745-1	--	SEL-00702-1	SEL-00736-1
5	2	SEL-00746-1	--	SEL-00701-1	SEL-00735-1
6	1	SEL-00747-1	--	SEL-00702-1	SEL-00736-1
7	1	SEL-00748-1	EMG. EXIT	SEL-00696-1	SEL-00696-1
8	1	SEL-00749-2	--	SEL-00696-1	SEL-00750-2
9	1	SEL-00751-1	HINGED	SEL-00696-1	SEL-00734-1
10	1	SEL-00786-1	--	SEL-00696-1	SEL-00734-1

Also included in kit : SEL-00155 x 4 & SEL-00156 x 5 H'Pole Clamps.

REAR 5		
11	4	SEM-03523-1
12	1	SEM-03525-2
13	4	SEM-03524-2
14	1	SEM-03526-2

Also included in kit : SEM-03507 x 10 Attachment Bkts.

TIP-UPS		
15	2	SEL-00847-1

BUMP-PAD		
16	1	HBP-00266-1

SEATRIL CAPPING & ENDCAP DETAIL			
i.D. No.	DRAWING No.:	No./Job	DESCRIPTION:
★	PMF-01253	2	Right-Hand Millenium seatrail end-cap
★	PMF-01190	2	Right-Hand Millenium seatrail end-cap
★	PMF-01191	2	Left-Hand Millenium seatrail end-cap
■	PMF-00014	3	Seatrail Infill 3.7m per length

Job Number: AE216-217 - WB MIDI 9.5m Euro 5
 Customer Drawing Number: CUS-02243-2
 Trim: Austria Velours Mammut 6206
 Saloon Seating Type: Lazzerini Practico Lowback
 Cushions & Squabs (Rear 5): Cushions & Squabs

Please ensure that all priority seats and those positioned immediately behind bulkheads have a minimum of 280mm clear space, to meet Bus Directive requirements. A minimum of 650mm is also required between seatbacks up to a height of 620mm.
 Please ensure that on priority seats a minimum of 150mm clear floor space on either side of the centre line of the seat cushion.
 Please ensure that the tip up bump pad is fitted 375mm to the centre of the bump pad from the start of the radius on the floor cove. Bump Pad surface must be between 4 & 8°.

INTERIOR - SALOON SEATS

W14-03250

W14-03315

INTERIOR - BUS STOPPING SIGN BACKLIT RED

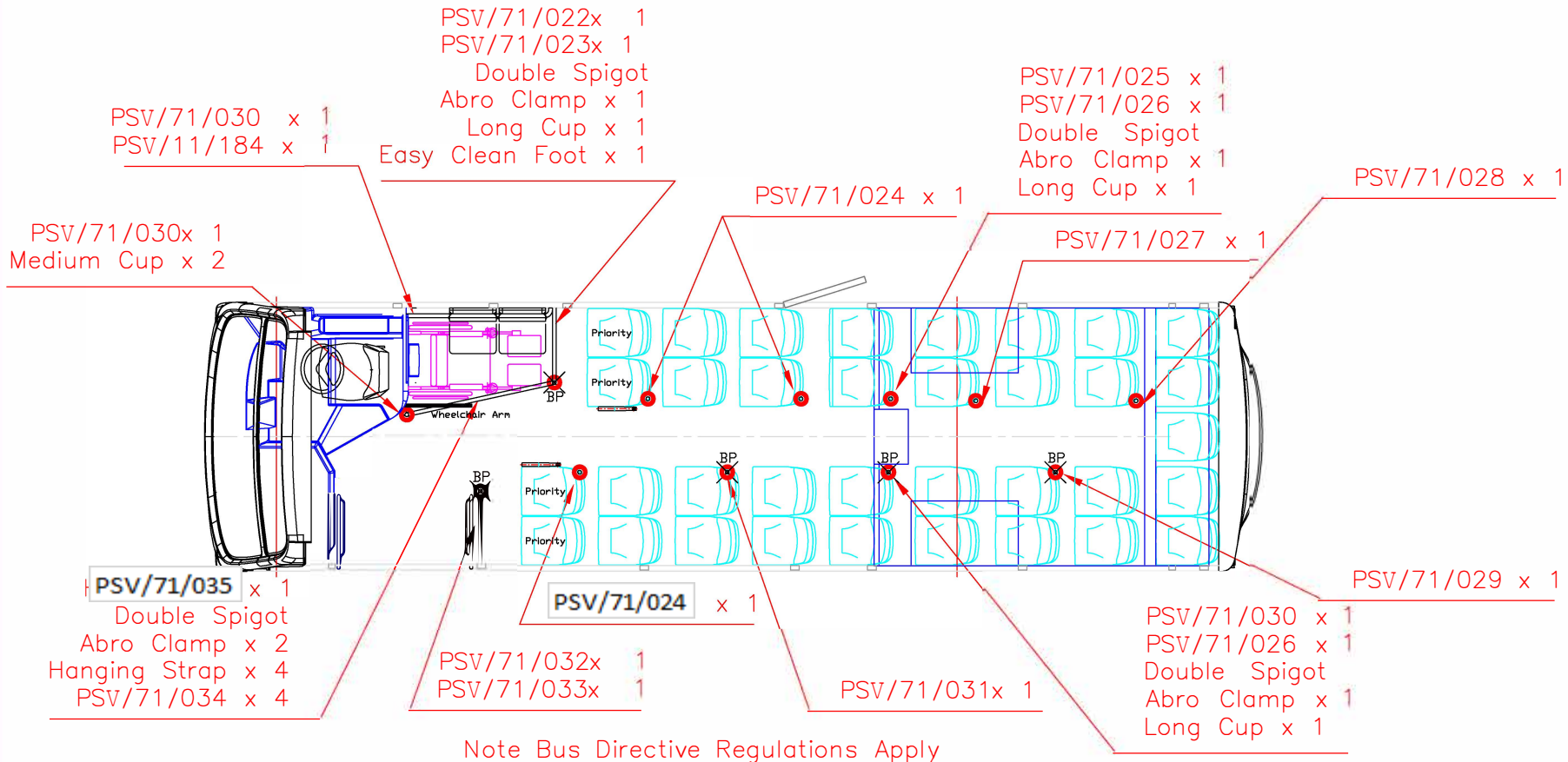
Stock Number	Description	Quantity
PSV/10/994	LED BUS STOPPING SIGN TOP LIT "RED"	1.00

W14-03390

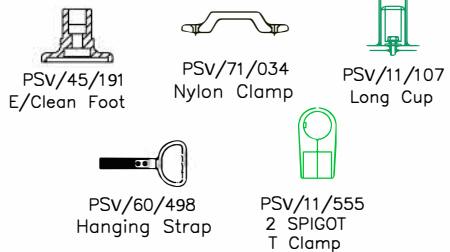
INTERIOR - HANDRAILS - WB-MIDI/CUS-2243

Stock Number	Description	Quantity
PSV/65/895	HANDRAILS - KIT TO SUIT WB MIDI	1.00
PSV/65/901	CURVED N/S SEAT TO ROOF H'RAIL C/W BP	1.00
PSV/65/902	CURVED N/S HANDRAIL C/W BELL PUSH	1.00
PSV/65/903	850MM SEAT SAFETY BACK HANDRAIL	2.00
PSV/65/904	CURVED N/S SEAT TO ROOF H'RAIL C/W BP	1.00
PSV/65/905	CURVED O/S SEAT TO ROOF HANDRAIL	1.00
PSV/65/906	CURVED O/S SEAT TO ROOF HANDRAIL	1.00
PSV/65/907	CURVED O/S SEAT TO ROOF HANDRAIL	1.00
PSV/65/908	O/S CURVED SEAT TO ROOF HANDRAIL	3.00
PSV/65/896	O/S HANDPOLE PARTITION TO SUIT MIDI	1.00
PSV/65/897	460MM STRAIGHT RAIL	1.00
PSV/65/898	O/S HORIZONTAL W/C USER POLE	1.00
PSV/11/184	35mm BLACK PLASTIC END CAP	1.00
PSV/65/899	DRIVERS PARTITION HANDRAIL	1.00
PSV/65/900	HANGING STRAP HANDRAIL	1.00
PSV/11/555	T CLAMP TWO SPIGOT	5.00
PSV/45/191	NEW EASY CLEAN FOOT ROOF / FLOOR	1.00
PSV/60/498	HANGING STRAP - DDA	4.00
PSV/66/358	NYLON CLAMP FOR HANGING STRAP	4.00
PSV/11/531	JUKOVA GLASS SCREEN HOLDER	2.00
PSV/13/668	CURVED BACK GLASS CL	2.00
PSV/10/942	FLAT BACK GLASS CLAMP	2.00
PSV/11/107	STANCHION CUPS LARGE: LARGE DIA	3.00
PSV/54/063	ALUM ACCESSORY TOGGLE M8	22.00
PSV/65/672	SPEAKER CABLE	8.00
PSV/62/856	SPEAKER CABLE	40.00
PSV/42/317	PRE INS. TERMINALS	12.00
PSV/12/946	620mm LONG 60mm Dia BUMP PAD	2.00
PSV/11/188	BUMP PAD FINISHER TO SUIT 620mm PAD	2.00
PSV/12/002	BELL PUSH GREY/RED BUTTON	5.00
PSV/65/801	PLANT ON BELL PUSH - YELLOW/BLUE-W/CHAIR	1.00
PSV/11/144	STANCHION CUPS MEDIUM: LARGE DIA	2.00
PSV/66/841	WHEELCHAIR MANUAL ARM ASSY TO SUIT MIDI	1.00
PSV/11/184	35mm BLACK PLASTIC END CAP	1.00
PSV/66/842	WHEELCHAIR ARM POLE	1.00
PSV/66/843	WHEELCHAIR ARM END BOSS	1.00
PSV/66/844	WHEELCHAIR ARM FRONT RECEPTACLE	1.00
PSV/66/845	WHEELCHAIR ARM BACK RECEPTACLE	1.00
PSV/66/846	WHEELCHAIR ARM TENSION PLATE	1.00
PSV/66/847	WHEELCHAIR ARM BRACKET	1.00
PSV/66/848	WHEELCHAIR ARM BRACKET GUSSET	2.00
PSV/66/849	W'CHAIR ARM HELICAL COMPRESSION SPRING	1.00
PSV/65/783	MIDI FRONT PARTITION GLASS	1.00
PSV/66/627	FRONT PARTITION GLASS CLAMP BRACKET	2.00
PSV/65/851	HANDRAIL TOP SOCKET TO SUIT MIDI	1.00
PSV/66/632	N/S FRONT PARTITION TO SUIT MIDI	1.00
PSV/66/426	INTERIOR PARTITION LININGS	1.00

JOB No AE489-493/AE499-503 WRIGHTBUS MIDI MISTRAL



INTERIOR - HANDRAILS
W14-03390



No more than 1050mm (longitudinally) between handpoles.
 All Bell Pushes must be no higher than 1200mm from floor.
 All handrails to have 40mm clearance all round.
 Ensure bump pad fitted centrally in space,
 (375 out from edge of floor curve).
 Ensure bump pad fitted with surface between
 4 & 8" and within required space.
 No more than 300mm between hanging straps.
 W/Chair Body rail to be fitted no more than
 1000mm & no less than 850mm from floor

Handrail Details: R03-MS-SM
Handrail Colour: Signal Red RAL 3001
Handrail Finish: Smooth M/Steel Tube
Handrail Coating: Polyurethane Coated
Customer Drawing No: CUS-02243-2
Handrail Kit: HGK-00036-6
Bell Pushes: Stanchion Grey/Red (Braille type),
 W/Chair Yellow/Blue.

W14-03502

INTERIOR - DRIVERS COAT HOOK & STRAP

Stock Number	Description	Quantity
PSV/11/523	COAT HOOK - DOUBLE	1.00
PSV/45/530	VELCRO LOOP STRIP BLACK 25MM	0.30

W15-00446

GLAZING - WINDSCREEN STANDARD

Stock Number	Description	Quantity
PSV/65/773	DESTINATION GLASS, NON-HEATED	1.00
PSV/65/774	WINDSCREEN, NON-HEATED	1.00
PSV/11/521	INTG MIDI DEST SCREEN GASKET	1.00
PSV/43/954	INTG MIDI SCREEN GASKET	1.00
PSV/43/951	FRONT SCREEN FILLER STRIP	5.00
PSV/43/951	FRONT SCREEN FILLER STRIP	7.00

W15-00446
GLAZING - WINDSCREEN

PSV/70/944
Destination Screen Glass

PSV/11/521
Destination Screen Gasket



PSV/70/945
Front Windscreen

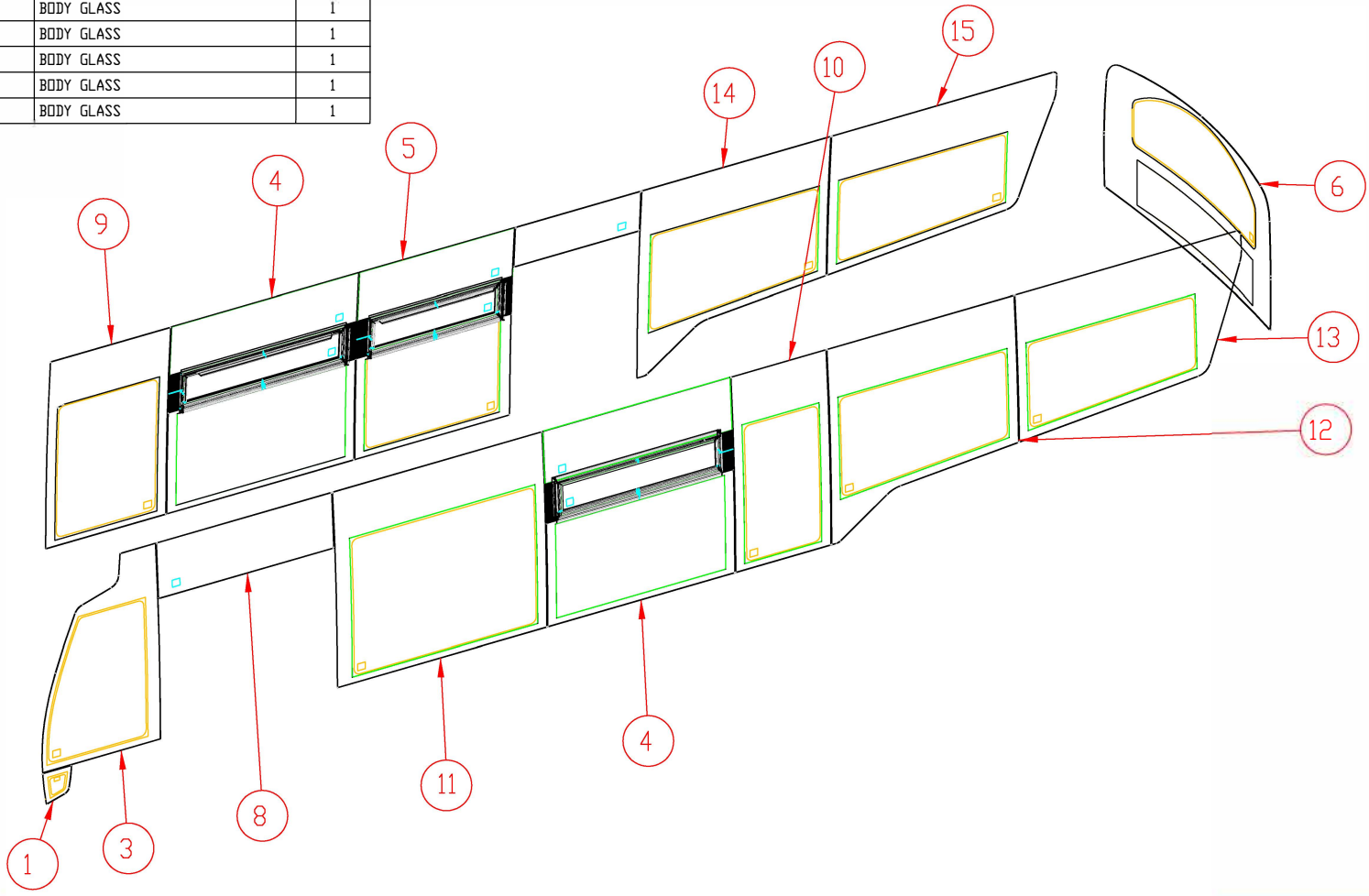
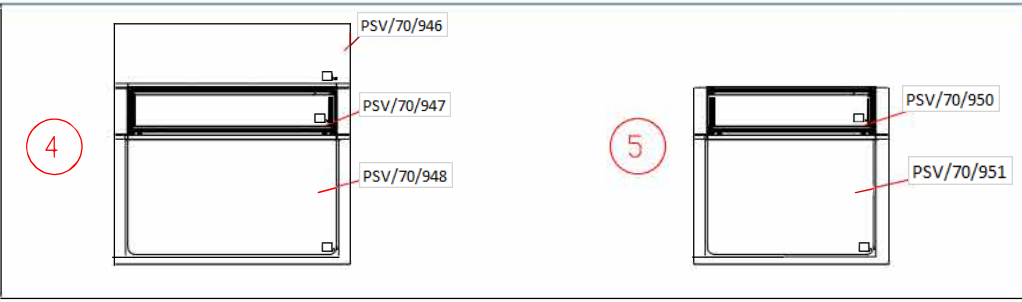
PSV/43/954
Front Windscreen Gasket

W15-00464

GLAZING BASIC ASSEMBLY 9.5 GREEN 4MM S/G

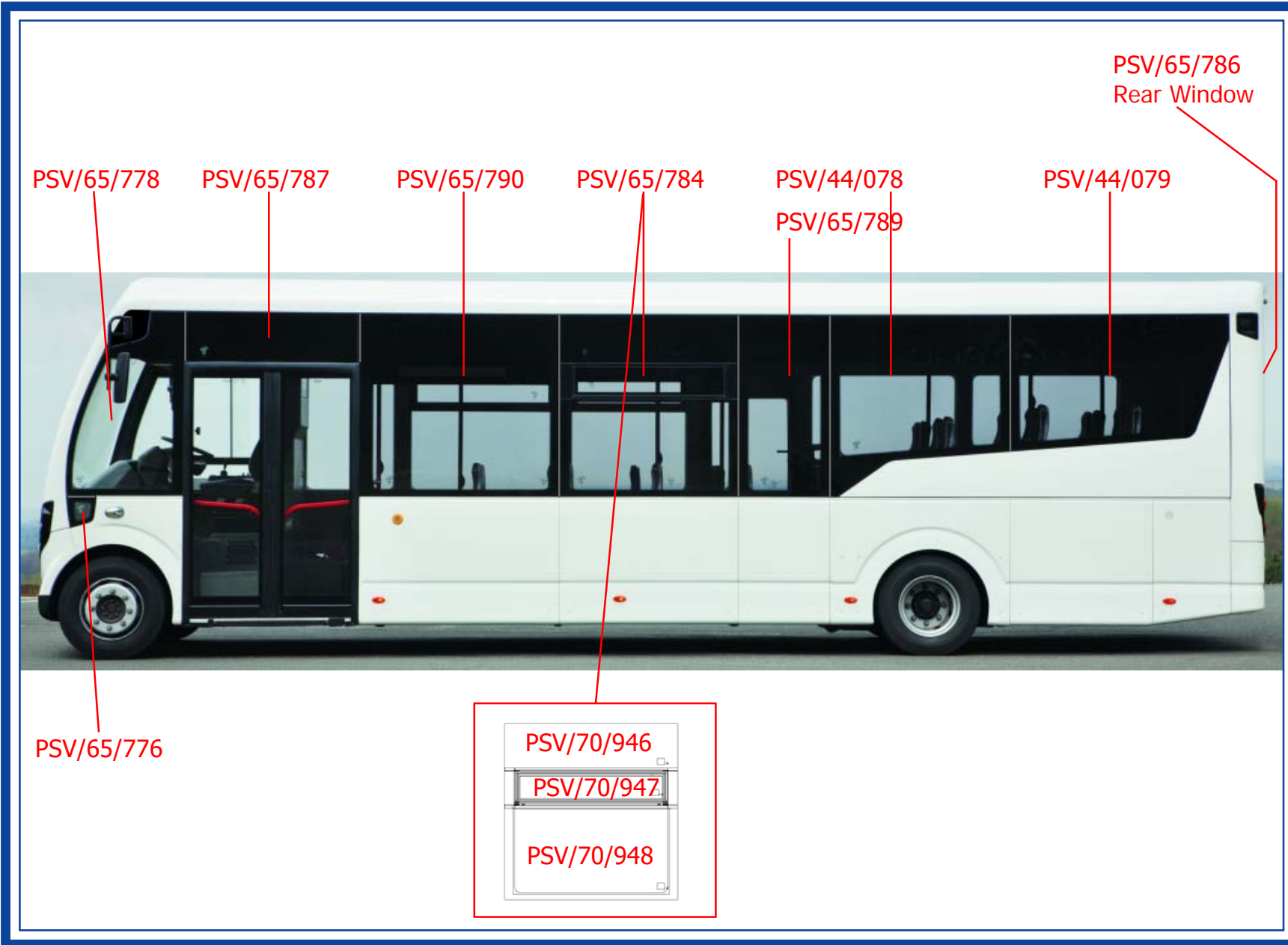
Stock Number	Description	Quantity
PSV/65/772	GREEN GLASS KIT,MIDI SINGLE GLAZED 9.5	1.00
PSV/65/788	BODY GLASS,	1.00
PSV/65/789	BODY GLASS,	1.00
PSV/44/077	BODY GLASS,	1.00
PSV/65/790	BODY GLASS,	1.00
PSV/44/078	BODY GLASS,	1.00
PSV/44/079	BODY GLASS,	1.00
PSV/44/080	BODY GLASS,	1.00
PSV/44/081	BODY GLASS,	1.00
PSV/65/787	BODY GLASS MIDIBUS	1.00
PSV/62/284	SIKA AKTIVATOR 1 LITRE	0.25
PSV/62/285	SIKATAACK MOVE TRANS. 600 ML SAUSAGE BLK.	20.00
PSV/62/285	SIKATAACK MOVE TRANS. 600 ML SAUSAGE BLK.	7.00
PSV/62/286	SIKA 206 G+P PRIMER 1 LITRE TIN	0.08
PSV/65/262	SIKA 215 ABS PRIMER	0.25
PSV/65/776	MIDIBUS 1/4 LIGHT TAB	1.00
PSV/65/777	MIDIBUS DSU TAB	1.00
PSV/65/778	MIDIBUS 1/4 LIGHT WINDOW	1.00
PSV/65/784	MIDIBUS HOPPER UNIT AUTOMOTIVE GREEN	2.00
PSV/65/792	REPLACEMENT GLASS,	1.00
PSV/65/793	REPLACEMENT GLASS,	1.00
PSV/65/794	REPLACEMENT GLASS, INTEGRAL HOPPER	1.00
PSV/65/785	MIDIBUS HOPPER UNIT AUTOMOTIVE GREEN	1.00
PSV/65/786	BONDED REAR WINDOW, 2122 X 782MM	1.00
PSV/65/045	BREAK GLASS BUTTON	4.00
PSV/65/782	MIDIBUS HEATER INTAKE 1129 long	1.00
PSV/65/191	HOPPER WINDOW SEALING PLATE	2.00
PSV/65/288	ALUM SHT.2500x1250x1.2mm(18G)	0.00

Index	Part No.	Compnt Type	Description	Qty
1	PSV/65/776	PART	N/S DSU glass tab.	1
2	PSV/65/777	PART	D/S DSU GLASS TAB	1
3	PSV/65/778	PART	midibus quarter light	1
4	PSV/65/784	ASSEMBLY	HOPPER UNIT	2
5	PSV/65/785	ASSEMBLY	HOPPER UNIT	1
6	PSV/65/786	PART	Midi Rear End Glass	1
7	PSV/44/077	PART	BODY GLASS	1
8	PSV/65/787	PART	BODY GLASS	1
9	PSV/65/788	PART	BODY GLASS	1
10	PSV/65/789	PART	BODY GLASS	1
11	PSV/65/790	PART	BODY GLASS	1
12	PSV/44/078	PART	BODY GLASS	1
13	PSV/44/079	PART	BODY GLASS	1
14	PSV/44/080	PART	BODY GLASS	1
15	PSV/44/081	PART	BODY GLASS	1

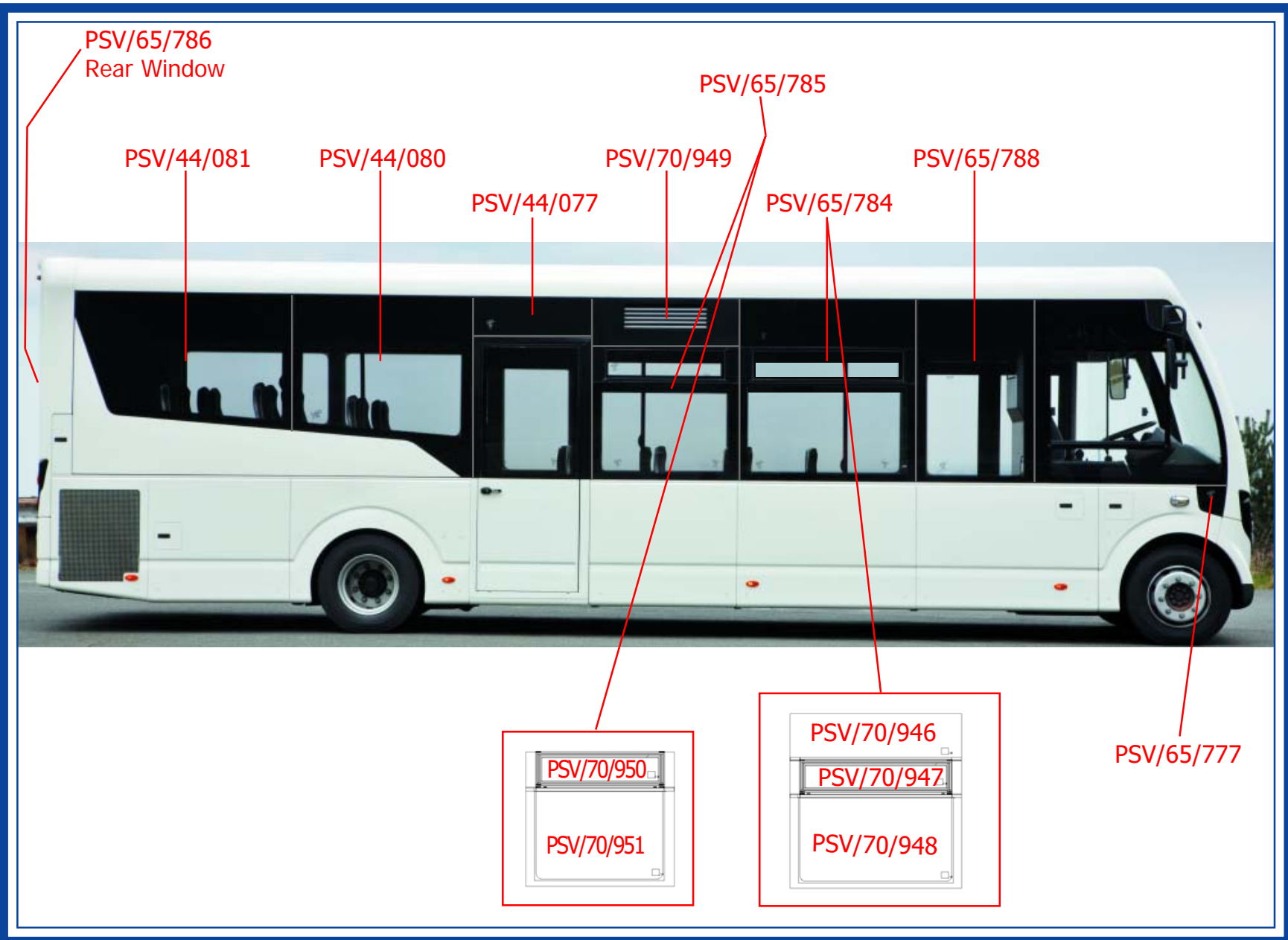


GLAZING - BASIC ASSEMBLY

W15-0)464



GLAZING - BASIC ASSEMBLY
W15-00464



W15-00464
GLAZING - BASIC ASSEMBLY

W15-00480

GLAZING - INTG MIDIBUS DSU MINI VARIANT

Stock Number	Description	Quantity
PSV/65/262	SIKA 215 ABS PRIMER	0.10
PSV/62/284	SIKA AKTIVATOR 1 LITRE	0.10
PSV/62/285	SIKATAACK MOVE TRANS. 600 ML SAUSAGE BLK.	1.00
PSV/62/285	SIKATAACK MOVE TRANS. 600 ML SAUSAGE BLK.	2.00
PSV/62/286	SIKA 206 G+P PRIMER 1 LITRE TIN	0.00
PSV/65/775	MIDI DSU GLASS CLEAR MIDI	1.00
PSV/65/779	MIDIBUS DSU CLEAR MINI VARIANT.	1.00
PSV/65/798	MIDIBUS DSU REPLACEMENT GLASS FRONT	1.00
PSV/65/799	MIDIBUS DSU REPLACEMENT GLASS REAR	1.00
PSV/51/643	MIDI DSU BREAKOUT BRACKET REAR	1.00
PSV/51/644	MIDI DSU BREAKOUT BRACKET FRONT	1.00
PSV/11/421	M6x30 - FLANGE SOCKET BUTTON SCREW - Z+B	4.00
PSV/65/741	M5x25 BLK.CSK.M/SCREW	6.00
PSV/65/037	M5 CAD.NYLOC HEX NUT	6.00
PSV/65/758	3/16^ FLAT BLK PLT WASHE	6.00
PSV/45/529	M5 BLACK NUT COVERS	6.00
PSV/65/127	STREETLITE DSU GUTTER	1.00
PSV/37/867	ALUM.EXT.C'RAIL SPOUT 3.1M	0.30
PSV/65/128	ENT DOOR HEAD GUTTER 1275MM LONG	1.00
PSV/37/867	ALUM.EXT.C'RAIL SPOUT 3.1M	0.35

W15-00480

GLAZING - DRIVERS SIGNAL WINDOW



PSV/70/952
Drivers Sliding Window

PSV/70/955
Drivers Side Window

- * PSV/70/953
Replacement Front Sliding Glass
- * PSV/70/954
Replacement Rear Sliding Glass

W16-00662

FINISHING - COMMON PARTS - 9.5M MINI

Stock Number	Description	Quantity
PSV/66/437	NUMBER PLATE - FRONT	1.00
PSV/66/438	NUMBER PLATE - REAR	1.00
PSV/53/780	PRIMER- WASH ETCH F397E5	2.50
PSV/53/781	THINNERS - F368E5	2.50
PSV/66/698	PRIMER - 2 PACK D839E3	7.50
PSV/64/703	ACTIVATOR - NORMAL D841E3	1.50
PSV/66/699	PPG D837E5 SPIRIT WIPE	2.00
PSV/64/706	PPG-D845 HIGH STRENGTH DEGREASER	3.00
PSV/66/743	METAMARK MATT BLACK 1120MM-M7-M111	0.02
PSV/66/744	P-TOUCH TAPE 12mm BLACK ON WHITE	0.02
PSV/66/745	P-TOUCH TAPE 24mm WHITE ON RED	0.01
PSV/53/783	THINNERS - D812E5	2.25

W16-00663

PAINT TO SPEC - 9.5M MINI - STOCK LIVERY

Stock Number	Description	Quantity
PSV/66/704	PPG - PAINT WHITE DN DG - WRB.*0070	10.00
PSV/66/703	PPG - PAINT - 2K MATT BLACK - FLUK.9008T	2.00
PSV/64/703	ACTIVATOR - NORMAL D841E3	3.33
PSV/53/783	THINNERS - D812E5	3.33
PSV/66/701	THINNERS F3304E5	0.85
PSV/66/700	ACTIVATOR F3276E5	0.28
PSV/66/702	ACCELERATOR F3915E0.5 DELFLEET U.H.S	0.05

W16-00663

FINISHING - PAINT TO SPEC - STOCK LIVERY 9.5M

PART	DESCRIPTION	
PSV/66/704	WHITE PAINT DELTRON DETRON DIRECT GLOSS WRB0*0070	10 litres
PSV/66/703	2K SELEMIX SEMI-MAIT BLACK	1.5 litrs



W16-00664

FINISHING - LABELS - MINI 9.5M STOCK

Stock Number	Description	Quantity
PSV/66/434	EC LABELS KIT - 9.5m MINI - STOCK	1.00
PSV/47/848	LABELS - REG 107 COMPLIANT DDA LOGO	1.00
PSV/47/849	LABELS - REG 107 REDUCED MOBILITY LOGO	3.00
PSV/47/832	LABELS - EMG. EXIT IN EMG.(DOUBLE SIDED)	4.00
PSV/13/315	LABELS - EMERGENCY EXIT (DOUBLE SIDED)	4.00
PSV/47/847	LABELS - 2008 INTERIOR DOME BREAK GLASS	1.00
PSV/66/443	LABELS - CLEAR SQUARES FOR HANDRAILS	8.00
PSV/13/314	LABELS - EMG. DOOR INST. (DOUBLE SIDED)	1.00
PSV/13/411	WRIGHT BADGE NEW	1.00
PSV/47/831	LABELS - PUSH/PULL TO OPEN(DOUBLE SIDED)	2.00
PSV/47/825	LABELS - MANUAL RAMP S.W.L.	1.00
PSV/47/826	LABELS - PASSENGERS MUST NOT:	1.00
PSV/66/444	^TOWING INSTRUCTION LABEL	1.00
PSV/63/960	^HANDBRAKE LABEL	1.00
PSV/63/964	LABELS - EMERGENCY SWITCH - RED / WHITE	1.00
PSV/62/055	LABELS - EMERGENCY SWITCH LAB.-(ORANGE)	1.00
PSV/47/827	LABELS - BREAK GLASS ROUNDALL	4.00
PSV/66/439	POWER OFF SWITCH LABEL TO SUIT DAF	1.00
PSV/66/440	LABELS - VIN PLATE - 1.5% DIP BEAM ALIGN	1.00
PSV/66/441	LABELS - UNECE REGULATION PLATE	1.00
PSV/66/442	LABELS - ECWVTA SPEEDLIMITER PLATE	1.00
PSV/47/852	REG 107 DDA INSTRUCTION RIGHT HAND	1.00

W17-00321

ELECTRICAL - MIDI BASIC ASSEMBLY

Stock Number	Description	Quantity
PSV/65/156	DIAGNOSTIC MOUNTING PANEL	1.00
PSV/62/312	ALUM SHT .2500x1250x2MM (14g.)	0.00
PSV/65/157	MULTITONE BUZZER BRACKET	1.00
PSV/65/283	ALUM ANGLE 100x50x3mm (5M)	0.04
PSV/36/961	10 WAY BLOCK CONNECTOR	1.00
PSV/65/220	MIDI ELECTRICAL PANEL ASSEMBY	1.00
PSV/65/678	MIDIBUS ELECTRICAL PANEL	1.00
PSV/63/041	M5 - FLANGED NUTSERT	26.00
PSV/65/221	MIDI BUS TOP FRONT ELECTRICAL PANEL	1.00
PSV/65/222	MIDI REAR ELECTRICAL PANEL	1.00
PSV/65/224	MIDI REAR ELECTRIC PANEL	1.00
PSV/63/041	M5 - FLANGED NUTSERT	11.00
PSV/63/043	M6 CSK NUTSERT	4.00
PSV/65/223	BATTERY ISOLATOR MOUNTING BRACKET	1.00
PSV/36/965	MIDI BUS REAR ELECT PANEL BRACKET	2.00
PSV/65/225	N/S FRONT ELECTRICAL PANEL BRACKET	1.00
PSV/65/226	O/S FRONT ELECTRICAL PANEL BRACKET	1.00
PSV/42/302	GRIPTONE BOOSTER SOCKET	1.00
PSV/42/309	PANEL PLUG 3+E	1.00
PSV/42/312	PJ1 JOINTING BOX	3.00
PSV/42/312	PJ1 JOINTING BOX	1.00
PSV/11/030	BELL - 24V HEAVY DUTY	2.00
PSV/19/753	TWO WAY WATER PROOF RECEPTACLE	2.00
PSV/19/733	1mm PIN CRIMP	4.00
PSV/04/024	MULTITONE BUZZER 10-28V	1.00
PSV/42/347	CRIMP LUG CTT 16/10	2.00
PSV/65/669	AUTOMARINE 16MM BLACK CABLE	0.05
PSV/42/359	COMMS PLUG DUST CAP	1.00
PSV/19/776	LOCK WEDGE RECEPTACLE	2.00
PSV/11/557	CPU WAKE-UP BOARD	1.00
PSV/42/397	HEAT PROTECTIVE SLEEVING	0.50
PSV/11/790	24V MODULAR FUSE BOARD SERIES 1 (MFB-S1)	1.00
PSV/42/399	24V MODULAR FUSE BOARD SERIES 1 (MFB-S1)	1.00
PSV/62/862	24V MODULAR FUSE BOARD BUSBAR	2.00
PSV/15/776	HEAT SLEEVING 80MMX1000MM	1.00
PSV/65/679	HORN	1.00
PSV/02/107	LIGHT MONITORING UNIT 6 CHANNEL	1.00
PSV/65/680	24V POWER DISTRIBUTION BOARD SERIES 1	1.00
PSV/65/683	KISSLING 400A BATTERY ISOLATOR	1.00
PSV/10/913	KISSLING 200A BATTERY MASTER SOLENOID	1.00
PSV/10/949	KISSLING 120A IGNITION SOLENOID	1.00
PSV/11/627	KISSLING REAR START/STOP CONTROL	1.00
PSV/65/684	50mm CABLE GLAND	2.00
PSV/42/475	Multilock 070 socket	20.00
PSV/42/476	12-way Multilock 070	1.00
PSV/42/477	18-way Multilock 070	1.00
PSV/42/490	DEUTSCH DTM 2 WAY PLUG	1.00
PSV/42/491	DEUTSCH DTM TERMINAL (SOCKET)	5.00
PSV/42/492	DEUTSCH DTM WEDGE (2 WAY PLUG)	1.00

W17-00321

ELECTRICAL - MIDI BASIC ASSEMBLY

Stock Number	Description	Quantity
PSV/42/493	DEUTSCH DTM 3 WAY PLUG	1.00
PSV/42/494	DEUTSCH DTM WEDGE (3 WAY PLUG)	1.00
PSV/02/108	LARGE NODE FOR MULTIPLEX ELECTRICAL SYS	3.00
PSV/42/860	ZR32A-CPU - NOTE: MUST BE PROGRAMMED	1.00
PSV/42/867	50x50mm OPEN SLOT TRUCKING 2M LONG	2.00
PSV/42/869	80x60 SLOTTED TRUNKING WITH LID (GREY)	2.50
PSV/42/869	80x60 SLOTTED TRUNKING WITH LID (GREY)	1.00
PSV/33/126	24V SPCO RELAY 10A/20A	8.00
PSV/125/094	DOOR MICROSWITCH - ADJUSTABLE ARM LENGTH	1.00
PSV/11/441	MUX OUTPUT RESET SWITCH YELLOW	1.00
PSV/11/169	110 DEG C THERMAL SWITCH	1.00
PSV/11/169	110 DEG C THERMAL SWITCH	1.00
PSV/10/1003	150 DEG C THERMAL SWITCH	2.00
PSV/65/694	MIDIBUS BATTERY BOOST LOOM	1.00
PSV/65/695	MIDIBUS MAIN PANEL POWER LOOM	1.00
PSV/65/696	MIDIBUS CHASSIS POWER LOOM (MINI)	1.00
PSV/65/697	MIDIBUS FRONT END LOOM	1.00
PSV/65/698	MIDIBUS STARTER-ALTERNATOR LOOM	1.00
PSV/65/700	MIDIBUS O/S ROOF LOOM	1.00
PSV/65/701	MIDIBUS CAB ROOF LOOM	1.00
PSV/65/702	MIDIBUS FRONT PANEL LOOM (MINI)	1.00
PSV/65/703	MIDIBUS CHASSIS LOOM (MINI)	1.00
PSV/65/704	MIDIBUS ENGINE BAY LOOM	1.00
PSV/65/705	MIDIBUS REAR PANEL LOOM	1.00
PSV/65/706	MIDIBUS ENGINE SKID LOOM	1.00
PSV/65/707	MIDIBUS BATTERY LOOM	1.00
PSV/65/708	MIDIBUS N/S ROOF LOOM	1.00
PSV/43/665	NYLON 66 SCREW RIVET - BLACK	20.00
PSV/45/039	2-1/2 VACUFLEX HOISING	2.00
PSV/45/040	1 3/4" VACUFLEX HOISING - GREY	2.00
PSV/47/565	LABELS KIT - ELECTRICAL - D/DECK EURO4	1.00
PSV/63/951	CPU - LABEL	1.00
PSV/63/945	NODE 2B-1.1 - LABEL	1.00
PSV/63/946	NODE 2B-1.2 - LABEL	1.00
PSV/63/948	NODE 2B-2.1 - LABEL	1.00
PSV/63/949	NODE 2B-2.2 - LABEL	1.00
PSV/63/952	KIBES COMMS LABEL - ELECTRICAL	1.00
PSV/63/950	SOCKET	1.00
PSV/63/953	CPU WAKE UP BOARD LABEL - ELECTRICAL	1.00
PSV/63/954	INDICATOR RESISTORS LABEL - ELECTRICAL	1.00
PSV/66/436	BPS ELECTRICAL LABEL	1.00
PSV/66/435	BODY BUILDER INTERFACE	1.00
PSV/63/947	NODE 2B-1.3 - LABEL	1.00
PSV/63/955	BODY + ELECTRICAL LABEL	1.00
PSV/63/956	BODY + 30 ELECTRICAL LABEL	1.00
PSV/65/685	300MM EARTH STRAP	1.00

W17-00344
ELECTRICAL - FA ADD WIRING HARNESS PARTS

Stock Number	Description	Quantity
PSV/65/673	50/8 COPPER TUBE TERMINAL	1.00
PSV/65/686	POSITIVE BATTERY TERMINAL	1.00
PSV/65/687	NEGATIVE BATTERY TERMINAL	1.00
PSV/65/688	7.5 x 15 RUBBER BOOT	2.00
PSV/62/876	6 X 11 RUBBER BOOT	2.00
PSV/42/497	25 WATT 220 OHM RESISTOR	1.00
PSV/22/074	RED BATTERY TERMINAL COVER	1.00
PSV/22/073	BLACK BATTERY TERMINAL COVER	1.00
PSV/62/898	16/8 LUGS AUTOMARINE PART CTT16/8	1.00
PSV/65/692	CT70 M6 CRIMP PACK (PACK OF 100)	1.00

W17-00361

ELECTRICAL - STANDARD FUSE KIT

Stock Number	Description	Quantity
PSV/62/847	LUCAS 15A BLADE FUSE BLUE	18.00
PSV/62/848	CFB410 W25 FUSE 10A RED	2.00
PSV/62/849	LUCAS 7.5A BLADE FUSE BROWN	3.00
PSV/19/255	3 AMP BLADE FUSE	14.00
PSV/62/852	5A STD.BLADE FUSE	6.00
PSV/19/253	1A STANDARD BLADE FUSE	7.00
PSV/19/267	20A MAXI BLADE FUSE	2.00