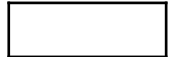


W12-00326

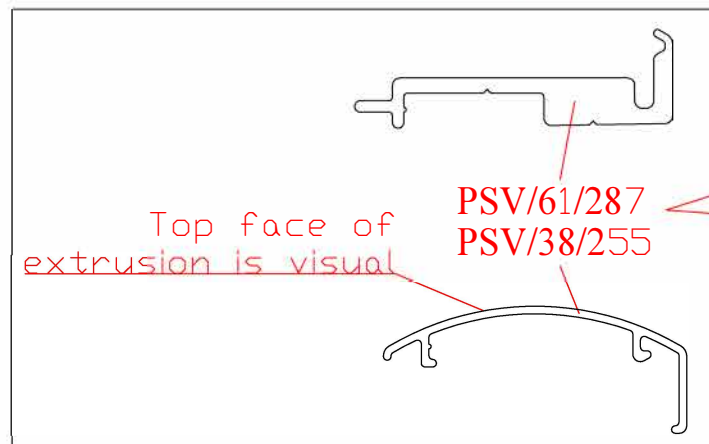
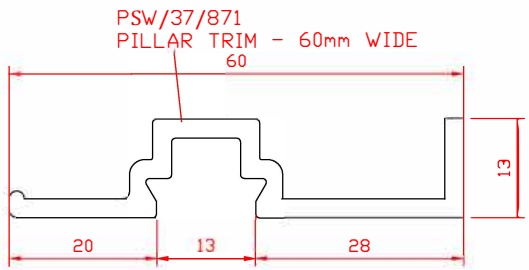
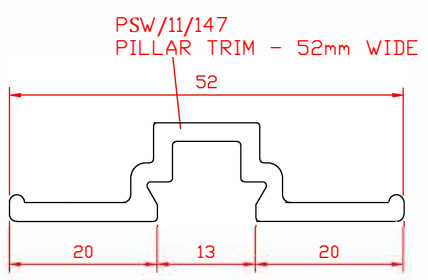
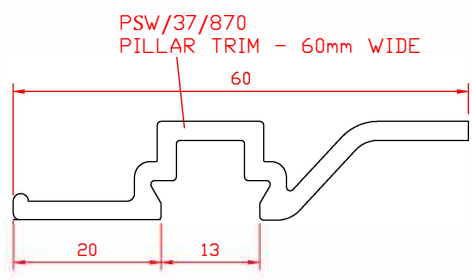
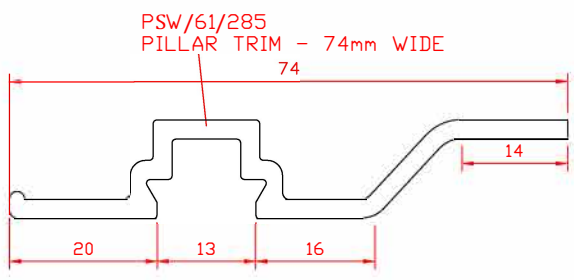
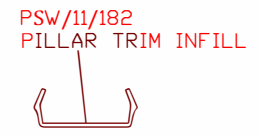
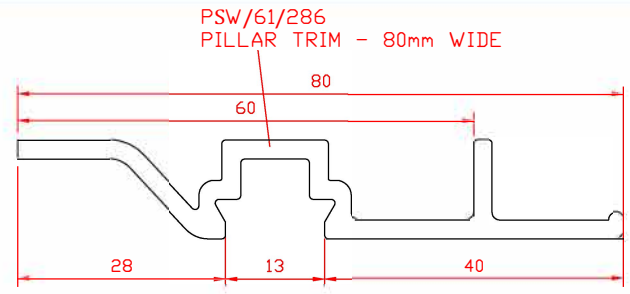
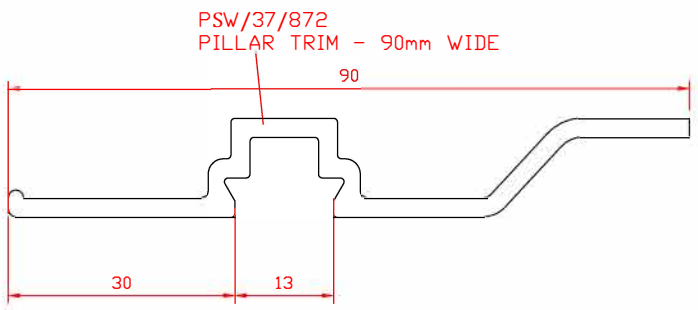
SHEETMETAL - BASIC ASSEMBLY, E200



| Stock Number | Description | Quantity |
|--------------|--|----------|
| PSV/99/073 | SHEETMETAL KIT - SB200 | 1.00 |
| PSV/135/032 | D DECK O/S SIDE PANEL - 1407mm | 1.00 |
| PSV/36/466 | N/S FRONT WHEELARCH PANEL - E200 | 1.00 |
| PSV/36/468 | SIDE SHEETMETAL PANEL - 1327mm | 1.00 |
| PSV/36/469 | BODY SIDE SHEETMETAL PANEL - 850.5MM | 1.00 |
| PSV/36/470 | BODY SIDE SHEETMETAL PANEL - 1079.5mm | 1.00 |
| PSV/36/471 | SB200 N/S REAR WHEELARCH PANEL | 1.00 |
| PSV/99/074 | SIDE SHEETMETAL PANEL - 1436.5mm | 1.00 |
| PSV/36/473 | SIDE SHEETMETAL PANEL EMG DOOR - SB200 | 1.00 |
| PSV/36/474 | SIDE SHEETMETAL PANEL - 1083.5mm | 1.00 |
| PSV/36/475 | O/S REAR WHEELARCH - SB200 | 1.00 |
| PSV/36/477 | BATTERY PANEL - SB200 MIL | 1.00 |
| PSV/99/075 | BATTERY PANEL DOOR - SB200 | 1.00 |
| PSV/54/106 | HINGE PANEL STRUT BRACKET | 1.00 |
| PSV/99/100 | BATTERY DOOR STRENGTHENER | 1.00 |
| PSV/60/186 | DOOR STRUT BRACKET | 1.00 |
| PSV/58/087 | SEALED LEVER LATCH | 1.00 |
| PSV/10/899 | STAY - TELESCOPIC HEAVY DUTY | 1.00 |
| PSV/99/101 | TOP HINGE BAR TO SUIT A12-01328 | 1.00 |
| PSV/99/102 | BOTTOM HINGE BAR TO SUIT A12-01328 | 1.00 |
| PSV/99/103 | ACCESS DOOR SUPPORT TUBE | 1.00 |
| PSV/99/104 | ACCESS DOOR SUPPORT TUBE | 1.00 |
| PSV/99/105 | ACCESS DOOR SUPPORT TUBE | 1.00 |
| PSV/54/129 | 1in.SQUARE PLASTIC END CAPS | 2.00 |
| PSV/36/478 | TOP CAPPING PIECE @ BATTERY PANEL | 1.00 |
| PSV/36/481 | SIDE SHEETMETAL PANEL - B7L12M | 1.00 |
| PSV/36/508 | SIDE SHEETMETAL PANEL - E200 | 1.00 |
| PSV/36/509 | REAR SHEETMETAL PANEL E200 | 1.00 |
| PSV/99/090 | REAR SHEETMETAL PANEL E200 | 1.00 |
| PSV/36/510 | SHEETMETAL PANEL E200 | 1.00 |
| PSV/36/555 | SIDE SHEETMETAL PANEL | 1.00 |
| PSV/54/095 | HINGE PANEL STRIKER PLATE | 4.00 |
| PSV/11/142 | SHEETMETAL BRACKET | 7.00 |
| PSV/11/155 | SIDE PANEL BRACKET | 2.00 |
| PSV/11/483 | COMMUTER SHEETMETAL ATTACHMENT BRACKET | 2.00 |
| PSV/11/696 | PANEL ATTACHMENT BRKT | 12.00 |
| PSV/99/106 | PANEL / DOOR ATTACHMENT BRACKETS | 1.00 |
| PSV/40/778 | PANEL / DOOR ATTACHMENT BRACKETS | 4.00 |
| PSV/99/107 | SHEETMETAL ATTACHMENT BRKT - 3 HOLES | 8.00 |

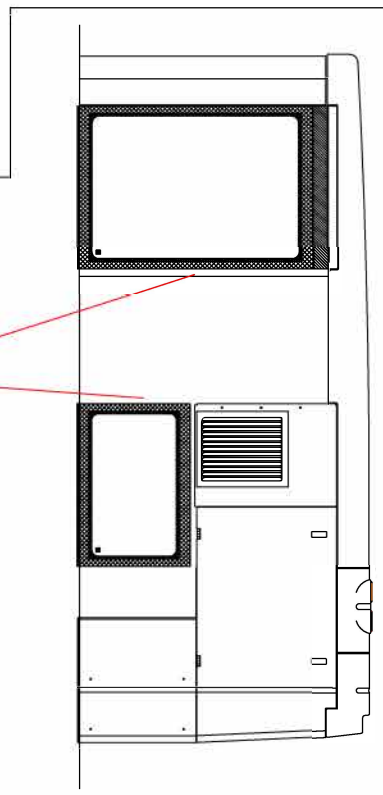


ALLOY
PILLAR TRIMS

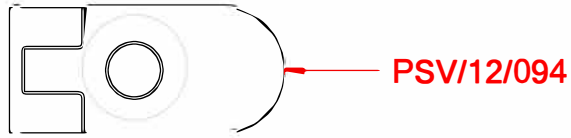


Top face of
extrusion is visual

These run the whole
length of the bus.



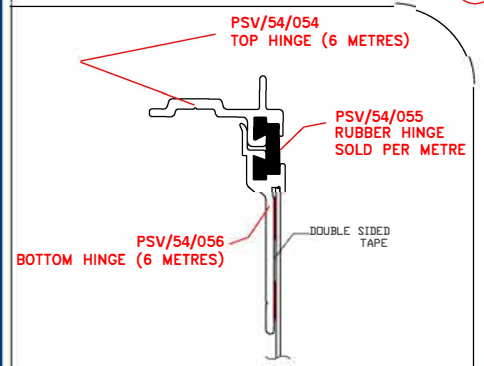
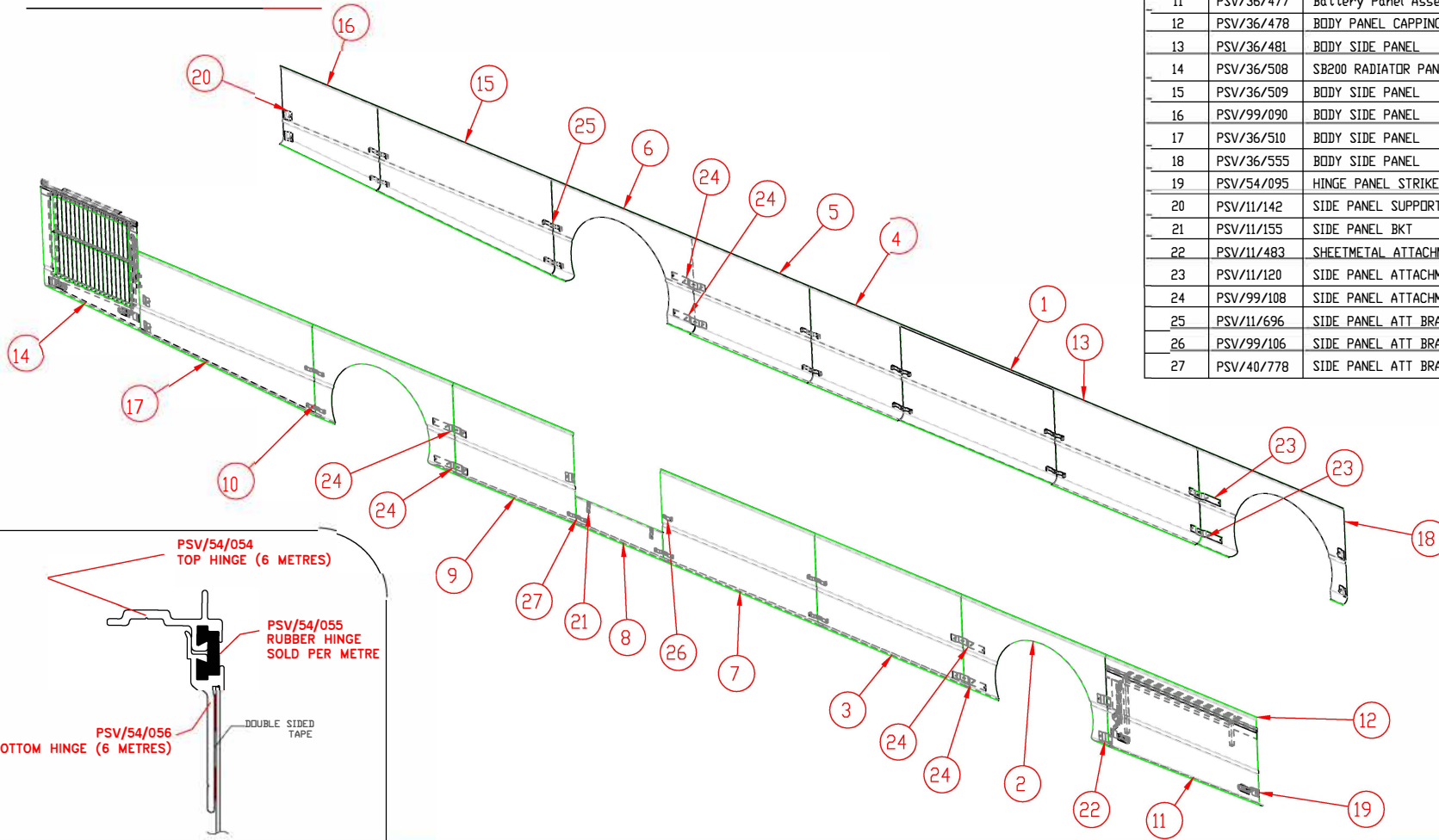
*NB: HINGED PANELS HAVE H/DUTY STAYS (PSV/10/899) AND 2 SOUTHCO SEALED LEVER LATCHES
 BLACK SIKA 260 (ADA-00027) IS USED ON PANELS WHICH HAVE STRENGTHENERS
 BETASEAL (ADA-00006) IS USED TO SEAL THE RADIATOR PANEL
 IF A PANEL IS REMOVED, BE SURE TO USE NEW M8x20 BOLTS (PSV/43/348) ON RE-ASSEMBLY
 IF REPLACING RADIATOR MESH, BE SURE TO USE GENUINE WRIGHTS PARTS FOR CORRECT AIR FLOW



**PSV/13/916
 BALLY RUBBER
 BOUGHT PER METRE**



| Index | Part No. | Description | Qty |
|-------|-------------|----------------------------|-----|
| 1 | PSV/135/032 | N/S SIDE PANEL | 1 |
| 2 | PSV/36/466 | BODY SIDE PANEL | 1 |
| 3 | PSV/36/468 | BODY SIDE PANEL | 1 |
| 4 | PSV/36/469 | BODY SIDE PANEL | 1 |
| 5 | PSV/36/470 | BODY SIDE PANEL | 1 |
| 6 | PSV/36/471 | BODY SIDE PANEL | 1 |
| 7 | PSV/99/074 | BODY SIDE PANEL | 1 |
| 8 | PSV/36/473 | BODY SIDE PANEL | 1 |
| 9 | PSV/36/474 | BODY SIDE PANEL | 1 |
| 10 | PSV/36/475 | BODY SIDE PANEL | 1 |
| 11 | PSV/36/477 | Battery Panel Assembly | 1 |
| 12 | PSV/36/478 | BODY PANEL CAPPING | 1 |
| 13 | PSV/36/481 | BODY SIDE PANEL | 1 |
| 14 | PSV/36/508 | SB200 RADIATOR PANEL | 1 |
| 15 | PSV/36/509 | BODY SIDE PANEL | 1 |
| 16 | PSV/99/090 | BODY SIDE PANEL | 1 |
| 17 | PSV/36/510 | BODY SIDE PANEL | 1 |
| 18 | PSV/36/555 | BODY SIDE PANEL | 1 |
| 19 | PSV/54/095 | HINGE PANEL STRIKER PLATE | 4 |
| 20 | PSV/11/142 | SIDE PANEL SUPPORT BRKT | 7 |
| 21 | PSV/11/155 | SIDE PANEL BKT | 2 |
| 22 | PSV/11/483 | SHEETMETAL ATTACHMENT BRKT | 2 |
| 23 | PSV/11/120 | SIDE PANEL ATTACHMENT BRKT | 2 |
| 24 | PSV/99/108 | SIDE PANEL ATTACHMENT BRKT | 6 |
| 25 | PSV/11/696 | SIDE PANEL ATT BRACKET | 12 |
| 26 | PSV/99/106 | SIDE PANEL ATT BRACKET | 1 |
| 27 | PSV/40/778 | SIDE PANEL ATT BRACKET | 4 |



W12-00326 - SHK-00319
SHEETMETAL - BASIC ASSEMBLY

