

INDEX

Sideframes
Assembly

01



Roof
Assembly

02



Front Frame
Assembly

03



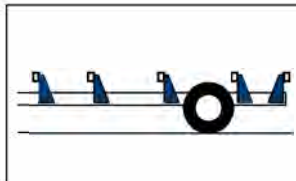
RearFrame
Assembly

04



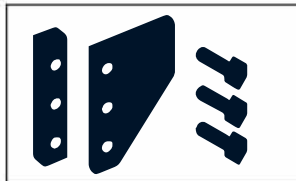
Chassis
Fitting

05



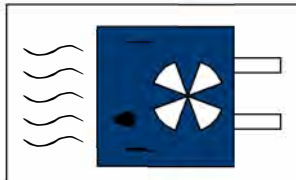
Erection

06



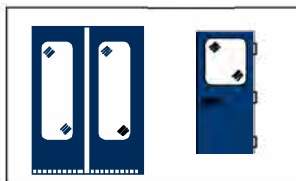
Heaters

07



Doors

08



Flooring

09



Exterior
Front end

10



Exterior
Rear end

11



Sheetmetal
Assembly

12



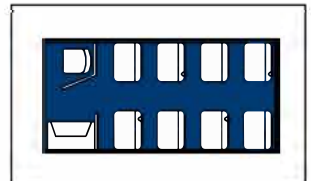
Interior
Front Dash &
Destination Equipment

13



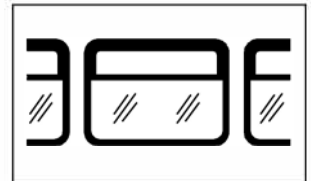
Interior

14



Glazing

15



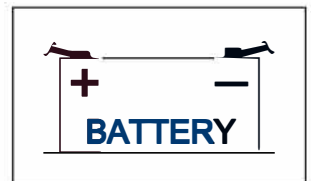
Finishing

16



Electrical

17



Service
&
Repair

18



W00-00122

FRONT WHEELS AND TYRES 315/60 R22.5



Stock Number	Description	Quantity
PSV/61/234	FRONT WHEEL & TYRE 315/60R22.5	2.00
- PSV/61/235	FRONT TYRE 315/60 R22.5	1.00
- PSV/61/236	FRONT RIM 22.5 X 9.00	1.00



W00-00123

WHEEL AND TYRE 275/70 R22.5



Stock Number	Description	Quantity
PSV/40/357	VALVE EXTENSION	2.00
PSV/62/758	CHASSIS WHEEL ASSEMBLY DRIVE AXLE NBFL	4.00

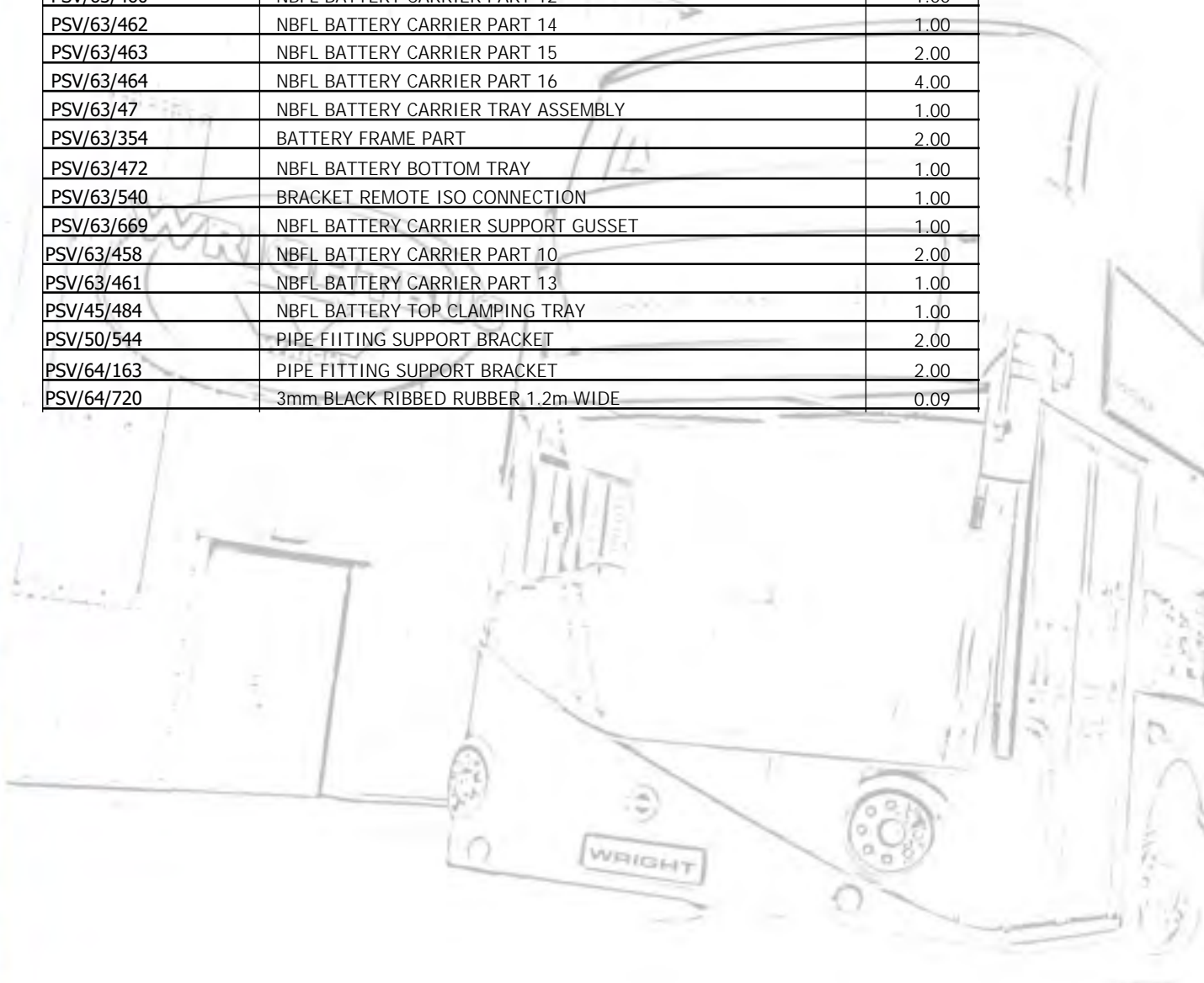


W00-00138

NBFL OPTIMA BATTERY FRAME

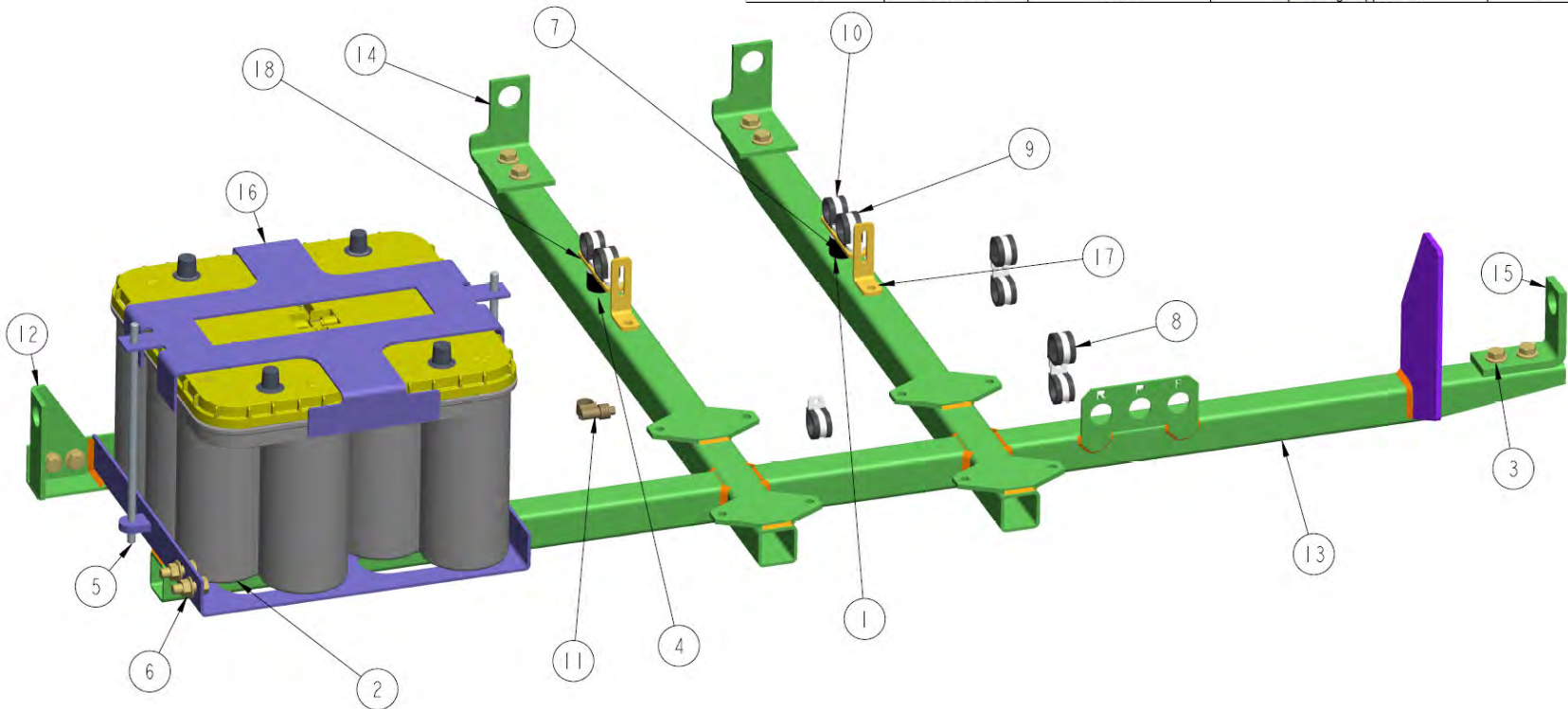


Stock Number	Description	Quantity
PSV/11/664	V2-25-20-N55 ISOLATING MOUNT	2.00
PSV/43/434	M8 THREADED BAR, 240 LONG	2.00
PSV/63/037	M10x1.5 FLANGE HEAD NUT G10, GEOMET 500	12.00
PSV/44/979	NORMA RSGUI 24/15 CLIP	1.00
PSV/63/280	NORMA RSGUI 22mm CLIP	3.00
PSV/63/287	19mm NORMA HOSE CLIP	5.00
PSV/63/296	BREEZE CT HOSE CLAMP 16-27MM	1.00
PSV/63/457	NBFL BATTERY CARRIER PART 6	1.00
PSV/62/054	NBFL BATTERY CARRIER SUPPORT FRAME	1.00
PSV/63/45	NBFL BATTERY CARRIER PART 3	1.00
PSV/63/459	NBFL BATTERY CARRIER PART 11	1.00
PSV/63/460	NBFL BATTERY CARRIER PART 12	1.00
PSV/63/462	NBFL BATTERY CARRIER PART 14	1.00
PSV/63/463	NBFL BATTERY CARRIER PART 15	2.00
PSV/63/464	NBFL BATTERY CARRIER PART 16	4.00
PSV/63/47	NBFL BATTERY CARRIER TRAY ASSEMBLY	1.00
PSV/63/354	BATTERY FRAME PART	2.00
PSV/63/472	NBFL BATTERY BOTTOM TRAY	1.00
PSV/63/540	BRACKET REMOTE ISO CONNECTION	1.00
PSV/63/669	NBFL BATTERY CARRIER SUPPORT GUSSET	1.00
PSV/63/458	NBFL BATTERY CARRIER PART 10	2.00
PSV/63/461	NBFL BATTERY CARRIER PART 13	1.00
PSV/45/484	NBFL BATTERY TOP CLAMPING TRAY	1.00
PSV/50/544	PIPE FITTING SUPPORT BRACKET	2.00
PSV/64/163	PIPE FITTING SUPPORT BRACKET	2.00
PSV/64/720	3mm BLACK RIBBED RUBBER 1.2m WIDE	0.09



W00-00138
NBFL - OPTIMA BATTERY FRAME

Index	PSV Ref	Component Type	Description	Qty
1	PSV/11/664	PART	Isolating Mount	2
2	PSV/22/099	PART	Optima Battery	2
3	PSV/11/418	PART	M10 X 25mm Verbus Ribbed	12
4	PSV/43/400	PART	M6 X 10 Cad Bolt	2
5	PSV/43/434	PART	M8 X 1.25mm Threaded Bar	2
6	PSV/63/037	PART	M10 Flange Nut	12
7	PSV/43/704	PART	1/4" Bright Steel Washer	2
8	PSV/44/979	PART	Norma Clip - 24mm	1
9	PSV/63/280	PART	Norma Clip - 22mm	3
10	PSV/63/287	PART	Norma Clip - 19mm	5
11	PSV/63/296	PART	Breeze Ct Hose Clamp 16-27mm	1
12	PSV/63/457	PART	Nbfl Battery Carrier	1
13	PSV/62/054	ASSEMBLY	Nbfl Battery Carrier Support Frame	1
14	PSV/63/458	PART	Nbfl Battery Carrier	2
15	PSV/63/461	PART	Nbfl Battery Carrier	1
16	PSV/45/484	PART	Nbfl Battery Top Clamping Tray	1
17	PSV/50/544	PART	Pipe Fitting Support Brkt	2
18	PSV/64/163	PART	Pipe Fitting Support Brkt	2



W00-00148
AIR SYSTEM



Stock Number	Description	Quantity
PSV/55/231	90 DEGREE ELBOW M22 MALE 12mm PUSH IN	29.00
PSV/62/248	M22 MALE BLANKING PLATE	8.00
PSV/62/249	MALE STUD M22 12mm	6.00
PSV/08/213	DRAIN VALVE M22 MALE	7.00
PSV/62/250	90 DEGREE F-PIECE M22 MALE 12mm PUSH IN	2.00
PSV/62/251	45 DEGREE EBOW M22 MALE 12 MM PUSH IN	2.00
PSV/62/252	90 DEGREE ELBOW M22 MALE 10MM PUSH IN	4.00
PSV/08/183	MALE STUD M22 10MM PUSH IN	2.00
PSV/62/253	MALE MALE 18L - M22	4.00
PSV/62/022	MALE MALE ADAPTOR 18L - M16	4.00
PSV/62/023	UNION TEE 12MM PUSH IN	6.00
PSV/60/185	UNION TEE 10MM PUSH IN	2.00
PSV/62/254	90 DEGREE ELBOW M16 MALE 8MM PUSH IN	6.00
PSV/62/024	MALE STUD M12 8MM PUSH IN	1.00
PSV/62/025	90 DEGREE ELBOW M12 MALE 8MM PUSH IN	2.00
PSV/62/026	MALE STUD M16 12MM PUSH IN	3.00
PSV/62/255	EQUAL UNION TEE 8MM PUSH IN	1.00
PSV/62/256	UNEQUAL UNION TEE 12MM-12MM-6MM PUSH IN	2.00
PSV/62/257	90 DEGREE ELBOW M16 MALE 12mm PUSH IN	8.00
PSV/62/258	MALE M16 MALE M22 ADAPTOR	1.00
PSV/62/027	90 DEGREE ELBOW M22 MALE 8mm PUSH IN	1.00
PSV/62/259	90 DEGREE F-PIECE M22 MALE 8mm PUSH IN	4.00
PSV/62/260	MALE M22 FEMALE M16 BULKHEAD ADAPTOR	10.00
PSV/62/261	M24 NUT	4.00
PSV/62/028	M22 MALE TO M22 FEMALE 90 DEGREE ELBOW	2.00
PSV/17/418	BULKHEAD ADAPTOR M22F-12PIF	4.00
PSV/60/576	ELBOW M10M-10PIF	4.00
PSV/62/264	TEE 12PIF 12PIF M16M	2.00
PSV/62/265	PLUG M16	1.00
PSV/62/266	BULKHEAD ADAPTOR M16F M12F	2.00
PSV/62/267	O RING M12	2.00
PSV/62/268	TEE M22M M22F M22F	1.00
PSV/62/029	STEM PLUG 6PIF	1.00
PSV/62/269	ADAPTOR M16M M22F	4.00
PSV/62/270	AIR BRAKE FITTING	4.00
PSV/62/271	M22 THRUST RING	2.00
PSV/62/272	O-RING FOR M22	2.00
PSV/62/273	ELBOW M12M 6PIF	2.00
PSV/62/031	TEE 6PIF 6PIF 6PIF	2.00
PSV/62/274	UNION NUT FOR 10mm PIPE	2.00
PSV/62/275	COUPLING 10mm	2.00
PSV/62/515	BRAKE AND SUSPENSION VALVE BRACKET ASSY	1.00
PSV/62/519	CHANNEL - BRAKE AND SUSPENSION VALVE	1.00
PSV/62/520	RELAY VALVE BRACKET	1.00
PSV/62/521	END PLATE - BRAKE AND SUSPENSION VALVE	2.00
PSV/62/516	ASSY AIR RESERVOIR SUPPORT BRACKET	2.00
PSV/62/522	END PLATE	1.00
PSV/62/523	SUPPORT RAIL	1.00
PSV/62/517	ASSEMBLY BRACKET	1.00



W00-00148
AIR SYSTEM



Stock Number	Description	Quantity
PSV/62/526	CHANNEL	1.00
PSV/62/527	PLATE	1.00
PSV/62/528	BRACKET	1.00
PSV/62/518	ASSEMBLY STRUT	1.00
PSV/62/529	BRACKET	1.00
PSV/62/530	STRUT	1.00
PSV/62/531	PLATE	1.00
PSV/27/324	CHASSIS - BRAKE PURGE TANK 5L	1.00
PSV/17/369	CHASSIS - BRAKE TEST POINT	8.00
PSV/26/910	CHASSIS - SILENCER-RELAY VALVES/FT VALVE	1.00
PSV/26/926	NON RETURN VALVE	1.00
PSV/39/294	TANK STRAP TO SUIT 206mm DIA TANK	2.00
PSV/39/295	C-COUPLING	1.00
PSV/39/296	C-COUPLING BLANKING PLUG	1.00
PSV/27/321	MULTI-CIRCUIT PROTECTION VALVE	1.00
PSV/27/328	AIR RESERVOIR 20L D206	1.00
PSV/27/330	AIR RESERVOIR 30L D246	1.00
PSV/27/354	RELAY VALVE, DUAL	1.00
PSV/27/158	AXLE MODULATOR	1.00
PSV/27/116	BACK-UP VALVE	1.00
PSV/27/327	AIR RESERVOIR 10L D206	1.00
PSV/27/334	AIR RESERVOIR 30L D276	2.00
PSV/26/946	SAFETY VALVE	1.00
PSV/10/224	LOW PRESSURE SWITCH	1.00
PSV/26/998	PRESSURE TRANSDUCER 12BAR MAX 24V	2.00
PSV/27/074	BRAKE WEAR CABLE REAR	1.00
PSV/27/070	BRAKE WEAR CABLE REAR	1.00
PSV/27/079	AIR RESERVOIR STRAP D310	2.00
PSV/27/335	AIR RESERVOIR 20L D300	1.00
PSV/62/524	BRACKET LP SWITCH MOUNTING	1.00
PSV/39/303	BRACKET AIR RESERVOIR SUPPORT LH	2.00
PSV/39/304	BAND CLAMP D208	2.00
PSV/39/305	BAND CLAMP D248	2.00
PSV/39/306	BAND CLAMP D278	4.00
PSV/62/525	RES RAIL SUPPORT BRACKET	1.00
PSV/62/532	BRACKET PARK LP SWITCH	1.00
PSV/62/533	RESERVOIR RAIL ADJUSTER BRACKET	2.00
PSV/39/522	ASSY BRAKE HOSE	4.00
PSV/62/545	COMPRESSOR KIT	1.00
PSV/17/401	ECAS HEIGHT SENSOR - 441 050 100 0	2.00
PSV/17/184	ECAS HEIGHT SENSOR LEVER	2.00
PSV/26/925	ECAS HEIGHT SENSOR LINKAGE	2.00
PSV/27/127	ECAS VALVE BLOCK	1.00
PSV/17/249	ECAS VALVE BLOCK	1.00
PSV/10/216	ECAS PRESSURE SWITCH	1.00
PSV/62/599	ECAS HEIGHT GAUGE BRACKET	1.00
PSV/62/600	ECAS HEIGHT GAUGE BRACKET - OFFSIDE	1.00
PSV/62/601	ECAS HEIGHT SENSOR ROD	2.00
PSV/42/414	28mm BLACK SPLIT CONDUIT (SV46)	5.00



W00-00148
AIR SYSTEM



Stock Number	Description	Quantity
PSV/63/693	PURGE TANK STIFFENING BRACKET	1.00
PSV/62/070	6mmX1 AIRBRAKE HOSE (DIN 74324)	9.50
PSV/64/754	8mmX1 AIRBRAKE HOSE (DIN 74324)	23.00
PSV/64/755	10mmX1.25 AIRBRAKE HOSE (DIN 74324)	22.00
PSV/58/560	12mmX1.5 AIRBRAKE HOSE (DIN 74324)	85.00
PSV/62/986	M12x1.5 BY 20 HEX BOLT	2.00





W00-00155

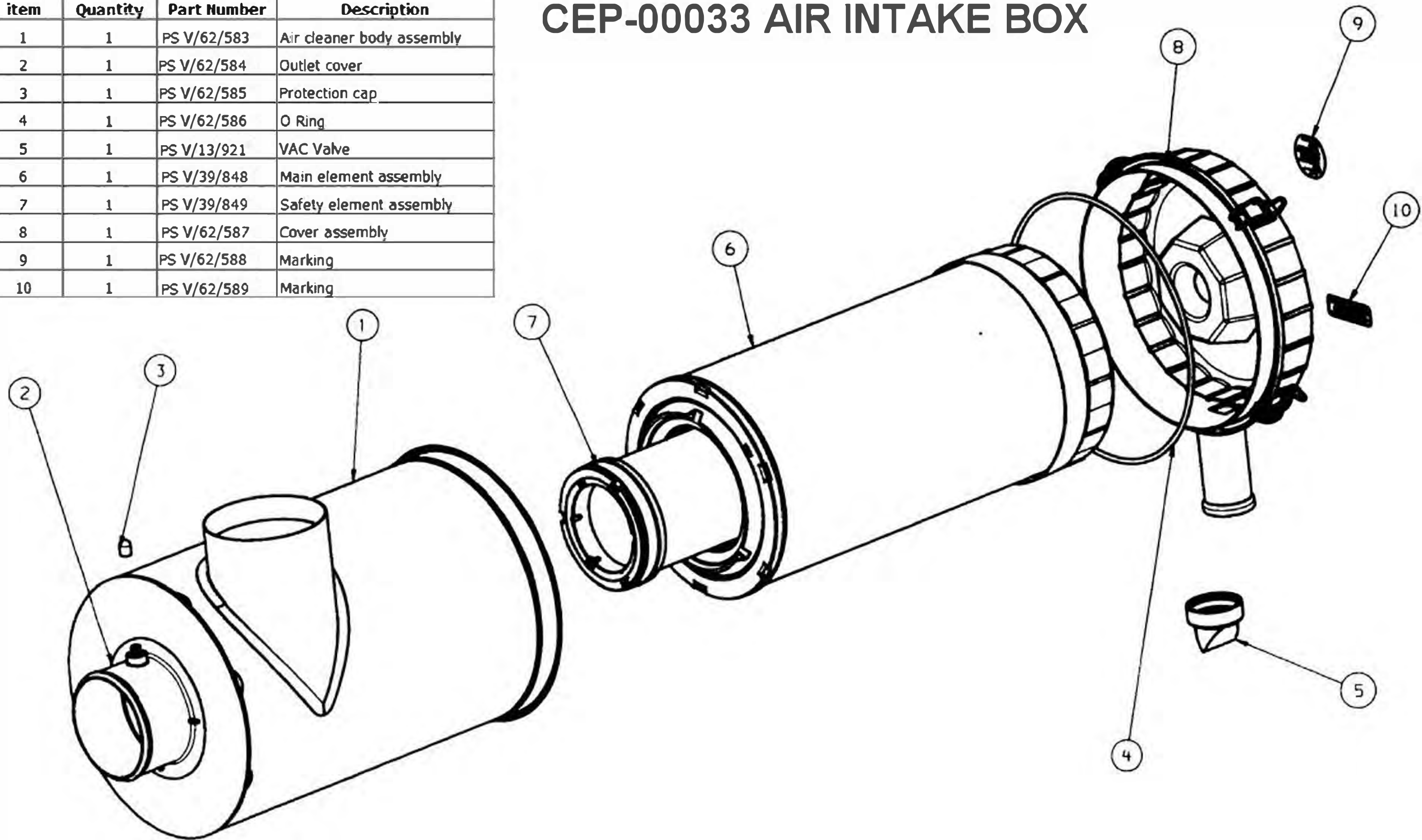
AIR INTAKE SYS CLEAN/DIRTY SIDE



Stock Number	Description	Quantity
PSV/39/409	CHASSIS - ENGINE AIR INTAKE FILTER	1.00
PSV/62/583	AIR CLEANER BODY ASSEMBLY FOR CEP-00033	1.00
PSV/62/584	OUTLET COVER	1.00
PSV/62/585	PROTECTION CAP	1.00
PSV/62/586	O RING	1.00
PSV/13/921	VAC VALVE	1.00
PSV/39/849	SAFETY ELEMENT/ MAIN FILTER ASSEMBLY	1.00
PSV/39/848	MAIN AIR CLEANER ELEMENT ASSEMBLY	1.00
PSV/62/587	COVER ASSEMBLY	1.00
PSV/62/588	MARKING	1.00
PSV/62/589	MARKING	1.00
PSV/62/035	CHASSIS - AIR INTAKE MOUNTING STRAPS	2.00
PSV/62/036	AIR INTAKE RESTRICTION INDICATOR	1.00
PSV/39/410	AIR INTAKE NIPPLE	1.00
PSV/62/037	AIR INTAKE RESTRICTION INDICATOR FLANGE	1.00
PSV/17/430	AIR INTAKE PIPE AIR FILTER TO TURBO	1.00
PSV/39/754	AIR INTAKE 180DEG SILICONE REDUCER	1.00
PSV/39/756	60 DEG 4.5"-4" SILICONE ELBOW	1.00
PSV/62/768	1/8" NPT TO 5/16 90 DEGREE ELBOW	1.00
PSV/63/105	FILTER MINDER BRACKET	1.00
PSV/63/281	120-140mm HOSE CLIP	3.00
PSV/63/282	90-110MM JUBILEE CLIP	2.00
PSV/44/984	70-90mm HOSE CLIP	1.00
PSV/50/331	NBFL AIR INTAKE BOX ASSEMBLY	1.00
PSV/60/160	M6x20 CAD ENG.BOLT	3.00
PSV/43/676	M6 OPEN END NUTSERT	3.00
PSV/60/164	M6 CAD.PLTD.FLAT WASHER	3.00
PSV/64/088	NBFL AIR INTAKE BOX PART	1.00
PSV/64/089	NBFL AIR INTAKE BOX PART	1.00
PSV/64/090	NBFL AIR INTAKE BOX PART	1.00
PSV/64/091	NBFL AIR INTAKE BOX PART	1.00
PSV/64/092	NBFL AIR INTAKE BOX PART	1.00
PSV/64/093	NBFL AIR INTAKE BOX PART	1.00
PSV/64/094	NBFL AIR INTAKE BOX PART	1.00
PSV/64/095	NBFL AIR INTAKE BOX PART	1.00
PSV/62/577	DRAIN VALVE VOLVO 1660222	1.00
PSV/62/156	0.5M OF 8MM BRAKE TUBING	1.00
PSV/64/754	8mmX1 AIRBRAKE HOSE (DIN 74324)	0.50
PSV/58/550	ENDURAFLEX HEAT RESISTANT HOSE 127mm	0.10

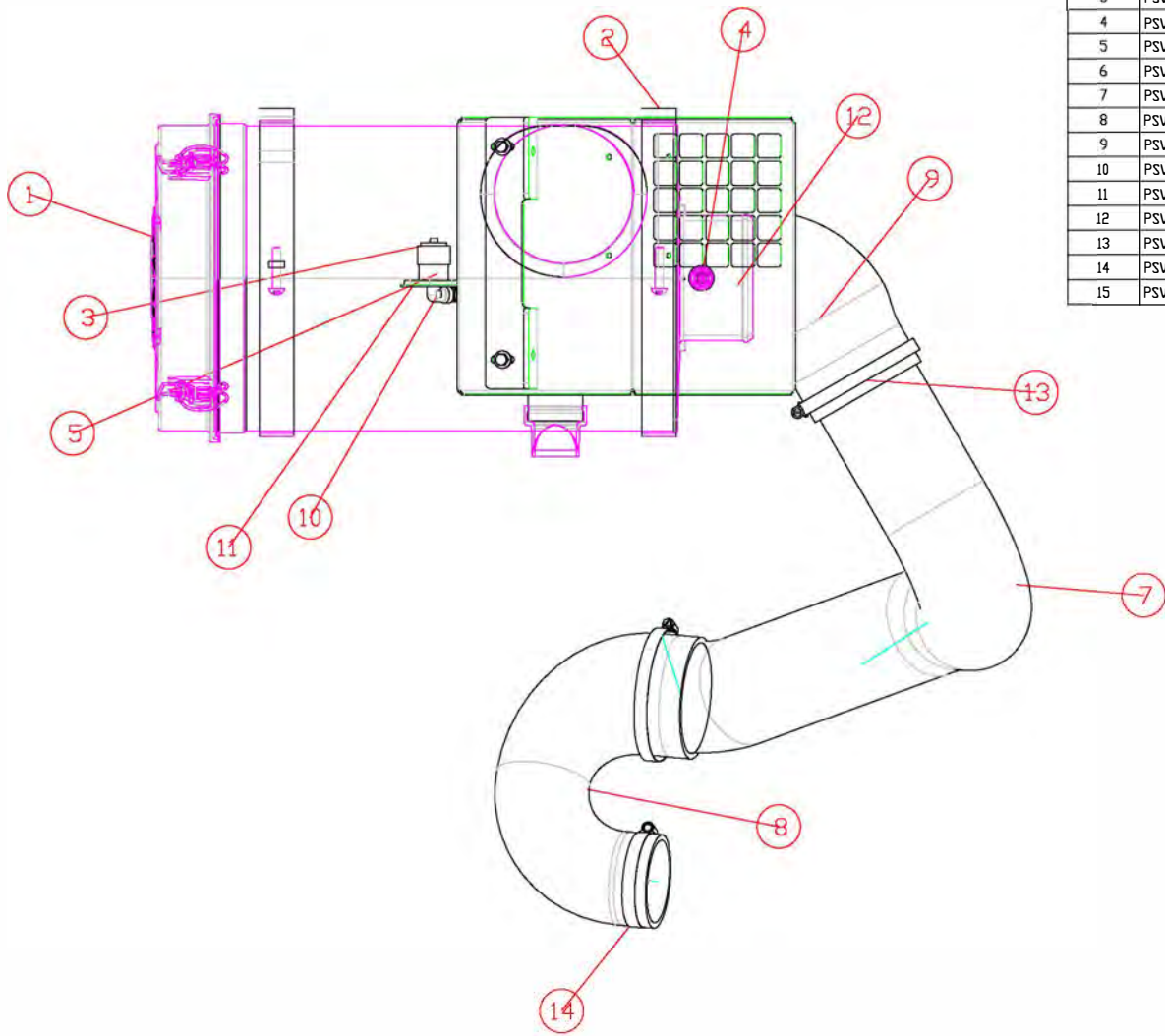
item	Quantity	Part Number	Description
1	1	PS V/62/583	Air cleaner body assembly
2	1	PS V/62/584	Outlet cover
3	1	PS V/62/585	Protection cap
4	1	PS V/62/586	O Ring
5	1	PS V/13/921	VAC Valve
6	1	PS V/39/848	Main element assembly
7	1	PS V/39/849	Safety element assembly
8	1	PS V/62/587	Cover assembly
9	1	PS V/62/588	Marking
10	1	PS V/62/589	Marking

CEP-00033 AIR INTAKE BOX



AIR INTAKE SYSTEM CLEANER

W00-00155



Index	Part Number	Compnt Type	Description	Qty
1	PSV/39/409	ASSEMBLY	CH-ENG. AIR INTAKE FILTER	1
2	PSV/62/035	PART	ENG. AIR INTAKE MOUNTING STRAP	2
3	PSV/62/036	PART	Air intake restriction indicator	1
4	PSV/39/410	PART	Air intake adaptor nipple	1
5	PSV/62/037	PART	Restiction indicator plate	1
6	PSV/13/921	PART	50mm Vacuation valve	1
7	PSV/17/430	PART	AIR INTAKE PIPE	1
8	PSV/39/754	PART	102mm to 76mm 180 Deg REDUCING BEND	1
9	PSV/39/756	PART	4.5" to 4" REDUCING ELBDW	1
10	PSV/62/768	PART	1/8" NPT TO 5/16 90 DEGREE ELBDW	1
11	PSV/63/105	PART	FILTER MINDER BRACKET	1
12	PSV/63/281	PART	HOSE CLIP 120-140mm	1
13	PSV/63/282	PART	HOSE CLIP 90-110mm	2
14	PSV/44/984_86_DIAM	PART	HOSE CLIP 70-90mm	1
15	PSV/50/331	ASSEMBLY	NBFL Air cleaner intake box	1

NOTES:-

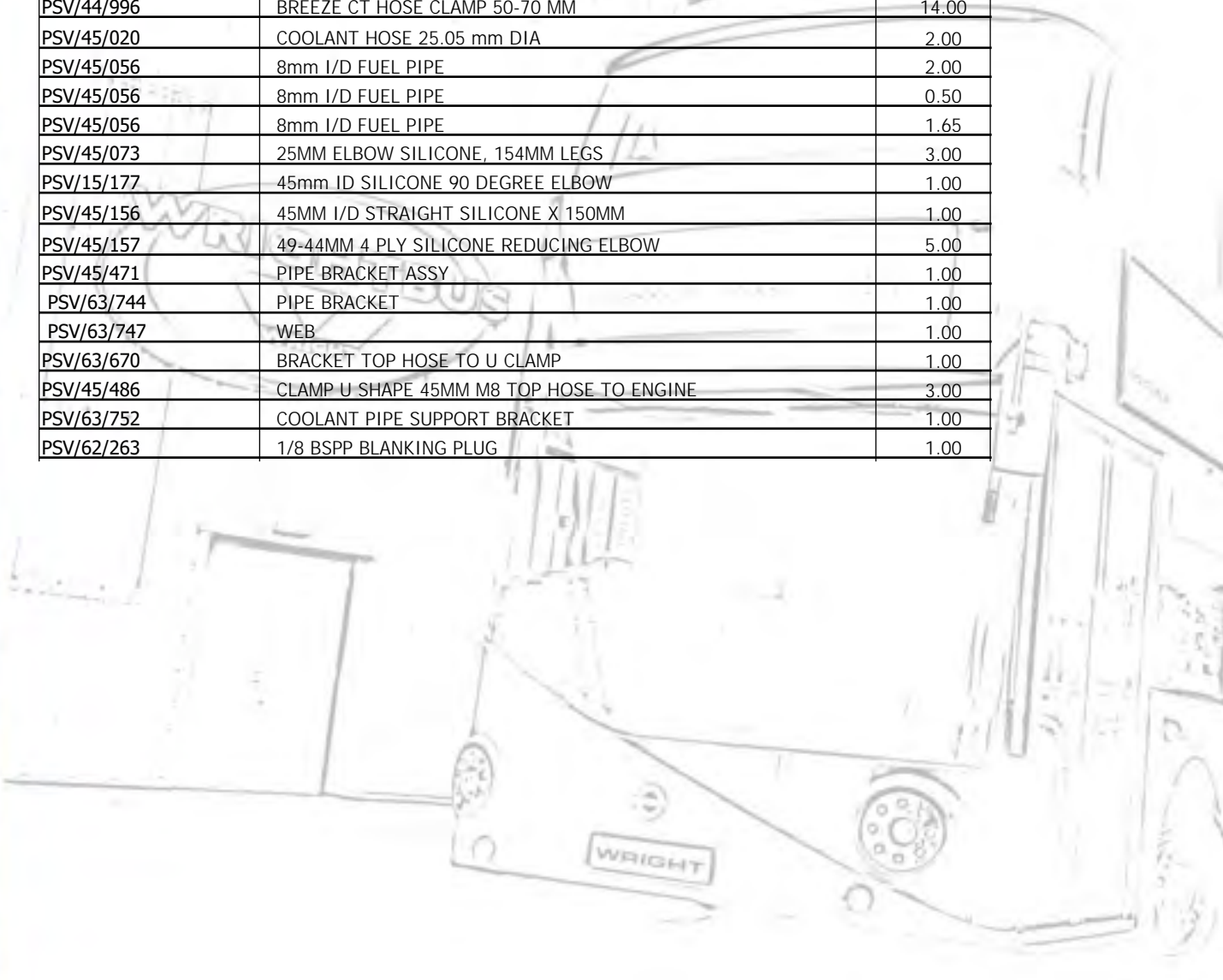
1. ALL BAND CLAMPS TO BE RE-TORQUED AFTER INITIAL BUILD UPON PDI

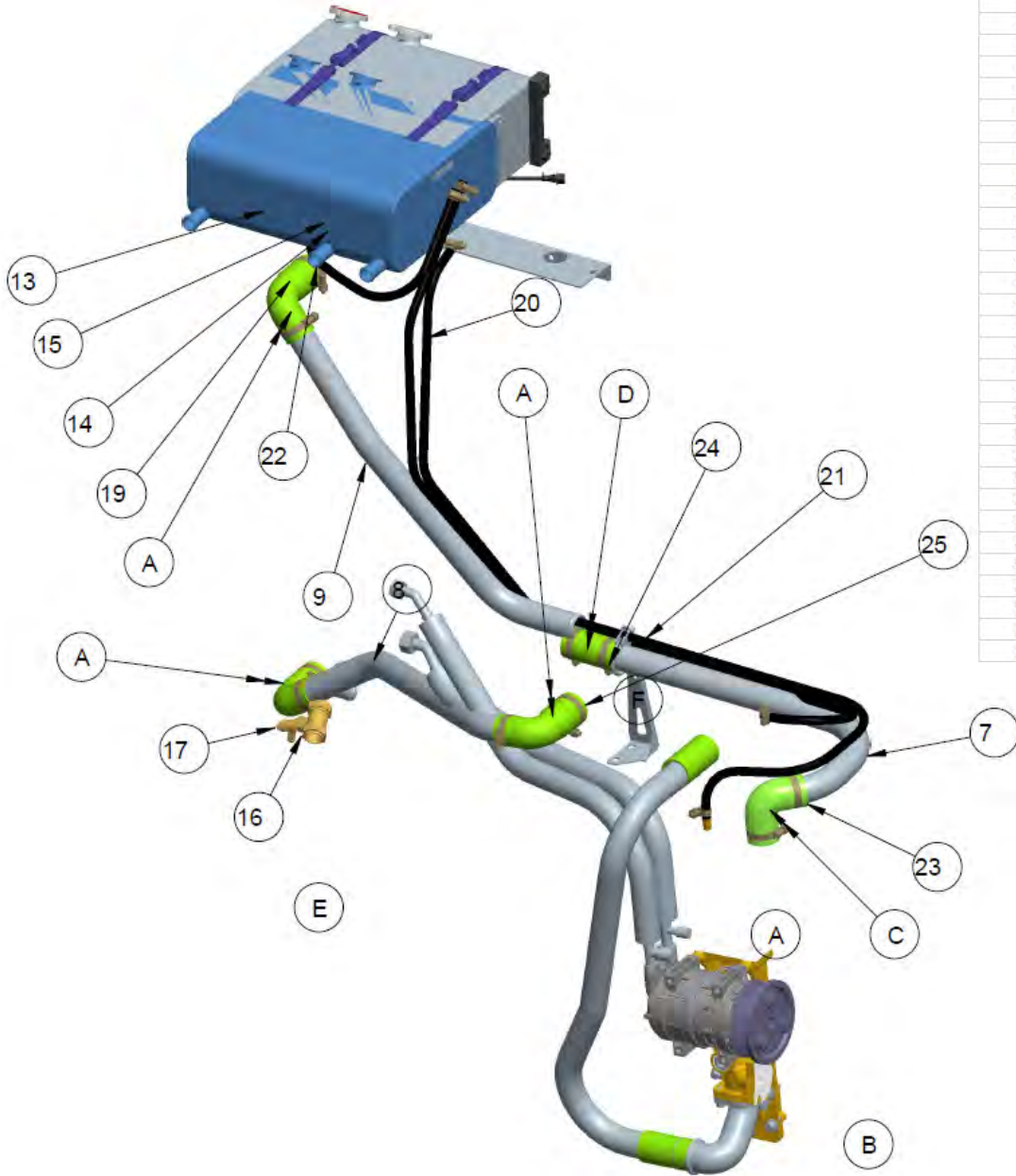
2. SILICONE P80 OR EQUIVALENT LUBRICANT MAY BE USE SPARINGLY TO ASSIST ASSEMBLY OF SILICONE HOSE TO PIPEWORK

W00-00157
COOLANT PIPE WORK



Stock Number	Description	Quantity
PSV/62/042	COOLANT PIPE BTM HOSE TO SIECO	1.00
PSV/62/639	COOLANT PIPE TOP HOSE-ENGINE SIDE	1.00
PSV/62/640	COOLANT PIPE TOP HOSE-RAD	1.00
PSV/62/641	COOLANT PIPE TOP HOSE-RAD SIDE	1.00
PSV/63/228	1/4" BSPT TO 8mm HOSE TAIL	1.00
PSV/63/237	90 DEG 1/8" BSPT MALE TO 8mm HOSE TAIL	3.00
PSV/44/949	1/8" BSPT MALE TO 8mm HOSE TAIL	3.00
PSV/63/248	1" BARB TO 1" BARB HOSE JOINER - BRASS	4.00
PSV/63/272	1/4"BSPT MALE - 1/4"BSP FEM 90 DEG	1.00
PSV/44/981	16mm NORMA PIPE CLIP	2.00
PSV/63/296	BREEZE CT HOSE CLAMP 16-27MM	6.00
PSV/44/993	BREEZE CT HOSE CLAMP 20-32 MM	4.00
PSV/44/996	BREEZE CT HOSE CLAMP 50-70 MM	14.00
PSV/45/020	COOLANT HOSE 25.05 mm DIA	2.00
PSV/45/056	8mm I/D FUEL PIPE	2.00
PSV/45/056	8mm I/D FUEL PIPE	0.50
PSV/45/056	8mm I/D FUEL PIPE	1.65
PSV/45/073	25MM ELBOW SILICONE, 154MM LEGS	3.00
PSV/15/177	45mm ID SILICONE 90 DEGREE ELBOW	1.00
PSV/45/156	45MM I/D STRAIGHT SILICONE X 150MM	1.00
PSV/45/157	49-44MM 4 PLY SILICONE REDUCING ELBOW	5.00
PSV/45/471	PIPE BRACKET ASSY	1.00
PSV/63/744	PIPE BRACKET	1.00
PSV/63/747	WEB	1.00
PSV/63/670	BRACKET TOP HOSE TO U CLAMP	1.00
PSV/45/486	CLAMP U SHAPE 45MM M8 TOP HOSE TO ENGINE	3.00
PSV/63/752	COOLANT PIPE SUPPORT BRACKET	1.00
PSV/62/263	1/8 BSPP BLANKING PLUG	1.00





Index	Part Number	Description	Qty
1	Q38554_02_FMS_		1
2	ACP_PRESSURE_01	TBD	1
3	ACP_SUCTION_01	TBD	1
4	PSV/61/244	BRASS FITTING WATER BLEED	1
5	PSV/61/245	COOLANT EXPANSION TANK ASSEMBLY	1
6	PSV/62/042	COOLANT PIPE	1
7	PSV/62/639	COOLANT PIPE	1
8	PSV/62/640	COOLANT PIPE	1
9	PSV/62/641	COOLANT PIPE	1
10	PSV/61/246	COOLANT PIPE	1
11	PSV/40/170		1
12	PSV/62/642	COOLANT EXPANSION TANK	1
13	PSV/43/341	M8 x 20 CAD ENG BOLT	2
14	PSV/63/228	1/4" BSPT TO 8mm HOSE TAIL	1
15	PSV/63/272	1/4" BSPT MALE TO 1/4" BSP FEMALE 90 Deg	1
16	PSV/61/247	28-28-15mm BARREL TEE	1
17	PSV/61/248	15mm COMPRESSION DRAIN	1
18	PSV/63/296	BREEZE CT HOSE CLAMP 16-27mm	6
19	PSV/44/996	BREEZE CT HOSE CLAMP 50-70mm	10
20	PSV/61/249	COOLANT BLEED PIPE	1
21	PSV/61/250	COOLANT BLEED PIPE	1
22	PSV/61/251	COOLANT BLEED PIPE	1
23	PSV/15/177	45mm ID SILICONE 90 DEG ELBOW	1
24	PSV/45/156	45mm STRAIGHT COUPLE	3
25	PSV/45/157	50-45MM 4 PLY SILICONE REDUCING ELBOW	3
26	PSV/61/253	HEADER TANK MOUNT BRKT	1
27	PSV/63/670	Top Hose Bracket To Head	1
28	PSV/45/486	CLAMP U SHAPE 45MM	1
29	Q38554_02_FMS_		2
30	TM21_AIRCON PUMP		1
31	W19434_WITH ELBO	TBD	1

W00-00157
COOLANT PIPEWORK

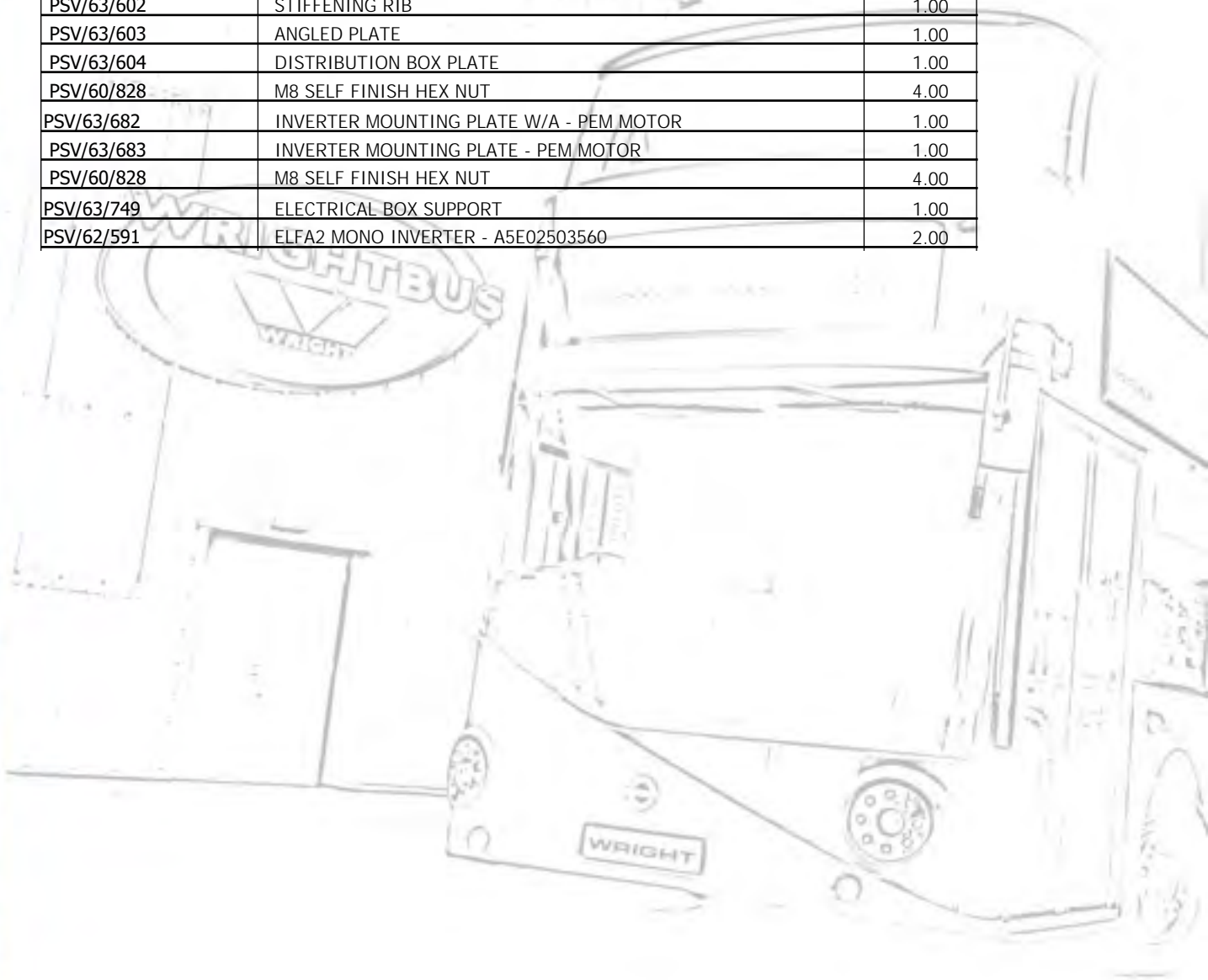


W00-00159

INVERTERS AND VPM



Stock Number	Description	Quantity
PSV/62/566	HYBRID PUMP SPACER	1.00
PSV/17/440	V1-30-20-N55 ISOLATING MOUNT	4.00
PSV/39/845	VPM MODULE FOR PM MOTOR	1.00
PSV/63/539	INVERTER ATTACHMENT BRACKET	1.00
PSV/63/605	SUPPORT ANGLE	1.00
PSV/63/606	SUPPORT FRAME	1.00
PSV/63/607	INVERTER SUPPORT FRAME - PEM MOTOR SIDE	1.00
PSV/63/679	INVERTER MOUNTING PLATE W/A	1.00
PSV/63/680	INVERTER MOUNTING PLATE	1.00
PSV/60/828	M8 SELF FINISH HEX NUT	4.00
PSV/63/681	INVERTER / DISTRIBUTION BOX SUPPORT ASSY	1.00
PSV/63/595	INVERTER / DISTRIBUTION BOX PLATE	1.00
PSV/63/602	STIFFENING RIB	1.00
PSV/63/603	ANGLED PLATE	1.00
PSV/63/604	DISTRIBUTION BOX PLATE	1.00
PSV/60/828	M8 SELF FINISH HEX NUT	4.00
PSV/63/682	INVERTER MOUNTING PLATE W/A - PEM MOTOR	1.00
PSV/63/683	INVERTER MOUNTING PLATE - PEM MOTOR	1.00
PSV/60/828	M8 SELF FINISH HEX NUT	4.00
PSV/63/749	ELECTRICAL BOX SUPPORT	1.00
PSV/62/591	ELFA2 MONO INVERTER - A5E02503560	2.00



W00-00160

CHASSIS CORROSION PROTECTION - NBFL



Stock Number	Description	Quantity
PSV/62/276	ADH SIKA 205 CLEAN 1 LITRE	0.20
PSV/62/283	ADH SIKA 555 600ML SAUSAGE	2.00
PSV/64/706	PPG-D845 HIGH STRENGTH DEGREASER	3.00
PSV/64/713	BPC CORROMET BLACK MIO CHASSIS PAINT	20.00
PSV/54/963	BPC CHASSIS COAT BRONZE BC80	50.00
PSV/64/711	DINOL 3642W FOR TUBES	10.00
PSV/64/712	DINOL 3642W WAX - BULK	10.00



W00-00165
ACP ASSY TM21-1SB



Stock Number	Description	Quantity
PSV/24/991	POLY-VEE BELT 8 RIB 1380MM LONG	1.00
PSV/62/958	M8X110 CAD ENG BOLT	2.00
PSV/62/970	M8x100 HEX HD BOLT, 8.8 GRADE	2.00
PSV/63/337	ACP MOUNT BRACKET TM21-1SB MACHINED PART	1.00
PSV/63/33	ACP MOUNT BRKT TM21-1SB ROUGH MATERIAL	1.00
PSV/63/596	PLATE ACP MOUNT BRACKET	1.00
PSV/63/597	BOX SECTION ACP MOUNT BRACKET	1.00
PSV/63/598	PLATE ACP MOUNT BRACKET	1.00
PSV/63/599	BOSS ACP MOUNT BRACKET	4.00
PSV/63/600	RECTANG SECTION ACP MOUNT BRACKET	1.00
PSV/63/601	THREADED BOSS ACP MOUNT BRACKET	1.00

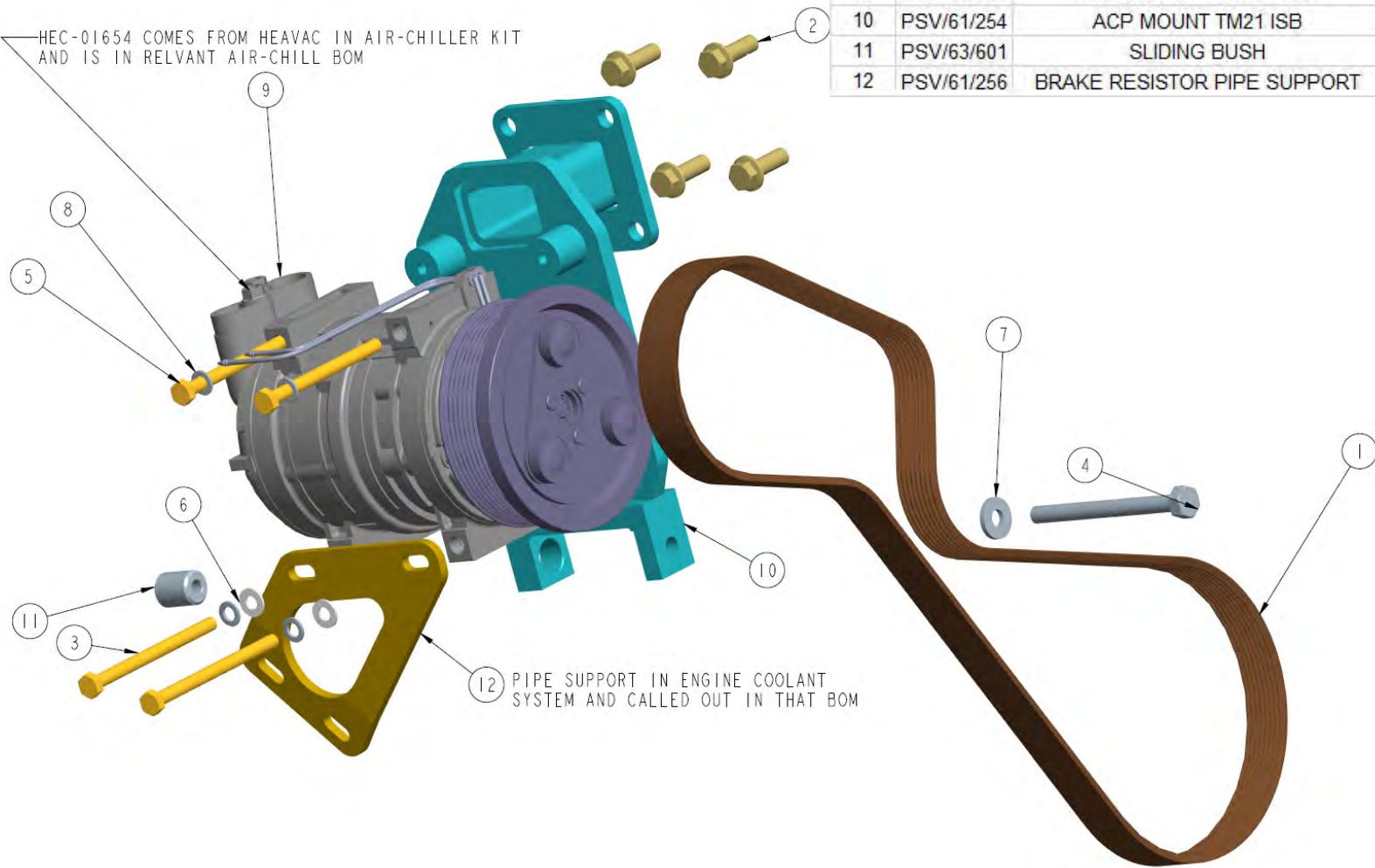


NOTES:-

1. Remove Cummins supplied lifting eye and scrape paint from outer surface of the cylinder head and refit when installing bracket item 8.
2. Press bush item 9 into bracket item 8 until flush with inner face.
3. Install bracket item 8 on to engine water inlet and loosely fit bolts and washer item 2,3 & 5.
4. Torque item 2 & 4 to 75-80Nm ensuring the sliding bush is flush with water inlet.
5. Install compressor to bracket using items 3, 5, 6, 8 & 12 and torque 25-30Nm.
6. Fit poly-vee belt item 1 over all grooved pulleys and withdraw the tensioner using a ratchet (no longer than 12 inch). Slip the smooth rear side of the belt over the water pump pulley last.

Index	PSV Ref	Description	Qty
1	PSV/24/991	8 RIB POLYVEE 1380mm	1
2	PSV/43/344	M10x30 VERBUS HT12.9 BOLT	4
3	PSV/62/958	M8 x 110 CAD ENG BOLT	2
4	PSV/61/237	M10 x 30 HT 12.9 BOLT	1
5	PSV/62/970	M8 x 100 CAD ENG BOLT	2
6	PSV/60/163	8mm FLAT WASHER	2
7	PSV/62/048	M10 x 24 x 3 ZINC & CLEAR WASHER	1
8	PSV/61/254	1/4 SGL COIL SPRING WASHER	4
9	PSV/23/962	HEEVAC ACP PUMP TM21	1
10	PSV/61/254	ACP MOUNT TM21 ISB	1
11	PSV/63/601	SLIDING BUSH	1
12	PSV/61/256	BRAKE RESISTOR PIPE SUPPORT	1

HEC-01654 COMES FROM HEAVAC IN AIR-CHILLER KIT AND IS IN RELVANT AIR-CHILL BOM



12 PIPE SUPPORT IN ENGINE COOLANT SYSTEM AND CALLED OUT IN THAT BOM

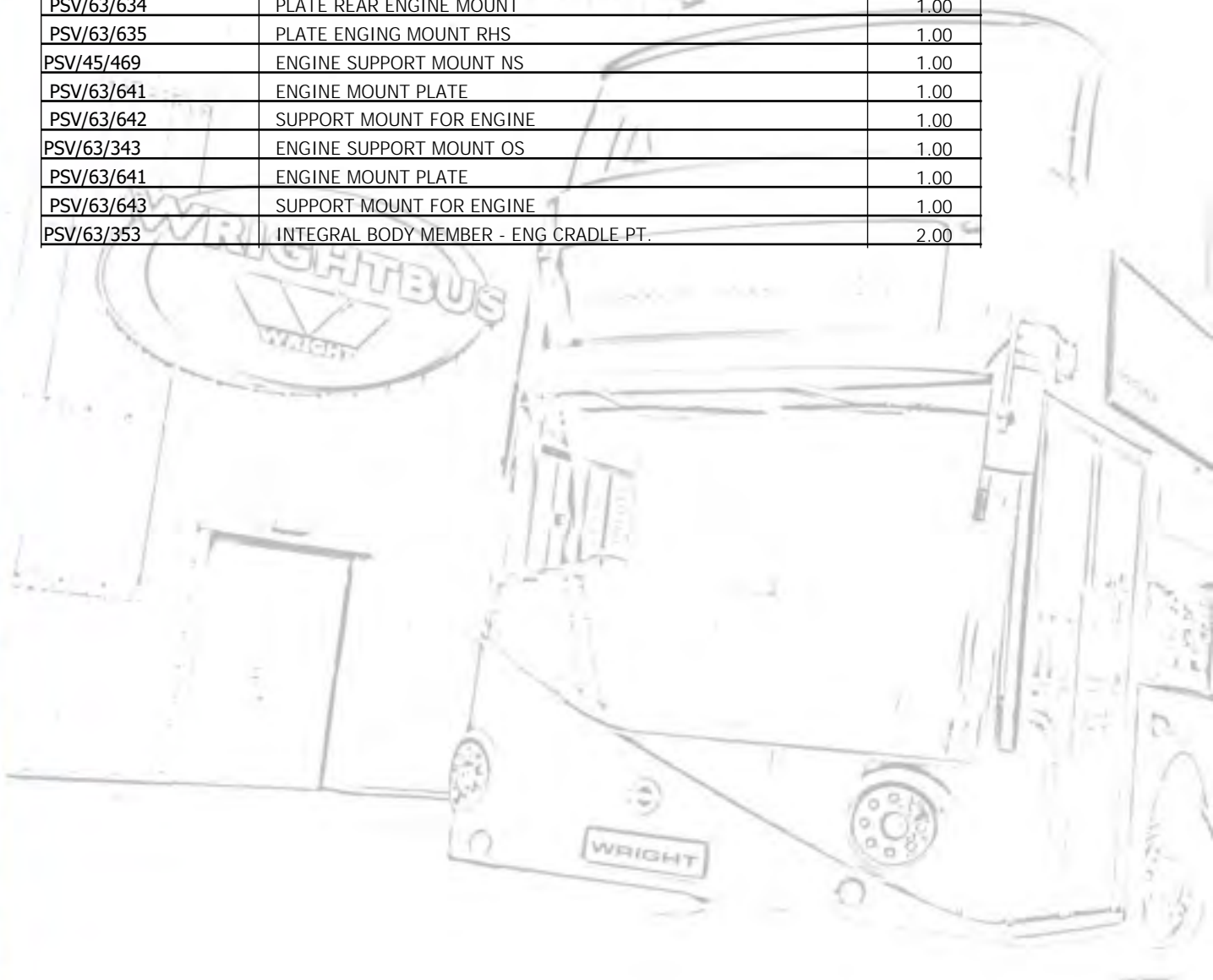
W00-00165
ACP - ASSEMBLY

W00-00173

ENGINE MOUNT ASSEMBLY

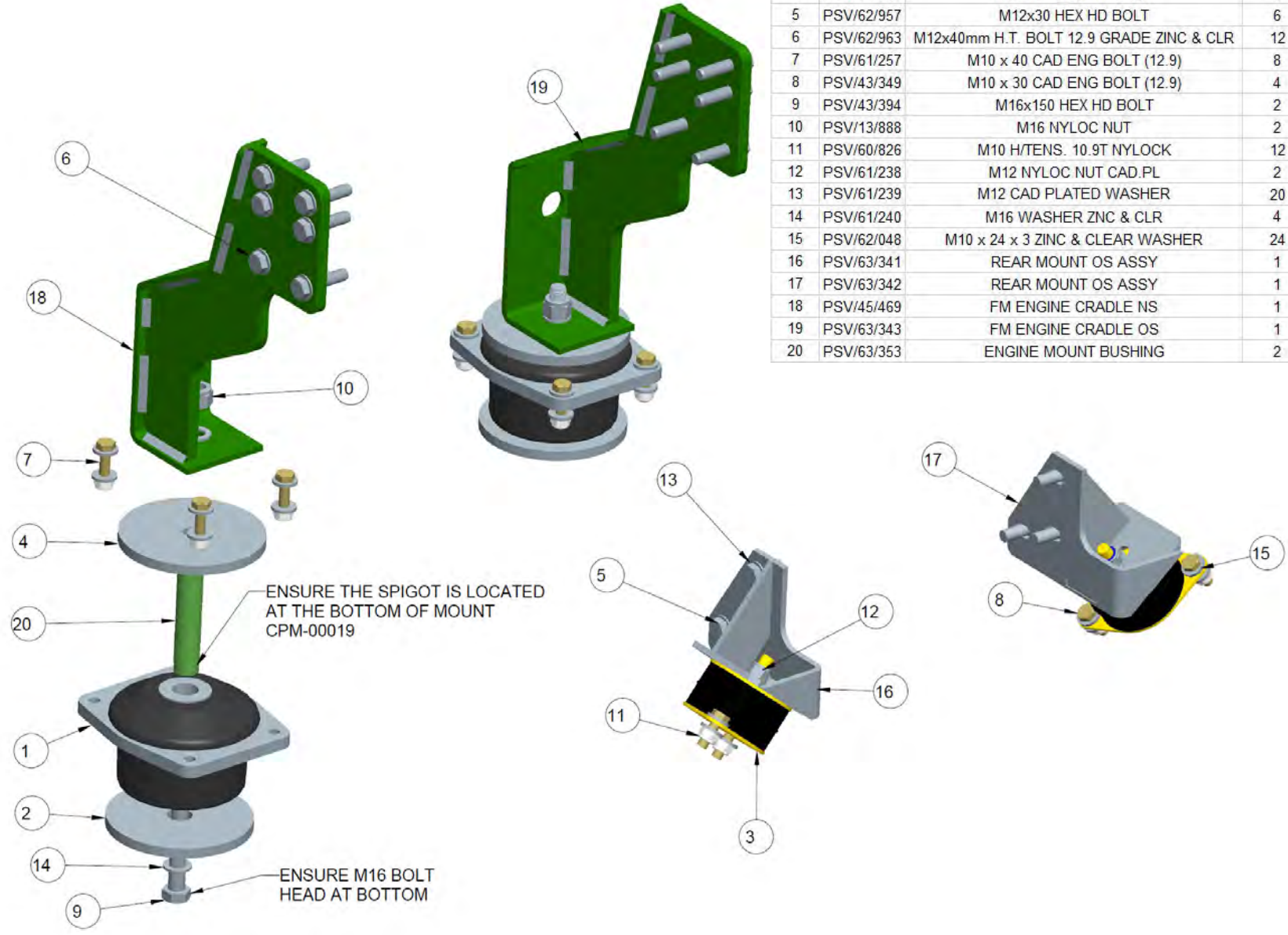


Stock Number	Description	Quantity
PSV/39/749	METALASTIC BEARING 17-1550	2.00
PSV/39/750	METALASTIC WASHER 139x24A 336100	2.00
PSV/39/806	RUBBER MOUNT 16x42 COMPOUND	2.00
PSV/39/758	METALASTIC WASHER 139x18	2.00
PSV/62/963	M12x40mm H.T. BOLT 12.9 GRADE ZINC & CLR	12.00
PSV/43/394	M16x150 BOLT HT10.9 COARSE ZINC & CLEAR	2.00
PSV/63/341	LHS REAR ENGINE MOUNT	1.00
PSV/63/466	ENGINE MOUNT BRACKET NS	1.00
PSV/63/634	PLATE REAR ENGINE MOUNT	1.00
PSV/63/635	PLATE ENGING MOUNT RHS	1.00
PSV/63/342	RHS ENGINE MOUNT	1.00
PSV/63/465	ENGINE MOUNT BRACKET	1.00
PSV/63/634	PLATE REAR ENGINE MOUNT	1.00
PSV/63/635	PLATE ENGING MOUNT RHS	1.00
PSV/45/469	ENGINE SUPPORT MOUNT NS	1.00
PSV/63/641	ENGINE MOUNT PLATE	1.00
PSV/63/642	SUPPORT MOUNT FOR ENGINE	1.00
PSV/63/343	ENGINE SUPPORT MOUNT OS	1.00
PSV/63/641	ENGINE MOUNT PLATE	1.00
PSV/63/643	SUPPORT MOUNT FOR ENGINE	1.00
PSV/63/353	INTEGRAL BODY MEMBER - ENG CRADLE PT.	2.00



W00-00173
ENGINE MOUNT ASSEMBLY

Index	PSV Ref	Description	Qty
1	PSV/39/749	Metacone mount 17/1550	2
2	PSV/39/750	Metalastic washer 336080	2
3	PSV/39/806	RUBBER MOUNT 16x42	2
4	PSV/39/758	METALASTIC WASHER	2
5	PSV/62/957	M12x30 HEX HD BOLT	6
6	PSV/62/963	M12x40mm H.T. BOLT 12.9 GRADE ZINC & CLR	12
7	PSV/61/257	M10 x 40 CAD ENG BOLT (12.9)	8
8	PSV/43/349	M10 x 30 CAD ENG BOLT (12.9)	4
9	PSV/43/394	M16x150 HEX HD BOLT	2
10	PSV/13/888	M16 NYLOC NUT	2
11	PSV/60/826	M10 H/TENS. 10.9T NYLOCK	12
12	PSV/61/238	M12 NYLOC NUT CAD.PL	2
13	PSV/61/239	M12 CAD PLATED WASHER	20
14	PSV/61/240	M16 WASHER ZNC & CLR	4
15	PSV/62/048	M10 x 24 x 3 ZINC & CLEAR WASHER	24
16	PSV/63/341	REAR MOUNT OS ASSY	1
17	PSV/63/342	REAR MOUNT OS ASSY	1
18	PSV/45/469	FM ENGINE CRADLE NS	1
19	PSV/63/343	FM ENGINE CRADLE OS	1
20	PSV/63/353	ENGINE MOUNT BUSHING	2



W00-00174

CHARGE AIR PIPEWORK ASSEMBLY

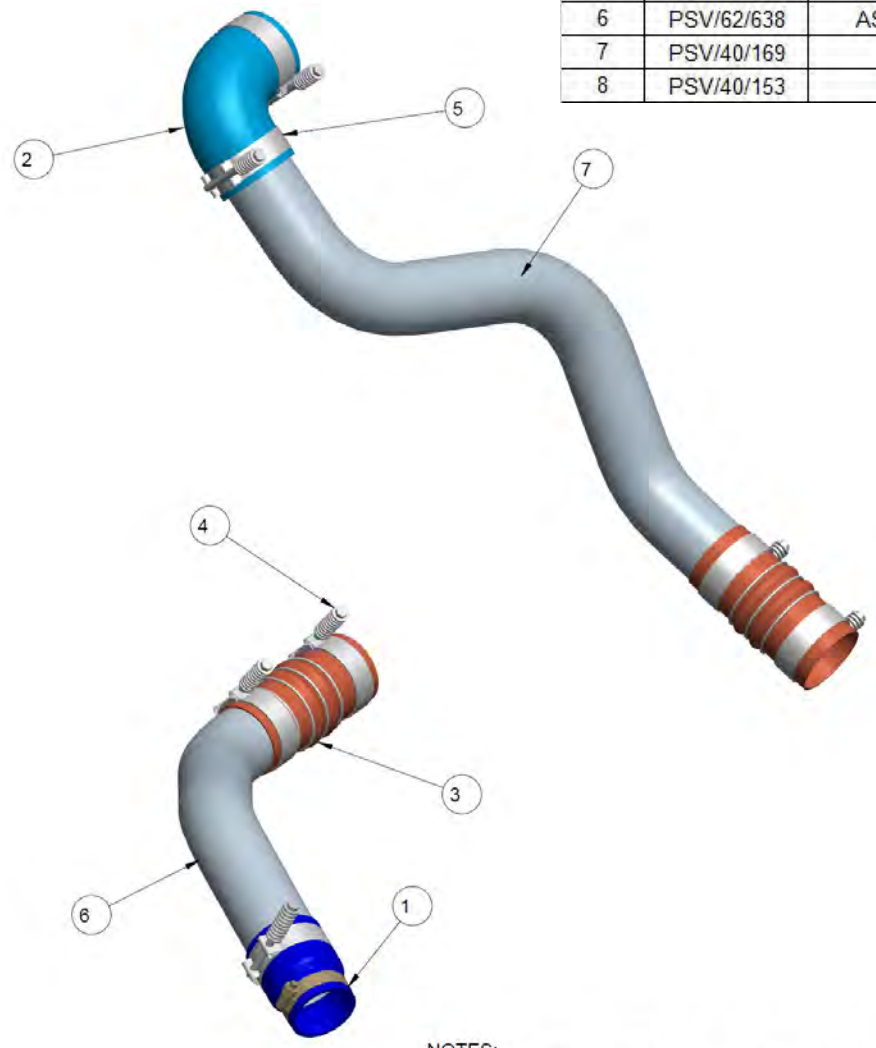


Stock Number	Description	Quantity
PSV/62/557	SILICONE REDUCER 3 TO 2.5 INCH INTAKE	1.00
PSV/15/184	SILICONE ELBOW 90DEG 76MM-76MM	1.00
PSV/15/300	INTERCOOLER SILICONE CONNECTOR	2.00
PSV/11/176	CONSTANT TORQUE S ST HOSE CLAMP 79-85mm	5.00
PSV/62/638	CHARGE AIR COOLER PIPE HOTSIDE	1.00
PSV/40/169	CHARGE AIR PIPE COLDSIDE	1.00
PSV/17/455	CONSTANT TORQUE S ST HOSE CLAMP 85-91mm	2.00
PSV/39/854	CONSTANT TORQUE S ST HOSECLAMP 68-73mm	1.00



**W00-00174
CHARGE AIR PIPEWORK ASSEMBLY**

Index	PSV Ref	Component Type	Description	Qty
1	PSV/62/557	PART	SILICONE STRAIGHT REDUCER	1
2	PSV/15/184	PART	76-76 90 SILICONE HOSE	1
3	PSV/15/300	PART	INTERCOOLER SILICONE CONNECTOR	2
4	PSV/11/176	PART	CONSTANT TORQUE S ST HOSE CLAMP 79-85mm	5
5	PSV/17/455	ASSEMBLY	CONSTANT TORQUE S ST HOSE CLAMP 85-91mm	2
6	PSV/62/638	ASSEMBLY	CHARGE AIR COOLING PIPE HOT SIDE	1
7	PSV/40/169	PART	CHARGE AIR COOLING PIPE COLD SIDE	1
8	PSV/40/153	PART	BREEZE CT HOSE CLAMP 70-92mm	1



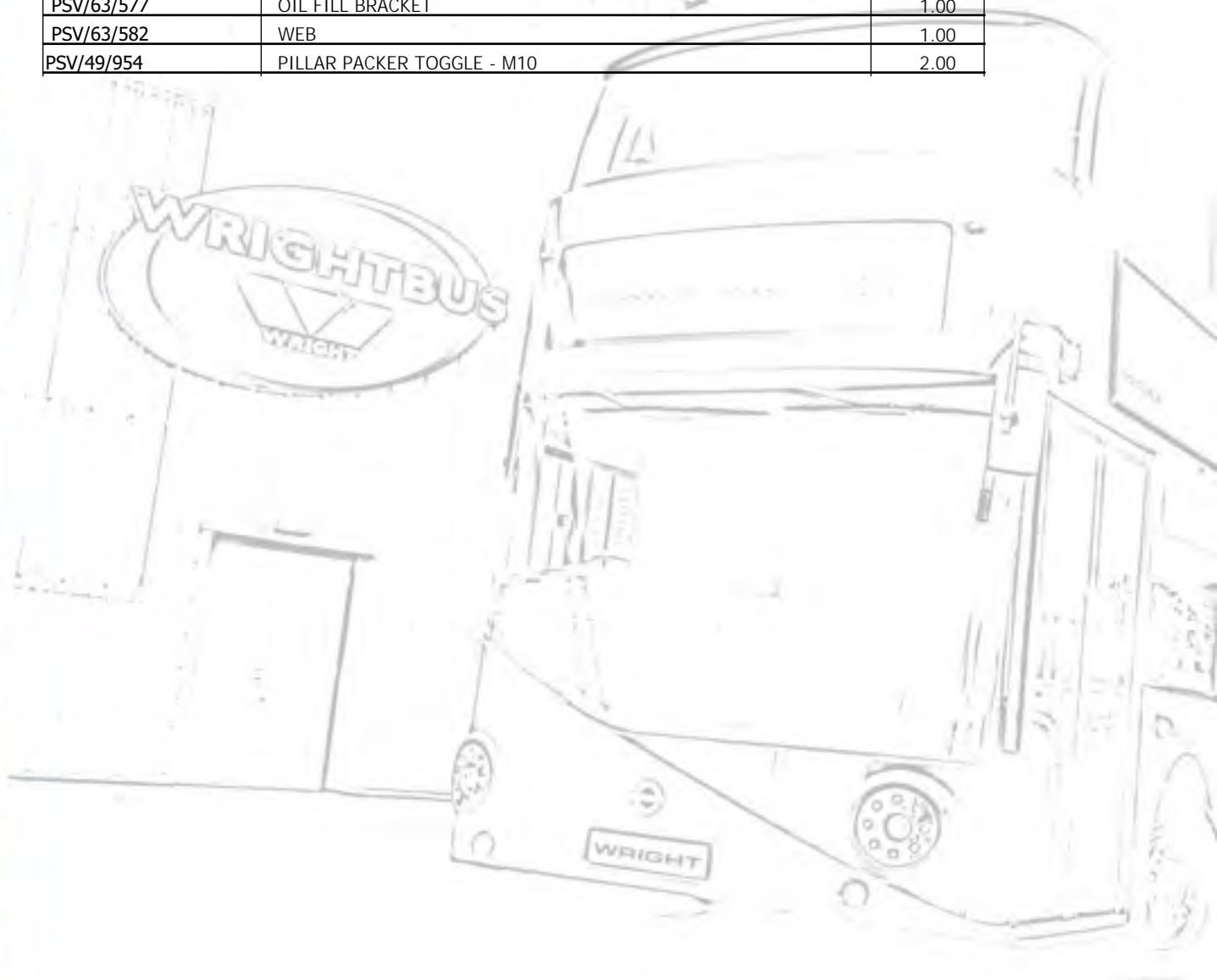
NOTES:-
 1. ALL BAND CLAMPS TO BE RE-TORQUED AFTER INITIAL BUILD UPON PDI
 2. SILICONE P80 OR EQUIVALENT LUBRICANT MAY BE USED SPARINGLY TO ASSIST ASSEMBLY OF SILICONE HOSE TO PIPEWORK

W00-00177

OIL DIP AND FILL NBFL CUMMINS ISB 4.5



Stock Number	Description	Quantity
PSV/17/428	OIL DIP STICK ASSY	1.00
PSV/62/535	BLADE FOR DIPSTICK	1.00
PSV/62/536	HANDLE FOR DIPSTICK	1.00
PSV/17/429	DIPSTICK TUBE ASSEMBLY	1.00
PSV/62/537	OIL DIP STICK TUBE	1.00
PSV/62/538	BRASS FITTING 5/8" GUIDE TUBE	1.00
PSV/63/278	20-32mm NORMA HOSE CLIP	2.00
PSV/63/289	12mm NORMA PIPE CLIPS	1.00
PSV/45/043	22mm ID REINFORCED HOSE	0.50
PSV/63/578	OIL FILL BRACKET ASSEMBLY	1.00
PSV/63/575	WEB	1.00
PSV/63/576	WEB	1.00
PSV/63/577	OIL FILL BRACKET	1.00
PSV/63/582	WEB	1.00
PSV/49/954	PILLAR PACKER TOGGLE - M10	2.00



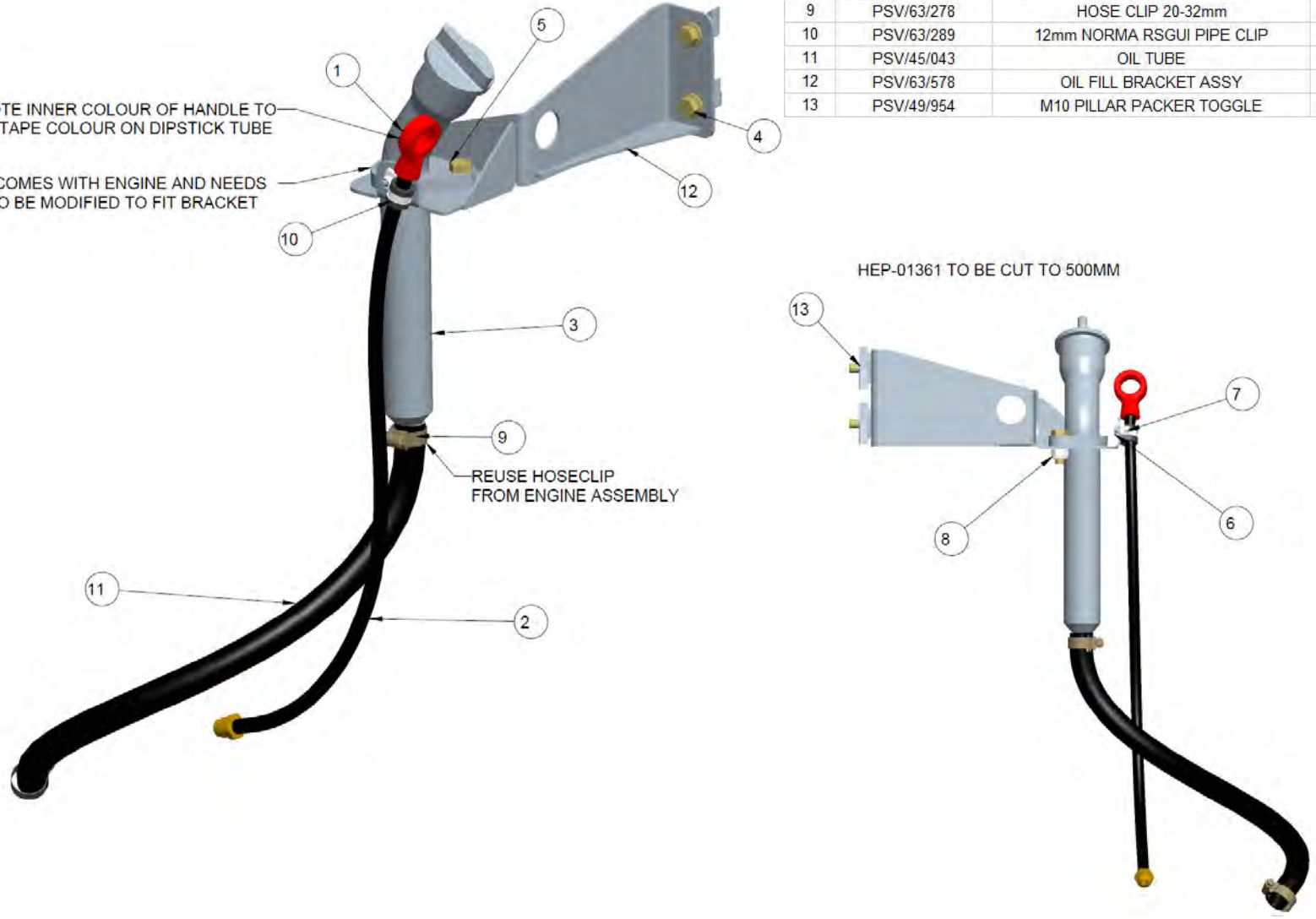
Index	PSV Ref	Description	Qty
1	PSV/17/428	DIPSTICK	1
2	PSV/17/429	DIPSTICK TUBE ASSEMBLY	1
3	CUMMINS OIL_FILL_	CUMMINS OIL FILL ASSY	1
4	PSV/61/258	M10x25 VERBUS HT12.9 BOLT	2
5	PSV/43/349	M10 x 30 CAD ENG BOLT (12.9)	2
6	PSV/61/259	M5x16 HEX HEAD BOLT ZINC AND CLEAR	1
7	PSV/61/260	M5 SELF FINISH HEX NYLOC NUT	1
8	PSV/60/826	M10 H/TENS. 10.9T NYLOCK	2
9	PSV/63/278	HOSE CLIP 20-32mm	2
10	PSV/63/289	12mm NORMA RSGUI PIPE CLIP	1
11	PSV/45/043	OIL TUBE	1
12	PSV/63/578	OIL FILL BRACKET ASSY	1
13	PSV/49/954	M10 PILLAR PACKER TOGGLE	2

NOTE INNER COLOUR OF HANDLE TO MATCH TAPE COLOUR ON DIPSTICK TUBE

ITEM 3 COMES WITH ENGINE AND NEEDS TO BE MODIFIED TO FIT BRACKET

REUSE HOSECLIP FROM ENGINE ASSEMBLY

HEP-01361 TO BE CUT TO 500MM

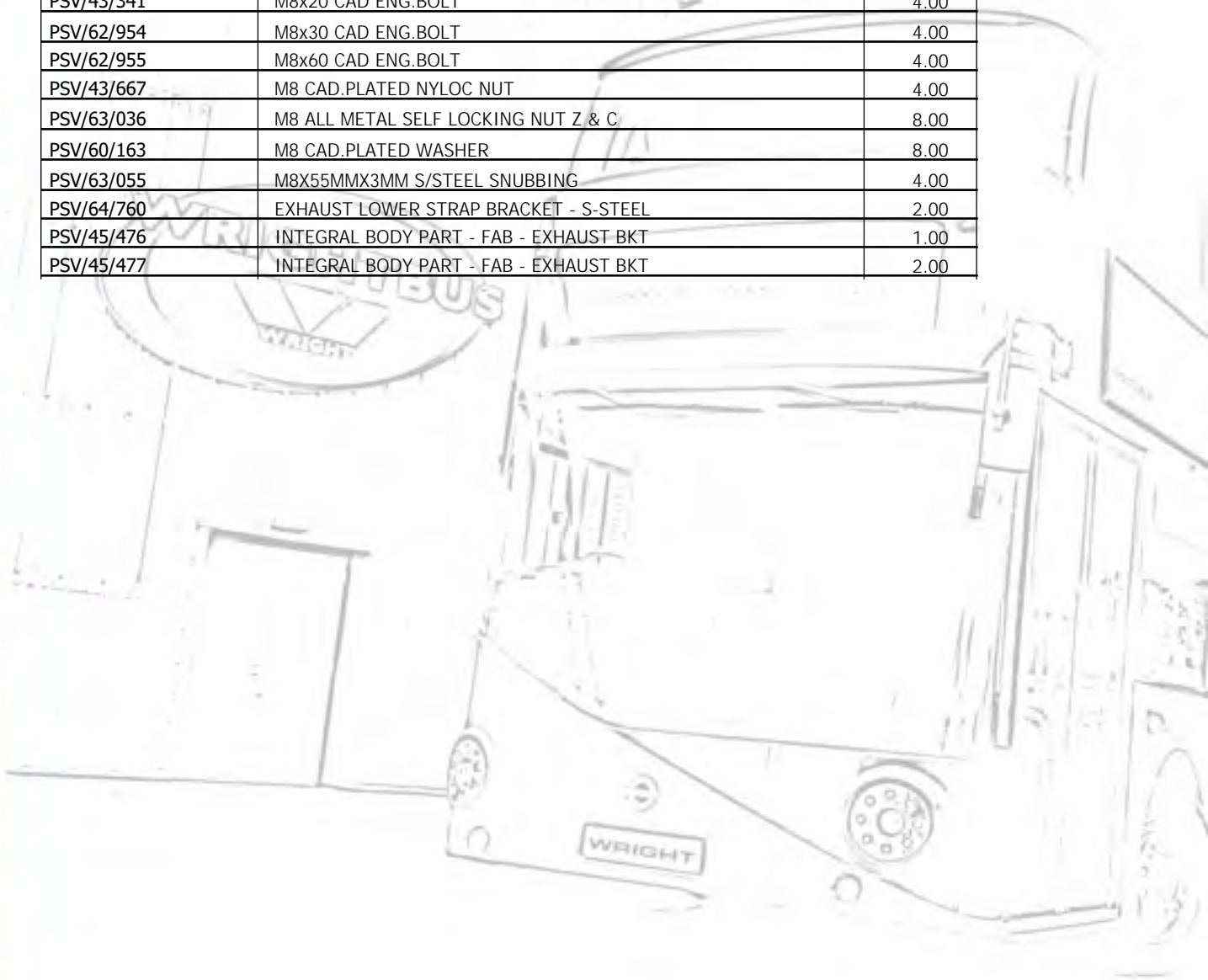


W00-00177
OIL DIP AND FILL NBFL CIMMINS ISB 4.5

W00-00186
EXHAUST SYSTEM



Stock Number	Description	Quantity
PSV/62/568	EXHAUST MOUNT	1.00
PSV/62/550	VIBRATION MOUNT HEAT RESISTANT	4.00
PSV/62/553	FERRULE VIBRATION MOUNT	4.00
PSV/60/697	VIBRATION MOUNT HEAT RESISTANT	4.00
PSV/62/567	EXHAUST BRACKET ASSY	2.00
PSV/62/551	WEB EXHAUST MOUNT SIDE MOUNT	1.00
PSV/62/569	EXHAUST MOUNT SIDE MOUNTED	1.00
PSV/45/476	INTEGRAL BODY PART - FAB - EXHAUST BKT	1.00
PSV/45/477	INTEGRAL BODY PART - FAB - EXHAUST BKT	2.00
PSV/62/570	EXHAUST STRAP MOUNT ASSY	2.00
PSV/62/571	PLATE	1.00
PSV/62/572	STRAP MOUNT	1.00
PSV/43/341	M8x20 CAD ENG.BOLT	4.00
PSV/62/954	M8x30 CAD ENG.BOLT	4.00
PSV/62/955	M8x60 CAD ENG.BOLT	4.00
PSV/43/667	M8 CAD.PLATED NYLOC NUT	4.00
PSV/63/036	M8 ALL METAL SELF LOCKING NUT Z & C	8.00
PSV/60/163	M8 CAD.PLATED WASHER	8.00
PSV/63/055	M8X55MMX3MM S/STEEL SNUBBING	4.00
PSV/64/760	EXHAUST LOWER STRAP BRACKET - S-STEEL	2.00
PSV/45/476	INTEGRAL BODY PART - FAB - EXHAUST BKT	1.00
PSV/45/477	INTEGRAL BODY PART - FAB - EXHAUST BKT	2.00



W00-00196

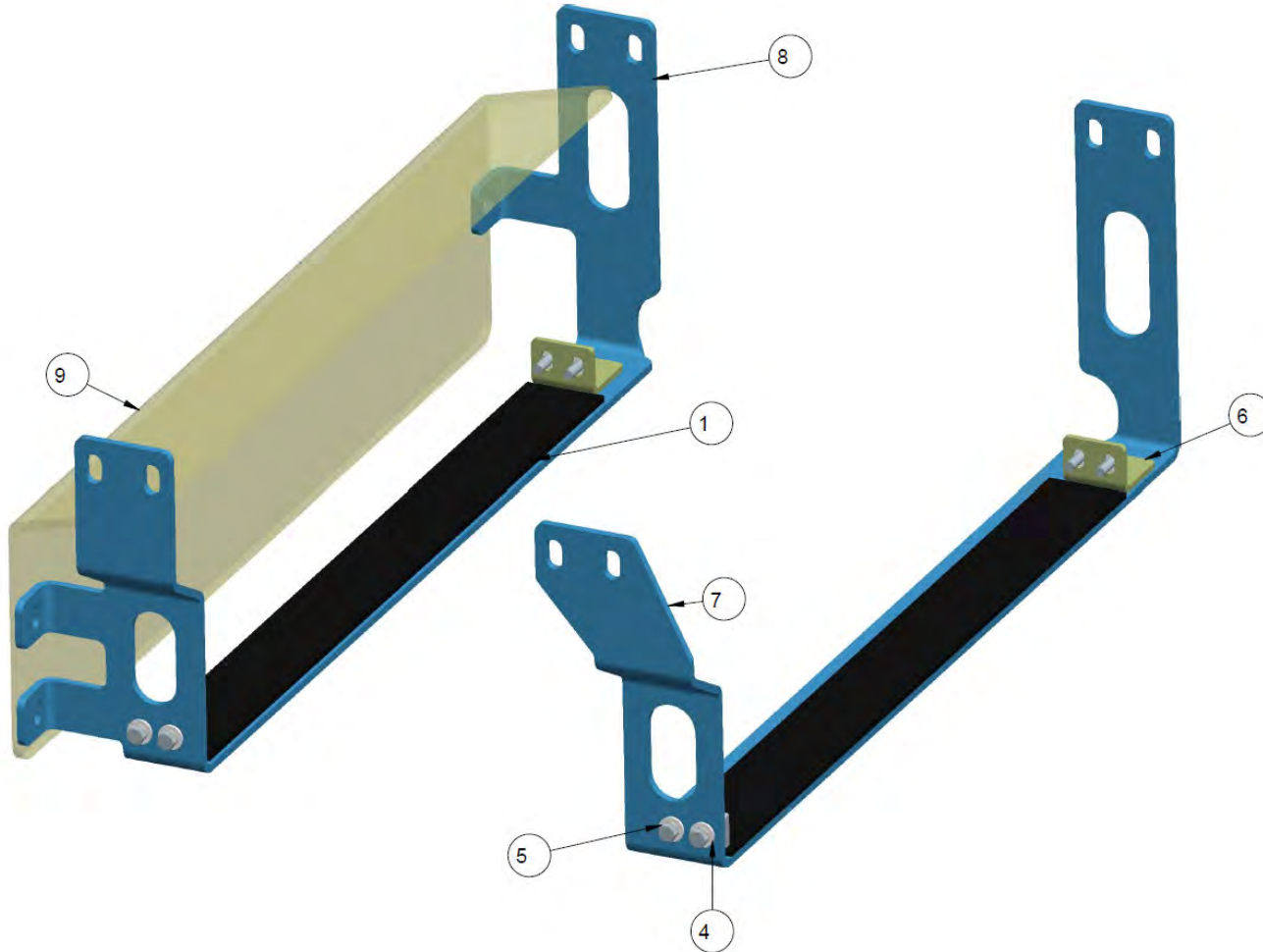
DC-DC CONVERTER SUPPORT FRAME



Stock Number	Description	Quantity
PSV/62/968	M5x20 HEX HEAD BOLT Zn&Clr	4.00
PSV/63/653	BRACKET TIE BAR	2.00
PSV/63/696	DC-DC INNER BRACKET W/A	1.00
PSV/63/652	BRACKET LEFT HAND SIDE	1.00
PSV/63/695	PACKER PLATE - DC UNIT	1.00
PSV/63/697	DC-DC OUTER BRACKET W/A	1.00
PSV/63/676	DC DC BRACKET	1.00
PSV/63/695	PACKER PLATE - DC UNIT	1.00
PSV/64/686	DC-DC CONVERTER COVER - POLYCARBONATE	1.00



Index	PSV Ref	Component Type	Description	Qty
1	3MM_FOAM	PART	3MM_FOAM	2
2	PSV/62/968	PART	M5x20 HEX HEAD BOLT ZINC AND CLEAR	4
3	PSV/61/259	PART	M5x16 HEX HEAD BOLT ZINC AND CLEAR	4
4	PSV/61/242	PART	3/16" BRIGHT STEEL WASHER	8
5	PSV/61/261	PART	3/16" SPRING WASHER	8
6	PSV/63/653	ASSEMBLY	DC UNIT FIXING ANGLE	2
7	PSV/63/696	ASSEMBLY	DC-DC INNER BRACKET W/A	1
8	PSV/63/697	PART	DC-DC OUTER BRACKET W/A	1
9	PSV/64/686	PART	DC-DC CONVERTER COVER	1



W00-00196
DC-DC CONVERTER SUPPORT FRAME



W00-00209

HYBRID COOLING CIRCUIT



Stock Number	Description	Quantity
PSV/62/541	BASF G48 COOLANT 50/50 MIX 220L DRUM	0.18
PSV/62/607	COPPER PIPING ASSY	1.00
PSV/62/669	22MM COPPER PIPE	1.00
PSV/62/670	22MM COPPER PIPE ANGLED	1.00
PSV/62/671	22MM COPPER PIPE BEADED	1.00
PSV/63/220	22mm COPPER SOLDER ELBOW	2.00
PSV/62/649	COPPER PIPE	1.00
PSV/62/711	3/4" BARB HOSE TO 19MM MACHINE END	1.00
PSV/63/222	22mm OBTUSE ELBOW 45 DEG	1.00
PSV/62/608	COPPER PIPING ASSY	1.00
PSV/62/668	22MM COPPER PIPE BEADED	1.00
- PSV/63/002	22MM COPPER PIPE	1.00
PSV/62/672	22MM COPPER PIPE ANGLED	1.00
PSV/62/673	22MM COPPER PIPE BENT	1.00
PSV/62/711	3/4" BARB HOSE TO 19MM MACHINE END	1.00
PSV/63/220	22mm COPPER SOLDER ELBOW	1.00
PSV/63/221	22mm TEE CU24	1.00
PSV/62/610	COPPER PIPE ASSY	1.00
PSV/62/647	COPPER BEADED PIPE	1.00
PSV/62/648	COPPER BEADED PIPE	1.00
PSV/62/649	COPPER PIPE	1.00
PSV/63/240	SERVICING STRAIGHT VALVE, 22mm TO 22mm	1.00
PSV/63/249	22x22x15mm COPPER TEE	1.00
PSV/63/308	DRAIN VALVE TO SUIT 15mm COPPER PIPE	1.00
PSV/62/613	COPPER PIPE ASSY	1.00
PSV/62/655	FORMED COPPER PIPE	1.00
PSV/63/220	22mm COPPER SOLDER ELBOW	1.00
PSV/62/649	COPPER PIPE	1.00
PSV/62/656	COPPER PIPE BEADED	2.00
PSV/63/221	22mm TEE CU24	1.00
PSV/62/618	COPPER PIPE ASSY	1.00
PSV/62/674	22MM COPPER CUT PIPE	1.00
PSV/62/675	22MM COPPER PIPE ANGLED	1.00
PSV/62/676	28MM COPPER CUT PIPE	1.00
PSV/62/677	22MM COPPER CUT PIPE	1.00
PSV/62/678	28MM COPPER PIPE CUT	1.00
PSV/62/679	28MM COPPER PIPE CUT	1.00
PSV/63/219	28x22x22mm COPPER TEE YP27	1.00
PSV/63/220	22mm COPPER SOLDER ELBOW	1.00
PSV/62/050	28mm ELBOW CU12	1.00
PSV/63/247	COPPER SOLDER TEE 28/28/15	1.00
PSV/63/254	22mm YORKSHIRE STRAIGHT CONNECTOR YPS1	2.00
PSV/63/308	DRAIN VALVE TO SUIT 15mm COPPER PIPE	1.00
PSV/62/619	COPPER PIPE ASSEMBLY	1.00
PSV/62/649	COPPER PIPE	2.00
PSV/62/656	COPPER PIPE BEADED	1.00
PSV/62/680	22MM COPPER CUT PIPE	1.00
PSV/62/711	3/4" BARB HOSE TO 19MM MACHINE END	1.00
PSV/63/220	22mm COPPER SOLDER ELBOW	1.00



W00-00209

HYBRID COOLING CIRCUIT



Stock Number	Description	Quantity
PSV/63/221	22mm TEE CU24	1.00
PSV/62/622	COPPER PIPE ASSY HYBRID RAD AND SERVICE	1.00
PSV/62/688	22MM COPPER PIPE BEADED	1.00
PSV/62/689	22MM COPPER PIPE	1.00
PSV/62/690	22MM COPPER PIPE	1.00
PSV/62/691	22MM COPPER PIPE BEADED	1.00
PSV/63/220	22mm COPPER SOLDER ELBOW	1.00
PSV/63/240	SERVICING STRAIGHT VALVE, 22mm TO 22mm	1.00
PSV/63/249	22x22x15mm COPPER TEE	1.00
PSV/63/308	DRAIN VALVE TO SUIT 15mm COPPER PIPE	1.00
PSV/62/630	COPPER PIPE ASSY	2.00
PSV/62/711	3/4" BARB HOSE TO 19MM MACHINE END	1.00
PSV/62/712	22MM COPPER PIPE CUT	1.00
PSV/62/631	COPPER PIPE ASSY	1.00
PSV/62/713	15MM COPPER PIPE BEADED	1.00
PSV/62/714	22MM COPPER PIPE	1.00
PSV/62/715	22MM COPPER PIPE	1.00
PSV/62/716	22MM COPPER PIPE	1.00
PSV/63/220	22mm COPPER SOLDER ELBOW	1.00
PSV/63/231	FITTING - 15mm STUB TO 12mm BARB	1.00
PSV/63/245	15-22MM COPPER REDUCER	1.00
PSV/63/249	22x22x15mm COPPER TEE	1.00
PSV/62/632	COPPER PIPE ASSY	1.00
PSV/62/713	15MM COPPER PIPE BEADED	1.00
PSV/62/717	22MM COPPER PIPE	1.00
PSV/62/718	22MM COPPER PIPE	1.00
PSV/62/719	22MM COPPER PIPE	1.00
PSV/62/733	22MM COPPER PIPE	4.00
PSV/63/220	22mm COPPER SOLDER ELBOW	1.00
PSV/63/231	FITTING - 15mm STUB TO 12mm BARB	1.00
PSV/63/240	SERVICING STRAIGHT VALVE, 22mm TO 22mm	2.00
PSV/63/245	15-22MM COPPER REDUCER	1.00
PSV/63/249	22x22x15mm COPPER TEE	3.00
PSV/63/308	DRAIN VALVE TO SUIT 15mm COPPER PIPE	1.00
PSV/63/257	15mm- 15mm COPPER STRAIGHT COUPLING	1.00
PSV/44/950	15mm COMPRESSION BALL VALVE WITH HANDLE	1.00
PSV/62/739	15MM COPPER PIPE	2.00
PSV/62/633	COPPER PIPE ASSY	1.00
PSV/62/720	22MM COPPER PIPE CUT	2.00
PSV/62/721	22MM COPPER PIPE CUT	1.00
PSV/62/722	22MM COPPER PIPE CUT	1.00
PSV/62/723	28MM COPPER PIPE	1.00
PSV/63/220	22mm COPPER SOLDER ELBOW	2.00
PSV/63/221	22mm TEE CU24	1.00
PSV/63/254	22mm YORKSHIRE STRAIGHT CONNECTOR YPS1	3.00
PSV/62/734	22MM COPPER PIPE	1.00
PSV/62/735	22MM COPPER PIPE	1.00
PSV/62/741	3/8BSP FEMALE 90, 1/2" HOSE INSERT	2.00
PSV/63/230	3/8" ID BONDED WASHER	2.00



W00-00209

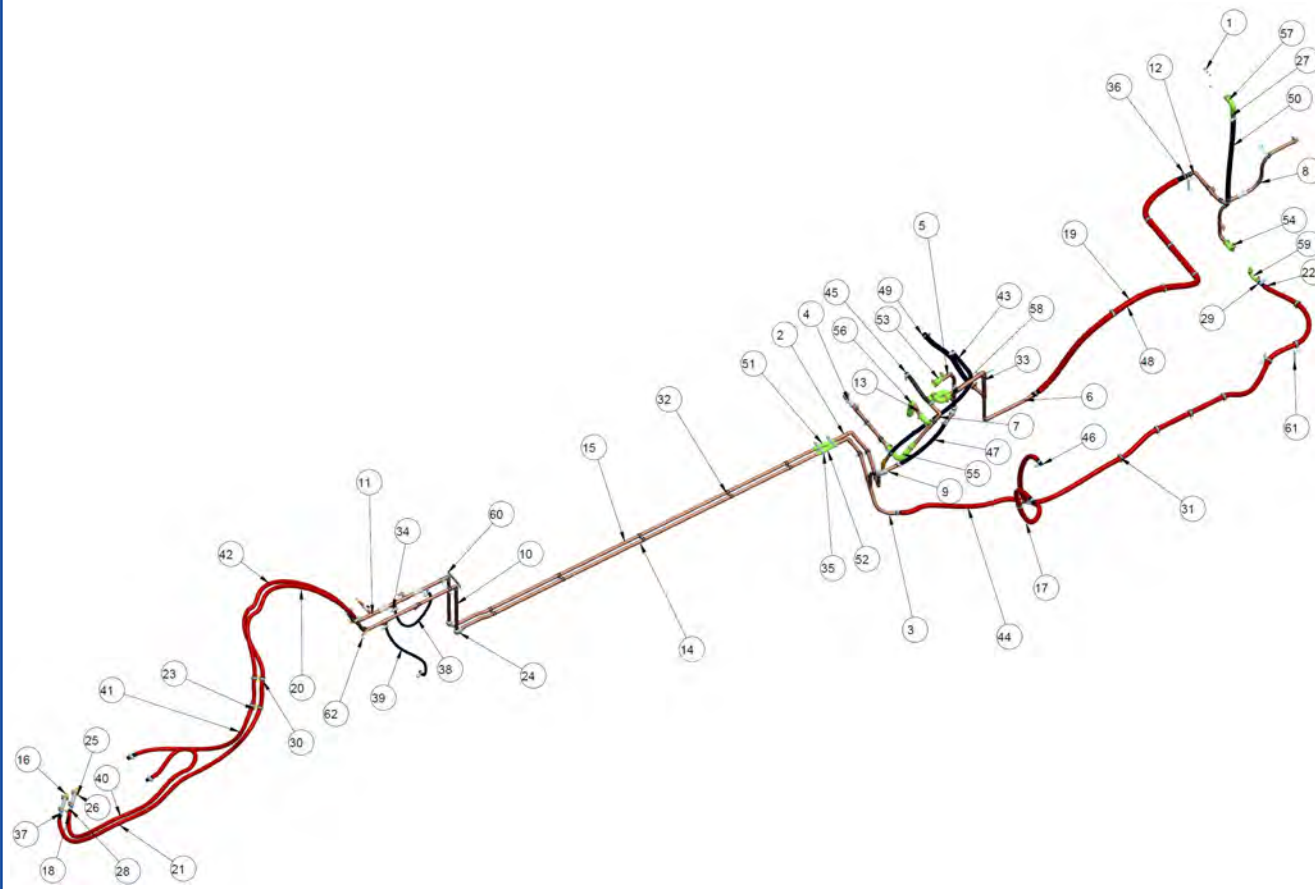
HYBRID COOLING CIRCUIT



Stock Number	Description	Quantity
PSV/63/239	3/8" BSP MALE/MALE ADAPTER	2.00
PSV/63/250	REDUCING HOSE REPAIRER - 5/8" TO 1/2"	2.00
PSV/44/978	NORMA RSGUI 28/20 CLIP	4.00
PSV/44/980	NORMA RSGUI 35/20 CLIP	14.00
PSV/63/279	NORMA RSGUI 25MM CLIP	30.00
PSV/63/280	NORMA RSGUI 22mm CLIP	40.00
PSV/63/288	32mm NORMA PIPE CLIP	30.00
PSV/63/300	COOLANT HOSE 12.7 mm DIA	2.00
PSV/63/301	COOLANT HOSE 15.88 mm DIA	8.00
PSV/63/302	COOLANT HOSE 19.05 mm DIA	12.00
PSV/45/020	COOLANT HOSE 25.05 mm DIA	5.00
PSV/45/058	STRAIGHT 22MM X 1000MM	1.00
PSV/15/168	90 ELB 22MM X 154MM LEGS	2.00
PSV/15/144	25-22mm 'ELB' SILICONE, 154mm LEGS	2.00
PSV/63/719	PIPEWORK SUPPORT BRACKET	1.00
PSV/62/635	BLEEDER ASSEMBLY - COPPER PIPE	1.00
PSV/62/740	22mm COPPER PIPE	2.00
PSV/63/249	22x22x15mm COPPER TEE	1.00
PSV/63/308	DRAIN VALVE TO SUIT 15mm COPPER PIPE	1.00
PSV/63/225	22mm 90 DEG ELBOW PLASTIC PUSH FITTING	4.00
PSV/63/296	BREEZE CT HOSE CLAMP 16-27MM	5.00
PSV/44/993	BREEZE CT HOSE CLAMP 20-32 MM	25.00
PSV/44/994	BREEZE CT HOSE CLAMP 25-40 MM	27.00
PSV/45/066	STRAIGHT REDUCER 28-22MM X 100MM	1.00
PSV/15/172	28mm 'ELB' SILICONE, 171mm LEGS	1.00
PSV/50/542	HEATER PIPE BRACKET	12.00
PSV/63/293	40mm I/D P-CLIP, ST'LESS STEEL 20mm BAND	15.00
PSV/42/414	28mm BLACK SPLIT CONDUIT (SV46)	20.00
PSV/45/068	90 RED ELB 22/15MM X 100MM LEGS	1.00
PSV/63/321	15mm SILICON ELBOW EQUI LENGTH	1.00
PSV/63/258	REDUCING HOSE REPAIRER 3/4" TO 5/8"	1.00
PSV/62/263	1/8 BSPP BLANKING PLUG	4.00
PSV/63/286	22mm NORMA PIPE CLIP	30.00
PSV/63/248	1" BARB TO 1" BARB HOSE JOINER - BRASS	1.00
PSV/50/544	PIPE FIITING SUPPORT BRACKET	2.00
PSV/45/073	25MM ELBOW SILICONE, 154MM LEGS	4.00
PSV/62/959	M6X30 M1/B38 BIGHEAD BOLT	2.00

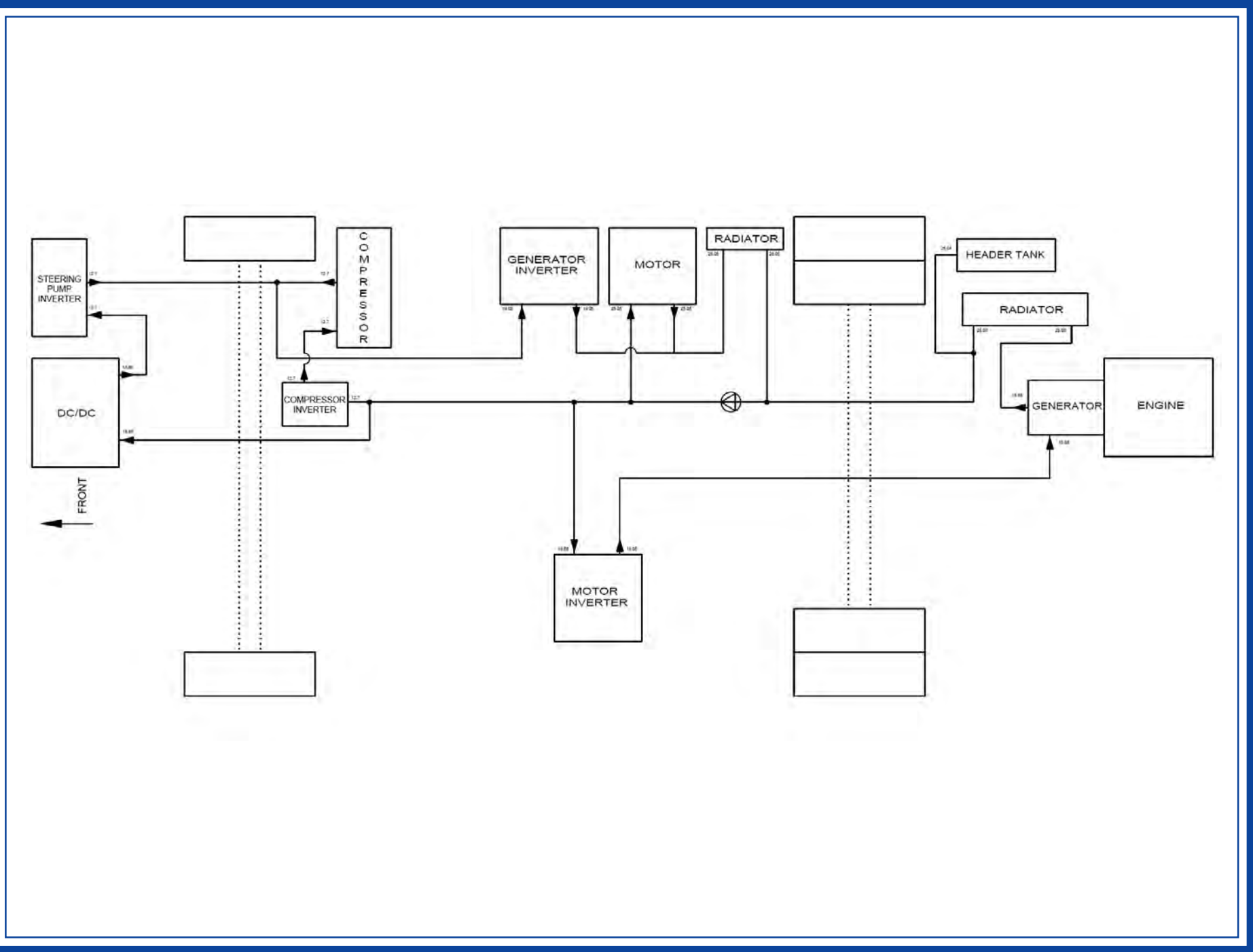


W00-00209
HYBRID COOLING CIRCUIT

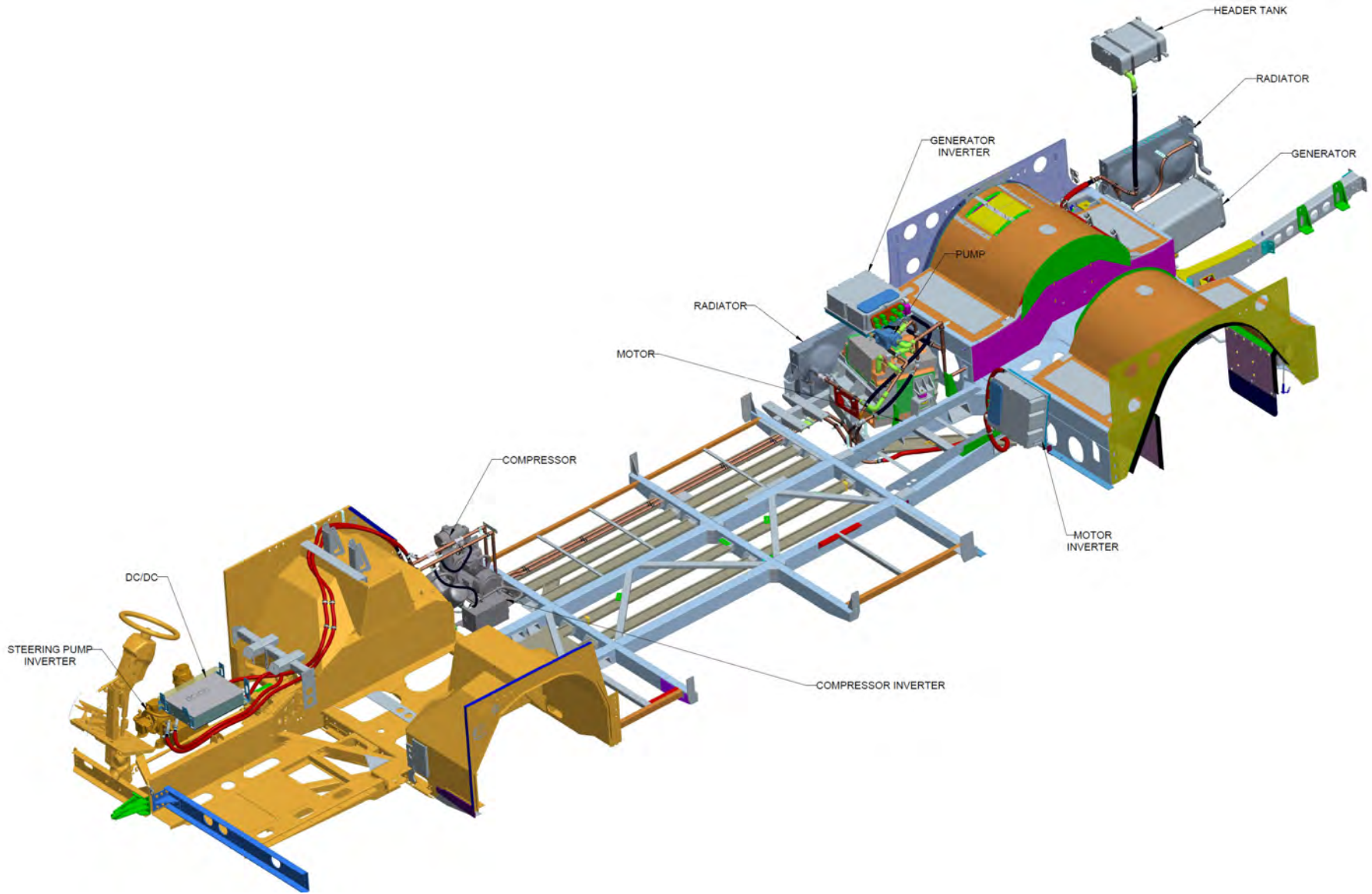


3	PSV/62/608	COPPER PIPE ASSY	1
4	PSV/62/610	COPPER_PIPE_ASSY	1
5	PSV/62/613	PIPE ASSEMBLY	1
6	PSV/62/618	COPPER PIPE ASSEMBLY	1
7	PSV/62/619	COPPER PIPE ASSY	1
8	PSV/62/622	COPPER PIPE ASSY	1
9	PSV/62/630	COPPER PIPE ASSEMBLY	2
10	PSV/62/631	COPPER PIPE ASSY	1
11	PSV/62/632	COPPER PIPE ASSY	1
12	PSV/62/633	22 MM COPPER PIPE ASSY	1
13	PSV/62/635	COPPER PIPE ASSEMBLY	1
14	PSV/62/734	22MM COPPER PIPE	1
15	PSV/62/735	22MM COPPER PIPE	1
16	PSV/62/741	M12x1.5 MALE TO 10mm BARBED HOSE TAIL	2
17	PSV/42/414	28.3 OD SPLIT CONDUIT	1
18	PSV/42/414	28.3 OD SPLIT CONDUIT	1
19	PSV/42/414	28.3 OD SPLIT CONDUIT	1
20	PSV/42/414	28.3 OD SPLIT CONDUIT	1
21	PSV/42/414	28.3 OD SPLIT CONDUIT	1
22	PSV/42/414	28.3 OD SPLIT CONDUIT	1
23	PSV/62/959	M6x30mm BIG HEAD	2
24	PSV/63/225	22mm 90 DEG ELBOW	4
25	PSV/63/230	3/8" BSP BONDED SEAL	2
26	PSV/63/239	3/8" BSP-MALE/MALE ADAPTOR	2
27	PSV/63/248	1" TO 1" HOSE JOINER	1
28	PSV/63/250	5/8" TO 1/2" HOSE	2
29	PSV/63/258	JOINER 3/8" TO 5/8" HOSE JOINER	1
30	PSV/44/978	NORMA CLIP- 28MM	4
31	PSV/44/980	NORMA CLIP- 35MM	14
32	PSV/63/286	NORMA CLIP-22MM	30
33	PSV/63/288	TBD	1
34	PSV/63/296	BREEZE CT HOSE CLAMP 16-27mm	5
35	PSV/44/993	BREEZE CLAMP-20-32mm	25
36	PSV/44/994	BREEZE CT HOSE CLAMP 25-40mm	27
37	PSV/63/300_CUT_TO_130	12.7mm COOLANT HOSE	2
38	PSV/63/300_CUT_TO_600	12.7mm COOLANT HOSE	1
39	PSV/63/300_CUT_TO_700	12.7mm COOLANT HOSE	1
40	PSV/63/300_CUT_TO_1760	15.88mm COOLANT HOSE	1
41	PSV/63/301_CUT_TO_2490	15.88mm COOLANT HOSE	1
42	PSV/63/301_CUT_TO_3500	15.88mm COOLANT HOSE	1
43	PSV/63/302_CUT_TO_1000	19.05mm COOLANT HOSE	1
44	PSV/63/302_CUT_TO_1700	19.05mm COOLANT HOSE	1
45	PSV/63/302_CUT_TO_350	19.05mm COOLANT HOSE	1
46	PSV/63/302_CUT_TO_3800	19.05mm COOLANT HOSE	1
47	PSV/63/302_CUT_TO_530	19.05mm COOLANT HOSE	1
48	PSV/45/020_CUT_TO_2800	25.05mm COOLANT HOSE	1
49	PSV/45/020_CUT_TO_750	25.05mm COOLANT HOSE	1
50	PSV/45/020_CUT_TO_900	25.05mm COOLANT HOSE	1
51	PSV/45/058_CUT_TO_140	22mm STR SILICONE	1
52	PSV/45/058_CUT_TO_145	22mm STR SILICONE	1
53	PSV/45/066	28mm -22mm SILICONE REDUCER	1
54	PSV/45/068	28mm 90 DEGREE SILICONE ELBOW	1
55	PSV/15/168	22mm 90 DEGREE SILICONE ELBOW	2
56	PSV/15/144	25-22mm SILICONE ELBOW	2
57	PSV/45/073	25mm 90 Deg. SILICONE ELBOW	1
58	PSV/15/172	28mm 90 DEGREE SILICONE ELBOW	1
59	PSV/63/321	28mm 90 DEGREE SILICONE ELBOW	1
60	PSV/63/719	PIPE WORK SUPPORT BRACKET	1
61	PSV/50/542	HEATER PIPE BRACKET	9
62	PSV/50/544	PIPE FITTING SUPPORT BRKT	2

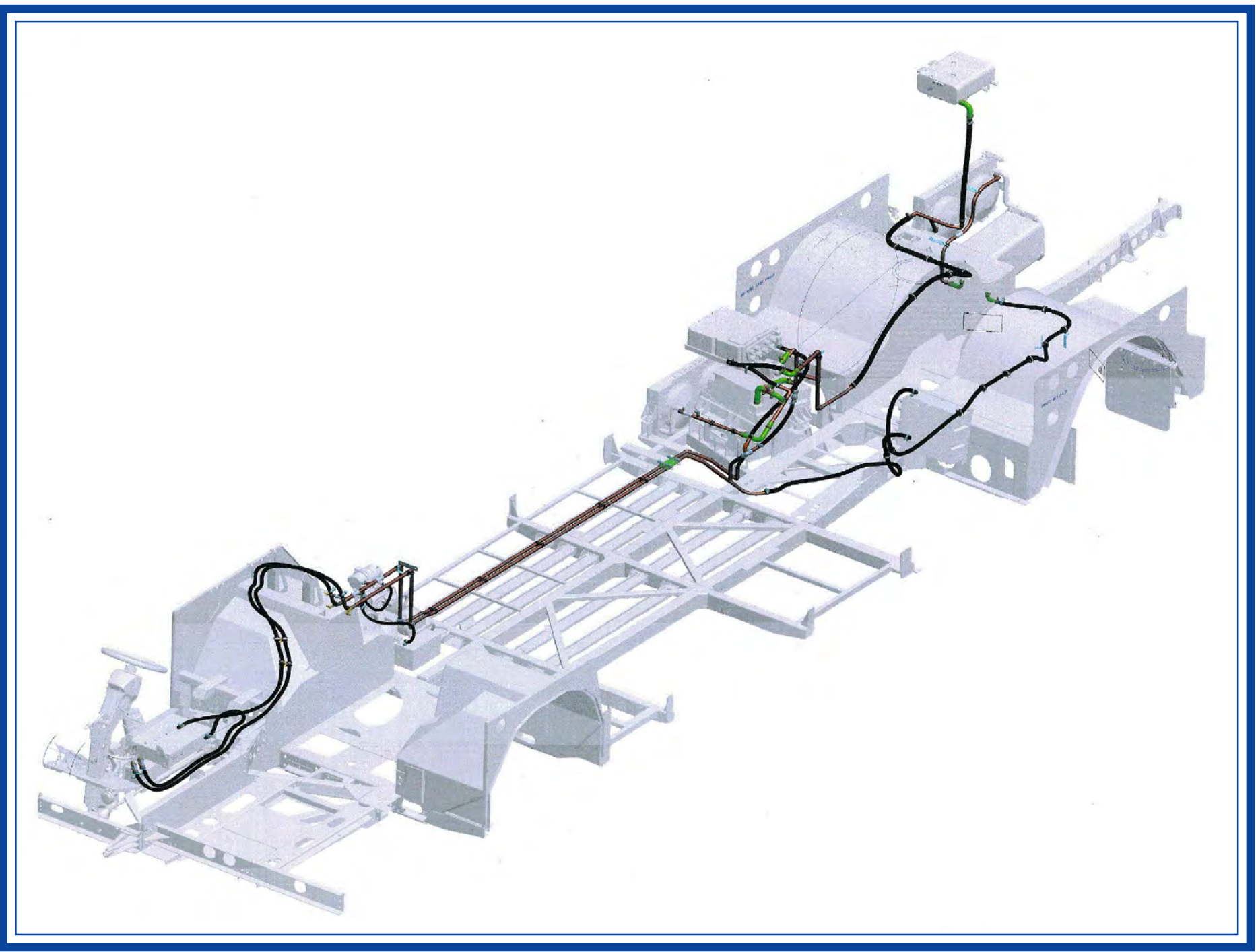
W00-00209
HYBRID COOLING CIRCUIT



W00-00209
HYBRID COOLING CIRCUIT



W00-00209
HYBRID COOLING CIRCUIT





W00-00210

SALOON AND DEMIST PIPING



Stock Number	Description	Quantity
PSV/62/611	COPPER PIPE ASSY	1.00
PSV/62/650	COPPER PIPE BEADED	1.00
PSV/62/651	COPPER PIPE	1.00
PSV/62/652	COPPER PIPE BEADED	1.00
PSV/62/050	28mm ELBOW CU12	2.00
PSV/62/612	COPPER PIPE ASSY	1.00
PSV/62/651	COPPER PIPE	1.00
PSV/62/653	COPPER PIPE BEADED	1.00
PSV/62/654	COPPER PIPE BEADED	1.00
PSV/62/050	28mm ELBOW CU12	2.00
PSV/62/614	SALOON HEATER PIPING	1.00
PSV/62/657	28mm COPPER BEADED PIPE	1.00
PSV/62/658	28mm COPPER BEADED PIPE	1.00
PSV/62/050	28mm ELBOW CU12	1.00
PSV/62/615	28mm COPPER SALOON HEATER PIPING	1.00
PSV/62/657	28mm COPPER BEADED PIPE	1.00
PSV/62/659	28mm COPPER BEADED PIPE	1.00
PSV/62/050	28mm ELBOW CU12	1.00
PSV/15/394	COPPER PIPE ASSEMBLY	1.00
PSV/62/664	22MM COPPER PIPE	1.00
PSV/62/665	22MM COPPER PIPE	1.00
PSV/62/666	22MM COPPER PIPE	1.00
PSV/62/667	22MM COPPER PIPE BEADED	2.00
PSV/63/220	22mm COPPER SOLDER ELBOW	2.00
PSV/63/221	22mm TEE CU24	1.00
PSV/40/157	COPPER PIPE ASSY	1.00
PSV/62/681	22MM COPPER PIPE CUT	3.00
PSV/63/222	22mm OBTUSE ELBOW 45 DEG	2.00
PSV/62/052	35-22mm COPPER BEADED REDUCER	1.00
PSV/62/620	COPPER PIPE ASSY	1.00
PSV/62/684	28MM COPPER PIPE BEADED	1.00
PSV/62/729	22MM COPPER PIPE	1.00
PSV/62/050	28mm ELBOW CU12	1.00
PSV/62/621	COPPER PIPE ASSY	1.00
PSV/62/684	28MM COPPER PIPE BEADED	1.00
PSV/62/728	28MM COPPER PIPE	1.00
PSV/62/050	28mm ELBOW CU12	1.00
PSV/62/623	COPPER PIPE ASSY	1.00
PSV/62/692	35MM COPPER PIPE	1.00
PSV/62/693	22MM COPPER PIPE BEADED	1.00
PSV/62/730	35MM COPPER PIPE	1.00
PSV/62/731	35MM COPPER PIPE	1.00
PSV/62/732	35MM COPPER PIPE	1.00
PSV/63/218	35x35x22mm COPPER TEE	1.00
PSV/63/246	COPPER TEE 28/28/35	1.00
PSV/62/624	COPPER PIPE ASSY ENGINE BAY	1.00
PSV/62/685	35MM COPPER PIPE BEADED	1.00
PSV/62/686	28MM COPPER PIPE BEADED	1.00
PSV/62/687	28MM COPPER PIPE BEADED	1.00



W00-00210

SALOON AND DEMIST PIPING



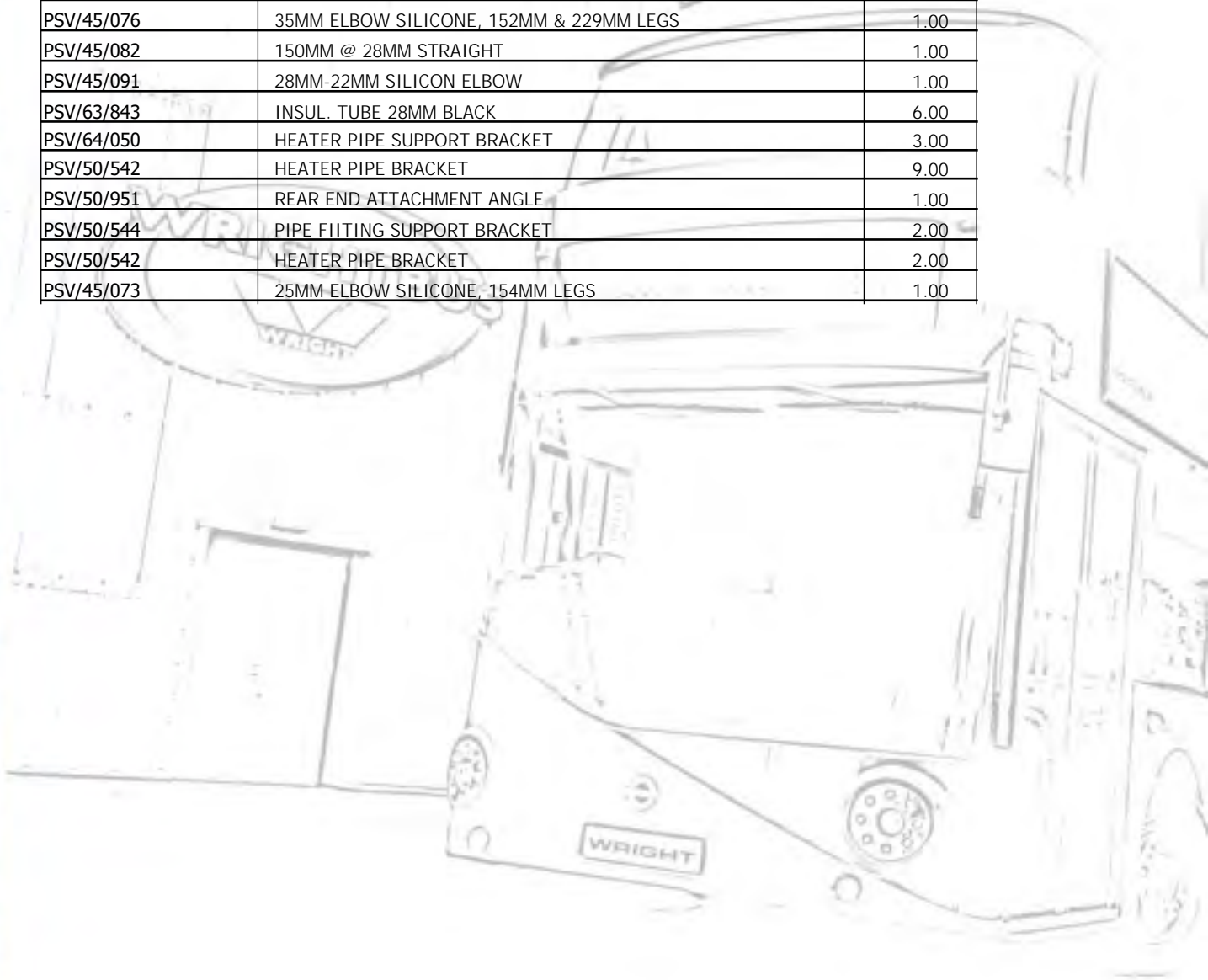
Stock Number	Description	Quantity
PSV/62/694	22MM COPPER PIPE BEADED	1.00
PSV/62/695	35MM COPPER PIPE BEADED	1.00
PSV/62/725	35MM COPPER PIPE	1.00
PSV/62/726	22MM COPPER PIPE	1.00
PSV/62/727	22MM COPPER PIPE	1.00
PSV/63/218	35x35x22mm COPPER TEE	2.00
PSV/63/220	22mm COPPER SOLDER ELBOW	1.00
PSV/63/246	COPPER TEE 28/28/35	1.00
PSV/63/254	22mm YORKSHIRE STRAIGHT CONNECTOR YPS1	1.00
PSV/62/625	COPPER PIPE ASSY	1.00
PSV/62/696	22MM COPPER PIPE	1.00
PSV/62/697	22MM COPPER PIPE BEADED	1.00
PSV/62/698	22MM COPPER PIPE	1.00
PSV/62/711	3/4" BARB HOSE TO 19MM MACHINE END	1.00
PSV/63/220	22mm COPPER SOLDER ELBOW	2.00
PSV/40/158	COPPER PIPE ASSY	1.00
PSV/62/699	22MM COPPER PIPE BEADED	1.00
PSV/62/700	22MM COPPER PIPE	1.00
PSV/62/701	22MM COPPER PIPE	1.00
PSV/62/711	3/4" BARB HOSE TO 19.5MM MACHINE END	1.00
PSV/63/220	22mm COPPER SOLDER ELBOW	2.00
PSV/62/626	COPPER PIPE ASSY	1.00
PSV/62/702	22MM COPPER PIPE	1.00
PSV/62/703	22MM COPPER PIPE	1.00
PSV/62/711	3/4" BARB HOSE TO 19MM MACHINE END	1.00
PSV/63/220	22mm COPPER SOLDER ELBOW	1.00
PSV/62/627	COPPER PIPE ASSY	1.00
PSV/62/704	22MM COPPER PIPE	1.00
PSV/62/705	22MM COPPER PIPE	1.00
PSV/62/711	3/4" BARB HOSE TO 19MM MACHINE END	1.00
PSV/63/220	22mm COPPER SOLDER ELBOW	1.00
PSV/62/634	COPPER PIPE ASSY	1.00
PSV/62/682	28MM COPPER PIPE	1.00
PSV/62/683	28MM COPPER PIPE BEADED	1.00
PSV/63/247	COPPER SOLDER TEE 28/28/15	1.00
PSV/63/308	DRAIN VALVE TO SUIT 15mm COPPER PIPE	1.00
PSV/62/724	28MM COPPER PIPE	1.00
PSV/62/737	22MM COPPER PIPE BEADED	1.00
PSV/62/738	22MM COPPER PIPED BEADED	1.00
PSV/42/414	28mm BLACK SPLIT CONDUIT (SV46)	8.00
PSV/62/889	CONDUIT-FLEX CORR PVC 25	5.00
PSV/63/244	22MM COMPRESSION TO 3/4 BSP FITTING	1.00
PSV/63/248	1" BARB TO 1" BARB HOSE JOINER - BRASS	1.00
PSV/44/978	NORMA RSGUI 28/20 CLIP	28.00
PSV/44/980	NORMA RSGUI 35/20 CLIP	8.00
PSV/63/284	NORMA RSGUI 30/15 CLIP	4.00
PSV/63/286	22mm NORMA PIPE CLIP	32.00
PSV/63/288	32mm NORMA PIPE CLIP	14.00

W00-00210

SALOON AND DEMIST PIPING



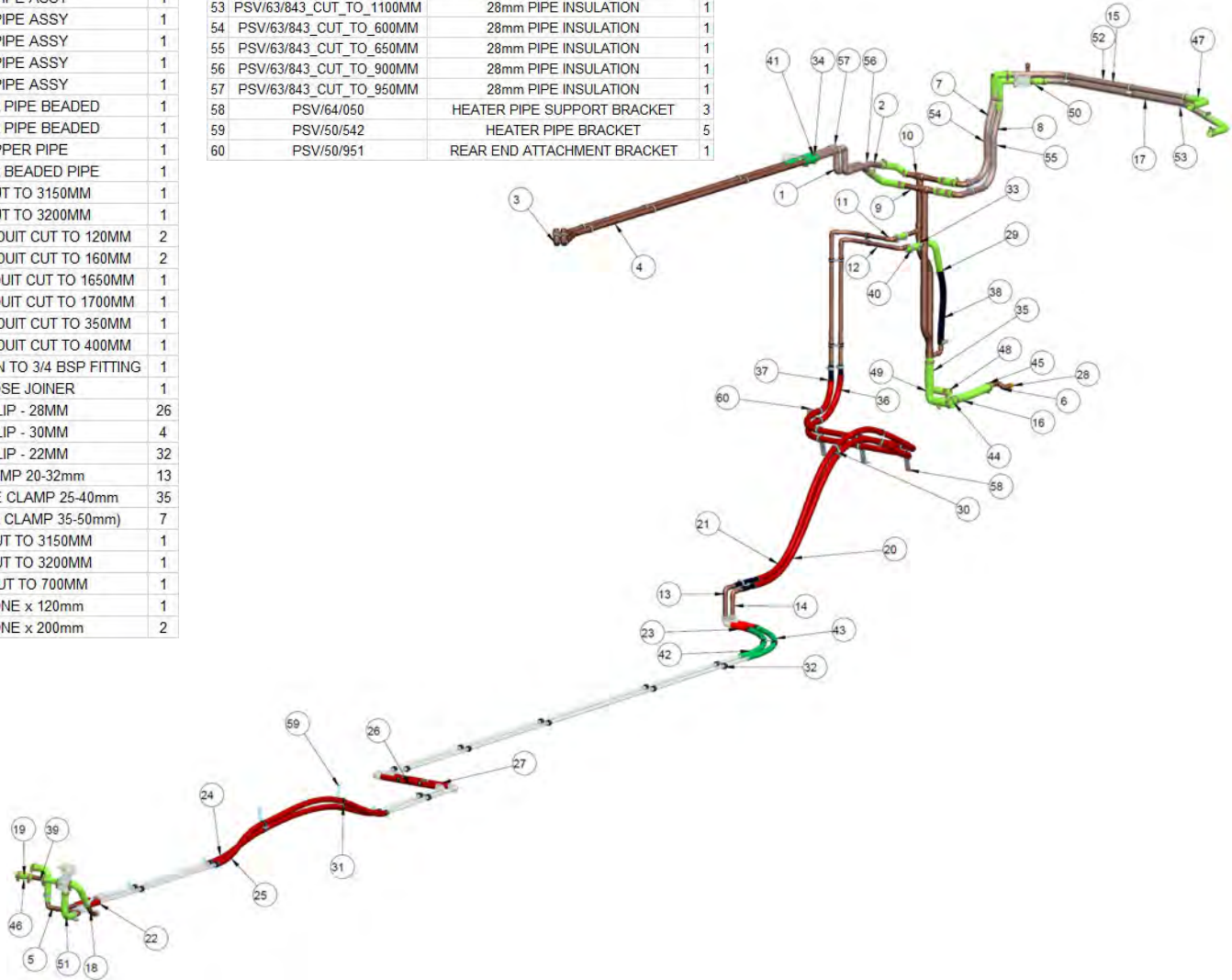
Stock Number	Description	Quantity
PSV/44/993	BREEZE CT HOSE CLAMP 20-32 MM	17.00
PSV/44/994	BREEZE CT HOSE CLAMP 25-40 MM	35.00
PSV/44/995	BREEZE CT HOSE CLAMP 35-50 MM	5.00
PSV/63/302	COOLANT HOSE 19.05 mm DIA	8.00
PSV/45/020	COOLANT HOSE 25.05 mm DIA	1.00
PSV/45/058	STRAIGHT 22MM X 1000MM	1.00
PSV/45/060	STRAIGHT 28MM X 1000MM	2.00
PSV/45/062	STRAIGHT 35MM X 1000MM	1.00
PSV/45/066	STRAIGHT REDUCER 28-22MM X 100MM	1.00
PSV/15/168	90 ELB 22MM X 154MM LEGS	2.00
PSV/15/172	28mm 'ELB' SILICONE, 171mm LEGS	7.00
PSV/15/148	35-28MM ELBOW SILICONE, 154MM LEGS	1.00
PSV/45/076	35MM ELBOW SILICONE, 152MM & 229MM LEGS	1.00
PSV/45/082	150MM @ 28MM STRAIGHT	1.00
PSV/45/091	28MM-22MM SILICON ELBOW	1.00
PSV/63/843	INSUL. TUBE 28MM BLACK	6.00
PSV/64/050	HEATER PIPE SUPPORT BRACKET	3.00
PSV/50/542	HEATER PIPE BRACKET	9.00
PSV/50/951	REAR END ATTACHMENT ANGLE	1.00
PSV/50/544	PIPE FITTING SUPPORT BRACKET	2.00
PSV/50/542	HEATER PIPE BRACKET	2.00
PSV/45/073	25MM ELBOW SILICONE, 154MM LEGS	1.00



W00-00210
SALOON AND DEMISTER PIPING

Index	PSV Ref	Description	Qty
1	PSV/62/611	COPPER PIPE ASSY	1
2	PSV/62/612	COPPER PIPE ASSY	1
3	PSV/62/614	COPPER PIPE ASSY	1
4	PSV/62/615	COPPER PIPE ASSY	1
5	PSV/15/394	22MM COPPER PIPE ASSEMBLY	1
6	PSV/40/157	COPPER PIPE ASSEMBLY	1
7	PSV/62/620	COPPER PIPE ASSY	1
8	PSV/62/621	COPPER PIPE ASSY	1
9	PSV/62/623	COPPER PIPE ASSY	1
10	PSV/62/624	COPPER PIPE ASSY	1
11	PSV/62/625	COPPER PIPE ASSY	1
12	PSV/40/158	COPPER PIPE ASSY	1
13	PSV/62/626	COPPER PIPE ASSY	1
14	PSV/62/627	COPPER PIPE ASSY	1
15	PSV/62/634	COPPER PIPE ASSY	1
16	PSV/61/262	35MM COPPER PIPE BEADED	1
17	PSV/62/724	28MM COPPER PIPE BEADED	1
18	PSV/62/737	22MM COPPER PIPE	1
19	PSV/62/738	22mm COPPER BEADED PIPE	1
20	PSV/42/414_CUT_TO_3150MM	ELM-02567 CUT TO 3150MM	1
21	PSV/42/414_CUT_TO_3200MM	ELM-02567 CUT TO 3200MM	1
22	PSV/62/889_CUT_TO_120MM	25mm ID FLEX CONDUIT CUT TO 120MM	2
23	PSV/62/889_CUT_TO_160MM	25mm ID FLEX CONDUIT CUT TO 160MM	2
24	PSV/62/889_CUT_TO_1650MM	25mm ID FLEX CONDUIT CUT TO 1650MM	1
25	PSV/62/889_CUT_TO_1700MM	25mm ID FLEX CONDUIT CUT TO 1700MM	1
26	PSV/62/889_CUT_TO_350MM	25mm ID FLEX CONDUIT CUT TO 350MM	1
27	PSV/62/889_CUT_TO_400MM	25mm ID FLEX CONDUIT CUT TO 400MM	1
28	PSV/63/244	22MM COMPRESSION TO 3/4 BSP FITTING	1
29	PSV/63/248	1" TO 1" HOSE JOINER	1
30	PSV/44/978	NORMA CLIP - 28MM	26
31	PSV/63/284	NORMA CLIP - 30MM	4
32	PSV/63/286	NORMA CLIP - 22MM	32
33	PSV/44/993	BREEZE CLAMP 20-32mm	13
34	PSV/44/994	BREEZE CT HOSE CLAMP 25-40mm	35
35	PSV/44/995	BREEZE CT HOSE CLAMP 35-50mm)	7
36	PSV/63/302_CUT_TO_3150MM	HEM-01624 CUT TO 3150MM	1
37	PSV/63/302_CUT_TO_3200MM	HEM-01624 CUT TO 3200MM	1
38	PSV/45/020_CUT_TO_700MM	HEM-01625 CUT TO 700MM	1
39	HES-00003-CUT-TO-120MM	22mm SILICONE x 120mm	1
40	HES-00003-CUT-TO-90MM	22mm SILICONE x 200mm	2

41	PSV/45/060_CUT_TO_110MM	28mm SILICONE x 110mm	5
42	PSV/45/060_CUT_TO_650MM	28mm SILICONE x 650mm	1
43	PSV/45/060_CUT_TO_700MM	28mm SILICONE x 700mm	1
44	PSV/45/062_CUT_TO_200MM	35mm SILICONE x 200mm	1
45	PSV/45/062_CUT_TO_300MM	35mm SILICONE x 300mm	1
46	PSV/45/066	28mm - 22mm SILICONE REDUCER	1
47	PSV/15/172	28mm 90 DEGREE SILICONE ELBOW	8
48	PSV/15/148	28-35mm SILICONE 90 DEGREES ELBOW	1
49	PSV/45/076	90 DEGREE SILICONE ELBOW	1
50	PSV/45/082	28mm I.D. SILICONE PIPE	1
51	PSV/45/091	28mm 90 DEGREE SILICONE ELBOW	3
52	PSV/63/843_CUT_TO_1000MM	28mm PIPE INSULATION	1
53	PSV/63/843_CUT_TO_1100MM	28mm PIPE INSULATION	1
54	PSV/63/843_CUT_TO_600MM	28mm PIPE INSULATION	1
55	PSV/63/843_CUT_TO_650MM	28mm PIPE INSULATION	1
56	PSV/63/843_CUT_TO_900MM	28mm PIPE INSULATION	1
57	PSV/63/843_CUT_TO_950MM	28mm PIPE INSULATION	1
58	PSV/64/050	HEATER PIPE SUPPORT BRACKET	3
59	PSV/50/542	HEATER PIPE BRACKET	5
60	PSV/50/951	REAR END ATTACHMENT BRACKET	1



W00-00222
 REAR AXLE - NBFL



Stock Number	Description	Quantity
PSV/62/514	MECHANICAL REAR AXLE ASSEMBLY AV132 II	1.00
PSV/40/199	PROPSHAFT STATIC LENGTH 852 OVER FLANGES	1.00
PSV/43/707	12mm NORDLOCK WASHER NL12	4.00
PSV/43/465	M12x35 HEX SCREW GRADE 10.9 ZINC NICKEL	4.00
PSV/11/510	M12 STOVER NUT, GRADE 10, METRIC COARSE T	4.00
PSV/11/423	M12x1.75 BY 50 BOLT G10.9 ZINC NICKEL	4.00
PSV/64/754	8mmX1 AIRBRAKE HOSE (DIN 74324)	2.50





W00-00223

ENGINE - 4CYL NBFL



Stock Number	Description	Quantity
PSV/62/534	CUMMINS ISB 4.5 EV 185H EURO5	1.00
PSV/62/558	EXHAUST DOWN PIPES TO EGP LAGGED	1.00
PSV/17/377	V-BAND CLAMP 2.75" CUMMINS No 89571K	1.00
PSV/17/378	V-BAND CLAMP 4.00" CUMMINS No 89509K	1.00
PSV/62/539	REMOTE ENGINE CONTROL SWITCH BRACKET	1.00
PSV/62/540	NOX SENSOR SUPPORT BRACKET	1.00
PSV/62/543	ENGINE COOLANT	55.00
PSV/62/544	ENGINE OIL ACEA E5 15W-40	20.00





W00-00224

FRONT CHASSIS MODULE - NBFL



Stock Number	Description	Quantity
PSV/62/593	FRONT CHASSIS MODULE - VDL	1.00
PSV/62/594	SHIPPING OF FRONT CHASSIS MODULE	1.00
PSV/43/468	M12x1.75X30 FLANGE BOLT G10.9 GEOMET 500	10.00
PSV/62/979	M16x2 BY 120 FLANGE BOLT G10.9 GEOMET 500	4.00
PSV/63/037	M10x1.5 FLANGE HEAD NUT G10, GEOMET 500	6.00
PSV/63/038	M16x2 FLANGE HEAD NUT G10, GEOMET 500	4.00
PSV/63/331	BRACKET FUEL TANK LOWER ASSEMBLY	1.00
PSV/63/43	FUEL TANK STRUT	1.00
PSV/63/436	PLATE FUEL TANK SUPPORT ASSEMBLY	2.00
PSV/63/438	PLATE FOR FUEL TANK STRUT SUPPORT	1.00
PSV/63/439	PLATE FOR FUEL STRUT SUPPORT	1.00
PSV/63/440	FUEL TANK SUPPORT	2.00
PSV/64/175	PIPE SUPPORT BRACKET	3.00
PSV/63/332	BRACKET FUEL TANK UPPER ASSEMBLY	1.00
PSV/63/441	ANGLE BAR FOR FUEL TANK BRACKET	1.00
PSV/63/442	WEB SUPPORT FOR UPPER BRACKET	5.00
PSV/63/443	UPPER BRACKET FOR FUEL TANK	2.00
PSV/45/483	NBFL FRONT CROSS MEMBER	1.00
PSV/63/427	CROSS MEMBER/CHASSIS ATTACH BRK ASSEM	1.00
PSV/63/428	CROSS MEMBER/CHASSIS ATTACH BRK	1.00
PSV/63/429	FRT CROSS MEM/CHASSIS ATTACH BRK GUSSET	1.00
PSV/63/430	FRONT CROSS MEMBER/CHASSIS ATTACH BRK 2	1.00
PSV/63/431	FRONT CROSS MEMBER/CHASSIS ATTACH BRK 3	1.00
PSV/63/437	PLATE FOR FUEL TANK SUPPORT	1.00
PSV/63/450	NBFL N/S FRONT GOAL POST ANGLE ASSEMBLY	1.00
PSV/63/448	NBFL N/S FRONT GOAL POST ANGLE PART 1	1.00
PSV/63/449	NBFL N/S FRONT GOAL POST ANGLE PART 2	1.00
PSV/63/561	NBFL N/S FRONT GOAL POST ANGLE PART 3	1.00
PSV/63/451	NBFL O/S FRONT GOAL POST ANGLE PART 1	1.00
PSV/63/453	FRONT FRAME ATTACHMENT ANGLE	1.00
PSV/63/470	BRACKET COMPRESSOR SUPPORT	2.00
PSV/63/509	BRACKET RESERVOIR SUPPORT	2.00
PSV/63/574	EARTHING BRACKET	1.00
PSV/63/591	BRACKET AIR RESERVOIR SUPPORT	1.00
PSV/63/632	NBFL FRONT MODULE RAMP ATTACH PLATE	1.00
PSV/63/636	NBFL TOWING EYE ASSEMBLY	1.00
PSV/63/637	NBFL TOWING EYE PART 1	1.00
PSV/63/638	NBFL TOWING EYE PART 2	1.00
PSV/63/639	NBFL TOWING EYE PART 3	4.00
PSV/63/640	NBFL TOWING EYE PART 4	1.00
PSV/63/684	TOWING CONNECTION BRACKET	1.00
PSV/63/687	FRONT CORNER GUSSET	1.00
PSV/63/702	FRONT MODULE STIFFENING PLATE FOR RAMP	1.00
PSV/63/703	FRONT MODULE RAMP PLATE GUSSET	1.00
PSV/63/723	FRONT MODULE FIBREGLASS SUPPORT	1.00
PSV/63/745	FRONT MODULE IN FILL PIECE - LARGE	3.00
PSV/63/746	FRONT MODULE IN FILL PIECE - SMALL	7.00
PSV/63/748	FRONT MODULE CORNER GUSSET	1.00
PSV/64/138	NBFL FRONT BRACE CONNECT BRK ASSEMBLY	1.00



W00-00224

FRONT CHASSIS MODULE - NBFL

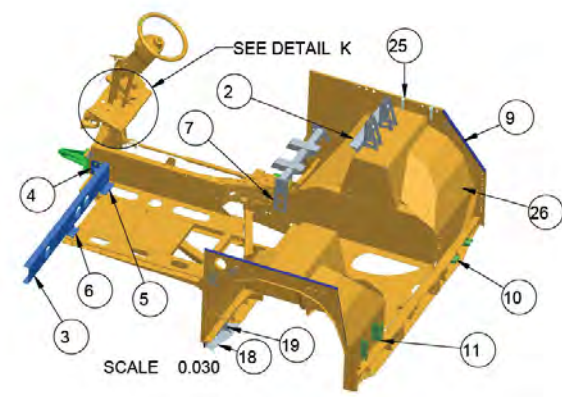
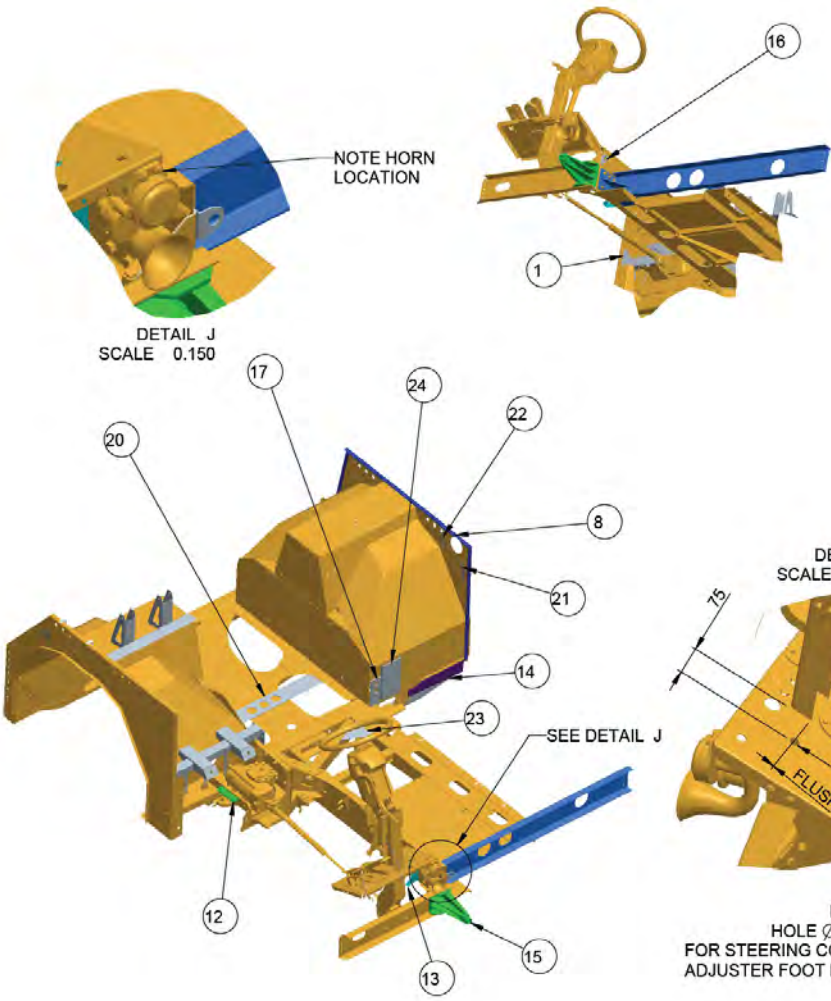


Stock Number	Description	Quantity
PSV/64/139	NBFL FRONT BRACE CONNECT BRACKET	1.00
PSV/64/140	NBFL FRONT BRACE CONNECT BRK PLATE	1.00
PSV/50/542	HEATER PIPE BRACKET	2.00
PSV/50/544	PIPE FITTING SUPPORT BRACKET	2.00
PSV/64/695	25mm UNIPLUG (RED)	1.00
PSV/63/101	S/TAPP TORX HEAD BOLT	2.00
PSV/50/542	HEATER PIPE BRACKET	10.00



W00-00224
FRONT CHASSIS MODULE

Index	PSV Ref	Description	Qty
1	PSV/63/331	BRACKET FUEL TANK LOWER ASSY	1
2	PSV/63/332	BRACKET FUEL TANK UPPER ASSY	1
3	PSV/45/483	NBFL FRONT CROSS MEMBER	1
4	PSV/63/427	CROSS MEMBER/CHASSIS ATTACH BRK ASSEMBLY	1
5	PSV/63/430	FRONT CROSS MEMBER/CHASSIS ATTACH BRK 2	1
6	PSV/63/431	FRONT CROSS MEMBER/CHASSIS ATTACH BRK 3	1
7	PSV/63/437	PLATE	1
8	PSV/63/450	NBFL N/S FRONT GOAL POST ANGLE ASSEMBLY	1
9	PSV/63/451	NBFL O/S FRONT GOAL POST ANGLE PART 1	1
10	PSV/63/470	BRACKET COMPRESSOR SUPPORT	2
11	PSV/63/509	BRACKET RESERVOIR SUPPORT	2
12	PSV/63/574	EARTHING BRACKET	1
13	PSV/63/591	BRACKET AIR RESERVOIR SUPPORT	1
14	PSV/63/632	NBFL FRONT MODULE RAMP ATTACH PLATE	1
15	PSV/63/636	NBFL TOWING EYE ASSEMBLY	1
16	PSV/63/684	TOWING CONNECTION BRACKET	1
17	PSV/63/687	NBFL FRONT CORNER GUSSET	1
18	PSV/63/702	FRONT MODULE STIFFENING PLATE FOR RAMP	1
19	PSV/63/703	FRONT MODULE RAMP PLATE GUSSET	1
20	PSV/63/723	FRONT MODULE FIBREGLOSS SUPPORT	1
21	PSV/63/745	FRONT MODULE IN-FILL PIECE - LARGE	3
22	PSV/63/746	FRONT MODULE IN-FILL PIECE - SMALL	7
23	PSV/63/748	FRONT MODULE CORNER GUSSET	1
24	PSV/64/138	NBFL FRONT BRACE CONNECT BRK ASSEMBLY	1
25	PSV/50/542	HEATER PIPE BRACKET	2
26	PSV/50/544	PIPE FITTING SUPPORT BRKT	2



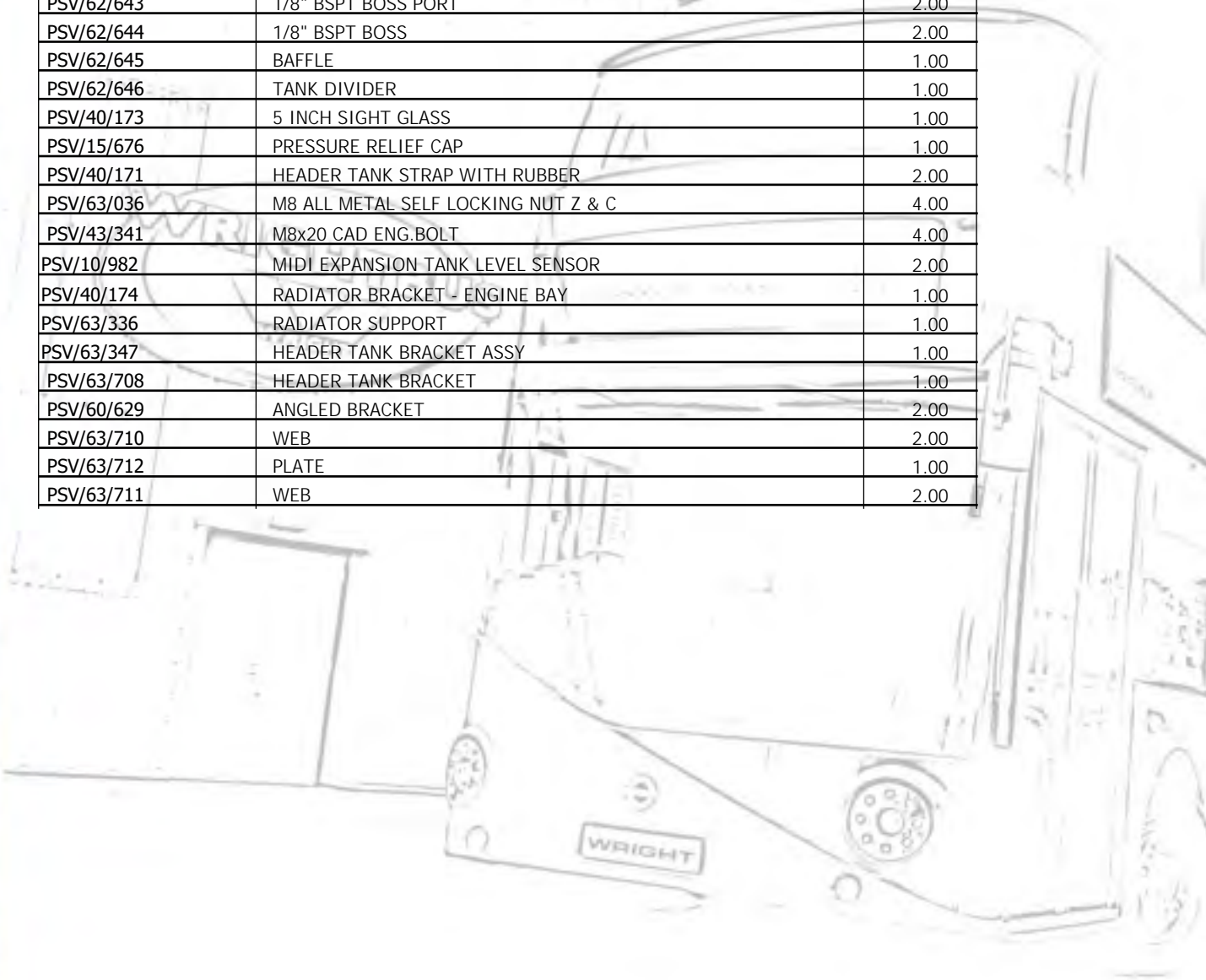


W00-00225

COOLING - RADIATORS AND HEADER TANK



Stock Number	Description	Quantity
PSV/62/262	1/4 BSPP BLANKING PLUG	2.00
PSV/40/155	EMP WATER PUMP	1.00
PSV/62/605	ASSY ENGINE RADIATOR WITH FANS	1.00
PSV/40/156	FRONT HYBRID RADIATOR ASSEMBLY	1.00
PSV/62/606	REAR HYBRID RADIATOR ASSEMBLY	1.00
PSV/62/609	COOLANT TANK ASSY	1.00
PSV/40/170	HEADER TANK 2 COMPARTMENT ASSY	1.00
PSV/10/982	MIDI EXPANSION TANK LEVEL SENSOR	2.00
PSV/62/636	MIDI EXPANSION TANK PRESSURE CAP 100kPa	1.00
PSV/62/043	HEADER TANK 2 COMPARTMENT WELDED	1.00
PSV/62/637	CHAIN MOUNT ANGLE BRKT	2.00
PSV/62/642	EXPANSION TANK	1.00
PSV/62/643	1/8" BSPT BOSS PORT	2.00
PSV/62/644	1/8" BSPT BOSS	2.00
PSV/62/645	BAFFLE	1.00
PSV/62/646	TANK DIVIDER	1.00
PSV/40/173	5 INCH SIGHT GLASS	1.00
PSV/15/676	PRESSURE RELIEF CAP	1.00
PSV/40/171	HEADER TANK STRAP WITH RUBBER	2.00
PSV/63/036	M8 ALL METAL SELF LOCKING NUT Z & C	4.00
PSV/43/341	M8x20 CAD ENG.BOLT	4.00
PSV/10/982	MIDI EXPANSION TANK LEVEL SENSOR	2.00
PSV/40/174	RADIATOR BRACKET - ENGINE BAY	1.00
PSV/63/336	RADIATOR SUPPORT	1.00
PSV/63/347	HEADER TANK BRACKET ASSY	1.00
PSV/63/708	HEADER TANK BRACKET	1.00
PSV/60/629	ANGLED BRACKET	2.00
PSV/63/710	WEB	2.00
PSV/63/712	PLATE	1.00
PSV/63/711	WEB	2.00



W00-00227

STEERING POWER SYSTEM



Stock Number	Description	Quantity
PSV/39/520	POWER STEERING ASSEMBLY C/W OIL TANK	1.00
PSV/39/559	RESERVOIR ASSEMBLY WITH LEVEL SENSOR	1.00
PSV/62/038	POWER STEERING HOSE KIT - NBFL	1.00
PSV/61/046	HOSE - GEAR PUMP TO TEST POINT TEE	1.00
PSV/39/525	HOSE - STEERING BOX TO TEST POINT TEE	1.00
PSV/61/047	MALE TO FEMALE TEST POINT TEE	1.00
PSV/61/048	HOSE - STEERING BOX TO RESERVOIR	1.00
PSV/61/049	MALE - MALE ADAPTER, M18x1.5 TO M26x1.5	1.00
PSV/62/542	VOITH GEARBOX OIL	5.00





W00-00228

HIGH VOLTAGE BATTERY - SUPPORT & COOLING



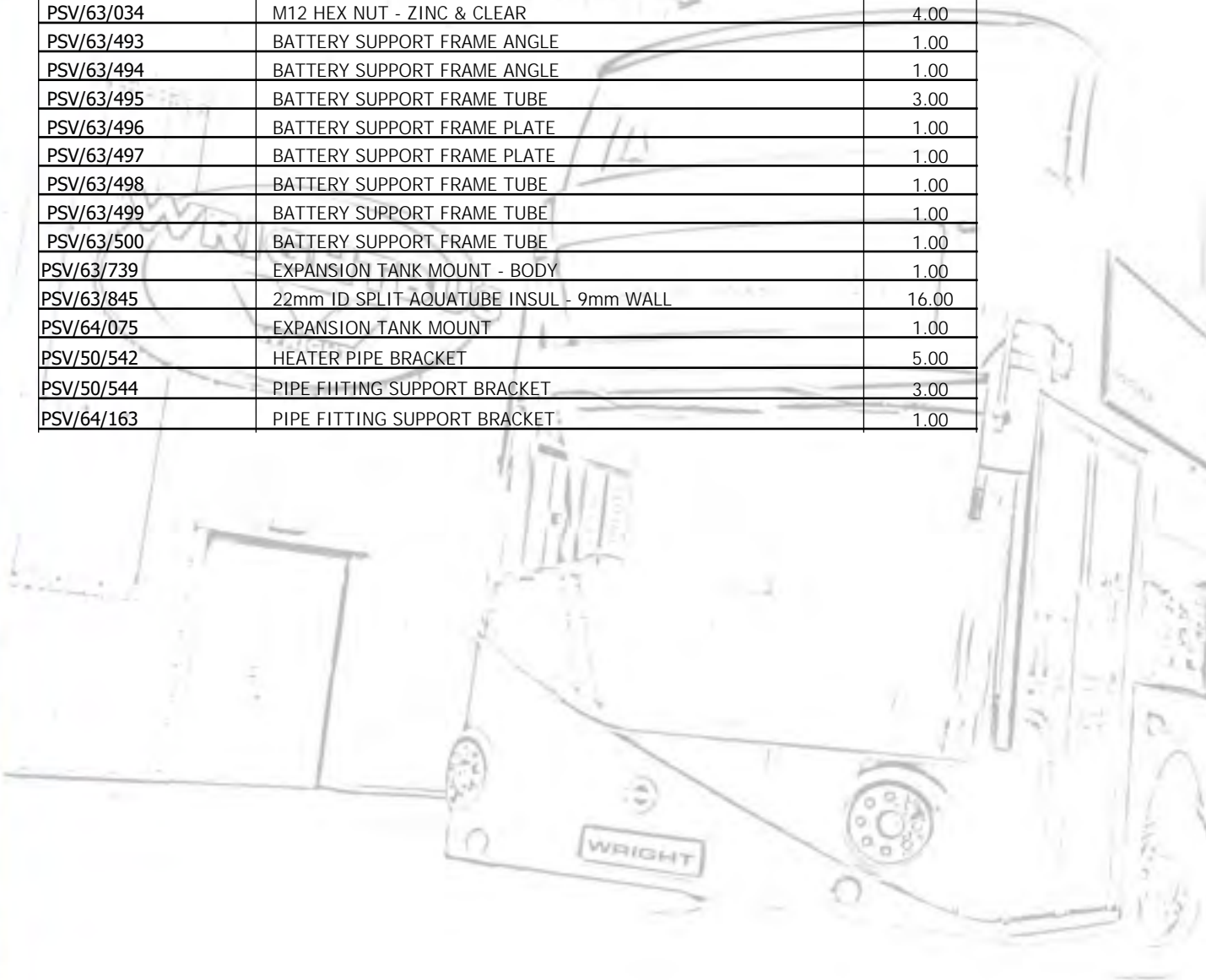
Stock Number	Description	Quantity
PSV/62/478	TEMP SENSOR PIPE B5L	1.00
PSV/62/543	ENGINE COOLANT	11.00
PSV/11/664	V2-25-20-N55 ISOLATING MOUNT	4.00
PSV/62/616	COPPER PIPE ASSY 1 - HV BATTERY	1.00
PSV/62/660	COPPER PIPE 15mm - A	1.00
PSV/62/661	COPPER PIPE 15mm - B	1.00
PSV/63/227	15mm COPPER SOLDER ELBOW	1.00
PSV/62/617	COPPER PIPE ASSY 2 - HV BATTERY	1.00
PSV/62/662	COPPER PIPE 15mm - C	1.00
PSV/62/663	COPPER PIPE 15mm - D	1.00
PSV/63/227	15mm COPPER SOLDER ELBOW	1.00
PSV/62/628	COPPER PIPE ASSY	1.00
PSV/62/706	15MM COPPER PIPE BEADED	1.00
PSV/62/707	22MM COPPER PIPE CUT	1.00
PSV/62/708	22MM COPPER PIPE CUT	1.00
PSV/62/710	28MM COPPER PIPE BEADED	1.00
PSV/62/711	3/4" BARB HOSE TO 19MM MACHINE END	1.00
PSV/63/223	28X22mm YP6 COPPER REDUCER	1.00
PSV/63/238	22x15x22mm COPPER TEE, SOLDER TYPE	1.00
PSV/62/629	COPPER PIPE ASSY	1.00
PSV/62/709	15MM COIPPER PIPE BEADED	1.00
PSV/62/710	28MM COPPER PIPE BEADED	1.00
PSV/63/255	28-15MM COPPER REDUCER	1.00
PSV/62/736	15mm COPPER PIPE	1.00
PSV/63/227	15mm COPPER SOLDER ELBOW	1.00
PSV/62/629	COPPER PIPE ASSY	1.00
PSV/62/709	15MM COIPPER PIPE BEADED	1.00
PSV/62/710	28MM COPPER PIPE BEADED	1.00
PSV/63/255	28-15MM COPPER REDUCER	1.00
PSV/62/736	15mm COPPER PIPE	1.00
PSV/63/227	15mm COPPER SOLDER ELBOW	1.00
PSV/62/890	32MM I/D FLEXIBLE CONDUIT	0.50
PSV/15/002	WATER BOOST PUMP BRUSHLESS 24V	1.00
PSV/44/941	BATTERY CHILLER UNIT	1.00
PSV/63/251	FEMALE Y ADAPTER 3/8" BSPP - 3/8" BSPP	2.00
PSV/63/252	M/M HOSE ADAPTER 3/8 BSPT - 3/8 BARB	4.00
PSV/63/253	M/M HOSE ADAPTER 3/8 BSPT - 16MM	2.00
PSV/60/178	COUPLING BODY, 5/8, SHUT OFF	2.00
PSV/62/051	COUPLING INSERT, 5/8, SHUTOFF	2.00
PSV/63/256	ELBOW M/F 3/8 BSP	2.00
PSV/44/980	NORMA RSGUI 35/20 CLIP	5.00
PSV/63/283	13-20MM JUBILEE CLIP	8.00
PSV/63/283	13-20MM JUBILEE CLIP	2.00
PSV/63/286	22mm NORMA PIPE CLIP	1.00
PSV/63/286	22mm NORMA PIPE CLIP	2.00
PSV/44/981	16mm NORMA PIPE CLIP	10.00
PSV/63/294	EXPANSION BOTTLE CAP (PRESSURE RELEASE)	1.00
PSV/62/053	EXPANSION BOTTLE (GM)	1.00
PSV/63/296	BREEZE CT HOSE CLAMP 16-27MM	14.00

W00-00228

HIGH VOLTAGE BATTERY - SUPPORT & COOLING

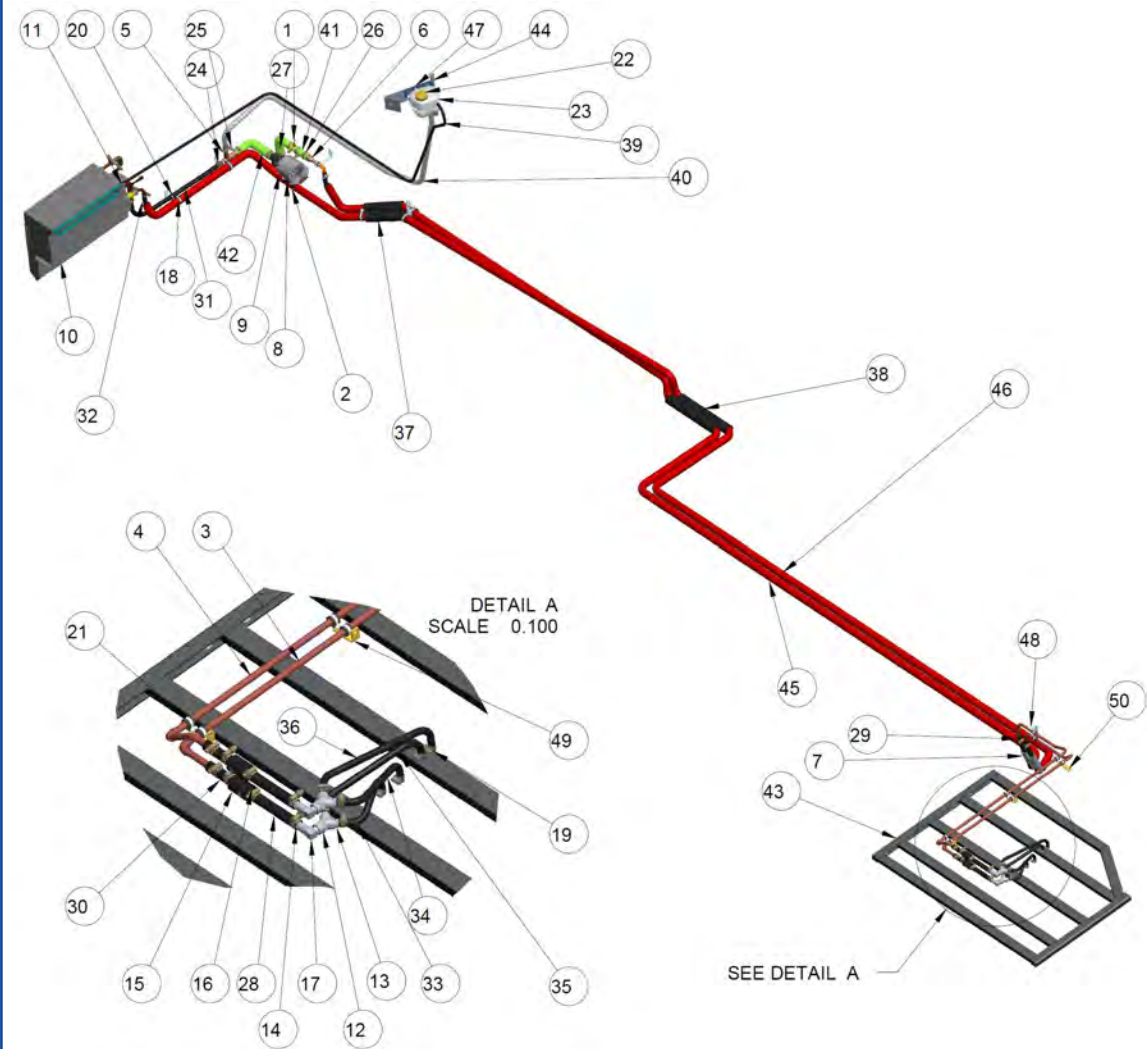


Stock Number	Description	Quantity
PSV/44/993	BREEZE CT HOSE CLAMP 20-32 MM	2.00
PSV/44/994	BREEZE CT HOSE CLAMP 25-40 MM	4.00
PSV/44/995	BREEZE CT HOSE CLAMP 35-50 MM	3.00
PSV/63/301	COOLANT HOSE 15.88 mm DIA	25.00
PSV/63/305	COOLANT HOSE 9.5mm INSIDE DIAMETER	3.00
PSV/45/040	1 3/4" VACUFLEX HOSE - GREY	3.00
PSV/45/056	8mm I/D FUEL PIPE	11.00
PSV/63/307	20mm ID REINFORCED HOSE	3.00
PSV/45/060	STRAIGHT 28MM X 1000MM	1.00
PSV/15/148	35-28MM ELBOW SILICONE, 154MM LEGS	2.00
PSV/63/333	BATTERY SUPPORT FRAME ASSEMBLY	1.00
PSV/63/033	M10 SELF FINISH HEX NUT	8.00
PSV/63/034	M12 HEX NUT - ZINC & CLEAR	4.00
PSV/63/493	BATTERY SUPPORT FRAME ANGLE	1.00
PSV/63/494	BATTERY SUPPORT FRAME ANGLE	1.00
PSV/63/495	BATTERY SUPPORT FRAME TUBE	3.00
PSV/63/496	BATTERY SUPPORT FRAME PLATE	1.00
PSV/63/497	BATTERY SUPPORT FRAME PLATE	1.00
PSV/63/498	BATTERY SUPPORT FRAME TUBE	1.00
PSV/63/499	BATTERY SUPPORT FRAME TUBE	1.00
PSV/63/500	BATTERY SUPPORT FRAME TUBE	1.00
PSV/63/739	EXPANSION TANK MOUNT - BODY	1.00
PSV/63/845	22mm ID SPLIT AQUATUBE INSUL - 9mm WALL	16.00
PSV/64/075	EXPANSION TANK MOUNT	1.00
PSV/50/542	HEATER PIPE BRACKET	5.00
PSV/50/544	PIPE FITTING SUPPORT BRACKET	3.00
PSV/64/163	PIPE FITTING SUPPORT BRACKET	1.00

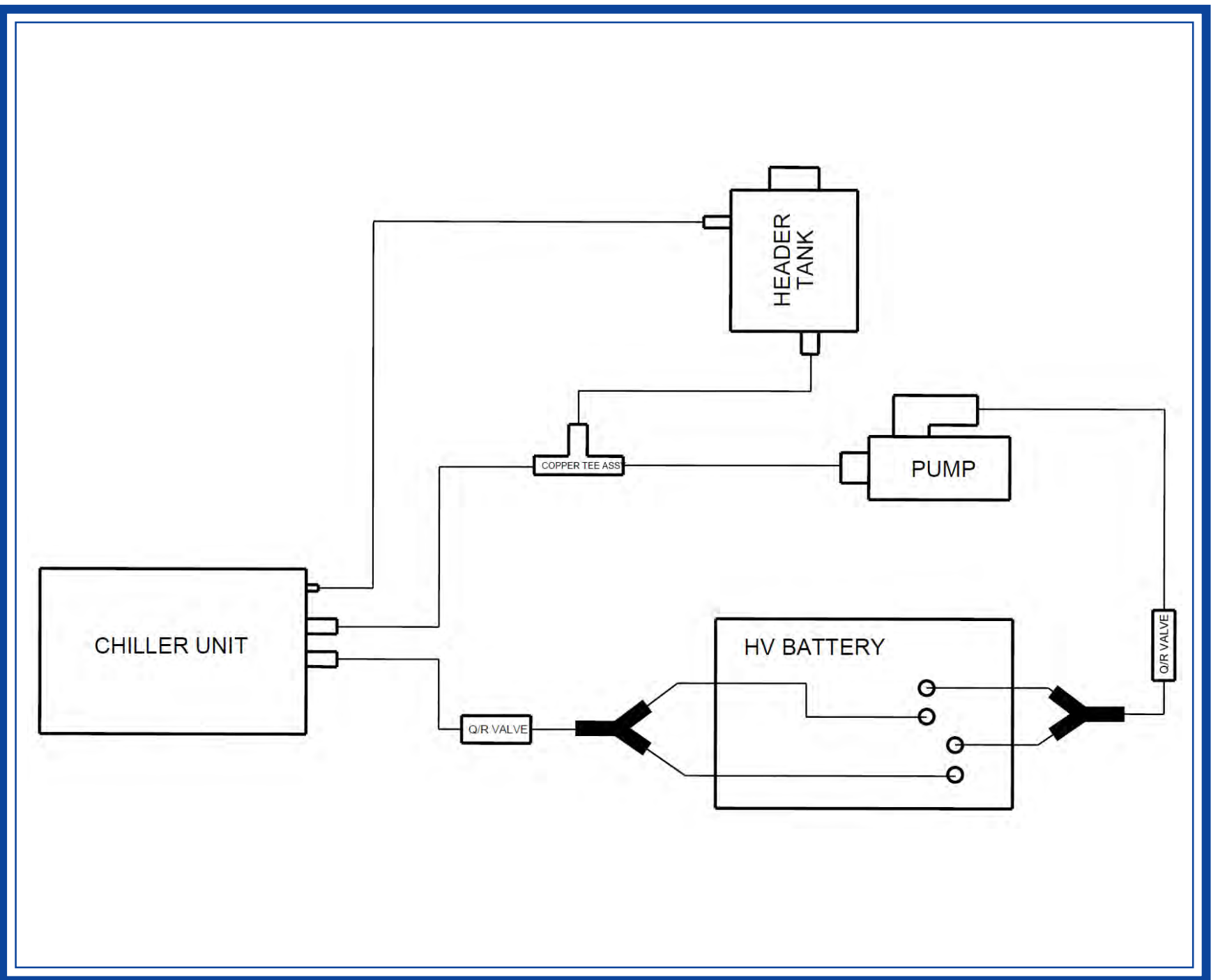


W00-00228
HIGH VOLTAGE BATTERY - SUPPORTS AND COOLING

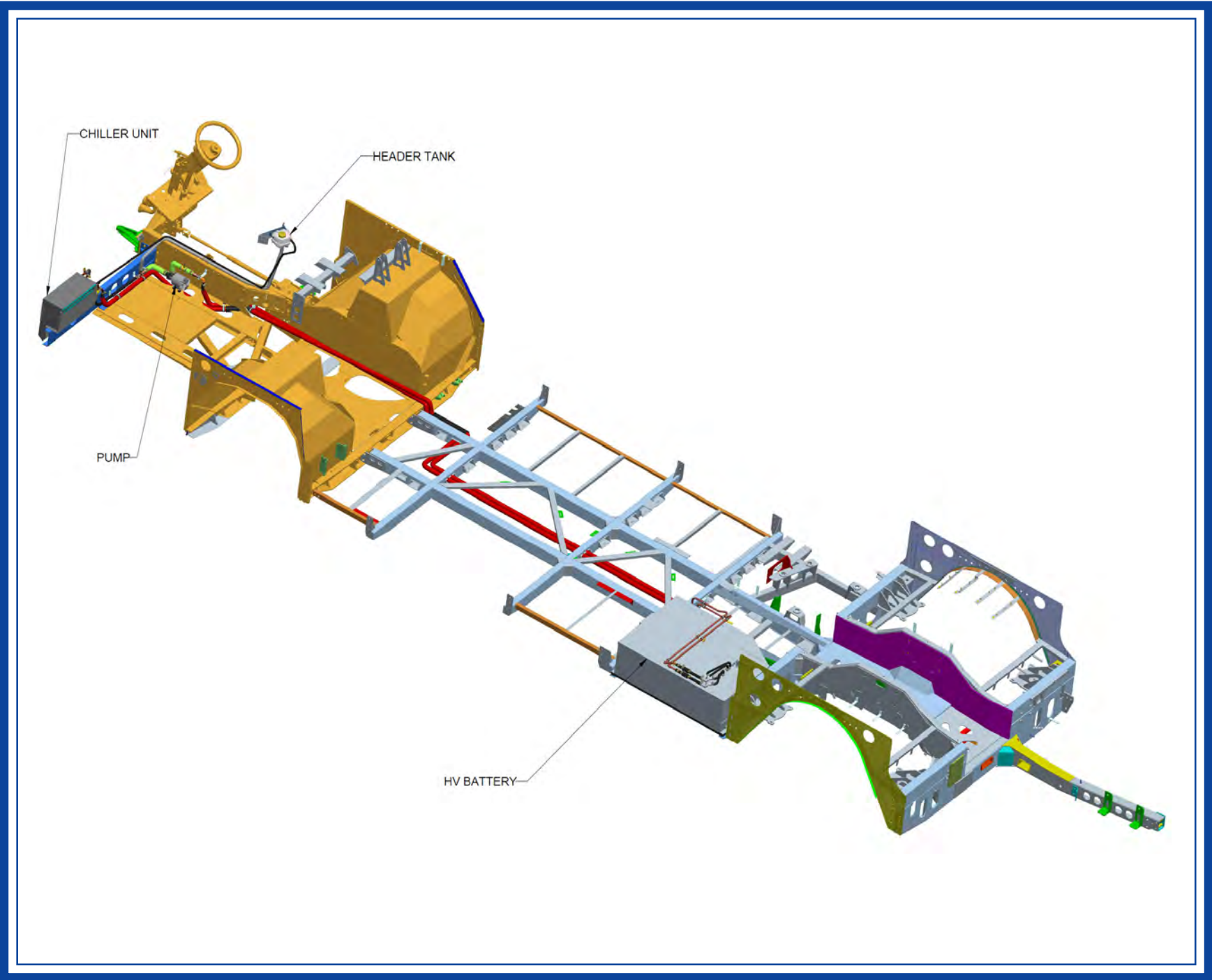
Index	PSV Ref	Description	Qty
1	PSV/62/478	TEMP SENSOR PIPE B5L	1
2	PSV/11/664	ISOLATING MOUNT	4
3	PSV/62/616	COPPER PIPE ASSY 1 - HV BATTERY	1
4	PSV/62/617	COPPER PIPE ASSY 2 - HV BATTERY	1
5	PSV/62/628	COPPER PIPE ASSY	1
6	PSV/62/629	COPPER PIPE ASSY	1
7	PSV/62/890_CUT_TO_150	32mm ID FLEXIBLE CONDUIT	2
8	PSV/15/002-BRACKET	WATER PUMP BRACKET	1
9	PSV/15/002	WATER PUMP	1
10	PSV/44/941	BATTERY CHILLER UNIT	1
11	PSV/44/949	1/8" BSPT MALE TO 8mm HOSE TAIL	1
12	PSV/63/251	FEMALE Y ADAPTER	2
13	PSV/63/252	M/M HOSE ADAPTER - 3/8"	4
14	PSV/63/253	M/M HOSE ADAPTER - 5/8"	2
15	PSV/60/178	COUPLING BODY, 5/8, SHUT-OFF	2
16	PSV/62/051	COUPLING INSERT, 5/8	2
17	PSV/63/256	ELBOW M/F 3/8 BSP	2
18	PSV/44/980	NORMA CLIP - 35MM	5
19	PSV/63/283	13-20mm JUBILEE CLIP	8
20	PSV/63/286	NORMA CLIP - 22MM	1
21	PSV/44/981	16mm P Clip	10
22	PSV/63/294	EXPANSION TANK CAP	1
23	PSV/62/053	EXPANSION BOTTLE	1
24	PSV/63/296	BREEZE CT HOSE CLAMP 16-27mm	14
25	PSV/44/993	BREEZE CLAMP - 20-32mm	2
26	PSV/44/994	BREEZE CT HOSE CLAMP 25-40mm	4
27	PSV/44/995	BREEZE CT HOSE CLAMP 35-50mm	2
28	PSV/63/301_CUT_TO_140	COOLANT HOSE 15.88mm	2
29	PSV/63/301_CUT_TO_6750	COOLANT HOSE 15.88mm	1
30	PSV/63/301_CUT_TO_75	COOLANT HOSE 15.88mm	2
31	PSV/63/301_CUT_TO_780	COOLANT HOSE 15.88mm	1
32	PSV/63/301_CUT_TO_8250	COOLANT HOSE 15.88mm	1
33	PSV/63/305_CUT_TO_200	COOLANT HOSE 9.5mm	1
34	PSV/63/305_CUT_TO_260	COOLANT HOSE 9.5mm	1
35	PSV/63/305_CUT_TO_330	COOLANT HOSE 9.5mm	1
36	PSV/63/305_CUT_TO_375	COOLANT HOSE 9.5mm	1
37	PSV/45/040_CUT_TO_300	1 3/4" VACUFLEX HOSE	2
38	PSV/45/040_CUT_TO_800	1 3/4" VACUFLEX HOSE	2
39	PSV/45/056_CUT_TO_2750	8mm ID RUBBER HOSE	1
40	PSV/63/307_CUT_TO_2000	20mm ID REINFORCED HOISING	1
41	PSV/45/060	28mm I.D. SILICONE PIPE	1
42	PSV/15/148	28-35mm SILCONE 90 DEGREES ELBOW	2
43	PSV/63/333	Battery frame assembly	1
44	PSV/63/739	EXPANSION TANK MOUNT - BODY	1
45	PSV/63/845_CUT_TO_6750	22mm SPLIT PIPE INSULATION	1
46	PSV/63/845_CUT_TO_8250	22mm SPLIT PIPE INSULATION	1
47	PSV/64/075	EXPANSION-TANK-MOUNT-01	1
48	PSV/50/542	HEATER PIPE BRACKET	5
49	PSV/50/544	PIPE FITTING SUPPORT BRKT	2
50	PSV/64/163	PIPE FITTING SUPPORT BRKT	1



W00-00228
HIGH VOLTAGE BATTERY - SUPPORTS AND COOLING



W00-00228
HIGH VOLTAGE BATTERY - SUPPORTS AND COOLING



W00-00231

GENERATOR AND COUPLING



Stock Number	Description	Quantity
PSV/62/546	COUPLING WITH ALUMINIUM HOUSING	1.00
PSV/62/039	GENERATOR - SIEMENS 1FV5168-8WS24-ZW01	1.00
PSV/43/449	M8x40 CAP SCREW - 10.9 - Z/C	9.00
PSV/62/976	M20 X 45 HEX SOCKET CAP SCREW G10.9 ZINC	1.00
PSV/43/469	M16x2X50 FLANGE HED BOLT G10.9 GEOMET 500	4.00
PSV/63/056	8MM NORD-LOCK WASHER NL8	9.00
PSV/63/057	10MM NORD-LOCK WASHER NL10	12.00



W00-00233
BRAKE RESISTOR



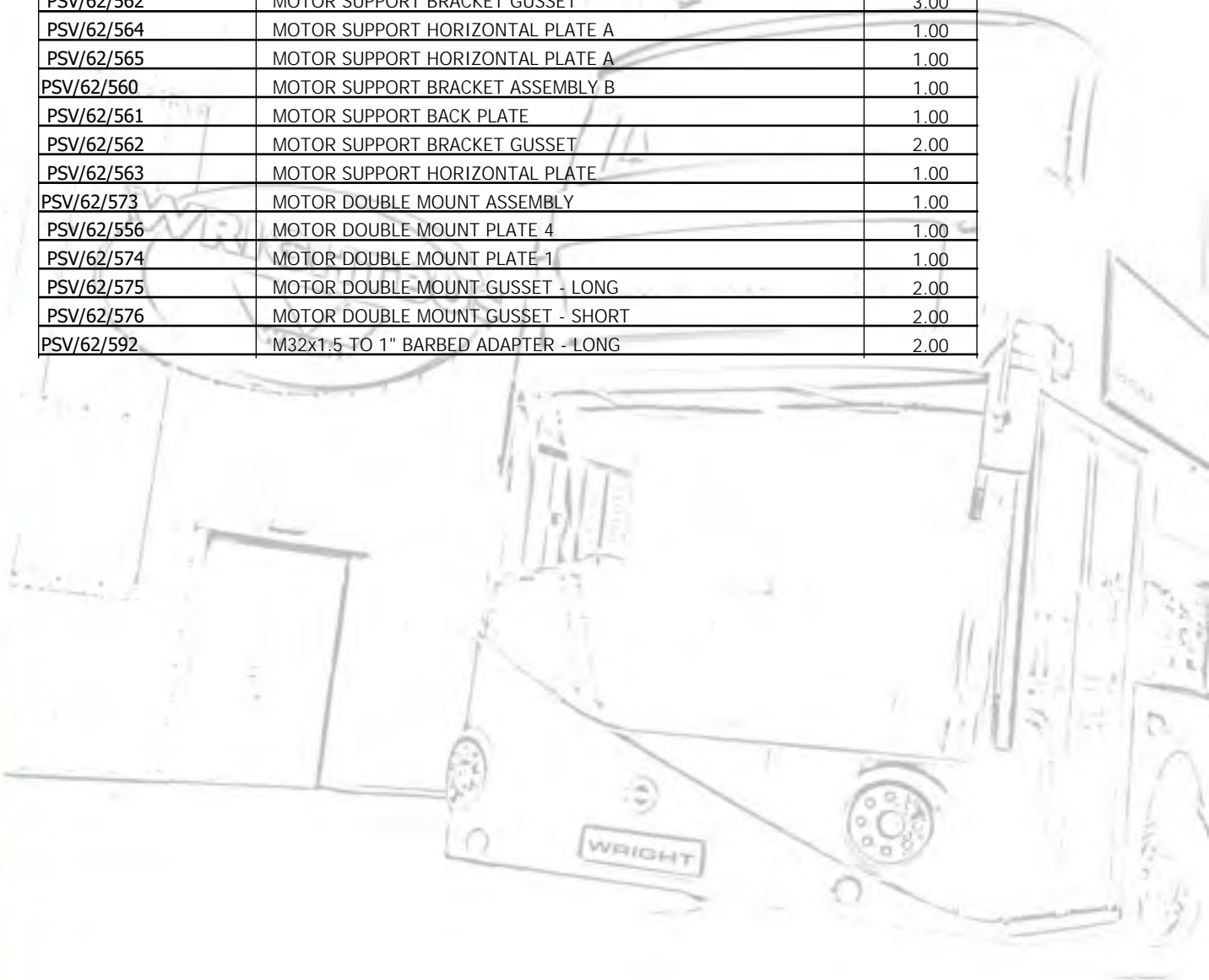
Stock Number	Description	Quantity
PSV/39/846	BRAKE RESISTOR 60kW	1.00
PSV/12/969	RESISTOR BRCKT STRAP	2.00
PSV/11/391	BRAKING RESISTOR SUPPORT BRACKET	2.00
PSV/60/828	M8 SELF FINISH HEX NUT	2.00
PSV/63/104	SUPPORT BRACKET MAIN STAY	1.00
PSV/12/969	RESISTOR BRCKT STRAP	1.00



W00-00234
PEM MOTOR



Stock Number	Description	Quantity
PSV/62/578	PM MOTOR - 1DB2016-WS54	1.00
PSV/62/548	SNUBBING WASHER - MOTOR MOUNT	8.00
PSV/62/549	MOUNT VIBRATION FOR MOTOR	4.00
PSV/62/554	MOTOR DOUBLE MOUNT FIXING PLATE	1.00
PSV/62/555	VIBRATION MOUNT - 65 HARDNESS	4.00
PSV/62/579	ANGLE M32x1.5	1.00
PSV/62/580	COUPLING M32 WITH SEALING	1.00
PSV/62/978	M12x1.75X25 FLANGE BOLTG10.9 GEOMET 500	27.00
PSV/11/512	M12x1.75 FLANGE HEAD NUT G10 GEOMET 500	3.00
PSV/63/038	M16x2 FLANGE HEAD NUT G10, GEOMET 500	4.00
PSV/62/979	M16x2 BY 120 FLANGE BOLTG10.9 GEOMET 500	4.00
PSV/62/559	MOTOR SUPPORT BRACKET ASSEMBLY A	1.00
PSV/62/562	MOTOR SUPPORT BRACKET GUSSET	3.00
PSV/62/564	MOTOR SUPPORT HORIZONTAL PLATE A	1.00
PSV/62/565	MOTOR SUPPORT HORIZONTAL PLATE A	1.00
PSV/62/560	MOTOR SUPPORT BRACKET ASSEMBLY B	1.00
PSV/62/561	MOTOR SUPPORT BACK PLATE	1.00
PSV/62/562	MOTOR SUPPORT BRACKET GUSSET	2.00
PSV/62/563	MOTOR SUPPORT HORIZONTAL PLATE	1.00
PSV/62/573	MOTOR DOUBLE MOUNT ASSEMBLY	1.00
PSV/62/556	MOTOR DOUBLE MOUNT PLATE 4	1.00
PSV/62/574	MOTOR DOUBLE MOUNT PLATE 1	1.00
PSV/62/575	MOTOR DOUBLE MOUNT GUSSET - LONG	2.00
PSV/62/576	MOTOR DOUBLE MOUNT GUSSET - SHORT	2.00
PSV/62/592	M32x1.5 TO 1" BARBED ADAPTER - LONG	2.00





W00-00236

UNDERFRAME - MIDDLE AND REAR - NBFL



Stock Number	Description	Quantity
PSV/63/334	BATTERY FRAME SUPPORT ANGLE ASSY	1.00
PSV/63/473	BATTERY ASSEMBLY SUPPORT ANGLE	1.00
PSV/63/504	BATTERY FRAME BACK STOP	1.00
PSV/63/335	BATTERY FRAME SUPPORT ANGLE ASSY	1.00
PSV/63/474	BATTERY ASSEMBLY SUPPORT ANGLE	1.00
PSV/63/504	BATTERY FRAME BACK STOP	1.00
PSV/63/349	MID CHASSIS SECTION - NBFL	1.00
PSV/63/324	FRONT DRIVER SIDE CHASSIS MEMBER W/A	1.00
PSV/63/358	MID FRAME FRONT ATTACHMENT BRACKET	2.00
PSV/63/392	Offside front midsection longitudinal	1.00
PSV/63/393	CHASSIS ENDPLATE	1.00
PSV/63/394	CABLE ACCESS TUBE	2.00
PSV/63/325	FRONT NEAR SIDE CHASSIS MEMBER W/A	1.00
PSV/63/358	MID FRAME FRONT ATTACHMENT BRACKET	2.00
PSV/63/391	Nearside front midsection longitudinal	1.00
PSV/63/393	CHASSIS ENDPLATE	1.00
PSV/63/394	CABLE ACCESS TUBE	1.00
PSV/63/718	CABLE ACCESS TUBE - LONG	1.00
PSV/63/326	MID SECTION TRANSVERSE MEMBER W/A	2.00
PSV/63/408	MAIN CHASSIS CROSSMEMBER	1.00
PSV/63/410	CROSSMEMBER ENDPLATE	2.00
PSV/63/516	CABLE ACCESS TUBE ASSEMBLY	5.00
PSV/63/517	CABLE ACCESS TUBE - TOP	1.00
PSV/63/518	CABLE ACCESS TUBE - BOTTOM	1.00
PSV/63/340	REAR HEAVY WALL TRANSVERSE MEMBER W/A	1.00
PSV/63/410	CROSSMEMBER ENDPLATE	2.00
PSV/63/516	CABLE ACCESS TUBE ASSEMBLY	5.00
PSV/63/517	CABLE ACCESS TUBE - TOP	1.00
PSV/63/518	CABLE ACCESS TUBE - BOTTOM	1.00
PSV/63/633	REAR CHASSIS CROSS MEMBER - HEAVY WALL	1.00
PSV/45/482	MID FRAME PILLAR FIXING BRACKET	4.00
PSV/63/357	MID FRAME PILLAR BRACKET GUSSET	6.00
PSV/63/359	MID FRAME FRONT CROSS BRACE	1.00
PSV/63/395	MIDSECTION LONGITUDINAL	2.00
PSV/63/396	MIDSECTION LONGITUDINAL	2.00
PSV/63/400	3 HOLE ENDPLATE	1.00
PSV/63/403	UNDERFRAME SUPPORT ANGLE	1.00
PSV/63/404	UNDERFRAME SUPPORT ANGLE	2.00
PSV/63/405	DIAGONAL BRACE - MID SECTION	1.00
PSV/63/406	DIAGONAL BRACE - MID SECTION	1.00
PSV/63/407	FIBREGLASS SUPPORT ANGLE - MID SECTION	2.00
PSV/63/452	MID FRAME BOLT ON ANGLE	1.00
PSV/63/468	MID FRAME SUPPORT ANGLE	1.00
PSV/63/511	FLOOR SUPPORT ANGLE	4.00
PSV/63/538	STAIRCASE STRUCTURE SUPP BRKT	1.00
PSV/63/508	COMPRESSOR MOUNTING BRACKET	1.00
PSV/63/510	COMPRESSOR MOUNTING BRACKET GUSSET	3.00
PSV/63/562	PILLAR FIXING BRACKET - HV BATTERY	1.00
PSV/63/563	GUSSET PLATE - PILLAR FIXING BRACKET	1.00



W00-00236

UNDERFRAME - MIDDLE AND REAR - NBFL



Stock Number	Description	Quantity
PSV/63/655	FIBREGLASS SUPPORT - NEARSIDE FRONT	1.00
PSV/63/689	MID TRANSVERSE BEAM CHEESE GUSSET	6.00
PSV/63/701	FUEL PIPE SUPPORT PLATE - ANGLED	5.00
PSV/63/717	HAND POLE SUPPORT PLATE	1.00
PSV/64/087	NBFL MID DOOR RAMP SKID PLATE PACKER	1.00
PSV/63/690	MID TRANSVERSE BEAM GUSSET	1.00
PSV/63/691	MID TRANSVERSE BEAM GUSSET 2	1.00
PSV/63/714	MID FRAME MID CROSS BRACE	1.00
PSV/63/715	MID FRAME REAR CROSS BRACE	1.00
PSV/63/756	SEAT SUPPORT - 1	2.00
PSV/63/757	SEAT SUPPORT - 2	2.00
PSV/63/351	REAR CHASSIS SECTION - NBFL	1.00
PSV/63/327	REAR ANGLED SECTION - DRIVER SIDE	1.00
PSV/63/371	REAR FOLDED CHANNEL - OFFSIDE	1.00
PSV/63/372	REAR FOLDED CHANNEL FLITCH - OFFSIDE	1.00
PSV/63/388	LONGITUDINAL PLATE	1.00
PSV/63/501	CABLE ACCESS TUBE	1.00
PSV/63/328	REAR ANGLED SECTION - NEARSIDE	1.00
PSV/63/369	REAR FOLDED CHANNEL - DRIVER SIDE	1.00
PSV/63/370	FOLDED CHANNEL FLITCH - DRIVER SIDE	1.00
PSV/63/388	LONGITUDINAL PLATE	1.00
PSV/63/390	CHASSIS LONGITUDINAL PART	2.00
PSV/63/502	CABLE ACCESS TUBE - 120	1.00
PSV/63/329	CHASSIS FRAME FRONT OMEGA W/A	1.00
PSV/63/356	AIRBAG SUPPORT PLATE GUSSET	4.00
PSV/63/366	FRONT FLOOR PACKER	1.00
PSV/63/367	VERTICAL CLOSING PLATE - DRIVER SIDE	1.00
PSV/63/368	VERTICAL CLOSING PLATE - FRONT OFFSIDE	1.00
PSV/63/373	FRONT OMEGA SECTION GUSSET - OFFSIDE	1.00
PSV/63/374	FRONT OMEGA SECTION GUSSET - DRIVER SIDE	1.00
PSV/63/389	REAR FRAME CROSSRUN	2.00
PSV/63/390	CHASSIS LONGITUDINAL PART	1.00
PSV/63/399	REAR AXLE MID CROSSRUN	1.00
PSV/63/402	FRONT OUTER CHASSIS UPRIGHT	2.00
PSV/63/424	FRONT VERTICAL INNER BOX SECTION	2.00
PSV/63/506	BRACKET FOR RADIATOR	1.00
PSV/63/507	BRACKET FOR RADIATOR	1.00
PSV/63/564	AIRBAG SUPPORT PLATE	2.00
PSV/63/565	AIRBAG INNER GUSSET	2.00
PSV/63/566	CORNER STIFFENING GUSSET	2.00
PSV/63/609	DAMPER SIDE PLATE - OUTER	2.00
PSV/63/610	DAMPER SUPPORT PLATE	2.00
PSV/63/611	DAMPER SIDE PLATE - INNER	2.00
PSV/63/688	PEM MOTOR BOX SECTION GUSSET	1.00
PSV/63/330	CHASSIS FRAME REAR OMEGA W/A	1.00
PSV/63/356	AIRBAG SUPPORT PLATE GUSSET	4.00
PSV/63/360	LOWER ROD FIXING BLOCK	2.00
PSV/63/361	LOWER ROD FIXING BLOCK SPACER	2.00
PSV/63/375	REAR VERTICAL CLOSING PLATE - DRIVERSIDE	1.00



W00-00236

UNDERFRAME - MIDDLE AND REAR - NBFL



Stock Number	Description	Quantity
PSV/63/376	REAR VERTICAL CLOSING PLATE - OFFSIDE	1.00
PSV/63/381	FOLDED CHANNEL - REAR CENTRAL	1.00
PSV/63/382	U-PLATE - CHASSIS REAR	1.00
PSV/63/383	FILLER PLATE - BOLTING BLOCK - OFFSIDE	2.00
PSV/63/384	END PLATE - BOLTING BLOCK - DRIVER SIDE	1.00
PSV/63/385	END PLATE - BOLTING BLOCK - OFFSIDE	1.00
PSV/63/397	REAR CHASSIS CROSSRUN	1.00
PSV/63/398	REAR AXLE CROSSRUN	1.00
PSV/63/412	VERTICAL BOX - REAR DRIVER SIDE	2.00
PSV/63/432	ENGINE MOUNT BLADE	1.00
PSV/63/523	CHASSIS STRENGTHENING PLATE	1.00
PSV/63/551	TAPPED BUSH - TIE ROD BLOCK	8.00
PSV/63/552	FABRICATED REAR ACCESS TUBE HALF	2.00
PSV/63/560	ENGINE ENCLOSURE SUPPORT PLATE	1.00
PSV/63/564	AIRBAG SUPPORT PLATE	2.00
PSV/63/565	AIRBAG INNER GUSSET	2.00
PSV/63/566	CORNER STIFFENING GUSSET	2.00
PSV/63/573	CORNER GUSSET - ENGINE SUPPORT	2.00
PSV/63/609	DAMPER SIDE PLATE - OUTER	2.00
PSV/63/610	DAMPER SUPPORT PLATE	2.00
PSV/63/611	DAMPER SIDE PLATE - INNER	2.00
PSV/63/698	CHASSIS GUSSET - REAR UPPER TIE ROD	2.00
PSV/63/720	REAR AXLE BEAM INTERNAL BAFFLE	4.00
PSV/63/751	JACKING SUPPORT GUSSET	2.00
PSV/63/344	ENGINE LONGIT ASSEMBLY - ENGINE SUPPORT	1.00
PSV/62/552	EXHAUST MOUNT BRKT TO LONGIT	2.00
PSV/63/454	ENGINE LONGIT CABLE TUBE	1.00
PSV/63/579	CLOSING WEB	1.00
PSV/63/580	ENGINE LONGIT FILLET	1.00
PSV/63/581	ENGINE LONGIT VERTICAL GUSSET PLATE	1.00
PSV/63/588	CLOSING CHANNEL - ENGINE WELDED LEG	1.00
PSV/63/589	FERRULE - ENGINE LEG	3.00
PSV/63/644	ENGINE LONGIT TOP - FRONT	1.00
PSV/63/645	ENGINE LONGIT MAIN SIDE	1.00
PSV/63/649	ENGINE LONGIT VERTICAL GUSSET PLATE	1.00
PSV/64/099	NBFL ENGINE ENCLOSURE SUPPORT PART	1.00
PSV/63/362	FRONT INNER GUSSET - DRIVERSIDE	1.00
PSV/63/363	FRONT INNER GUSSET - OFFSIDE	1.00
PSV/63/364	FRONT OUTER GUSSET - DRIVERSIDE	1.00
PSV/63/365	FRONT OUTER GUSSET - OFFSIDE	1.00
PSV/63/377	FLOOR PLATE - CENTRAL	1.00
PSV/63/378	DIFF COVER PLATE	1.00
PSV/63/379	FLOOR PLATE - FRONT	1.00
PSV/63/380	FLOOR PLATE - REAR	1.00
PSV/63/386	BOLTING BLOCK TOP GUSSET - DRIVERSIDE	1.00
PSV/63/387	BOLTING BLOCK TOP GUSSET - OFFSIDE	1.00
PSV/63/401	CHASSIS BRACE	1.00
PSV/63/413	GOALPOST - DRIVER SIDE	1.00
PSV/63/414	GOALPOST FLANGE	2.00



W00-00236

UNDERFRAME - MIDDLE AND REAR - NBFL



Stock Number	Description	Quantity
PSV/63/419	COVER SUPPORT BOX SECTION - LONGITUDINAL	4.00
PSV/63/420	COVER SUPPORT BOX SECTION - TRANSVERSE	4.00
PSV/63/421	REAR INNER GUSSET - DRIVER SIDE	1.00
PSV/63/422	REAR INNER GUSSET - NEAR SIDE	1.00
PSV/63/423	FLOOR GUSSET - UNDERNEATH	1.00
PSV/63/425	CABLE ACCESS BOX SECTION TUBE	2.00
PSV/63/426	CABLE ACCESS GUSSET - UPPER	2.00
PSV/63/480	MOTOR SUPPORT ASSEMBLY - CHASSIS INNER	1.00
PSV/63/481	MOTOR SUPPORT 1 - CHASSIS INNER	1.00
PSV/63/482	MOTOR SUPPORT 2 - CHASSIS INNER	1.00
PSV/63/489	MOTOR SUPPORT 3 - CHASSIS INNER	1.00
PSV/63/483	DOUBLE MOTOR SUPPORT ASSEMBLY - CHASSIS	1.00
PSV/63/482	MOTOR SUPPORT 2 - CHASSIS INNER	2.00
PSV/63/484	DOUBLE MOTOR SUPPORT 1 - CHASSIS	1.00
PSV/63/485	DOUBLE MOTOR SUPPORT 2 - CHASSIS	4.00
PSV/63/486	DOUBLE MOTOR SUPPORT 4 - CHASSIS	1.00
PSV/63/487	MOTOR SUPPORT ASSEMBLY - CHASSIS OUTER	1.00
PSV/63/482	MOTOR SUPPORT 2 - CHASSIS INNER	1.00
PSV/63/488	MOTOR SUPPORT 1 - CHASSIS OUTER	1.00
PSV/63/490	MOTOR SUPPORT 2 - CHASSIS OUTER	1.00
PSV/63/491	CHASSIS BOX - MOTOR SUPPORT LONGITUDINAL	1.00
PSV/63/492	CHASSIS BOX - MOTOR SUPPORT - ANGLED	1.00
PSV/63/503	BRACKET FOR DOSING PUMP	1.00
PSV/63/505	BRACKET REAR AIR RESERVOIR	1.00
PSV/63/527	AXLE BEAM WELD ASSEMBLY - KERBSIDE	1.00
PSV/63/409	CHASSIS LOOM ACCESS TUBE	1.00
PSV/63/467	AIR VALVE ATTACHMENT BRACKET	1.00
PSV/63/524	REAR FRAME AXLE LOWER TUBE WELD ASSEMBLY	1.00
PSV/63/525	REAR FRAME AXLE LOWER TUBE TOP	1.00
PSV/63/526	REAR FRAME AXLE LOWER TUBE SIDE	2.00
PSV/63/527	INNER PLATE - KERBSIDE	1.00
PSV/63/529	OUTER PLATE - KERBSIDE	1.00
PSV/63/530	AXLE UPPER TUBE WELD ASSEMBLY	1.00
PSV/63/531	AXLE UPPER TUBE TOP	1.00
PSV/63/532	AXLE UPPER TUBE FRONT	1.00
PSV/63/533	AXLE UPPER TUBE REAR	1.00
PSV/63/534	AXLE UPPER TUBE ANGLED 1	2.00
PSV/63/536	INNER STIFFENER - AXLE BEAM	2.00
PSV/63/537	COVER PLATE - AXLE BEAM	1.00
PSV/63/704	AXLE BEAM GUSSET	1.00
PSV/63/705	AXLE BEAM INNER GUSSET	4.00
PSV/63/553	RADIATOR SUPPORT	1.00
PSV/63/556	AXLE BEAM WELD ASSEMBLY - DRIVER SIDE	1.00
PSV/63/409	CHASSIS LOOM ACCESS TUBE	1.00
PSV/63/467	AIR VALVE ATTACHMENT BRACKET	1.00
PSV/63/524	REAR FRAME AXLE LOWER TUBE WELD ASSEMBLY	1.00
PSV/63/525	REAR FRAME AXLE LOWER TUBE TOP	1.00
PSV/63/526	REAR FRAME AXLE LOWER TUBE SIDE	2.00
PSV/63/529	OUTER PLATE - KERBSIDE	1.00



W00-00236

UNDERFRAME - MIDDLE AND REAR - NBFL



Stock Number	Description	Quantity
PSV/63/536	INNER STIFFENER - AXLE BEAM	2.00
PSV/63/537	COVER PLATE - AXLE BEAM	1.00
PSV/63/557	INNER PLATE - AXLE LONGITUDINAL BEAM, DS	1.00
PSV/63/558	AXLE UPPER TUBE W/A - DRIVER SIDE	1.00
PSV/63/531	AXLE UPPER TUBE TOP	1.00
PSV/63/532	AXLE UPPER TUBE FRONT	1.00
PSV/63/534	AXLE UPPER TUBE ANGLED 1	2.00
PSV/63/559	AXLE UPPER TUBE REAR - DRIVER SIDE	1.00
PSV/63/704	AXLE BEAM GUSSET	1.00
PSV/63/705	AXLE BEAM INNER GUSSET	4.00
PSV/63/572	BRACKET RA BH FITTINGS	2.00
PSV/63/592	GOALPOST LIP TOP	2.00
PSV/63/593	GOALPOST LIP SIDE	2.00
PSV/63/594	GOALPOST LIP SIDE - LONG	2.00
PSV/63/650	GOALPOST - KERBSIDE	1.00
PSV/63/692	GOALPOST REINFORCING PLATE	2.00
PSV/63/706	FLOOR STIFFENER GUSSET - OFFSIDE	1.00
PSV/63/707	FLOOR STIFFENER GUSSET - NEARSIDE	1.00
PSV/63/709	GUSSET - REAR CHASSIS SECTION	2.00
PSV/63/716	ARB VERTICAL STIFFENING PLATE	1.00
PSV/63/721	WEB - ARB MOUNTING BRACKET	2.00
PSV/63/722	PLATE - ARB MOUNTING BRACKET	1.00
PSV/64/143	NBFL REAR WARCH/BRACE CONNECT BRK ASSEM	1.00
PSV/64/144	NBFL REAR WARCH/BRACE CONNECT BRK	1.00
PSV/64/145	NBFL REAR WARCH/BRACE BRK GROUND PLATE	1.00
PSV/63/755	CHASSIS GUSSET - PEM MOTOR	1.00
PSV/63/352	NBFL UNDERFRAME FABRICATION -LABOUR ONLY	1.00
PSV/63/355	INTEGRAL BODY PART - FABRICATED PARTS	6.00
PSV/63/411	FLOOR SUPPORT PLATE	2.00
PSV/63/535	INVERT SUPPORT BRACKET	1.00
PSV/63/544	INVERTER SUPPORT FRAME BRACKET	1.00
PSV/63/541	INVERTER ATTACHMENT ANGLE	1.00
PSV/63/542	INVERTER ANGLE GUSSET	1.00
PSV/63/543	INVERTER ANGLE GUSSET	1.00
PSV/63/553	RADIATOR SUPPORT	1.00
PSV/63/569	CABLE BRACKET - ANGLED	1.00
PSV/63/570	CABLE BRACKET	2.00
PSV/63/571	CABLE BRACKET - SHORT	10.00
PSV/63/608	INVERTER SUPPORT BRACKET	1.00
PSV/63/651	INVERTER SUPPORT BRACKET REAR GUSSET	1.00
PSV/63/659	INNER SUPPORT BRACKET WELD ASSEMBLY	1.00
PSV/60/160	M6x20 CAD ENG.BOLT	3.00
PSV/43/676	M6 OPEN END NUTSERT	1.00
PSV/63/658	INNER SUPPORT BRACKET - CABLES	1.00
PSV/63/662	SUPPORT BRACKET WELD ASSEMBLY	3.00
PSV/60/160	M6x20 CAD ENG.BOLT	3.00
PSV/43/676	M6 OPEN END NUTSERT	1.00
PSV/63/660	SUPPORT BRACKET - CABLES	1.00
PSV/63/661	SUPPORT BRACKET - 105mm	1.00



W00-00236

UNDERFRAME - MIDDLE AND REAR - NBFL



Stock Number	Description	Quantity
PSV/63/699	PIPE SUPPORT PLATE - SHORT	1.00
PSV/63/700	PIPE SUPPORT PLATE - LONG	1.00
PSV/63/750	CABLE BRACKET	6.00
PSV/50/542	HEATER PIPE BRACKET	10.00
PSV/64/162	HEATER SUPPORT BRACKET	2.00

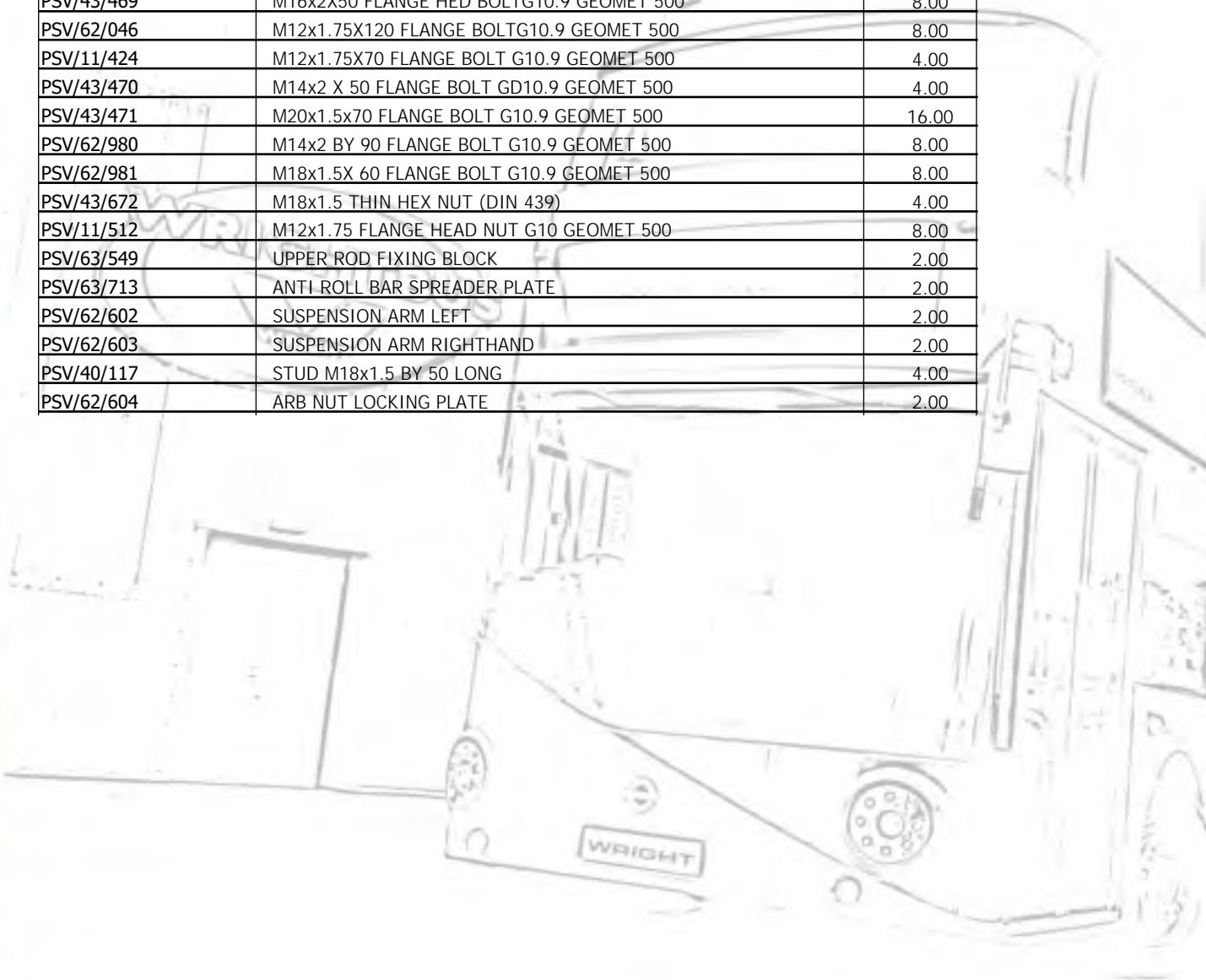


W00-00241

SUSPENSION - REAR - NBFL



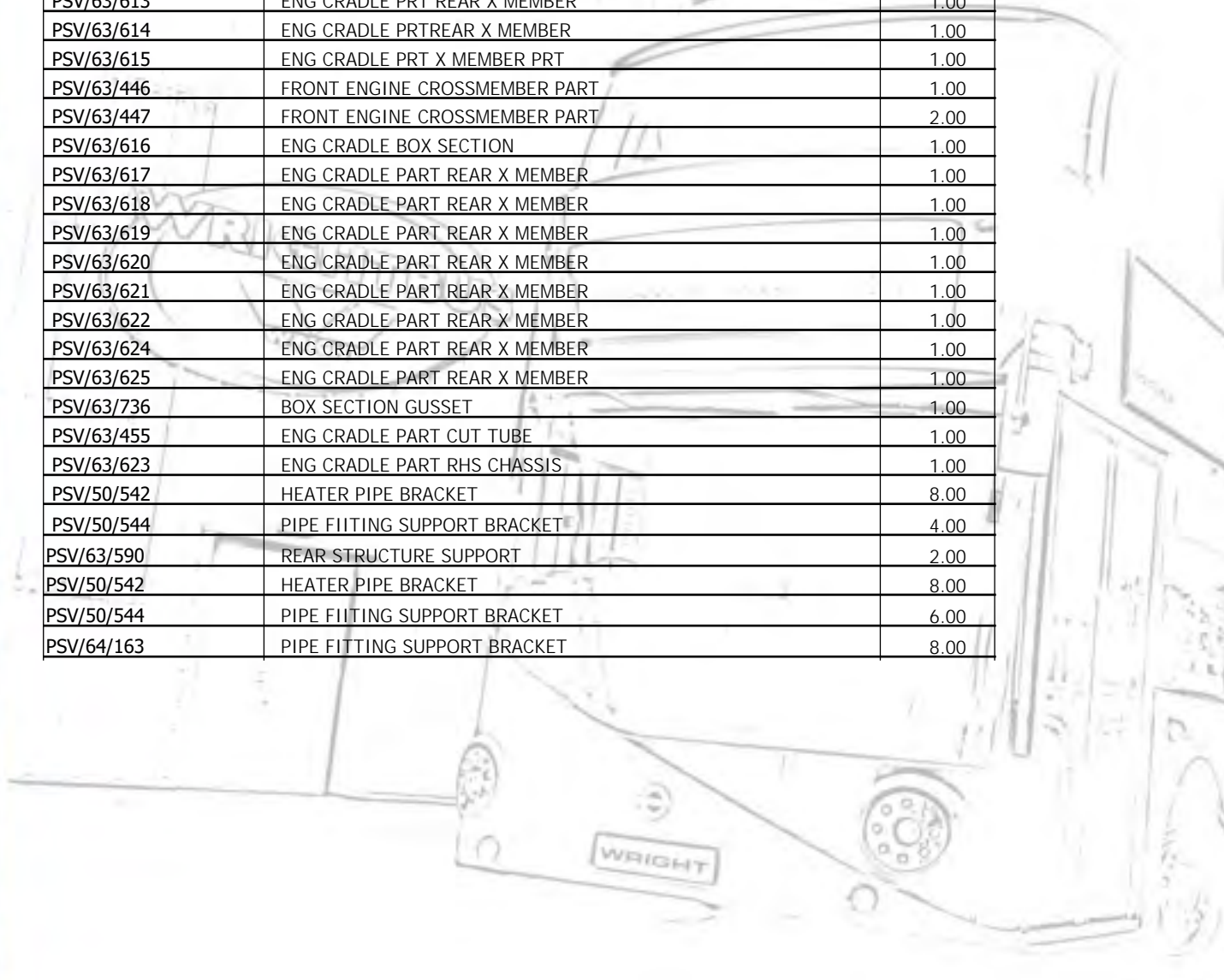
Stock Number	Description	Quantity
PSV/40/079	BRACKET FOR LINK ARM TO SUSP ARM	2.00
PSV/62/595	ARB LINK ARM ASSY BRKT COMPONENT 1	1.00
PSV/62/596	ARB LINK ARM BRKT COMPONENT 2	2.00
PSV/40/110	DRIVE AXLE DAMPER SACHS	4.00
PSV/62/597	STABILISER BAR	1.00
PSV/40/112	BLOCK	2.00
PSV/40/113	SILENT BLOC	4.00
PSV/62/598	STRAP	2.00
PSV/62/041	STABILISER SHACKLE	2.00
PSV/40/114	NBFL drive axle spring Vibracoustic 26a-	4.00
PSV/40/115	ANTI ROLL BAR LOWER CLAMP	2.00
PSV/40/116	ANTI ROLL BAR UPPER CLAMP	2.00
PSV/43/469	M16x2X50 FLANGE HED BOLT G10.9 GEOMET 500	8.00
PSV/62/046	M12x1.75X120 FLANGE BOLT G10.9 GEOMET 500	8.00
PSV/11/424	M12x1.75X70 FLANGE BOLT G10.9 GEOMET 500	4.00
PSV/43/470	M14x2 X 50 FLANGE BOLT GD10.9 GEOMET 500	4.00
PSV/43/471	M20x1.5x70 FLANGE BOLT G10.9 GEOMET 500	16.00
PSV/62/980	M14x2 BY 90 FLANGE BOLT G10.9 GEOMET 500	8.00
PSV/62/981	M18x1.5X 60 FLANGE BOLT G10.9 GEOMET 500	8.00
PSV/43/672	M18x1.5 THIN HEX NUT (DIN 439)	4.00
PSV/11/512	M12x1.75 FLANGE HEAD NUT G10 GEOMET 500	8.00
PSV/63/549	UPPER ROD FIXING BLOCK	2.00
PSV/63/713	ANTI ROLL BAR SPREADER PLATE	2.00
PSV/62/602	SUSPENSION ARM LEFT	2.00
PSV/62/603	SUSPENSION ARM RIGHTHAND	2.00
PSV/40/117	STUD M18x1.5 BY 50 LONG	4.00
PSV/62/604	ARB NUT LOCKING PLATE	2.00



W00-00242
ENGINE CRADLE - NBFL



Stock Number	Description	Quantity
PSV/43/469	M16x2X50 FLANGE HED BOLT G10.9 GEOMET 500	6.00
PSV/62/046	M12x1.75X120 FLANGE BOLT G10.9 GEOMET 500	3.00
PSV/62/977	M24x3X100 FLANGE BOLT G10.9 GEOMET 500	1.00
PSV/11/512	M12x1.75 FLANGE HEAD NUT G10 GEOMET 500	3.00
PSV/63/038	M16x2 FLANGE HEAD NUT G10, GEOMET 500	6.00
PSV/63/039	M24x3 FLANGE HEAD NUT, G10, GEOMET 500	1.00
PSV/63/339	ENG CRADLE ASSY BOUGHT IN PART	1.00
PSV/62/957	M12x30 ZINC PLATED ENG BOLT	4.00
PSV/62/961	M12 HIGH TENSILE NYLOC NUT GRADE 10.9	4.00
PSV/62/966	M14x40mm HEX HEAD ZINC PLATED GRADE 10.9	4.00
PSV/63/035	M14 NYLOC NUT ZINC PLATED GRADE 10	4.00
PSV/63/612	ENG CRADLE WELDED ASSY	1.00
PSV/63/613	ENG CRADLE PRT REAR X MEMBER	1.00
PSV/63/614	ENG CRADLE PRT REAR X MEMBER	1.00
PSV/63/615	ENG CRADLE PRT X MEMBER PRT	1.00
PSV/63/446	FRONT ENGINE CROSSMEMBER PART	1.00
PSV/63/447	FRONT ENGINE CROSSMEMBER PART	2.00
PSV/63/616	ENG CRADLE BOX SECTION	1.00
PSV/63/617	ENG CRADLE PART REAR X MEMBER	1.00
PSV/63/618	ENG CRADLE PART REAR X MEMBER	1.00
PSV/63/619	ENG CRADLE PART REAR X MEMBER	1.00
PSV/63/620	ENG CRADLE PART REAR X MEMBER	1.00
PSV/63/621	ENG CRADLE PART REAR X MEMBER	1.00
PSV/63/622	ENG CRADLE PART REAR X MEMBER	1.00
PSV/63/624	ENG CRADLE PART REAR X MEMBER	1.00
PSV/63/625	ENG CRADLE PART REAR X MEMBER	1.00
PSV/63/736	BOX SECTION GUSSET	1.00
PSV/63/455	ENG CRADLE PART CUT TUBE	1.00
PSV/63/623	ENG CRADLE PART RHS CHASSIS	1.00
PSV/50/542	HEATER PIPE BRACKET	8.00
PSV/50/544	PIPE FITTING SUPPORT BRACKET	4.00
PSV/63/590	REAR STRUCTURE SUPPORT	2.00
PSV/50/542	HEATER PIPE BRACKET	8.00
PSV/50/544	PIPE FITTING SUPPORT BRACKET	6.00
PSV/64/163	PIPE FITTING SUPPORT BRACKET	8.00

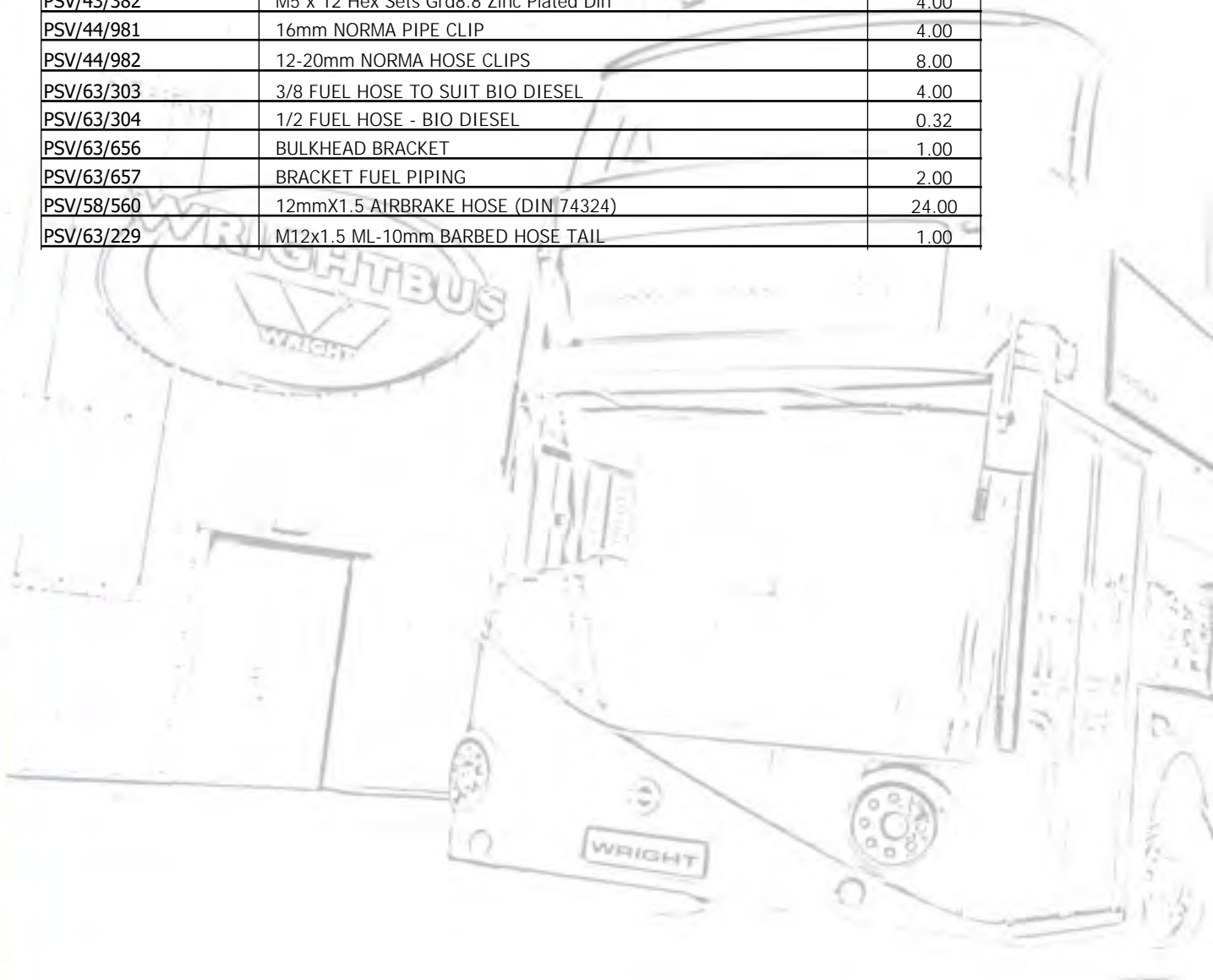


W00-00244

FUEL SYSTEM NBFL - ADJUSTABLE VOLUME



Stock Number	Description	Quantity
PSV/62/260	MALE M22 FEMALE M16 BULKHEAD ADAPTOR	2.00
PSV/62/030	ADAPTOR 1/4BSPT 3/8BSPP	4.00
PSV/62/547	NBFL FUEL TANK - ADJUSTABLE VOLUME	1.00
PSV/39/844	FUEL CUT OFF - SOLENOID OPERATED	2.00
PSV/62/580	ADAPTOR 3/8NPTF 12PIF FUEL	2.00
PSV/62/581	ADAPTOR 3/8NPTFX3/8 HOSE TAIL	1.00
PSV/62/582	ADAPTOR 3/8NPTFX1/2 HOSE TAIL	1.00
PSV/62/742	M16M 12PIF FUEL ADAPTOR	2.00
PSV/62/754	M16x1.5 - 12L ADAPTER	2.00
PSV/62/755	M14x1.5 - 10L ADAPTER	1.00
PSV/62/756	3/8 BARBED END TO 12L FEMALE SWEPT 90	2.00
PSV/62/757	3/8 BARBED END TO 10L FEMALE SWEPT 90	1.00
PSV/43/382	M5 x 12 Hex Sets Grd8.8 Zinc Plated Din	4.00
PSV/44/981	16mm NORMA PIPE CLIP	4.00
PSV/44/982	12-20mm NORMA HOSE CLIPS	8.00
PSV/63/303	3/8 FUEL HOSE TO SUIT BIO DIESEL	4.00
PSV/63/304	1/2 FUEL HOSE - BIO DIESEL	0.32
PSV/63/656	BULKHEAD BRACKET	1.00
PSV/63/657	BRACKET FUEL PIPING	2.00
PSV/58/560	12mmX1.5 AIRBRAKE HOSE (DIN 74324)	24.00
PSV/63/229	M12x1.5 ML-10mm BARBED HOSE TAIL	1.00





W00-00245

UREA SYSTEM - NBFL



Stock Number	Description	Quantity
PSV/62/040	TA UREA TANK 20L	1.00
PSV/62/743	UREA SYSTEM PIPING	1.00
PSV/62/744	ASSY UREA FEED PIPE	1.00
PSV/62/747	QC FITTING STRAIGHT	1.00
PSV/40/249	QC FITTING ELBOW	1.00
PSV/62/751	UREA PIPE SUPPLY	5.00
PSV/62/745	ASSY UREA RETURN PIPE	1.00
PSV/62/748	QC FITTING STRAIGHT	1.00
PSV/62/749	QC FITTING ELBOW	1.00
PSV/62/752	UREA PIPE RETURN	5.00
PSV/62/746	ASSY UREA DELIVERY PIPE	1.00
PSV/62/750	QC FITTING STRAIGHT	2.00
PSV/40/250	UREA PIPE DELIVERY	3.00
PSV/63/280	NORMA RSGUI 22mm CLIP	6.00
PSV/63/291	NORMA RSGUI 10mm CLIP	1.00
PSV/63/284	NORMA RSGUI 30/15 CLIP	7.00
PSV/63/292	PCLIP TO SUIT 32mm PIPE	1.00
PSV/63/295	6MM PIPE CLIP	6.00

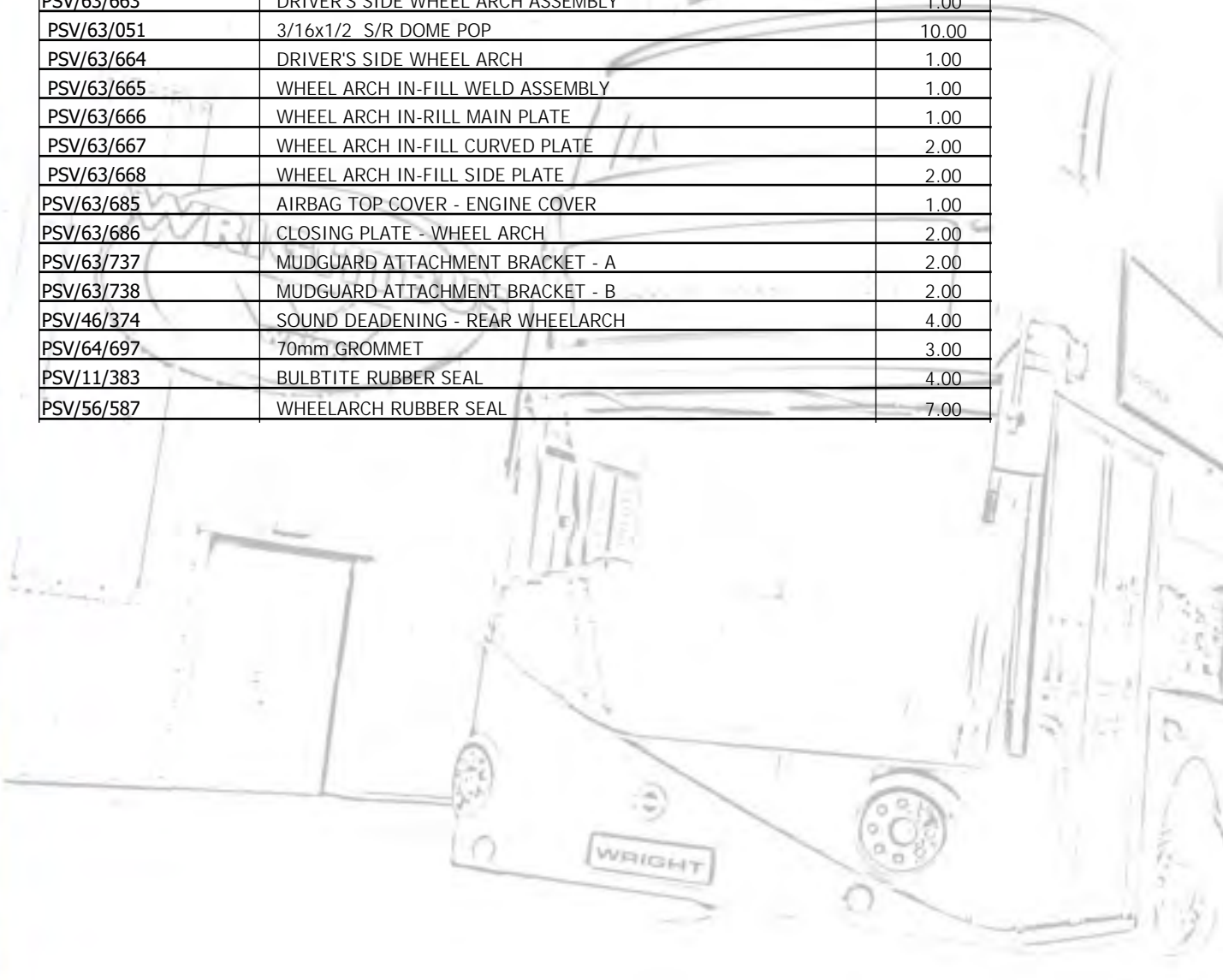


W00-00246

REAR WHEEL ARCHES & REAR MUDFLAPS



Stock Number	Description	Quantity
PSV/130/176	O/S MUD FLAP ATTACHMENT ANGLE	2.00
PSV/60/617	EURO4 D/D MUDFLAP	2.00
PSV/62/952	M6x16 HT SETS ZINC + CLE	4.00
PSV/63/045	M6 LARGE FLANGED HEXSERT	30.00
PSV/63/048	M5 LARGE FLANGE CLOSED END NUTSERT	8.00
PSV/63/415	WHEEL ARCH - BOLT ON	1.00
PSV/63/416	WHEEL ARCH BRAKE COVER	2.00
PSV/63/417	AIRBAG TOP COVER	1.00
PSV/63/418	AIRBAG TOP COVER - REAR NEAR SIDE	2.00
PSV/63/646	MUDFLAP ATTACHMENT PANEL	2.00
PSV/63/647	MUDGUARD SUPPORT ANGLE	4.00
PSV/63/648	MUDFLAP PANEL - REAR	2.00
PSV/63/663	DRIVER'S SIDE WHEEL ARCH ASSEMBLY	1.00
PSV/63/051	3/16x1/2 S/R DOME POP	10.00
PSV/63/664	DRIVER'S SIDE WHEEL ARCH	1.00
PSV/63/665	WHEEL ARCH IN-FILL WELD ASSEMBLY	1.00
PSV/63/666	WHEEL ARCH IN-RILL MAIN PLATE	1.00
PSV/63/667	WHEEL ARCH IN-FILL CURVED PLATE	2.00
PSV/63/668	WHEEL ARCH IN-FILL SIDE PLATE	2.00
PSV/63/685	AIRBAG TOP COVER - ENGINE COVER	1.00
PSV/63/686	CLOSING PLATE - WHEEL ARCH	2.00
PSV/63/737	MUDGUARD ATTACHMENT BRACKET - A	2.00
PSV/63/738	MUDGUARD ATTACHMENT BRACKET - B	2.00
PSV/46/374	SOUND DEADENING - REAR WHEELARCH	4.00
PSV/64/697	70mm GROMMET	3.00
PSV/11/383	BULBTITE RUBBER SEAL	4.00
PSV/56/587	WHEELARCH RUBBER SEAL	7.00



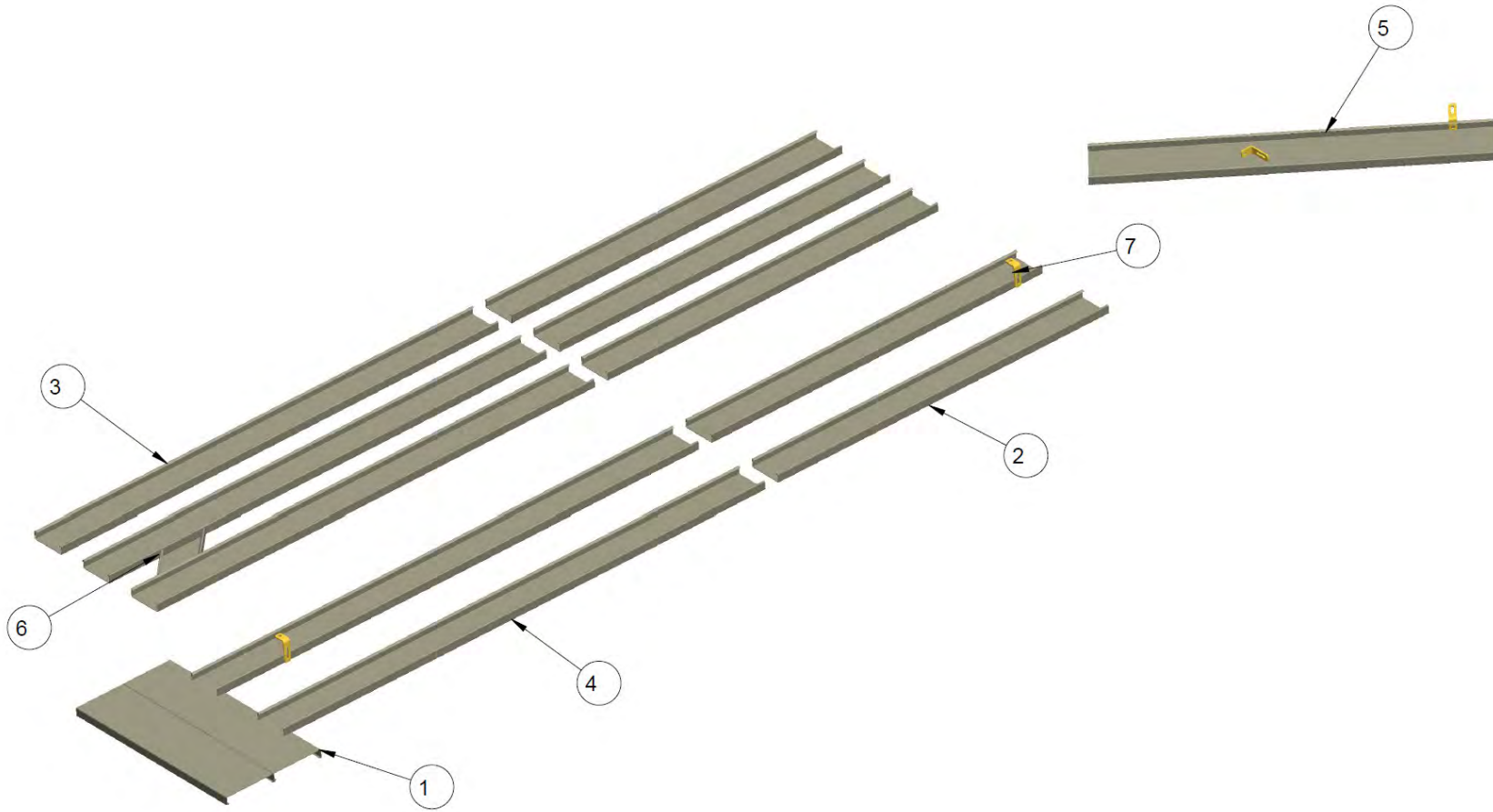
W00-00247
CABLE TRAYS



Stock Number	Description	Quantity
PSV/62/157	CABLE TRAY - 150x25	2.00
PSV/62/865	TAMLEX 150mm x 25mm MED CABLE TRAY 3M	0.19
PSV/62/158	CABLE TRAY - 100x25	5.00
PSV/62/883	TAMLEX 100mm X 25mm MED CABLE TRAY 3M	0.35
PSV/62/159	CABLE TRAY - 100x25	3.00
PSV/62/883	TAMLEX 100mm X 25mm MED CABLE TRAY 3M	0.46
PSV/62/160	CABLE TRAY - 100x25	2.00
PSV/62/883	TAMLEX 100mm X 25mm MED CABLE TRAY 3M	0.51
PSV/62/161	CABLE TRAY - 150x25	1.00
PSV/62/865	TAMLEX 150mm x 25mm MED CABLE TRAY 3M	0.33
PSV/62/162	100x25mm CABLE TRAY	1.00
PSV/62/883	TAMLEX 100mm X 25mm MED CABLE TRAY 3M	0.28
PSV/50/544	PIPE FITTING SUPPORT BRACKET	4.00



Index	PSV Ref	Component Type	Description	Qty
1	PSV/62/157	PART	150x25mm CABLE TRAY	2
2	PSV/62/158	PART	100x25mm CABLE TRAY	5
3	PSV/62/159	PART	100x25mm CABLE TRAY	3
4	PSV/62/160	PART	100x25mm CABLE TRAY	2
5	PSV/62/161	PART	150x25mm CABLE TRAY	1
6	PSV/62/162	PART	100x25mm CABLE TRAY	1
7	PSV/50/544	PART	PIPE FITTING SUPPORT BRKT	4



W00-00247
CABLE TRAYS

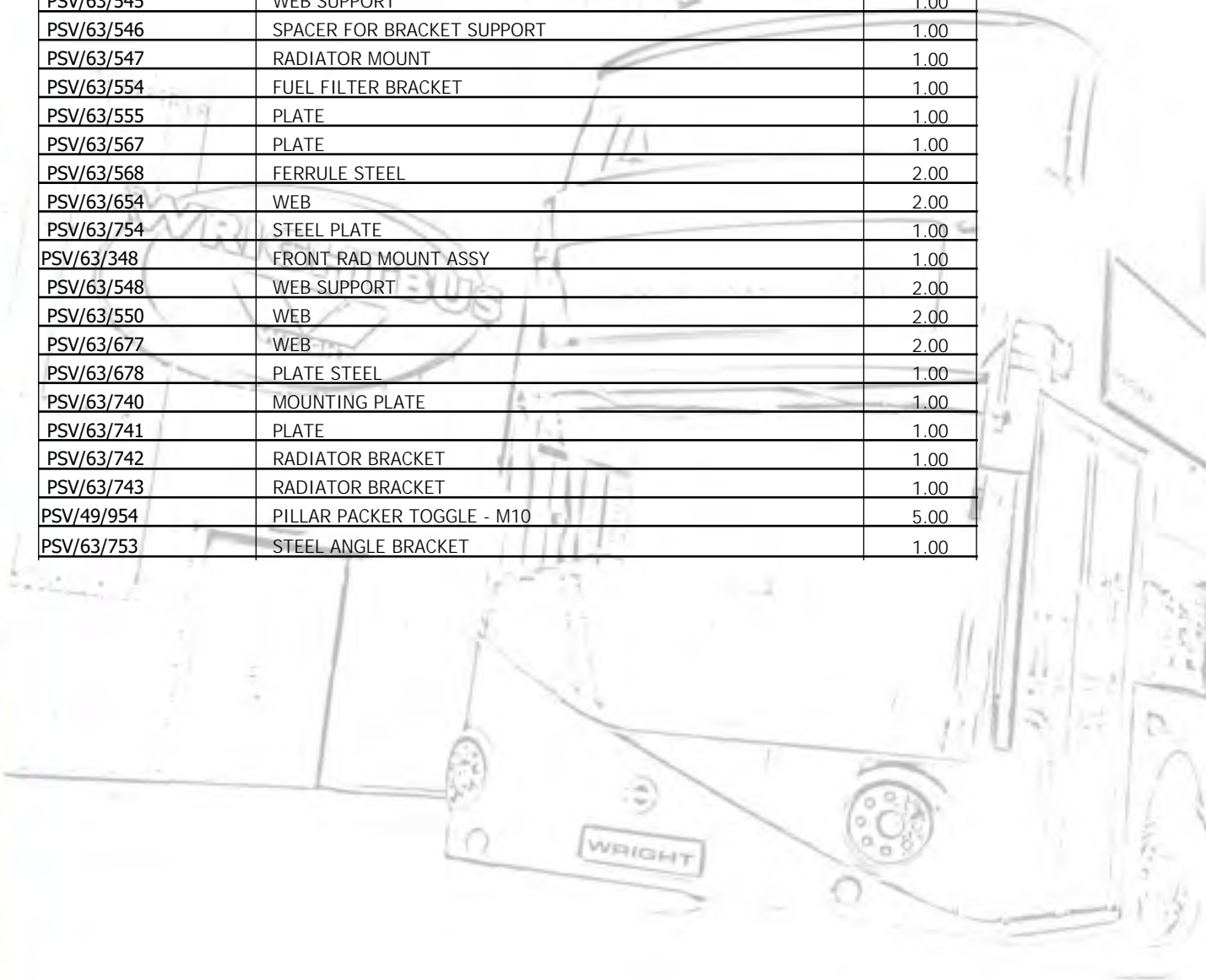


W00-00254

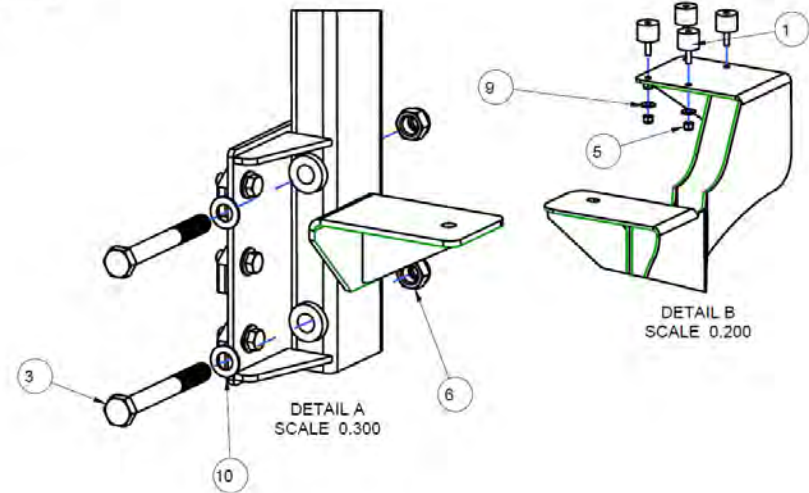
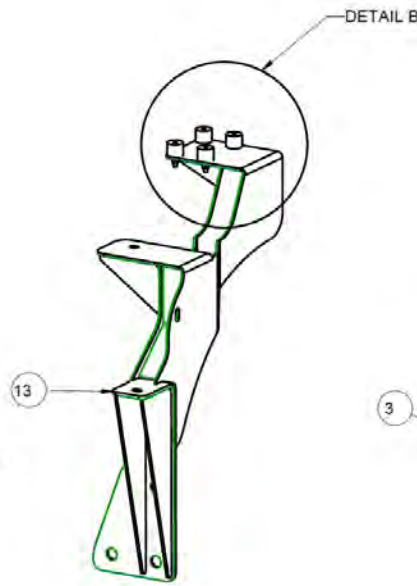
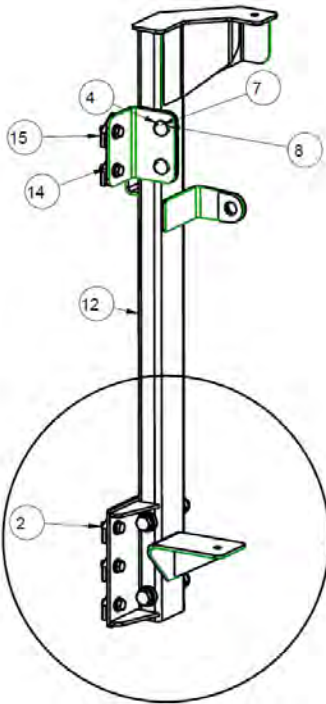
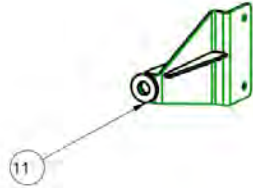
RADIATOR SUPPORT BRACKETS



Stock Number	Description	Quantity
PSV/11/664	V2-25-20-N55 ISOLATING MOUNT	4.00
PSV/63/054	M14 FLAT WASHER HARDENED	4.00
PSV/63/345	RADIATOR BRACKET ASSY	1.00
PSV/63/671	RADIATOR BRACKET	1.00
PSV/63/672	WEB	2.00
PSV/63/673	SPACER	1.00
PSV/63/346	REAR RAD MOUNT ASSY	1.00
PSV/63/475	RADIATOR MOUNT	1.00
PSV/63/476	REAR RAD MOUNT STRUT	1.00
PSV/63/477	RADIATOR MOUNTING PLATE	1.00
PSV/63/478	RADIATOR MOUNT ANGLED PLATE	1.00
PSV/63/479	RADIATOR MOUNT ANGLED PLATE	1.00
PSV/63/545	WEB SUPPORT	1.00
PSV/63/546	SPACER FOR BRACKET SUPPORT	1.00
PSV/63/547	RADIATOR MOUNT	1.00
PSV/63/554	FUEL FILTER BRACKET	1.00
PSV/63/555	PLATE	1.00
PSV/63/567	PLATE	1.00
PSV/63/568	FERRULE STEEL	2.00
PSV/63/654	WEB	2.00
PSV/63/754	STEEL PLATE	1.00
PSV/63/348	FRONT RAD MOUNT ASSY	1.00
PSV/63/548	WEB SUPPORT	2.00
PSV/63/550	WEB	2.00
PSV/63/677	WEB	2.00
PSV/63/678	PLATE STEEL	1.00
PSV/63/740	MOUNTING PLATE	1.00
PSV/63/741	PLATE	1.00
PSV/63/742	RADIATOR BRACKET	1.00
PSV/63/743	RADIATOR BRACKET	1.00
PSV/49/954	PILLAR PACKER TOGGLE - M10	5.00
PSV/63/753	STEEL ANGLE BRACKET	1.00



Index	PSV Ref	Component Type	Description	Qty
1	PSV/11/664	PART	ISOLATING MOUNT	4
2	PSV/61/258	PART	M10x25 VERBUS HT12.9 BOLT	5
3	PSV/61/255	PART	M14 X 120 HEX BOLT DIN 931	2
4	PSV/43/349	PART	M10 x 30 CAD ENG BOLT (12.9)	2
5	PSV/60/161	PART	M6 HEX NYLOC NUT	5
6	PSV/63/035	PART	M14 NYLOC NUT ZINC PLATED GRADE 10	2
7	PSV/61/256	PART	STAINLESS STEEL M10 NYLOC NUT	2
8	PSV/61/257	PART	M10 BRIGHT STEEL WASHER	4
9	PSV/60/827	PART	M6x16 WASHER ZINC/NICKEL	4
10	PSV/63/054	PART	M14 FLAT WASHER HARDENED	4
11	PSV/63/345	ASSEMBLY	RADIATOR BRACKET ASSY	1
12	PSV/63/346	ASSEMBLY	REAR RAD MOUNT ASSY	1
13	PSV/63/348	ASSEMBLY	FRONT RAD MOUNT ASSY	1
14	PSV/63/753	PART	ANGLE BRACKET	1
15	PSV/49/954	PART	M10 PILLAR PACKER TOGGLE	5



W00-00254
RADIATOR SUPPORT BRACKETS



W01-00731

NBFL NEARSIDE SIDEFAME - BASIC ASSEMBLY



Stock Number	Description	Quantity
PSV/62/074	60x40 Stringer	2.00
PSV/11/151	ALUM 60X40 ECO SECT 6.8M LENGTH	0.09
PSV/62/076	60x40 Stringer	3.00
PSV/11/151	ALUM 60X40 ECO SECT 6.8M LENGTH	0.18
PSV/62/078	60x40 Stringer	3.00
PSV/11/151	ALUM 60X40 ECO SECT 6.8M LENGTH	0.15
PSV/62/081	60x40mm Stringer	1.00
PSV/11/151	ALUM 60X40 ECO SECT 6.8M LENGTH	0.04
PSV/62/082	60x40mm Stringer	1.00
PSV/11/151	ALUM 60X40 ECO SECT 6.8M LENGTH	0.04
PSV/62/083	60x40mm Stringer	2.00
PSV/11/151	ALUM 60X40 ECO SECT 6.8M LENGTH	0.22
PSV/62/088	60x40 Alloy stringer	1.00
PSV/11/151	ALUM 60X40 ECO SECT 6.8M LENGTH	0.18
PSV/62/089	60x40 Alloy stringer	3.00
PSV/11/151	ALUM 60X40 ECO SECT 6.8M LENGTH	0.03
PSV/62/090	80x40mm Door head stringer	1.00
PSV/62/034	ALUM EXTR 80x40 OPEN FACE 6.6M	0.18
PSV/62/091	80x40mm Door head stringer	1.00
PSV/62/034	ALUM EXTR 80x40 OPEN FACE 6.6M	0.19
PSV/62/094	120x40mm Stringer	1.00
PSV/38/247	ALUM BOX 120x40 (6.5M)	0.23
PSV/62/095	120x40mm Alloy Stringer	1.00
PSV/38/247	ALUM BOX 120x40 (6.5M)	0.03
PSV/62/098	60x40 Alloy @ 1205mm	1.00
PSV/11/151	ALUM 60X40 ECO SECT 6.8M LENGTH	0.18
PSV/62/099	60x40 Alloy @ 1058mm	1.00
PSV/11/151	ALUM 60X40 ECO SECT 6.8M LENGTH	0.16
PSV/62/100	60x40 alloy @ 1268mm	1.00
PSV/11/151	ALUM 60X40 ECO SECT 6.8M LENGTH	0.19
PSV/62/101	60x40 window rail stringer	1.00
PSV/11/151	ALUM 60X40 ECO SECT 6.8M LENGTH	0.09
PSV/62/103	120x40 window rail @ 1253mm	1.00
PSV/38/247	ALUM BOX 120x40 (6.5M)	0.19
PSV/62/108	60x40 HORIZONTAL STRINGER	1.00
PSV/11/151	ALUM 60X40 ECO SECT 6.8M LENGTH	0.05
PSV/62/109	60x40 HORIZONTAL STRINGER	1.00
PSV/11/151	ALUM 60X40 ECO SECT 6.8M LENGTH	0.34
PSV/62/111	NEARSIDE FLOOR SEAT RAIL	1.00
PSV/38/248	MILL.ALUM.S'RAIL FLAT 6.0M	0.17
PSV/62/114	UPPER DECK NEARSIDE SEATRAIL	1.00
PSV/62/445	DD U/D ALU SEATRAIL 6M LENGTH	0.70
PSV/62/115	UPPER DECK NEARSIDE SEATRAIL	1.00
PSV/62/445	DD U/D ALU SEATRAIL 6M LENGTH	0.74
PSV/62/116	NEARSIDE SIDE PLANK - LIGHTWEIGHT	1.00
PSV/62/450	EU6 SIDE PLANK 9300mm	0.22
PSV/62/117	NEARSIDE SIDE PLANK - LIGHTWEIGHT	1.00
PSV/62/450	EU6 SIDE PLANK 9300mm	0.46



W01-00731

NBFL NEARSIDE SIDEFAME - BASIC ASSEMBLY



Stock Number	Description	Quantity
PSV/62/121	80x40 Pillar	4.00
PSV/11/156	ALUM BOX 80 x 40 (7.7M)	0.12
PSV/62/124	VERTICAL BODY PILLAR SECTION	1.00
PSV/11/156	ALUM BOX 80 x 40 (7.7M)	0.10
PSV/62/137	SEATRAIL ATTACHMENT ANGLE	1.00
PSV/62/306	ALUM ANGLE 38x38x3mm (5M)	0.21
PSV/62/138	HANDPOLE SIDEFAME GROUND	1.00
PSV/62/308	ALUM ANGLE 76x38x6mm (5M)	0.02
PSV/62/153	COVE SIDE ATTACHMENT EXTRUSION	1.00
PSV/62/449	COVE SIDE ATTACHMENT EXTRUSION	0.48
PSV/62/154	COVE SIDE ATTACHMENT EXTRUSION	1.00
PSV/62/449	COVE SIDE ATTACHMENT EXTRUSION	0.22
PSV/11/207	169mm PILLAR PACKER	10.00
PSV/12/979	4 BOLT CORNER ASSEMBLY (STANDARD)	12.00
PSV/54/064	M8X15 TORX BUTTON SCREW PATCHED	4.00
PSV/54/063	ALUM ACCESSORY TOGGLE M8	4.00
PSV/38/238	4 BOLT CORNER	1.00
PSV/12/980	4 BOLT CORNER ASSY (BONDED WINDOW TYPE)	23.00
PSV/38/239	ALUM ACCSY BONDED WINDOW BRACKET	1.00
PSV/54/063	ALUM ACCESSORY TOGGLE M8	4.00
PSV/43/348	M8x20 TORX BUTTON SCREW PATCHED	4.00
PSV/38/268	4 BOLT HEAVY DUTY CORNER ASSEMBLY	5.00
PSV/38/241	ALUM ACCSY 6 BOLT HEAVY DUTY CORNER	1.00
PSV/11/197	M10x20 DURLOCK BOLT PATCHED	4.00
PSV/49/954	PILLAR PACKER TOGGLE - M10	4.00
PSV/62/454	DOUBLE CORNER BRACKET ASSEMBLY	1.00
PSV/62/798	DOUBLE DECK UPPER CLADDING KIT N/S NBFL	1.00
PSV/62/823	NBFL UPPER SIDE CLADDING	1.00
PSV/62/824	NBFL UPPER SIDE CLADDING	1.00
PSV/62/825	NBFL UPPER SIDE CLADDING	1.00
PSV/62/800	Nearside DD stress panel	1.00
PSV/62/801	Nearside DD stress panel	1.00
PSV/62/802	Nearside DD stress panel	1.00
PSV/62/808	STRESS PANEL	1.00
PSV/62/837	SIDEFAME ATTACHEMENT BRACKET	4.00
PSV/63/978	BRANCH DEFLECTOR BRACKET	1.00
PSV/63/991	NEARSIDE FRONT SEALING PANEL ASM	1.00
PSV/63/980	NEARSIDE FRONT SEALING PANEL	1.00
PSV/63/990	SEALING PANEL PART	1.00
PSV/64/027	NEARSIDE FRONT SEALING PANEL PLATE	1.00
PSV/63/993	NEARSIDE REAR SEALING PANEL ASM	1.00
PSV/63/981	NEARSIDE REAR SEALING PANEL	1.00
PSV/63/982	NEARSIDE REAR SEALING PANEL PACKER	1.00
PSV/63/983	REAR SEALING PANEL PACKER	1.00
PSV/63/984	NEARSIDE REAR SEALING PANEL PACKER	1.00
PSV/63/985	REAR SEALING PANEL PACKER	1.00
PSV/63/994	SEALING PANEL PART	1.00
PSV/11/363	SIDEFAME ANGLE BRACKET	1.00



W01-00731

NBFL NEARSIDE SIDEFAME - BASIC ASSEMBLY



Stock Number	Description	Quantity
PSV/63/998	NEARSIDE STRESS PANEL	1.00
PSV/64/022	SIDEFAME ATTACHMENT TUB ASSEMBLY	1.00
PSV/11/418	M10x25 VERBUS RIBBED BOLT ZINC & NICKEL	6.00
PSV/49/954	PILLAR PACKER TOGGLE - M10	6.00
PSV/63/999	SIDEFAME ATTACHMENT TUB	1.00
PSV/64/020	SIDEFAME ATTACHMENT TUB PACKER	2.00
PSV/64/021	SIDEFAME ATTACHMENT TUB PACKER	1.00
PSV/64/023	GRP SUPPORT BRACKET - UPPER	1.00
PSV/60/416	BRANCH DEFLECTOR GROUND	1.00
PSV/63/979	Branch deflector tapping plate	1.00
PSV/49/995	BRANCH DEFLECTOR GROUND	1.00
PSV/64/025	BATTERY RADIATOR SUPPORT ANGLE ASM	1.00
PSV/64/024	BATTERY RADIATOR SUPPORT ANGLE PLATE	1.00
PSV/64/026	BATTERY RADIATOR SUPPORT ANGLE	1.00
PSV/64/028	SIDEFAME ERECTION BRACKET	1.00
PSV/64/033	NEARSIDE SEALING PANEL	1.00
PSV/64/128	NBFL INTERFLOOR ENDPLATE L/H	7.00
PSV/64/153	NBFL INTERFLOOR ENDPLATE ASSEMBLY	1.00
PSV/64/151	NBFL INTERFLOOR ENDPLATE BRACKET	1.00
PSV/64/152	NBFL INTERFLOOR ENDPLATE PLATE	1.00
PSV/64/234	MID DOOR INTERFLOOR BRACKET	1.00
PSV/64/243	ENTRANCE DOOR INTERFLOOR BRACKET	1.00
PSV/64/583	NBFL NEARSIDE SIDEFAME PILLAR KIT	1.00
PSV/64/664	BODY PILLAR ASSEMBLY	1.00
PSV/27/929	VERTICAL BODY PILLAR SECTION	1.00
PSV/62/034	ALUM EXTR 80x40 OPEN FACE 6.6M	0.44
PSV/11/207	169mm PILLAR PACKER	1.00
PSV/12/979	4 BOLT CORNER ASSEMBLY (STANDARD)	2.00
PSV/54/064	M8X15 TORX BUTTON SCREW PATCHED	4.00
PSV/54/063	ALUM ACCESSORY TOGGLE M8	4.00
PSV/38/238	4 BOLT CORNER	1.00
PSV/12/980	4 BOLT CORNER ASSY (BONDED WINDOW TYPE)	1.00
PSV/38/239	ALUM ACCSY BONDED WINDOW BRACKET	1.00
PSV/54/063	ALUM ACCESSORY TOGGLE M8	4.00
PSV/43/348	M8x20 TORX BUTTON SCREW PATCHED	4.00
PSV/38/268	4 BOLT HEAVY DUTY CORNER ASSEMBLY	1.00
PSV/38/241	ALUM ACCSY 6 BOLT HEAVY DUTY CORNER	1.00
PSV/11/197	M10x20 DURLOCK BOLT PATCHED	4.00
PSV/49/954	PILLAR PACKER TOGGLE - M10	4.00
PSV/62/960	M10X20 HIGH TENSILE BOLT	7.00
PSV/63/052	5/16IN.FLAT STEEL WASHER	7.00
PSV/49/954	PILLAR PACKER TOGGLE - M10	7.00
PSV/62/056	400MM X AUE-00089 PILLAR PACKER	1.00
PSV/64/130	GOAL POST ATTACHMENT BRACKET	1.00
PSV/64/665	DOUBLE DECK - BODY PILLAR ASSEMBLY	1.00
PSV/62/128	BODY PILLAR	1.00
PSV/11/156	ALUM BOX 80 x 40 (7.7M)	0.28
PSV/11/207	169mm PILLAR PACKER	2.00



W01-00731

NBFL NEARSIDE SIDEFAME - BASIC ASSEMBLY



Stock Number	Description	Quantity
PSV/12/979	4 BOLT CORNER ASSEMBLY (STANDARD)	4.00
PSV/54/064	M8X15 TORX BUTTON SCREW PATCHED	4.00
PSV/54/063	ALUM ACCESSORY TOGGLE M8	4.00
PSV/38/238	4 BOLT CORNER	1.00
PSV/62/960	M10X20 HIGH TENSILE BOLT	7.00
PSV/63/052	5/16IN.FLAT STEEL WASHER	7.00
PSV/49/954	PILLAR PACKER TOGGLE - M10	7.00
PSV/63/970	PILLAR GLASS FOLDED ANGLE ASSEMBLY	2.00
PSV/62/973	M10x25 CSK SKT SCREW. 10.9 GRADE, PATCH	4.00
PSV/49/954	PILLAR PACKER TOGGLE - M10	4.00
PSV/63/969	PILLAR GLASS FOLDED ANGLE	1.00
PSV/64/131	GOALPOST ATTACHMENT BRACKET	1.00
PSV/64/666	DOUBLE DECK PILLAR ASSEMBLY	1.00
PSV/62/130	80x40 open face pillar	1.00
PSV/62/034	ALUM EXTR 80x40 OPEN FACE 6.6M	0.55
PSV/11/207	169mm PILLAR PACKER	1.00
PSV/62/234	HANDPOLE PARTITION PILLAR PACKER	2.00
PSV/12/979	4 BOLT CORNER ASSEMBLY (STANDARD)	2.00
PSV/54/064	M8X15 TORX BUTTON SCREW PATCHED	4.00
PSV/54/063	ALUM ACCESSORY TOGGLE M8	4.00
PSV/38/238	4 BOLT CORNER	1.00
PSV/12/980	4 BOLT CORNER ASSY (BONDED WINDOW TYPE)	2.00
PSV/38/239	ALUM ACCSY BONDED WINDOW BRACKET	1.00
PSV/54/063	ALUM ACCESSORY TOGGLE M8	4.00
PSV/43/348	M8x20 TORX BUTTON SCREW PATCHED	4.00
PSV/38/268	4 BOLT HEAVY DUTY CORNER ASSEMBLY	2.00
PSV/38/241	ALUM ACCSY 6 BOLT HEAVY DUTY CORNER	1.00
PSV/11/197	M10x20 DURLOCK BOLT PATCHED	4.00
PSV/49/954	PILLAR PACKER TOGGLE - M10	4.00
PSV/63/970	PILLAR GLASS FOLDED ANGLE ASSEMBLY	1.00
PSV/62/973	M10x25 CSK SKT SCREW. 10.9 GRADE, PATCH	4.00
PSV/49/954	PILLAR PACKER TOGGLE - M10	4.00
PSV/63/969	PILLAR GLASS FOLDED ANGLE	1.00
PSV/64/667	DOUBLE DECK - BODY PILLAR ASSEMBLY	1.00
PSV/62/126	80x40mm Pillar	1.00
PSV/11/156	ALUM BOX 80 x 40 (7.7M)	0.37
PSV/11/207	169mm PILLAR PACKER	2.00
PSV/12/979	4 BOLT CORNER ASSEMBLY (STANDARD)	6.00
PSV/54/064	M8X15 TORX BUTTON SCREW PATCHED	4.00
PSV/54/063	ALUM ACCESSORY TOGGLE M8	4.00
PSV/38/238	4 BOLT CORNER	1.00
PSV/12/980	4 BOLT CORNER ASSY (BONDED WINDOW TYPE)	2.00
PSV/38/239	ALUM ACCSY BONDED WINDOW BRACKET	1.00
PSV/54/063	ALUM ACCESSORY TOGGLE M8	4.00
PSV/43/348	M8x20 TORX BUTTON SCREW PATCHED	4.00
PSV/63/970	PILLAR GLASS FOLDED ANGLE ASSEMBLY	2.00
PSV/62/973	M10x25 CSK SKT SCREW. 10.9 GRADE, PATCH	4.00



W01-00731

NBFL NEARSIDE SIDEFAME - BASIC ASSEMBLY



Stock Number	Description	Quantity
PSV/49/954	PILLAR PACKER TOGGLE - M10	4.00
PSV/63/969	PILLAR GLASS FOLDED ANGLE	1.00
PSV/64/668	DOUBLE DECK - BODY PILLAR ASSEMBLY	1.00
PSV/62/120	120x40 Pillar	1.00
PSV/38/247	ALUM BOX 120x40 (6.5M)	0.53
PSV/11/207	169mm PILLAR PACKER	1.00
PSV/12/979	4 BOLT CORNER ASSEMBLY (STANDARD)	1.00
PSV/54/064	M8X15 TORX BUTTON SCREW PATCHED	4.00
PSV/54/063	ALUM ACCESSORY TOGGLE M8	4.00
PSV/38/238	4 BOLT CORNER	1.00
PSV/12/980	4 BOLT CORNER ASSY (BONDED WINDOW TYPE)	1.00
PSV/38/239	ALUM ACCSY BONDED WINDOW BRACKET	1.00
PSV/54/063	ALUM ACCESSORY TOGGLE M8	4.00
PSV/43/348	M8x20 TORX BUTTON SCREW PATCHED	4.00
PSV/38/268	4 BOLT HEAVY DUTY CORNER ASSEMBLY	1.00
PSV/38/241	ALUM ACCSY 6 BOLT HEAVY DUTY CORNER	1.00
PSV/11/197	M10x20 DURLOCK BOLT PATCHED	4.00
PSV/49/954	PILLAR PACKER TOGGLE - M10	4.00
PSV/62/960	M10X20 HIGH TENSILE BOLT	7.00
PSV/63/052	5/16IN.FLAT STEEL WASHER	7.00
PSV/49/954	PILLAR PACKER TOGGLE - M10	7.00
PSV/63/970	PILLAR GLASS FOLDED ANGLE ASSEMBLY	1.00
PSV/62/973	M10x25 CSK SKT SCREW. 10.9 GRADE, PATCH	4.00
PSV/49/954	PILLAR PACKER TOGGLE - M10	4.00
PSV/63/969	PILLAR GLASS FOLDED ANGLE	1.00
PSV/64/131	GOALPOST ATTACHMENT BRACKET	1.00
PSV/64/672	DOUBLE DECK BODY PILLAR ASSEMBLY	1.00
PSV/62/123	VERTICAL BODY PILLAR SECTION	1.00
PSV/11/156	ALUM BOX 80 x 40 (7.7M)	0.19
PSV/12/979	4 BOLT CORNER ASSEMBLY (STANDARD)	4.00
PSV/54/064	M8X15 TORX BUTTON SCREW PATCHED	4.00
PSV/54/063	ALUM ACCESSORY TOGGLE M8	4.00
PSV/38/238	4 BOLT CORNER	1.00
PSV/12/980	4 BOLT CORNER ASSY (BONDED WINDOW TYPE)	1.00
PSV/38/239	ALUM ACCSY BONDED WINDOW BRACKET	1.00
PSV/54/063	ALUM ACCESSORY TOGGLE M8	4.00
PSV/43/348	M8x20 TORX BUTTON SCREW PATCHED	4.00
PSV/64/674	D/DECK BODY PILLAR ASSEMBLY	1.00
PSV/62/092	100 x 40mm Stub pillar rail	1.00
PSV/38/249	MILL.EXT.BOX 100x40 5.65M	0.15
PSV/62/125	80x40mm Stub pillar (Open face)	1.00
PSV/62/034	ALUM EXTR 80x40 OPEN FACE 6.6M	0.10
PSV/60/634	6-BOLT CORNER ASSEMBLY.	2.00
PSV/17/474	97mm PILLAR PACKER - UNEVEN HOLES	1.00
PSV/38/241	ALUM ACCSY 6 BOLT HEAVY DUTY CORNER	1.00
PSV/11/197	M10x20 VERBUS RIBBED BOLT - PRECOTE 80	5.00
PSV/49/954	PILLAR PACKER TOGGLE - M10	2.00



W01-00731

NBFL NEARSIDE SIDEFAME - BASIC ASSEMBLY



Stock Number	Description	Quantity
PSV/62/452	MILLEN STUB PILLAR ATTACHMENT PLATE ASSY	1.00
PSV/36/103	100MM PILLAR PACKER	1.00
PSV/62/960	M10X20 HIGH TENSILE BOLT	8.00
PSV/49/954	PILLAR PACKER TOGGLE - M10	5.00
PSV/64/070	STUB PILLAR FACE PLATE	1.00
PSV/64/675	DOUBLE DECK - BODY PILLAR ASSEMBLY	1.00
PSV/62/131	120x40mm open face Door pillar	1.00
PSV/62/444	MILL.EXT.BOX 120x40 5.1M	0.58
PSV/11/207	169mm PILLAR PACKER	1.00
PSV/36/119	B9TL EURO4 O/S B-PILLAR HANDPOLE GROUND	1.00
PSV/11/606	ASSEMBLY BARS	1.00
PSV/62/235	REAR PLATFORM PILLAR PACKER	1.00
PSV/12/979	4 BOLT CORNER ASSEMBLY (STANDARD)	1.00
PSV/54/064	M8X15 TORX BUTTON SCREW PATCHED	4.00
PSV/54/063	ALUM ACCESSORY TOGGLE M8	4.00
PSV/38/238	4 BOLT CORNER	1.00
PSV/62/962	M10 x 16 CAD. PLATED ENG. BOLT	1.00
PSV/62/056	400MM X AUE-00089 PILLAR PACKER	1.00
PSV/63/970	PILLAR GLASS FOLDED ANGLE ASSEMBLY	1.00
PSV/62/973	M10x25 CSK SKT SCREW. 10.9 GRADE, PATCH	4.00
PSV/49/954	PILLAR PACKER TOGGLE - M10	4.00
PSV/63/969	PILLAR GLASS FOLDED ANGLE	1.00
PSV/64/676	DOUBLE DECK - BODY PILLAR ASSEMBLY	1.00
PSV/62/129	BODY PILLAR	1.00
PSV/11/156	ALUM BOX 80 x 40 (7.7M)	0.19
PSV/12/979	4 BOLT CORNER ASSEMBLY (STANDARD)	2.00
PSV/54/064	M8X15 TORX BUTTON SCREW PATCHED	4.00
PSV/54/063	ALUM ACCESSORY TOGGLE M8	4.00
PSV/38/238	4 BOLT CORNER	1.00
PSV/12/980	4 BOLT CORNER ASSY (BONDED WINDOW TYPE)	2.00
PSV/38/239	ALUM ACCSY BONDED WINDOW BRACKET	1.00
PSV/54/063	ALUM ACCESSORY TOGGLE M8	4.00
PSV/43/348	M8x20 TORX BUTTON SCREW PATCHED	4.00
PSV/64/682	DOUBLE DECK - BODY PILLAR ASSEMBLY	1.00
PSV/62/130	80x40 open face pillar	1.00
PSV/62/034	ALUM EXTR 80x40 OPEN FACE 6.6M	0.55
PSV/62/234	HANDPOLE PARTITION PILLAR PACKER	2.00
PSV/12/979	4 BOLT CORNER ASSEMBLY (STANDARD)	3.00
PSV/54/064	M8X15 TORX BUTTON SCREW PATCHED	4.00
PSV/54/063	ALUM ACCESSORY TOGGLE M8	4.00
PSV/38/238	4 BOLT CORNER	1.00
PSV/12/980	4 BOLT CORNER ASSY (BONDED WINDOW TYPE)	3.00
PSV/38/239	ALUM ACCSY BONDED WINDOW BRACKET	1.00
PSV/54/063	ALUM ACCESSORY TOGGLE M8	4.00
PSV/43/348	M8x20 TORX BUTTON SCREW PATCHED	4.00
PSV/38/268	4 BOLT HEAVY DUTY CORNER ASSEMBLY	1.00
PSV/38/241	ALUM ACCSY 6 BOLT HEAVY DUTY CORNER	1.00



W01-00731

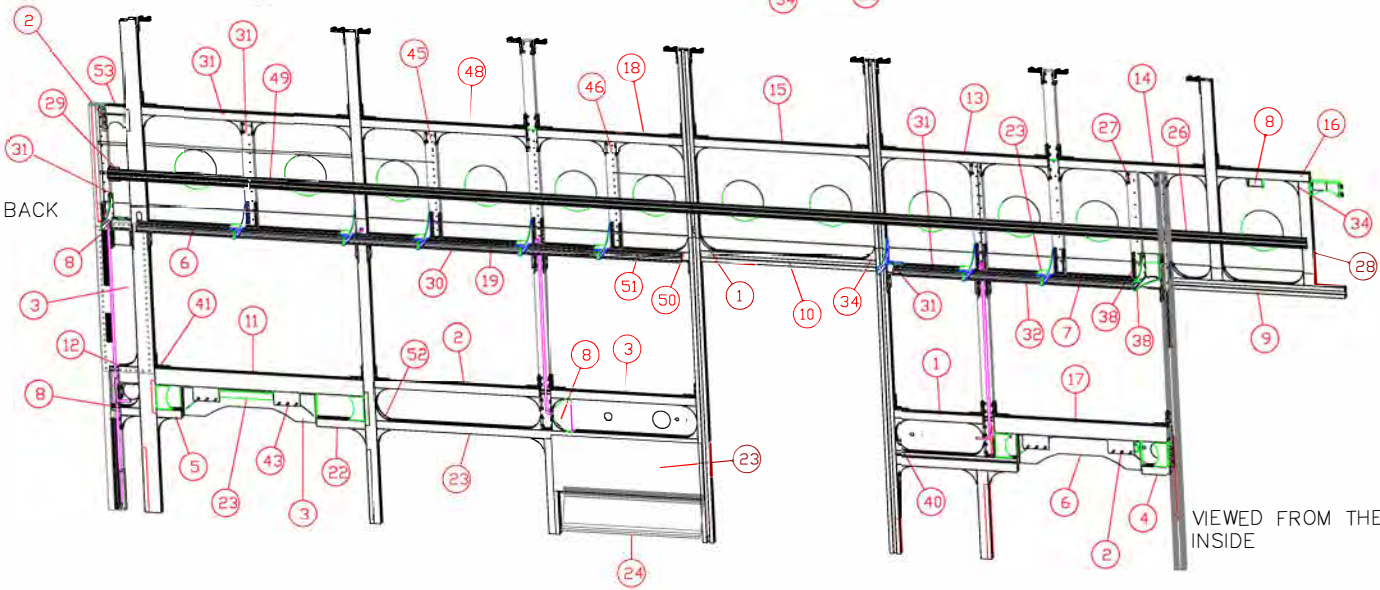
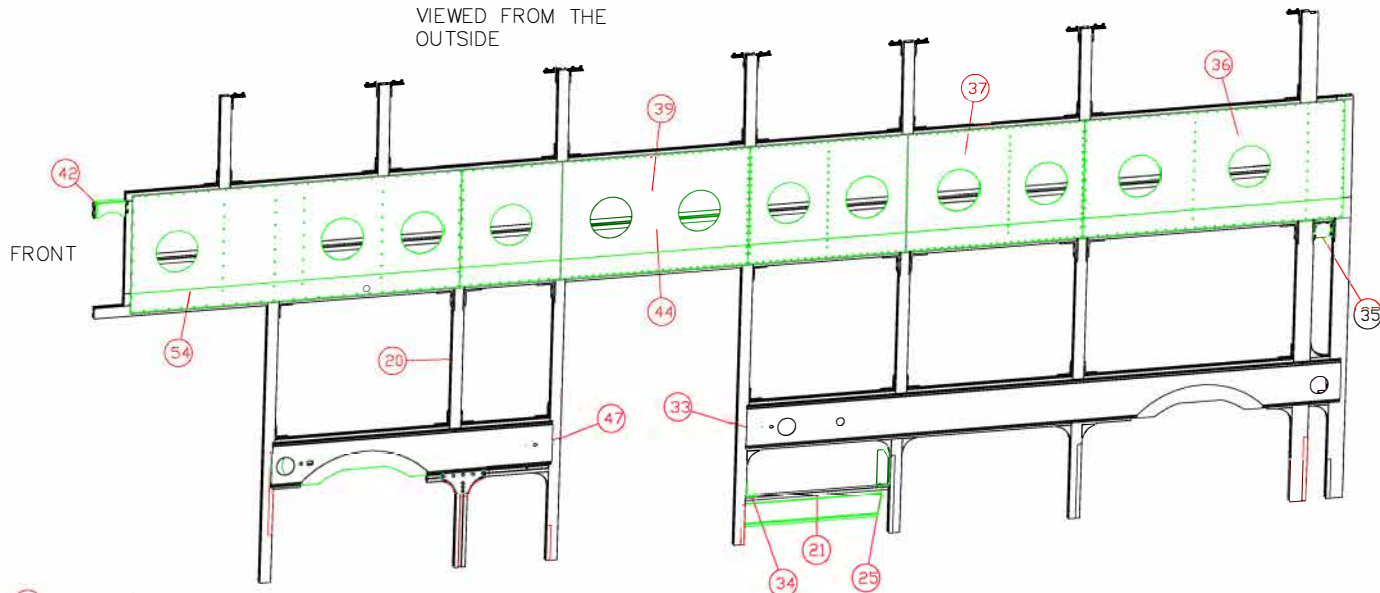
NBFL NEARSIDE SIDEFAME - BASIC ASSEMBLY



Stock Number	Description	Quantity
PSV/11/197	M10x20 DURLOCK BOLT PATCHED	4.00
PSV/49/954	PILLAR PACKER TOGGLE - M10	4.00
PSV/64/683	DOUBLE DECK - BODY PILLAR ASSEMBLY	1.00
PSV/62/133	VERTICAL BODY PILLAR SECTION	1.00
PSV/11/156	ALUM BOX 80 x 40 (7.7M)	0.47
PSV/11/207	169mm PILLAR PACKER	2.00
PSV/12/979	4 BOLT CORNER ASSEMBLY (STANDARD)	1.00
PSV/54/064	M8X15 TORX BUTTON SCREW PATCHED	4.00
PSV/54/063	ALUM ACCESSORY TOGGLE M8	4.00
PSV/38/238	4 BOLT CORNER	1.00
PSV/12/980	4 BOLT CORNER ASSY (BONDED WINDOW TYPE)	2.00
PSV/38/239	ALUM ACCSY BONDED WINDOW BRACKET	1.00
PSV/54/063	ALUM ACCESSORY TOGGLE M8	4.00
PSV/43/348	M8x20 TORX BUTTON SCREW PATCHED	4.00
PSV/38/268	4 BOLT HEAVY DUTY CORNER ASSEMBLY	4.00
PSV/38/241	ALUM ACCSY 6 BOLT HEAVY DUTY CORNER	1.00
PSV/11/197	M10x20 DURLOCK BOLT PATCHED	4.00
PSV/49/954	PILLAR PACKER TOGGLE - M10	4.00
PSV/62/960	M10X20 HIGH TENSILE BOLT	7.00
PSV/63/052	5/16IN.FLAT STEEL WASHER	7.00
PSV/49/954	PILLAR PACKER TOGGLE - M10	7.00
PSV/63/970	PILLAR GLASS FOLDED ANGLE ASSEMBLY	2.00
PSV/62/973	M10x25 CSK SKT SCREW. 10.9 GRADE, PATCH	4.00
PSV/49/954	PILLAR PACKER TOGGLE - M10	4.00
PSV/63/969	PILLAR GLASS FOLDED ANGLE	1.00
PSV/64/130	GOAL POST ATTACHMENT BRACKET	1.00
PSV/64/684	DOUBLE DECK - BODY PILLAR ASSEMBLY	1.00
PSV/27/950	VERTICAL BODY PILLAR SECTION	1.00
PSV/11/156	ALUM BOX 80 x 40 (7.7M)	0.09
PSV/12/979	4 BOLT CORNER ASSEMBLY (STANDARD)	2.00
PSV/54/064	M8X15 TORX BUTTON SCREW PATCHED	4.00
PSV/54/063	ALUM ACCESSORY TOGGLE M8	4.00
PSV/38/238	4 BOLT CORNER	1.00



VIEWED FROM THE
OUTSIDE



VIEWED FROM THE
INSIDE

PSV Ref	Description	Qty
PSV/62/074	60x40mm Alloy horizontal stringer	2
PSV/62/076	60x40mm Horizontal window stringer	3
PSV/62/078	60x40mm Horizontal window stringer	3
PSV/62/081	60x40mm Horizontal window stringer	1
PSV/62/082	60x40mm Horizontal window stringer	1
PSV/62/083	60x40mm Horizontal window stringer	2
PSV/62/088	60x40mm Horizontal window stringer	1
PSV/62/089	60x40mm Horizontal window stringer	3
PSV/62/090	80x40mm Door head stringer	1
PSV/62/091	80x40mm Door head stringer	1
PSV/62/094	120x40mm Alloy window stringer	1
PSV/62/095	120x40mm Alloy window stringer	1
PSV/62/098	60x40mm Horizontal window stringer	1
PSV/62/099	60x40mm Horizontal window stringer	1
PSV/62/100	60x40mm Horizontal window pillar	1
PSV/62/101	60x40mm Horizontal window stringer	1
PSV/62/103	120x40mm Alloy window stringer	1
PSV/62/108	60x40 HORIZONTAL STRINGER	1
PSV/62/109	60x40 HORIZONTAL STRINGER	1
PSV/62/111	NBFL Nearside seatrail	1
PSV/62/114	UPPER DECK NEARSIDE SEATRAIL	1
PSV/62/115	UPPER DECK NEARSIDE SEATRAIL	1
PSV/62/116	NEARSIDE SIDE PLANK - LIGHTWEIGHT	1
PSV/62/117	NEARSIDE SIDE PLANK - LIGHTWEIGHT	1
PSV/62/121	VERTICAL BODY PILLAR SECTION	4
PSV/62/124	VERTICAL BODY PILLAR SECTION	1
PSV/62/137	SEATRAIL SUPPORT ANGLE	1
PSV/62/138	HANDPOLE SIDEFAME GROUND	1
PSV/62/153	NBFL COVE ATTACHMENT	1
PSV/62/154	NBFL COVE ATTACHMENT	1
PSV/11/207	PILLAR PACKER	10
PSV/12/979	4 BOLT CORNER ASSY	12
PSV/12/980	FORGED CORNER BRACKET	23
PSV/38/268	4 BOLT HEAVY DUTY CORNER ASSY	5
PSV/62/454	DOUBLE CORNER BRACKET	1
PSV/62/798	DD UPPER CLADDING KIT NBFL	1
PSV/62/800	Nearside stress panel - NBFL	1
PSV/62/801	Nearside stress panel - NBFL	1
PSV/62/802	Nearside stress panel - NBFL	1
PSV/62/808	Nearside stress panel	1
PSV/62/837	ERECTION BRACKET ASSEMBLY	4
PSV/63/978	Branch deflector bracket	1
PSV/63/991	NEARSIDE FRONT SEALING PANEL ASM	1
PSV/63/993	NEARSIDE REAR SEALING PANEL ASM	1
PSV/11/363	SIDEFAME ANGLE BRACKET	1
PSV/63/998	Nearside stress panel	1
PSV/64/022	SIDEFAME ATTACHMENT TUB ASSEMBLY	1
PSV/64/023	GRP SUPPORT BRACKET UPPER	1
PSV/60/416	Branch deflector ground	1
PSV/64/025	BATTERY RADIATOR SUPPORT ANGLE ASM	1
PSV/64/028	SIDEFAME ERECTION BRACKET	1
PSV/64/033	NEARSIDE SEALING PANEL	1
PSV/64/128	NBFL INTERFLOOR ENDPLATE L/H	7
PSV/64/153	NBFL INTERFLOOR ENDPLATE ASSEMBLY	1
PSV/64/234	NBFL INTERFLOOR ENDPLATE L/H	1
PSV/64/243	ENTRANCE DOOR INTERFLOOR BRACKET	1
PSV/64/583	NBFL NEARSIDE SIDEFAME PILLAR KIT	1

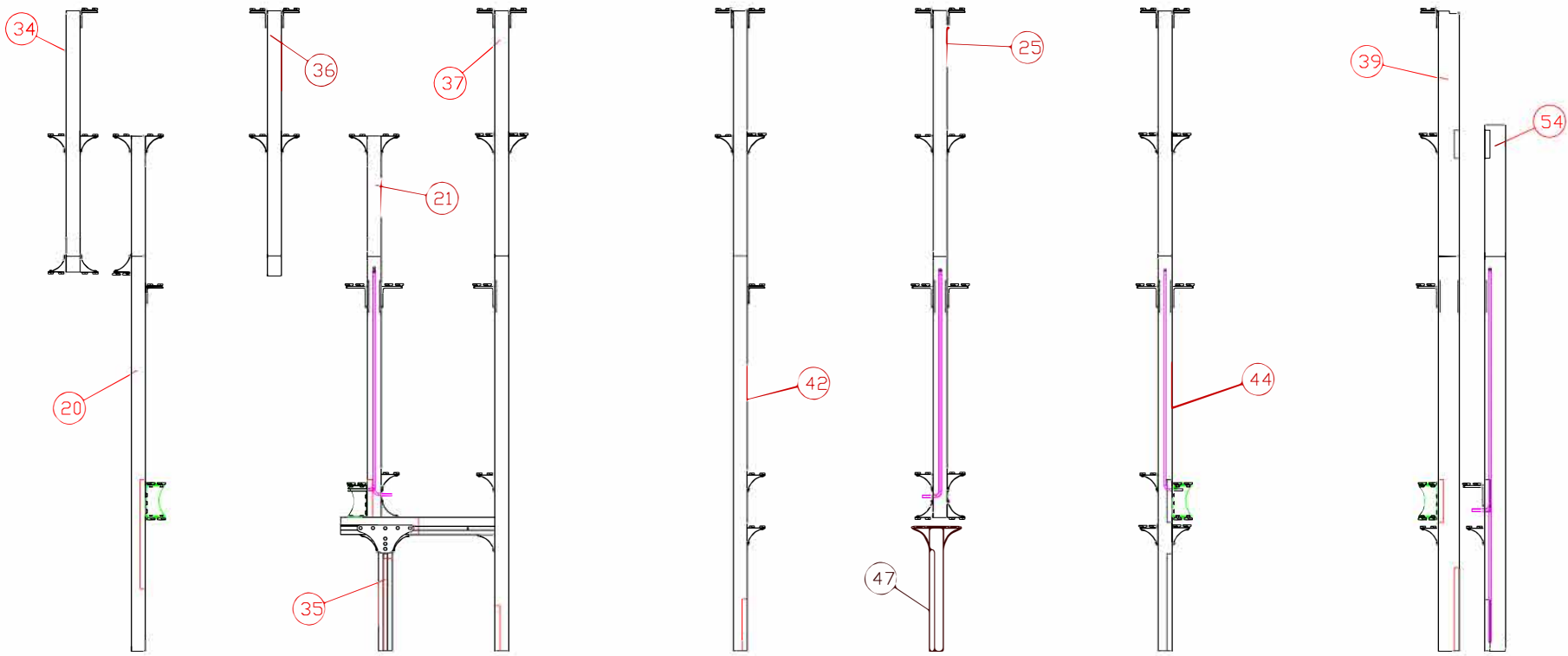
N/S FRAME - BASIC ASSEMBLY

W01-00731

N/S FRAME - BASIC ASSEMBLY - PILLAR KIT

W01-00731 - PAK-00323

Index	Part Number	Compnt Type	Description	Qty
1	PSV64664	ASSEMBLY	BODY PILLAR ASSEMBLY	1
2	PSV64665	ASSEMBLY	BODY PILLAR ASSEMBLY	1
3	PSV64666	ASSEMBLY	BODY PILLAR ASSEMBLY	1
4	PSV64667	ASSEMBLY	BODY PILLAR ASSEMBLY	1
5	PSV64668	ASSEMBLY	BODY PILLAR ASSEMBLY	1
6	PSV64672	ASSEMBLY	BODY PILLAR ASSEMBLY	1
7	PSV64674	ASSEMBLY	BODY PILLAR ASSEMBLY	1
8	PSV64675	ASSEMBLY	BODY PILLAR ASSEMBLY	1
9	PSV64676	ASSEMBLY	BODY PILLAR ASSEMBLY	1
10	PSV64682	ASSEMBLY	DOUBLE DECK - BODY PILLAR ASSEMBLY	1
11	PSV64683	ASSEMBLY	DOUBLE DECK - BODY PILLAR ASSEMBLY	1
12	PSV64684	ASSEMBLY	DOUBLE DECK - BODY PILLAR ASSEMBLY	1





W01-00734

NBFL OFFSIDE SIDEFAME - BASIC ASSEMBLY



Stock Number	Description	Quantity
PSV/62/072	NBFL O/S A-PILLAR PACKER	1.00
PSV/62/033	SEATRAIL SECTION 40x20 (5.5M)	0.03
PSV/62/073	60x40mm Diagonal stringer	2.00
PSV/11/151	ALUM 60X40 ECO SECT 6.8M LENGTH	0.17
PSV/62/075	60x40 Stringer	1.00
PSV/11/151	ALUM 60X40 ECO SECT 6.8M LENGTH	0.18
PSV/62/076	60x40 Stringer	5.00
PSV/11/151	ALUM 60X40 ECO SECT 6.8M LENGTH	0.18
PSV/62/077	60x40 Stringer	5.00
PSV/11/151	ALUM 60X40 ECO SECT 6.8M LENGTH	0.19
PSV/62/078	60x40 Stringer	5.00
PSV/11/151	ALUM 60X40 ECO SECT 6.8M LENGTH	0.15
PSV/62/079	60x40 DIAGONAL STRUT	1.00
PSV/11/151	ALUM 60X40 ECO SECT 6.8M LENGTH	0.21
PSV/62/080	60x40 Stringer	1.00
PSV/11/151	ALUM 60X40 ECO SECT 6.8M LENGTH	0.14
PSV/62/082	60x40mm Stringer	1.00
PSV/11/151	ALUM 60X40 ECO SECT 6.8M LENGTH	0.04
PSV/62/083	60x40mm Stringer	3.00
PSV/11/151	ALUM 60X40 ECO SECT 6.8M LENGTH	0.22
PSV/62/084	60x40mm Stringer	2.00
PSV/11/151	ALUM 60X40 ECO SECT 6.8M LENGTH	0.29
PSV/62/085	60x40mm Stringer	1.00
PSV/11/151	ALUM 60X40 ECO SECT 6.8M LENGTH	0.04
PSV/62/086	60x40mm Stringer	1.00
PSV/11/151	ALUM 60X40 ECO SECT 6.8M LENGTH	0.13
PSV/62/087	60x40mm Stringer	1.00
PSV/11/151	ALUM 60X40 ECO SECT 6.8M LENGTH	0.34
PSV/62/094	120x40mm Stringer	1.00
PSV/38/247	ALUM BOX 120x40 (6.5M)	0.23
PSV/62/096	60x40 DIAGONAL STRINGER	1.00
PSV/11/151	ALUM 60X40 ECO SECT 6.8M LENGTH	0.12
PSV/62/097	60x40 Diagonal stringer	1.00
PSV/11/151	ALUM 60X40 ECO SECT 6.8M LENGTH	0.07
PSV/62/101	60x40 window rail stringer	1.00
PSV/11/151	ALUM 60X40 ECO SECT 6.8M LENGTH	0.09
PSV/62/102	210mm 60x40 stringer	1.00
PSV/11/151	ALUM 60X40 ECO SECT 6.8M LENGTH	0.03
PSV/62/104	GRP SUPPORT RAIL	1.00
PSV/11/151	ALUM 60X40 ECO SECT 6.8M LENGTH	0.09
PSV/62/105	60x40 HORIZONTAL STRINGER	1.00
PSV/11/151	ALUM 60X40 ECO SECT 6.8M LENGTH	0.03
PSV/62/106	60x40 HORIZONTAL STRINGER	1.00
PSV/11/151	ALUM 60X40 ECO SECT 6.8M LENGTH	0.07
PSV/62/107	60x40 HORIZONTAL STRINGER	1.00
PSV/11/151	ALUM 60X40 ECO SECT 6.8M LENGTH	0.05
PSV/62/110	DIAGONAL STRINGER	1.00
PSV/11/151	ALUM 60X40 ECO SECT 6.8M LENGTH	0.14



W01-00734

NBFL OFFSIDE SIDEFAME - BASIC ASSEMBLY



Stock Number	Description	Quantity
PSV/27/942	OFFSIDE FLOOR SEAT RAIL	1.00
PSV/38/248	MILL.ALUM.S'RAIL FLAT 6.0M	0.39
PSV/62/112	UPPER DECK OFFSIDE SEATRAIL	1.00
PSV/62/445	DD U/D ALU SEATRAIL 6M LENGTH	0.80
PSV/62/113	UPPER DECK OFFSIDE SEATRAIL	1.00
PSV/62/445	DD U/D ALU SEATRAIL 6M LENGTH	0.03
PSV/62/118	OFFSIDE SIDE PLANK - LIGHTWEIGHT	1.00
PSV/62/450	EU6 SIDE PLANK 9300mm	0.95
PSV/62/119	OFFSIDE SIDE PLANK - ADD ON LIGHTWEIGHT	1.00
PSV/62/450	EU6 SIDE PLANK 9300mm	0.00
PSV/62/121	80x40 Pillar	5.00
PSV/11/156	ALUM BOX 80 x 40 (7.7M)	0.12
PSV/62/134	VERTICAL SUPPORT SECTION	1.00
PSV/62/033	SEATRAIL SECTION 40x20 (5.5M)	0.04
PSV/27/954	SEATRAIL SUPPORT ANGLE	1.00
PSV/62/306	ALUM ANGLE 38x38x3mm (5M)	0.27
PSV/62/135	SEATRAIL SUPPORT ANGLE	1.00
PSV/62/306	ALUM ANGLE 38x38x3mm (5M)	0.21
PSV/62/136	LOOM ATTACHMENT ANGLE	1.00
PSV/62/306	ALUM ANGLE 38x38x3mm (5M)	0.97
PSV/62/138	HANDPOLE SIDEFAME GROUND	2.00
PSV/62/308	ALUM ANGLE 76x38x6mm (5M)	0.02
PSV/11/207	169mm PILLAR PACKER	10.00
PSV/12/979	4 BOLT CORNER ASSEMBLY (STANDARD)	23.00
PSV/54/064	M8X15 TORX BUTTON SCREW PATCHED	4.00
PSV/54/063	ALUM ACCESSORY TOGGLE M8	4.00
PSV/38/238	4 BOLT CORNER	1.00
PSV/12/980	4 BOLT CORNER ASSY (BONDED WINDOW TYPE)	20.00
PSV/38/239	ALUM ACCSY BONDED WINDOW BRACKET	1.00
PSV/54/063	ALUM ACCESSORY TOGGLE M8	4.00
PSV/43/348	M8x20 TORX BUTTON SCREW PATCHED	4.00
PSV/13/360	2 BOLT CORNER ASSEMBLY (STANDARD)	2.00
PSV/38/237	2 BOLT CORNER	1.00
PSV/54/064	M8X15 TORX BUTTON SCREW PATCHED	2.00
PSV/54/063	ALUM ACCESSORY TOGGLE M8	2.00
PSV/12/958	2 BOLT CORNER ASSEMBLY (WRIGHT)	2.00
PSV/37/885	ALUM 2 BOLT CORNER CASTING WRIGHTS	1.00
PSV/54/063	ALUM ACCESSORY TOGGLE M8	2.00
PSV/43/348	M8x20 TORX BUTTON SCREW PATCHED	2.00
PSV/38/266	SINGLE SEATRAIL BRACKET	1.00
PSV/63/967	SEATRAIL ATTACHMENT BRACKET	1.00
PSV/62/443	ALUM ACCESSY BOLT M8 X 15	1.00
PSV/54/063	ALUM ACCESSORY TOGGLE M8	1.00
PSV/38/268	4 BOLT HEAVY DUTY CORNER ASSEMBLY	2.00
PSV/38/241	ALUM ACCSY 6 BOLT HEAVY DUTY CORNER	1.00
PSV/11/197	M10x20 DURLOCK BOLT PATCHED	4.00
PSV/49/954	PILLAR PACKER TOGGLE - M10	4.00



W01-00734

NBFL OFFSIDE SIDEFAME - BASIC ASSEMBLY



Stock Number	Description	Quantity
PSV/62/799	DOUBLE DECK UPPER CLADDING KIT O/S NBFL	1.00
PSV/62/811	NBFL UPPER SIDE CLADDING ASSEMBLY	1.00
PSV/62/809	NBFL UPPER SIDE CLADDING	1.00
PSV/62/817	UPPER SIDE CLADDING STIFFENER	1.00
PSV/62/818	UPPER SIDE CLADDING STIFFENER	1.00
PSV/62/819	UPPER SIDE CLADDING STIFFENER	1.00
PSV/62/820	UPPER SIDE CLADDING STIFFENER	1.00
PSV/62/821	UPPER SIDE CLADDING STIFFENER	1.00
PSV/62/822	UPPER SIDE CLADDING STIFFENER	1.00
PSV/62/812	NBFL UPPER SIDE CLADDING ASSEMBLY	1.00
PSV/62/810	NBFL UPPER SIDE CLADDING	1.00
PSV/62/813	UPPER SIDE CLADDING STIFFENER	1.00
PSV/62/814	UPPER SIDE CLADDING STIFFENER	1.00
PSV/62/815	UPPER SIDE CLADDING STIFFENER	1.00
PSV/62/816	UPPER SIDE CLADDING STIFFENER	1.00
PSV/62/826	NBFL UPPER SIDE CLADDING	1.00
PSV/62/827	NBFL UPPER SIDE CLADDING	1.00
PSV/62/803	OFFSIDE STRESS PANEL	1.00
PSV/62/804	OFFSIDE STRESS PANEL	1.00
PSV/62/805	OFFSIDE STRESS PANEL	1.00
PSV/62/806	OFFSIDE STRESS PANEL	1.00
PSV/62/807	OFFSIDE STRESS PANEL	1.00
PSV/62/829	SIDEFAME ATTACHMENT BRACKET	9.00
PSV/11/197	M10X20 VERBUS RIBBED BOLT	4.00
PSV/49/954	PILLAR PACKER TOGGLE - M10	4.00
PSV/63/971	SIDEFAME ATTACHMENT BRACKET	1.00
PSV/42/064	SIDEFAME ATTACHMENT BRACKET	11.00
PSV/62/830	SIDEFAME ATTACHMENT BRACKET	1.00
PSV/11/197	M10X20 VERBUS RIBBED BOLT	3.00
PSV/49/954	PILLAR PACKER TOGGLE - M10	3.00
PSV/63/972	SIDEFAME ATTACHMENT BRACKET	1.00
PSV/42/065	SIDEFAME ATTACHMENT BRACKET	4.00
PSV/62/833	ERECTION BRACKET COMPONENT	2.00
PSV/62/834	ERECTION BRACKET COMPONENT	1.00
PSV/62/837	SIDEFAME ATTACHEMENT BRACKET	2.00
PSV/62/839	SIDEFAME ATTACHMENT BRACKET ASSEMBLY	2.00
PSV/11/197	M10X20 VERBUS RIBBED BOLT	4.00
PSV/49/954	PILLAR PACKER TOGGLE - M10	4.00
PSV/63/997	SIDEFAME ATTACHMENT BRACKET	1.00
PSV/43/352	M5x20 BUTTON SOCKET HD SCREW ZINC/CLEAR	1.00
PSV/62/985	M8 x 16 mm CSK SOCKET HEAD SCREW	3.00
PSV/63/970	PILLAR GLASS FOLDED ANGLE ASSEMBLY	3.00
PSV/62/973	M10x25 CSK SKT SCREW. 10.9 GRADE, PATCH	4.00
PSV/49/954	PILLAR PACKER TOGGLE - M10	4.00
PSV/63/969	PILLAR GLASS FOLDED ANGLE	1.00
PSV/63/973	BODY GLASS SEALING BRACKET	1.00
PSV/63/974	BODYGLASS SEALING BRACKET	1.00
PSV/63/975	BODY GLASS SEALING BRACKET	1.00
PSV/63/976	NBFL UD PULPIT BONDING GROUND	1.00



W01-00734

NBFL OFFSIDE SIDEFAME - BASIC ASSEMBLY



Stock Number	Description	Quantity
PSV/63/977	BACKFILL ANGLE - SIDE PLANK	1.00
PSV/63/992	OFFSIDE FRONT SEALING PANEL ASM	1.00
PSV/63/986	OFFSIDE FRONT SEALING PANEL	1.00
PSV/63/990	SEALING PANEL PART	1.00
PSV/63/995	OFFSIDE REAR SEALING PANEL ASM	1.00
PSV/63/983	REAR SEALING PANEL PACKER	1.00
PSV/63/985	REAR SEALING PANEL PACKER	1.00
PSV/63/987	OFFSIDE REAR SEALING PANEL	1.00
PSV/63/988	OFFSIDE REAR SEALING PANEL PACKER	1.00
PSV/63/989	OFFSIDE REAR SEALING PANEL PACKER	1.00
PSV/63/994	SEALING PANEL PART	1.00
PSV/11/363	SIDEFAME ANGLE BRACKET	4.00
PSV/63/996	OFFSIDE STRESS PANEL	1.00
PSV/64/023	GRP SUPPORT BRACKET - UPPER	1.00
PSV/49/993	VIDEO BOX SIDE LINING SUPPORT BRACKET	1.00
PSV/49/994	VIDEO BOX SIDE LINING SUPPORT BRACKET	1.00
PSV/64/028	SIDEFAME ERECTION BRACKET	1.00
PSV/64/029	HANDPOLE / GRP GROUND	1.00
PSV/64/030	OFFSIDE STRESS PANEL	1.00
PSV/49/996	OFFSIDE SEALING PANEL	1.00
PSV/49/997	OFFSIDE SEALING PANEL	1.00
PSV/64/031	GRP SUPPORT BRACKET - LOWER	1.00
PSV/64/032	GRP SUPPORT BRACKET - LOWER	1.00
PSV/50/117	COVE SIDE ATTACHMENT EXTRUSION	1.00
PSV/64/129	NBFL INTERFLOOR ENDPLATE R/H	7.00
PSV/64/150	NBFL INTERFLOOR ENDPLATE R/H	1.00
PSV/64/234	MID DOOR INTERFLOOR BRACKET	2.00
PSV/64/308	EXT FRONT - D DECK RH MIRROR BRACKET	1.00
PSV/64/305	EXT FRONT - MIRROR BKT GUSSET c/w HOLE	1.00
PSV/64/306	EXT FRONT - MIRROR BKT TRIANGULAR GUSSET	1.00
PSV/64/307	160MM X 75X75X6MM MS ANGLE - MIRROR BRKT	1.00
PSV/64/582	NBFL OFFSIDE SIDEFAME PILLAR KIT	1.00
PSV/64/669	DOUBLE DECK - BODY PILLAR ASSEMBLY	1.00
PSV/62/122	80x40mm Pillar	1.00
PSV/11/156	ALUM BOX 80 x 40 (7.7M)	0.33
PSV/11/207	169mm PILLAR PACKER	1.00
PSV/12/979	4 BOLT CORNER ASSEMBLY (STANDARD)	2.00
PSV/54/064	M8X15 TORX BUTTON SCREW PATCHED	4.00
PSV/54/063	ALUM ACCESSORY TOGGLE M8	4.00
PSV/38/238	4 BOLT CORNER	1.00
PSV/12/980	4 BOLT CORNER ASSY (BONDED WINDOW TYPE)	3.00
PSV/38/239	ALUM ACCSY BONDED WINDOW BRACKET	1.00
PSV/54/063	ALUM ACCESSORY TOGGLE M8	4.00
PSV/43/348	M8x20 TORX BUTTON SCREW PATCHED	4.00
PSV/63/970	PILLAR GLASS FOLDED ANGLE ASSEMBLY	1.00
PSV/62/973	M10x25 CSK SKT SCREW. 10.9 GRADE, PATCH	4.00
PSV/49/954	PILLAR PACKER TOGGLE - M10	4.00
PSV/63/969	PILLAR GLASS FOLDED ANGLE	1.00



W01-00734

NBFL OFFSIDE SIDEFAME - BASIC ASSEMBLY



Stock Number	Description	Quantity
PSV/64/670	DOUBLE DECK - BODY PILLAR ASSEMBLY	1.00
PSV/62/127	80x40mm Pillar	1.00
PSV/11/156	ALUM BOX 80 x 40 (7.7M)	0.27
PSV/12/979	4 BOLT CORNER ASSEMBLY (STANDARD)	4.00
PSV/54/064	M8X15 TORX BUTTON SCREW PATCHED	4.00
PSV/54/063	ALUM ACCESSORY TOGGLE M8	4.00
PSV/38/238	4 BOLT CORNER	1.00
PSV/38/268	4 BOLT HEAVY DUTY CORNER ASSEMBLY	2.00
PSV/38/241	ALUM ACCSY 6 BOLT HEAVY DUTY CORNER	1.00
PSV/11/197	M10x20 DURLOCK BOLT PATCHED	4.00
PSV/49/954	PILLAR PACKER TOGGLE - M10	4.00
PSV/64/671	DOUBLE DECK - BODY PILLAR ASSEMBLY	1.00
PSV/62/120	120x40 Pillar	1.00
PSV/38/247	ALUM BOX 120x40 (6.5M)	0.53
PSV/11/207	169mm PILLAR PACKER	1.00
PSV/12/979	4 BOLT CORNER ASSEMBLY (STANDARD)	1.00
PSV/54/064	M8X15 TORX BUTTON SCREW PATCHED	4.00
PSV/54/063	ALUM ACCESSORY TOGGLE M8	4.00
PSV/38/238	4 BOLT CORNER	1.00
PSV/12/980	4 BOLT CORNER ASSY (BONDED WINDOW TYPE)	1.00
PSV/38/239	ALUM ACCSY BONDED WINDOW BRACKET	1.00
PSV/54/063	ALUM ACCESSORY TOGGLE M8	4.00
PSV/43/348	M8x20 TORX BUTTON SCREW PATCHED	4.00
PSV/38/268	4 BOLT HEAVY DUTY CORNER ASSEMBLY	2.00
PSV/38/241	ALUM ACCSY 6 BOLT HEAVY DUTY CORNER	1.00
PSV/11/197	M10x20 DURLOCK BOLT PATCHED	4.00
PSV/49/954	PILLAR PACKER TOGGLE - M10	4.00
PSV/62/960	M10X20 HIGH TENSILE BOLT	7.00
PSV/63/052	5/16IN.FLAT STEEL WASHER	7.00
PSV/49/954	PILLAR PACKER TOGGLE - M10	7.00
PSV/63/970	PILLAR GLASS FOLDED ANGLE ASSEMBLY	1.00
PSV/62/973	M10x25 CSK SKT SCREW. 10.9 GRADE, PATCH	4.00
PSV/49/954	PILLAR PACKER TOGGLE - M10	4.00
PSV/63/969	PILLAR GLASS FOLDED ANGLE	1.00
PSV/64/130	GOAL POST ATTACHMENT BRACKET	1.00
PSV/64/673	D/DECK BODY PILLAR ASSEMBLY	1.00
PSV/62/093	100 x 40mm Stub pillar rail	1.00
PSV/38/249	MILL.EXT.BOX 100x40 5.65M	0.27
PSV/62/125	80x40mm Stub pillar (Open face)	1.00
PSV/62/034	ALUM EXTR 80x40 OPEN FACE 6.6M	0.10
PSV/60/634	6-BOLT CORNER ASSEMBLY.	2.00
PSV/17/474	97mm PILLAR PACKER - UNEVEN HOLES	1.00
PSV/38/241	ALUM ACCSY 6 BOLT HEAVY DUTY CORNER	1.00
PSV/11/197	M10x20 VERBUS RIBBED BOLT - PRECOTE 80	5.00
PSV/49/954	PILLAR PACKER TOGGLE - M10	2.00
PSV/62/453	STUB PILLAR 5mm Y PLATE ASSEMBLY	1.00
PSV/36/108	100MM PILLAR PACKER	1.00



W01-00734

NBFL OFFSIDE SIDEFAME - BASIC ASSEMBLY



Stock Number	Description	Quantity
PSV/62/960	M10X20 HIGH TENSILE BOLT	7.00
PSV/49/954	PILLAR PACKER TOGGLE - M10	5.00
PSV/64/071	5mm JOCKEY PLATE (C/W 2mm RECESS)	1.00
PSV/62/964	M10x20 CSK SOCKET BOLT	1.00
PSV/64/677	DOUBLE DECK - BODY PILLAR ASSEMBLY	1.00
PSV/62/132	VERTICAL BODY PILLAR SECTION	1.00
PSV/11/156	ALUM BOX 80 x 40 (7.7M)	0.13
PSV/12/979	4 BOLT CORNER ASSEMBLY (STANDARD)	4.00
PSV/54/064	M8X15 TORX BUTTON SCREW PATCHED	4.00
PSV/54/063	ALUM ACCESSORY TOGGLE M8	4.00
PSV/38/238	4 BOLT CORNER	1.00
PSV/64/678	DOUBLE DECK - BODY PILLAR ASSEMBLY	1.00
PSV/62/133	VERTICAL BODY PILLAR SECTION	1.00
PSV/11/156	ALUM BOX 80 x 40 (7.7M)	0.47
PSV/11/207	169mm PILLAR PACKER	1.00
PSV/12/979	4 BOLT CORNER ASSEMBLY (STANDARD)	7.00
PSV/54/064	M8X15 TORX BUTTON SCREW PATCHED	4.00
PSV/54/063	ALUM ACCESSORY TOGGLE M8	4.00
PSV/38/238	4 BOLT CORNER	1.00
PSV/12/980	4 BOLT CORNER ASSY (BONDED WINDOW TYPE)	3.00
PSV/38/239	ALUM ACCSY BONDED WINDOW BRACKET	1.00
PSV/54/063	ALUM ACCESSORY TOGGLE M8	4.00
PSV/43/348	M8x20 TORX BUTTON SCREW PATCHED	4.00
PSV/38/268	4 BOLT HEAVY DUTY CORNER ASSEMBLY	1.00
PSV/38/241	ALUM ACCSY 6 BOLT HEAVY DUTY CORNER	1.00
PSV/11/197	M10x20 DURLOCK BOLT PATCHED	4.00
PSV/49/954	PILLAR PACKER TOGGLE - M10	4.00
PSV/64/034	W/CHAIR BAY UPPER HANDRAIL PACKER	1.00
PSV/64/679	DOUBLE DECK - BODY PILLAR ASSEMBLY	1.00
PSV/62/133	VERTICAL BODY PILLAR SECTION	1.00
PSV/11/156	ALUM BOX 80 x 40 (7.7M)	0.47
PSV/11/207	169mm PILLAR PACKER	2.00
PSV/12/979	4 BOLT CORNER ASSEMBLY (STANDARD)	6.00
PSV/54/064	M8X15 TORX BUTTON SCREW PATCHED	4.00
PSV/54/063	ALUM ACCESSORY TOGGLE M8	4.00
PSV/38/238	4 BOLT CORNER	1.00
PSV/12/980	4 BOLT CORNER ASSY (BONDED WINDOW TYPE)	4.00
PSV/38/239	ALUM ACCSY BONDED WINDOW BRACKET	1.00
PSV/54/063	ALUM ACCESSORY TOGGLE M8	4.00
PSV/43/348	M8x20 TORX BUTTON SCREW PATCHED	4.00
PSV/38/268	4 BOLT HEAVY DUTY CORNER ASSEMBLY	2.00
PSV/38/241	ALUM ACCSY 6 BOLT HEAVY DUTY CORNER	1.00
PSV/11/197	M10x20 DURLOCK BOLT PATCHED	4.00
PSV/49/954	PILLAR PACKER TOGGLE - M10	4.00
PSV/64/680	DOUBLE DECK - BODY PILLAR ASSEMBLY	1.00
PSV/62/133	VERTICAL BODY PILLAR SECTION	1.00
PSV/11/156	ALUM BOX 80 x 40 (7.7M)	0.47



W01-00734

NBFL OFFSIDE SIDEFAME - BASIC ASSEMBLY



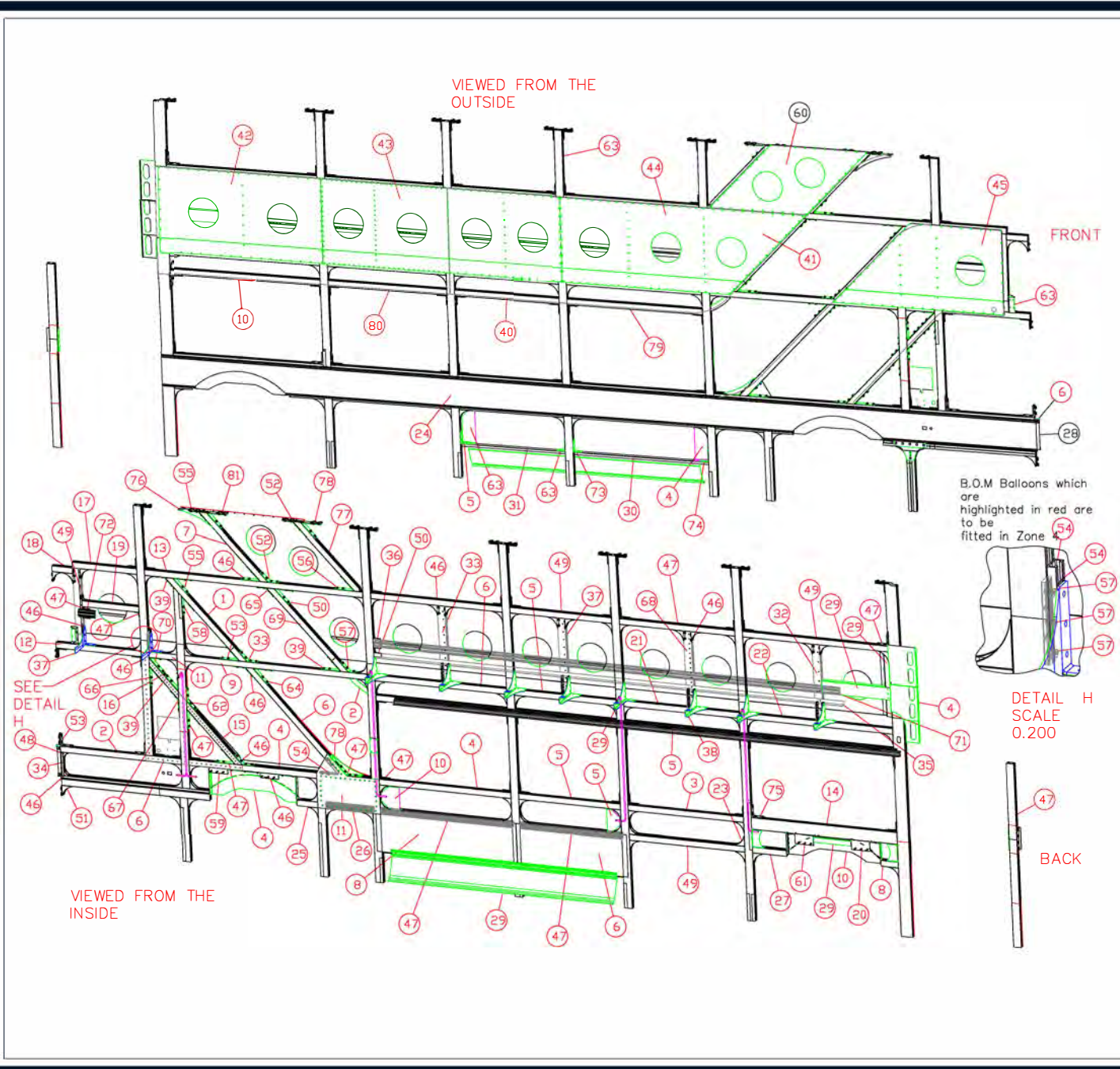
Stock Number	Description	Quantity
PSV/11/207	169mm PILLAR PACKER	2.00
PSV/12/979	4 BOLT CORNER ASSEMBLY (STANDARD)	8.00
PSV/54/064	M8X15 TORX BUTTON SCREW PATCHED	4.00
PSV/54/063	ALUM ACCESSORY TOGGLE M8	4.00
PSV/38/238	4 BOLT CORNER	1.00
PSV/12/980	4 BOLT CORNER ASSY (BONDED WINDOW TYPE)	4.00
PSV/38/239	ALUM ACCSY BONDED WINDOW BRACKET	1.00
PSV/54/063	ALUM ACCESSORY TOGGLE M8	4.00
PSV/43/348	M8x20 TORX BUTTON SCREW PATCHED	4.00
PSV/64/681	DOUBLE DECK - BODY PILLAR ASSEMBLY	1.00
PSV/62/133	VERTICAL BODY PILLAR SECTION	1.00
PSV/11/156	ALUM BOX 80 x 40 (7.7M)	0.47
PSV/11/207	169mm PILLAR PACKER	2.00
PSV/12/979	4 BOLT CORNER ASSEMBLY (STANDARD)	5.00
PSV/54/064	M8X15 TORX BUTTON SCREW PATCHED	4.00
PSV/54/063	ALUM ACCESSORY TOGGLE M8	4.00
PSV/38/238	4 BOLT CORNER	1.00
PSV/12/980	4 BOLT CORNER ASSY (BONDED WINDOW TYPE)	4.00
PSV/38/239	ALUM ACCSY BONDED WINDOW BRACKET	1.00
PSV/54/063	ALUM ACCESSORY TOGGLE M8	4.00
PSV/43/348	M8x20 TORX BUTTON SCREW PATCHED	4.00
PSV/38/268	4 BOLT HEAVY DUTY CORNER ASSEMBLY	2.00
PSV/38/241	ALUM ACCSY 6 BOLT HEAVY DUTY CORNER	1.00
PSV/11/197	M10x20 DURLOCK BOLT PATCHED	4.00
PSV/49/954	PILLAR PACKER TOGGLE - M10	4.00
PSV/62/960	M10X20 HIGH TENSILE BOLT	7.00
PSV/63/052	5/16IN.FLAT STEEL WASHER	7.00
PSV/49/954	PILLAR PACKER TOGGLE - M10	7.00
PSV/64/131	GOALPOST ATTACHMENT BRACKET	1.00
PSV/53/495	NBFL - REAR O/S BODY PILLAR ASSEMBLY	1.00
PSV/62/229	PILLAR PACKER BAR - 476mm	1.00
PSV/62/960	M10X20 HIGH TENSILE BOLT	2.00
PSV/62/964	M10x20 CSK SOCKET BOLT	6.00
PSV/63/052	5/16IN.FLAT STEEL WASHER	2.00
PSV/63/102	1102mm LONG 80 x 40 PILLAR (AUE-00002)	1.00
PSV/63/103	771mm LONG 80 x 40 PILLAR (AUE-00002)	1.00
PSV/49/954	PILLAR PACKER TOGGLE - M10	8.00
PSV/64/068	PILLAR SPLICE PLATE	1.00
PSV/64/069	PILLAR SPLICE BRACKET	1.00
PSV/64/725	RUBBER SPACER 2x10x10mm SELF ADHESIVE	62.00



O/S FRAME - BASIC ASSEMBLY - PILLAR KIT

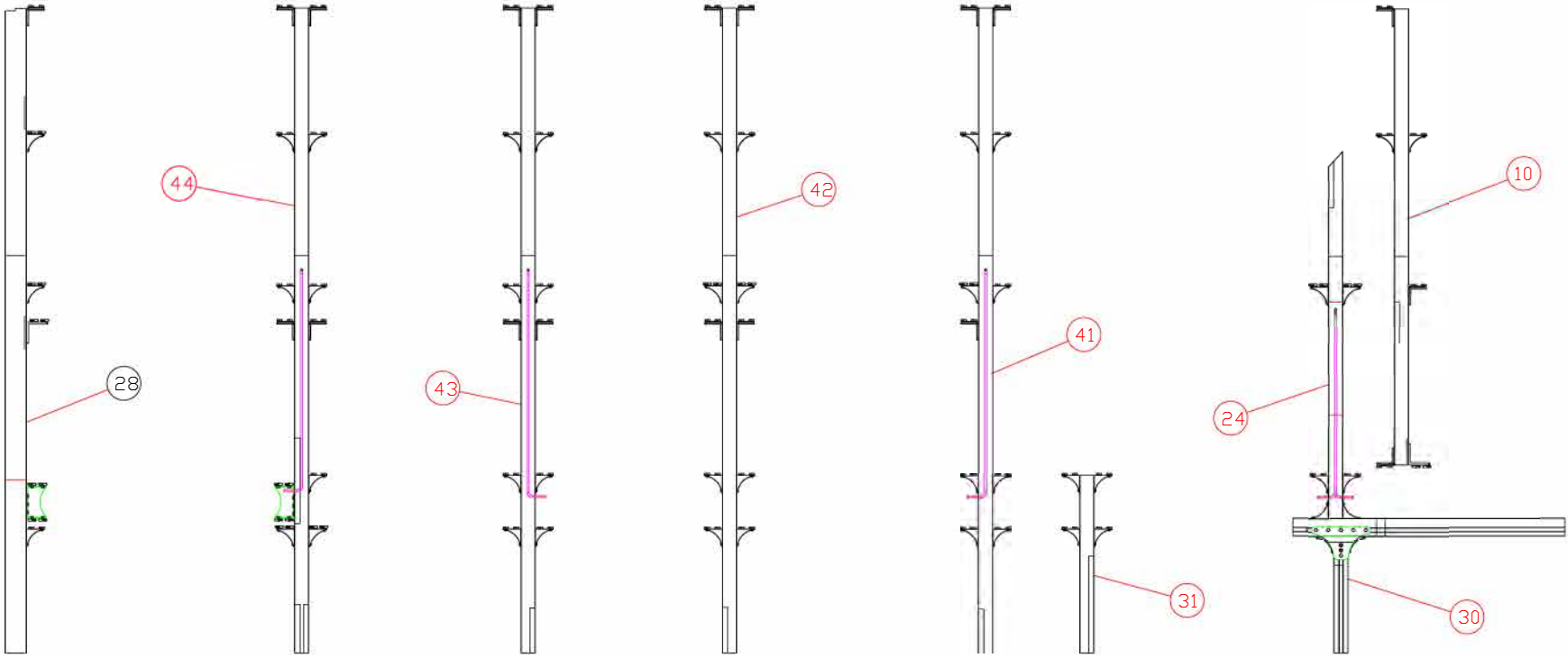
W01-00734

Index	PSV Ref	Description	Qty
1	PSV/62/072	INTERFLOOR BRACKET PACKER	1
2	PSV/62/073	60x40mm Alloy window stringer	2
3	PSV/62/075	60x40mm Horizontal window stringer	1
4	PSV/62/076	60x40mm Horizontal window stringer	5
5	PSV/62/077	60x40mm Horizontal window pillar	5
6	PSV/62/078	60x40mm Horizontal window stringer	5
7	PSV/62/079	60x40mm Horizontal window stringer	1
8	PSV/62/080	60x40 Horizontal window stringer	1
9	PSV/62/082	60x40mm Horizontal window stringer	1
10	PSV/62/083	60x40mm Horizontal window stringer	3
11	PSV/62/084	60x40mm mm Horizontal window stringer	2
12	PSV/62/085	60x40mm Horizontal window stringer	1
13	PSV/62/086	60x40mm Horizontal window stringer	1
14	PSV/62/087	60x40mm Horizontal window stringer	1
15	PSV/62/094	120x40mm Alloy window stringer	1
16	PSV/62/096	60x40mm Horizontal window stringer	1
17	PSV/62/097	60x40mm Horizontal window stringer	1
18	PSV/62/101	60x40mm Horizontal window stringer	1
19	PSV/62/102	60x40mm Horizontal window stringer	1
20	PSV/62/104	GRP SUPPORT RAIL	1
21	PSV/62/105	60x40 HORIZONTAL STRINGER	1
22	PSV/62/106	60x40 HORIZONTAL STRINGER	1
23	PSV/62/107	60x40 HORIZONTAL STRINGER	1
24	PSV/62/110	DIAGONAL STRINGER	1
25	PSV/27/942	NBFL FLOOR DRILLING GUIDE	1
26	PSV/62/112	UPPER DECK OFFSIDE SEATRAIL	1
27	PSV/62/113	UPPER DECK OFFSIDE SEATRAIL	1
28	PSV/62/118	OFFSIDE SIDE PLANK - LIGHTWEIGHT	1
29	PSV/62/119	OFFSIDE SIDE PLANK - ADD ON LIGHTWEIGHT	1
30	PSV/62/121	VERTICAL BODY PILLAR SECTION	5
31	PSV/62/134	VERTICAL SUPPORT SECTION	1
32	PSV/27/954	SEATRAIL SUPPORT ANGLE	1
33	PSV/62/135	SEATRAIL SUPPORT ANGLE	1
34	PSV/62/136	LOOM ATTACHMENT ANGLE	1
35	PSV/62/137	HANDPOLE SIDEFRAME GROUND	2
36	PSV/11/207	PILLAR PACKER	10
37	PSV/12/979	4 BOLT CORNER ASSY	23
38	PSV/12/980	FORGED CORNER BRACKET	20
39	PSV/13/360	2 BOLT CORNER ASSY	2
40	PSV/12/958	2 BOLT CORNER ASSY wght	2
41	PSV/38/266	SINGLE SEATRAIL BRACKET	1
42	PSV/38/268	4 BOLT HEAVY DUTY CORNER ASSY	2
43	PSV/62/799	DD UPPER CLADDING KIT NBFL	1
44	PSV/62/803	Offside stress panel - NBFL	1
45	PSV/62/804	Offside stress panel - NBFL	1
46	PSV/62/805	Offside stress panel - NBFL	1
47	PSV/62/806	Offside stress panel - NBFL	1
48	PSV/62/807	Offside stress panel - NBFL	1
49	PSV/62/829	SIDEFRAME ATTACHMENT BRACKET ASSEMBLY	9
50	PSV/42/064	SIDEFRAME ATTACHMENT BRACKET ASSEMBLY	11
51	PSV/62/830	SIDEFRAME ATTACHMENT BRACKET ASSEMBLY	1
52	PSV/42/065	SIDEFRAME ATTACHMENT BRACKET ASSEMBLY	4
53	PSV/62/833	ERECTION BRACKET ASSEMBLY	2
54	PSV/62/834	SIDEFRAME ATTACHMENT BRACKET ASSEMBLY	1
55	PSV/62/837	ERECTION BRACKET ASSEMBLY	2
56	PSV/62/839	SIDEFRAME ATTACHMENT BRACKET ASSEMBLY	2
57	PSV/62/985	M8 x 16 mm CSK SOCKET HEAD SCREW	3
58	PSV/63/970	PILLAR GLASS FOLDED ANGLE ASSEMBLY	3
59	PSV/63/973	BODY GLASS SEALING BRACKET	1
60	PSV/63/974	BODY GLASS SEALING BRACKET	1
61	PSV/63/975	BODY GLASS SEALING BRACKET	1
62	PSV/63/976	NBFL UD PULPIT BONDING GROUND	1
63	PSV/63/977	BACKFILL ANGLE - SIDE PLANK	1
64	PSV/63/992	OFFSIDE FRONT SEALING PANEL ASM	1
65	PSV/63/995	OFFSIDE REAR SEALING PANEL ASM	1
66	PSV/11/363	SIDEFRAME ANGLE BRACKET	4
67	PSV/63/996	Offside stress panel	1
68	PSV/64/023	GRP SUPPORT BRACKET - UPPER	1
69	PSV/49/993	VIDEO BOX SIDE LINING SUPPORT BRACKET	1
70	PSV/49/994	VIDEO BOX SIDE LINING SUPPORT BRACKET	1
71	PSV/64/028	SIDEFRAME ERECTION BRACKET	1
72	PSV/64/029	HANDPOLE / GRP GROUND	1
73	PSV/64/030	OFFSIDE STRESS PANEL	1
74	PSV/49/996	OFFSIDE SEALING PANEL	1
75	PSV/49/997	OFFSIDE SEALING PANEL	1
76	PSV/64/031	GRP SUPPORT BRACKET LOWER	1
77	PSV/64/032	GRP SUPPORT BRACKET - LOWER	1
78	PSV/50/117	NBFL COVE ATTACHMENT	1
79	PSV/64/129	NBFL INTERFLOOR ENDPLATE R/H	7
80	PSV/64/150	NBFL INTERFLOOR ENDPLATE R/H	1
81	PSV/64/234	NBFL INTERFLOOR ENDPLATE L/H	2
82	PSV/64/308	EXT FRONT - D DECK RH MIRROR BKT	1
83	PSV/64/582	NBFL OFFSIDE SIDEFRAME PILLAR KIT	1
84	PSV/53/495	NBFL REAR /S BODY PILLAR ASSEMBLY	1



W01-00734 - PAK-00320
O/S FRAME - BASIC ASSEMBLY - PILLAR KIT

Index	Part Number	Compnt Type	Description	Qty
1	PSV/64/669	ASSEMBLY	BODY PILLAR ASSEMBLY	1
2	PSV/64/670	ASSEMBLY	BODY PILLAR ASSEMBLY	1
3	PSV/64/671	ASSEMBLY	BODY PILLAR ASSEMBLY	1
4	PSV/64/673	ASSEMBLY	BODY PILLAR ASSEMBLY	1
5	PSV/64/677	ASSEMBLY	DOUBLE DECK - BODY PILLAR ASSEMBLY	1
6	PSV/64/678	ASSEMBLY	DOUBLE DECK - BODY PILLAR ASSEMBLY	1
7	PSV/64/679	ASSEMBLY	DOUBLE DECK - BODY PILLAR ASSEMBLY	1
8	PSV/64/680	ASSEMBLY	DOUBLE DECK - BODY PILLAR ASSEMBLY	1
9	PSV/64/681	ASSEMBLY	DOUBLE DECK - BODY PILLAR ASSEMBLY	1



W02-00157

ROOF - HYDROGEN EQUIPMENT COVER



Stock Number	Description	Quantity
PSV/62/316	ROOF COVER - SIDE WALL	12.00
PSV/62/315	ROOF COVER - FRONT UPPER	1.00
PSV/62/314	ROOF COVER - FRONT LOWER	1.00
PSV/62/317	ROOF COVER - REAR	1.00





W02-00261

ROOF FRAME - BASIC ASSEMBLY



Stock Number	Description	Quantity
PSV/62/139	60x40 ROOFSTICK	2.00
PSV/11/151	ALUM 60X40 ECO SECT 6.8M LENGTH	0.29
PSV/62/140	40x40 ROOFSTICK	6.00
PSV/11/148	ALUM ECON.BOX 40x40 6.0M	0.33
PSV/62/141	NEAR SIDE CANTRAIL	1.00
PSV/62/447	7.9M CANTRAIL FOR NBFL DOUBLEDECK	1.00
PSV/62/142	OFFSIDE CANTRAIL	1.00
PSV/62/447	7.9M CANTRAIL FOR NBFL DOUBLEDECK	1.00
PSV/62/143	HANDRAIL TRACK SUPPORT	5.00
PSV/62/033	SEATRAIL SECTION 40x20 (5.5M)	0.27
PSV/62/144	HANDRAIL SUPPORT RAIL	2.00
PSV/62/033	SEATRAIL SECTION 40x20 (5.5M)	0.15
PSV/62/145	HANDRAIL SUPPORT RAIL	2.00
PSV/62/033	SEATRAIL SECTION 40x20 (5.5M)	0.16
PSV/62/146	HANDRAIL SUPPORT RAIL	2.00
PSV/62/033	SEATRAIL SECTION 40x20 (5.5M)	0.19
PSV/62/146	HANDRAIL SUPPORT RAIL	1.00
PSV/62/033	SEATRAIL SECTION 40x20 (5.5M)	0.26
PSV/62/149	CENTRE ROOF BONDING RAIL	3.00
PSV/62/446	60x40 LONG. ROOF LINING BOND RAIL 7M	0.21
PSV/62/150	COVE SIDE ATTACHMENT EXTRUSION	2.00
PSV/62/449	COVE SIDE ATTACHMENT EXTRUSION	1.00
PSV/62/151	CENTRE ROOF BONDING RAIL	1.00
PSV/62/446	60x40 LONG. ROOF LINING BOND RAIL 7M	0.12
PSV/62/152	CENTRE ROOF BONDING RAIL	1.00
PSV/62/446	60x40 LONG. ROOF LINING BOND RAIL 7M	0.15
PSV/62/228	30mm PILLAR PACKER	13.00
PSV/62/276	ADH SIKA 205 CLEAN 1 LITRE	1.00
PSV/62/280	SIKA 255FC BLACK 600ML SAUSAGE	12.00
PSV/62/281	SIKA 552 WHITE 600ML SAUSAGE	1.00
PSV/37/576	ADH SEAL.EVOMASTIC 370CC	0.25
PSV/62/313	ALUM ROOF COIL (2090WD) 1.0MM THICK	7.80
PSV/62/336	NBFL ROOF POD	1.00
PSV/12/979	4 BOLT CORNER ASSEMBLY (STANDARD)	8.00
PSV/54/064	M8X15 TORX BUTTON SCREW PATCHED	4.00
PSV/54/063	ALUM ACCESSORY TOGGLE M8	4.00
PSV/38/238	4 BOLT CORNER	1.00
PSV/13/360	2 BOLT CORNER ASSEMBLY (STANDARD)	25.00
PSV/38/237	2 BOLT CORNER	1.00
PSV/54/064	M8X15 TORX BUTTON SCREW PATCHED	2.00
PSV/54/063	ALUM ACCESSORY TOGGLE M8	2.00
PSV/12/958	2 BOLT CORNER ASSEMBLY (WRIGHT)	10.00
PSV/37/885	ALUM 2 BOLT CORNER CASTING WRIGHTS	1.00
PSV/54/063	ALUM ACCESSORY TOGGLE M8	2.00
PSV/43/348	M8x20 TORX BUTTON SCREW PATCHED	2.00
PSV/38/268	4 BOLT HEAVY DUTY CORNER ASSEMBLY	2.00
PSV/38/241	ALUM ACCSY 6 BOLT HEAVY DUTY CORNER	1.00

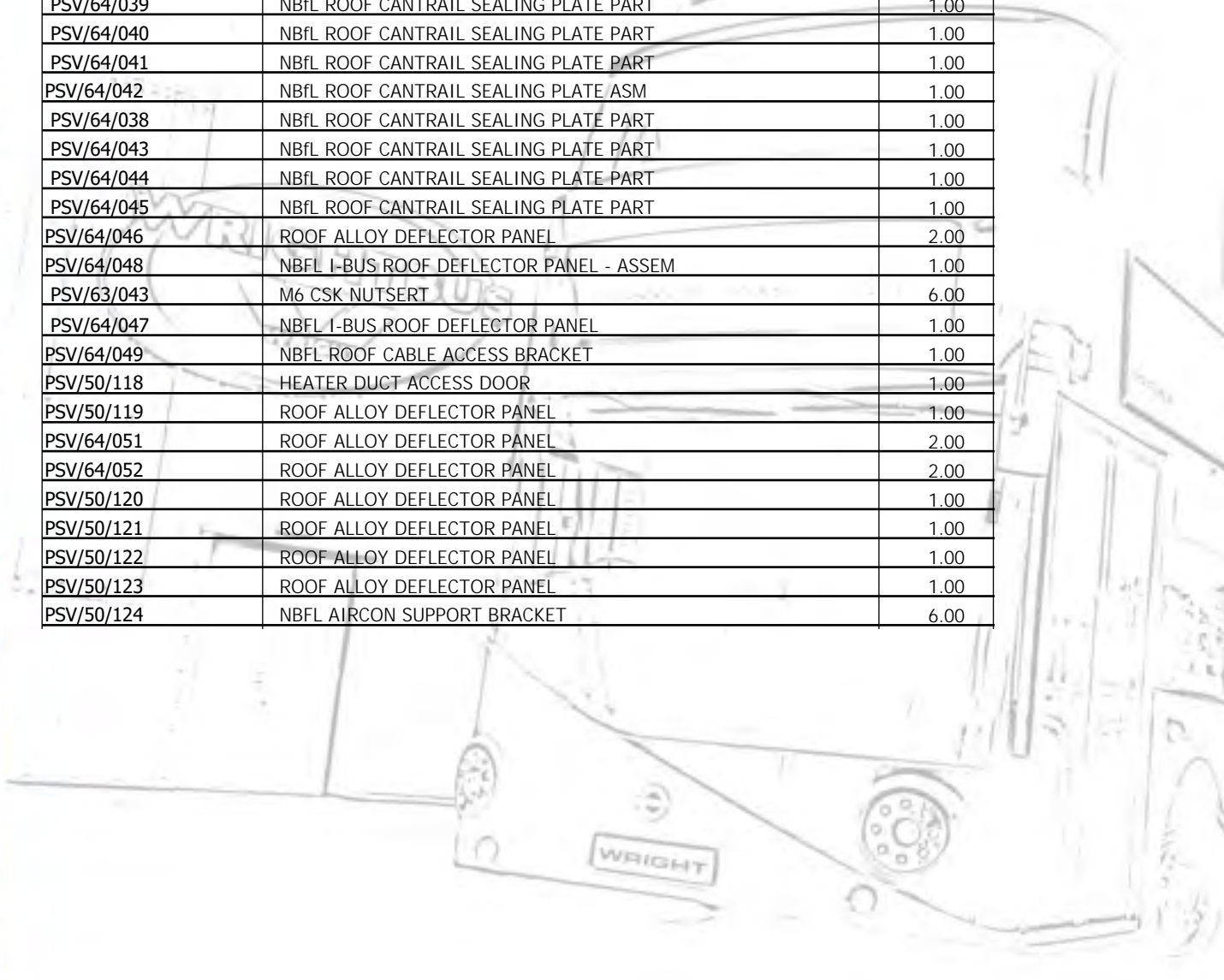


W02-00261

ROOF FRAME - BASIC ASSEMBLY

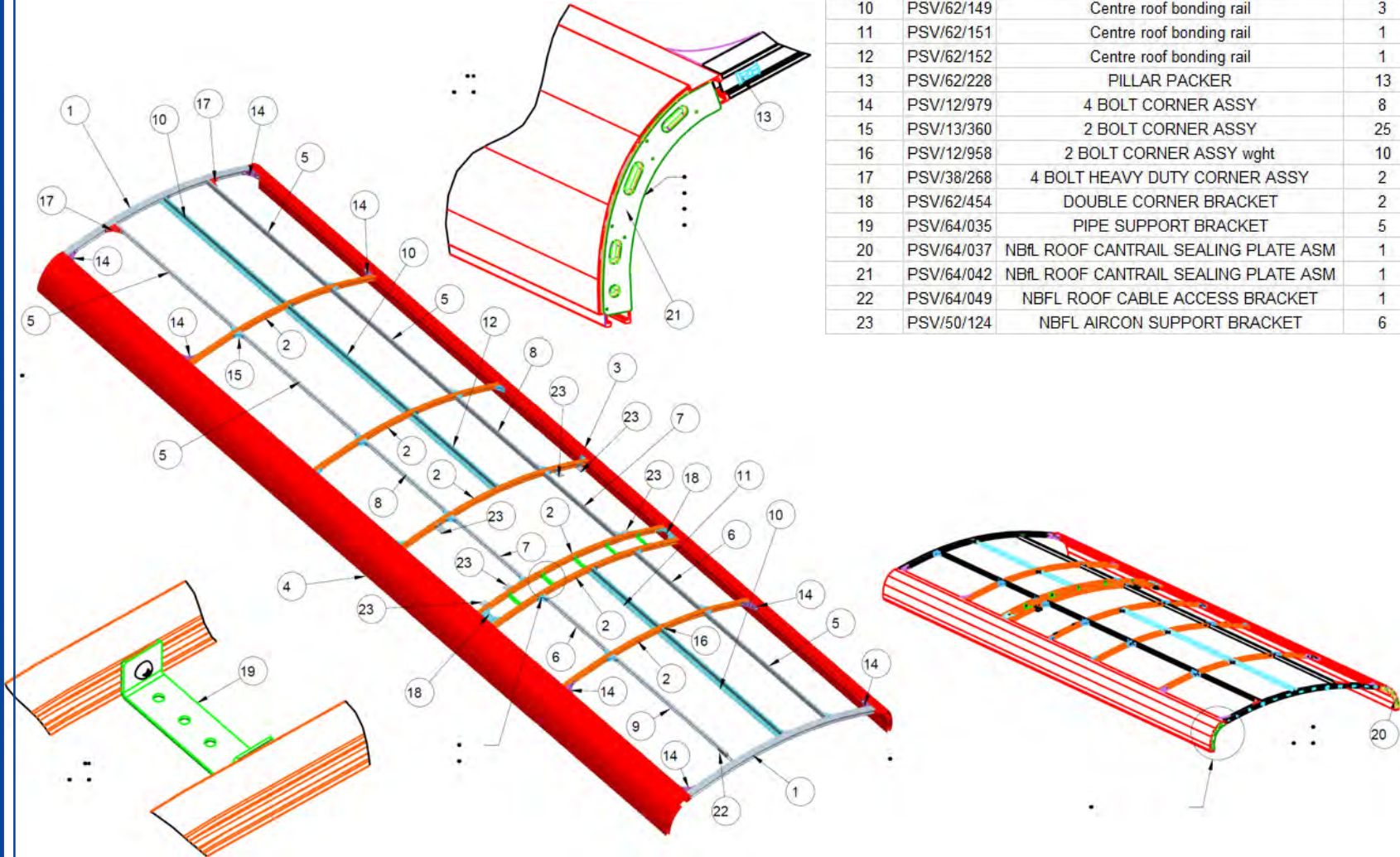


Stock Number	Description	Quantity
PSV/11/197	M10x20 DURLOCK BOLT PATCHED	4.00
PSV/49/954	PILLAR PACKER TOGGLE - M10	4.00
PSV/62/454	DOUBLE CORNER BRACKET ASSEMBLY	2.00
PSV/63/122	EMERGENCY ROOF BREAK GLASS GREEN TINTED	1.00
PSV/21/077	BREAK GLASS BUTTON -STP30/N	1.00
PSV/21/079	YELLOW SAFETY TAG FOR BREAK GLASS TOOL	1.00
PSV/49/989	HANDPOLE EXTRUSION	1.00
PSV/49/990	HANDPOLE EXTRUSION	1.00
PSV/64/035	PIPE SUPPORT BRACKET	5.00
PSV/64/036	NBFL ROOF POD SUPPORT	2.00
PSV/64/037	NBfL ROOF CANTRAIL SEALING PLATE ASM	1.00
PSV/64/038	NBfL ROOF CANTRAIL SEALING PLATE PART	1.00
PSV/64/039	NBfL ROOF CANTRAIL SEALING PLATE PART	1.00
PSV/64/040	NBfL ROOF CANTRAIL SEALING PLATE PART	1.00
PSV/64/041	NBfL ROOF CANTRAIL SEALING PLATE PART	1.00
PSV/64/042	NBfL ROOF CANTRAIL SEALING PLATE ASM	1.00
PSV/64/038	NBfL ROOF CANTRAIL SEALING PLATE PART	1.00
PSV/64/043	NBfL ROOF CANTRAIL SEALING PLATE PART	1.00
PSV/64/044	NBfL ROOF CANTRAIL SEALING PLATE PART	1.00
PSV/64/045	NBfL ROOF CANTRAIL SEALING PLATE PART	1.00
PSV/64/046	ROOF ALLOY DEFLECTOR PANEL	2.00
PSV/64/048	NBFL I-BUS ROOF DEFLECTOR PANEL - ASSEM	1.00
PSV/63/043	M6 CSK NUTSERT	6.00
PSV/64/047	NBFL I-BUS ROOF DEFLECTOR PANEL	1.00
PSV/64/049	NBFL ROOF CABLE ACCESS BRACKET	1.00
PSV/50/118	HEATER DUCT ACCESS DOOR	1.00
PSV/50/119	ROOF ALLOY DEFLECTOR PANEL	1.00
PSV/64/051	ROOF ALLOY DEFLECTOR PANEL	2.00
PSV/64/052	ROOF ALLOY DEFLECTOR PANEL	2.00
PSV/50/120	ROOF ALLOY DEFLECTOR PANEL	1.00
PSV/50/121	ROOF ALLOY DEFLECTOR PANEL	1.00
PSV/50/122	ROOF ALLOY DEFLECTOR PANEL	1.00
PSV/50/123	ROOF ALLOY DEFLECTOR PANEL	1.00
PSV/50/124	NBFL AIRCON SUPPORT BRACKET	6.00

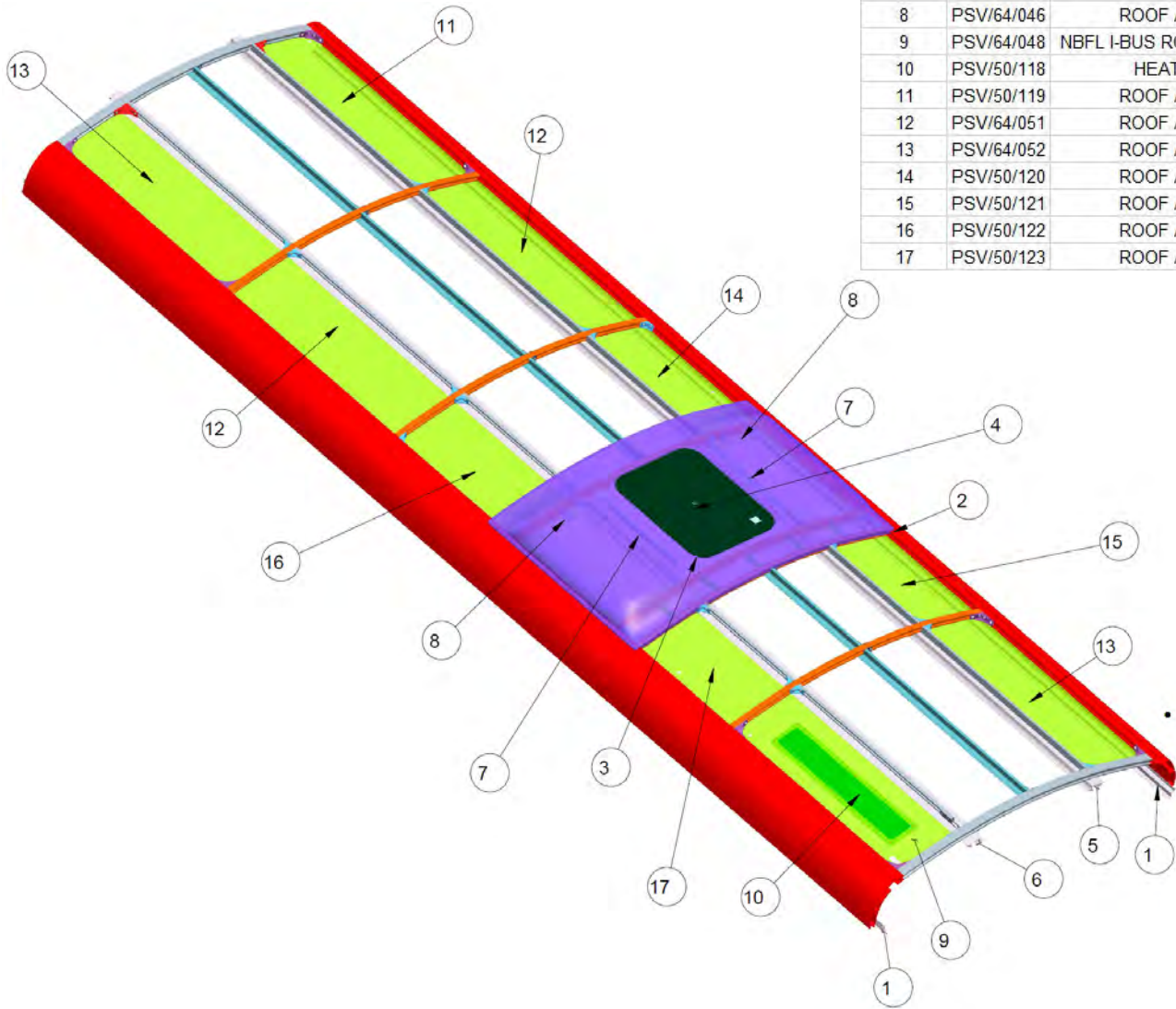


W02-00261
ROOF FRAME - BASIC ASSEMBLY

Index	PSV Ref	Description	Qty
1	PSV/62/139	ROOFSTICK	2
2	PSV/62/140	NBFL 40x40 ROOFSTICK	6
3	PSV/62/141	Nearside cantrail NBfL	1
4	PSV/62/142	Offside cantrail NBfL	1
5	PSV/62/143	Handrail support rail	5
6	PSV/62/144	Handrail support rail	2
7	PSV/62/145	Handrail support rail	2
8	PSV/62/146	Handrail support rail	2
9	PSV/62/147	Handrail support rail	1
10	PSV/62/149	Centre roof bonding rail	3
11	PSV/62/151	Centre roof bonding rail	1
12	PSV/62/152	Centre roof bonding rail	1
13	PSV/62/228	PILLAR PACKER	13
14	PSV/12/979	4 BOLT CORNER ASSY	8
15	PSV/13/360	2 BOLT CORNER ASSY	25
16	PSV/12/958	2 BOLT CORNER ASSY wght	10
17	PSV/38/268	4 BOLT HEAVY DUTY CORNER ASSY	2
18	PSV/62/454	DOUBLE CORNER BRACKET	2
19	PSV/64/035	PIPE SUPPORT BRACKET	5
20	PSV/64/037	NBfL ROOF CANTRAIL SEALING PLATE ASM	1
21	PSV/64/042	NBfL ROOF CANTRAIL SEALING PLATE ASM	1
22	PSV/64/049	NBFL ROOF CABLE ACCESS BRACKET	1
23	PSV/50/124	NBFL AIRCON SUPPORT BRACKET	6



Index	PSV Ref	Description	Qty
1	PSV/62/150	NBFL COVE ATTACHMENT	2
2	PSV/62/336	NBFL ROOF POD	1
3	PSV/63/122	EMERGENCY EXIT BREAK GLASS	1
4	PSV/61/258	BREAK GLASS BUTTON	1
5	PSV/49/989	NBFL UD N/S HANDPOLE EXTRUSION	1
6	PSV/49/990	NBFL UD O/S HANDPOLE EXTRUSION	1
7	PSV/64/036	ROOF POD SUPPORT	2
8	PSV/64/046	ROOF ALLOY DEFLECTOR PANEL	2
9	PSV/64/048	NBFL I-BUS ROOF DEFLECTOR PANEL - ASSEM	1
10	PSV/50/118	HEATER DUCT ACCESS DOOR	1
11	PSV/50/119	ROOF ALLOY DEFLECTOR PANEL	1
12	PSV/64/051	ROOF ALLOY DEFLECTOR PANEL	2
13	PSV/64/052	ROOF ALLOY DEFLECTOR PANEL	2
14	PSV/50/120	ROOF ALLOY DEFLECTOR PANEL	1
15	PSV/50/121	ROOF ALLOY DEFLECTOR PANEL	1
16	PSV/50/122	ROOF ALLOY DEFLECTOR PANEL	1
17	PSV/50/123	ROOF ALLOY DEFLECTOR PANEL	1



W02-00261
ROOF FRAME - BASIC ASSEMBLY



W03-00087

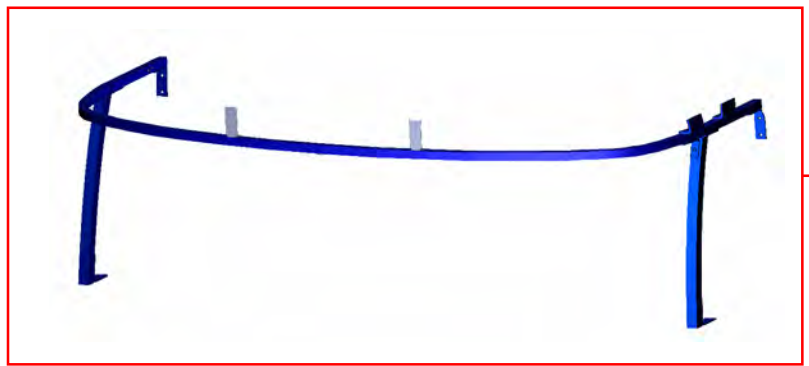
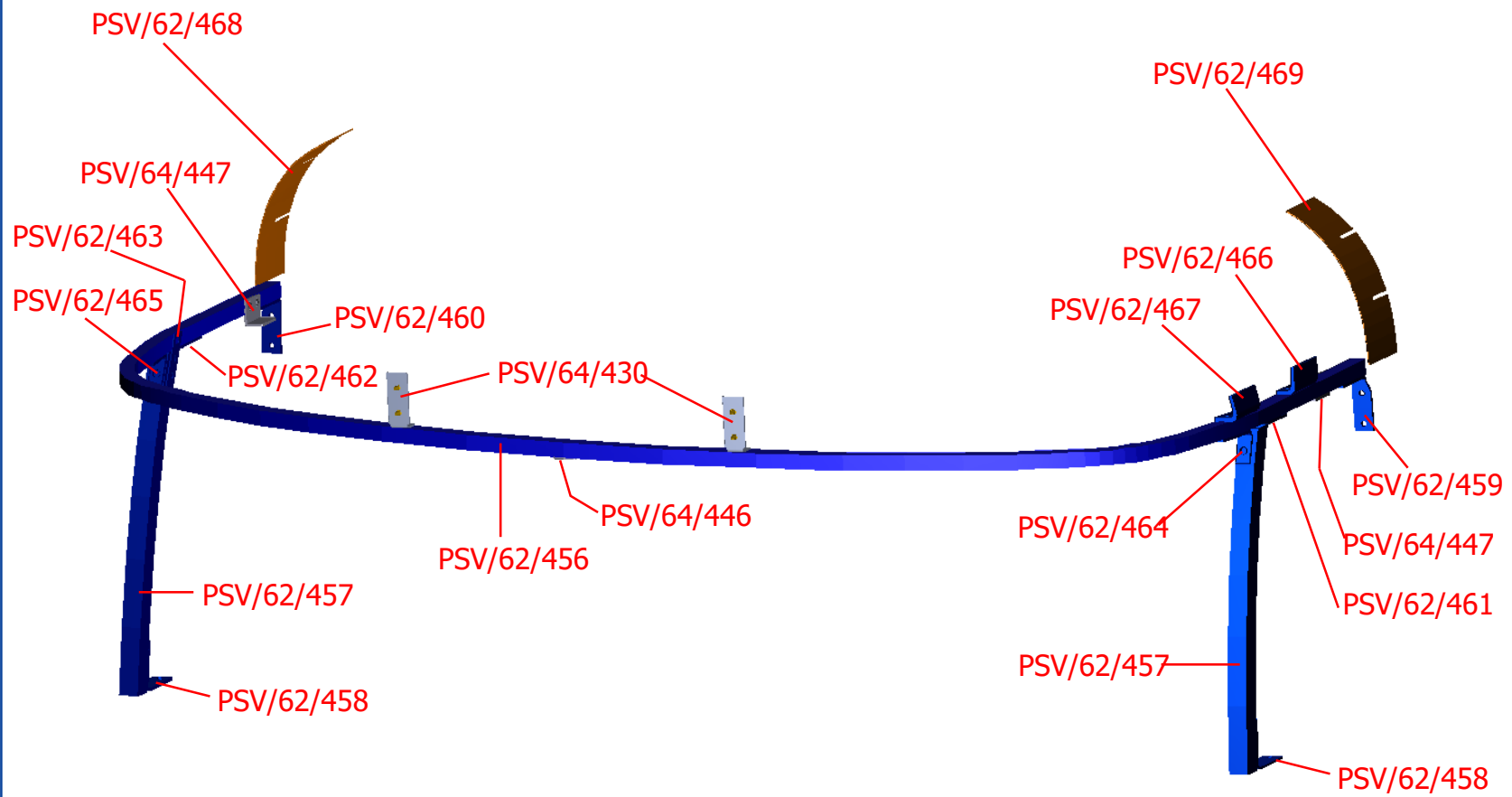
NBFL MODULAR FRONT TOP FRAME



Stock Number	Description	Quantity
PSV/62/455	NBFL MODULAR FRONT TOP FRAME	1.00
PSV/62/456	NBFL TOP FRAME CURVED RAIL	1.00
PSV/62/457	NBFL TOP FRAME TO BODY ATTACHMENT BOX	2.00
PSV/62/458	NBFL TOP FRAME ATTACH BRACKET 1	2.00
PSV/62/459	NBFL TOP FRAME ATTACH BRACKET 2	1.00
PSV/62/460	NBFL TOP FRAME ATTACH BRACKET 3	1.00
PSV/62/461	NBFL TOP FRAME ATTACH BRACKET 4	1.00
PSV/62/462	NBFL TOP FRAME ATTACH BRACKET 5	1.00
PSV/62/463	NBFL TOP FRAME ATTACH PLATE	2.00
PSV/62/464	NBFL TOP FRAME ATTACH BRACKET 6	1.00
PSV/62/465	NBFL TOP FRAME ATTACH BRACKET 7	1.00
PSV/62/466	NBFL TOP FRAME BRANCH DEFLECTOR BRK 1	1.00
PSV/62/467	NBFL TOP FRAME BRANCH DEFLECTOR BRK 2	1.00
PSV/63/043	M6 CSK NUTSERT	4.00
PSV/64/430	NBFL FRONT IBUS ATTACHMENT ANGLE	2.00
PSV/64/446	NBFL U/D FRONT BULKHEAD FIXING PLATE	1.00
PSV/62/468	TOP DOME / CANTRAIL SEALING PLATE	1.00
PSV/62/469	TOP DOME / CANTRAIL SEALING PLATE	1.00
PSV/64/447	NBFL U/D FRONT BULKHEAD FIXING ANGLE	2.00



W03-00087
MODULAR FRONT TOP FRAME





W03-00133

NBFL MODULAR FRONT

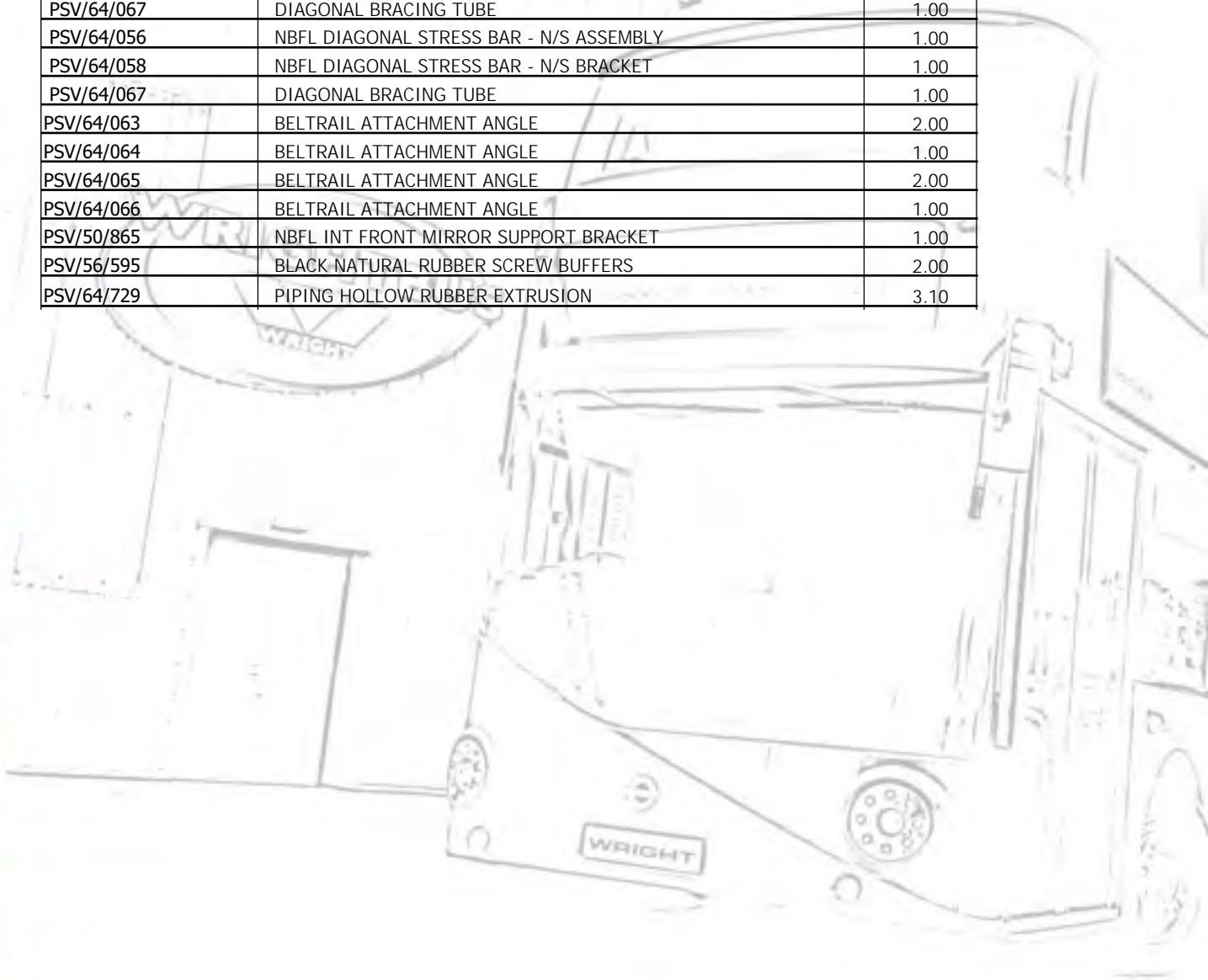


Stock Number	Description	Quantity
PSV/27/949	NBFL A PILLAR - 60 x 40	2.00
PSV/38/244	ALUM BOX 60x40 (6.2M)	0.46
PSV/62/155	NBFL TOP FRAME RAIL	1.00
PSV/11/148	ALUM ECON.BOX 40x40 6.0M	0.37
PSV/28/212	NBFL TOP FRAME CURVED RAIL	1.00
PSV/11/148	ALUM ECON.BOX 40x40 6.0M	0.37
PSV/28/216	NBFL WINDSCREEN BOND ANGLE N/S	1.00
PSV/38/260	NBFL WINDSCREEN ALLOY EXTRUSION	0.56
PSV/11/249	NBFL WINDSCREEN BOND ANGLE O/S	1.00
PSV/38/260	NBFL WINDSCREEN ALLOY EXTRUSION	0.39
PSV/62/228	30mm PILLAR PACKER	3.00
PSV/36/113	EMERGENCY DOOR HINGE PILLAR PACKER	2.00
PSV/11/256	PILLAR PACKER BAR - 120mm x 3 HOLES M10	1.00
PSV/13/200	08 CRASH PROTECT TO CHASSIS BRACKET	1.00
PSV/38/921	NBFL CRASH RAIL ASSEMBLY	1.00
PSV/62/486	O/S DASH BELT RAIL BOX SECTION - PART 1	1.00
PSV/62/488	NBFL CRASH RAIL - BOX SECTION PART 1	1.00
PSV/62/489	NBFL CRASH RAIL - BOX SECTION PART 2	1.00
PSV/62/490	NBFL CRASH RAIL - BOX SECTION PART 3	1.00
PSV/62/491	NBFL CRASH RAIL - PLATE PART 1	1.00
PSV/62/492	NBFL CRASH RAIL - PLATE PART 2	1.00
PSV/62/493	NBFL CRASH RAIL - ATTACHMENT BRACKET 1	1.00
PSV/62/498	NBFL N/S CRASH LEG ATTACHMENT BRACKET	1.00
PSV/62/499	O/S CRASH RAIL/PILLAR ATTACHMENT BRACKET	1.00
PSV/38/922	FRONT FRAME N/S CRASH RAIL BRK ASSEMBLY	1.00
PSV/62/500	N/S CRASH RAIL/PILLAR ATTACHMENT BRACKET	1.00
PSV/62/501	FRONT FRAME N/S CRASH RAIL BRK GUSSET	1.00
PSV/13/401	NBFL OS CRASH LEG / CROSS MEMBER BRACKET	1.00
PSV/13/400	NBFL O/S VERTICAL CRASH PROTECTION ASSEM	1.00
PSV/62/487	J RAIL BRACKET	2.00
PSV/62/494	NBFL O/S CRASH RAIL VERTICAL PART 1	1.00
PSV/62/495	NBFL O/S CRASH RAIL VERTICAL PART 2	1.00
PSV/13/396	NBFL N/S VERTICAL CRASH PROTECTION ASSEM	1.00
PSV/62/487	J RAIL BRACKET	2.00
PSV/62/496	NBFL N/S CRASH RAIL VERTICAL PART 1	1.00
PSV/62/497	NBFL N/S CRASH RAIL VERTICAL PART 2	1.00
PSV/11/195	NBFL CORNER ATTACH BRACKET	4.00
PSV/62/502	NBFL N/S DESTIN BOX ATTACH BRK ASSEM	1.00
PSV/62/503	NBFL N/S DESTIN BOX ATTACH BRK	1.00
PSV/62/504	NBFL DESTIN BOX ATTACH GUSSET	1.00
PSV/62/505	NBFL O/S DESTIN BOX ATTACH BRK ASSEM	1.00
PSV/62/504	NBFL DESTIN BOX ATTACH GUSSET	1.00
PSV/62/506	NBFL O/S DESTIN BOX ATTACH BRK	1.00
PSV/62/507	NBFL WIPER FRAME SUPPORT BRK ASSEMBLY	1.00
PSV/62/508	NBFL WIPER FRAME SUPPORT BRACKET	1.00
PSV/62/509	NBFL WIPER FRAME SUPPORT GUSSET	1.00
PSV/21/139	MID BUMPER LOCK LOCATION SECURE BRACKET	1.00
PSV/11/464	MID BUMPER STOPPER BRACKET	2.00
PSV/60/696	MID BUMPER HINGE PLATE	2.00

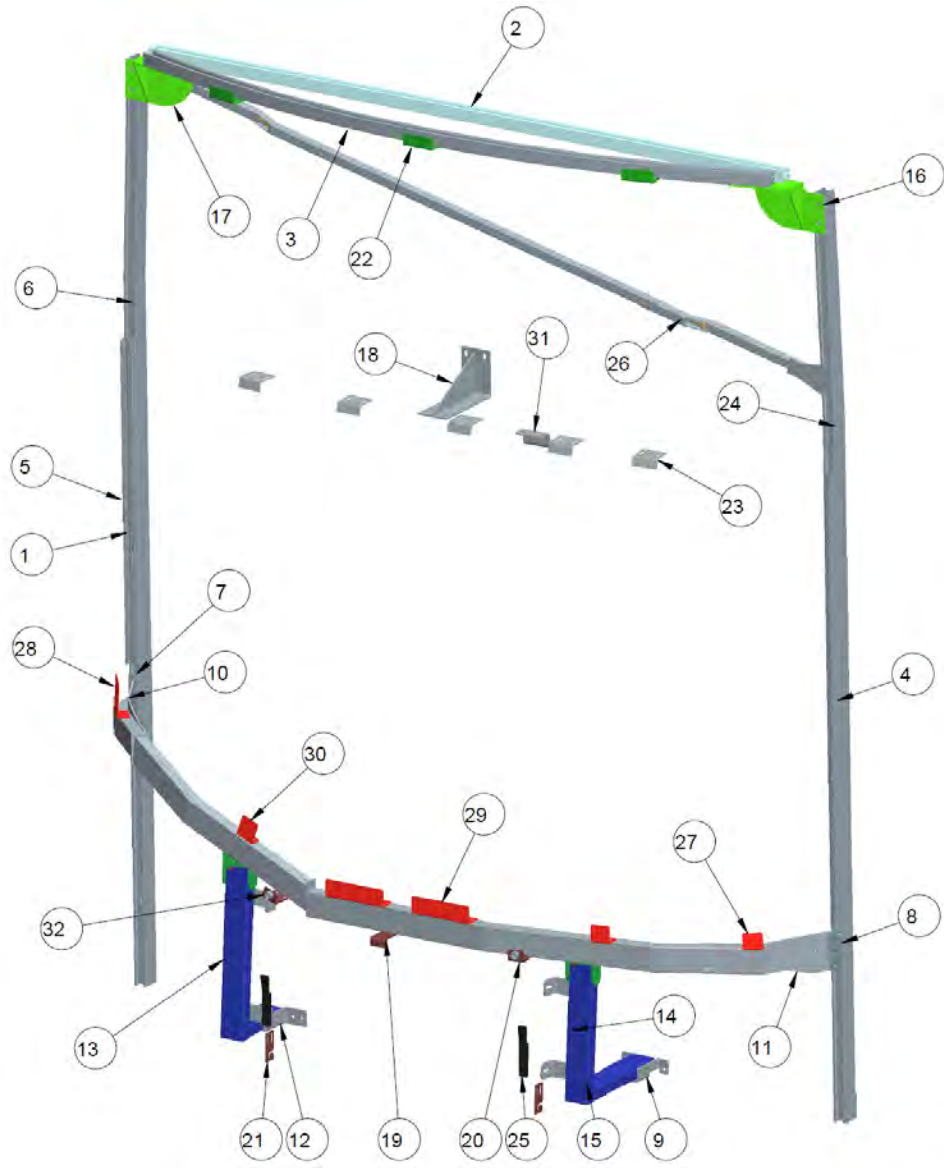
W03-00133
NBFL MODULAR FRONT



Stock Number	Description	Quantity
PSV/38/931	NBFL MID DOME ATTACHMENT BRACKET	3.00
PSV/62/513	NBFL MID DOME ATTACH ANGLE	5.00
PSV/63/049	M10 NUTSERT - REDUCED HEAD (0.8-3.5 mm)	2.00
PSV/13/869	INSPECTION DOOR STRAPS	2.00
PSV/45/534	25mm BLACK WEBBING	0.10
PSV/64/054	NBFL FRONT DIAGONAL STRESS BAR	1.00
PSV/62/967	M10x50 HT SET SCREW	4.00
PSV/60/826	M10 H/TENS. 10.9T NYLOCK	4.00
PSV/62/048	10x24x3 FLAT WASHER	4.00
PSV/64/053	MID DIAGONAL BRACING TUBE	1.00
PSV/64/055	NBFL DIAGONAL STRESS BAR - O/S ASSEMBLY	1.00
PSV/64/057	NBFL DIAGONAL STRESS BAR - O/S BRACKET	1.00
PSV/64/067	DIAGONAL BRACING TUBE	1.00
PSV/64/056	NBFL DIAGONAL STRESS BAR - N/S ASSEMBLY	1.00
PSV/64/058	NBFL DIAGONAL STRESS BAR - N/S BRACKET	1.00
PSV/64/067	DIAGONAL BRACING TUBE	1.00
PSV/64/063	BELTRAIL ATTACHMENT ANGLE	2.00
PSV/64/064	BELTRAIL ATTACHMENT ANGLE	1.00
PSV/64/065	BELTRAIL ATTACHMENT ANGLE	2.00
PSV/64/066	BELTRAIL ATTACHMENT ANGLE	1.00
PSV/50/865	NBFL INT FRONT MIRROR SUPPORT BRACKET	1.00
PSV/56/595	BLACK NATURAL RUBBER SCREW BUFFERS	2.00
PSV/64/729	PIPING HOLLOW RUBBER EXTRUSION	3.10



W03-00133
FRONT FRAME - BASIC ASSEMBLY



Index	PSV Ref	Description	Qty
1	PSV/27/949	NBFL A PILLAR - 60 x 40	2
2	PSV/62/155	NBFL TOP FRAME RAIL	1
3	PSV/28/212	NBFL TOP FRAME CURVED RAIL	1
4	PSV/28/216	NBFL WINDSCREEN BOND ANGLE N/S	1
5	PSV/11/249	NBFL WINDSCREEN BOND ANGLE O/S	1
6	PSV/62/228	PILLAR PACKER	3
7	PSV/36/113	EMERGENCY DOOR HINGE PACKER	2
8	PSV/11/256	PILLAR PACKER BAR - 120mm x 3 HOLES M10	1
9	PSV/13/200	08 CRASH PROTECT TO CHASSIS BRK	1
10	PSV/38/921	NBFL CRASH RAIL ASSEMBLY	1
11	PSV/38/922	FRONT FRAME N/S CRASH RAIL BRK ASSEMBLY	1
12	PSV/13/401	NBFL OS CRASH LEG / CROSS MEMBER BRACKET	1
13	PSV/13/400	NBFL O/S VERTICAL CRASH PROTECTION ASSEM	1
14	PSV/13/396	NBFL N/S VERTICAL CRASH PROTECTION ASSEM	1
15	PSV/11/195	NBFL FIBREGLASS O/S CORNER ATTACH BRACKET	4
16	PSV/62/502	NBFL N/S DESTIN BOX ATTACH BRK ASSEM	1
17	PSV/62/505	NBFL O/S DESTIN BOX ATTACH BRK ASSEM	1
18	PSV/62/507	NBFL WIPER FRAME SUPPORT BRK ASSEMBLY	1
19	PSV/21/139	MID BUMPER LOCK LOCATION SECURE BRACKET	1
20	PSV/11/464	MID BUMPER STOPPER BRACKET	2
21	PSV/60/696	MID BUMPER HINGE PLATE	2
22	PSV/38/931	NBFL MID DOME ATTACHMENT BRACKET	3
23	PSV/62/513	NBFL Front dome support	5
24	PSV/63/049	M10 NUTSERT- REDUCED HEAD (0.8-3.5 mm)	2
25	PSV/13/869	INSPECTION DOOR STRAP	2
26	PSV/64/054	FRONT DIAGONAL STRUT	1
27	PSV/64/063	BELTRAIL ATTACHMENT ANGLE	2
28	PSV/64/064	BELTRAIL ATTACHMENT ANGLE	1
29	PSV/64/065	BELTRAIL ATTACHMENT ANGLE	2
30	PSV/64/066	BELTRAIL ATTACHMENT ANGLE	1
31	PSV/50/865	Interior front mirror mounting bracket	1
32	PSV/56/595	BLACK RUBBER BUFFER	2

W05-00569

UNDERFRAME - RAMP PARTS NBFL



Stock Number	Description	Quantity
PSV/64/077	SKID PLATE SUPPORT ANGLE WB GEMINI	1.00
PSV/50/319	NBFL FRT FLOOR SUPPORT STRUCTURE ASSEMB	1.00
PSV/64/078	RAMP FRAME PART - NO RAMP	1.00
PSV/64/080	NBFL FRT FLOOR SUPPORT STRUCTURE - PART1	1.00
PSV/64/081	NBFL FRT FLOOR SUPPORT STRUCTURE - PART2	1.00
PSV/64/082	NBFL FRT FLOOR SUPPORT STRUCTURE - PART3	1.00
PSV/64/083	NBFL FRT FLOOR SUPPORT STRUCTURE - PART4	1.00
PSV/64/084	NBFL FRT FLOOR SUPPORT STRUCTURE - PART5	1.00
PSV/64/108	NBFL FRT FLOOR SUPPORT STRUCTURE - PART6	2.00
PSV/64/109	NBFL FRT FLOOR SUPPORT STRUCTURE - PART7	1.00
PSV/17/421	NBFL FRONT SKID PLATE	1.00
PSV/64/110	NBFL FRT FLOOR SUPPORT STRUCTURE - PART8	1.00
PSV/11/814	FRONT RAMP FRAME ATTACHMENT BRACKET	1.00





W05-00592

NBFL UNDERFRAME - BASIC ASSEMBLY



Stock Number	Description	Quantity
PSV/62/297	15x12mm SELF ADH SILICONE RUBBER D 25M	1.70
PSV/11/497	HINGE - BRASS BUTT - 2^	2.00
PSV/62/983	M5 x 40 mm BIGHEAD BOLT	5.00
PSV/63/350	ENGINE ENCLOSURE ASSEMBLY - NBFL	1.00
PSV/63/521	ENGINE ENCLOSURE - FLOOR CLOSING PLATE	1.00
PSV/63/583	INTERFLOOR CONNECTOR - ENGINE ENCLOSURE	1.00
PSV/63/584	INTERFLOOR CONNECTOR - ENGINE ENCLOSURE	1.00
PSV/63/586	INTERFLOOR CONNECTOR - ENGINE ENCLOSURE	1.00
PSV/63/587	INTERFLOOR CONNECTOR - ENGINE ENCLOSURE	1.00
PSV/63/626	INTERFLOOR CONNECTOR - ENGINE ENCLOSURE	1.00
PSV/63/585	INTERFLOOR CONNECTOR - ENGINE ENCLOSURE	1.00
PSV/63/627	ENGINE ENCLOSURE ACCESS DOOR PART	2.00
PSV/63/628	ENGINE ENCLOSURE ACCESS DOOR PART	1.00
PSV/63/629	ENGINE ENCLOSURE ACCESS DOOR PART	1.00
PSV/63/630	ENGINE ENCLOSURE ACCESS DOOR PART	1.00
PSV/63/631	ENGINE ENCLOSURE ATTACHMENT BKT SPACER	1.00
PSV/63/724	NBFL ENGINE ENCLOSURE PANEL	1.00
PSV/63/433	ENGINE ENCLOSURE TOP STAIRS	1.00
PSV/63/844	25mm STUDS 5mm DIA PLAIN	23.00
PSV/64/231	M8 WELD ON BOLT BLOCKS	4.00
PSV/63/725	NBFL ENGINE ENCLOSURE PANEL	1.00
PSV/63/445	ENGINE ENCLOSURE - TREAD 4	1.00
PSV/63/844	25mm STUDS 5mm DIA PLAIN	13.00
PSV/64/231	M8 WELD ON BOLT BLOCKS	2.00
PSV/63/726	NBFL ENGINE ENCLOSURE PANEL	1.00
PSV/63/512	ENGINE ENCLOSURE - RISER 4	1.00
PSV/63/844	25mm STUDS 5mm DIA PLAIN	10.00
PSV/63/727	NBFL ENGINE ENCLOSURE PANEL	1.00
PSV/63/444	ENGINE ENCLOSURE - TREAD 3	1.00
PSV/63/844	25mm STUDS 5mm DIA PLAIN	9.00
PSV/63/728	NBFL ENGINE ENCLOSURE PANEL	1.00
PSV/63/514	ENGINE ENCLOSURE - RISER 3	1.00
PSV/63/844	25mm STUDS 5mm DIA PLAIN	12.00
PSV/63/729	NBFL ENGINE ENCLOSURE PANEL	1.00
PSV/63/513	ENGINE ENCLOSURE - TREAD 2	1.00
PSV/63/844	25mm STUDS 5mm DIA PLAIN	10.00
PSV/63/730	NBFL ENGINE ENCLOSURE PANEL	1.00
PSV/63/515	ENGINE ENCLOSURE - RISER 2	1.00
PSV/63/844	25mm STUDS 5mm DIA PLAIN	14.00
PSV/63/731	NBFL ENGINE ENCLOSURE PANEL	1.00
PSV/63/519	ENGINE ENCLOSURE - TREAD 1	1.00
PSV/63/844	25mm STUDS 5mm DIA PLAIN	11.00
PSV/63/732	NBFL ENGINE ENCLOSURE PANEL	1.00
PSV/63/520	ENGINE ENCLOSURE - RISER 1	1.00
PSV/63/844	25mm STUDS 5mm DIA PLAIN	16.00
PSV/63/733	NBFL ENGINE ENCLOSURE PANEL	1.00
PSV/63/434	ENGINE ENCLOSURE - FRONT VERTICAL PANEL	1.00
PSV/63/844	25mm STUDS 5mm DIA PLAIN	18.00



W05-00592

NBFL UNDERFRAME - BASIC ASSEMBLY



Stock Number	Description	Quantity
PSV/64/231	M8 WELD ON BOLT BLOCKS	2.00
PSV/63/734	NBFL ENGINE ENCLOSURE PANEL	1.00
PSV/63/522	ENGINE ENCLOSURE SEALER PLATE	1.00
PSV/63/844	25mm STUDS 5mm DIA PLAIN	5.00
PSV/63/735	NBFL ENGINE ENCLOSURE PANEL	1.00
PSV/63/469	BULKHEAD PANEL OUTER - ENGINE ENCLOSURE	1.00
PSV/63/844	25mm STUDS 5mm DIA PLAIN	14.00
PSV/63/674	BRACKET - DC-DC ENCLOSURE	1.00
PSV/63/675	MOUNTING BRACKET - DC-DC ENCLOSURE	1.00
PSV/46/265	ENGINE BAY INSULATION KIT FOR NBFL	1.00
PSV/63/880	NBFL ENG BAY INSULATION PANEL	1.00
PSV/63/881	NBFL ENG BAY INSULATION PANEL	1.00
PSV/63/882	NBFL ENG BAY INSULATION PANEL	1.00
PSV/63/884	NBFL ENG BAY INSULATION PANEL	1.00
PSV/63/885	NBFL ENG BAY INSULATION PANEL	1.00
PSV/63/886	NBFL ENG BAY INSULATION PANEL	1.00
PSV/46/359	NBFL ENG BAY INSULATION PANEL	1.00
PSV/46/360	NBFL ENG BAY INSULATION PANEL	1.00
PSV/46/361	NBFL ENG BAY INSULATION PANEL	1.00
PSV/11/359	NBFL CONDUCTORS LOCKER BOX INSULATION	1.00
PSV/46/325	40MM DIA ENCAP WASHER N6 NYLON HIGH TEMP	250.00
PSV/63/846	ACQUILT 221 NO FACING 1.2M X 10M ROLL	1.00
PSV/64/079	NBFL CAB LOWER FLOOR	1.00
PSV/64/086	NBFL CAB FLOOR SUPPORT ANGLE	1.00
PSV/64/096	NBFL ENGINE ENCLOSURE SUPPORT	1.00
PSV/64/097	NBFL ENGINE ENCLOSURE SUPPORT PART	1.00
PSV/64/098	NBFL ENGINE ENCLOSURE SUPPORT PART	1.00
PSV/64/100	BNFL CONDUCTORS LOCKER ASSEMBLY	1.00
PSV/64/101	BNFL CONDUCTORS LOCKER PART	1.00
PSV/64/102	BNFL CONDUCTORS LOCKER PART	1.00
PSV/64/103	BNFL CONDUCTORS LOCKER PART	1.00
PSV/64/105	BNFL CONDUCTORS LOCKER PART	1.00
PSV/63/036	M8 ALL METAL SELF LOCKING NUT Z & C	6.00
PSV/63/043	M6 CSK NUTSERT	6.00
PSV/64/104	BNFL CONDUCTORS LOCKER PART	1.00
PSV/64/106	NBFL BRAKE RESISTOR SUPPORT BRACKET	1.00
PSV/50/332	NBFL CAB FLOOR TOP SECTION ASSEMBLY	1.00
PSV/63/694	DC-DC CONVERTER SUPPORT BRACKET	1.00
PSV/64/085	NBFL CAB FLOOR SUPPORT ANGLE	1.00
PSV/64/107	NBFL CAB FLOOR MAIN PART	1.00
PSV/64/122	NBFL CAB FLOOR TAPPING PLATES	4.00
PSV/50/333	NBFL CAB FLOOR ATTACHMENT BRACKET	1.00
PSV/64/114	ENGINE BOX SUPPORT BRACE FASTENING PLATE	1.00
PSV/43/349	M10x30 HT SET 12.9	2.00
PSV/64/115	SUPPORT BRACE FASTENING PLATE	1.00
PSV/64/336	NBFL STAIR TO DOME SUPPORT ANGLE	1.00
PSV/64/337	NBFL STAIR TO DOME SUPPORT ANGLE	1.00
PSV/56/587	WHEELARCH RUBBER SEAL	10.00

W05-00593

FIRE SUPPRESSION SYSTEM - NBFL



Stock Number	Description	Quantity
PSV/63/758	DETECTOR GAS BOTTLE ASSEMBLY	1.00
PSV/03/015	SMOKE DETECTOR UNIT	1.00
PSV/63/759	6.5 LITRE FIRE SUPPRESSION EXTINGUISHER	1.00
PSV/18/554	CHAT BACK ALARM TO MEET TFL SPEC.	1.00
PSV/63/760	NBFL DISTRIBUTION KIT	1.00
PSV/63/761	NBFL DETECTOR KIT	1.00
PSV/64/269	NBFL FIRE SUPPRESSION BOTTLE SUPPORT	1.00





W05-00703

MUDFLAPS - NBFL



Stock Number	Description	Quantity
PSV/64/297	FRONT MUDFLAP ATTACHMENT ANGLE	2.00
PSV/62/753	FRONT REINFORCED MUDFLAP	2.00

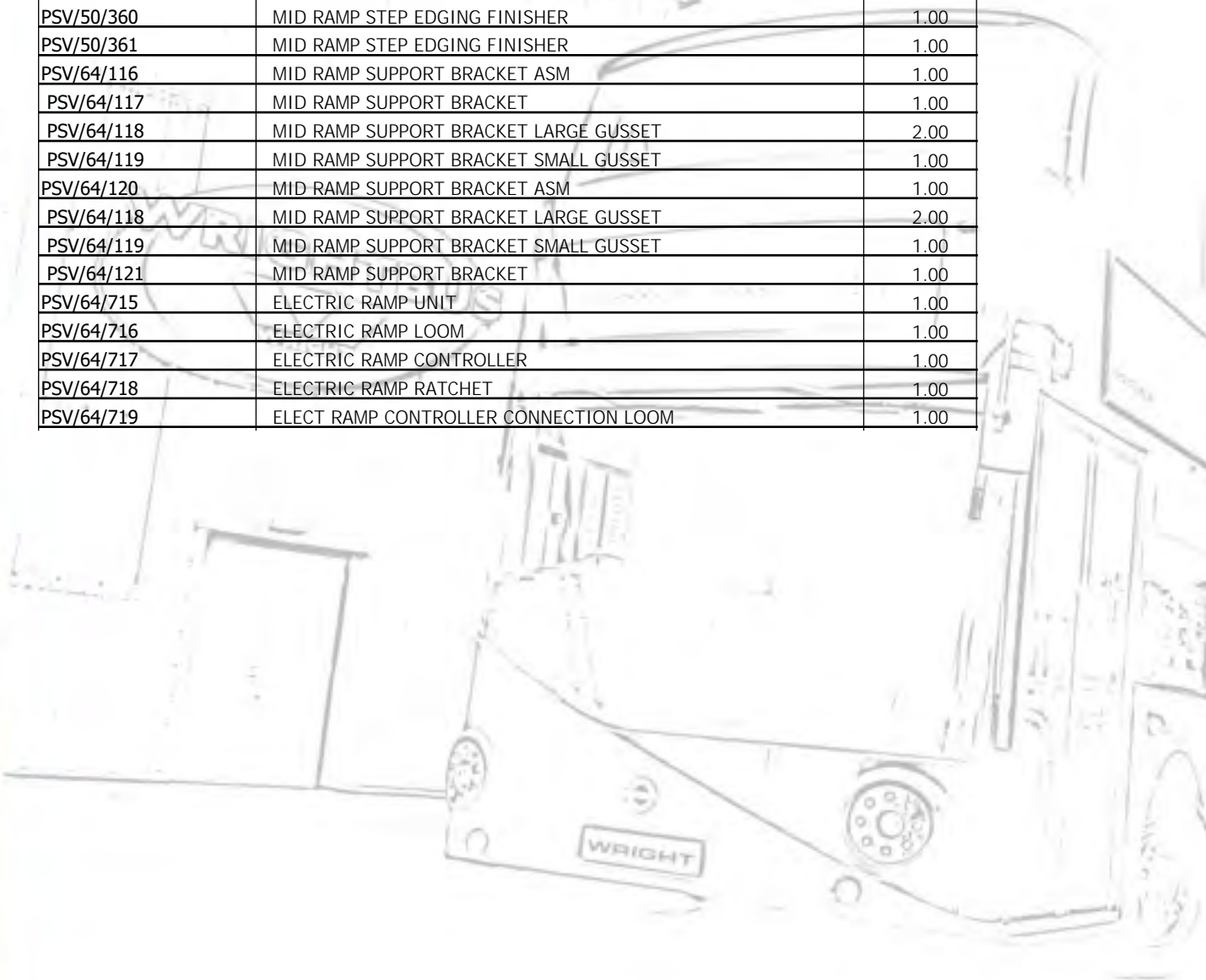


W05-00777

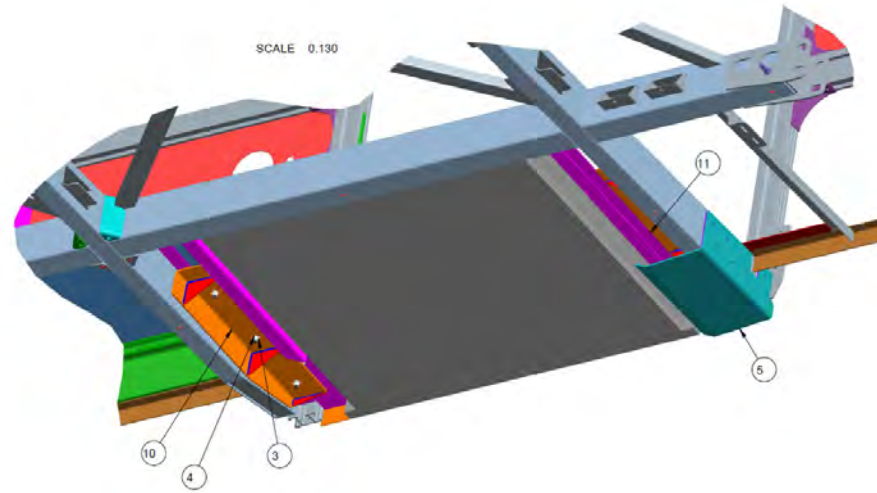
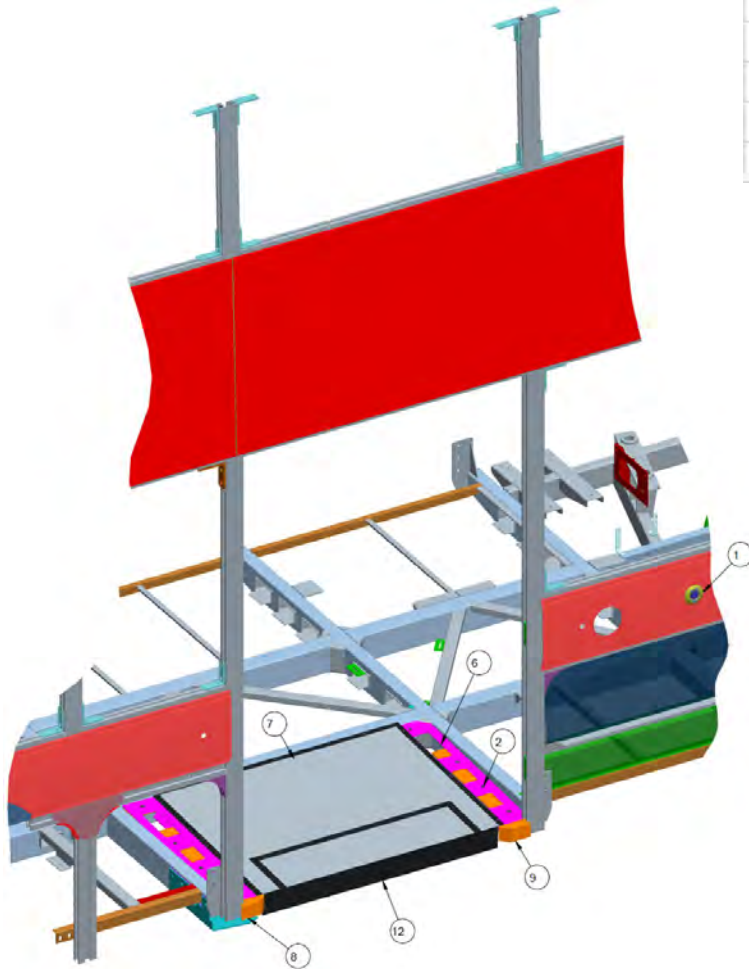
UNDERFRAME - MID DOOR RAMP NBFL



Stock Number	Description	Quantity
PSV/42/322	SPLIT SLEEVING	0.05
PSV/17/996	RAMP OVERRIDE SWITCH - BRITAX	2.00
PSV/10/350	TECHNA SWITCH BASE ON/OFF/ON MOMENTARY	1.00
PSV/10/974	TECHNA ACTUATOR CONTURA V RAMP LEGEND	1.00
PSV/06/014	ILLUMINATED RAMP REQUEST BUTTON	1.00
PSV/06/589	RAMP SWITCH YELLOW BEZEL FOR ELS-00257	1.00
PSV/63/762	1/2^ TERRY CLIP	2.00
PSV/47/798	MID DOOR OVERRIDE LENS	1.00
PSV/63/961	RAMP OVERRIDE LENS	1.00
PSV/50/330	NBFL MID DOOR RAMP SKID PLATE	1.00
PSV/64/112	MID DOOR RAMP FRAME BODY - LIGHTWEIGHT	1.00
PSV/64/113	MID DOOR RAMP FRAME ANGLE - LIGHTWEIGHT	1.00
PSV/50/360	MID RAMP STEP EDGING FINISHER	1.00
PSV/50/361	MID RAMP STEP EDGING FINISHER	1.00
PSV/64/116	MID RAMP SUPPORT BRACKET ASM	1.00
PSV/64/117	MID RAMP SUPPORT BRACKET	1.00
PSV/64/118	MID RAMP SUPPORT BRACKET LARGE GUSSET	2.00
PSV/64/119	MID RAMP SUPPORT BRACKET SMALL GUSSET	1.00
PSV/64/120	MID RAMP SUPPORT BRACKET ASM	1.00
PSV/64/118	MID RAMP SUPPORT BRACKET LARGE GUSSET	2.00
PSV/64/119	MID RAMP SUPPORT BRACKET SMALL GUSSET	1.00
PSV/64/121	MID RAMP SUPPORT BRACKET	1.00
PSV/64/715	ELECTRIC RAMP UNIT	1.00
PSV/64/716	ELECTRIC RAMP LOOM	1.00
PSV/64/717	ELECTRIC RAMP CONTROLLER	1.00
PSV/64/718	ELECTRIC RAMP RATCHET	1.00
PSV/64/719	ELECT RAMP CONTROLLER CONNECTION LOOM	1.00



Index	PSV Ref	Description	Qty
1	PSV/06/014	RAMP REQUEST BUTTON	1
2	PSV/63/029	M8x25 CSK SOCKET M/SCREW	10
3	PSV/43/667	M8 CAD.PLATED NYLOC NUT	10
4	PSV/60/163	8mm FLAT WASHER	10
5	PSV/50/330	NBFL MID DOOR RAMP SKID PLATE	1
6	PSV/64/112	MID DOOR RAMP FRAME BODY - LIGHTWEIGHT	1
7	PSV/64/113	MID DOOR RAMP FRAME ANGLE - LIGHTWEIGHT	1
8	PSV/50/360	MID RAMP STEP EDGING FINISHER	1
9	PSV/50/361	MID RAMP STEP EDGING FINISHER	1
10	PSV/64/116	MID RAMP SUPPORT BRACKET ASM	1
11	PSV/64/120	MID RAMP SUPPORT BRACKET ASM	1
12	PSV/64/715	RAMP EU6	1



W05-00777
 UNDERFRAME - MID DOOR RAMP

W06-00196

ERECTION - BASIC ASSEMBLY NBFL



Stock Number	Description	Quantity
PSV/62/072	NBFL O/S A-PILLAR PACKER	1.00
PSV/62/033	SEATRAIL SECTION 40x20 (5.5M)	0.03
PSV/62/163	GRP / SEATRAIL SEALING ANGLE	2.00
PSV/62/306	ALUM ANGLE 38x38x3mm (5M)	0.03
PSV/62/164	GRP / SEATRAIL SEALING ANGLE	1.00
PSV/62/306	ALUM ANGLE 38x38x3mm (5M)	0.03
PSV/36/132	4 HOLE PILLAR PACKER - 43mm PITCH	22.00
PSV/36/134	5 HOLE PILLAR PACKER - 35MM PITCH	1.00
PSV/62/476	N/S B PIL ERECTION BRKT	1.00
PSV/62/477	STAIRCASE STRUCTURE SUPPORT ASSY	1.00
PSV/62/511	STEERING COLUMN BRACE BRACKET	1.00
PSV/62/512	STEERING COLUMN BRACE BRACKET	1.00
PSV/42/034	ERECTION BRACKET ASSEMBLY - NBFL	1.00
PSV/38/415	NBFL O/S ERECTION / CROSS-MEMBER BRACKET	1.00
PSV/38/421	NBFL O/S ERECTION / CROSS-MEMBER BRACKET	1.00
PSV/42/053	ERECTION BRACKET COMPONENT GALVANISED	4.00
PSV/11/207	169mm PILLAR PACKER	1.00
PSV/38/404	D/DECK GALVANISED ERECTION BRACKET	1.00
PSV/11/197	M10X20 VERBUS RIBBED BOLT	3.00
PSV/62/828	ERECTION BRACKET COMPONENT	5.00
PSV/11/207	169mm PILLAR PACKER	1.00
PSV/11/197	M10X20 VERBUS RIBBED BOLT	3.00
PSV/62/470	D/DECK GALVANISED ERECTION BRACKET	1.00
PSV/11/791	NBFL O/S A-PILLAR ERECTION BRK ASSEMBLY	1.00
PSV/11/207	169mm PILLAR PACKER	1.00
PSV/62/471	NBFL O/S A-PILLAR ERECTION BRK ASSEMBLY	1.00
PSV/62/472	NBFL O/S A-PILLAR ERECTION BRACKET	1.00
PSV/62/473	NBFL O/S A-PILLAR ERECTION BRK GUSSET	2.00
PSV/11/197	M10X20 VERBUS RIBBED BOLT	3.00
PSV/11/214	NBFL N/S ERECTION / CROSS-MEMBER BRK ASS	1.00
PSV/62/474	NBFL NS ERECTION/CROSS-MEMBER BRK GUSSET	2.00
PSV/62/475	NBFL N/S ERECTION / CROSS-MEM BRACKET	1.00
PSV/11/685	NBFL N/S A-PILLAR ERECTION BRK ASSEMBLY	1.00
PSV/11/207	169mm PILLAR PACKER	1.00
PSV/38/416	NBFL N/S A-PILLAR ERECTION BRK ASSEMBLY	1.00
PSV/38/405	WB GEM FRONT XMEMBER ERECTION ANGLE	1.00
PSV/38/417	NBFL N/S A-PILLAR ERECTION BRACKET	1.00
PSV/11/197	M10X20 VERBUS RIBBED BOLT	3.00
PSV/62/831	ERECTION BRACKET COMPONENT	1.00
PSV/62/832	ERECTION BRACKET COMPONENT	1.00
PSV/11/412	ERECTION BRACKET COMPONENT	5.00
PSV/62/835	DOUBLE DECK ERECTION BRACKET ASSY	1.00
PSV/62/836	NEAR SIDE FRONT ERECTION BRACKET ASSEMBLY	1.00
PSV/62/838	ERECTION BRACKET COMPONENT	1.00
PSV/62/840	NBFL REAR END ERECTION BRACKET KIT	1.00
PSV/62/230	REAR DOME BACKING PLATE PACKER BAR	1.00
PSV/62/231	REAR DOME BACKING PLATE PACKER BAR	1.00
PSV/62/232	REAR DOME BACKING PLATE PACKER BAR	1.00

W06-00196

ERECTION - BASIC ASSEMBLY NBFL



Stock Number	Description	Quantity
PSV/62/233	REAR DOME BACKING PLATE PACKER BAR	1.00
PSV/64/320	REAR DOME BACKING PLATE	2.00
PSV/64/321	REAR DOME BACKING PLATE	2.00
PSV/64/322	REAR DOME BACKING PLATE	15.00
PSV/64/323	REAR DOME BACKING PLATE	1.00
PSV/64/324	REAR DOME BACKING PLATE	1.00
PSV/64/330	REAR DOME BACKING PLATE	1.00
PSV/50/987	REAR PILLAR / REAR DOME BACKING PLATE	1.00
PSV/64/331	REAR DOME BACKING PLATE	24.00
PSV/64/332	REAR DOME BACKING PLATE	42.00
PSV/64/333	REAR DOME BACKING PLATE	2.00
PSV/64/334	REAR DOME BACKING PLATE	1.00
PSV/64/335	REAR DOME BACKING PLATE	1.00
PSV/64/352	REAR DOME BACKING PLATE	1.00
PSV/64/353	REAR DOME BACKING PLATE	1.00
PSV/64/354	REAR DOME BACKING PLATE	1.00
PSV/64/355	REAR DOME BACKING PLATE	1.00
PSV/64/356	REAR DOME BACKING PLATE PACKER	1.00
PSV/64/357	REAR DOME BACKING PLATE PACKER	1.00
PSV/64/358	REAR DOME BACKING PLATE	1.00
PSV/64/359	REAR DOME BACKING PLATE	8.00
PSV/64/556	SUPPORT PLATE - REAR PARTITION GROUND	1.00
PSV/64/557	SPACER BOSS - REAR PARTITION GROUND	1.00
PSV/62/984	M10x65 HEAX HEAD BOLT G10.9 GEOMET	6.00
PSV/62/985	M8 x 16 mm CSK SOCKET HEAD SCREW	3.00
PSV/63/931	NBFL CURVED IFLOOR BRACE ASSY	1.00
PSV/63/929	DB250 INTERFLOOR BRACE - BOTTOM PLATE	1.00
PSV/63/930	NBFL CURVED IFLOOR BRACE - MAIN LEG	1.00
PSV/63/932	UNDERSTAIR SUPPORT BRACKET	1.00
PSV/63/933	INTERFLOOR BRACE ATTACHMENT BRACKET	1.00
PSV/63/943	NBFL CURVED IFLOOR BRACE AIR TANK PLATE	2.00
PSV/63/934	STAIRCASE PARTITION ASSEMBLY	1.00
PSV/63/926	B9TL EURO4 STRUCTURAL PARTITION GUSSET	3.00
PSV/63/927	STAIRCASE PARTITION LOWER PLATE B9TL EU4	1.00
PSV/63/935	STAIRCASE PARTITION VERTICAL	1.00
PSV/63/936	STAIRCASE PARTITION ATTACHMENT BRACKET	1.00
PSV/63/940	STAIRCASE PARTITION ATTACHMENT BRACKET	1.00
PSV/63/942	STAIRCASE PARTITION HORIZONTAL	2.00
PSV/63/944	SUPPORT FOR BUMP PAD	1.00
PSV/63/937	NBFL STAIRCASE SUPPORT ASSY	1.00
PSV/43/342	M8x25 CAD ENG.BOLT	3.00
PSV/63/029	M8 x 25 BLACK COUNTERSUNK ALLEN HEAD	1.00
PSV/43/667	M8 CAD.PLATED NYLOC NUT	4.00
PSV/60/163	M8 CAD.PLATED WASHER	7.00
PSV/63/928	B9E4 STAIRCASE STRESS BAR ANGLE	1.00
PSV/63/938	STAIRCASE SUPPORT ANGLE	1.00
PSV/63/939	NBFL STAIRCASE SUPPORT ANGLE	1.00
PSV/63/941	STAIRCASE PARTITION ATTACHMENT ANGLE	1.00
PSV/49/949	EMERGENCY.DOOR APERTURE CORNER	4.00



W06-00196

ERECTION - BASIC ASSEMBLY NBFL



Stock Number	Description	Quantity
PSV/64/059	NBFL N/S A PILLAR ATTACHMENT BRK ASSEM	1.00
PSV/64/060	NBFL N/S A PILLAR ATTACHMENT BRK ASSEM	1.00
PSV/64/061	NBFL N/S A PILLAR ATTACH END PLATE BRK	1.00
PSV/64/062	NBFL N/S A PILLAR BRK GUSSET	1.00
PSV/64/074	DB250 INTERFLOOR SUPPORT STRUT ASSY	1.00
PSV/64/072	DB250 INTERFLOOR SUPPORT STRUT ATT BKT	1.00
PSV/64/073	DB250 INTERFLOOR SUPPORT STRUT ATT BKT	1.00
PSV/64/126	WHEELARCH SPREADER PLATE	8.00
PSV/50/487	5MM HOOKED ERECT PACKER PLATE	8.00
PSV/64/127	3MM HOOKED ERECTION PACKER PLATE	8.00
PSV/64/129	NBFL INTERFLOOR ENDPLATE R/H	1.00
PSV/64/132	NBFL DRIVERS BRACE ASSEMBLY	1.00
PSV/62/956	M10x40 CAD ENG.BOLT	2.00
PSV/43/349	M10x30 HT SET 12.9	10.00
PSV/60/826	M10 H/TENS. 10.9T NYLOCK	12.00
PSV/63/053	24mm/10.5mm/3mm WASHER	24.00
PSV/64/076	DB250 DRIVERS BRACE CHASSIS BRACKET	1.00
PSV/64/123	DRIVERS BRACE DIAGONAL STRUT ASSEMBLY	1.00
PSV/64/124	DB250 DRIVERS BRACE HORIZONTAL	1.00
PSV/64/125	DB250 DRIVERS BRACE SPACER	1.00
PSV/64/133	NBFL DRIVERS BRACE PART	1.00
PSV/64/134	NBFL FRONT N/S STRESS BAR ASSEMBLY 1	1.00
PSV/64/135	NBFL FRONT N/S STRESS BAR BOX	1.00
PSV/64/136	NBFL BOX SECTION COVER PLATE	2.00
PSV/64/141	NBFL STRESS BAR BUSH	3.00
PSV/64/142	NBFL FRONT N/S STRESS BAR TOP BRACKET	1.00
PSV/64/137	NBFL REAR STRESS BAR ASSEMBLY	1.00
PSV/64/136	NBFL BOX SECTION COVER PLATE	2.00
PSV/64/141	NBFL STRESS BAR BUSH	3.00
PSV/64/146	NBFL REAR N/S STRESS BAR TOP BRACKET	1.00
PSV/64/147	NBFL REAR N/S STRESS BAR BOX	1.00
PSV/64/148	ERECTION PACKER PLATE	5.00
PSV/64/149	ERECTION PACKER PLATE	5.00
PSV/64/154	INTERFLOOR SUPPORT BRACKET ASSEMBLY	1.00
PSV/11/418	M10x25 VERBUS RIBBED BOLT ZINC & NICKEL	2.00
PSV/49/954	PILLAR PACKER TOGGLE - M10	2.00
PSV/64/155	INTERFLOOR SUPPORT BRACKET	1.00
PSV/64/156	INTERFLOOR SUPPORT BRACKET GUSSET	1.00
PSV/64/157	ERECTION CSK PLATE	4.00
PSV/64/158	NBFL DRIVERS BRACE PACKER	2.00
PSV/64/159	NBfL HV BATTERY PACK CRASH RAIL ASM	1.00
PSV/62/228	30mm PILLAR PACKER	4.00
PSV/11/197	M10X20 VERBUS RIBBED BOLT	4.00
PSV/64/160	NBfL HV BATTERY PACK CRASH RAIL PART	1.00
PSV/64/161	NBfL HV BATTERY PACK CRASH RAIL PART	2.00
PSV/50/544	PIPE FITTING SUPPORT BRACKET	15.00
PSV/64/186	PIPE ATTACHMENT BRACKET	5.00
PSV/64/255	REAR UNDER SEAT HEATER SUPPORT ANGLE	1.00



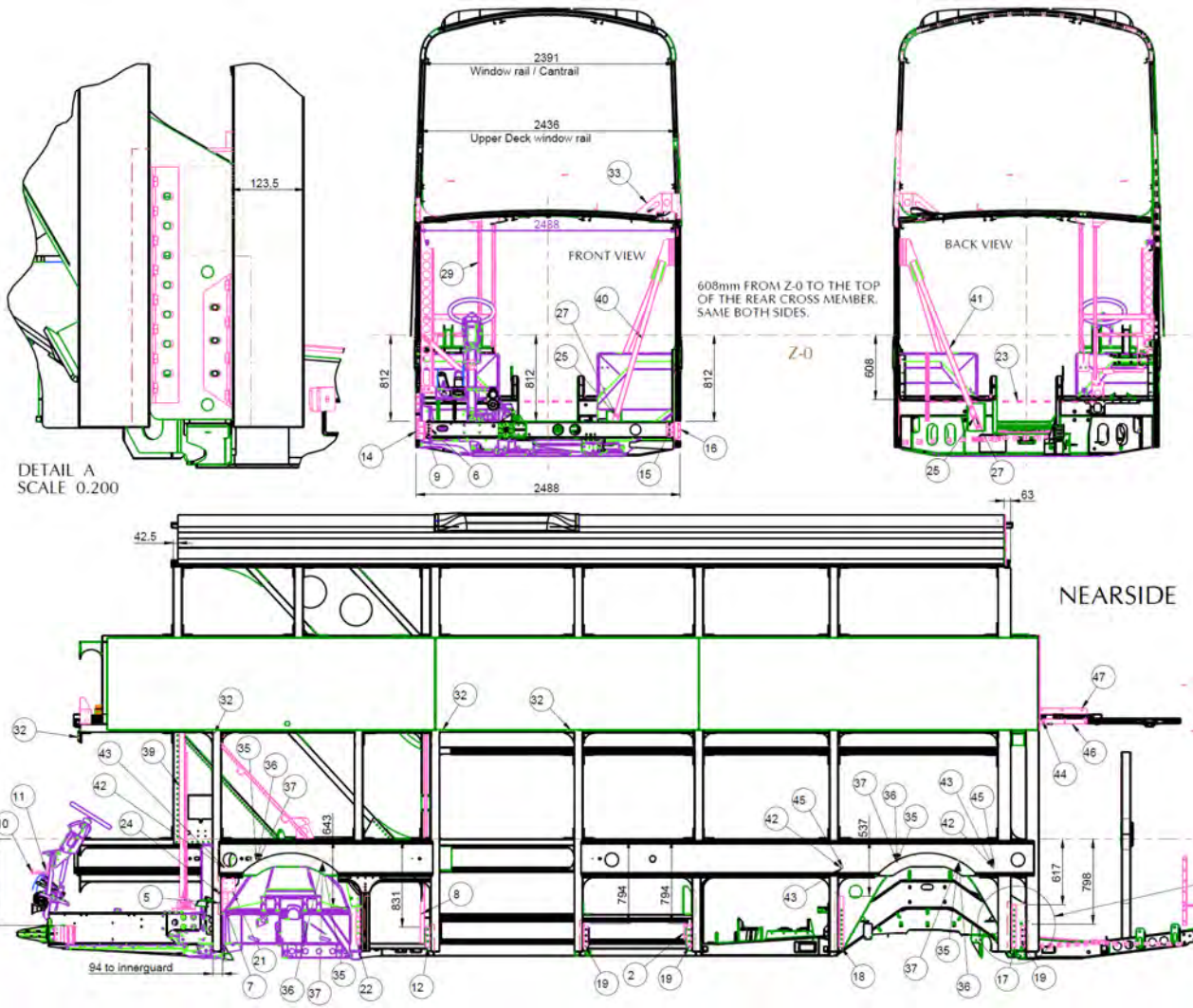
W06-00196

ERECTION - BASIC ASSEMBLY NBFL



Stock Number	Description	Quantity
PSV/64/257	REAR UNDER SEAT HEATER SUPPORT ANGLE	1.00





DETAIL A
SCALE 0.200

Index	PSV Ref	Description	Qty
1	PSV/62/072	INTERFLOOR BRACKET PACKER	1
2	PSV/62/163	GRP/SEATRAIL SEALING ANGLE	2
3	PSV/62/164	GRP/SEATRAIL SEALING ANGLE	1
4	PSV/36/132	4 HOLE PILLAR PACKER - 43mm PITCH	22
5	PSV/36/134	5 HOLE PILLAR PACKER-35mm PITCH	1
6	PSV/38/415	NBFL O/S ERECTION/CROSS-MEMBER BRACKET	1
7	PSV/62/476	N/S front erection bracket	1
8	PSV/62/477	Staircase partition support bracket assembly	1
9	PSV/38/421	NBFL O/S ERECTION/CROSS-MEMBER BRACKET	1
10	PSV/62/511	STEERING COLUMN BRACE BRACKET	1
11	PSV/62/512	STEERING COLUMN BRACE BRACKET	1
12	PSV/42/053	ERECTION BRACKET COMPONENT GALVANISED	4
13	PSV/62/828	Erection Bracket Assembly	5
14	PSV/11/791	NBFL O/S A-PILLAR ERECTION BRK ASSEMBLY	1
15	PSV/11/214	NBFL N/S ERECTION/CROSS-MEMBER BRK ASS	1
16	PSV/11/685	NBFL N/S A-PILLAR ERECTION BRK ASSEMBLY	1
17	PSV/62/831	ERECTION BRACKET COMPONENT GALVANISED	1
18	PSV/62/832	ERECTION BRACKET COMPONENT GALVANISED	1
19	PSV/11/412	B9TL EU4 O/S C PILLAR ERECTION BKT GALV	5
20	PSV/62/835	ERECTION BRACKET ASSEMBLY	1
21	PSV/62/836	SIDEFRAME ATTACHMENT BRACKET ASSEMBLY	1
22	PSV/62/838	DOUBLE DECK ERECTION BRACKET ASSEMBLY	1
23	PSV/62/840	FIXING PLATES AT REAR DOMES	1
24	PSV/11/197	M10x20 VERBUS HT12.9 BOLT	5
25	PSV/62/984	M10 x 20 CAD ENG BOLT (12.9)	6
26	PSV/62/985	M8 x 16 mm CSK SOCKET HEAD SCREW	3
27	PSV/63/053	M10 x 24 x 3 ZINC & CLEAR WASHER	6
28	PSV/63/931	NBFL CURVED INTERFLOOR BRACE	1
29	PSV/63/934	STAIRCASE PARTITION	1
30	PSV/63/937	NBFL STAIRCASE SUPPORT BKT ASSY	1
31	PSV/63/941	STAIRCASE PARTITION SUPPORT ANGLE	1
32	PSV/49/949	EMG DOOR APERTURE CORNER	4
33	PSV/64/059	NBFL N/S A PILLAR ATTACHMENT BRK ASSEM	1
34	PSV/64/074	DB250 INTERFLOOR SUPPORT STRUT ASSY	1
35	PSV/64/126	WHEELARCH SPREADER PLATE	8
36	PSV/50/487	HOOKED ERECT PACKER PLATE	8
37	PSV/64/127	HOOKED ERECT PACKER PLATE	8
38	PSV/64/129	NBFL INTERFLOOR ENDPLATE R/H	1
39	PSV/64/132	NBFL DRIVERS BRACE ASSEMBLY	1
40	PSV/64/134	NBFL FRONT N/S STRESS BAR ASSEMBLY 1	1
41	PSV/64/137	NBFL REAR STRESS BAR ASSEMBLY	1
42	PSV/64/148	ERECTION PACKER PLATE	5
43	PSV/64/149	ERECTION PACKER PLATE	5
44	PSV/64/154	INTERFLOOR SUPPORT BRACKET ASSEMBLY	1
45	PSV/64/157	ERECTION CSK PLATE	4
46	PSV/64/255	REAR UNDER SEAT HEATER SUPPORT ANGLE	1
47	PSV/64/257	REAR UNDER SEAT HEATER SUPPORT ANGLE	1

W06-00196
ERECTION - BASIC ASSEMBLY

W07-00714

HEATING - DRIVERS DEMISTER AIR CON UNIT



Stock Number	Description	Quantity
PSV/35/148	CONTROL PANEL AIR CHILL B9TL	1.00
PSV/15/270	VALVE 3-WAY 3 x 22 WITH PLUG	1.00
PSV/62/020	HEAVAC FRONT AIRCON DEMISTER UNIT	1.00
PSV/64/176	DEMISTER SUPPORT BRACKET	2.00
PSV/64/189	DEMISTER DUCTING EXTENSION ASSEMBLY	1.00
PSV/64/187	DEMISTER SUPPORT ANGLE	1.00
PSV/64/188	DEMISTER DUCTING EXTENSION	1.00

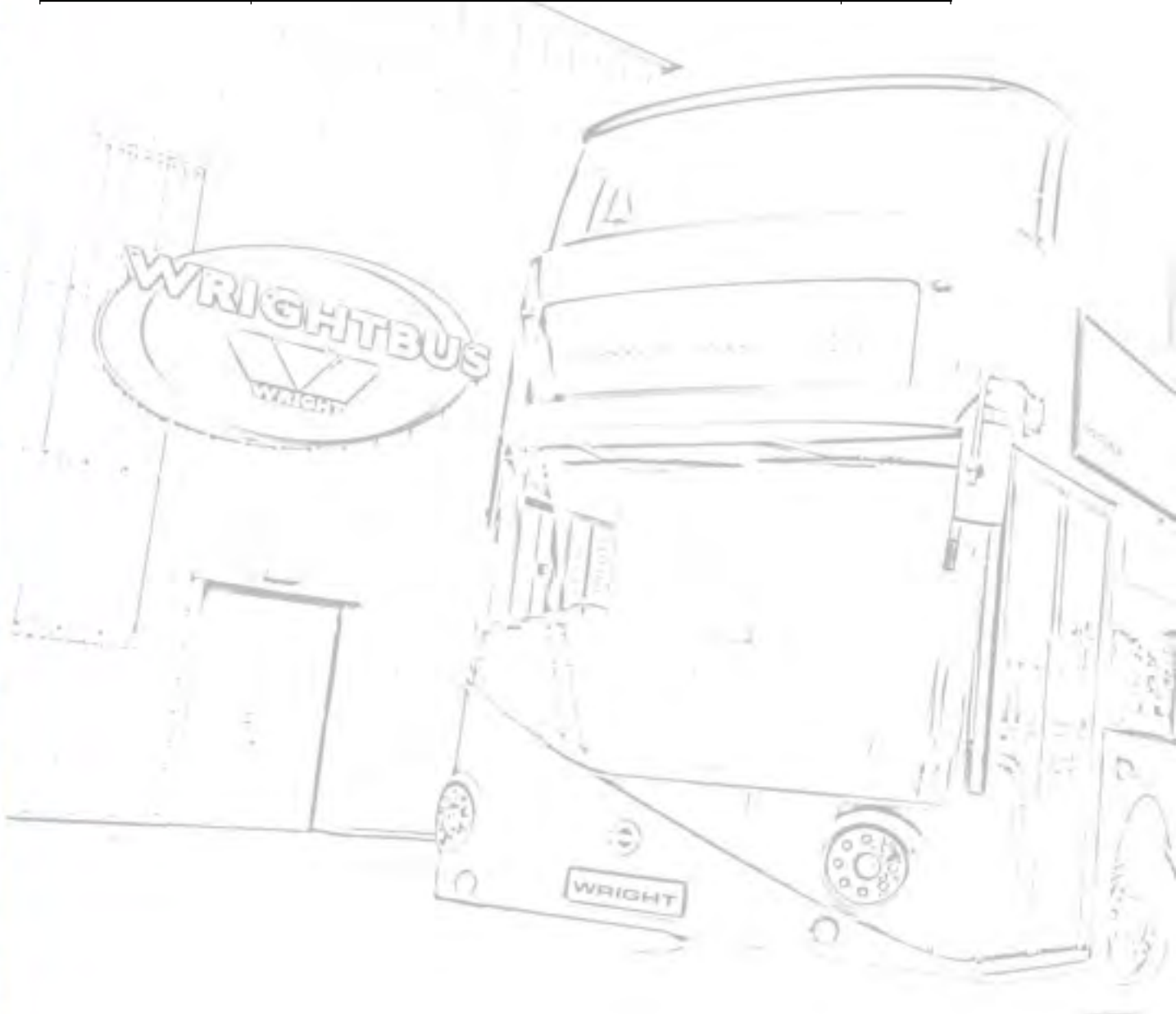


W07-00750

HEATING - DEMISTER COMPONENTS



Stock Number	Description	Quantity
PSV/15/761	^90DEG. REDUCER FOR CH8912	2.00
PSV/15/257	^2-1/2 EYEBALL VENT	2.00
PSV/15/769	ROUND HEATING VENT	1.00
PSV/15/879	PRIMA P169BIS AIR VENT 64007 BLACK	3.00
PSV/15/879	PRIMA P169BIS AIR VENT 64007 BLACK	7.00
PSV/63/204	TOP HAT 50mmx50mm	8.00
PSV/44/995	BREEZE CT HOSE CLAMP 35-50 MM	16.00
PSV/63/322	1.0m VACUFLEX HOSING (45mm DIA)	2.00
PSV/63/323	1.5m VACUFLEX HOSING (45mm DIA)	5.00
PSV/45/171	2.00M VACUFLEX HOSING (45MM DIA)	1.00



W07-00753

NBFL INTERFLOOR DUCT DEFLECTOR PANELS



Stock Number	Description	Quantity
PSV/64/179	INTERFLOOR ALLOY DEFLECTOR PANEL	1.00
PSV/64/180	INTERFLOOR ALLOY DEFLECTOR PANEL	1.00
PSV/64/181	INTERFLOOR ALLOY DEFLECTOR PANEL	1.00
PSV/64/182	INTERFLOOR ALLOY DEFLECTOR PANEL JOINER	2.00
PSV/64/183	STRUCTURAL BRACE FIXINGS ACCESS PLATE	1.00
PSV/64/184	INTERFLOOR HEATER PIPES ACCESS PLATE	1.00
PSV/64/185	INTERFLOOR HEATER PIPES ACCESS PLATE	1.00





W07-00755

NBFL AIR CHILL SYSTEM PARTS



Stock Number	Description	Quantity
PSV/63/285	8mm - 16mm NORMA CLIP.	12.00
PSV/46/339	CLOSED CELL FOAM 500MM WIDEX30MX6MM THK	33.00
PSV/64/696	INSULATION DISKS	56.00
PSV/64/751	5/8^ OD NYLON TUBE -NATURAL	8.00
PSV/64/752	1/2^O/D NYLON LINE NF50	0.08





W07-00828

BODY INSULATION - BASIC ASSEMBLY



Stock Number	Description	Quantity
PSV/63/836	NBFL ROOF INSULATION KIT - SIDES	1.00
PSV/63/847	ROOF FRAME INSULATION PART	2.00
PSV/63/877	ROOF FRAME INSULATION PART	2.00
PSV/63/878	ROOF FRAME INSULATION PART	2.00
PSV/63/887	ROOF FRAME INSULATION PART	2.00
PSV/63/888	ROOF FRAME INSULATION PART	1.00
PSV/63/916	ROOF FRAME INSULATION PART	1.00
PSV/63/837	NBFL NS SIDEFAME INSULATION KIT - LOWER	1.00
PSV/63/848	SIDEFAME INSULATION PART	1.00
PSV/63/849	SIDEFAME INSULATION PART	1.00
PSV/63/850	SIDEFAME INSULATION PART	1.00
PSV/63/879	SIDEFAME INSULATION PART	1.00
PSV/63/838	NBFL NS SIDEFAME INSULATION KIT - UPPER	1.00
PSV/63/851	SIDEFAME INSULATION PART	1.00
PSV/63/852	SIDEFAME INSULATION PART	1.00
PSV/63/853	SIDEFAME INSULATION PART	1.00
PSV/63/854	SIDEFAME INSULATION PART	1.00
PSV/63/855	SIDEFAME INSULATION PART	3.00
PSV/63/856	SIDEFAME INSULATION PART	1.00
PSV/63/857	SIDEFAME INSULATION PART	1.00
PSV/63/858	SIDEFAME INSULATION PART	1.00
PSV/63/859	SIDEFAME INSULATION PART	1.00
PSV/63/862	SIDEFAME INSULATION PART	1.00
PSV/63/918	SIDEFAME INSULATION PART	1.00
PSV/63/919	SIDEFAME INSULATION PART	2.00
PSV/63/839	NBFL OS SIDEFAME INSULATION KIT - LOWER	1.00
PSV/63/848	SIDEFAME INSULATION PART	1.00
PSV/63/849	SIDEFAME INSULATION PART	1.00
PSV/63/863	SIDEFAME INSULATION PART	1.00
PSV/63/864	SIDEFAME INSULATION PART	1.00
PSV/63/865	SIDEFAME INSULATION PART	1.00
PSV/63/866	SIDEFAME INSULATION PART	1.00
PSV/63/867	SIDEFAME INSULATION PART	1.00
PSV/63/868	SIDEFAME INSULATION PART	1.00
PSV/63/869	SIDEFAME INSULATION PART	1.00
PSV/63/840	NBFL OS SIDEFAME INSULATION KIT - UPPER	1.00
PSV/63/855	SIDEFAME INSULATION PART	2.00
PSV/63/859	SIDEFAME INSULATION PART	1.00
PSV/63/860	SIDEFAME INSULATION PART	1.00
PSV/63/861	SIDEFAME INSULATION PART	1.00
PSV/63/870	SIDEFAME INSULATION PART	1.00
PSV/63/871	SIDEFAME INSULATION PART	1.00
PSV/63/872	SIDEFAME INSULATION PART	1.00
PSV/63/873	SIDEFAME INSULATION PART	1.00
PSV/63/874	SIDEFAME INSULATION PART	1.00
PSV/63/875	SIDEFAME INSULATION PART	1.00
PSV/63/876	SIDEFAME INSULATION PART	1.00
PSV/63/920	SIDEFAME INSULATION PART	1.00
PSV/63/921	SIDEFAME INSULATION PART	1.00

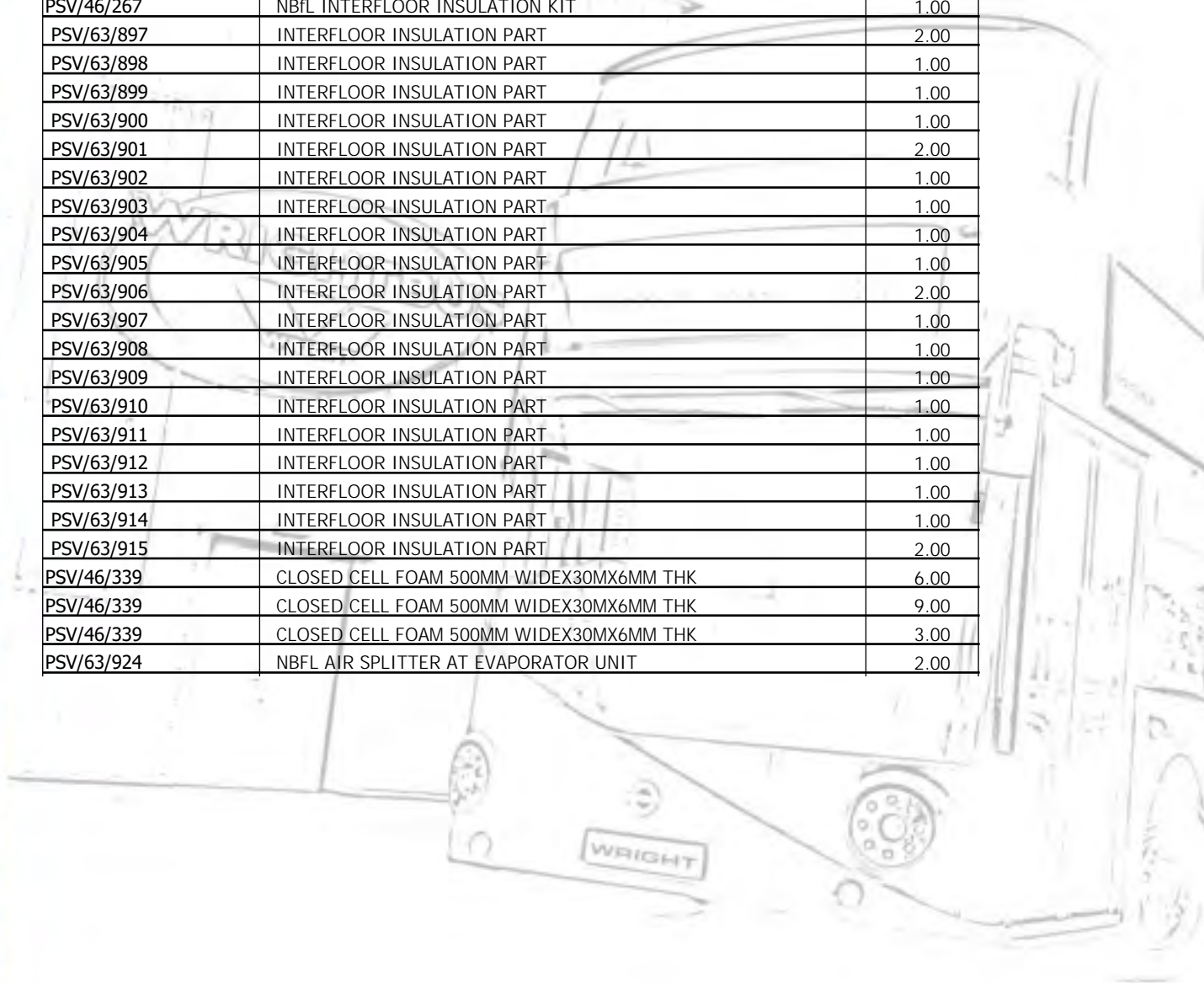


W07-00828

BODY INSULATION - BASIC ASSEMBLY



Stock Number	Description	Quantity
PSV/63/922	SIDEFAME INSULATION PART	1.00
PSV/63/923	SIDEFAME INSULATION PART	1.00
PSV/63/841	NBfL ROOF INSULATION KIT - CENTRE	1.00
PSV/63/889	ROOF FRAME INSULATION PART	1.00
PSV/63/890	ROOF FRAME INSULATION PART	2.00
PSV/63/891	ROOF FRAME INSULATION PART	1.00
PSV/63/892	ROOF FRAME INSULATION PART	1.00
PSV/63/893	ROOF FRAME INSULATION PART	1.00
PSV/63/894	ROOF FRAME INSULATION PART	1.00
PSV/63/895	ROOF FRAME INSULATION PART	1.00
PSV/63/896	ROOF FRAME INSULATION PART	1.00
PSV/63/917	ROOF FRAME INSULATION PART	1.00
PSV/46/267	NBfL INTERFLOOR INSULATION KIT	1.00
PSV/63/897	INTERFLOOR INSULATION PART	2.00
PSV/63/898	INTERFLOOR INSULATION PART	1.00
PSV/63/899	INTERFLOOR INSULATION PART	1.00
PSV/63/900	INTERFLOOR INSULATION PART	1.00
PSV/63/901	INTERFLOOR INSULATION PART	2.00
PSV/63/902	INTERFLOOR INSULATION PART	1.00
PSV/63/903	INTERFLOOR INSULATION PART	1.00
PSV/63/904	INTERFLOOR INSULATION PART	1.00
PSV/63/905	INTERFLOOR INSULATION PART	1.00
PSV/63/906	INTERFLOOR INSULATION PART	2.00
PSV/63/907	INTERFLOOR INSULATION PART	1.00
PSV/63/908	INTERFLOOR INSULATION PART	1.00
PSV/63/909	INTERFLOOR INSULATION PART	1.00
PSV/63/910	INTERFLOOR INSULATION PART	1.00
PSV/63/911	INTERFLOOR INSULATION PART	1.00
PSV/63/912	INTERFLOOR INSULATION PART	1.00
PSV/63/913	INTERFLOOR INSULATION PART	1.00
PSV/63/914	INTERFLOOR INSULATION PART	1.00
PSV/63/915	INTERFLOOR INSULATION PART	2.00
PSV/46/339	CLOSED CELL FOAM 500MM WIDEX30MX6MM THK	6.00
PSV/46/339	CLOSED CELL FOAM 500MM WIDEX30MX6MM THK	9.00
PSV/46/339	CLOSED CELL FOAM 500MM WIDEX30MX6MM THK	3.00
PSV/63/924	NBFL AIR SPLITTER AT EVAPORATOR UNIT	2.00





W07-00876

SALOON HEATING PARTS - NBFL



Stock Number	Description	Quantity
PSV/62/168	FLOOR DRAIN HOSE	2.00
PSV/60/853	35mm I/D NEO TUBE	0.13
PSV/62/288	FORMOA CRYSTAL CLEAR	0.50
PSV/15/760	INTERIOR FLOOR DRAIN OUTLET	2.00
PSV/43/350	EXTERIOR FLOOR DRAIN OUTLET	2.00
PSV/15/769	ROUND HEATING VENT	11.00
PSV/44/993	BREEZE CT HOSE CLAMP 20-32 MM	2.00
PSV/44/994	BREEZE CT HOSE CLAMP 25-40 MM	4.00
PSV/63/297	29MM P-CLIP ST/ST 15MM WIDE BAND	1.00
PSV/45/043	22mm ID REINFORCED HOISING	8.00
PSV/64/165	OFFSIDE FRONT UPPER DECK SEATRAIL	1.00
PSV/64/166	HEATER DUCT ASSEMBLY	1.00
PSV/64/167	HEATER DUCT PART	1.00
PSV/64/168	HEATER DUCT PART	1.00
PSV/64/169	HEATER DUCT PART	2.00
PSV/64/170	HEATER DUCT PART	2.00
PSV/64/173	OFFSIDE UPPER DECK SEATRAIL ASSEMBLY	1.00
PSV/43/352	M5x20 BUTTON SOCKET HD SCREW ZINC/CLEAR	10.00
PSV/63/042	CSK NUTSERT M5	10.00
PSV/64/164	OFFSIDE UPPER DECK SEATRAIL	1.00
PSV/64/172	FLOOR COVE TRAP DOOR	2.00
PSV/64/174	OFFSIDE UPPER DECK SEATRAIL ASSEMBLY	1.00
PSV/43/352	M5x20 BUTTON SOCKET HD SCREW ZINC/CLEAR	10.00
PSV/63/042	CSK NUTSERT M5	10.00
PSV/64/171	OFFSIDE UPPER DECK SEATRAIL	1.00
PSV/64/172	FLOOR COVE TRAP DOOR	2.00
PSV/64/192	INTERFLOOR DUCT ASSEMBLY	1.00
PSV/64/190	INTERFLOOR HEATER DUCT MAIN BODY	1.00
PSV/64/191	INTERFLOOR HEATER DUCT BACK	1.00
PSV/64/193	INTERFLOOR HEATER DUCT JOINING STRIP	1.00
PSV/64/194	INTERFLOOR DUCT ASSEMBLY	1.00
PSV/64/193	INTERFLOOR HEATER DUCT JOINING STRIP	1.00
PSV/64/195	INTERFLOOR HEATER DUCT MAIN BODY	1.00
PSV/64/196	INTERFLOOR HEATER DUCT BACK	1.00
PSV/64/197	INTERFLOOR DUCT ASSEMBLY	1.00
PSV/64/198	INTERFLOOR HEATER DUCT MAIN BODY	1.00
PSV/64/199	INTERFLOOR HEATER DUCT BACK	1.00
PSV/64/200	INTERFLOOR HEATER DUCT END PLATE	1.00
PSV/64/201	HEATER FLOOR COVE JOINING STRIP	1.00
PSV/50/649	I/FLOOR DRAIN PIPE ASSEMBLY KMB 09	2.00
PSV/64/232	I/FLOOR DRAIN PIPE PART KMB	1.00
PSV/64/233	I/FLOOR DRAIN PIPE PART KMB	1.00



W07-00896

NBFL AIR CHILL SYSTEM



Stock Number	Description	Quantity
PSV/62/301	AIR CHILL COMMISSIONING NBFL DOUBLEDECK	1.00
PSV/63/205	HEAVAC LOW PRESSURE SWITCH	1.00
PSV/63/206	COMPRESSOROIL PAG100 250cc	1.00
PSV/23/962	AIR-CON COMPRESSOR-POL	1.00
PSV/18/396	NBFL N/S EVAPORATOR UNIT ASSEMBLY	1.00
PSV/63/210	NBFL CONDENSER UNIT ASSEMBLY	1.00
PSV/18/397	NBFL O/S EVAPORATOR UNIT ASSEMBLY	1.00
PSV/63/213	NBFL BACKBONE LOOM (ARANEA TO EVAP.)	1.00
PSV/63/214	NBFL BACKBONE LOOM (EVAP. TO COND.)	1.00
PSV/63/216	NBFL ARANEA FRONTBOX LOOM	1.00
PSV/63/274	EVAPORATOR WATER DRAIN KIT	1.00
PSV/63/203	T-JOINT DENSO PT 017163-1790	2.00
PSV/63/215	EVAPORATOR WATER DRAIN HOSE	1.00
PSV/63/275	NBFL AIRCON PIPES & FITTINGS KIT	1.00
PSV/63/225	22mm 90 DEG ELBOW PLASTIC PUSH FITTING	23.00
PSV/63/226	22mm PLASTIC PIPE INSERT	46.00
PSV/44/970	1.5m HEP PIPE (22mm STRAIGHT)	2.00
PSV/63/273	25m HEP PIPE (22mm COILED)	1.00
PSV/63/224	22mm STRAIGHT PLASTIC PUSH FITTING	1.00
PSV/63/276	NBFL AIRCON PIPES & FITTINGS KIT	1.00
PSV/63/207	OILTRAP NR.10 STRAIGHT (CLIP) ALU CPL	1.00
PSV/63/208	BULKHEAD FITTING -Y- ALU (CLIP) CPL	1.00
PSV/63/209	B-CLIP NO.8 FEMALE 90 DEGREE ASSEMBLY	1.00
PSV/63/217	AIR-CON - OIL CATCH TANK	1.00
PSV/63/236	BCLIP SIZE 08 FEMALE O-RING 90DEG ASSEMB	1.00
PSV/63/232	O-RING D1/2 SIZE 08	1.00
PSV/63/233	BURGA CLIP NR 08	2.00
PSV/63/234	BURGA CLIP CLIP HOLDER NR 08	1.00
PSV/63/235	BCLIP SIZE 08 FEMALE O-RING 90DEG	1.00
PSV/63/241	8-8-8 AIRCON TEE WITH CLIPS	3.00
PSV/63/242	NR.10 HOSE TO NR.12 FITTING STRAIGHT	1.00
PSV/63/243	NR.8 HOSE TO NR.6 FITTING STRAIGHT	1.00
PSV/63/259	CHECKVALVE NR10	1.00
PSV/63/260	OILTRAP NR10 HOSE 3 WAY	1.00
PSV/63/261	OILTRAP NR10 HOSE	1.00
PSV/63/262	COUPLING NR8 90DEG	1.00
PSV/63/263	COUPLING NR10 HOSE NR12 TUBE	1.00
PSV/63/264	COUPLING NR10 HOSE NR6 TUBE	1.00
PSV/63/265	NR.8 HOSE TO NR.6 FITTING 90 DEG	1.00
PSV/63/266	NBFL TUBE SUCTION ASSY NS UD	1.00
PSV/63/267	NBFL ELBOW TOP DECK COVE PANEL	1.00
PSV/63/268	ELBOW NR10/10 BULKHEAD FITTING	1.00
PSV/63/269	BCLIP Nr.10 FITTING TO Nr.10 HOSE STRAIG	1.00
PSV/63/270	COUPLING NR.12 HOSE NR.12 PIPE STRAIGHT	2.00
PSV/63/271	SERVICE CHARGE VALVE ADAPTER	1.00
PSV/63/306	INSULATION TAPE ARMACELL 50x3 2.0M	1.00
PSV/63/309	FREON HOSE Nr.08 1900mm LONG	1.00
PSV/63/314	AIRCON HOSE Nr.12 3700mm LONG	1.00
PSV/63/317	AIRCON HOSE Nr.10 10700mm LONG	1.00

W07-00896

NBFL AIR CHILL SYSTEM



Stock Number	Description	Quantity
PSV/63/319	AIRCON HOSE Nr.10 650mm LONG INS & SLVD	1.00
PSV/63/320	AIRCON HOSE Nr.12 550mm LONG INS & SLVD	1.00
PSV/63/277	HEATING KIT - NBFL ROOF AIRCON PIPES	1.00
PSV/63/310	FREON HOSE Nr.08 7900mm LONG	1.00
PSV/63/311	FREON HOSE Nr.08 2100mm LONG	1.00
PSV/63/312	FREON HOSE Nr.08 8100mm LONG	1.00
PSV/63/313	AIRCON HOSE Nr.12 8000mm LONG	1.00
PSV/63/315	AIRCON HOSE Nr.10 3400mm LONG	1.00
PSV/63/316	AIRCON HOSE Nr.10 12800mm LONG	1.00
PSV/63/318	FREON HOSE Nr.08 1500mm LONG	1.00
PSV/46/339	CLOSED CELL FOAM 500MM WIDEX30MX6MM THK	15.00
PSV/64/202	NBFL CHECK VALVE MOUNTING BRACKET	1.00
PSV/50/546	NBFL ROOF PIPE DUCT SEALING PLATE	1.00
PSV/50/548	NBFL AIRCON Y CONNECTOR SUPPORT	1.00



W07-00929

HEATERS - BASIC ASSEMBLY



Stock Number	Description	Quantity
PSV/15/071	HEAVAC 2-WAY ELECTRICAL VALVE	2.00
PSV/15/002	WATER BOOST PUMP BRUSHLESS 24V	1.00
PSV/63/211	NBFL UD OS UNDERSEAT HEATER	1.00
PSV/62/021	NBFL UD NS REAR UNDERSEAT HEATER	1.00
PSV/45/043	22mm ID REINFORCED HOISING	0.50
PSV/63/843	INSUL. TUBE 28MM BLACK	5.00
PSV/64/177	NBFL UD REAR HEATER OUT TRANSFER DUCT	1.00
PSV/64/178	O/S INTERIOR HEATER PIPES SUPPORT BRKT	4.00
PSV/64/203	HEATER GROUND PLATE	2.00
PSV/51/551	TEMP SENSOR BOX	1.00

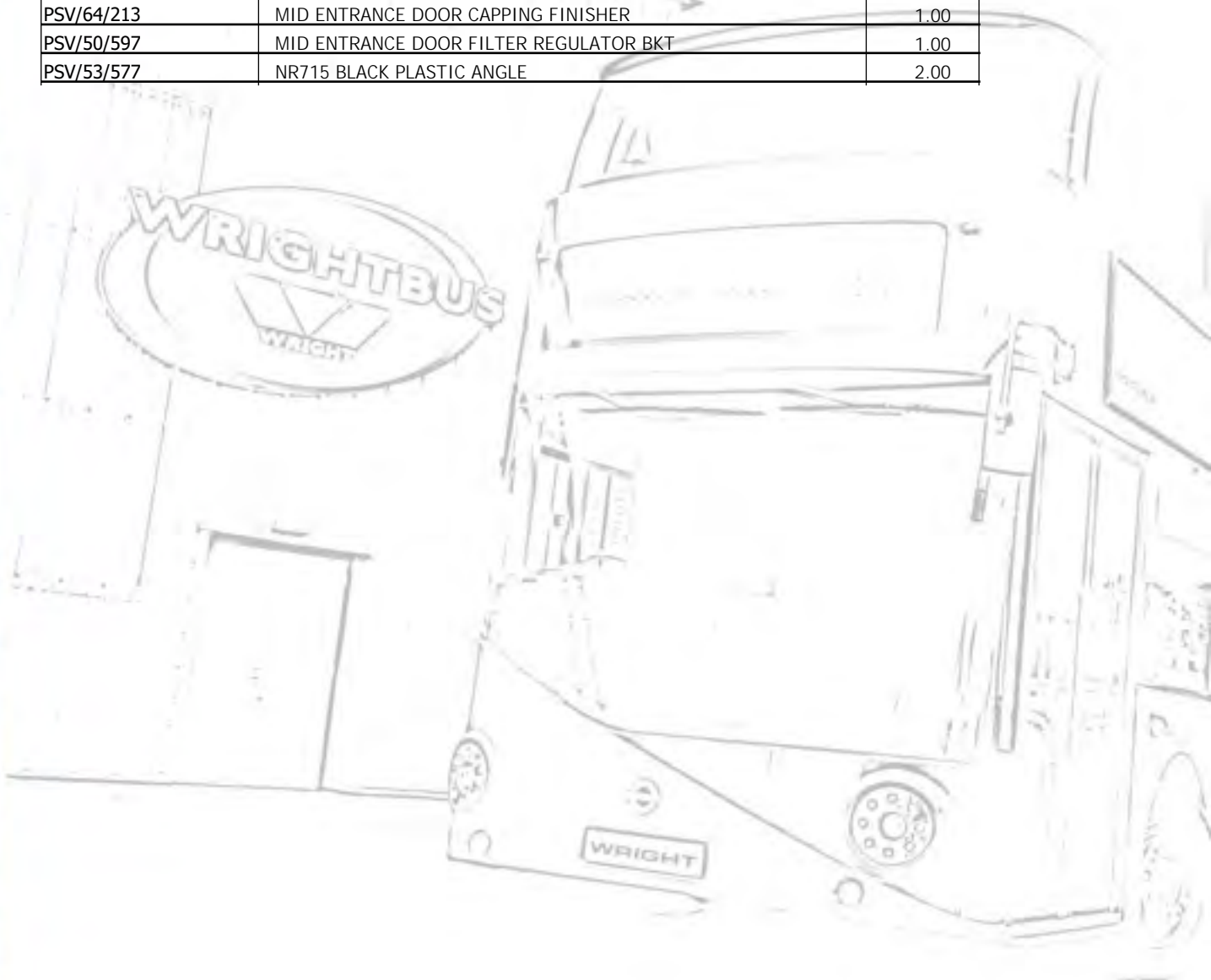


W08-00720

NBFL MID ENTRANCE DOOR ASSEMBLY



Stock Number	Description	Quantity
PSV/62/166	NBFL MID DOOR DRIP RAIL	1.00
PSV/62/309	ALUM J SPOUT 4m LONG	0.35
PSV/62/767	4MM EQUAL TEE	1.00
PSV/53/255	VENTURA FILTER REGULATOR	1.00
PSV/41/212	NBFL MID DOOR LEAVES KIT	1.00
PSV/62/783	REPLACEMENT DOOR GLASS FOR DEC-00466	2.00
PSV/41/218	DOOR FINISHING BRUSH	1.00
PSV/62/044	6MM EQUAL TEE	1.00
PSV/20/047	6mm - 4mm REDUCER - VENTURA D/D	1.00
PSV/06/762	4MM SHUTTLE VALVE (OR GATE)	1.00
PSV/62/796	NBFL MID DOOR SHELF PLATE KIT	1.00
PSV/04/024	MULTITONE BUZZER 10-28V	1.00
PSV/64/213	MID ENTRANCE DOOR CAPPING FINISHER	1.00
PSV/50/597	MID ENTRANCE DOOR FILTER REGULATOR BKT	1.00
PSV/53/577	NR715 BLACK PLASTIC ANGLE	2.00



W08-00844

DOORS - EXTERNAL ALLOY FLAPS



Stock Number	Description	Quantity
PSV/06/593	EXTERNAL BUTTON FLAP	3.00





W08-00918

NBFL REAR ENTRANCE DOOR ASSEMBLY



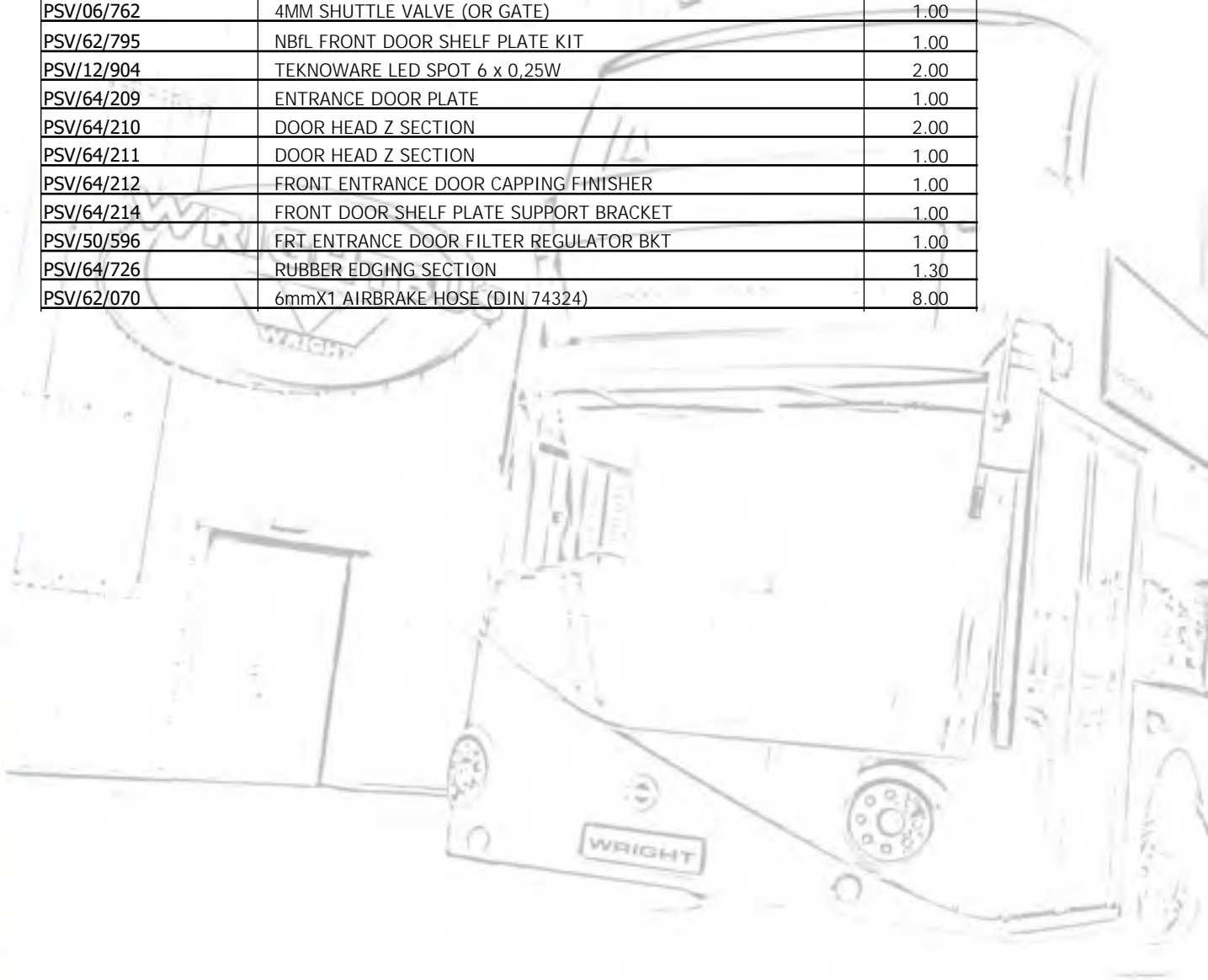
Stock Number	Description	Quantity
PSV/62/167	NBFL REAR DOOR DRIP RAIL	1.00
PSV/62/309	ALUM J SPOUT 4m LONG	0.41
PSV/62/767	4MM EQUAL TEE	3.00
PSV/53/255	VENTURA FILTER REGULATOR	1.00
PSV/62/770	NBFL REAR DOOR LEAVES KIT	1.00
PSV/62/784	REPLACEMENT DOOR GLASS FOR DEC-00467	1.00
PSV/62/785	REPLACEMENT CURVED GLASS FOR DEC-00467	1.00
PSV/41/381	RUBBER BUFFER - 1 1/2^ R	1.00
PSV/62/777	REAR DOOR PORTAL FINISH SET NBFL	1.00
PSV/62/044	6MM EQUAL TEE	1.00
PSV/20/047	6mm - 4mm REDUCER - VENTURA D/D	1.00
PSV/06/762	4MM SHUTTLE VALVE (OR GATE)	1.00
PSV/62/797	NBFL REAR DOOR SHELF PLATE KIT	1.00
PSV/04/024	MULTITONE BUZZER 10-28V	1.00
PSV/63/040	M10 x 1.5 HALF NUT ZINC & CLEAR	2.00
PSV/64/204	NBFL REAR DOOR CAPPING EXTRUSION	1.00
PSV/64/205	NBFL REAR CAPPING ATTACHMENT BRACKET	1.00
PSV/64/208	NBFL REAR CAPPING COVER PANEL ASSEMBLY	1.00
PSV/64/206	NBFL REAR CAPPING LOWER COVER PANEL	1.00
PSV/64/207	NBFL REAR CAPPING LOWER PANEL SIDE	1.00
PSV/64/215	DOOR LOCKING PLATE	1.00
PSV/64/216	NBFL REAR DOOR BOTTOM BRACKET PT1	1.00
PSV/64/218	REAR DOOR CIRCULAR SHELF PLATE INSERT	1.00
PSV/64/220	NBFL REAR DOOR CIRCULAR SHELF PLATE ASM	1.00
PSV/64/217	REAR DOOR CIRCULAR SHELF PLATE	1.00
PSV/64/219	CIRCULAR SHELF PLATE INSERT SUPPORT	2.00
PSV/64/222	REAR SHELF PLATE SUPPORT BRACKET ASM	1.00
PSV/64/223	REAR SHELF PLATE SUPPORT PLATE	1.00
PSV/64/224	REAR SHELF PLATE SUPPORT PLATE	1.00
PSV/64/225	REAR CURVED DOOR RUBBER BUFFER STRIP	1.00
PSV/64/226	REAR DOOR RECTANGULAR SHELF PLATE ASM	1.00
PSV/63/043	M6 CSK NUTSERT	3.00
PSV/64/221	REAR DOOR RECTANGULAR SHELF PLATE	1.00
PSV/64/227	NBFL REAR DOOR HEAD PIPE SUPPORT BKT	1.00
PSV/64/228	REAR DOOR SHELF PLATE SUPPORT ANGLE	1.00
PSV/64/229	REAR DOOR SHELF PLATE SUPPORT ANGLE	1.00
PSV/64/230	REAR ENTRANCE DOOR FILTER REGULATOR BKT	1.00
PSV/51/163	NBFL REAR DRIP RAIL TRIM PLATE	1.00
PSV/56/595	BLACK NATURAL RUBBER SCREW BUFFERS	1.00

W08-00977

NBFL FRONT ENTRANCE DOOR ASSEMBLY



Stock Number	Description	Quantity
PSV/62/165	NBFL FRONT DOOR DRIP RAIL	1.00
PSV/62/309	ALUM J SPOUT 4m LONG	0.34
PSV/62/375	NBFL FRONT DOOR HEAD	1.00
PSV/62/767	4MM EQUAL TEE	1.00
PSV/41/202	4mm PLUG	1.00
PSV/53/255	VENTURA FILTER REGULATOR	1.00
PSV/62/769	NBFL FRONT DOOR LEAVES KIT	1.00
PSV/62/782	REPLACEMENT LEAF GLASS FOR DEC-00465	2.00
PSV/06/336	EMERGENCY EXT. DOOR BUTTON FLAP	1.00
PSV/54/145	STAINLESS STEEL RECEPTABLE RIVET TYPE	4.00
PSV/62/776	POSITIVE FRONT DOOR SEAL NBFL	1.00
PSV/62/044	6MM EQUAL TEE	1.00
PSV/06/762	4MM SHUTTLE VALVE (OR GATE)	1.00
PSV/62/795	NBFL FRONT DOOR SHELF PLATE KIT	1.00
PSV/12/904	TEKNOWARE LED SPOT 6 x 0,25W	2.00
PSV/64/209	ENTRANCE DOOR PLATE	1.00
PSV/64/210	DOOR HEAD Z SECTION	2.00
PSV/64/211	DOOR HEAD Z SECTION	1.00
PSV/64/212	FRONT ENTRANCE DOOR CAPPING FINISHER	1.00
PSV/64/214	FRONT DOOR SHELF PLATE SUPPORT BRACKET	1.00
PSV/50/596	FRT ENTRANCE DOOR FILTER REGULATOR BKT	1.00
PSV/64/726	RUBBER EDGING SECTION	1.30
PSV/62/070	6mmX1 AIRBRAKE HOSE (DIN 74324)	8.00



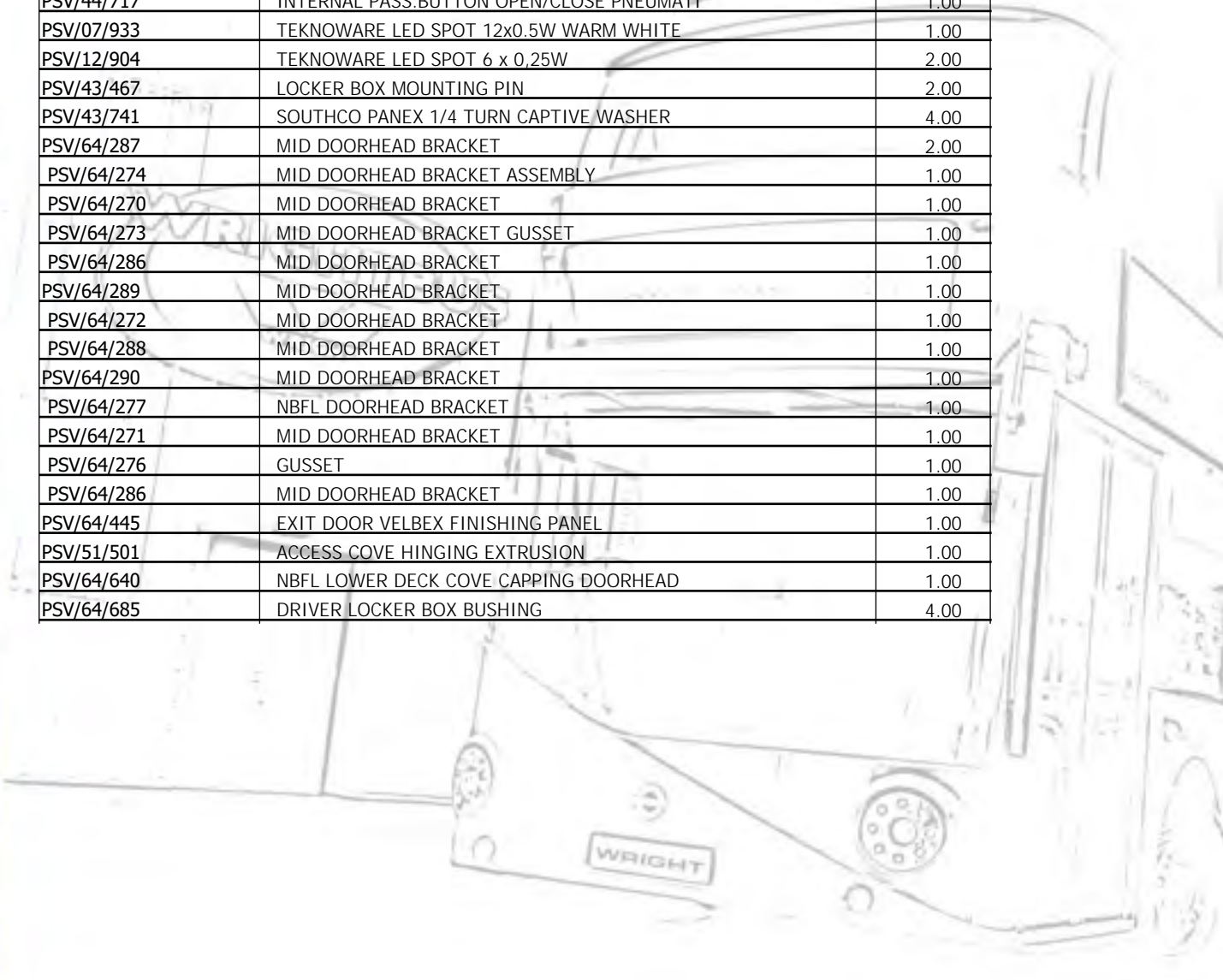


W08-00978

MID DOORHEAD COVER NBFL



Stock Number	Description	Quantity
PSV/62/294	TAPE 3M 4655F 1.5MMx19MMx33M GREY	0.05
PSV/62/411	NBFL MID DOORHEAD RAL 7044 CLASS 2	1.00
PSV/62/412	NBFL MID DOORHEAD DOOR RAL 7044 CLASS 2	1.00
PSV/62/413	NBFL MID DOORHEAD STIFFENER	1.00
PSV/62/414	NBFL MID DOORHEAD STIFFENER	1.00
PSV/06/336	EMERGENCY EXT. DOOR BUTTON FLAP	1.00
PSV/41/218	DOOR FINISHING BRUSH	1.00
PSV/41/321	6MM QUARTER TURN RIVET RECEPTACLE	4.00
PSV/41/321	6MM QUARTER TURN RIVET RECEPTACLE	2.00
PSV/41/332	SOUTHCO RETAINER D8-326-101-200	2.00
PSV/11/406	SOUTHCO PANEX 1/4 TURN FASTENER	2.00
PSV/41/336	SOUTHCO PANEX 1/4 TURN FASTENER	4.00
PSV/44/717	INTERNAL PASS.BUTTON OPEN/CLOSE PNEUMATI	1.00
PSV/07/933	TEKNOWARE LED SPOT 12x0.5W WARM WHITE	1.00
PSV/12/904	TEKNOWARE LED SPOT 6 x 0,25W	2.00
PSV/43/467	LOCKER BOX MOUNTING PIN	2.00
PSV/43/741	SOUTHCO PANEX 1/4 TURN CAPTIVE WASHER	4.00
PSV/64/287	MID DOORHEAD BRACKET	2.00
PSV/64/274	MID DOORHEAD BRACKET ASSEMBLY	1.00
PSV/64/270	MID DOORHEAD BRACKET	1.00
PSV/64/273	MID DOORHEAD BRACKET GUSSET	1.00
PSV/64/286	MID DOORHEAD BRACKET	1.00
PSV/64/289	MID DOORHEAD BRACKET	1.00
PSV/64/272	MID DOORHEAD BRACKET	1.00
PSV/64/288	MID DOORHEAD BRACKET	1.00
PSV/64/290	MID DOORHEAD BRACKET	1.00
PSV/64/277	NBFL DOORHEAD BRACKET	1.00
PSV/64/271	MID DOORHEAD BRACKET	1.00
PSV/64/276	GUSSET	1.00
PSV/64/286	MID DOORHEAD BRACKET	1.00
PSV/64/445	EXIT DOOR VELBEX FINISHING PANEL	1.00
PSV/51/501	ACCESS COVE HINGING EXTRUSION	1.00
PSV/64/640	NBFL LOWER DECK COVE CAPPING DOORHEAD	1.00
PSV/64/685	DRIVER LOCKER BOX BUSHING	4.00



W08-01003

NBFL INTERIOR / EXTERIOR DOOR BUTTONS



Stock Number	Description	Quantity
PSV/62/774	MALE TAPER STRAIGHT ADAPTOR R1/8x4mm	6.00
PSV/11/242	G1/8 IMPULSE GENERATOR	3.00
PSV/44/717	INTERNAL PASS.BUTTON OPEN/CLOSE PNEUMATI	2.00
PSV/62/778	EXTERNAL EMERGENCY BUTTON COVER	3.00
PSV/06/044	EXTERNAL EMERGENCY BUTTON YELLOW	3.00
PSV/50/595	EXTERNAL DOOR BUTTON PACKER	3.00

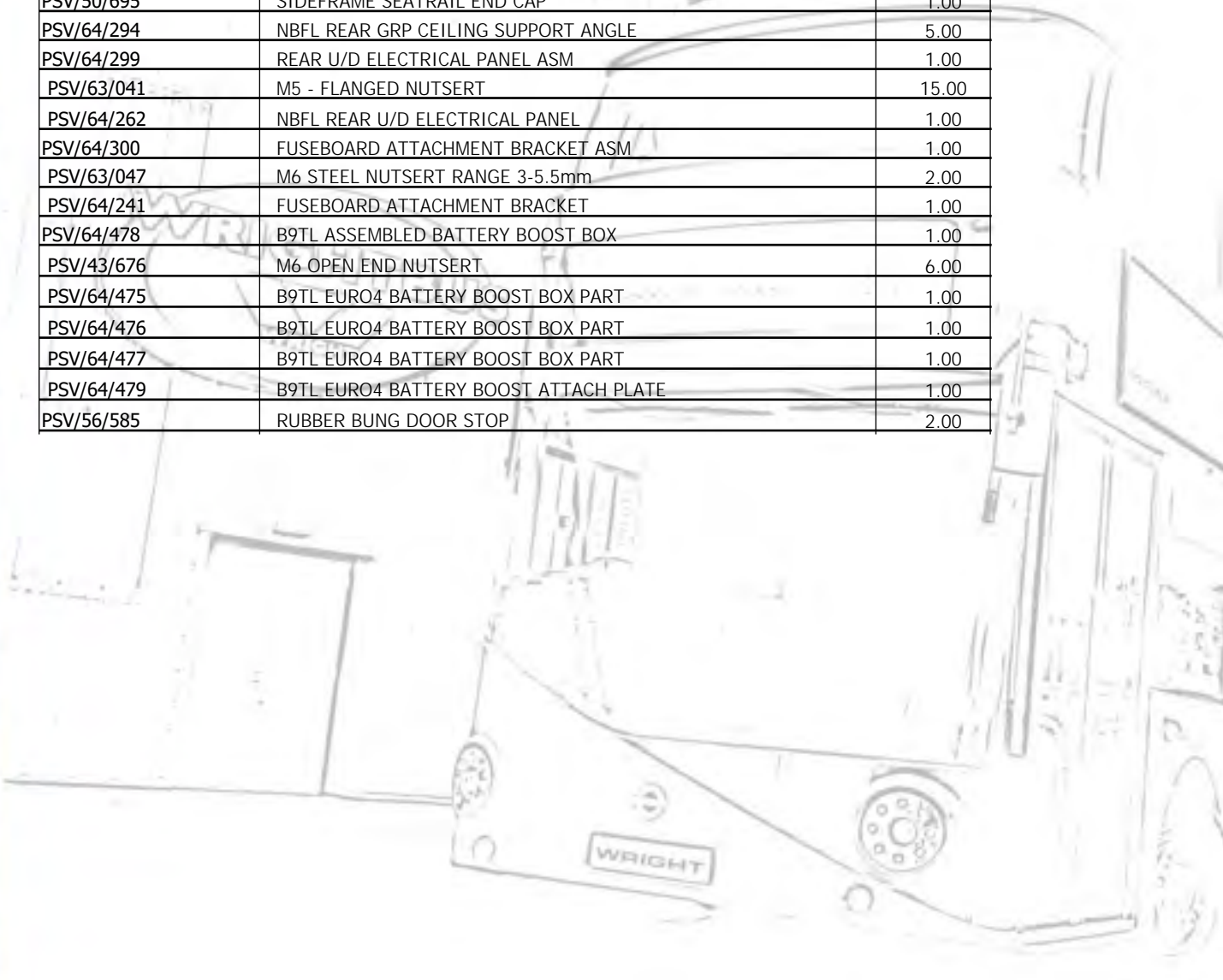


W09-00884

FLOOR - COMMON PARTS



Stock Number	Description	Quantity
PSV/62/148	700mm @ 40x20mm ALLOY SECTION	2.00
PSV/62/033	SEATRAIL SECTION 40x20 (5.5M)	0.13
PSV/62/243	NBFL FRONT ELECTRICAL PANEL	1.00
PSV/62/244	NBFL FRONT ELECTRICAL PANEL	1.00
PSV/36/967	NBFL CHASSIS BACK PLATE FOR DC-DC BOX	1.00
PSV/62/245	NBFL CHASSIS BACK PLATE FOR DC-DC BOX	1.00
PSV/54/134	FUEL FILLER FLAP - SMALL	1.00
PSV/50/686	CAB FLOOR SEALING PLATE	1.00
PSV/50/687	CAB FLOOR SEALING PLATE	1.00
PSV/64/242	FUSEBOARD ATTACHMENT PLATE	1.00
PSV/50/694	ELECTRICAL PANEL SUPPORT BRACKET	2.00
PSV/64/268	NBFL REAR SEATBOX REAR SUPPORT	1.00
PSV/50/695	SIDEFAME SEATRAIL END CAP	1.00
PSV/64/294	NBFL REAR GRP CEILING SUPPORT ANGLE	5.00
PSV/64/299	REAR U/D ELECTRICAL PANEL ASM	1.00
PSV/63/041	M5 - FLANGED NUTSERT	15.00
PSV/64/262	NBFL REAR U/D ELECTRICAL PANEL	1.00
PSV/64/300	FUSEBOARD ATTACHMENT BRACKET ASM	1.00
PSV/63/047	M6 STEEL NUTSERT RANGE 3-5.5mm	2.00
PSV/64/241	FUSEBOARD ATTACHMENT BRACKET	1.00
PSV/64/478	B9TL ASSEMBLED BATTERY BOOST BOX	1.00
PSV/43/676	M6 OPEN END NUTSERT	6.00
PSV/64/475	B9TL EURO4 BATTERY BOOST BOX PART	1.00
PSV/64/476	B9TL EURO4 BATTERY BOOST BOX PART	1.00
PSV/64/477	B9TL EURO4 BATTERY BOOST BOX PART	1.00
PSV/64/479	B9TL EURO4 BATTERY BOOST ATTACH PLATE	1.00
PSV/56/585	RUBBER BUNG DOOR STOP	2.00



W09-01011

FLOORING - NBFL INCLUDING SPACEAGE



Stock Number	Description	Quantity
PSV/43/362	M5x20 CSK SOCKET SCREW Z+B	11.00
PSV/64/261	PLYWOOD FLOOR PACKER PLATE	1.00
PSV/64/278	REAR WHEELARCH INFILL PACKER PLATE	1.00
PSV/64/293	TRAP DOOR ASSY - MID DOOR	1.00
PSV/64/291	MID DOOR TRAP DOOR PART	1.00
PSV/64/292	MID DOOR TRAP DOOR PART	1.00
PSV/56/591	30X10X3MM RUBBER FLOOR SPACER	150.00
PSV/64/756	NBFL LD COMPOSITE FLOOR KIT	1.00
PSV/64/757	12mm PLYWOOD FLOOR HIGH DURABILITY	1.00
PSV/64/758	15mm PLYWOOD FLOOR CLASS 1	1.00
PSV/64/759	NBFL INTERFLOOR STD BUSFLOOR	1.00





W09-01114

NBFL INTERFLOOR - BASIC ASSEMBLY



Stock Number	Description	Quantity
PSV/62/169	INTERFLOOR LATTICE	1.00
PSV/38/252	MILL.EXT.BOX 80x50 ECO SECTION 7.20M	0.30
PSV/62/170	INTERFLOOR STRINGER	1.00
PSV/38/252	MILL.EXT.BOX 80x50 ECO SECTION 7.20M	0.30
PSV/62/171	INTERFLOOR STRINGER	1.00
PSV/11/151	ALUM 60X40 ECO SECT 6.8M LENGTH	0.32
PSV/62/172	INTERFLOOR STRINGER	1.00
PSV/38/252	MILL.EXT.BOX 80x50 ECO SECTION 7.20M	0.20
PSV/62/173	INTERFLOOR STRINGER	1.00
PSV/11/156	ALUM BOX 80 x 40 (7.7M)	0.21
PSV/62/174	INTERFLOOR STRINGER	1.00
PSV/38/252	MILL.EXT.BOX 80x50 ECO SECTION 7.20M	0.08
PSV/62/175	INTERFLOOR ROOFSTICK	2.00
PSV/38/252	MILL.EXT.BOX 80x50 ECO SECTION 7.20M	0.16
PSV/62/176	D/DECK INTERFLOOR ROOFSTICK	3.00
PSV/38/252	MILL.EXT.BOX 80x50 ECO SECTION 7.20M	0.28
PSV/62/177	INTERFLOOR STRINGER @ 348mm	1.00
PSV/38/252	MILL.EXT.BOX 80x50 ECO SECTION 7.20M	0.03
PSV/62/178	INTERFLOOR STRINGER	1.00
PSV/11/151	ALUM 60X40 ECO SECT 6.8M LENGTH	0.09
PSV/62/179	40x40 Alloy box @ 280mm	1.00
PSV/11/151	ALUM 60X40 ECO SECT 6.8M LENGTH	0.04
PSV/62/180	60x40 INTERFLOOR STRINGER	1.00
PSV/38/252	MILL.EXT.BOX 80x50 ECO SECTION 7.20M	0.14
PSV/62/181	120x40 Alloy box	1.00
PSV/11/151	ALUM 60X40 ECO SECT 6.8M LENGTH	0.01
PSV/62/182	80x40 Alloy stringer	1.00
PSV/11/156	ALUM BOX 80 x 40 (7.7M)	0.04
PSV/62/183	60x40 Box @ 423mm	1.00
PSV/11/151	ALUM 60X40 ECO SECT 6.8M LENGTH	0.06
PSV/62/184	SHELFPLATE SUPPORT	1.00
PSV/11/156	ALUM BOX 80 x 40 (7.7M)	0.03
PSV/62/185	HANDPOLE EXTRUSION SUPPORT BRACKET	1.00
PSV/37/859	ALUM ANGLE 51x51x3mm (5M)	0.02
PSV/62/186	NBFL INTERFLOOR CABLE SUPPORT ANGLE 1	1.00
PSV/62/303	ALUM ANGLE 32x32x3mm (5M)	0.36
PSV/62/187	NBFL INTERFLOOR CABLE SUPPORT ANGLE 2	1.00
PSV/62/303	ALUM ANGLE 32x32x3mm (5M)	0.69
PSV/62/188	INTERFLOOR STICK	1.00
PSV/38/252	MILL.EXT.BOX 80x50 ECO SECTION 7.20M	0.33
PSV/62/189	INTERFLOOR STICK	1.00
PSV/38/252	MILL.EXT.BOX 80x50 ECO SECTION 7.20M	0.33
PSV/62/190	SUPPORT ANGLE FOR MID DOOR HEAD COVER	1.00
PSV/62/306	ALUM ANGLE 38x38x3mm (5M)	0.05
PSV/62/191	SUPPORT ANGLE FOR MID DOOR HEAD COVER	1.00
PSV/62/307	ALUM ANGLE 25x25x3mm (5M)	0.26
PSV/62/193	INTERFLOOR STRINGER	1.00
PSV/11/156	ALUM BOX 80 x 40 (7.7M)	0.05



W09-01114

NBFL INTERFLOOR - BASIC ASSEMBLY



Stock Number	Description	Quantity
PSV/62/194	INTERFLOOR STICK	6.00
PSV/38/252	MILL.EXT.BOX 80x50 ECO SECTION 7.20M	0.33
PSV/62/195	INTERFLOOR STICK	3.00
PSV/38/252	MILL.EXT.BOX 80x50 ECO SECTION 7.20M	0.33
PSV/62/198	INTERFLOOR STRINGER	4.00
PSV/62/451	DD I/FLOOR ECO SEAT GRD. 3.9M LENGTH	0.18
PSV/62/199	INTERFLOOR STRINGER	2.00
PSV/62/451	DD I/FLOOR ECO SEAT GRD. 3.9M LENGTH	0.12
PSV/62/200	INTERFLOOR STRINGER	2.00
PSV/62/451	DD I/FLOOR ECO SEAT GRD. 3.9M LENGTH	0.17
PSV/62/201	INTERFLOOR STRINGER	6.00
PSV/62/451	DD I/FLOOR ECO SEAT GRD. 3.9M LENGTH	0.12
PSV/62/202	INTERFLOOR STRINGER	2.00
PSV/62/451	DD I/FLOOR ECO SEAT GRD. 3.9M LENGTH	0.15
PSV/62/203	INTERFLOOR STRINGER	2.00
PSV/62/451	DD I/FLOOR ECO SEAT GRD. 3.9M LENGTH	0.18
PSV/62/204	INTERFLOOR STRINGER	1.00
PSV/62/451	DD I/FLOOR ECO SEAT GRD. 3.9M LENGTH	0.14
PSV/62/205	INTERFLOOR STRINGER	1.00
PSV/62/451	DD I/FLOOR ECO SEAT GRD. 3.9M LENGTH	0.10
PSV/62/206	INTERFLOOR STRINGER	1.00
PSV/62/451	DD I/FLOOR ECO SEAT GRD. 3.9M LENGTH	0.16
PSV/62/207	INTERFLOOR STRINGER	1.00
PSV/62/451	DD I/FLOOR ECO SEAT GRD. 3.9M LENGTH	0.07
PSV/36/132	4 HOLE PILLAR PACKER - 43mm PITCH	17.00
PSV/62/417	U/D MID DOORHEAD COVER NBFL	1.00
PSV/12/979	4 BOLT CORNER ASSEMBLY (STANDARD)	58.00
PSV/54/064	M8X15 TORX BUTTON SCREW PATCHED	4.00
PSV/54/063	ALUM ACCESSORY TOGGLE M8	4.00
PSV/38/238	4 BOLT CORNER	1.00
PSV/13/360	2 BOLT CORNER ASSEMBLY (STANDARD)	2.00
PSV/38/237	2 BOLT CORNER	1.00
PSV/54/064	M8X15 TORX BUTTON SCREW PATCHED	2.00
PSV/54/063	ALUM ACCESSORY TOGGLE M8	2.00
PSV/38/267	6 BOLT DOUBLE CORNER ASSEMBLY	2.00
PSV/54/064	M8X15 TORX BUTTON SCREW PATCHED	6.00
PSV/54/063	ALUM ACCESSORY TOGGLE M8	6.00
PSV/63/968	DOUBLE CORNER BRACKET	1.00
PSV/38/268	4 BOLT HEAVY DUTY CORNER ASSEMBLY	28.00
PSV/38/241	ALUM ACCSY 6 BOLT HEAVY DUTY CORNER	1.00
PSV/11/197	M10x20 DURLOCK BOLT PATCHED	4.00
PSV/49/954	PILLAR PACKER TOGGLE - M10	4.00
PSV/64/128	NBFL INTERFLOOR ENDPLATE L/H	9.00
PSV/64/129	NBFL INTERFLOOR ENDPLATE R/H	8.00
PSV/50/639	SEAT GROUND - 75x40x40x5mm M.S. ANG	1.00
PSV/64/235	STAIRCASE STEP CHANNEL	1.00
PSV/64/236	STAIRCASE ATTACHMENT	1.00
PSV/50/675	HANDPOLE EXTRUSION	1.00



W09-01114

NBFL INTERFLOOR - BASIC ASSEMBLY

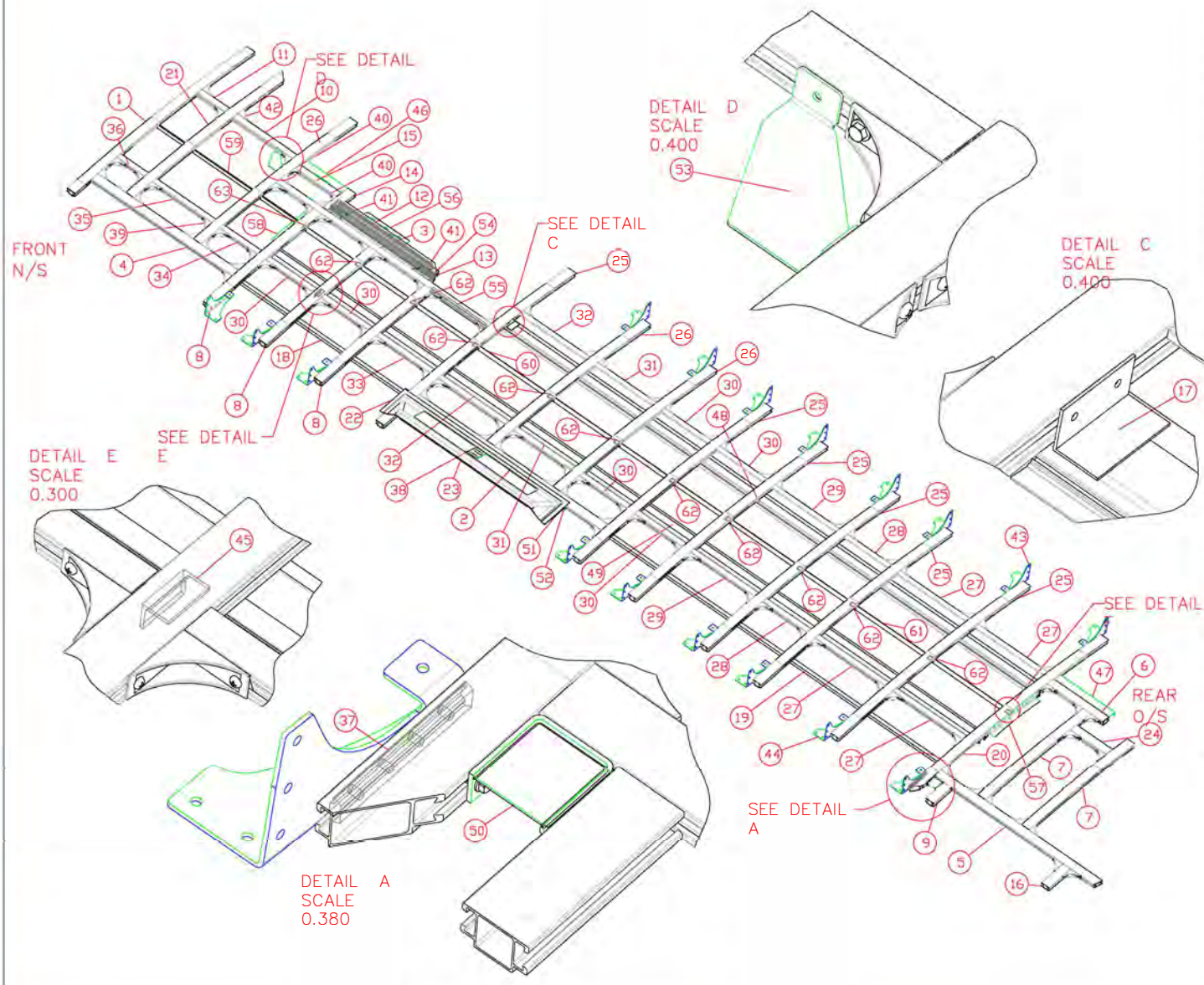


Stock Number	Description	Quantity
PSV/50/676	HANDPOLE EXTRUSION	1.00
PSV/64/244	INTERFLOOR ATTACHMENT TUB ASSEMBLY	1.00
PSV/11/197	M10x20 DURLOCK BOLT PATCHED	6.00
PSV/49/954	PILLAR PACKER TOGGLE - M10	6.00
PSV/64/245	INTERFLOOR ATTACHMENT TUB	1.00
PSV/64/246	INTERFLOOR ATTACHMENT TUB GUSSET	1.00
PSV/50/688	SUPPORT PLATE FOR MID DOOR HEAD COVER	1.00
PSV/64/247	SUPPORT PLATE PACKER	1.00
PSV/64/263	GROUND FOR CAB DOOR POST	1.00
PSV/50/696	HANDPOLE EXTRUSION	1.00
PSV/50/697	ROOF LINING SUPPORT	1.00
PSV/50/698	ROOF COVE SUPPORT	1.00
PSV/64/279	NBFL REAR ROOF SUPPORT	1.00
PSV/64/281	NBFL FRONT L/D BULKHEAD SUPPORT ANGLE	1.00
PSV/64/283	CENTRE ROOF BONDING RAIL	1.00
PSV/64/284	CENTRE ROOF BONDING RAIL	1.00
PSV/64/285	CENTRE ROOF BONDING RAIL	1.00
PSV/64/687	INTERIOR ROOF SUPPORT ANGLES PACKER	11.00
PSV/64/689	INTERIOR ROOF SUPPORT ANGLES PACKER	1.00



FLOOR - INTERFLOOR ASSEMBLY

W09-01114



Index	Part Number	Description	Qty
1	09M-03253	DECKER INTERFLOOR LATTICE	1
2	09M-03254	Interfloor stringer	1
3	09M-03255	Interfloor stringer	1
4	09M-03256	Interfloor stringer	1
5	09M-03257	Interfloor stringer	1
6	09M-03258	Interfloor stringer	1
7	09M-03259	DECKER INTERFLOOR LATTICE	2
8	09M-03288	DECKER INTERFLOOR LATTICE	3
9	09M-03318	Interfloor stringer	1
10	09M-03337	Interfloor stringer	1
11	09M-03341	Interfloor stringer	1
12	09M-03345	80x50mm nn Horizontal window stringer	1
13	09M-03346	60x40mm nn Horizontal window stringer	1
14	09M-03347	80 x 40nn Alloy stringer	1
15	09M-03382	Interfloor stringer	1
16	09M-03474	SHELFPLATE SUPPORT	1
17	09M-03541	HANDPOLE RAIL SUPPORT BRACKET	1
18	09M-03550	NBFL INTERFLOOR CABLE SUPPORT ANGLE 1	1
19	09M-03551	NBFL INTERFLOOR CABLE SUPPORT ANGLE 2	1
20	09M-03575	INTERFLOOR STICK	1
21	09M-03576	INTERFLOOR STICK	1
22	09M-03594	SUPPORT ANGLE FOR MID DOOR HEAD COVER	1
23	09M-03597	SUPPORT ANGLE FOR MID DOOR HEAD COVER	1
24	09M-03653	INTERFLOOR STRINGER	1
25	09M-03745	INTERFLOOR STICK	6
26	09M-03746	INTERFLOOR STICK	3
27	09M-03967	INTERFLOOR STRINGER	4
28	09M-03968	INTERFLOOR STRINGER	2
29	09M-03969	INTERFLOOR STRINGER	2
30	09M-03970	INTERFLOOR STRINGER	6
31	09M-03971	INTERFLOOR STRINGER	2
32	09M-03972	INTERFLOOR STRINGER	2
33	09M-03973	INTERFLOOR STRINGER	1
34	09M-03974	INTERFLOOR STRINGER	1
35	09M-03975	INTERFLOOR STRINGER	1
36	09M-03976	INTERFLOOR STRINGER	1
37	A06-00259	4 HOLE PILLAR PACKER - 43mm PITCH	17
38	ATP-05178	U/B MID DOORHEAD COVER NBFL	1
39	ALK-00001	4 BOLT CORNER ASSY	58
40	ALK-00003	2 BOLT CORNER ASSY	2
41	ALK-00013	6 BOLT PAN CORNER ASSY	2
42	ALK-00014	4 BOLT HEAVY DUTY CORNER ASSY	28
43	M06-01723	NBFL INTERFLOOR ENDOPLATE L/H	9
44	M06-01724	NBFL INTERFLOOR ENDOPLATE R/H	8
45	M09-01006	SEAT GROUND	1
46	M09-03344	STAIRCASE STEP SUPPORT CHANNEL	1
47	M09-03383	STAIRCASE STEP SUPPORT CHANNEL	1
48	M09-03483	HANDPOLE EXTRUSION	1
49	M09-03484	HANDPOLE EXTRUSION	1
50	M09-03571	INTERFLOOR ATTACHMENT TUB ASSEMBLY	1
51	M09-03595	SUPPORT PLATE FOR MID DOOR HEAD COVER	1
52	M09-03596	SUPPORT PLATE PACKER	1
53	M09-03630	GROUND FOR CAB DOOR POST	1
54	M09-03662	HANDPOLE EXTRUSION	1
55	M09-03665	ROOF LINING SUPPORT	1
56	M09-03666	ROOF COVE SUPPORT	1
57	M09-03724	NBFL REAR ROOF SUPPORT	1
58	M09-03747	NBFL FRONT L/D BULKHEAD SUPPORT ANGLE	1
59	M09-03750	CENTRE ROOF BONDING RAIL	1
60	M09-03753	CENTRE ROOF BONDING RAIL	1
61	M09-03754	CENTRE ROOF BONDING RAIL	1
62	PLA-00914	INTERIOR ROOF SUPPORT ANGLES PACKER	11
63	PLA-00959	INTERIOR ROOF SUPPORT ANGLES PACKER	1



W09-01192
FLOOR - FIBREGLASS

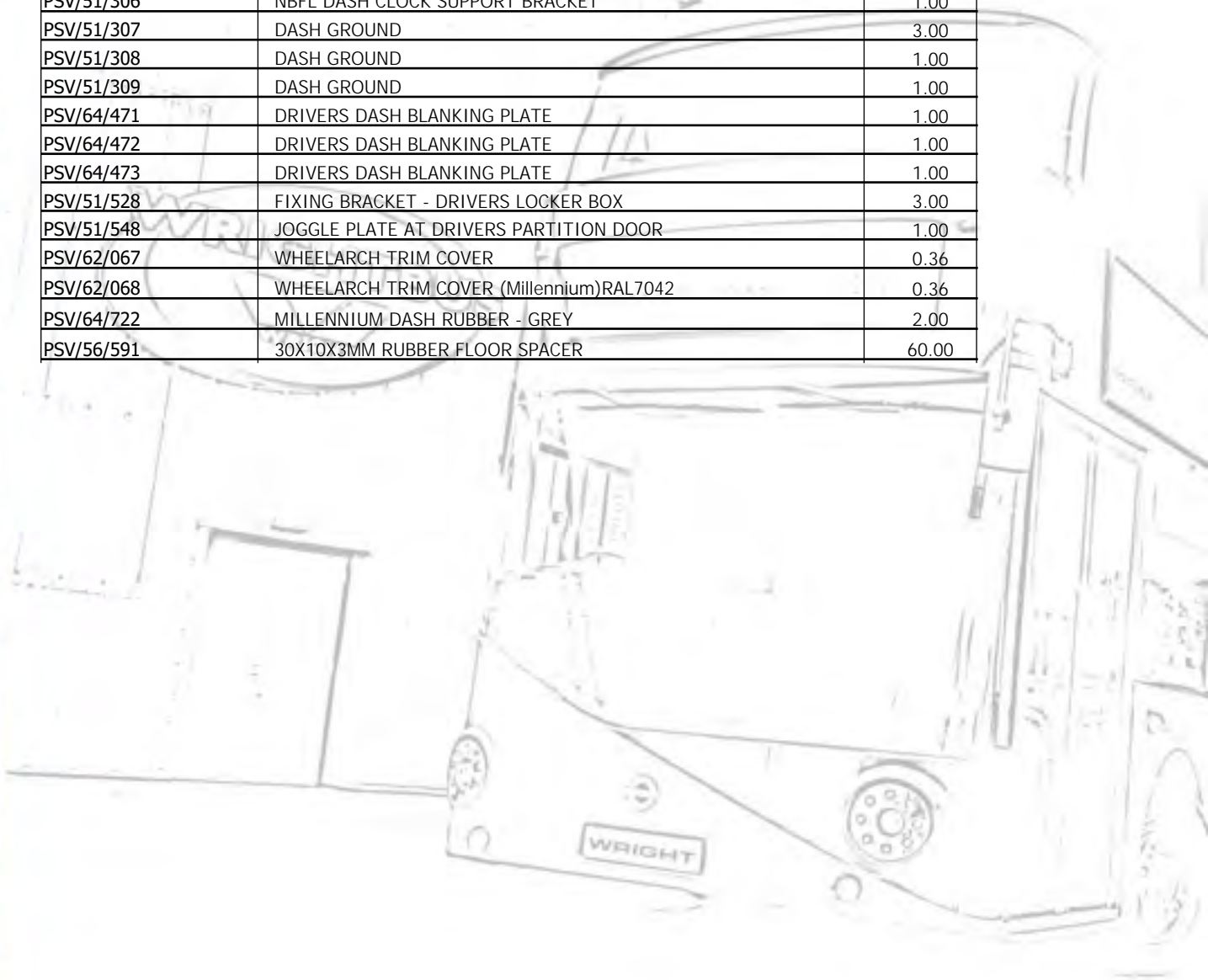


Stock Number	Description	Quantity
PSV/62/196	NBFL DRIVERS PARTITION SUPPORT ANGLE	1.00
PSV/62/302	ALUM ANGLE 51x25x3mm (5M)	0.06
PSV/62/197	NBFL DRIVERS PARTITION SUPPORT ANGLE	1.00
PSV/62/302	ALUM ANGLE 51x25x3mm (5M)	0.19
PSV/62/208	NBFL DRIVERS PARTITION SUPPORT ANGLE	1.00
PSV/62/302	ALUM ANGLE 51x25x3mm (5M)	0.10
PSV/62/289	FORMOA SEALER RAL 3005	2.00
PSV/62/289	FORMOA SEALER RAL 3005	2.00
PSV/62/289	FORMOA SEALER RAL 3005	2.00
PSV/62/290	SEALER TO SUIT RAL 7016	0.50
PSV/38/184	CAB FLOOR AND CONSOLE NBFL	1.00
PSV/62/322	DRIVERS DASH - NBFL CLASS 2	1.00
PSV/62/323	NBFL FRONT WHEELARCH NEAR SIDE CLASS 2	1.00
PSV/62/326	SIDE CONSOLE DOOR NBFL	1.00
PSV/62/327	DRIVERS PARTITION NBFL	1.00
PSV/62/328	NBFL DRIVERS PARTITION ACCESS DOOR	1.00
PSV/62/329	NBFL DRIVERS PEDESTAL	1.00
PSV/62/330	NBFL DRIVERS LOCKER BOX	1.00
PSV/62/331	NBFL DASH HOOD	1.00
PSV/62/032	NBFL REAR WHEELARCH INFILL	1.00
PSV/62/479	NBFL UNDER STAIR SEALING PANEL	1.00
PSV/62/480	NBFL UNDER STAIR SEALING PANEL	1.00
PSV/38/442	NBFL UNDER STAIR SEALING PANEL	1.00
PSV/54/145	STAINLESS STEEL RECEPTABLE RIVET TYPE	7.00
PSV/21/127	SOUTHCO FAST LEAD TOOLHEAD SCREW	7.00
PSV/62/972	M6X30 A4 SOCKET B/TON SSTEEL ISO7380	2.00
PSV/43/362	M5x20 CSK SOCKET SCREW Z+B	45.00
PSV/62/993	NBFL REAR W/ARCH NS	1.00
PSV/62/324	BNfL REAR WHEELARCH NEAR SIDE	1.00
PSV/64/248	NBFL TRAP DOOR BACKING PLATE	1.00
PSV/64/250	NBFL TRAP DOOR BACKING PLATE	1.00
PSV/64/253	NBFL TRAP DOOR BACKING PLATE	2.00
PSV/64/258	NBFL TRAP DOOR BACKING PLATE	1.00
PSV/62/994	NBFL REAR W/ARCH OS	1.00
PSV/62/325	BNfL REAR WHEELARCH OFF SIDE	1.00
PSV/64/251	NBFL TRAP DOOR BACKING PLATE	1.00
PSV/64/252	NBFL TRAP DOOR BACKING PLATE	2.00
PSV/64/254	NBFL TRAP DOOR BACKING PLATE	1.00
PSV/64/256	NBFL TRAP DOOR BACKING PLATE	1.00
PSV/62/996	BELTRAIL AND PLENUM FIBREGLASS ASSEMBLY	1.00
PSV/62/332	BATTERY COOLER FILTER ACCESS SURROUND	1.00
PSV/62/333	BATTERY COOLER FILTER ACCESS DOOR	1.00
PSV/62/334	DASH BELT RAIL- NBFL	1.00
PSV/62/335	DASH PLENUM CHAMBER	1.00
PSV/54/145	STAINLESS STEEL RECEPTABLE RIVET TYPE	2.00
PSV/21/127	SOUTHCO FAST LEAD TOOLHEAD SCREW	2.00
PSV/63/050	1/8x1/2in.L/R DOME POP	4.00
PSV/50/689	NBFL WHEELARCH TRAP DOOR	2.00
PSV/64/249	NBFL WHEELARCH TRAP DOOR	1.00

W09-01192
FLOOR - FIBREGLASS

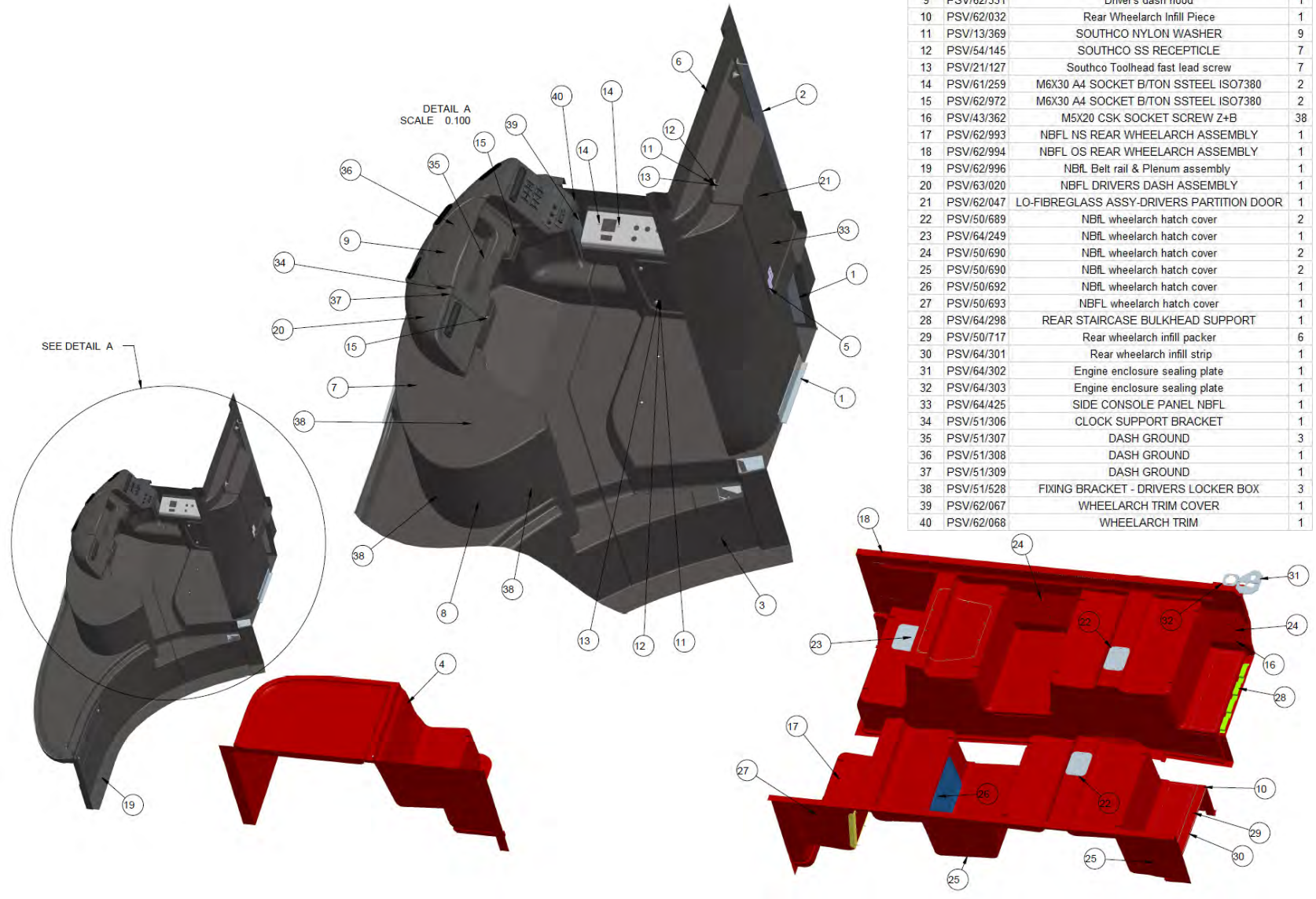


Stock Number	Description	Quantity
PSV/50/690	NBFL WHEELARCH TRAP DOOR	2.00
PSV/50/691	NBFL WHEELARCH TRAP DOOR	2.00
PSV/50/692	NBFL WHEELARCH TRAP DOOR	1.00
PSV/64/259	NBFL TRAP DOOR BACKING PLATE	1.00
PSV/64/260	NBFL TRAP DOOR BACKING PLATE	1.00
PSV/50/693	NBFL WHEELARCH TRAP DOOR	1.00
PSV/64/298	REAR STAIRCASE BULKHEAD SUPPORT	1.00
PSV/50/717	REAR WHEELARCH INFILL STRIP SUPPORT	6.00
PSV/64/301	REAR WHEELARCH INFILL STRIP	1.00
PSV/64/302	NBFL ENGINE ENCLOSURE TOP SEAL PLATE	1.00
PSV/64/303	NBFL ENGINE ENCLOSURE TOP SEAL PLATE	1.00
PSV/64/425	SIDE CONSOLE PANEL NBFL	1.00
PSV/51/306	NBFL DASH CLOCK SUPPORT BRACKET	1.00
PSV/51/307	DASH GROUND	3.00
PSV/51/308	DASH GROUND	1.00
PSV/51/309	DASH GROUND	1.00
PSV/64/471	DRIVERS DASH BLANKING PLATE	1.00
PSV/64/472	DRIVERS DASH BLANKING PLATE	1.00
PSV/64/473	DRIVERS DASH BLANKING PLATE	1.00
PSV/51/528	FIXING BRACKET - DRIVERS LOCKER BOX	3.00
PSV/51/548	JOGGLE PLATE AT DRIVERS PARTITION DOOR	1.00
PSV/62/067	WHEELARCH TRIM COVER	0.36
PSV/62/068	WHEELARCH TRIM COVER (Millennium)RAL7042	0.36
PSV/64/722	MILLENNIUM DASH RUBBER - GREY	2.00
PSV/56/591	30X10X3MM RUBBER FLOOR SPACER	60.00



W09-01192
FLOOR - FIBREGLASS

Index	PSV Ref	Description	Qty
1	PSV/62/196	DRIVERS PARTITION SUPPORT	2
2	PSV/62/197	DRIVERS PARTITION SUPPORT	1
3	PSV/38/184	CAB FLOOR AND CONSOLE NBFL	1
4	PSV/62/323	Near Side front wheelarch	1
5	PSV/62/326	SIDE CONSOLE DOOR NBFL	1
6	PSV/62/327	Drivers partition	1
7	PSV/62/329	NBFL DRIVERS PEDESTAL	1
8	PSV/62/330	NBFL DRIVERS LOCKER BOX	1
9	PSV/62/331	Driver's dash hood	1
10	PSV/62/032	Rear Wheelarch Infill Piece	1
11	PSV/13/369	SOUTHCO NYLON WASHER	9
12	PSV/54/145	SOUTHCO SS RECEPTICLE	7
13	PSV/21/127	Southco Toolhead fast lead screw	7
14	PSV/61/259	M6X30 A4 SOCKET B/TON SSTEEL ISO7380	2
15	PSV/62/972	M6X30 A4 SOCKET B/TON SSTEEL ISO7380	2
16	PSV/43/362	M5X20 CSK SOCKET SCREW Z+B	38
17	PSV/62/993	NBFL NS REAR WHEELARCH ASSEMBLY	1
18	PSV/62/994	NBFL OS REAR WHEELARCH ASSEMBLY	1
19	PSV/62/996	NBFL Belt rail & Plenum assembly	1
20	PSV/63/020	NBFL DRIVERS DASH ASSEMBLY	1
21	PSV/62/047	LO-FIBREGLASS ASSY-DRIVERS PARTITION DOOR	1
22	PSV/50/689	NBFL wheelarch hatch cover	2
23	PSV/64/249	NBFL wheelarch hatch cover	1
24	PSV/50/690	NBFL wheelarch hatch cover	2
25	PSV/50/690	NBFL wheelarch hatch cover	2
26	PSV/50/692	NBFL wheelarch hatch cover	1
27	PSV/50/693	NBFL wheelarch hatch cover	1
28	PSV/64/298	REAR STAIRCASE BULKHEAD SUPPORT	1
29	PSV/50/717	Rear wheelarch infill packer	6
30	PSV/64/301	Rear wheelarch infill strip	1
31	PSV/64/302	Engine enclosure sealing plate	1
32	PSV/64/303	Engine enclosure sealing plate	1
33	PSV/64/425	SIDE CONSOLE PANEL NBFL	1
34	PSV/51/306	CLOCK SUPPORT BRACKET	1
35	PSV/51/307	DASH GROUND	3
36	PSV/51/308	DASH GROUND	1
37	PSV/51/309	DASH GROUND	1
38	PSV/51/528	FIXING BRACKET - DRIVERS LOCKER BOX	3
39	PSV/62/067	WHEELARCH TRIM COVER	1
40	PSV/62/068	WHEELARCH TRIM	1



W10-00399

NBFL N/S BRANCH DEFLECTOR

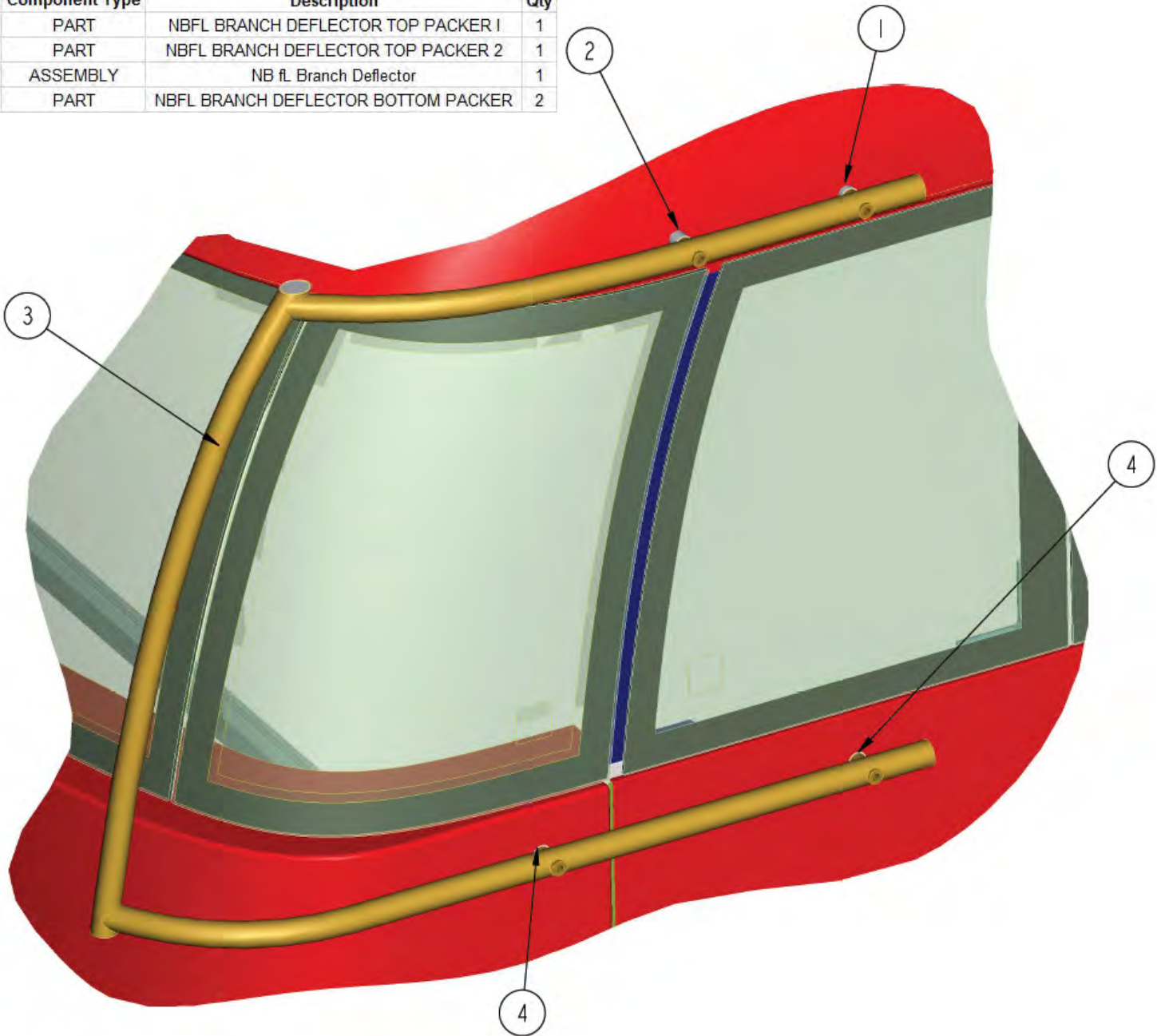


Stock Number	Description	Quantity
PSV/62/982	M10x80 HEX FLANGED BOLT G8.8 COARSE	4.00
PSV/50/841	NBFL BRANCH DEFLECTOR TOP PACKER 1	1.00
PSV/50/842	NBFL BRANCH DEFLECTOR TOP PACKER 2	1.00
PSV/58/070	NBFL N/S BRANCH DEFLECTOR ASSEMBLY	1.00
PSV/62/057	NBFL BRANCH DEFLECTOR VERTICAL TUBE END	3.00
PSV/62/058	NBFL BRANCH DEFLECTOR BUSHING PART 1	3.00
PSV/62/059	NBFL BRANCH DEFLECTOR BUSHING PART 2	1.00
PSV/62/060	NBFL BRANCH DEFLECTOR VERTICAL TUBE	1.00
PSV/62/061	NBFL BRANCH DEFLECT HORIZON TUBE - UPPER	1.00
PSV/62/062	NBFL BRANCH DEFLECT HORIZON TUBE - LOWER	1.00
PSV/62/063	NBFL BRANCH DEFLECTOR VERTICAL TUBE END	1.00
PSV/50/859	NBFL BRANCH DEFLECTOR BOTTOM PACKER	2.00



W10-00399
EXTERIOR FRONT - BRANCH DEFLECTOR NBFL

Index	PSV Ref	Component Type	Description	Qty
1	PSV/50/841	PART	NBFL BRANCH DEFLECTOR TOP PACKER I	1
2	PSV/50/842	PART	NBFL BRANCH DEFLECTOR TOP PACKER 2	1
3	PSV/58/070	ASSEMBLY	NB fl Branch Deflector	1
4	PSV/50/859	PART	NBFL BRANCH DEFLECTOR BOTTOM PACKER	2



W10-00422

NBFL EXTERIOR MIRROR ARMS & HEADS



Stock Number	Description	Quantity
PSV/125/036	MIRROR HEAD (ASHTREE M714CE)	2.00
PSV/54/026	REPLACEMENT MIRROR LENSE (UNHEATED)	1.00
PSV/13/038	MIRROR ARM O/S	1.00
PSV/13/229	MIRROR ARM MOUNTING BRACKET	2.00
PSV/13/258	NBFL N/S MIRROR ARM	1.00



W10-00422
EXTERIOR FRONT - MIRRORS



MIR-0XXXX
O/S Mirror Head

PSV/13/038
O/S Mirror Arm



PSV/125/036
N/S Mirror Head

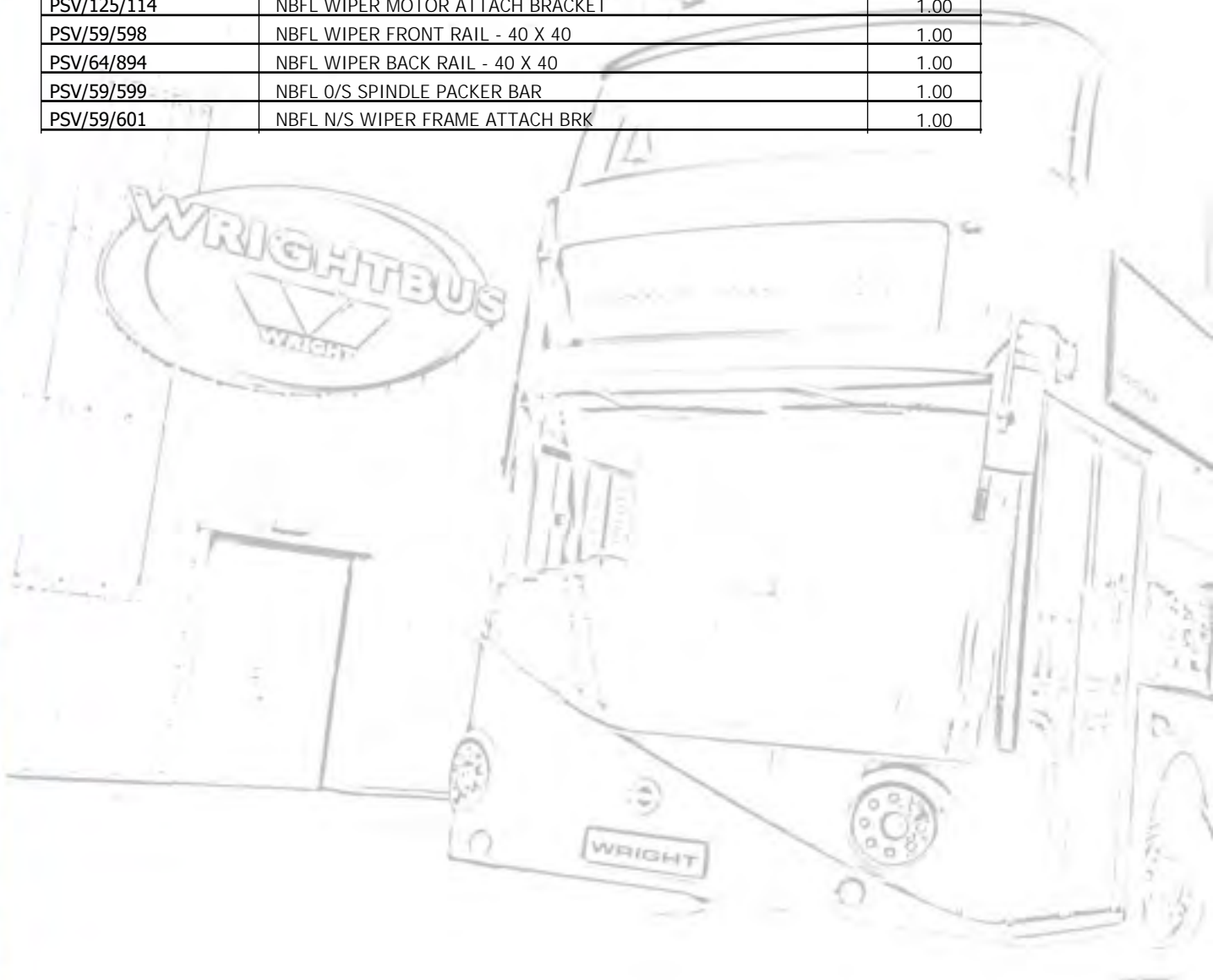
PSV/13/258
N/S Mirror Arm

W10-00457

EXTERIOR FRONT - NBFL WIPER SYSTEM

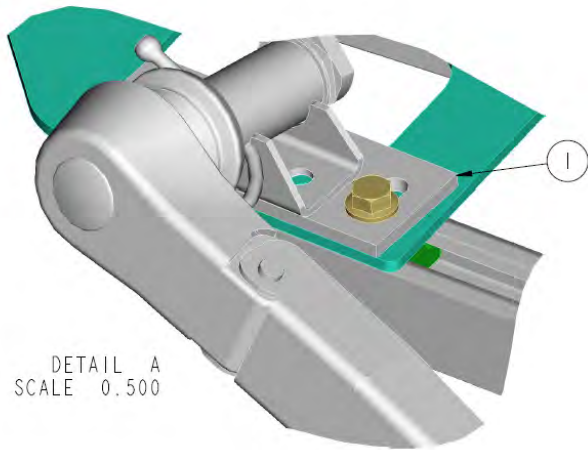
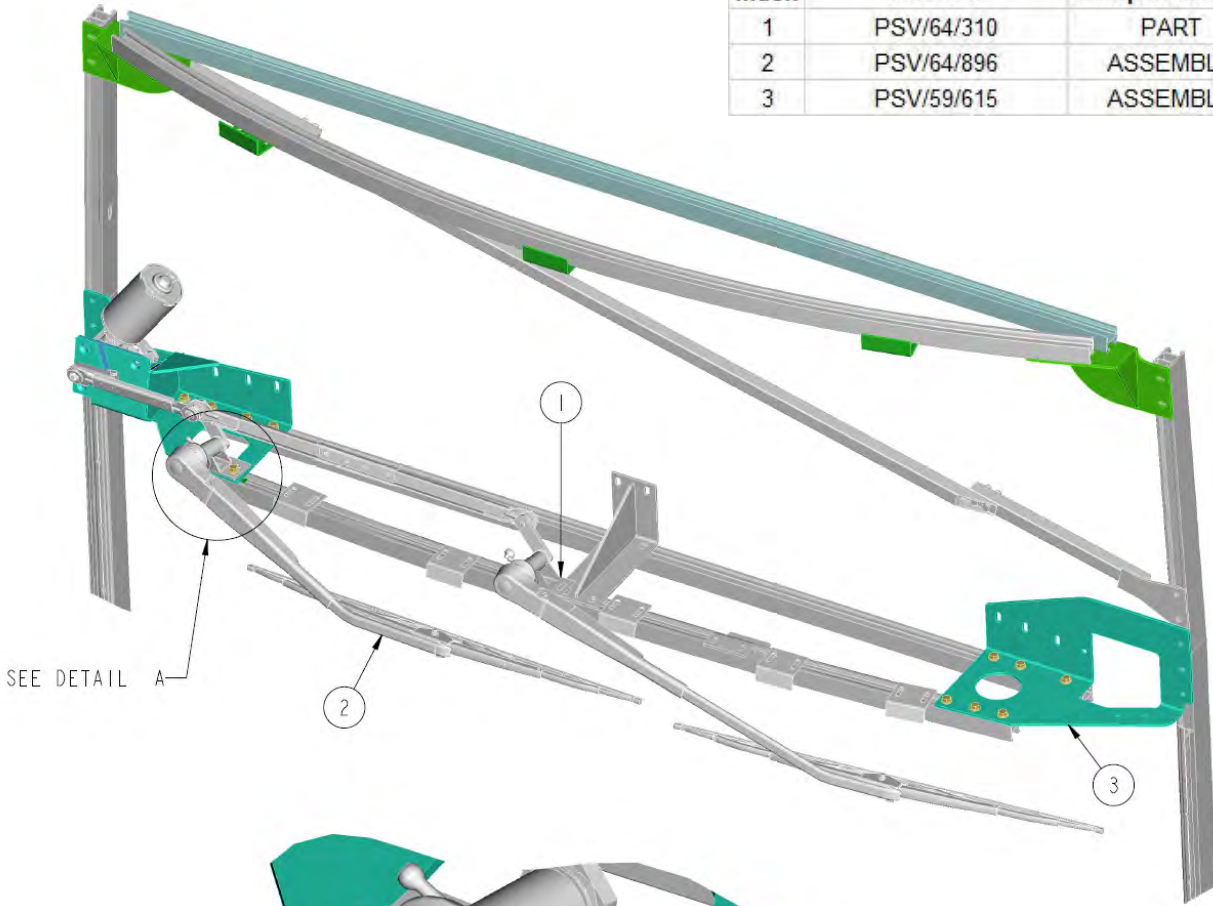


Stock Number	Description	Quantity
PSV/36/137	NBFL WIPER BRACKET OS ATTACHMENT BAR	1.00
PSV/64/310	NBFL WIPER LINKAGE PACKER/ADJUSTER PLATE	2.00
PSV/64/311	NBFL WIPER BKT GUSSET PART	1.00
PSV/64/896	NBFL WIPER LINAKAGE KIT INCLUDING MOTOR	1.00
PSV/59/615	NBFL WIPER FRAMEWORK	1.00
PSV/36/099	30mm PILLAR PACKER	2.00
PSV/11/197	M10x20 DURLOCK BOLT PATCHED	12.00
PSV/49/954	PILLAR PACKER TOGGLE - M10	8.00
PSV/64/891	NBFL O/S WIPER FRAME ATTACH BRK ASSEMBLY	1.00
PSV/64/892	NBFL O/S WIPER FRAME ATTACH BRK	1.00
PSV/64/893	NBFL O/S WIPER FRAME ATTACH BRK GUSSET	1.00
PSV/64/895	NBFL WIPER BKT GUSSET	1.00
PSV/125/114	NBFL WIPER MOTOR ATTACH BRACKET	1.00
PSV/59/598	NBFL WIPER FRONT RAIL - 40 X 40	1.00
PSV/64/894	NBFL WIPER BACK RAIL - 40 X 40	1.00
PSV/59/599	NBFL O/S SPINDLE PACKER BAR	1.00
PSV/59/601	NBFL N/S WIPER FRAME ATTACH BRK	1.00

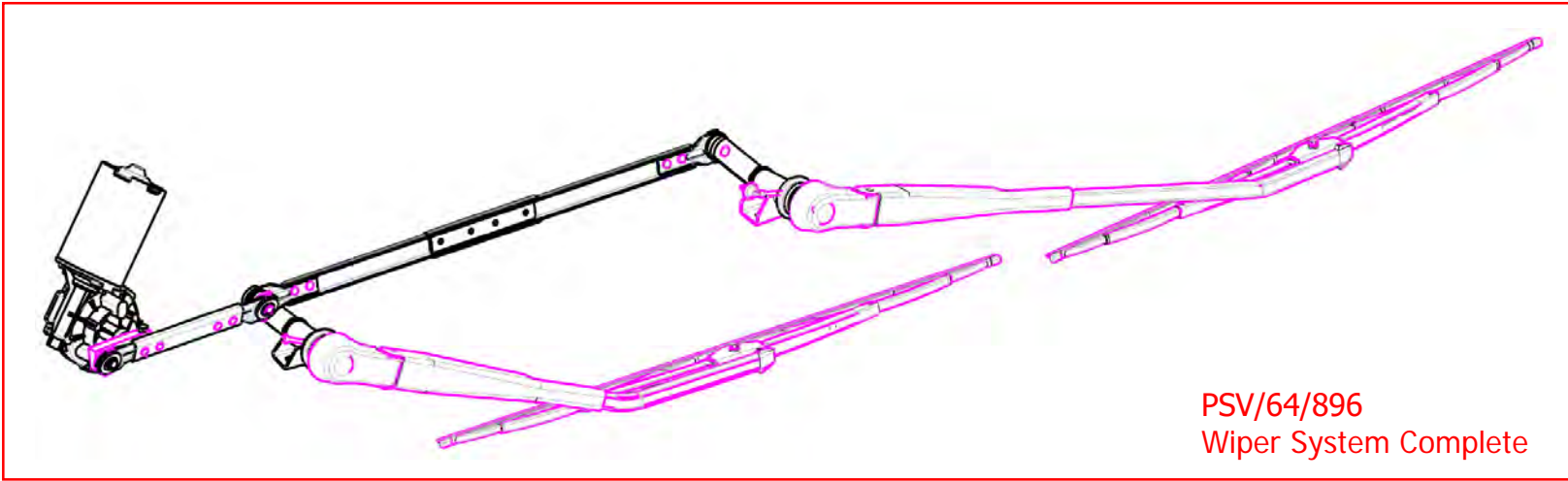


W10-00457
 EXTERIOR FRONT - WIPER SYSTEM NBFL

Index	PSV Ref	Component Type	Description	Qty
1	PSV/64/310	PART	NBfL wiper spindle packer plate	2
2	PSV/64/896	ASSEMBLY	NBfL Wiper system.	1
3	PSV/59/615	ASSEMBLY	NBFL WIPER FRAMEWORK	1



W10-00457 - WWWC-00304
 EXTERIOR FRONT - WIPER SYSTEM NBFL - LINKAGE



PSV/64/896
 Wiper System Complete

PSV/58/012
 Wiper Motor

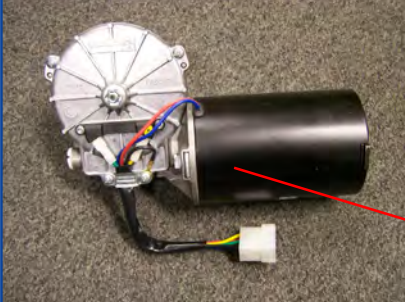
PSV/58/015 Wiper Linkage

PSV/58/003 Wiper Arm N/S

PSV/14/017
 Wiper Blade

PSV/58/004 Wiper Arm O/S

PSV/14/017
 Wiper Blade

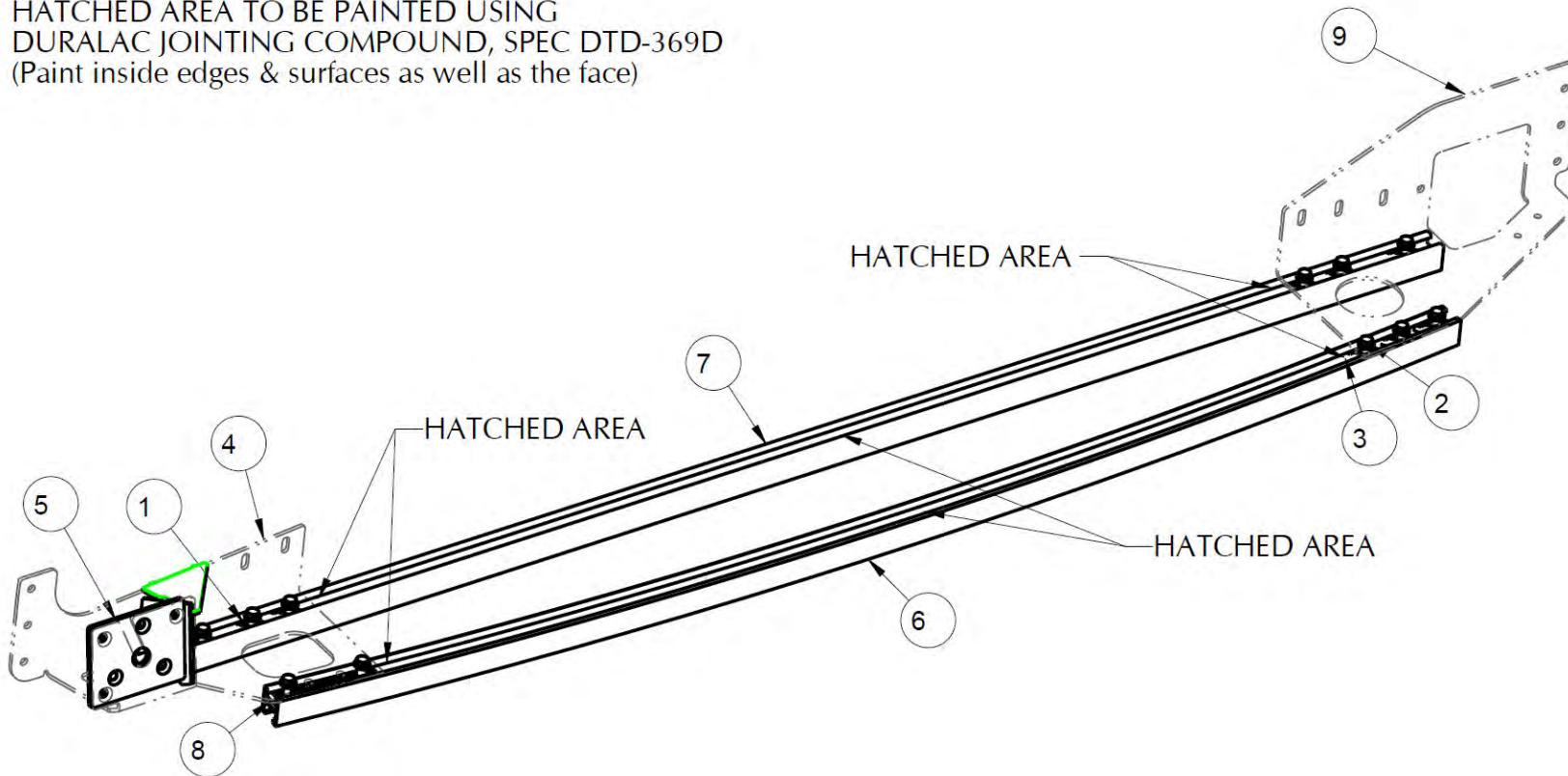


PSV/58/012
 Wiper Motor

- WWC-00304 Wiper System Complete**
- PSV/58/015 Wiper Linkage 1 off
 - PSV/58/012 Wiper Motor 1 off
 - PSV/14/017 Wiper Blade 2 off
 - PSV/58/004 Wiper Arm O/S 1 off
 - PSV/58/003 Wiper Arm N/S 1 off

Index	PSV Ref	Component Type	Description	Qty
1	PSV/36/099	PART	PILLAR PACKER	2
2	PSV/11/197	PART	M10x20 DURLOCK BOLT PATCH ZN PLATED	12
3	PSV/49/954	PART	M10 PILLAR PACKER TOGGLE	8
4	PSV/64/891	ASSEMBLY	NBFL O/S WIPER FRAME ATTACH BRK ASSEMBLY	1
5	PSV/125/114	PART	NBFL WIPER MOTOR ATTACH BRACKET	1
6	PSV/59/598	PART	NBFL WIPER FRONT RAIL - 40 X 40	1
7	PSV/64/894	PART	NBFL WIPER BACK RAIL - 40 X 40	1
8	PSV/59/599	PART	NBFL O/S SPINDLE PACKER BAR	1
9	PSV/59/601	PART	NBFL N/S WIPER FRAME ATTACH BRK	1

HATCHED AREA TO BE PAINTED USING
 DURALAC JOINTING COMPOUND, SPEC DTD-369D
 (Paint inside edges & surfaces as well as the face)



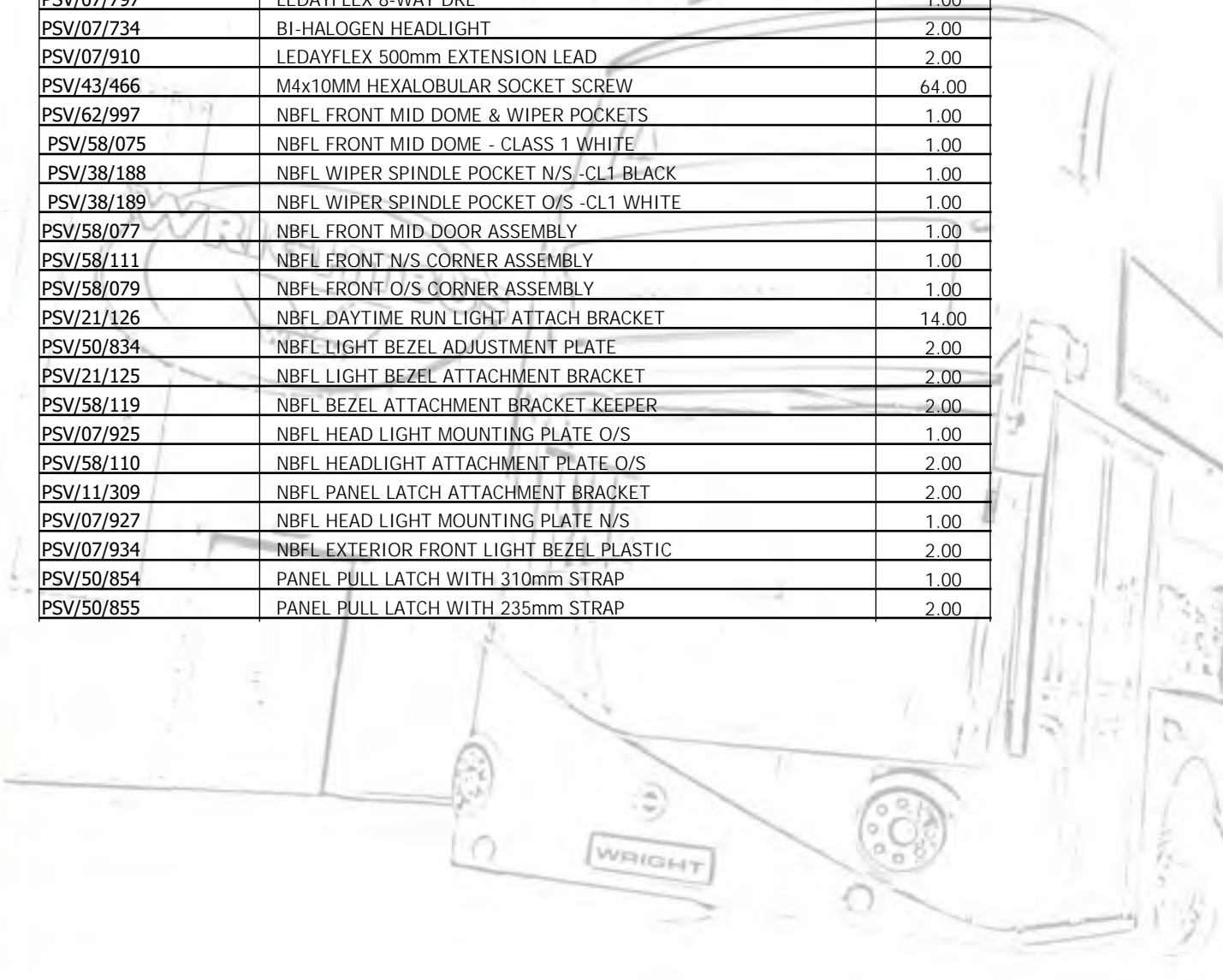
W10-00457 - WWC-00311
 EXTERIOR FRONT - WIPER SYSTEM NBFL - FRAMEWORK

W10-00474

NBFL FRONT EXTERIOR FIBREGLASS



Stock Number	Description	Quantity
PSV/62/366	NBFL FRONT MID DOOR - CLASS 2 WHITE	1.00
PSV/62/367	NBFL FRONT N/S CORNER - CLASS 2 WHITE	1.00
PSV/62/368	NBFL FRONT O/S CORNER - CLASS 2 WHITE	1.00
PSV/58/076	NBFL FRONT UPPER DOME - CLASS 1 WHITE	1.00
PSV/11/340	NBFL BUMPER LOCK ATTACHMENT BRK ASSEMBLY	1.00
PSV/62/510	NBFL BUMPER LOCK ATTACHMENT BRACKET	1.00
PSV/63/044	M4 X 0.7 FLANGED NUTSERT - 09418-02415	4.00
PSV/38/930	NBFL BUMPER STRAP ATTACHMENT BRACKET	4.00
PSV/11/474	PANEL PULL LATCH	1.00
PSV/41/328	STANDARD KEY RING - OD 38mm	3.00
PSV/62/772	PANEL PULL LATCH - SOUTH STRIKER & STRAP	2.00
PSV/13/423	CHECK STRAP - STAPLE 2^	1.00
PSV/07/797	LEDAYFLEX 8-WAY DRL	1.00
PSV/07/734	BI-HALOGEN HEADLIGHT	2.00
PSV/07/910	LEDAYFLEX 500mm EXTENSION LEAD	2.00
PSV/43/466	M4x10MM HEXALOBULAR SOCKET SCREW	64.00
PSV/62/997	NBFL FRONT MID DOME & WIPER POCKETS	1.00
PSV/58/075	NBFL FRONT MID DOME - CLASS 1 WHITE	1.00
PSV/38/188	NBFL WIPER SPINDLE POCKET N/S -CL1 BLACK	1.00
PSV/38/189	NBFL WIPER SPINDLE POCKET O/S -CL1 WHITE	1.00
PSV/58/077	NBFL FRONT MID DOOR ASSEMBLY	1.00
PSV/58/111	NBFL FRONT N/S CORNER ASSEMBLY	1.00
PSV/58/079	NBFL FRONT O/S CORNER ASSEMBLY	1.00
PSV/21/126	NBFL DAYTIME RUN LIGHT ATTACH BRACKET	14.00
PSV/50/834	NBFL LIGHT BEZEL ADJUSTMENT PLATE	2.00
PSV/21/125	NBFL LIGHT BEZEL ATTACHMENT BRACKET	2.00
PSV/58/119	NBFL BEZEL ATTACHMENT BRACKET KEEPER	2.00
PSV/07/925	NBFL HEAD LIGHT MOUNTING PLATE O/S	1.00
PSV/58/110	NBFL HEADLIGHT ATTACHMENT PLATE O/S	2.00
PSV/11/309	NBFL PANEL LATCH ATTACHMENT BRACKET	2.00
PSV/07/927	NBFL HEAD LIGHT MOUNTING PLATE N/S	1.00
PSV/07/934	NBFL EXTERIOR FRONT LIGHT BEZEL PLASTIC	2.00
PSV/50/854	PANEL PULL LATCH WITH 310mm STRAP	1.00
PSV/50/855	PANEL PULL LATCH WITH 235mm STRAP	2.00





W10-00474
EXTERIOR FRONT - FIBREGLASS



W10-00476

NBFL EXTERIOR FRONT LIGHTS



Stock Number	Description	Quantity
PSV/56/031	LED MARKER LIGHT - WHITE 24V	2.00
PSV/31/283	HELLA FRONT DIRECTION INDICATOR/POSITION	2.00



W10-00476
EXTERIOR FRONT - LIGHTS

PSV/07/298
LED Marker Light



PSV/07/335
Indicator / Position Light

W10-00489

EXTERIOR FRONT - ASSAULT ALARM



Stock Number	Description	Quantity
PSV/11/012	MAPLE SIREN NO8025 24V	1.00
PSV/19/753	2-WAY WATER PROOF RECEPTACLE	2.00
PSV/19/733	PIN, SIZE 16, SOLID CRIMP, 1MM, NI	4.00
PSV/19/776	LOCK WEDGE RECEPTACLE 2-WAY	2.00
PSV/20/902	ASSAULT ALARM SWITCH - STAYPUT	1.00
PSV/11/213	ASSAULT ALARM SWITCH YELLOW LEGEND PLATE	0.20
PSV/42/940	ASSAULT ALARM SWITCH CONTACT BLOCK	1.00
PSV/11/311	MAPLE ALARM MOUNTING BRACKET	1.00



W10-00510

NBFL WATER BOTTLE ASSEMBLY



Stock Number	Description	Quantity
PSV/62/276	ADH SIKA 205 CLEAN 1 LITRE	0.01
PSV/62/281	SIKA 552 WHITE 600ML SAUSAGE	0.13
PSV/50/843	NBFL WATER BOTTLE ATTACHMENT BRACKET	1.00
PSV/64/309	NBFL WASHER BOTTLE FILLER NECK BRACKET	1.00
PSV/59/574	4MM ID PIPE FOR WASHER SYSTEM	14.00
PSV/59/574	4MM ID PIPE FOR WASHER SYSTEM	0.60
PSV/133/016	WIPER WASHER SYSTEM - WITH LEVEL SENSOR	1.00
PSV/58/018	NON-RETURN VALVE	2.00
PSV/125/113	REMOTE FILLER NECK HOSE	1.00
PSV/14/619	WATER FILLER CAP TO SUIT WWA-00305	1.00
PSV/58/016	WASHER SYSTEM TANK ASSEMBLY	1.00
PSV/127/071	ELECTRIC PUMP	2.00
PSV/59/575	BOTTLE BRACKET - WITH MOD	1.00
PSV/125/111	HOLDING STRAP	2.00
PSV/125/110	LEVEL SENSOR	1.00
PSV/59/580	LEVEL SENSOR ELECTRICAL PLUG	1.00





W11-00424

NBFL EXTERIOR REAR - BASIC ASSEMBLY

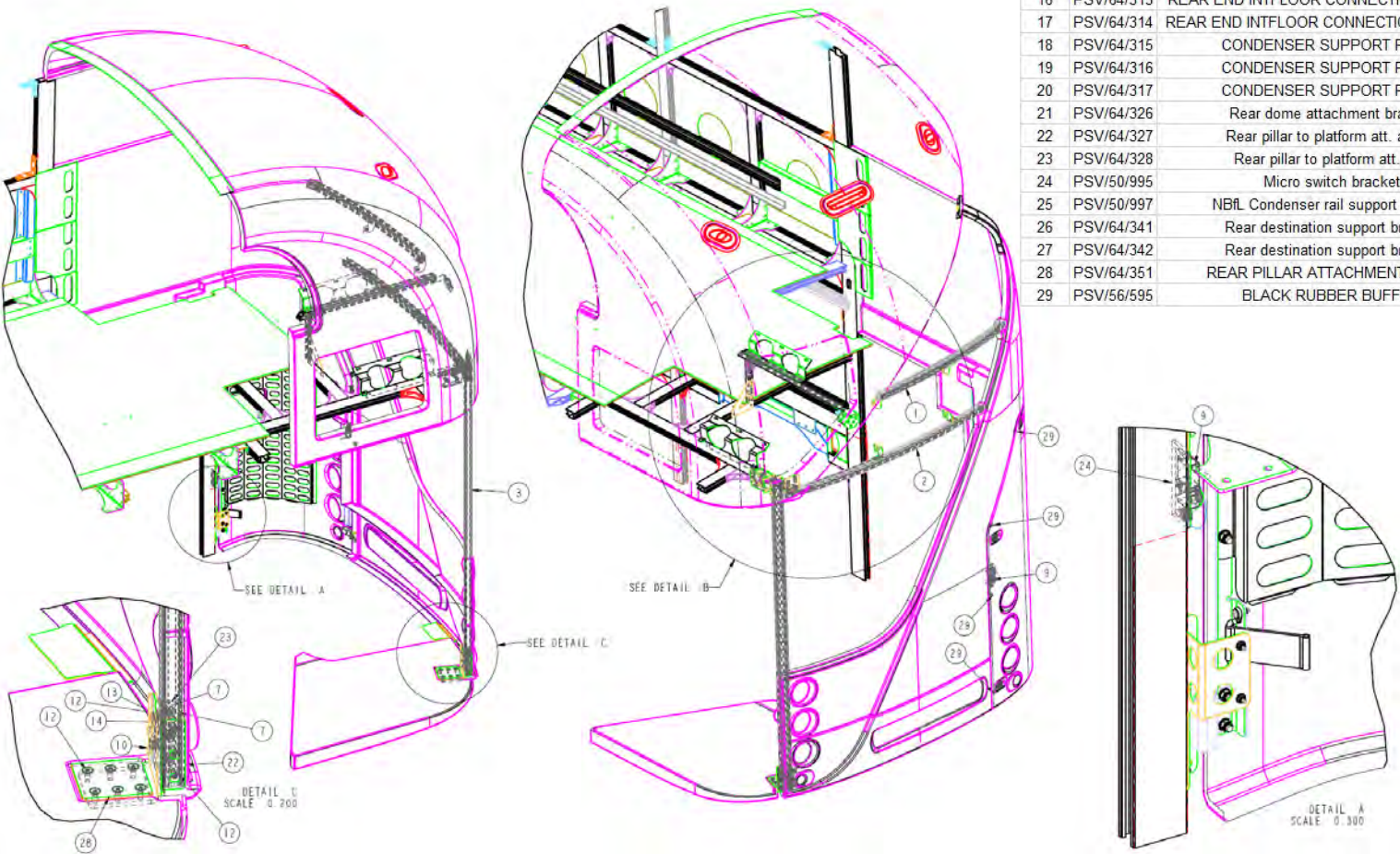


Stock Number	Description	Quantity
PSV/29/413	REAR END DESTINATION SIGN TOP RAIL	1.00
PSV/11/148	ALUM ECON.BOX 40x40 6.0M	0.19
PSV/29/414	REAR END DESTINATION SIGN BOTTOM RAIL	1.00
PSV/11/148	ALUM ECON.BOX 40x40 6.0M	0.38
PSV/62/209	REAR END VERTICAL DOOR PILLAR	1.00
PSV/38/244	ALUM BOX 60x40 (6.2M)	0.34
PSV/62/210	CONDENSER UNIT SUPPORT RAIL	1.00
PSV/11/148	ALUM ECON.BOX 40x40 6.0M	0.16
PSV/62/211	CONDENSER UNIT SUPPORT RAIL	1.00
PSV/62/033	SEATRAIL SECTION 40x20 (5.5M)	0.05
PSV/62/228	30mm PILLAR PACKER	2.00
PSV/36/135	REAR PILLAR ATTACHMENT BKT PILLAR PACKER	2.00
PSV/54/063	ALUM ACCESSORY TOGGLE M8	10.00
PSV/12/979	4 BOLT CORNER ASSEMBLY (STANDARD)	1.00
PSV/54/064	M8X15 TORX BUTTON SCREW PATCHED	4.00
PSV/54/063	ALUM ACCESSORY TOGGLE M8	4.00
PSV/38/238	4 BOLT CORNER	1.00
PSV/13/360	2 BOLT CORNER ASSEMBLY (STANDARD)	1.00
PSV/38/237	2 BOLT CORNER	1.00
PSV/54/064	M8X15 TORX BUTTON SCREW PATCHED	2.00
PSV/54/063	ALUM ACCESSORY TOGGLE M8	2.00
PSV/49/954	PILLAR PACKER TOGGLE - M10	8.00
PSV/64/313	REAR END INTFLOOR CONNECTION BRACKET PRT	1.00
PSV/64/314	REAR END INTFLOOR CONNECTION BRACKET PRT	1.00
PSV/64/315	CONDENSER UNIT SUPPORT BRACKET	1.00
PSV/64/316	CONDENSER UNIT SUPPORT BRACKET	1.00
PSV/64/317	CONDENSER UNIT SUPPORT BRACKET	1.00
PSV/64/326	REAR END INTFLOOR CONNECTION BRACKET PRT	1.00
PSV/64/327	NBFL REAR PILLAR ATTACHMENT BKT.	1.00
PSV/64/328	NBFL REAR PILLAR ATTACHMENT BKT.	1.00
PSV/50/995	MICRO SWITCH MOUNTING BRACKET	1.00
PSV/50/997	NBFL CONDENSER SUPPT RAIL ATT BKT	1.00
PSV/64/341	NBFL REAR DESTINATION UNIT ATT BKT	1.00
PSV/64/342	NBFL REAR DESTINATION UNIT ATT BKT	3.00
PSV/64/351	REAR PILLAR ATTACHMENT PLATE	1.00
PSV/56/595	BLACK NATURAL RUBBER SCREW BUFFERS	4.00



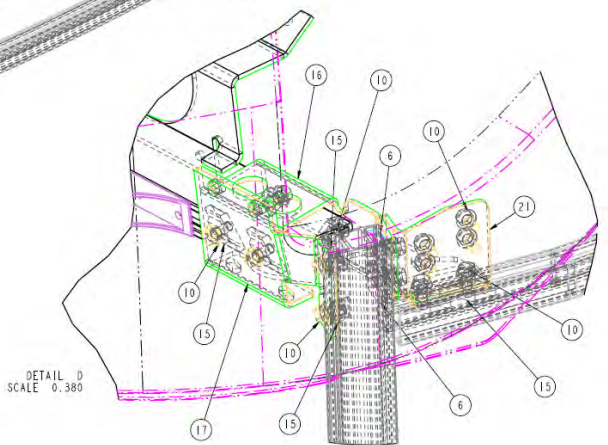
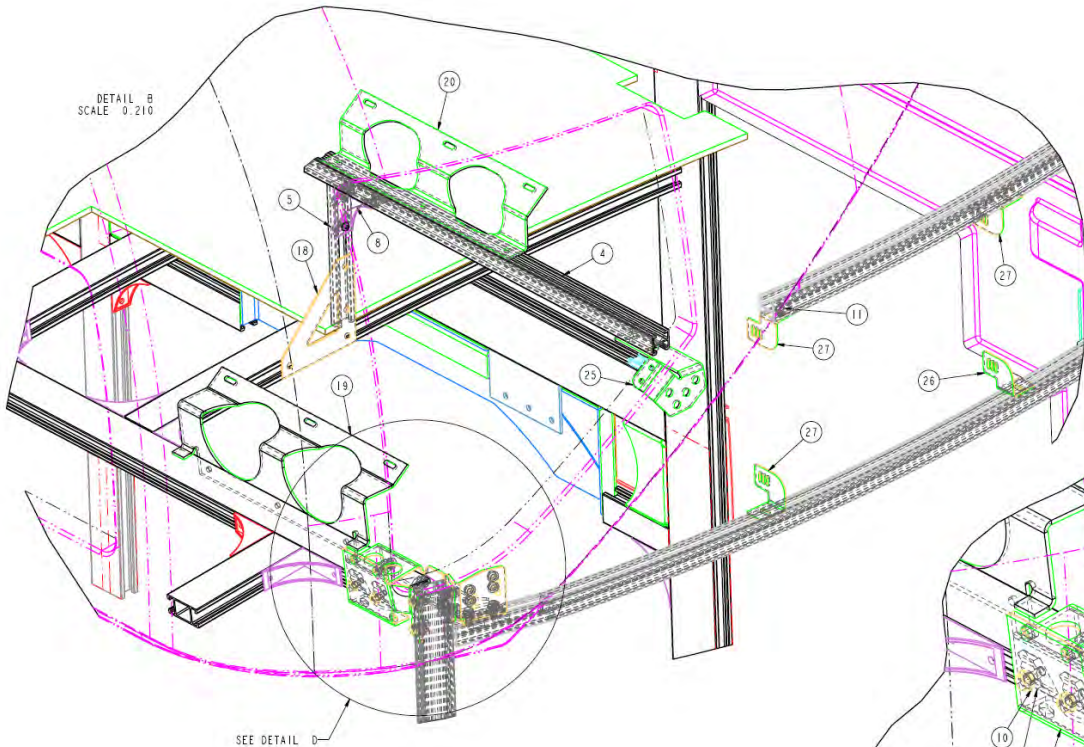
W11-00424
EXTERIOR REAR - BASIC ASSEMBLY

Index	PSV Ref	Description	Qty
1	PSV/29/413	REAR END DESTINATION SIGN TOP RAIL	1
2	PSV/29/414	REAR END DESTINATION SIGN BOTTOM RAIL	1
3	PSV/62/209	REAR END VERTICAL DOOR PILLAR	1
4	PSV/62/210	CONDENSER SUPPORT RAIL	1
5	PSV/62/211	CONDENSER SUPPORT RAIL	1
6	PSV/62/228	PILLAR PACKER	2
7	PSV/36/135	REAR PILLAR ATTACH BKT PILLAR PACKER	2
8	PSV/12/979	4 BOLT CORNER ASSY	1
9	PSV/56/129	DOOR MICROSWITCH ADJ ARM LENGTH	2
10	PSV/11/197	M10x20 DURLOCK BOLT PATCH ZN PLATED	19
11	PSV/11/140	M8X20 HEXALOBULAR TORX CAP HEAD BOLT	1
12	PSV/62/973	M10x25 CSK SKT SCREW. 10.9 GRADE	11
13	PSV/60/826	M10 H/TENS. 10.9T NYLOCK	2
14	PSV/61/263	M10 CAD PLATED WASHER	2
15	PSV/49/954	M10 PILLAR PACKER TOGGLE	8
16	PSV/64/313	REAR END INTFLOOR CONNECTION BRACKET	1
17	PSV/64/314	REAR END INTFLOOR CONNECTION BRACKET	1
18	PSV/64/315	CONDENSER SUPPORT PLATE	1
19	PSV/64/316	CONDENSER SUPPORT PLATE	1
20	PSV/64/317	CONDENSER SUPPORT PLATE	1
21	PSV/64/326	Rear dome attachment bracket	1
22	PSV/64/327	Rear pillar to platform att. angle.	1
23	PSV/64/328	Rear pillar to platform att. bkt.	1
24	PSV/50/995	Micro switch bracket	1
25	PSV/50/997	NBFL Condenser rail support bracket	1
26	PSV/64/341	Rear destination support bracket	1
27	PSV/64/342	Rear destination support bracket	3
28	PSV/64/351	REAR PILLAR ATTACHMENT PLATE	1
29	PSV/56/595	BLACK RUBBER BUFFER	4



W11-00424
EXTERIOR REAR - BASIC ASSEMBLY

Index	PSV Ref	Description	Qty
1	PSV/29/413	REAR END DESTINATION SIGN TOP RAIL	1
2	PSV/29/414	REAR END DESTINATION SIGN BOTTOM RAIL	1
3	PSV/62/209	REAR END VERTICAL DOOR PILLAR	1
4	PSV/62/210	CONDENSER SUPPORT RAIL	1
5	PSV/62/211	CONDENSER SUPPORT RAIL	1
6	PSV/62/228	PILLAR PACKER	2
7	PSV/36/135	REAR PILLAR ATTACH BKT PILLAR PACKER	2
8	PSV/12/979	4 BOLT CORNER ASSY	1
9	PSV/56/129	DOOR MICROSWITCH ADJ ARM LENGTH	2
10	PSV/11/197	M10x20 DURLOCK BOLT PATCH ZN PLATED	19
11	PSV/11/140	M8X20 HEXALOBULAR TORX CAP HEAD BOLT	11
12	PSV/62/973	M10x25 CSK SKT SCREW. 10.9 GRADE	11
13	PSV/60/826	M10 HTENS. 10.9T NYLOCK	2
14	PSV/61/263	M10 CAD PLATED WASHER	2
15	PSV/49/954	M10 PILLAR PACKER TOGGLE	8
16	PSV/64/313	REAR END INTFLOOR CONNECTION BRACKET	1
17	PSV/64/314	REAR END INTFLOOR CONNECTION BRACKET	1
18	PSV/64/315	CONDENSER SUPPORT PLATE	1
19	PSV/64/316	CONDENSER SUPPORT PLATE	1
20	PSV/64/317	CONDENSER SUPPORT PLATE	1
21	PSV/64/326	Rear dome attachment bracket	1
22	PSV/64/327	Rear pillar to platform att. angle.	1
23	PSV/64/328	Rear pillar to platform att. bkt.	1
24	PSV/50/995	Micro switch bracket	1
25	PSV/50/997	NBtl Condenser rail support bracket	1
26	PSV/64/341	Rear destination support bracket	1
27	PSV/64/342	Rear destination support bracket	3
28	PSV/64/351	REAR PILLAR ATTACHMENT PLATE	1
29	PSV/56/595	BLACK RUBBER BUFFER	4



W11-00494

NBFL EXTERIOR REAR LIGHTS



Stock Number	Description	Quantity
PSV/125/033	RED CIRCULAR REFLECTOR 60MM	2.00
PSV/56/133	LED MARKER LIGHT - RED 24V	2.00
PSV/07/393	LED STOP/TAIL LIGHT 24V, 30mm DEEP	2.00
PSV/56/070	LED REVERSE LIGHT 24V, 30mm DEEP	2.00
PSV/125/027	LED CENTRE BRAKE LIGHT	1.00
PSV/54/084	LED FOG LIGHT 24V, 30mm DEEP	1.00
PSV/56/067	LED NUMBER PLATE LIGHT	2.00
PSV/125/029	HELLA SINGLE LED REAR INDICATOR LAMP	2.00





W11-00494 EXTERIOR REAR - LIGHTING

PSV/07/299 LED
Marker Light



PSV/07/295
LED Centre Brake Light



PSV/07/394
LED Rear Indicator
PSV/07/393
LED Stop Tail Light
PSV/07/396
LED Reverse Light
PSV/07/150
Red Circular Reflector

PSV/07/394
LED Rear Indicator
PSV/07/393
LED Stop Tail Light
PSV/07/397
LED Fog Light
PSV/07/150
Red Circular Reflector

PSV/07/135
LED Number Plate Light



W11-00495

EXT REAR - BROADBAND REVERSE ALARM



Stock Number	Description	Quantity
PSV/19/753	2-WAY WATER PROOF RECEPTACLE	1.00
PSV/19/734	PIN, SIZE 16, SOLID CRIMP, 2MM, NI	2.00
PSV/19/776	LOCK WEDGE RECEPTACLE 2-WAY	1.00
PSV/11/074	REVERSE ALARM - BRIGADE BROADBAND BBS97	1.00
PSV/33/126	24V SPCO RELAY 10A/20A	1.00
PSV/64/325	BROADBAND REVERSE ALARM ATTACHMENT BRK	1.00

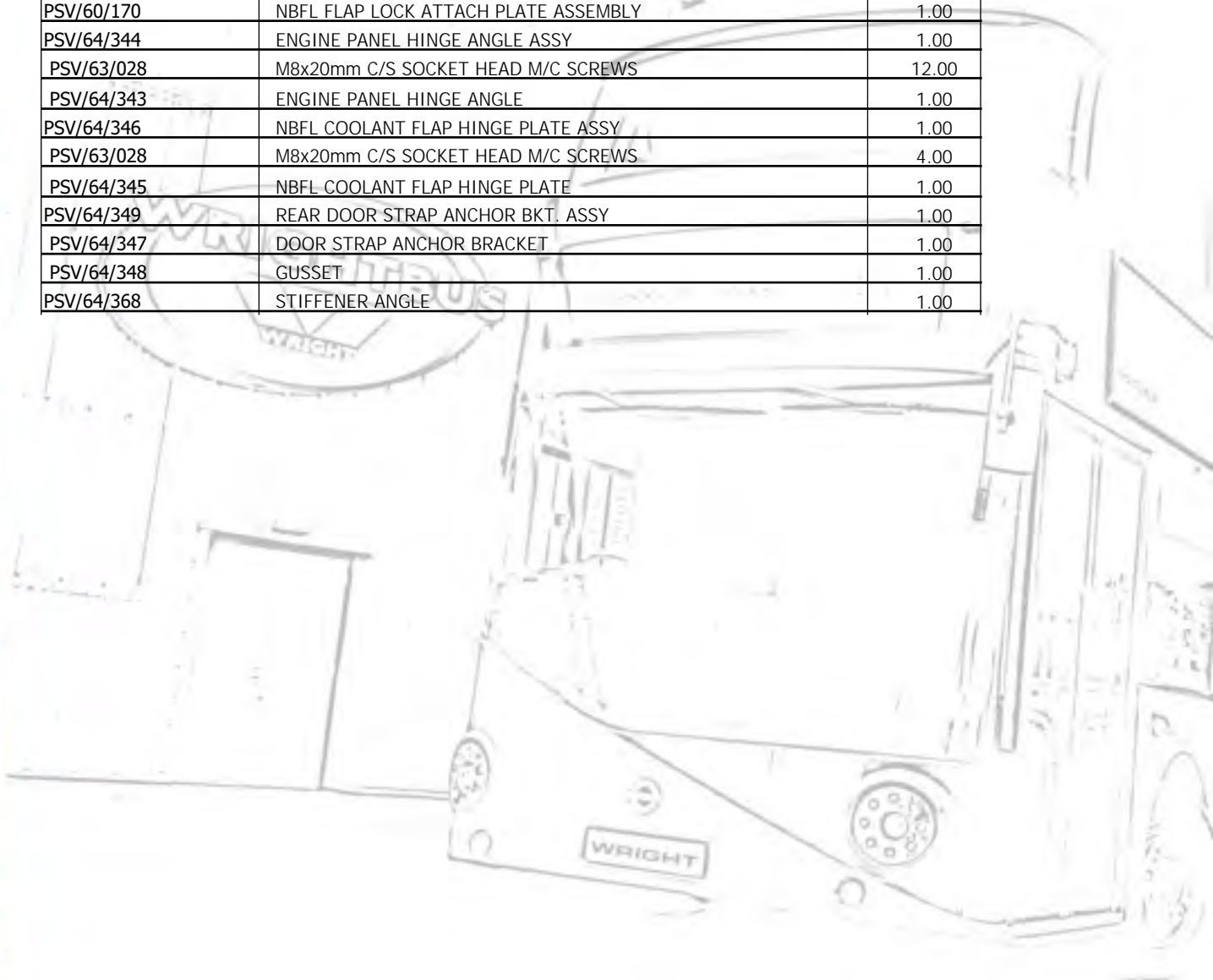


W11-00502

EXTERIOR REAR - ENGINE DOOR NBFL

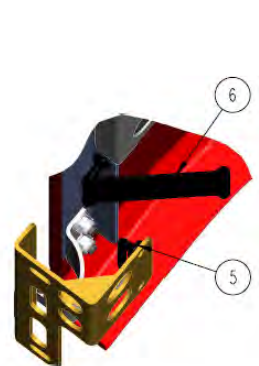
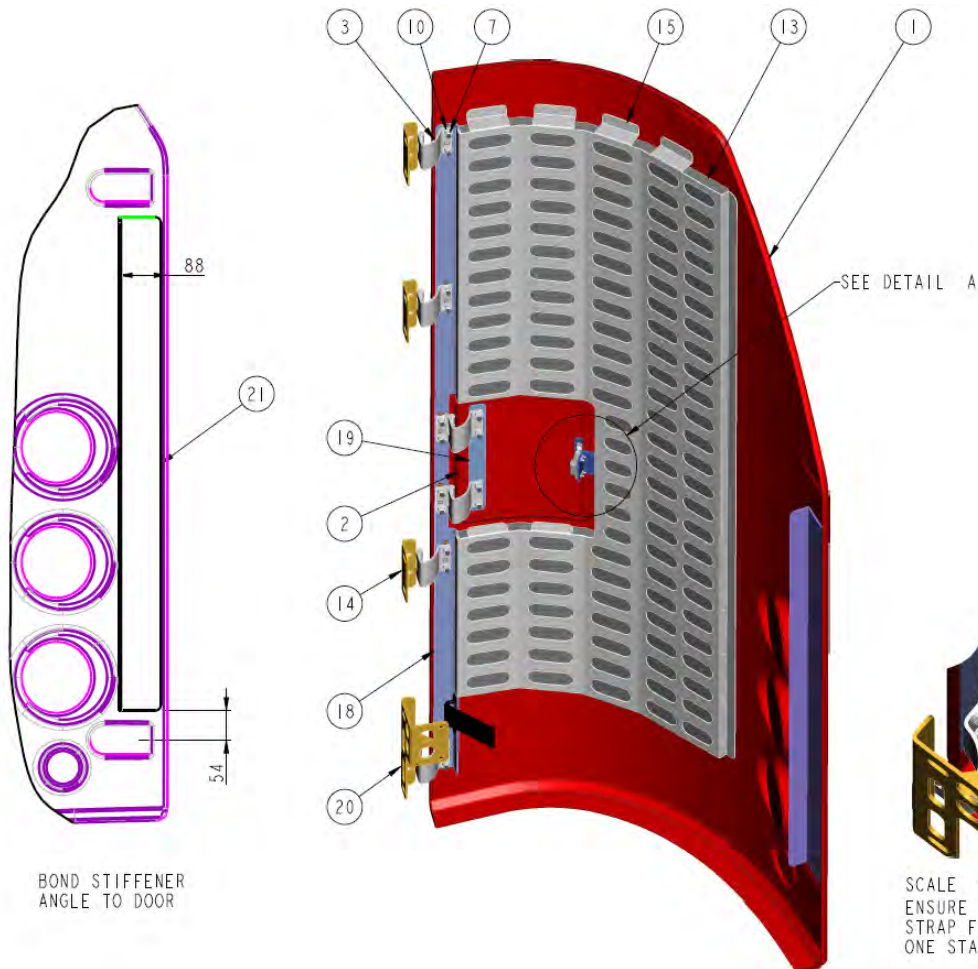


Stock Number	Description	Quantity
PSV/62/321	NBFL REAR DOME ENGINE DOOR - WHITE CL2	1.00
PSV/58/096	NBFL ENGINE DOOR COOLANT FLAP -CL2 WHITE	1.00
PSV/12/911	CONCEALED HINGE	6.00
PSV/12/307	SEALED LEVER LATCH - C/W 'T' KEY LOCK	3.00
PSV/12/716	PUSH-TO-CLOSE LATCH	1.00
PSV/13/423	CHECK STRAP - STAPLE 2^	2.00
PSV/41/382	CHECK STRAP 4^	1.00
PSV/62/773	265mm BLACK WEBBING	1.00
PSV/63/883	ENGINE ACCESS DOOR INSULATION	1.00
PSV/64/329	ENGINE DOOR HINGE BRACKET	3.00
PSV/60/167	ENGINE DOOR STRENGTHENER PANEL	1.00
PSV/50/988	NBFL COOLANT FLAP LOCK ATTACH BRACKET	1.00
PSV/60/170	NBFL FLAP LOCK ATTACH PLATE ASSEMBLY	1.00
PSV/64/344	ENGINE PANEL HINGE ANGLE ASSY	1.00
PSV/63/028	M8x20mm C/S SOCKET HEAD M/C SCREWS	12.00
PSV/64/343	ENGINE PANEL HINGE ANGLE	1.00
PSV/64/346	NBFL COOLANT FLAP HINGE PLATE ASSY	1.00
PSV/63/028	M8x20mm C/S SOCKET HEAD M/C SCREWS	4.00
PSV/64/345	NBFL COOLANT FLAP HINGE PLATE	1.00
PSV/64/349	REAR DOOR STRAP ANCHOR BKT. ASSY	1.00
PSV/64/347	DOOR STRAP ANCHOR BRACKET	1.00
PSV/64/348	GUSSET	1.00
PSV/64/368	STIFFENER ANGLE	1.00

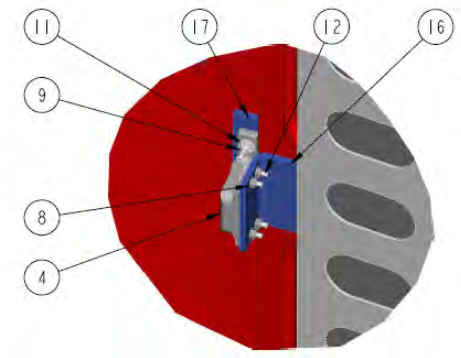


W11-00502 - FGA-01564
EXTERIOR REAR - ENGINE DOOR

Index	PSV Ref	Description	Qty
1	PSV/62/321	NBFL REAR DOME ENGINE DOOR	1
2	PSV/58/096	NBFL ENGINE DOOR COOLANT FLAP	1
3	PSV/12/911	CONCEALED HINGE	6
4	PSV/12/716	PUSH-TO-CLOSE LATCH	1
5	PSV/13/423	CHECK STRAP STAPLE	2
6	PSV/41/382	BLACK CHECK STRAP	1
7	PSV/43/667	M8 CAD. PLATED NYLOC NUT	16
8	PSV/60/162	M3 NYLOC NUT	4
9	PSV/56/169	M4 NYLOC NUT	2
10	PSV/60/163	8mm FLAT WASHER	16
11	PSV/60/165	M4 FLAT WASHER (FORM A)	2
12	PSV/63/099	M3x 12 PAN HEAD MACHINE SCREW	4
13	PSV/63/883	ENGINE DOOR ACCESS PANEL INSULATION	1
14	PSV/64/329	Rear engine door hinge attachment bracket	3
15	PSV/60/167	Engine door strengthening panel	1
16	PSV/50/988	NBFL COOLANT FLAP LOCK ATTACH BRACKET	1
17	PSV/60/170	NBFL FLAP LOCK ATTACH PLATE ASSEMBLY	1
18	PSV/64/344	ENGINE PANEL HINGE ANGLE ASSY.	1
19	PSV/64/346	COOLANT FLAP HINGE PLATE ASSEMBLY	1
20	PSV/64/349	REAR DOOR STRAP ANCHOR BKT. ASSY	1
21	PSV/64/368	STIFFENER ANGL	1



SCALE 0.300
ENSURE 100mm
STRAP FITTED TO
ONE STAPLE ONLY.



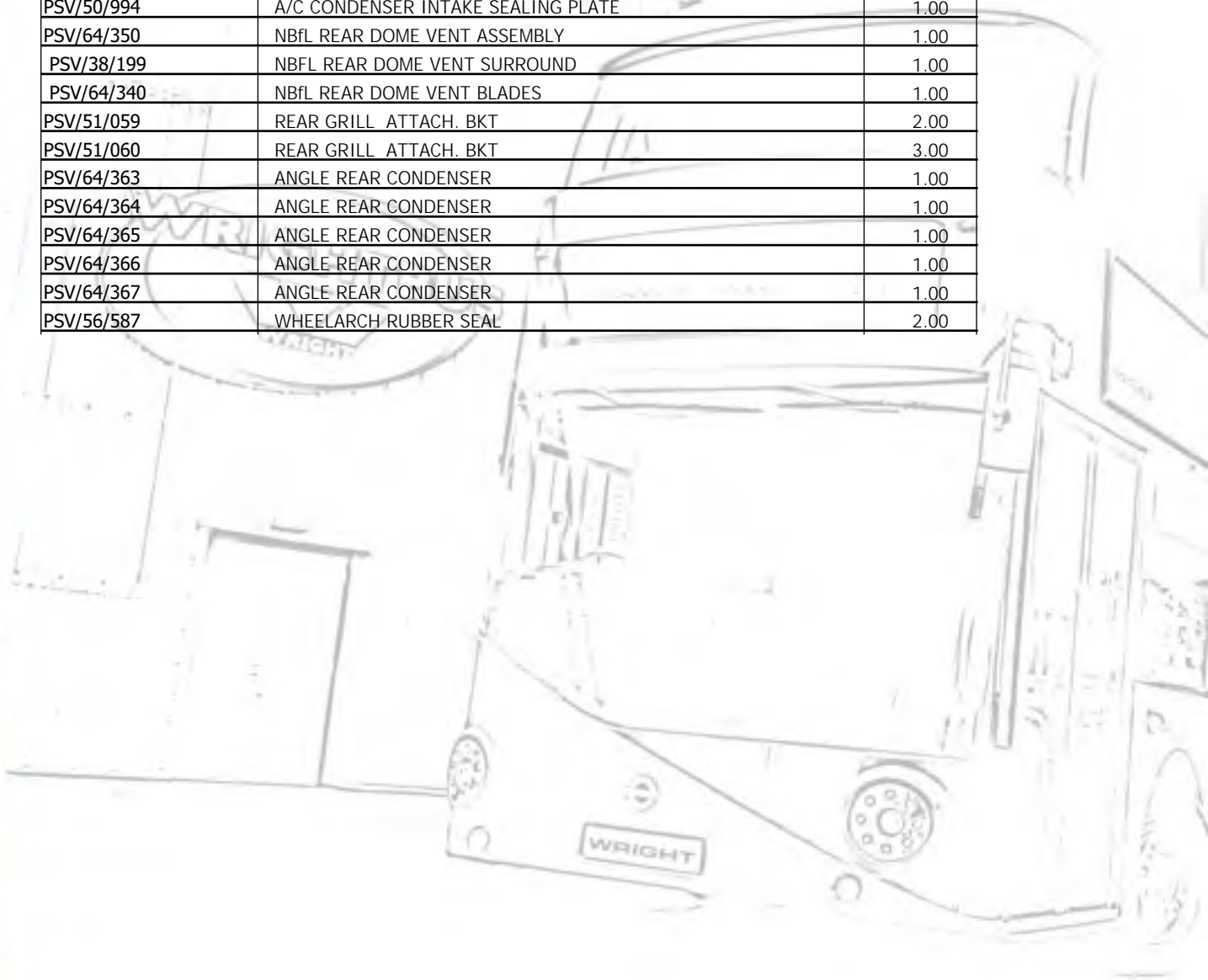
DETAIL A
SCALE 0.400

W11-00503

NBFL EXTERIOR REAR - AIRCON GRILL

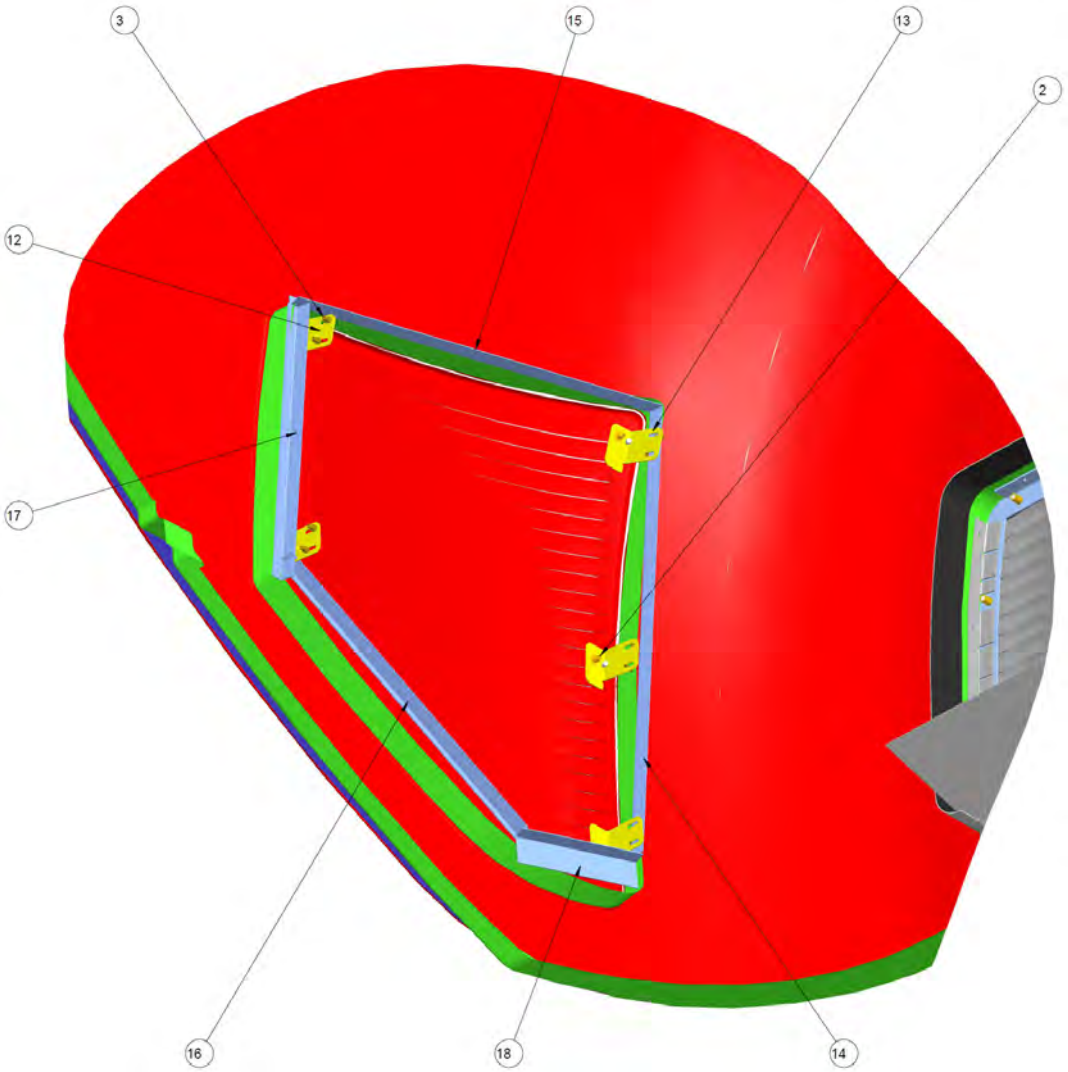


Stock Number	Description	Quantity
PSV/62/276	ADH SIKA 205 CLEAN 1 LITRE	0.10
PSV/62/283	ADH SIKA 555 600ML SAUSAGE	0.50
PSV/11/140	M8x20 HEXALOBULAR TORX CAP HEAD BOLT	10.00
PSV/43/354	M8x25 HEXALOBULAR TORX CAP HEAD BOLT	5.00
PSV/64/312	AIR-CON CONDENSER INTAKE GRILL	1.00
PSV/64/318	A/C CONDENSER INTAKE GRILL SURROUND PART	1.00
PSV/62/064	A/C CONDENSER INTAKE GRILL SURROUND ASM	1.00
PSV/63/046	M8 LARGE FLANGE HEXSERT (0.5-3 MM GRIP)	10.00
PSV/64/319	A/C CONDENSER INTAKE GRILL SURROUND PART	1.00
PSV/64/338	A/C CONDENSER INTAKE SEALING PLATE	1.00
PSV/50/993	A/C CONDENSER INTAKE SEALING PLATE	1.00
PSV/64/339	A/C CONDENSER INTAKE SEALING PLATE	1.00
PSV/50/994	A/C CONDENSER INTAKE SEALING PLATE	1.00
PSV/64/350	NBFL REAR DOME VENT ASSEMBLY	1.00
PSV/38/199	NBFL REAR DOME VENT SURROUND	1.00
PSV/64/340	NBFL REAR DOME VENT BLADES	1.00
PSV/51/059	REAR GRILL ATTACH. BKT	2.00
PSV/51/060	REAR GRILL ATTACH. BKT	3.00
PSV/64/363	ANGLE REAR CONDENSER	1.00
PSV/64/364	ANGLE REAR CONDENSER	1.00
PSV/64/365	ANGLE REAR CONDENSER	1.00
PSV/64/366	ANGLE REAR CONDENSER	1.00
PSV/64/367	ANGLE REAR CONDENSER	1.00
PSV/56/587	WHEELARCH RUBBER SEAL	2.00



**W11-00503
EXTERIOR REAR AIRCON GRILL**

Index	PSV Ref	Description	Qty
1	PSV/11/140	M8x20 HEXALOBULAR TORX CAP HEAD BOLT	15
2	PSV/61/264	M8 OPEN END NUTSERT	5
3	PSV/63/041	M5 FLANGED NUTSERT	10
4	PSV/64/312	AIR-CON CONDENSER INTAKE GRILL	1
5	PSV/64/318	A/C CONDENSER INTAKE GRILL SURROUND PART	1
6	PSV/62/064	A/C CONDENSER INTAKE GRILL SURROUND ASM	1
7	PSV/64/338	A/C CONDENSER INTAKE SEALING PLATE	1
8	PSV/50/993	A/C CONDENSER INTAKE SEALING PLATE	1
9	PSV/64/339	A/C CONDENSER INTAKE SEALING PLATE	1
10	PSV/50/994	A/C CONDENSER INTAKE SEALING PLATE	1
11	PSV/64/350	Rear dome vent assembly	1
12	PSV/51/059	REAR GRILL ATTACHMENT BKT	2
13	PSV/51/060	REAR GRILL ATTACHMENT BKT	3
14	PSV/64/363	ANGLE REAR CONDENSER	1
15	PSV/64/364	ANGLE REAR CONDENSER	1
16	PSV/64/365	ANGLE REAR CONDENSER	1
17	PSV/64/366	ANGLE REAR CONDENSER	1
18	PSV/64/367	ANGLE REAR CONDENSER	1

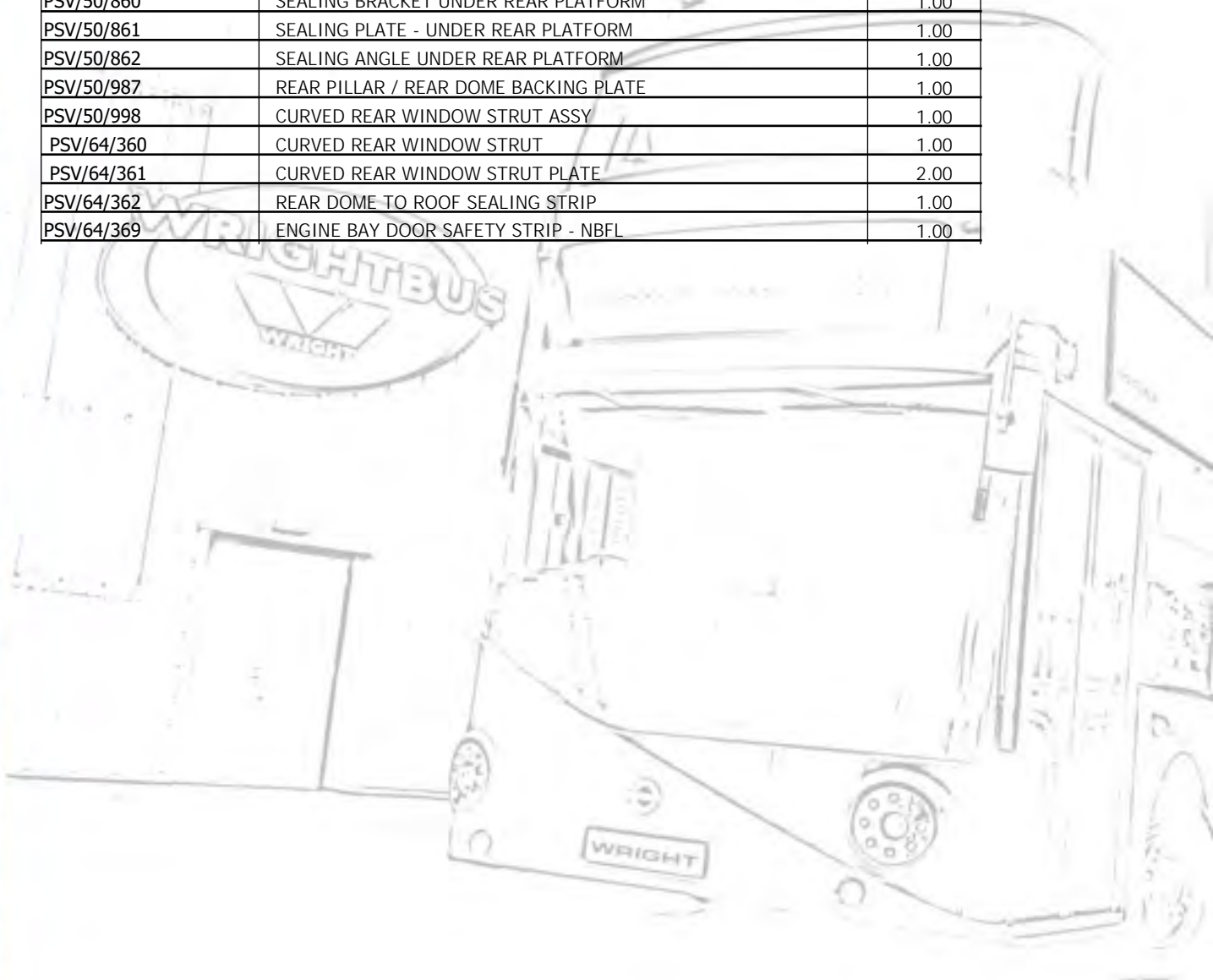


W11-00522

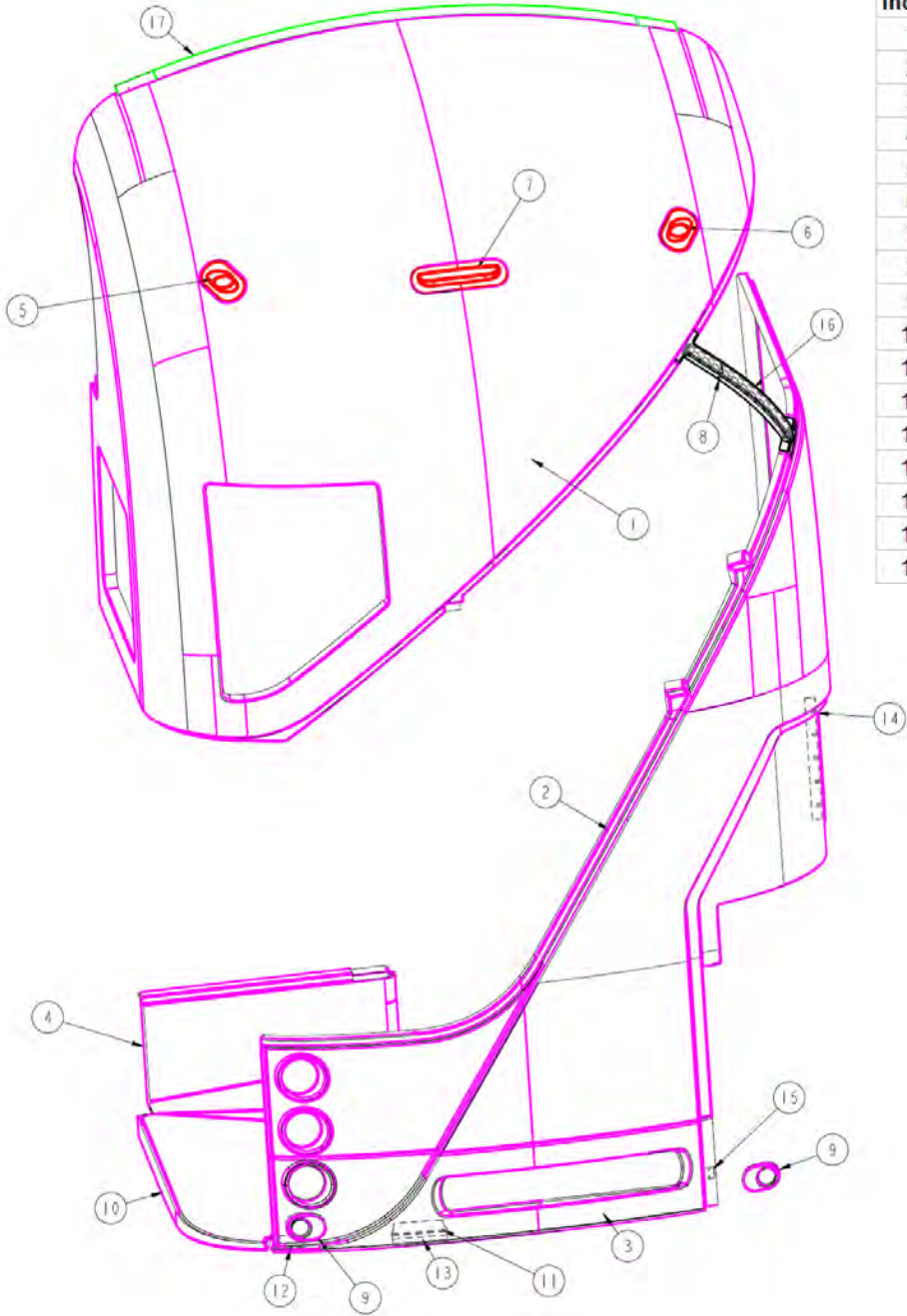
NBFL EXTERIOR REAR - FIBREGLASS PARTS



Stock Number	Description	Quantity
PSV/58/105	NBFL FRP REAR DOME TOP - CLASS 2	1.00
PSV/58/104	NBFL FRP REAR DOME MID - CLASS 2/1	1.00
PSV/58/103	NBFL FRP REAR DOME BTM - CLASS 2/1	1.00
PSV/38/179	NBFL FRP REAR FLOOR FT - CLASS 2	1.00
PSV/62/399	NBFL REAR N/S MARKER LT INSERT WHT CLS2	1.00
PSV/62/400	NBFL REAR O/S MARKER LT INSERT WHT CLS2	1.00
PSV/62/401	NBFL REAR CNTR BRAKE LT INSERT WHT CLS2	1.00
PSV/62/402	NBFL UPPER REAR WINDOW BONDING RAIL	1.00
PSV/07/930	NBFL REAR REFLECTOR POD	2.00
PSV/60/180	NBFL REAR FLOOR PLATFORM	1.00
PSV/62/318	NBFL FRP REAR FLOOR RE - CLASS 2	1.00
PSV/62/319	PLATFORM EDGE PIECE - NATURAL CLASS 1	1.00
PSV/50/860	SEALING BRACKET UNDER REAR PLATFORM	1.00
PSV/50/861	SEALING PLATE - UNDER REAR PLATFORM	1.00
PSV/50/862	SEALING ANGLE UNDER REAR PLATFORM	1.00
PSV/50/987	REAR PILLAR / REAR DOME BACKING PLATE	1.00
PSV/50/998	CURVED REAR WINDOW STRUT ASSY	1.00
PSV/64/360	CURVED REAR WINDOW STRUT	1.00
PSV/64/361	CURVED REAR WINDOW STRUT PLATE	2.00
PSV/64/362	REAR DOME TO ROOF SEALING STRIP	1.00
PSV/64/369	ENGINE BAY DOOR SAFETY STRIP - NBFL	1.00



W11-00522
EXTERIOR REAR - FIBREGLASS PARTS



Index	PSV Ref	Description	Qty
1	PSV/58/105	NBFL REAR DOME TOP SECTION	1
2	PSV/58/104	NBFL REAR DOME MID SECTION	1
3	PSV/58/103	NBFL rear bumper	1
4	PSV/38/179	NBFL FRP REAR PLATFORM FIXED PART	1
5	PSV/62/399	NBFL REAR N/S MARKER LT INSERT WHT CLSI	1
6	PSV/62/400	NBFL REAR O/S MARKER LT INSERT WHT CLSI	1
7	PSV/62/401	NBFL REAR UPPER CENTR BRAKE LIGHT INSERT	1
8	PSV/62/402	NBFL UPPER REAR WINDOW BONDING RAIL	1
9	PSV/07/930	NBFL REAR REFLECTOR POD	2
10	PSV/60/180	NBFL REAR FLOOR PLATFORM	1
11	PSV/50/860	SEALING BRACKET UNDER REAR PLATFORM	1
12	PSV/50/861	SEALING PLATE - UNDER REAR PLATFORM	1
13	PSV/50/862	SEALING ANGLE UNDER REAR PLATFORM	1
14	PSV/50/987	REAR PILLAR REAR DOME BACKING PLATE	1
15	PSV/61/265	REAR ENGINE DOOR LATCH FIXING PLATE	1
16	PSV/50/998	CURVED REAR WINDOW STRUT ASSY	1
17	PSV/64/362	Rear dome to roof sealing strip	1

W12-00448

SHEETMETAL - BMAC - LED INDICATORS - 2



Stock Number	Description	Quantity
PSV/19/753	2-WAY WATER PROOF RECEPTACLE	2.00
PSV/19/733	PIN, SIZE 16, SOLID CRIMP, 1MM, NI	4.00
PSV/19/776	LOCK WEDGE RECEPTACLE 2-WAY	2.00
PSV/62/900	LED SIDE INDICATOR (CAT 6)	2.00
PSV/64/723	RUBBER WASHER- 10MMOD, 5MMID - 1MM THICK	4.00



W12-00450

SHEETMETAL - SIDE MARKER LIGHTS



Stock Number	Description	Quantity
PSV/19/753	2-WAY WATER PROOF RECEPTACLE	10.00
PSV/19/763	2-WAY WATER PROOF PLUG	10.00
PSV/19/733	PIN, SIZE 16, SOLID CRIMP, 1MM, NI	20.00
PSV/19/735	SOCKET, SIZE 16, SOLID CRIMP, 1MM, NI	20.00
PSV/19/776	LOCK WEDGE RECEPTACLE 2-WAY	10.00
PSV/19/778	LOCK WEDGE PLUG 2-WAY	10.00
PSV/56/043	LED SIDE MARKER LIGHT, OVAL 24V	12.00
PSV/64/723	RUBBER WASHER- 10MMOD, 5MMID - 1MM THICK	10.00





W12-00451

SHEETMETAL - RAMP FLASHERS



Stock Number	Description	Quantity
PSV/19/753	2-WAY WATER PROOF RECEPTACLE	2.00
PSV/19/763	2-WAY WATER PROOF PLUG	2.00
PSV/19/733	PIN, SIZE 16, SOLID CRIMP, 1MM, NI	4.00
PSV/19/735	SOCKET, SIZE 16, SOLID CRIMP, 1MM, NI	4.00
PSV/19/776	LOCK WEDGE RECEPTACLE 2-WAY	2.00
PSV/19/778	LOCK WEDGE PLUG 2-WAY	2.00
PSV/64/723	RUBBER WASHER- 10MMOD, 5MMID - 1MM THICK	2.00





W12-00506

SHEETMETAL - CAPPINGS



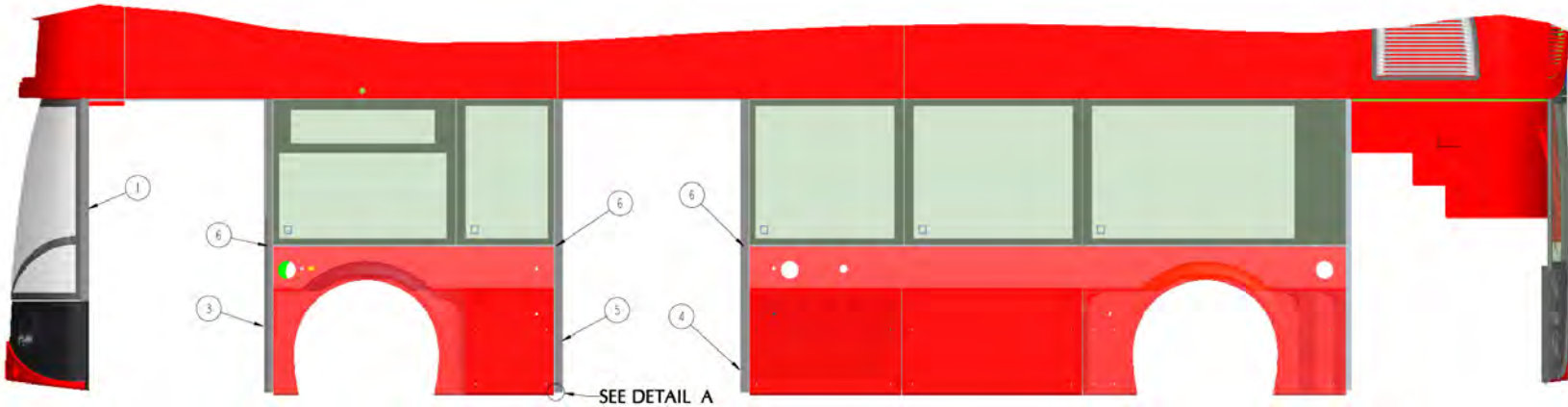
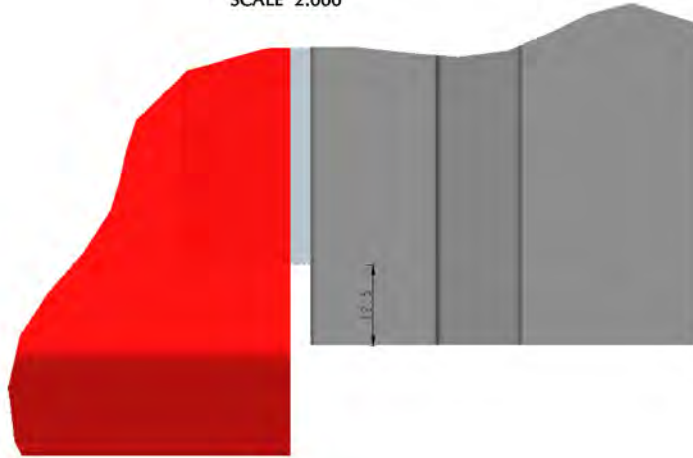
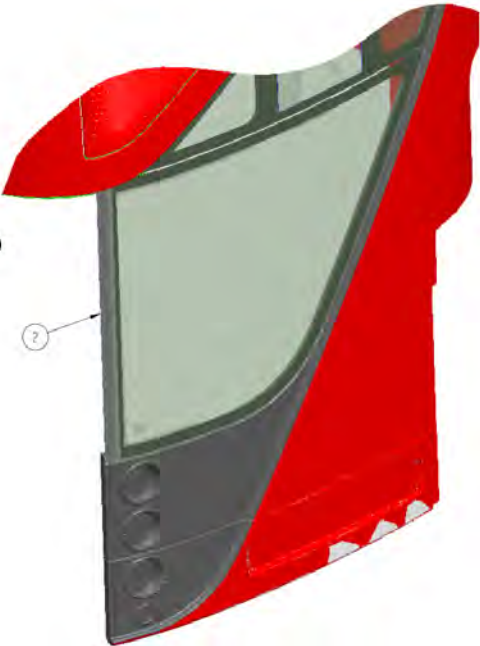
Stock Number	Description	Quantity
PSV/51/151	FRONT ENTRANCE DOOR VERTICAL CAPPING	1.00
PSV/64/379	REAR ENTRANCE DOOR VERTICAL CAPPING	1.00
PSV/51/152	FRONT ENTRANCE DOOR VERTICAL CAPPING	1.00
PSV/11/466	MID ENTRANCE DOOR VERTICAL CAPPING	1.00
PSV/51/154	MID ENTRANCE DOOR VERTICAL CAPPING	1.00
PSV/51/155	ENTRANCE DOOR VERTICAL CAPPING INFILL	3.00



Index	PSV Ref	Description	Qty
1	PSV/61/266	22mm COPPER PIPE @ 84mm	1
2	PSV/61/267	60mm @ 35mm COPPER PIPE	1
3	PSV/61/268	75mm @ 35mm COPPER PIPE	2
4	PSV/61/269	22mm COPPER PIPE @ 280mm	1
5	PSV/63/218	35-35-22mm COPPER TEE	1
6	PSV/63/220	22mm ELBOW	1
7	PSV/15/063	35mm GATE VALVE	1

DETAIL A
SCALE 2.000

SCALE 0.080



W12-00506
SHEETMETAL - CAPPINGS



W12-00562

SHEETMETAL - ADVERT FRAMES



Stock Number	Description	Quantity
PSV/62/310	ADVERT FRAME SECTION OFFSIDE	1.00
PSV/62/311	ADVERT FRAME SECTION NEAR SIDE	1.00

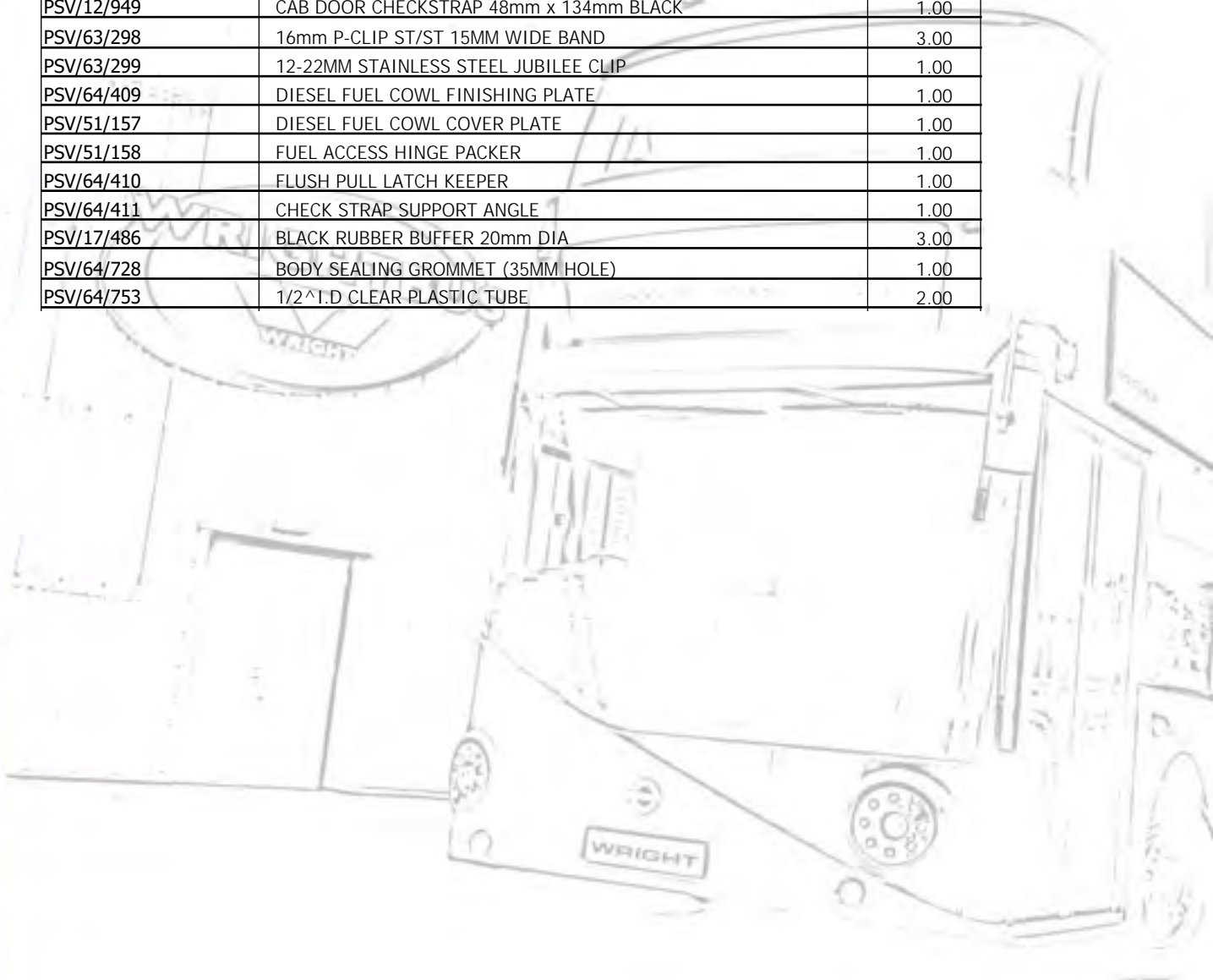


W12-00598

SHEETMETAL - FUEL ACCESS



Stock Number	Description	Quantity
PSV/36/689	FUEL ACCESS PANEL - TRIANGLE SECTION	1.00
PSV/36/690	FUEL ACCESS PANEL - HINGED SECTION	1.00
PSV/62/293	LOCTITE 5900 DIESEL RESISTANT SEALER	0.25
PSV/38/242	ALUM ACCESSY TOGGLE M6	2.00
PSV/62/590	DIESEL FUEL COWL ASM	1.00
PSV/64/37	STD FUEL COWL DRAIN PIPE	1.00
PSV/64/40	DIESEL FUEL COWL PART	1.00
PSV/64/407	DIESEL FUEL COWL PART	1.00
PSV/64/408	DIESEL FUEL COWL PART	1.00
PSV/62/771	OPEN FLAT CASTLE STAINLESS STEEL HINGE	1.00
PSV/12/541	SOUTHCO LATCH PLANT ON SLAM LOCK - BLACK	1.00
PSV/13/423	CHECK STRAP - STAPLE 2^	2.00
PSV/12/949	CAB DOOR CHECKSTRAP 48mm x 134mm BLACK	1.00
PSV/63/298	16mm P-CLIP ST/ST 15MM WIDE BAND	3.00
PSV/63/299	12-22MM STAINLESS STEEL JUBILEE CLIP	1.00
PSV/64/409	DIESEL FUEL COWL FINISHING PLATE	1.00
PSV/51/157	DIESEL FUEL COWL COVER PLATE	1.00
PSV/51/158	FUEL ACCESS HINGE PACKER	1.00
PSV/64/410	FLUSH PULL LATCH KEEPER	1.00
PSV/64/411	CHECK STRAP SUPPORT ANGLE	1.00
PSV/17/486	BLACK RUBBER BUFFER 20mm DIA	3.00
PSV/64/728	BODY SEALING GROMMET (35MM HOLE)	1.00
PSV/64/753	1/2" I.D CLEAR PLASTIC TUBE	2.00





W12-00662

SHEETMETAL - BASIC ASSEMBLY



Stock Number	Description	Quantity
PSV/62/398	WHEEL ARCH TRIM PANEL N/S FRONT	1.00
PSV/38/192	WHEEL ARCH TRIM PANEL O/S FRONT	1.00
PSV/38/193	WHEEL ARCH TRIM PANEL N/S REAR	1.00
PSV/38/194	WHEEL ARCH TRIM PANEL O/S REAR	1.00
PSV/56/066	LEVER LATCH - BLACK (FLUSH FITTING)	2.00
PSV/133/044	SEALED LEVER LATCH	4.00
PSV/11/504	30mm DIA x 5mm THICK NEODYMIUM MAGNET	1.00
PSV/13/423	CHECK STRAP - STAPLE 2^	2.00
PSV/41/385	6.5" CHECK STRAP	1.00
PSV/11/140	M8x20 HEXALOBULAR TORX CAP HEAD BOLT	22.00
PSV/11/109	M8 x 16 HEXALOBULAR TORX CAP HEAD BOLT	30.00
PSV/63/298	16mm P-CLIP ST/ST 15MM WIDE BAND	2.00
PSV/63/299	12-22MM STAINLESS STEEL JUBILEE CLIP	1.00
PSV/11/362	M8 PILLAR PACKER TOGGLE	6.00
PSV/56/581	EMERGENCY.DOOR.RUBBER SEAL	2.00
PSV/64/748	SHEETMETAL KIT - NBfL	1.00
PSV/62/236	SIDE SHEETMETAL PANEL - NBfL	1.00
PSV/58/083	SIDE SHEETMETAL PANEL - NBfL	1.00
PSV/58/084	SIDE SHEETMETAL PANEL - NBfL	1.00
PSV/58/092	SIDE SHEETMETAL PANEL - NBfL	1.00
PSV/58/093	SIDE SHEETMETAL PANEL - NBfL	1.00
PSV/62/237	SIDE SHEETMETAL PANEL - NBfL	1.00
PSV/11/297	FRONT HINGED BATTERY PANEL CAPPING	1.00
PSV/58/088	FRONT HINGED BATTERY PANEL	1.00
PSV/62/481	TOP HINGE BAR SECTION	1.00
PSV/62/482	BOTTOM HINGE BAR SECTION	1.00
PSV/62/483	HINGED BATTERY PANEL	1.00
PSV/62/484	HINGED BATTERY PANEL INNER STIFFER	1.00
PSV/62/485	HINGED BATTERY PANEL STAY BRACKET	1.00
PSV/60/186	DOOR STRUT BRACKET	1.00
PSV/10/899	STAY - TELESCOPIC HEAVY DUTY	1.00
PSV/62/953	M6x30 CAD ENG.BOLT	2.00
PSV/63/032	M6 SELF FINISH HEX NUT	2.00
PSV/60/161	M6 SELF FINISH NYLOC NUT	2.00
PSV/43/704	1/4in.FLAT STEEL WASHER	8.00
PSV/54/055	RUBBER HINGE SECT.405-00	1.31
PSV/46/367	HINGED BATTERY PANEL INSULATION	1.00
PSV/64/749	RADIATORS SHEETMETAL KIT - NBfL	1.00
PSV/39/005	RADIATOR SHEETMETAL PANEL CAPPING	1.00
PSV/57/454	REAR RADIATOR SHEETMETAL PANEL	1.00
PSV/62/238	RADIATOR SHEETMETAL PANEL ASM - NBfL	1.00
PSV/11/109	M8 x 16 HEXALOBULAR TORX CAP HEAD BOLT	12.00
PSV/43/667	M8 CAD.PLATED NYLOC NUT	8.00
PSV/60/163	M8 CAD.PLATED WASHER	8.00
PSV/64/373	RADIATOR SHEETMETAL PANEL ANGLE ASM	1.00
PSV/12/911	CONCEALED HINGE	4.00
PSV/43/342	M8x25 CAD ENG.BOLT	8.00
PSV/43/667	M8 CAD.PLATED NYLOC NUT	8.00



W12-00662

SHEETMETAL - BASIC ASSEMBLY



Stock Number	Description	Quantity
PSV/60/163	M8 CAD.PLATED WASHER	16.00
PSV/64/372	RADIATOR SHEETMETAL PANEL ANGLE	1.00
PSV/64/374	RADIATOR SHTMETAL PANEL HINGE PLATE ASM	1.00
PSV/62/965	M8 X 30 CSK SOCKET (ZINC & CLEAR)	8.00
PSV/64/375	RADIATOR SHTMETAL PANEL HINGE PLATE	1.00
PSV/64/376	RADIATOR SHEETMETAL PANEL FLYSCREEN ASM	1.00
PSV/64/377	RADIATOR SHEETMETAL PANEL FLYSCREEN PART	1.00
PSV/64/378	RADIATOR SHEETMETAL PANEL FLYSCREEN PART	1.00
PSV/64/397	RADIATOR SHEETMETAL PANEL FLYSCREEN PART	1.00
PSV/64/395	REAR RADIATOR FLY SCREEN SURROUND ASM	1.00
PSV/63/046	M8 LARGE FLANGE HEXSERT (0.5-3 MM GRIP)	12.00
PSV/64/392	REAR RADIATOR FLY SCREEN SURROUND	1.00
PSV/64/393	REAR RADIATOR FLY SCREEN SURROUND PART	1.00
PSV/64/394	REAR RADIATOR FLY SCREEN SURROUND PART	1.00
PSV/64/396	REAR RADIATOR FLY SCREEN SURROUND PART	1.00
PSV/64/398	RADIATOR HEADER TANK FILLER FRAME ASM	1.00
PSV/12/911	CONCEALED HINGE	2.00
PSV/43/663	M8X20 CAD.CSK.MACHINE SCREW	8.00
PSV/43/667	M8 CAD.PLATED NYLOC NUT	8.00
PSV/60/163	M8 CAD.PLATED WASHER	8.00
PSV/51/134	HINGE STOPPER BLOCK	2.00
PSV/64/391	DOOR BACKING PLATE SUPPORT	4.00
PSV/64/399	HEADER TANK DOOR BACKING PLATE	1.00
PSV/64/400	HEADER TANK DOOR BACKING PLATE	1.00
PSV/64/401	HEADER TANK FILLER DOOR	1.00
PSV/64/406	RADIATOR SHEETMETAL PANEL CHANNEL	1.00
PSV/12/970	RAD SHEETMETAL PANEL MAGNET GROUND	1.00
PSV/57/457	DRIVELINE RADIATOR SHEETMETAL PANEL ASM	1.00
PSV/62/239	DRIVELINE RADIATOR SHTMETAL PANEL - NBFL	1.00
PSV/11/109	M8 x 16 HEXALOBULAR TORX CAP HEAD BOLT	10.00
PSV/43/667	M8 CAD.PLATED NYLOC NUT	3.00
PSV/60/163	M8 CAD.PLATED WASHER	3.00
PSV/64/382	FUEL FILLER DOOR	1.00
PSV/64/384	RADIATOR FLY SCREEN SURROUND ASM	1.00
PSV/63/046	M8 LARGE FLANGE HEXSERT (0.5-3 MM GRIP)	10.00
PSV/64/380	DRIVELINE RADIATOR FLY SCREEN SURROUND	1.00
PSV/64/383	RADIATOR FLY SCREEN SURROUND SUPPORT	1.00
PSV/64/385	RADIATOR SHEETMETAL PANEL FLYSCREEN ASM	1.00
PSV/64/386	RADIATOR SHEETMETAL PANEL FLYSCREEN PART	1.00
PSV/64/387	RADIATOR SHEETMETAL PANEL FLYSCREEN PART	1.00
PSV/64/388	RADIATOR SHEETMETAL PANEL FLYSCREEN PART	1.00
PSV/64/390	FUEL FILLER FRAME ASSEMBLY	1.00
PSV/12/911	CONCEALED HINGE	2.00
PSV/43/663	M8X20 CAD.CSK.MACHINE SCREW	11.00
PSV/43/667	M8 CAD.PLATED NYLOC NUT	8.00
PSV/60/163	M8 CAD.PLATED WASHER	8.00
PSV/51/134	HINGE STOPPER BLOCK	2.00
PSV/64/381	FUEL DOOR BACKING PLATE	1.00
PSV/64/389	FUEL DOOR BACKING PLATE	1.00

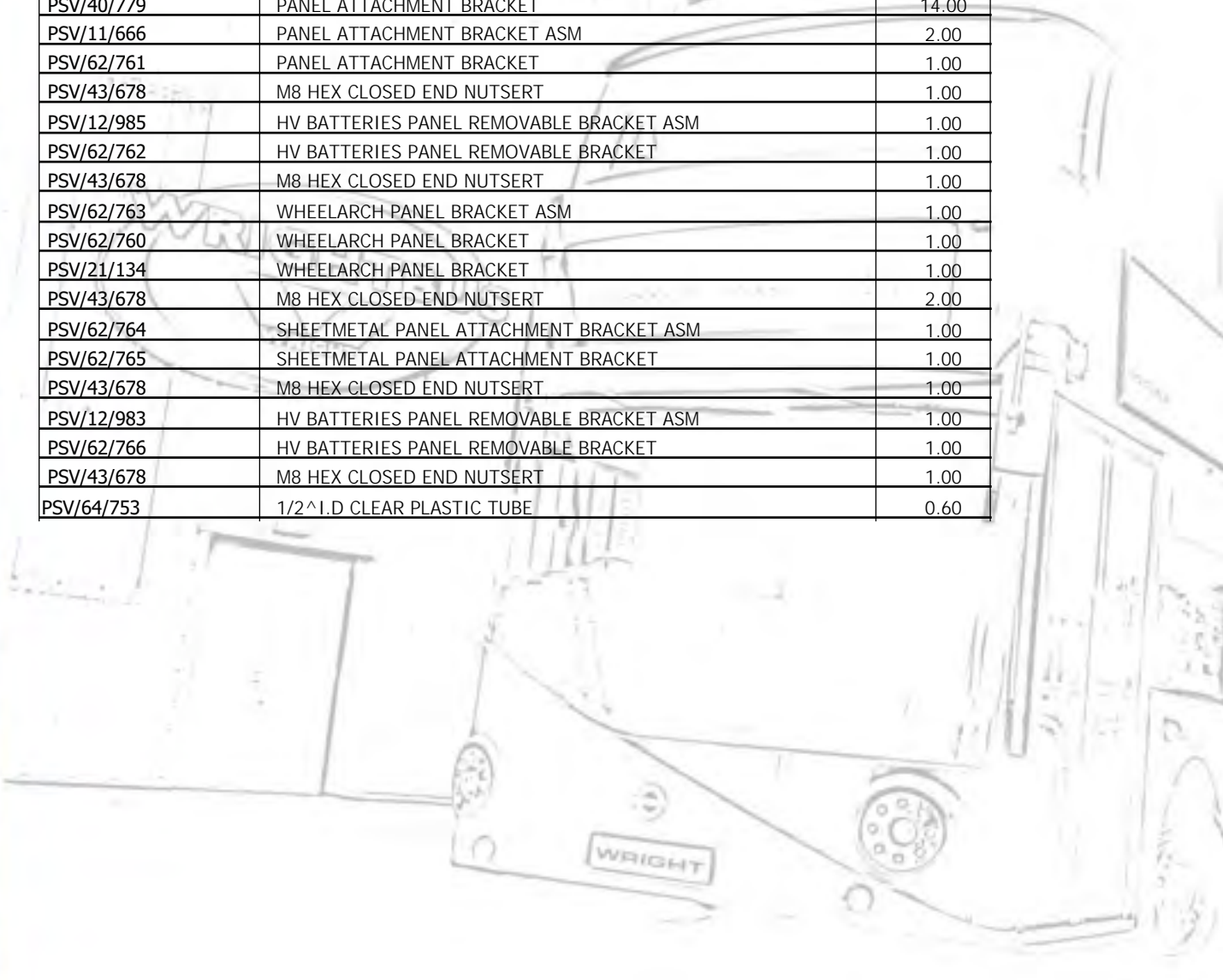


W12-00662

SHEETMETAL - BASIC ASSEMBLY



Stock Number	Description	Quantity
PSV/64/391	DOOR BACKING PLATE SUPPORT	4.00
PSV/64/404	DOOR BACKING PLATE SUPPORT	2.00
PSV/64/403	AD BLUE FILL SPLASH TRAY ASSEMBLY	1.00
PSV/64/370	UREA FILL SHROUD 10mm STAINLESS ST FILL	1.00
PSV/64/402	AD BLUE FILL SPLASH TRAY	1.00
PSV/64/750	SHEETMETAL BRACKETS KIT - NBfL	1.00
PSV/11/261	ACCESS PANEL STRIKER PLATE	4.00
PSV/11/696	PANEL ATTACHMENT BRACKET	11.00
PSV/21/131	SHEETMETAL ATTACHMENT BRACKET	3.00
PSV/62/759	WHEELARCH PANEL BRACKET	1.00
PSV/62/760	WHEELARCH PANEL BRACKET	1.00
PSV/43/678	M8 HEX CLOSED END NUTSERT	3.00
PSV/40/779	PANEL ATTACHMENT BRACKET	14.00
PSV/11/666	PANEL ATTACHMENT BRACKET ASM	2.00
PSV/62/761	PANEL ATTACHMENT BRACKET	1.00
PSV/43/678	M8 HEX CLOSED END NUTSERT	1.00
PSV/12/985	HV BATTERIES PANEL REMOVABLE BRACKET ASM	1.00
PSV/62/762	HV BATTERIES PANEL REMOVABLE BRACKET	1.00
PSV/43/678	M8 HEX CLOSED END NUTSERT	1.00
PSV/62/763	WHEELARCH PANEL BRACKET ASM	1.00
PSV/62/760	WHEELARCH PANEL BRACKET	1.00
PSV/21/134	WHEELARCH PANEL BRACKET	1.00
PSV/43/678	M8 HEX CLOSED END NUTSERT	2.00
PSV/62/764	SHEETMETAL PANEL ATTACHMENT BRACKET ASM	1.00
PSV/62/765	SHEETMETAL PANEL ATTACHMENT BRACKET	1.00
PSV/43/678	M8 HEX CLOSED END NUTSERT	1.00
PSV/12/983	HV BATTERIES PANEL REMOVABLE BRACKET ASM	1.00
PSV/62/766	HV BATTERIES PANEL REMOVABLE BRACKET	1.00
PSV/43/678	M8 HEX CLOSED END NUTSERT	1.00
PSV/64/753	1/2" I.D CLEAR PLASTIC TUBE	0.60





W12-00662
SHEETMETAL - BASIC ASSEMBLY



PSV/62/398

3 PSV/58/082

PSV/58/08

PSV/58/084

PSV/38/193

W12-00662
SHEETMETAL - BASIC ASSEMBLY



W13-00130

INTERIOR FRONT - OMO SOCKET



Stock Number	Description	Quantity
PSV/62/853	MULTI POSITION PLUG	1.00
PSV/42/356	I.E.C OUTLET SOCKET	1.00





W13-00255

INTERIOR FRONT - DRIVERS CUP HOLDER



Stock Number	Description	Quantity
PSV/21/065	DRINKS HOLDER	1.00





W13-00259

INTERIOR FRONT - 2 WAY LICENCE HOLDER



Stock Number	Description	Quantity
PSV/17/978	LICENCE HOLDER - 2 WAY	1.00



W13-00347

INTERIOR FRONT - MIRROR



Stock Number	Description	Quantity
PSV/13/209	INTEROR DRIVERS MIRROR HEAD (WIDE ANGLE)	1.00
PSV/56/754	MIRROR ARM	1.00
PSV/59/878	TRIANGULAR BRACKET FOR MIR-00002	1.00



W13-01102

INT FRONT HIDDEN START SWITCH RHS EU4 DD



Stock Number	Description	Quantity
PSV/62/212	D/DECK RFS HIDDEN START SWITCH BRACKET	1.00
PSV/62/312	ALUM SHT .2500x1250x2MM (14g.)	0.00
PSV/18/013	SWITCH - ROCKER SINGLE POSITION	1.00
PSV/47/798	MID DOOR OVERRIDE LENS	1.00



W13-02024

MID SALOON LARGE RECTANGULAR CONVEX MIRR



Stock Number	Description	Quantity
PSV/62/969	M6x20MM TORX CAP CHROME FIN. PRECOTE 80	1.00
PSV/64/481	MIRROR BRACKET	1.00
PSV/52/291	CONVEX MIRROR	1.00



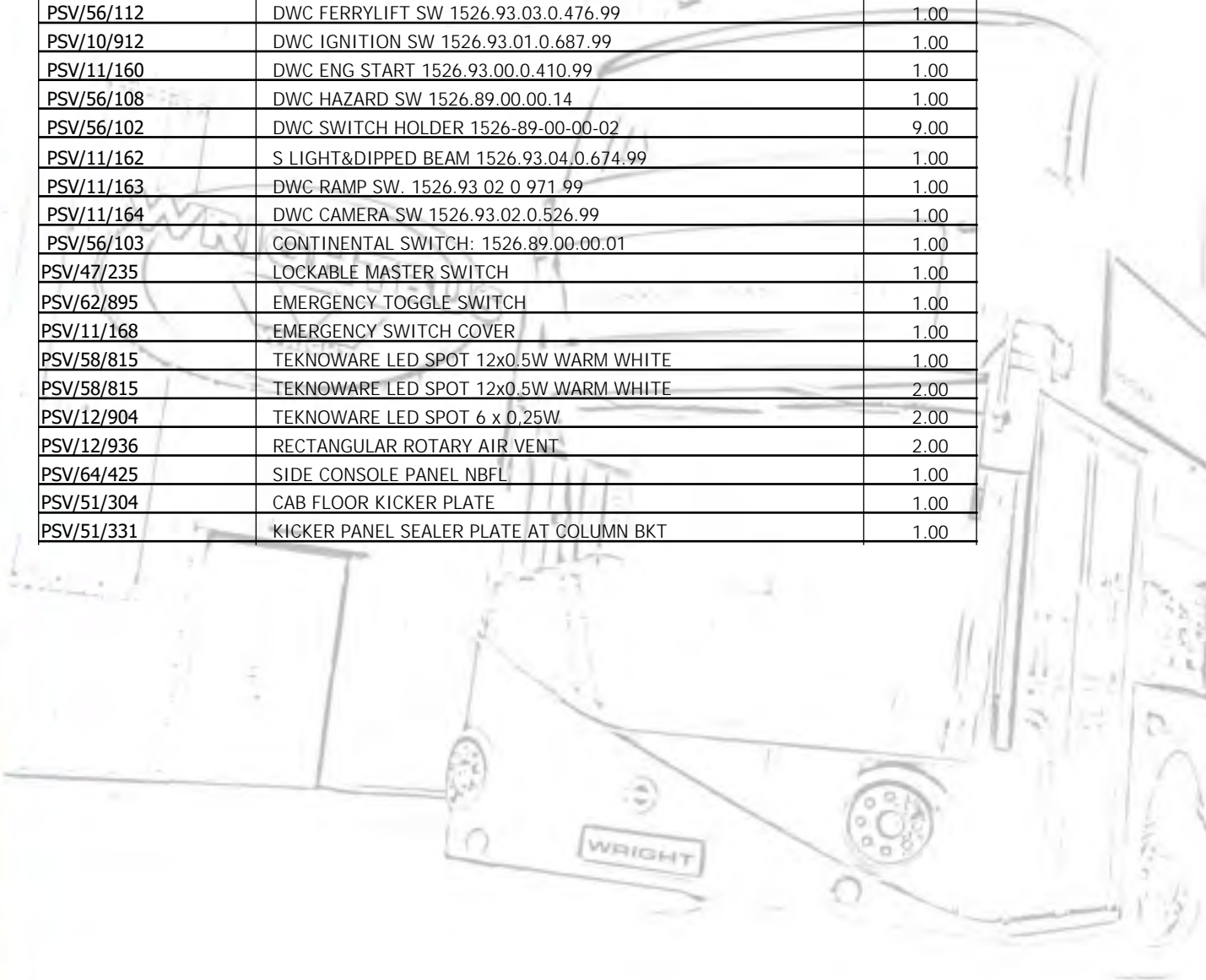


W13-02091

INTERIOR FRONT BASIC ASSEMBLY



Stock Number	Description	Quantity
PSV/06/339	ENTRANCE DOOR BUTTON - GREEN - ELECTRIC	3.00
PSV/06/338	ENTRANCE DOOR BUTTON - RED - ELECTRIC	1.00
PSV/41/412	CREW,SERIES 84 SWITCH WITH ORANGE LENS	1.00
PSV/62/779	LOCK,SERIES 84 SWITCH WITH ORANGE LENS	2.00
PSV/62/780	ALERT,SERIES 84 SWITCH WITH RED LENS	1.00
PSV/62/781	DRIVE,SERIES 84 SWITCH WITH GREEN LENS	1.00
PSV/62/843	NBFL DASH SWITCH KIT	1.00
PSV/56/114	DWC KNEELING SW 1526.93.02.0.669.99	1.00
PSV/10/966	SMUX SWITCH BLANK COVER	6.00
PSV/02/013	VDO SMUX V2.0 SWITCH BANK (6 SWITCHES)	1.00
PSV/02/364	SMUX OVERHEAD CONSOLE SWITCHES	1.00
PSV/62/844	NBFL DASH SWITCH KIT	1.00
PSV/56/112	DWC FERRYLIFT SW 1526.93.03.0.476.99	1.00
PSV/10/912	DWC IGNITION SW 1526.93.01.0.687.99	1.00
PSV/11/160	DWC ENG START 1526.93.00.0.410.99	1.00
PSV/56/108	DWC HAZARD SW 1526.89.00.00.14	1.00
PSV/56/102	DWC SWITCH HOLDER 1526-89-00-00-02	9.00
PSV/11/162	S LIGHT&DIPPED BEAM 1526.93.04.0.674.99	1.00
PSV/11/163	DWC RAMP SW. 1526.93 02 0 971 99	1.00
PSV/11/164	DWC CAMERA SW 1526.93.02.0.526.99	1.00
PSV/56/103	CONTINENTAL SWITCH: 1526.89.00.00.01	1.00
PSV/47/235	LOCKABLE MASTER SWITCH	1.00
PSV/62/895	EMERGENCY TOGGLE SWITCH	1.00
PSV/11/168	EMERGENCY SWITCH COVER	1.00
PSV/58/815	TEKNOWARE LED SPOT 12x0.5W WARM WHITE	1.00
PSV/58/815	TEKNOWARE LED SPOT 12x0.5W WARM WHITE	2.00
PSV/12/904	TEKNOWARE LED SPOT 6 x 0,25W	2.00
PSV/12/936	RECTANGULAR ROTARY AIR VENT	2.00
PSV/64/425	SIDE CONSOLE PANEL NBFL	1.00
PSV/51/304	CAB FLOOR KICKER PLATE	1.00
PSV/51/331	KICKER PANEL SEALER PLATE AT COLUMN BKT	1.00



W13-02131

NBFL CCTV ASSEMBLY - 16 CAMERAS



Stock Number	Description	Quantity
PSV/62/842	3 CORE (RED,BLACK,GREEN)	10.00
PSV/42/370	10K RESISTOR - RS No 132-731	5.00
PSV/62/869	21ST CENTURY CAMERA CABLE	66.00
PSV/62/869	21ST CENTURY CAMERA CABLE	104.00
PSV/62/869	21ST CENTURY CAMERA CABLE	40.00
PSV/42/434	21ST CENT -9 WAY CONNECTOR & PINS SOCKET	1.00
PSV/64/458	CAMERA GROUND	16.00





W13-02153

INT - FLAT MIRROR FOR VIEWING MID DOOR



Stock Number	Description	Quantity
PSV/64/575	INTERIOR MIRROR	1.00





W13-02163

INT FRONT - COAT HOOK AND STRAP



Stock Number	Description	Quantity
PSV/11/523	COAT HOOK - DOUBLE	1.00
PSV/45/553	DRIVERS COAT STRAP WITH STUD	1.00





W13-02167

FIRE EXTINGUISHER AND ASSOCIATED ITEMS



Stock Number	Description	Quantity
PSV/21/048	1lt FIRE EXT. C/W STRAP (SHRINKWRAPPED)	1.00
PSV/64/237	SPREADER PLATE FOR FIRE EXT. BKT	2.00
PSV/50/699	FIRE EXTINGUISHER ATTACHMENT BRACKET	1.00





W13-02181

INT FRONT - DRIVERS SUNBLIND



Stock Number	Description	Quantity
PSV/11/206	1M SUNBLIND PVC BLACK	1.00





W13-02558

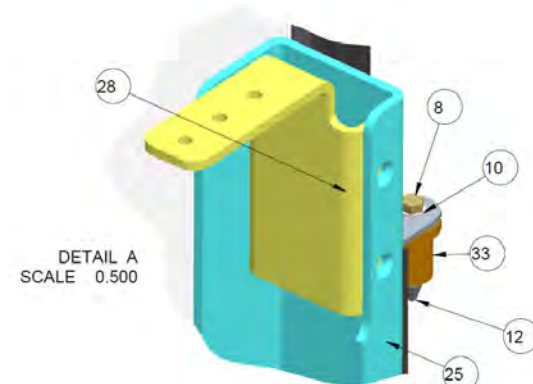
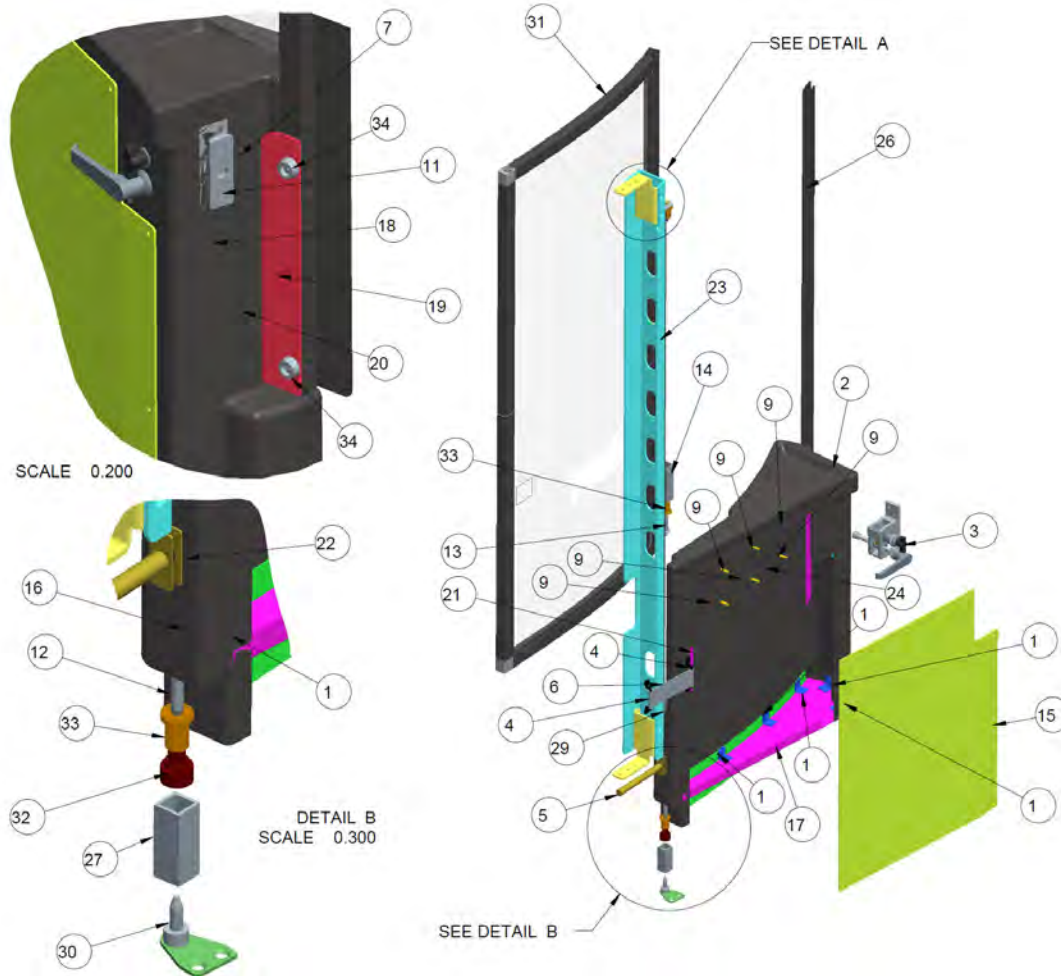
INT FRONT - NBFL CAB DOOR



Stock Number	Description	Quantity
PSV/62/214	CAB DOOR BONDING ANGLE	6.00
PSV/62/307	ALUM ANGLE 25x25x3mm (5M)	0.01
PSV/62/287	SIKA 209 PRIMER 250ml TIN	0.20
PSV/62/320	NBFL DRIVERS CAB DOOR RAL 7021	1.00
PSV/11/084	B9TL CAB DOOR LOCK - SHORT T-KEY	1.00
PSV/13/423	CHECK STRAP - STAPLE 2^	2.00
PSV/12/948	CONCEALED DOOR CLOSER	1.00
PSV/12/949	CAB DOOR CHECKSTRAP 48mm x 134mm BLACK	1.00
PSV/62/775	CAB DOOR LOCK FINISHER	1.00
PSV/11/620	B9 E4 CAB DOOR MID LOWER PIVOT PIN	2.00
PSV/51/252	B9 E4 CAB DOOR MID UPPER PIVOT PIN	1.00
PSV/64/431	CAB DOOR PIVOT BOX SECTION	1.00
PSV/64/432	CAB DOOR INNER - ALLOY SKIN	1.00
PSV/64/433	CAB DOOR INNER - ALLOY SKIN AT BOTTOM	1.00
PSV/64/434	CAB DOOR INNER - ALLOY SKIN BOTTOM HORIZ	1.00
PSV/64/435	CAB DOOR LATCH GROUND	1.00
PSV/64/436	CAB DOOR FRONT BONDING PLATE	1.00
PSV/64/437	CAB DOOR FRONT PLATE GROUND	1.00
PSV/64/438	CAB DOOR CHECK STRAP GROUND	1.00
PSV/64/439	CAB DOOR CONCEALED CLOSER GROUND	1.00
PSV/64/455	CAB DOOR HINGE GROUND ASSY AT STAIRS	1.00
PSV/64/456	CAB DOOR HINGE GROUND AT STAIRS	1.00
PSV/64/474	CAB DOOR POST FIXING	2.00
PSV/51/316	NBFL ASSAULT DOOR SCREEN BACKING PLATE	1.00
PSV/51/317	CAB DOOR REAR STAB GUARD	1.00
PSV/51/318	CAB DOOR FRONT STAB GUARD	1.00
PSV/64/462	CAB DOOR PIVOT BOX SECTION	1.00
PSV/11/402	DOOR BOLT STRIKER PLATE	1.00
PSV/64/469	DOOR BOLT STRIKER PLATE PACKER	2.00
PSV/64/538	HINGE BRACKET FOR CAB DOOR	1.00
PSV/64/539	HINGE BRACKET FOR CAB DOOR	1.00
PSV/64/541	HINGE BRACKET FOR CAB DOOR	1.00
PSV/64/480	CAB DOOR HINGE PIN	1.00
PSV/64/540	HINGE BRACKET FOR CAB DOOR	1.00
PSV/53/322	NBFL ASSAULT DOOR FRAMEWORK	1.00
PSV/53/579	B9TL E4 CAB DOOR LOWER PIVOT BUSHING	1.00
PSV/53/580	B9TL E4 CAB DOOR MID/UPPER PIVOT BUSHING	3.00
PSV/56/595	BLACK NATURAL RUBBER SCREW BUFFERS	2.00

**W13-02558
INTERIOR FRONT - CAB DOOR**

Index	PSV Ref	Description	Qty
1	PSV/62/214	CAB DOOR BONDING ANGLE	6
2	PSV/62/320	NBFL CAB DOOR SKIN	1
3	PSV/11/084	CAB DOOR LOCK	1
4	PSV/13/423	CHECK STRAP STAPLE	2
5	PSV/12/948	CONCEALED DOOR CLOSER	1
6	DEM-00262	CAB DOOR CHECKSTRAP 48MM x 134MM BLACK	1
7	PSV/62/775	CAB DOOR LOCK FINISHER	1
8	PSV/60/160	M6 X 20 CAD BOLT	1
9	PSV/13/371	M6x35mm BIG HEAD	6
10	PSV/61/242	3/16" BRIGHT STEEL WASHER	1
11	PSV/51/248	Door Keeper Strike Plate	1
12	PSV/11/620	B9TL SURO IV CAB DOOR DOWNWARD PIVOT PIN	2
13	PSV/51/252	B9TL EURO IV CAB DOOR UPWARD PIVOT PIN	1
14	PSV/64/431	25mm x 25mm BOX SECTION (3mm wall)	1
15	PSV/64/432	CAB DOOR INNER - ALLOY SKIN	1
16	PSV/64/433	CAB DOOR INNER - ALLOY SKIN AT BOTTOM	1
17	PSV/64/434	CAB DOOR INNER - ALLOY SKIN BOTTOM HORIZ	1
18	PSV/64/435	CAB DOOR LATCH GROUND	1
19	PSV/64/436	CAB DOOR FRONT BONDING PLATE	1
20	PSV/64/437	CAB DOOR FRONT PLATE GROUND	1
21	PSV/64/438	CAB DOOR CHECK STRAP GROUND	1
22	PSV/64/439	CAB DOOR CONCEALED CLOSER GROUND	1
23	PSV/64/455	CAB DOOR POST ASSEMBLY	1
24	PSV/51/316	Drivers door screen backing plate	1
25	PSV/51/317	CAB DOOR REAR STAB GUARD	1
26	PSV/51/318	STAB GUARD FRONT PLATE	1
27	PSV/64/462	25mm x 25mm BOX SECTION (3mm wall)	1
28	PSV/64/538	HINGE BRACKET FOR CAB DOOR	1
29	PSV/64/539	NBIL Cab door hinge	1
30	PSV/64/541	CAB DOOR LOWER HINGE PIN	1
31	PSV/53/322	ASSAULT DOOR FRAMEWORK	1
32	PSV/53/579	B9TL EURO IV CAB DOOR BOTTOM BUSHING	1
33	PSV/53/580	B9TL EURO IV CAB DOOR MID/UPPER BUSHING	3
34	PSV/56/595	BLACK RUBBER BUFFER	2

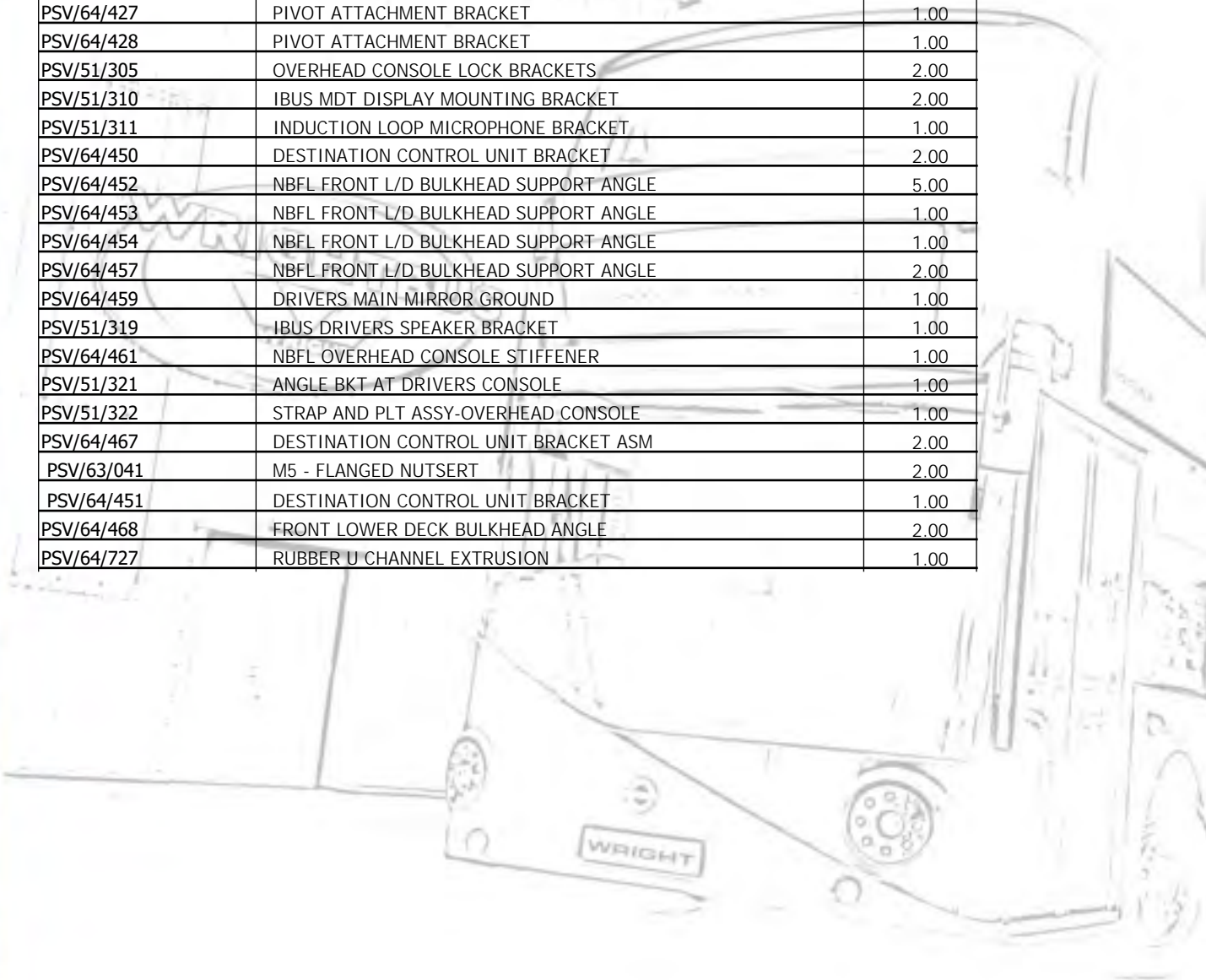


W13-02596

INTERIOR FIBREGLASS - UPPER DECK FIBREGL



Stock Number	Description	Quantity
PSV/62/192	40 X 20 SECTION	1.00
PSV/62/033	SEATRAIL SECTION 40x20 (5.5M)	0.04
PSV/62/395	NBFL DRIVERS OVERHEAD CONSOLE	1.00
PSV/62/396	NBFL FRONT L/D BULKHEAD	1.00
PSV/62/397	NBFL LD ENTRANCE CEILING PANEL	1.00
PSV/12/979	4 BOLT CORNER ASSEMBLY (STANDARD)	1.00
PSV/54/064	M8X15 TORX BUTTON SCREW PATCHED	4.00
PSV/54/063	ALUM ACCESSORY TOGGLE M8	4.00
PSV/38/238	4 BOLT CORNER	1.00
PSV/12/347	SQUARE LOCK	2.00
PSV/62/884	LOUDSPEAKER GRILL	2.00
PSV/64/426	NBFL DRIVERS SIDE SUNBLIND ANGLE	1.00
PSV/64/427	PIVOT ATTACHMENT BRACKET	1.00
PSV/64/428	PIVOT ATTACHMENT BRACKET	1.00
PSV/51/305	OVERHEAD CONSOLE LOCK BRACKETS	2.00
PSV/51/310	IBUS MDT DISPLAY MOUNTING BRACKET	2.00
PSV/51/311	INDUCTION LOOP MICROPHONE BRACKET	1.00
PSV/64/450	DESTINATION CONTROL UNIT BRACKET	2.00
PSV/64/452	NBFL FRONT L/D BULKHEAD SUPPORT ANGLE	5.00
PSV/64/453	NBFL FRONT L/D BULKHEAD SUPPORT ANGLE	1.00
PSV/64/454	NBFL FRONT L/D BULKHEAD SUPPORT ANGLE	1.00
PSV/64/457	NBFL FRONT L/D BULKHEAD SUPPORT ANGLE	2.00
PSV/64/459	DRIVERS MAIN MIRROR GROUND	1.00
PSV/51/319	IBUS DRIVERS SPEAKER BRACKET	1.00
PSV/64/461	NBFL OVERHEAD CONSOLE STIFFENER	1.00
PSV/51/321	ANGLE BKT AT DRIVERS CONSOLE	1.00
PSV/51/322	STRAP AND PLT ASSY-OVERHEAD CONSOLE	1.00
PSV/64/467	DESTINATION CONTROL UNIT BRACKET ASM	2.00
PSV/63/041	M5 - FLANGED NUTSERT	2.00
PSV/64/451	DESTINATION CONTROL UNIT BRACKET	1.00
PSV/64/468	FRONT LOWER DECK BULKHEAD ANGLE	2.00
PSV/64/727	RUBBER U CHANNEL EXTRUSION	1.00

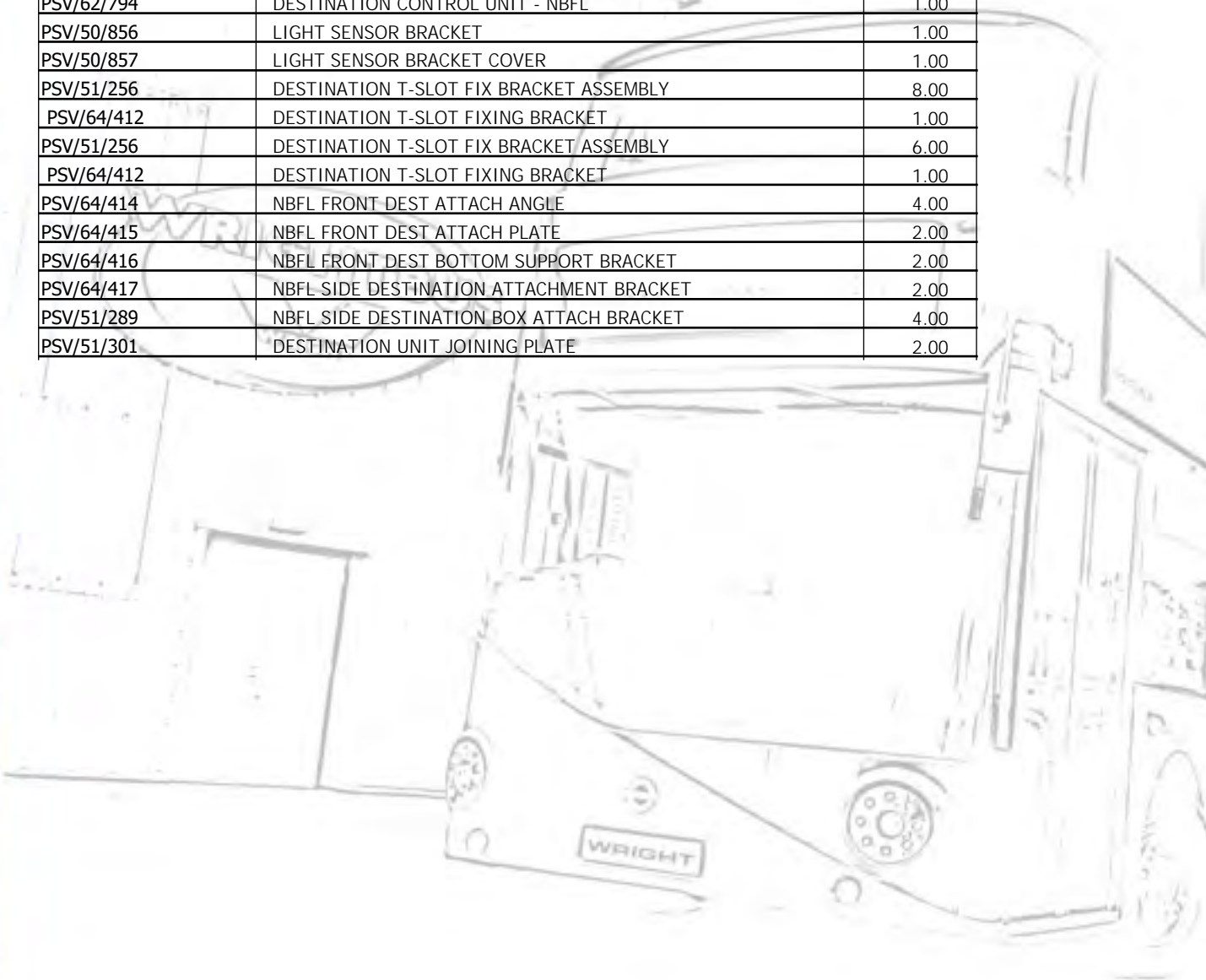


W13-02597

NBFL DESTINATION EQUIPMENT



Stock Number	Description	Quantity
PSV/62/213	NBFL FRONT DEST SUPPORT 20 x 40 RAIL	2.00
PSV/62/033	SEATRAIL SECTION 40x20 (5.5M)	0.16
PSV/62/416	FRONT SIDE DESTINATION COVER	1.00
PSV/62/786	MOBITECH DESTINATION CABLES 3.5M	2.00
PSV/62/787	MOBITECH SIDE DESTINATION CABLES 8.5M	1.00
PSV/62/788	MOBITECH REAR DESTINATION CABLES 18.5M	1.00
PSV/62/789	CONTROL UNIT/CONNECTION BOX CABLE - 3M	1.00
PSV/62/790	FRONT DESTINATION UNIT- NBFL SMARTBLIND	1.00
PSV/62/791	SIDE DESTINATION UNIT- NBFL SMARTBLIND	1.00
PSV/62/792	FRONT/REAR NUMBER DEST UNIT - NBFL SMART	1.00
PSV/62/792	FRONT/REAR NUMBER DEST UNIT - NBFL SMART	1.00
PSV/62/793	DESTINATION UNIT CONNECTION BOX	1.00
PSV/62/794	DESTINATION CONTROL UNIT - NBFL	1.00
PSV/50/856	LIGHT SENSOR BRACKET	1.00
PSV/50/857	LIGHT SENSOR BRACKET COVER	1.00
PSV/51/256	DESTINATION T-SLOT FIX BRACKET ASSEMBLY	8.00
PSV/64/412	DESTINATION T-SLOT FIXING BRACKET	1.00
PSV/51/256	DESTINATION T-SLOT FIX BRACKET ASSEMBLY	6.00
PSV/64/412	DESTINATION T-SLOT FIXING BRACKET	1.00
PSV/64/414	NBFL FRONT DEST ATTACH ANGLE	4.00
PSV/64/415	NBFL FRONT DEST ATTACH PLATE	2.00
PSV/64/416	NBFL FRONT DEST BOTTOM SUPPORT BRACKET	2.00
PSV/64/417	NBFL SIDE DESTINATION ATTACHMENT BRACKET	2.00
PSV/51/289	NBFL SIDE DESTINATION BOX ATTACH BRACKET	4.00
PSV/51/301	DESTINATION UNIT JOINING PLATE	2.00



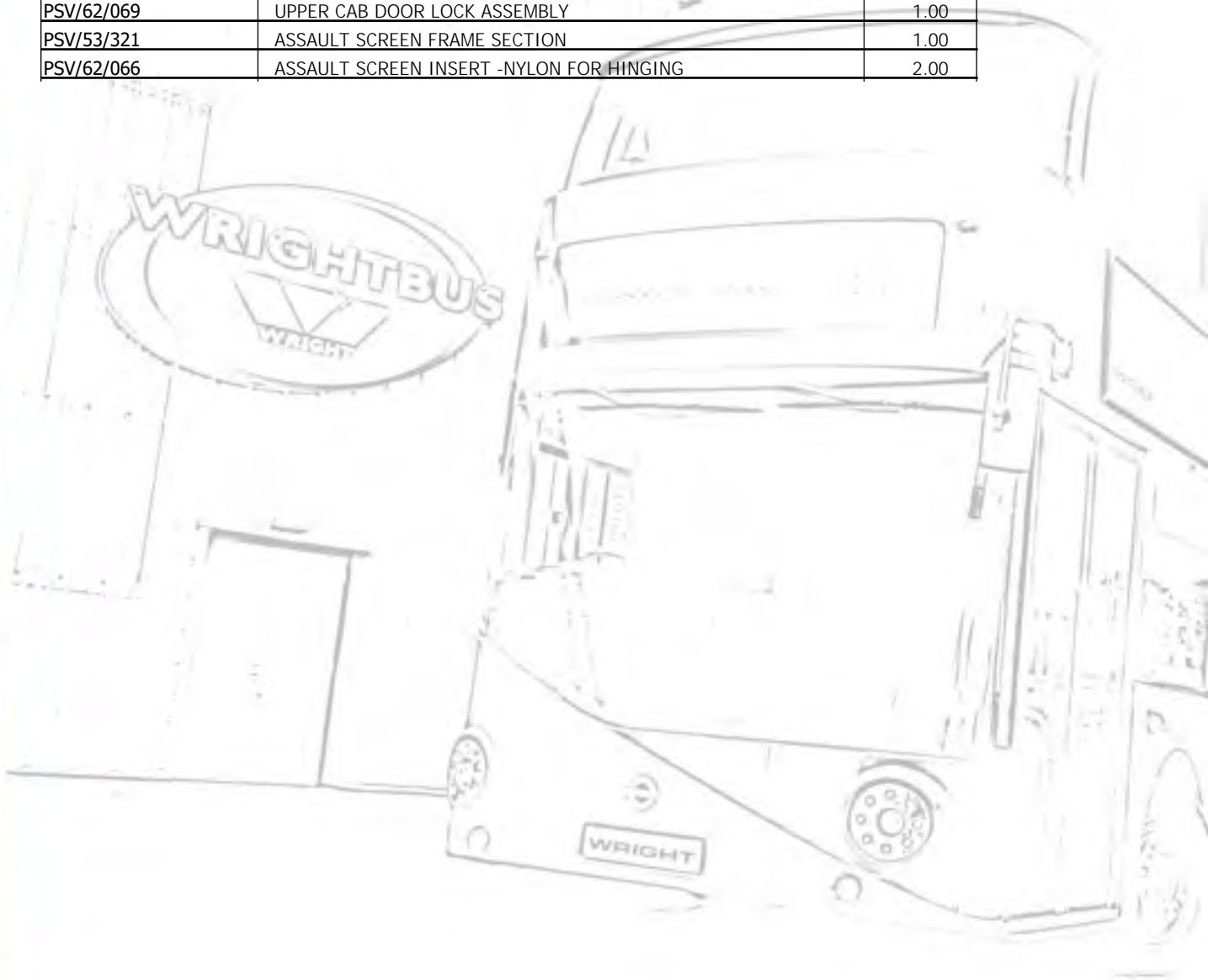


W13-02784

FORWARD ASSAULT SCREEN

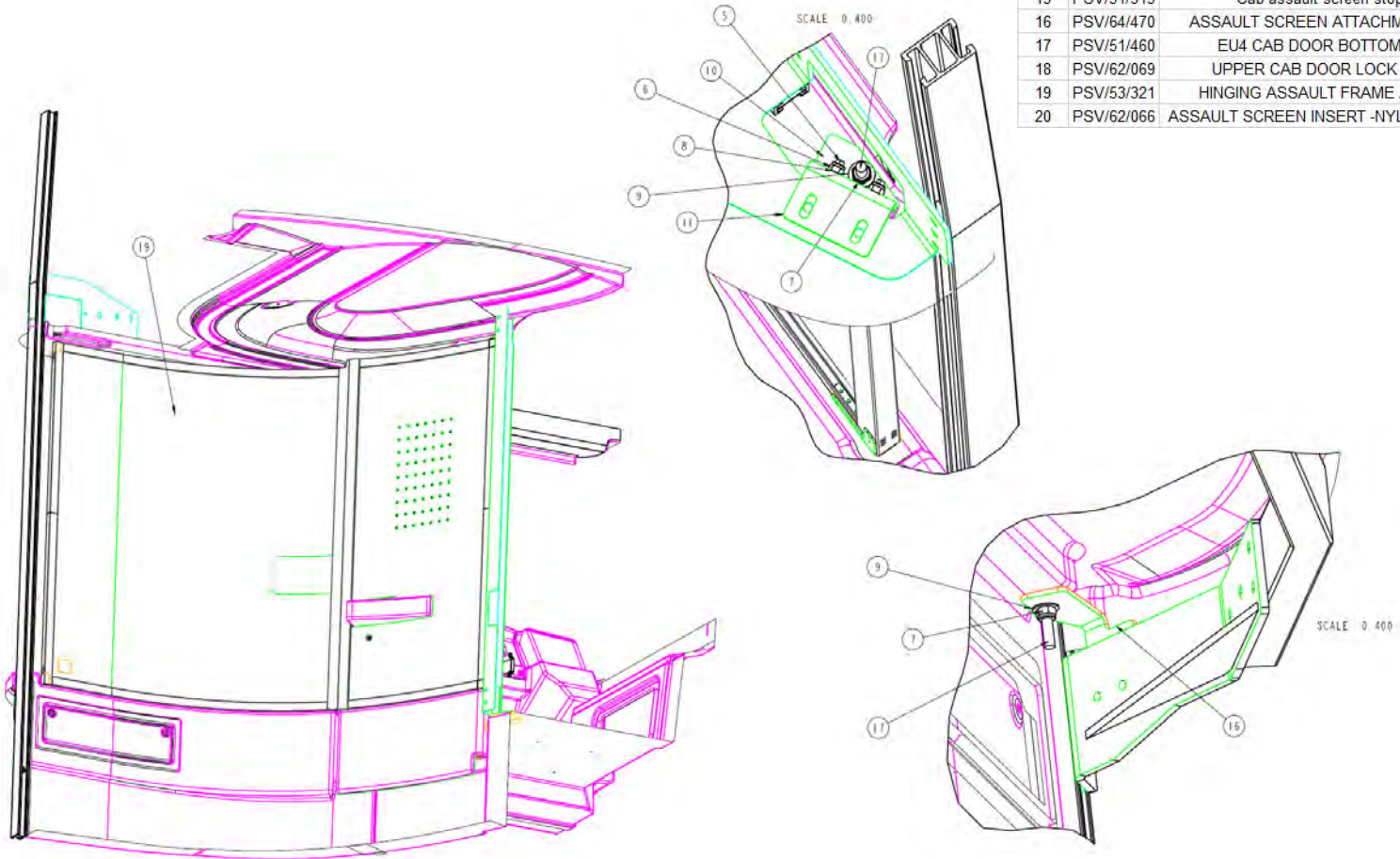


Stock Number	Description	Quantity
PSV/12/954	SOUTHCO E5 CAM LATCH WITH WING KNOB	1.00
PSV/41/289	SOUTHCO CAM	1.00
PSV/42/389	ELECTRO MAGNET ARMATURE PLATE	2.00
PSV/42/390	ELECTRO MAGNET 24VDC GMHX040X100D1024	2.00
PSV/64/422	ASSAULT FRAME TOP ATTACHMENT ANGLE	1.00
PSV/64/423	ASSAULT FRAME TOP ATTACHMENT ANGLE	1.00
PSV/51/298	ELECTROMAGNET GROUND	1.00
PSV/51/300	ELECTROMAGNET ATTACHMENT BRACKET TOP	2.00
PSV/64/460	ELECTROMAGNET ATTACHMENT BRACKET	2.00
PSV/51/315	NBFL ASSAULT SCREEN TOP STOPPER BRACKET	1.00
PSV/64/470	ASSAULT SCREEN ATTACHMENT BRACKET	1.00
PSV/51/460	CAB DOOR LOWER HINGE PIN	2.00
PSV/62/069	UPPER CAB DOOR LOCK ASSEMBLY	1.00
PSV/53/321	ASSAULT SCREEN FRAME SECTION	1.00
PSV/62/066	ASSAULT SCREEN INSERT -NYLON FOR HINGING	2.00



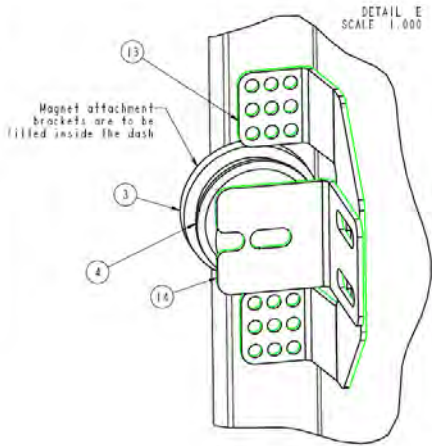
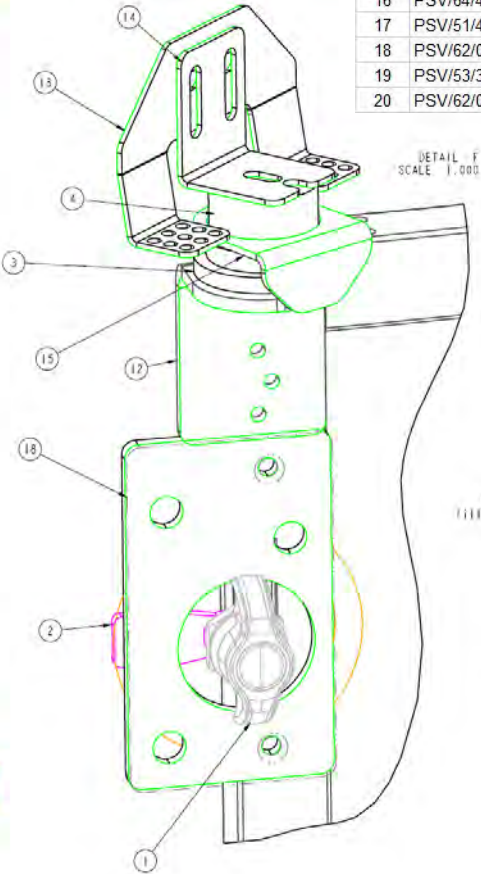
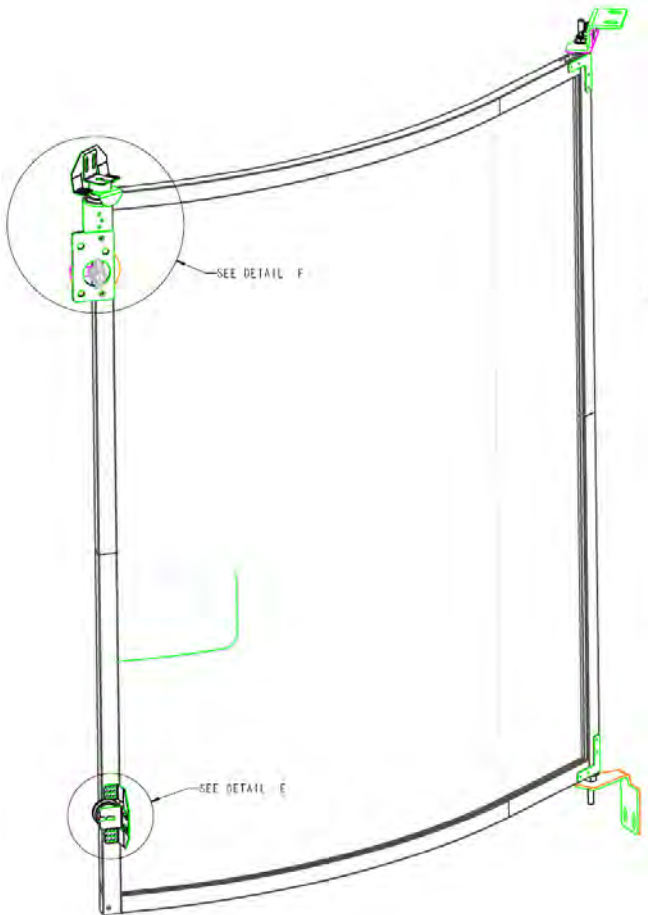
**W13-02784
INTERIOR FRONT - FORWARD ASSAULT SCREEN**

Index	PSV Ref	Description	Qty
1	PSV/12/954	SOUTH CO LATCH E5-9-305-0U1-13	1
2	PSV/41/289	SOUTHCO PAWL E5 6010-YY	1
3	PSV/42/389	ELECTRO MAGNET ARMATURE PLATE	2
4	PSV/42/390	ELECTRO MAGNET 24VDC GMHX040X100D1024	2
5	PSV/63/029	M8x25 CSK SOCKET M/SCREW	2
6	PSV/43/667	M8 CAD PLATED NYLOC NUT	2
7	PSV/60/826	MIO HITENS. 10.9T NYLOCK	2
8	PSV/60/163	8mm FLAT WASHER	2
9	PSV/61/263	MIO CAD PLATED WASHER	2
10	PSV/64/422	ASSAULT FRAME TOP ATTACHMENT ANGLE	1
11	PSV/64/423	ASSAULT FRAME TOP ATTACHMENT ANGLE	1
12	PSV/51/298	ELECTROMAGNET GROUND	1
13	PSV/51/300	Electromagnet mounting bracket	2
14	PSV/64/460	Electromagnet mounting bracket	2
15	PSV/51/315	Cab assault screen stopper plate	1
16	PSV/64/470	ASSAULT SCREEN ATTACHMENT BRACKET	1
17	PSV/51/460	EU4 CAB DOOR BOTTOM PIVOT PIN	2
18	PSV/62/069	UPPER CAB DOOR LOCK ASSEMBLY	1
19	PSV/53/321	HINGING ASSAULT FRAME AND SCREEN	1
20	PSV/62/066	ASSAULT SCREEN INSERT -NYLON FOR HINGING	2



INTERIOR FRONT - FORWARD ASSAULT SCREEN
W13-02784

Index	PSV Ref	Description	Qty
1	PSV/12/954	SOUTH CO LATCH E5-9-305-0U1-13	1
2	PSV/41/289	SOUTHCO PAWL E5 6010-YY	1
3	PSV/42/389	ELECTRO MAGNET ARMATURE PLATE	2
4	PSV/42/390	ELECTRO MAGNET 24VDC GMHX040X100D1024	2
5	PSV/63/029	M8x25 CSK SOCKET M/SCREW	2
6	PSV/43/667	M8 CAD PLATED NYLOC NUT	2
7	PSV/60/826	MIO HITENS. 10.9T NYLOCK	2
8	PSV/60/163	8mm FLAT WASHER	2
9	PSV/61/263	MIO CAD PLATED WASHER	2
10	PSV/64/422	ASSAULT FRAME TOP ATTACHMENT ANGLE	1
11	PSV/64/423	ASSAULT FRAME TOP ATTACHMENT ANGLE	1
12	PSV/51/298	ELECTROMAGNET GROUND	1
13	PSV/51/300	Electromagnet mounting bracket	2
14	PSV/64/460	Electromagnet mounting bracket	2
15	PSV/51/315	Cab assault screen stopper plate	1
16	PSV/64/470	ASSAULT SCREEN ATTACHMENT BRACKET	1
17	PSV/51/460	EU4 CAB DOOR BOTTOM PIVOT PIN	2
18	PSV/62/069	UPPER CAB DOOR LOCK ASSEMBLY	1
19	PSV/53/321	HINGING ASSAULT FRAME AND SCREEN	1
20	PSV/62/066	ASSAULT SCREEN INSERT -NYLON FOR HINGING	2



W14-03604

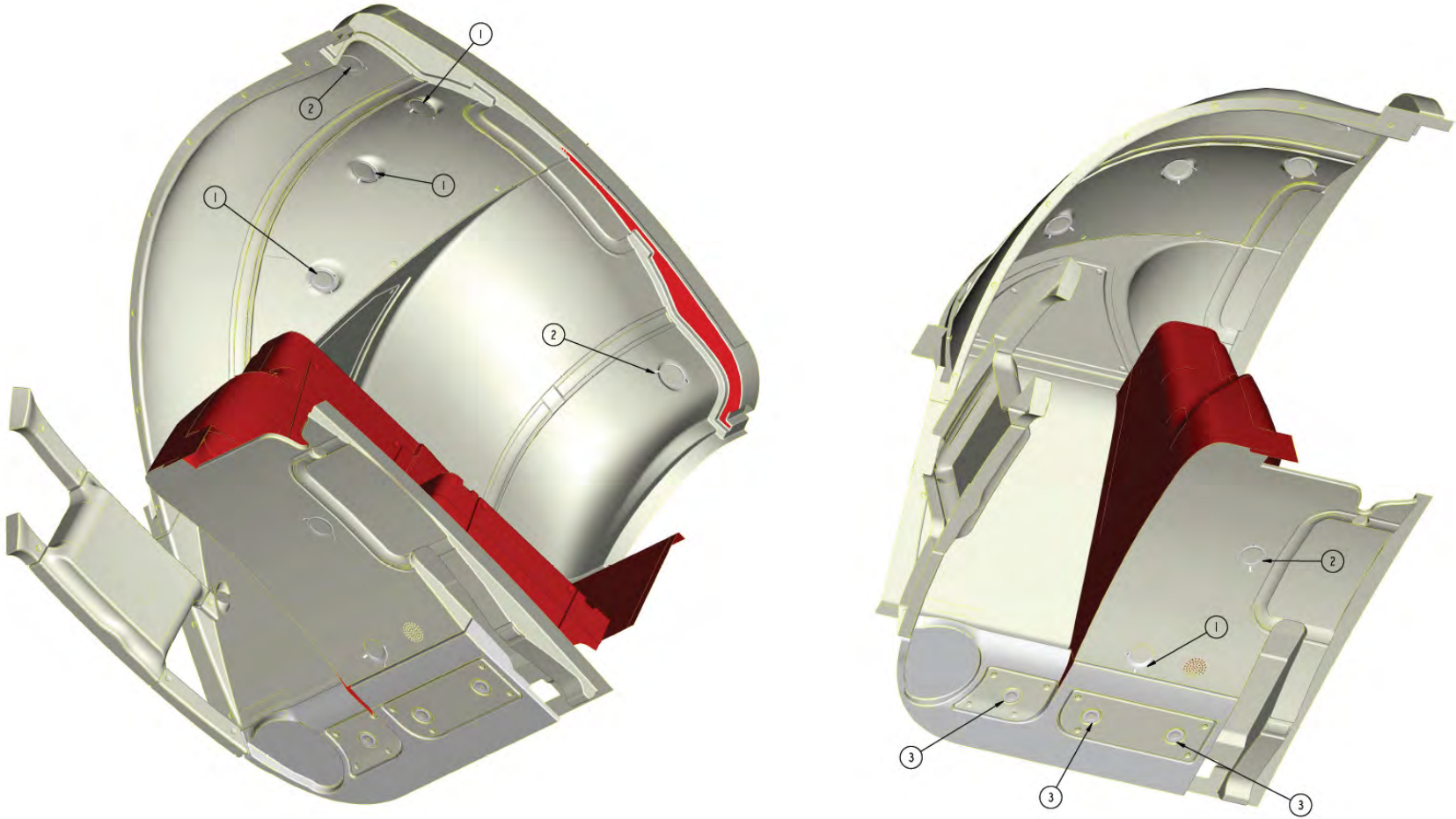
NBFL REAR INTERIOR LIGHTS



Stock Number	Description	Quantity
PSV/58/815	TEKNOWARE LED SPOT 12x0.5W WARM WHITE	3.00
PSV/07/842	TEKNOWARE LED SPOT 12x0.5W WARM WHITE	4.00
PSV/12/904	TEKNOWARE LED SPOT 6 x 0,25W	3.00



Index	PSV Ref	Description	Qty
1	PSV/07/842	LED SPOT 12x0.5W WARM WHITE	4
2	PSV/58/815	LED SPOT 12x0.5W WARM WHITE	3
3	PSV/12/904	TEKNOWARE LED SPOT LIGHT RAL 7044	3



W14-03604
INTERIOR - REAR INTERIOR SPOTLIGHTS

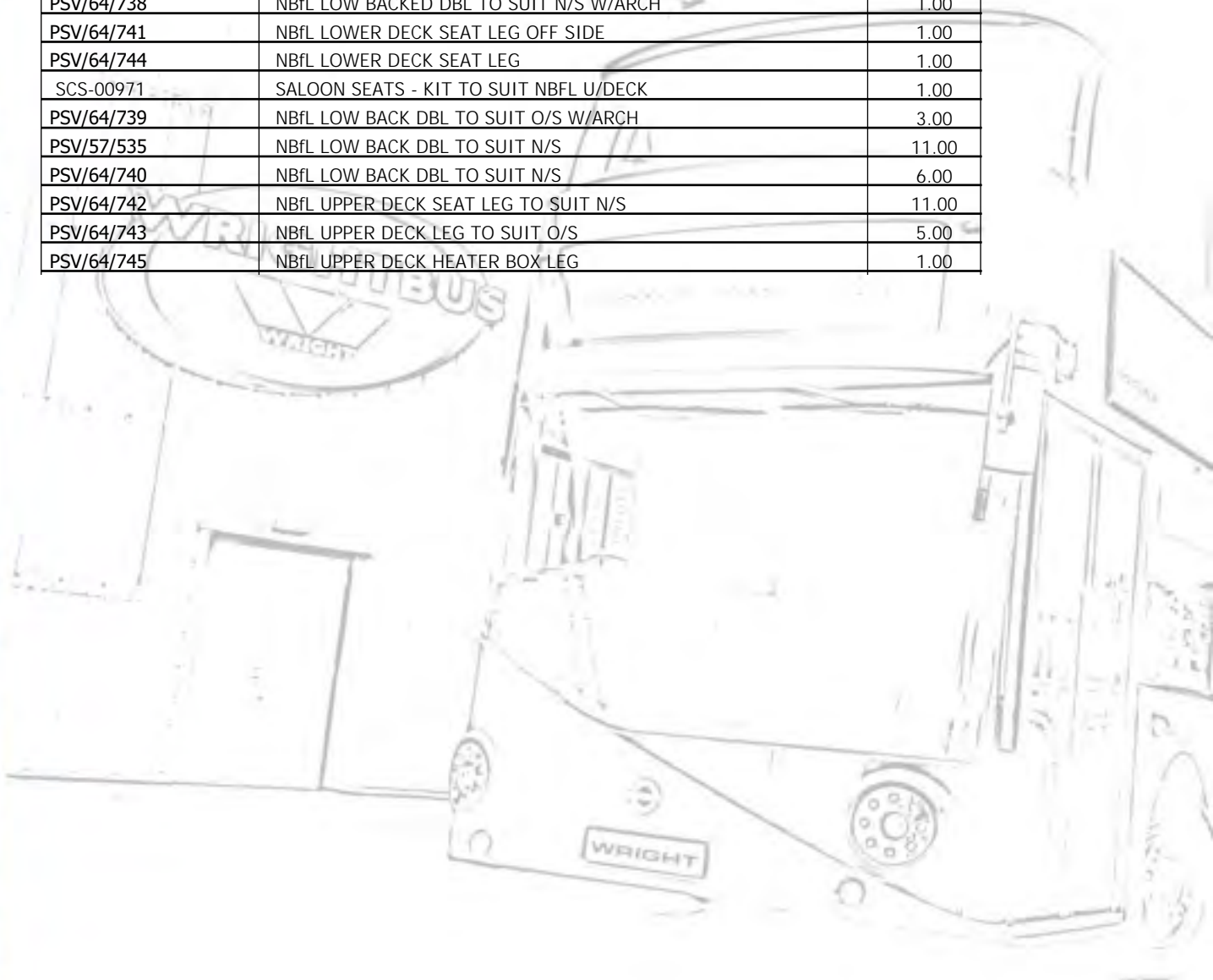


W14-03621

INTERIOR - SALOON SEATS-CHASSIS/CUS-2328

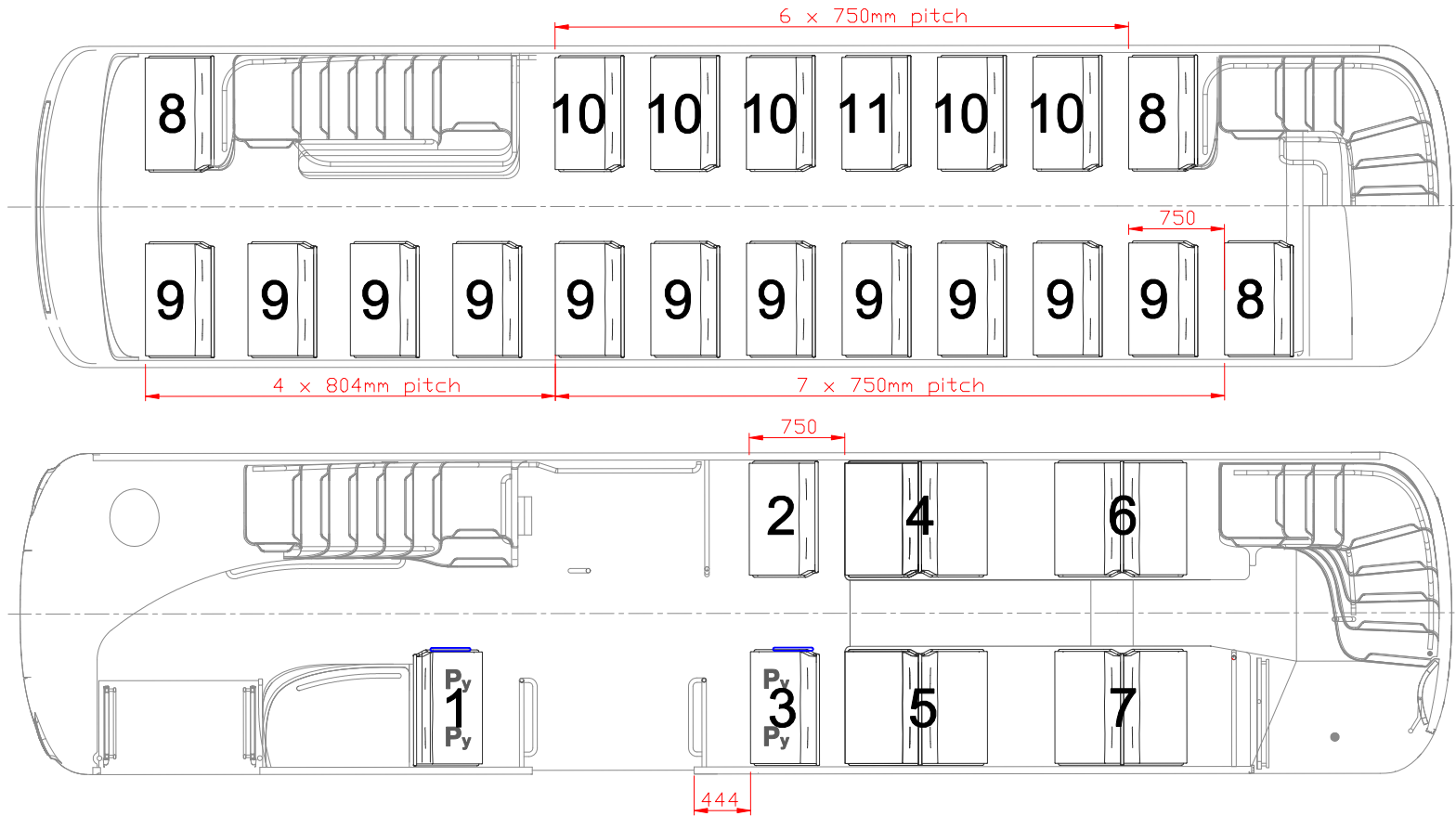


Stock Number	Description	Quantity
PSV/63/201	HEAD BUMP PAD ASSEMBLY FOR NBFL	1.00
PSV/63/200	HEAD BUMP PAD ASSEMBLY FOR NBFL	1.00
PSV/64/746	BRACKET - W/CHAIR PAD - LOWER	1.00
PSV/64/747	BRACKET - W/CHAIR PAD - UPPER	2.00
PSV/56/595	BLACK NATURAL RUBBER SCREW BUFFERS	8.00
PSV/64/730	SALOON SEATS - KIT TO SUIT NBFL L/DECK	1.00
PSV/64/732	NBfL LOW BACKED FRONT WHEELARCH SEAT	1.00
PSV/64/733	NBfL LOW BACKED DBL TO SUIT O/S	1.00
PSV/64/734	NBfL LOW BACKED DBL TO SUIT N/S	1.00
PSV/64/735	NBfL HIGH BACKED DBL TO SUIT O/S W/ARCH	1.00
PSV/64/736	NBfL HIGH BACKED DBL TO SUIT N/S W/ARCH	1.00
PSV/64/737	NBfL LOW BACKED DBL TO SUIT O/S W/ARCH	1.00
PSV/64/738	NBfL LOW BACKED DBL TO SUIT N/S W/ARCH	1.00
PSV/64/741	NBfL LOWER DECK SEAT LEG OFF SIDE	1.00
PSV/64/744	NBfL LOWER DECK SEAT LEG	1.00
SCS-00971	SALOON SEATS - KIT TO SUIT NBFL U/DECK	1.00
PSV/64/739	NBfL LOW BACK DBL TO SUIT O/S W/ARCH	3.00
PSV/57/535	NBfL LOW BACK DBL TO SUIT N/S	11.00
PSV/64/740	NBfL LOW BACK DBL TO SUIT N/S	6.00
PSV/64/742	NBfL UPPER DECK SEAT LEG TO SUIT N/S	11.00
PSV/64/743	NBfL UPPER DECK LEG TO SUIT O/S	5.00
PSV/64/745	NBfL UPPER DECK HEATER BOX LEG	1.00



INTERIOR - SALOON SEATS

W14-03621



Lower Deck NBfL Seating Kit - SCS-00970

Seat	Qty.	Seat	Mount	Seat Leg 1	Seat Leg 2	Side Bracket	Base brackets	Arm rest	Top rail	Back shell
1	1	SEL-00984	BOX	NO	NO	NO	YES	YES - L/H	YES	YES
2	1	SEL-00985	LEGS	SEL-01033	NO	YES	NO	NO	YES	YES
3	1	SEL-00986	LEGS	SEL-01036	NO	YES	NO	YES - R/H	YES	YES
4	1	SEL-00987	BOX	NO	NO	NO	YES	Welded on	Single	NO
5	1	SEL-00988	BOX	NO	NO	NO	YES	Welded on	Single	NO
6	1	SEL-00989	BOX	NO	NO	NO	YES	Welded on	Single	NO
7	1	SEL-00990	BOX	NO	NO	NO	YES	Welded on	Single	NO

Total - 27 seat frames (incl. 4 quads)
19 seat legs

Upper Deck NBfL Seating Kit - SCS-00971

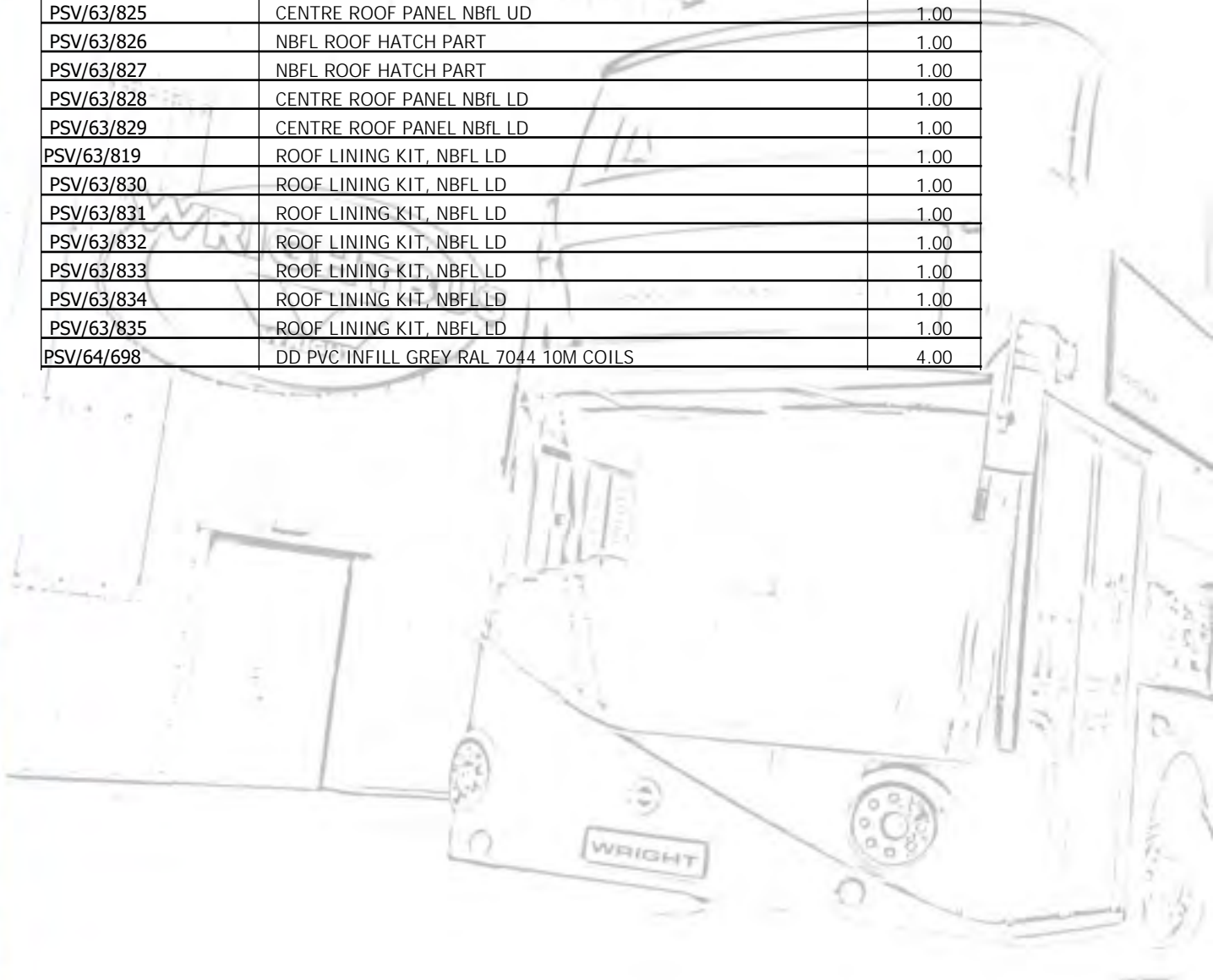
Seat	Qty.	Seat	Mount	Seat Leg 1	Seat Leg 2	Side Bracket	Base brackets	Arm rest	Top rail	Back shell
8	3	SEL-00993	BOX	NO	NO	NO	YES	NO	YES	YES
9	11	SEL-00994	LEGS	SEL-01034	NO	YES	NO	NO	YES	YES
10	5	SEL-00995	LEGS	SEL-01035	NO	YES	NO	NO	YES	YES
11	1	SEL-00995	LEGS	SEL-01037	NO	YES	NO	NO	YES	YES

W14-04022

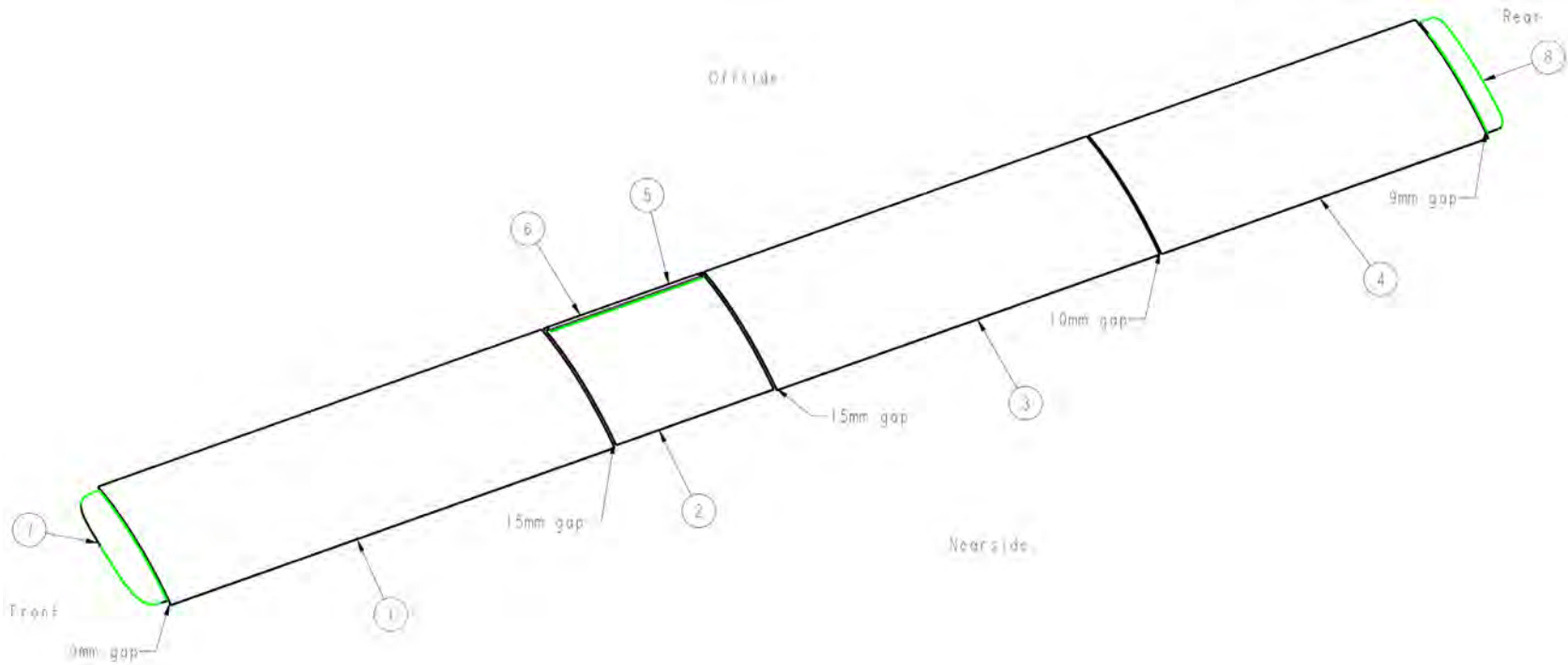
INTERIOR - ROOF LININGS, NBFL



Stock Number	Description	Quantity
PSV/62/276	ADH SIKA 205 CLEAN 1 LITRE	0.60
PSV/62/276	ADH SIKA 205 CLEAN 1 LITRE	0.25
PSV/62/281	SIKA 552 WHITE 600ML SAUSAGE	6.50
PSV/62/281	SIKA 552 WHITE 600ML SAUSAGE	2.00
PSV/62/296	TAPE INSEAL 1.5x25MMx50M	15.00
PSV/62/296	TAPE INSEAL 1.5x25MMx50M	16.00
PSV/63/763	LARGE DOUBLE EDGE BEADING 2.5MM HEIGHT	1.66
PSV/63/763	LARGE DOUBLE EDGE BEADING 2.5MM HEIGHT	1.33
PSV/63/818	ROOF LINING KIT, NBFL UD	1.00
PSV/63/822	CENTRE ROOF PANEL NBFL UD	1.00
PSV/63/823	CENTRE ROOF PANEL NBFL UD	1.00
PSV/63/824	CENTRE ROOF PANEL NBFL UD	1.00
PSV/63/825	CENTRE ROOF PANEL NBFL UD	1.00
PSV/63/826	NBFL ROOF HATCH PART	1.00
PSV/63/827	NBFL ROOF HATCH PART	1.00
PSV/63/828	CENTRE ROOF PANEL NBFL LD	1.00
PSV/63/829	CENTRE ROOF PANEL NBFL LD	1.00
PSV/63/819	ROOF LINING KIT, NBFL LD	1.00
PSV/63/830	ROOF LINING KIT, NBFL LD	1.00
PSV/63/831	ROOF LINING KIT, NBFL LD	1.00
PSV/63/832	ROOF LINING KIT, NBFL LD	1.00
PSV/63/833	ROOF LINING KIT, NBFL LD	1.00
PSV/63/834	ROOF LINING KIT, NBFL LD	1.00
PSV/63/835	ROOF LINING KIT, NBFL LD	1.00
PSV/64/698	DD PVC INFILL GREY RAL 7044 10M COILS	4.00

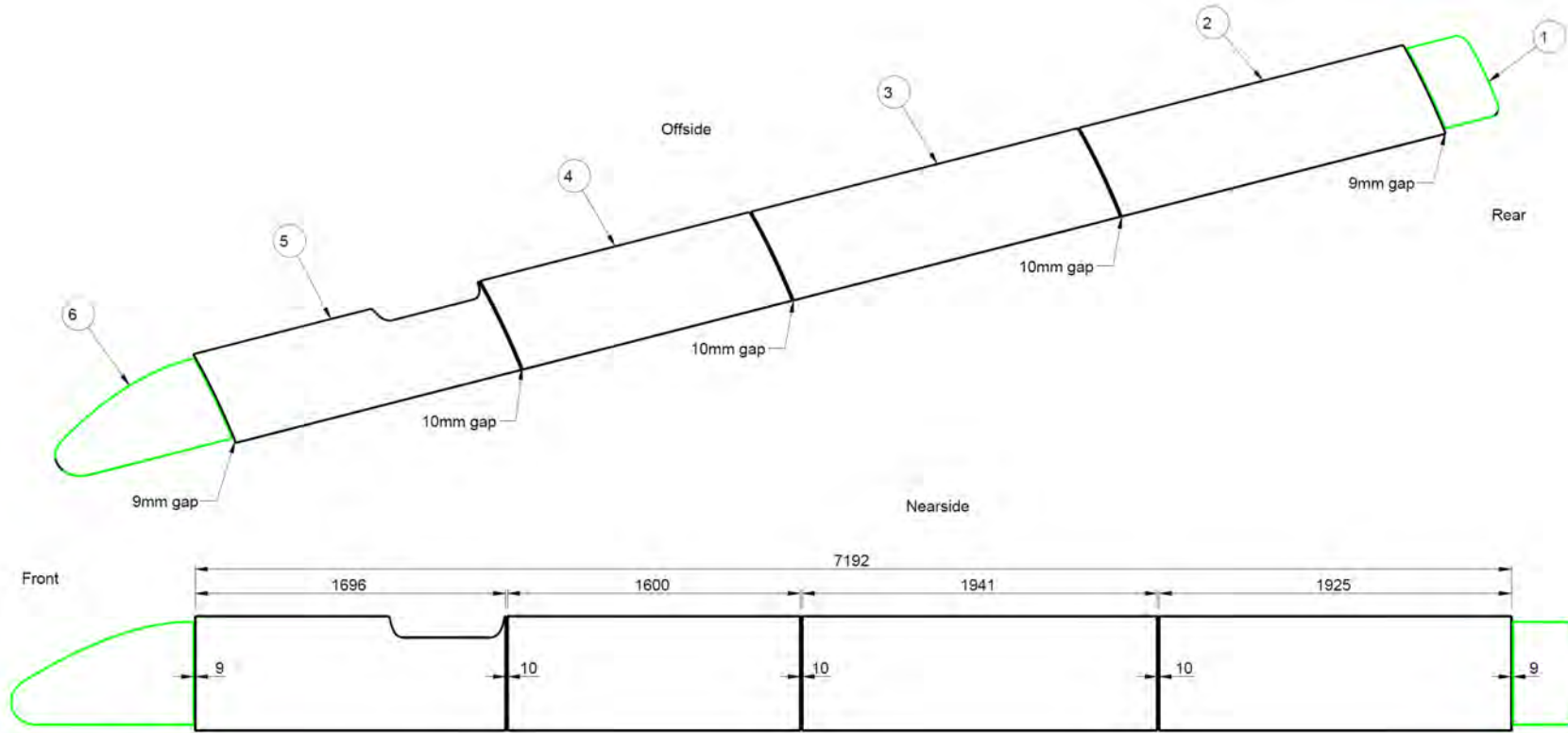


Index	PSV Ref	Description	Qty
1	PSV/63/822	CENTRE ROOF PANEL NBFL UD	1
2	PSV/63/823	CENTRE ROOF PANEL NBFL UD	1
3	PSV/63/824	CENTRE ROOF PANEL NBFL UD	1
4	PSV/63/825	CENTRE ROOF PANEL NBFL UD	1
5	PSV/63/826	NBFL ROOF HATCH PART	1
6	PSV/63/827	NBFL ROOF HATCH PART	1
7	PSV/63/828	CENTRE ROOF PANEL NBFL UD	1
8	PSV/63/829	CENTRE ROOF PANEL NBFL UD	1



W14-04022 - ILK-01084
 INTERIOR - ROOF LININGS - UPPER DECK

Index	PSV Ref	Description	Qty
1	PSV/63/830	CENTRE ROOF PANEL NBFL LD	1
2	PSV/63/831	CENTRE ROOF PANEL NBFL LD	1
3	PSV/63/832	CENTRE ROOF PANEL NBFL LD	1
4	PSV/63/833	CENTRE ROOF PANEL NBFL LD	1
5	PSV/63/834	CENTRE ROOF PANEL NBFL LD	1
6	PSV/63/835	CENTRE ROOF PANEL NBFL LD	1



W14-04022 - ILK-01109
 INTERIOR - ROOF LININGS - LOWER DECK



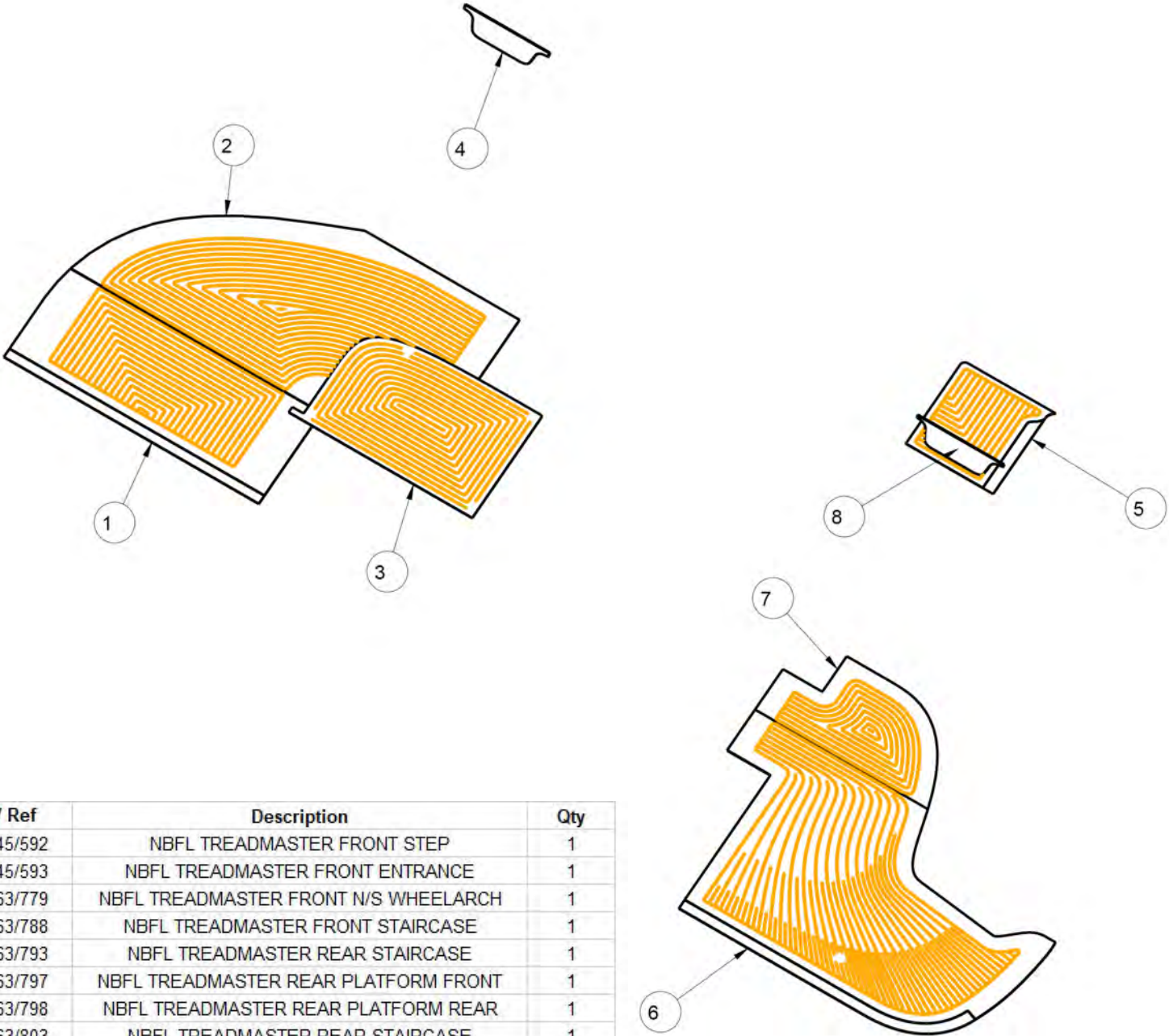
W14-04347

INTERIOR - FLOOR COVERING, TREADMASTER



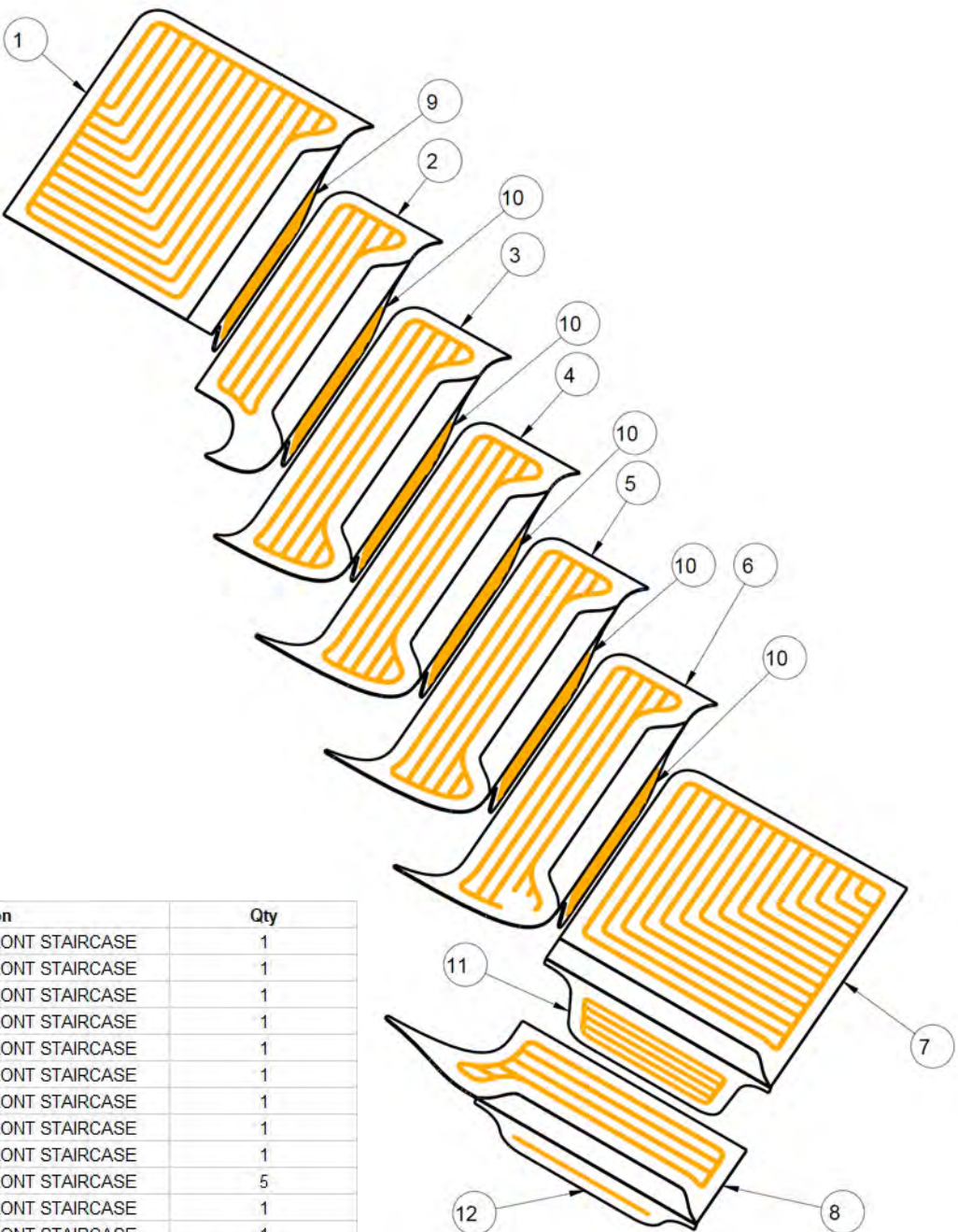
Stock Number	Description	Quantity
PSV/62/277	TREMCO TREADFAST 1635 Pt	0.20
PSV/62/278	TREMCO TREADFAST 1635 Pt	0.20
PSV/62/292	SEALER TO SUIT RAL 8028	0.50
PSV/62/989	FLOOR COVERING KIT, NBFL TREADMASTER	1.00
PSV/45/592	FLOORCOVERING, TREADMASTER	1.00
PSV/45/593	FLOORCOVERING, TREADMASTER	1.00
PSV/63/779	FLOORCOVERING, TREADMASTER	1.00
PSV/63/788	FLOORCOVERING, TREADMASTER	1.00
PSV/63/793	FLOORCOVERING, TREADMASTER	1.00
PSV/63/797	FLOORCOVERING, TREADMASTER	1.00
PSV/63/798	FLOORCOVERING, TREADMASTER	1.00
PSV/63/803	FLOORCOVERING, TREADMASTER	1.00
PSV/62/990	STAIR COVER KIT,NBFL,TREADMASTER,FRONT	1.00
PSV/63/780	FLOORCOVERING, TREADMASTER	1.00
PSV/63/781	FLOORCOVERING, TREADMASTER	1.00
PSV/63/782	FLOORCOVERING, TREADMASTER	1.00
PSV/63/783	FLOORCOVERING, TREADMASTER	1.00
PSV/63/784	FLOORCOVERING, TREADMASTER	1.00
PSV/63/785	FLOORCOVERING, TREADMASTER	1.00
PSV/63/786	FLOORCOVERING, TREADMASTER	1.00
PSV/63/787	FLOORCOVERING, TREADMASTER	1.00
PSV/63/789	FLOORCOVERING, TREADMASTER	1.00
PSV/63/790	FLOORCOVERING, TREADMASTER	5.00
PSV/63/791	FLOORCOVERING, TREADMASTER	1.00
PSV/63/792	FLOORCOVERING, TREADMASTER	1.00
PSV/62/991	STAIR COVER KIT,NBFL,TREADMASTER,REAR	1.00
PSV/63/794	FLOORCOVERING, TREADMASTER	1.00
PSV/63/795	FLOORCOVERING, TREADMASTER	1.00
PSV/63/796	FLOORCOVERING, TREADMASTER	1.00
PSV/63/799	FLOORCOVERING, TREADMASTER	1.00
PSV/63/800	FLOORCOVERING, TREADMASTER	1.00
PSV/63/801	FLOORCOVERING, TREADMASTER	1.00
PSV/63/802	FLOORCOVERING, TREADMASTER	1.00
PSV/63/804	FLOORCOVERING, TREADMASTER	1.00
PSV/63/805	FLOORCOVERING, TREADMASTER	1.00
PSV/63/806	FLOORCOVERING, TREADMASTER	1.00
PSV/63/807	FLOORCOVERING, TREADMASTER	1.00
PSV/63/808	FLOORCOVERING, TREADMASTER	1.00
PSV/63/809	FLOORCOVERING, TREADMASTER	1.00
PSV/63/810	FLOORCOVERING, TREADMASTER	1.00
PSV/63/811	FLOORCOVERING, TREADMASTER	1.00
PSV/62/992	CONDUCTORS LOCKER BOX FLOOR COVERING KIT	1.00
PSV/63/812	CONDUCTORS LOCKER BOX FLOOR COVERING	2.00
PSV/63/813	CONDUCTORS LOCKER BOX FLOOR COVERING	1.00
PSV/63/814	CONDUCTORS LOCKER BOX FLOOR COVERING	1.00
PSV/63/815	CONDUCTORS LOCKER BOX FLOOR COVERING	1.00
PSV/63/816	CONDUCTORS LOCKER BOX FLOOR COVERING	1.00

W14-04347 - FCK-00672
INTERIOR - FLOOR COVERING - TREADMASTER



Index	PSV Ref	Description	Qty
1	PSV/45/592	NBFL TREADMASTER FRONT STEP	1
2	PSV/45/593	NBFL TREADMASTER FRONT ENTRANCE	1
3	PSV/63/779	NBFL TREADMASTER FRONT N/S WHEELARCH	1
4	PSV/63/788	NBFL TREADMASTER FRONT STAIRCASE	1
5	PSV/63/793	NBFL TREADMASTER REAR STAIRCASE	1
6	PSV/63/797	NBFL TREADMASTER REAR PLATFORM FRONT	1
7	PSV/63/798	NBFL TREADMASTER REAR PLATFORM REAR	1
8	PSV/63/803	NBFL TREADMASTER REAR STAIRCASE	1

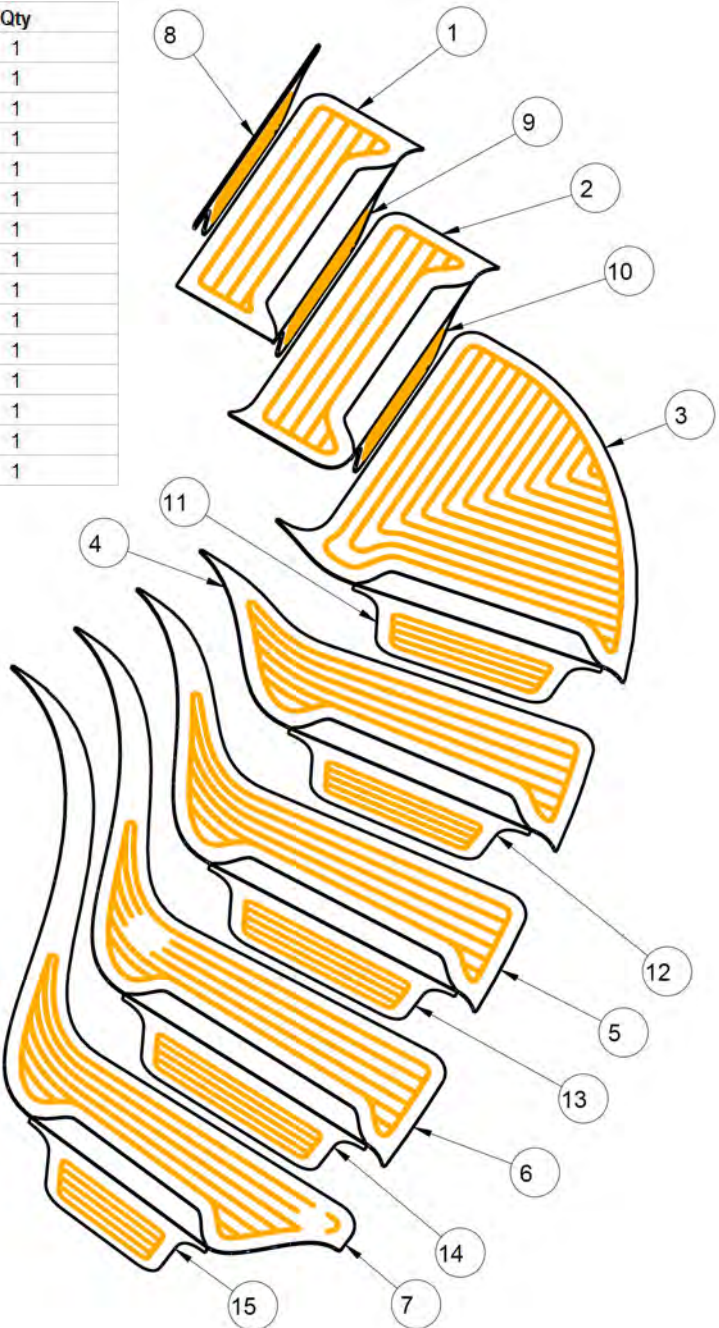
W14-04347 - FCK-00681
INTERIOR - FLOOR COVERING - FRONT STAIRS



Index	PSV Ref	Description	Qty
1	PSV/63/780	NBFL TREADMASTER FRONT STAIRCASE	1
2	PSV/63/781	NBFL TREADMASTER FRONT STAIRCASE	1
3	PSV/63/782	NBFL TREADMASTER FRONT STAIRCASE	1
4	PSV/63/783	NBFL TREADMASTER FRONT STAIRCASE	1
5	PSV/63/784	NBFL TREADMASTER FRONT STAIRCASE	1
6	PSV/63/785	NBFL TREADMASTER FRONT STAIRCASE	1
7	PSV/63/786	NBFL TREADMASTER FRONT STAIRCASE	1
8	PSV/63/787	NBFL TREADMASTER FRONT STAIRCASE	1
9	PSV/63/789	NBFL TREADMASTER FRONT STAIRCASE	1
10	PSV/63/790	NBFL TREADMASTER FRONT STAIRCASE	5
11	PSV/63/791	NBFL TREADMASTER FRONT STAIRCASE	1
12	PSV/63/792	NBFL TREADMASTER FRONT STAIRCASE	1

W14-04347 - FCK-00682
INTERIOR - FLOOR COVERING - REAR STAIRS

Index	PSV Ref	Description	Qty
1	PSV/63/794	NBFL TREADMASTER REAR STAIRCASE	1
2	PSV/63/795	NBFL TREADMASTER REAR STAIRCASE	1
3	PSV/63/796	NBFL TREADMASTER REAR STAIRCASE	1
4	PSV/63/799	NBFL TREADMASTER REAR STAIRCASE	1
5	PSV/63/800	NBFL TREADMASTER REAR STAIRCASE	1
6	PSV/63/801	NBFL TREADMASTER REAR STAIRCASE	1
7	PSV/63/802	NBFL TREADMASTER REAR STAIRCASE	1
8	PSV/63/804	NBFL TREADMASTER REAR STAIRCASE	1
9	PSV/63/805	NBFL TREADMASTER REAR STAIRCASE	1
10	PSV/63/806	NBFL TREADMASTER REAR STAIRCASE	1
11	PSV/63/807	NBFL TREADMASTER REAR STAIRCASE	1
12	PSV/63/808	NBFL TREADMASTER REAR STAIRCASE	1
13	PSV/63/809	NBFL TREADMASTER REAR STAIRCASE	1
14	PSV/63/810	NBFL TREADMASTER REAR STAIRCASE	1
15	PSV/63/811	NBFL TREADMASTER REAR STAIRCASE	1





W14-04354

NBFL INTERIOR SALOON FIBREGLASS



Stock Number	Description	Quantity
PSV/62/220	FRONT DESTINATION BOX FIXING ANGLE	2.00
PSV/62/304	ALUM ANGLE 32x25x3mm (5M)	0.03
PSV/62/369	NBFL REAR SLOPED CEILING	1.00
PSV/62/370	NBFL LD RE CENTRE CEILING	1.00
PSV/62/371	NBFL REAR PULPIT / SEATBOX	1.00
PSV/62/372	NBFL UD FRONT DESTINATION COVER	1.00
PSV/62/373	REAR DOOR HEAD - DOOR 1	1.00
PSV/62/374	NBFL REAR DOOR HEAD DOOR 2 (V2)	1.00
PSV/62/376	NBFL U/D REAR INNER TOP DOME	1.00
PSV/62/377	U/D REAR INNER CEILING PANEL	1.00
PSV/62/378	NBFL REAR DOME A/C ACCESS DOOR	1.00
PSV/62/379	NBFL REAR SEATBOX ELECTRICAL PANEL DOOR	1.00
PSV/62/380	NBFL U/D REAR DOME ACCESS CAPPING - CL2	1.00
PSV/62/381	NBFL U/D REAR PULPIT N/S WINDOW CAP -CL2	1.00
PSV/62/382	U/D FRONT DESTINATION COVER MAIN DOOR	1.00
PSV/38/190	U/D FRONT DESTINATION COVER SMALL DOOR	1.00
PSV/62/383	NBFL REAR DOME AC ACCESS DOOR	1.00
PSV/62/384	REAR SEATBOX HEATER ACCESS DOOR	1.00
PSV/62/385	NBFL U/D FRONT BULKHEAD	1.00
PSV/62/386	REAR I-BUS COVER PART 1	1.00
PSV/62/387	REAR I-BUS COVER PART 2	1.00
PSV/62/388	FRONT UPPER DECK I-BUS SURROUND	1.00
PSV/11/686	SEAT INFILL AT REAR AXLE	4.00
PSV/38/191	SEAT INFILL AT HIGH BACK SEAT NS	2.00
PSV/13/414	SEAT INFILL AT HIGH BACK SEAT OS	2.00
PSV/62/389	SIDEWALL INFILL STRIP OS	1.00
PSV/62/390	SIDEWALL INFILL STRIP NS	1.00
PSV/62/391	CONDUCTORS BUTTON RECESS	1.00
PSV/62/392	NBFL REAR DEST COVER DOOR	1.00
PSV/62/393	NBFL REAR DEST COVER FIXED PART	1.00
PSV/62/394	NBFL STRINGER MONITOR HOUSING	1.00
PSV/62/415	NBFL REAR DOOR HEAD V3	1.00
PSV/13/369	NYLON WASHER FOR CAPTIVE FASTENER	28.00
PSV/54/145	STAINLESS STEEL RECEPTABLE RIVET TYPE	28.00
PSV/43/352	M5x20 BUTTON SOCKET HD SCREW ZINC/CLEAR	4.00
PSV/63/030	M4x20 CSK.SKT.SCREW FULL THREAD	4.00
PSV/64/264	NBFL U/D REAR PULPIT / SEATBOX ANGLE	1.00
PSV/64/265	NBFL U/D REAR PULPIT / SEATBOX ANGLE	1.00
PSV/64/266	NBFL U/D REAR PULPIT / SEATBOX ANGLE	1.00
PSV/64/267	NBFL U/D REAR PULPIT / SEATBOX ANGLE	1.00
PSV/64/280	ACCESS DOOR KEEPER BRACKET	6.00
PSV/64/295	REAR DOOR HEAD GRP SUPPORT ANGLE	1.00
PSV/64/296	NBFL REAR INNER TOP DOME SUPPORT ANGLE	1.00
PSV/64/424	IBUS HOUSING SUPPORT BRACKET	4.00
PSV/64/443	NBFL REAR IBUS HOUSING STRIP ASSY	1.00
PSV/64/441	NBFL IBUS MONITOR HOUSING STRIP	1.00
PSV/64/442	NBFL IBUS MONITOR HOUSING STRIP	2.00
PSV/64/444	NBFL REAR IBUS HOUSING STRIP ASSY	1.00
PSV/63/047	M6 STEEL NUTSERT RANGE 3-5.5mm	4.00

W14-04354

NBFL INTERIOR SALOON FIBREGLASS



Stock Number	Description	Quantity
PSV/64/440	NBFL IBUS MONITOR HOUSING STRIP	1.00
PSV/64/442	NBFL IBUS MONITOR HOUSING STRIP	4.00
PSV/51/323	IBUS HOUSING SUPPORT BRACKET	2.00
PSV/64/531	UPPER DECK BULKHEAD FIXING ANGLE	1.00
PSV/64/532	REAR FRP UPPER DOME GRP FIXING PLATE	11.00
PSV/64/688	NBFL FRONT IBUS MONITOR PERSPEX	1.00



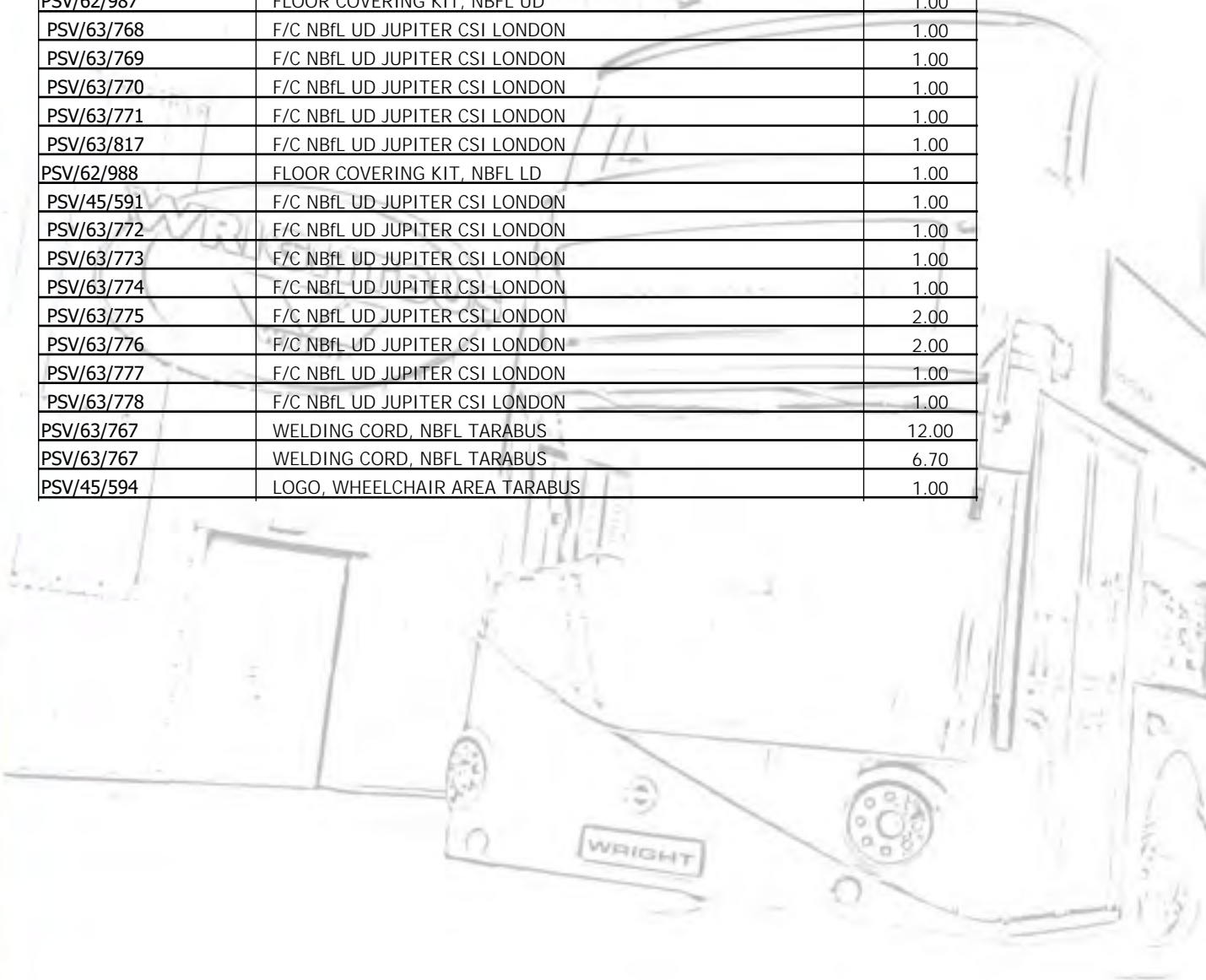


W14-04361

INTERIOR - FLOOR COVERING, NBFL



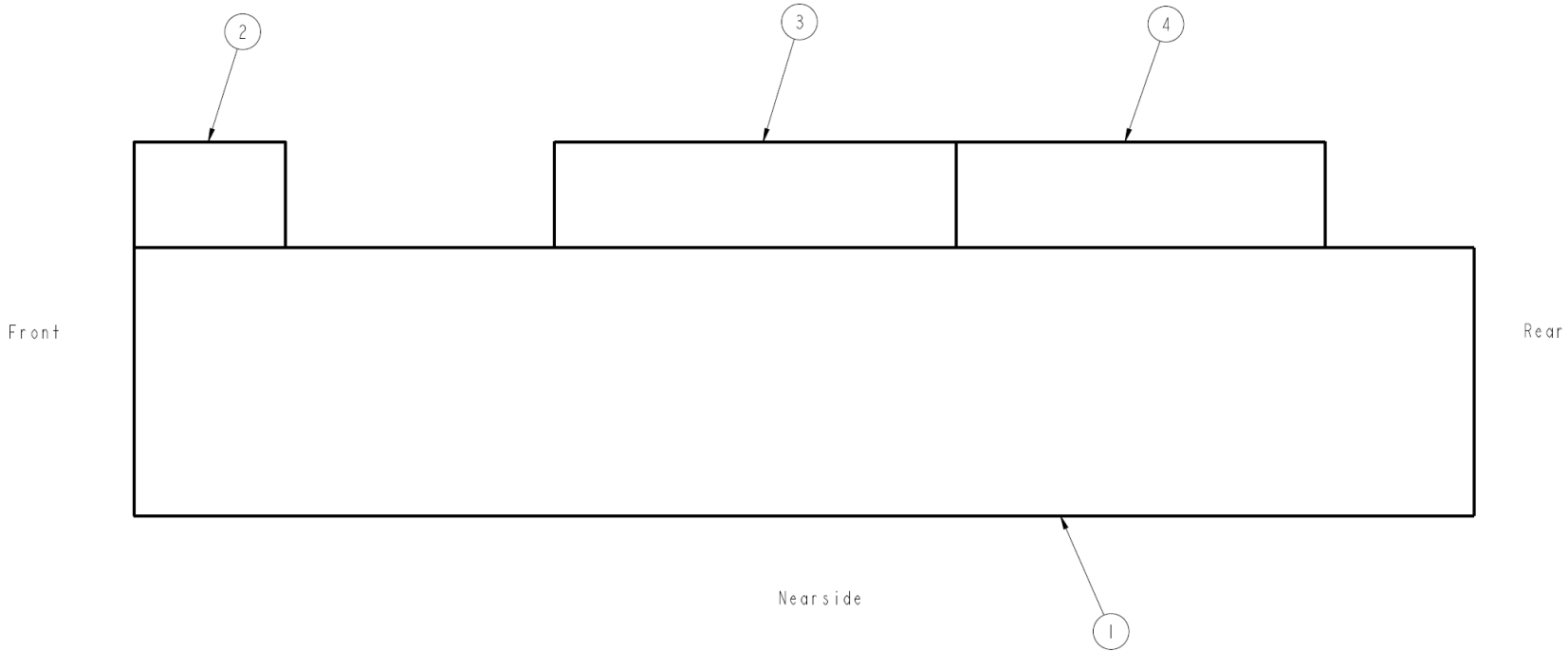
Stock Number	Description	Quantity
PSV/37/566	FLOOR ADHESIVE	11.00
PSV/37/566	FLOOR ADHESIVE	1.65
PSV/37/566	FLOOR ADHESIVE	8.00
PSV/62/282	SEALER SURFACE ACTIVATOR	0.20
PSV/62/282	SEALER SURFACE ACTIVATOR	0.03
PSV/62/288	FORMOA CRYSTAL CLEAR	0.25
PSV/62/291	SEALER TO SUIT RAL 8019	5.00
PSV/62/291	SEALER TO SUIT RAL 8019	2.00
PSV/62/291	SEALER TO SUIT RAL 8019	1.00
PSV/62/291	SEALER TO SUIT RAL 8019	2.00
PSV/62/292	SEALER TO SUIT RAL 8028	2.00
PSV/62/292	SEALER TO SUIT RAL 8028	2.00
PSV/62/987	FLOOR COVERING KIT, NBFL UD	1.00
PSV/63/768	F/C NBFL UD JUPITER CSI LONDON	1.00
PSV/63/769	F/C NBFL UD JUPITER CSI LONDON	1.00
PSV/63/770	F/C NBFL UD JUPITER CSI LONDON	1.00
PSV/63/771	F/C NBFL UD JUPITER CSI LONDON	1.00
PSV/63/817	F/C NBFL UD JUPITER CSI LONDON	1.00
PSV/62/988	FLOOR COVERING KIT, NBFL LD	1.00
PSV/45/591	F/C NBFL UD JUPITER CSI LONDON	1.00
PSV/63/772	F/C NBFL UD JUPITER CSI LONDON	1.00
PSV/63/773	F/C NBFL UD JUPITER CSI LONDON	1.00
PSV/63/774	F/C NBFL UD JUPITER CSI LONDON	1.00
PSV/63/775	F/C NBFL UD JUPITER CSI LONDON	2.00
PSV/63/776	F/C NBFL UD JUPITER CSI LONDON	2.00
PSV/63/777	F/C NBFL UD JUPITER CSI LONDON	1.00
PSV/63/778	F/C NBFL UD JUPITER CSI LONDON	1.00
PSV/63/767	WELDING CORD, NBFL TARABUS	12.00
PSV/63/767	WELDING CORD, NBFL TARABUS	6.70
PSV/45/594	LOGO, WHEELCHAIR AREA TARABUS	1.00





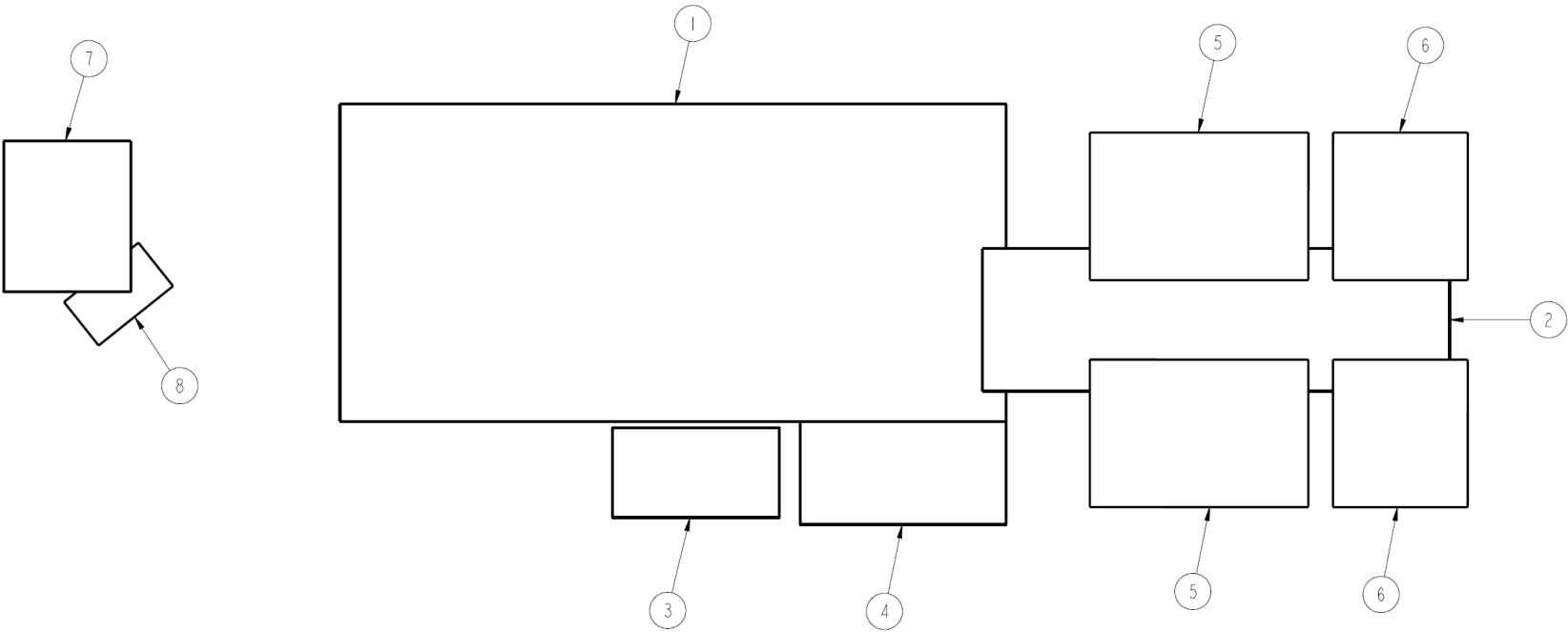
W14-04361 - FCK-00647
INTERIOR - FLOOR COVERING - UPPER DECK KIT

Index	PSV Ref	Description	Qty
1	PSV/63/768	FLOOR COVERING PART	1
2	PSV/63/769	FLOOR COVERING PART	1
3	PSV/63/770	FLOOR COVERING PART	1
4	PSV/63/771	FLOOR COVERING PART	1



W14-04361 - FCK-00648
 INTERIOR - FLOOR COVERING - LOWER DECK KIT

Index	PSV Ref	Description	Qty
1	PSV/45/591	FLOOR COVERING PART	1
2	PSV/63/772	FLOOR COVERING PART	1
3	PSV/63/773	FLOOR COVERING PART	1
4	PSV/63/774	FLOOR COVERING PART	1
5	PSV/63/775	FLOOR COVERING PART	2
6	PSV/63/776	FLOOR COVERING PART	2
7	PSV/63/777	FLOOR COVERING PART	1
8	PSV/63/778	FLOOR COVERING PART	1





W14-04363

INTERIOR - CAPPINGS NBFL



Stock Number	Description	Quantity
PSV/38/195	NBFL A PILLAR CAPPING U/DECK NEAR SIDE	1.00
PSV/38/196	NBFL A PILLAR CAPPING U/DECK OFF SIDE	1.00
PSV/38/197	QUARTERLIGHT CAPPING U/D NS	1.00
PSV/38/198	QUARTERLIGHT CAPPING U/D OS	1.00
PSV/62/403	REAR STAIRCASE WINDOW CAPPING 3	1.00
PSV/62/404	NBFL REAR WINDOW CAPPING 1	1.00
PSV/62/405	NBFL REAR WINDOW CAPPING 2	1.00
PSV/62/406	REAR OS WINDOW CAPPING	1.00
PSV/62/407	NBFL REAR WINDOW CAPPING 4	1.00
PSV/62/408	NBFL FRONT WINDOW CAPPING 1	1.00
PSV/62/409	NBFL FRONT WINDOW CAPPING 2	1.00
PSV/62/410	NBFL FRONT WINDOW CAPPING 3	1.00
PSV/51/538	NBFL WINDOW CAPPING AT VIDEO BOX	1.00
PSV/64/567	NBFL REAR WINDOW CAPPING PACKER	2.00
PSV/64/568	NBFL OS B PILLAR PILLAR PIPE GUIDE PLATE	1.00
PSV/64/641	NBFL UPPER FRONT BULKHEAD CAPPING	1.00
PSV/64/642	NBFL REAR O/S BULKHEAD CAPPING	1.00
PSV/64/6425	NBFL PLATFORM CEILING COVE CAPPING	1.00
PSV/64/646	NBFL REAR UPPER N/S COVE CAPPING	1.00
PSV/64/647	NBFL FRONT BULKHEAD COVE CAPPING	1.00
PSV/64/659	TOP HOR. CAPPING KIT, BASE NBFL	1.00
PSV/64/590	HORIZONTAL WINDOW CAPPING BASE	1.00
PSV/64/591	HORIZONTAL WINDOW CAPPING BASE	1.00
PSV/64/592	HORIZONTAL WINDOW CAPPING BASE	1.00
PSV/64/593	HORIZONTAL WINDOW CAPPING BASE	3.00
PSV/64/594	HORIZONTAL WINDOW CAPPING BASE	4.00
PSV/64/595	HORIZONTAL WINDOW CAPPING BASE	2.00
PSV/64/596	HORIZONTAL WINDOW CAPPING BASE	1.00
PSV/64/597	HORIZONTAL WINDOW CAPPING BASE	1.00
PSV/64/598	HORIZONTAL WINDOW CAPPING BASE	1.00
PSV/64/606	HORIZONTAL WINDOW CAPPING BASE	2.00
PSV/64/611	HORIZONTAL WINDOW CAPPING BASE	1.00
PSV/64/612	HORIZONTAL WINDOW CAPPING BASE	1.00
PSV/64/613	HORIZONTAL WINDOW CAPPING BASE	1.00
PSV/64/615	HORIZONTAL WINDOW CAPPING BASE	1.00
PSV/64/660	BOTTOM HOR. CAPPING KIT, BASE NBFL	1.00
PSV/64/599	HORIZONTAL WINDOW CAPPING BASE	2.00
PSV/64/600	HORIZONTAL WINDOW CAPPING BASE	4.00
PSV/64/601	HORIZONTAL WINDOW CAPPING BASE	3.00
PSV/64/602	HORIZONTAL WINDOW CAPPING BASE	1.00
PSV/64/603	HORIZONTAL WINDOW CAPPING BASE	1.00
PSV/64/604	HORIZONTAL WINDOW CAPPING BASE	1.00
PSV/64/605	HORIZONTAL WINDOW CAPPING BASE	1.00
PSV/64/607	HORIZONTAL WINDOW CAPPING BASE	2.00
PSV/64/614	HORIZONTAL WINDOW CAPPING BASE	1.00
PSV/64/620	HORIZONTAL WINDOW CAPPING BASE	1.00
PSV/64/621	HORIZONTAL WINDOW CAPPING BASE	1.00
PSV/64/622	HORIZONTAL WINDOW CAPPING BASE	1.00
PSV/64/637	HORIZONTAL WINDOW CAPPING BASE	1.00



W14-04363

INTERIOR - CAPPINGS NBFL



Stock Number	Description	Quantity
PSV/64/644	HORIZONTAL WINDOW CAPPING BASE	1.00
PSV/64/654	VERTICAL CAPPING BLACK PACKER	1.00
PSV/64/661	HOR. CAPPING KIT, FACE NBFL	1.00
PSV/64/588	HORIZONTAL CAPPING FACE	1.00
PSV/64/589	HORIZONTAL CAPPING FACE	1.00
PSV/64/608	HORIZONTAL CAPPING FACE	1.00
PSV/64/609	HORIZONTAL CAPPING FACE	3.00
PSV/64/610	HORIZONTAL CAPPING FACE	1.00
PSV/64/616	HORIZONTAL CAPPING FACE	1.00
PSV/64/617	HORIZONTAL CAPPING FACE	1.00
PSV/64/618	HORIZONTAL CAPPING FACE	1.00
PSV/64/619	HORIZONTAL CAPPING FACE	1.00
PSV/64/623	HORIZONTAL CAPPING FACE	1.00
PSV/64/624	HORIZONTAL CAPPING FACE	1.00
PSV/64/655	HORIZONTAL WINDOW CAPPING BASE	1.00
PSV/64/662	VERTICAL CAPPING KIT NBFL	1.00
PSV/64/625	VERTICAL CAPPING	8.00
PSV/64/626	VERTICAL CAPPING	2.00
PSV/64/627	VERTICAL CAPPING	1.00
PSV/64/628	VERTICAL CAPPING	1.00
PSV/64/629	VERTICAL CAPPING	2.00
PSV/64/630	VERTICAL CAPPING	1.00
PSV/64/631	VERTICAL CAPPING	4.00
PSV/64/632	VERTICAL CAPPING	3.00
PSV/64/636	VERTICAL CAPPING	1.00
PSV/64/638	VERTICAL CAPPING	1.00
PSV/64/639	VERTICAL CAPPING	1.00
PSV/64/643	VERTICAL CAPPING	2.00
PSV/64/648	NBFL OS U/D B-PIL CAPPING	1.00
PSV/64/649	NBFL REAR OS LD WINDOW CAPPING	1.00
PSV/64/656	VERTICAL CAPPING	1.00
PSV/64/663	VERTICAL CAPPING PACKER KIT NBFL	1.00
PSV/64/633	VERTICAL CAPPING BLACK PACKER	20.00
PSV/64/634	VERTICAL CAPPING BLACK PACKER	7.00
PSV/64/635	VERTICAL CAPPING BLACK PACKER	11.00
PSV/64/650	VERTICAL CAPPING BLACK PACKER	2.00
PSV/64/651	VERTICAL CAPPING BLACK PACKER	1.00
PSV/64/652	VERTICAL CAPPING BLACK PACKER	1.00
PSV/64/653	VERTICAL CAPPING BLACK PACKER	3.00
PSV/64/657	VERTICAL CAPPING BLACK PACKER	1.00



W14-04365

INTERIOR - HANDRAILS - NBFL



Stock Number	Description	Quantity
PSV/38/243	ALUM TOGGLE M8 CHAMFERED CORNERS	28.00
PSV/62/974	M10x22 CSK SET SCREW	9.00
PSV/62/975	M8x22 CSK SET SCREW	24.00
PSV/43/466	M4x10MM HEXALOBULAR SOCKET SCREW	48.00
PSV/43/472	M6x20mm CAP SCREW LOW SOCKET HEAD Z&C	34.00
PSV/63/109	REAR STAIRCASE GLASS PARTITION	1.00
PSV/63/110	CLEAR GLASS - MID DOOR PARTITION	2.00
PSV/63/111	FRONT STAIRCASE GLASS PARTITION	1.00
PSV/63/112	CLEAR GLASS, PARTITION - REAR	1.00
PSV/12/077	WIRELESS BELL PUSH	22.00
PSV/12/076	WIRELESS BELL PUSH W/CHAIR HORIZONTAL	1.00
PSV/63/127	WIRELESS BELL PUSH RECEIVER MODULE	1.00
PSV/63/128	UPPER DECK HANDPOLE KIT-NBFL	1.00
PSV/11/529	HANDPOLE ASSY - UPPER SEAT O/SIDE	5.00
PSV/63/148	HANDPOLE - UPPER SEAT O/SIDE	1.00
PSV/63/151	REINFORCING SLEEVE AT BELLPUSH	1.00
PSV/58/031	HANDPOLE ASSY - UPPER SEAT N/SIDE	5.00
PSV/63/152	HANDPOLE - UPPER SEAT N/SIDE	1.00
PSV/63/151	REINFORCING SLEEVE AT BELLPUSH	1.00
PSV/58/032	WINDSCREEN HANDRAIL CENTRE ASSY	1.00
PSV/63/149	SUPPORT LEG - WINDSCREEN HANDRAIL	2.00
PSV/63/152	WINDSCREEN HANDRAIL CENTRE PART	1.00
PSV/63/168	CONNECTION SLEEVE	2.00
PSV/63/169	HANDPOLE FOOT PLATE	2.00
PSV/58/033	WINDSCREEN HANDRAIL-NEAR SIDE ASSY	1.00
PSV/63/153	WINDSCREEN HANDRAIL-NEAR SIDE PART	1.00
PSV/63/169	HANDPOLE FOOT PLATE	1.00
PSV/58/034	WINDSCREEN HANDRAIL-OFF SIDE ASSY	1.00
PSV/63/154	WINDSCREEN HANDRAIL-OFF SIDE PART	1.00
PSV/63/169	HANDPOLE FOOT PLATE	1.00
PSV/58/035	FLOATING TOP SOCKET - SQUASHED POLE	10.00
PSV/63/129	LOWER DECK HANDPOLE KIT-NBFL	1.00
PSV/58/036	HANDPOLE ASSY. AT REAR PLATFORM	1.00
PSV/58/036	REAR STAIRCASE TO ROOF HANDPOLE	1.00
PSV/63/136	HANDPOLE FIXING BOSS	1.00
PSV/63/137	HANDPOLE LOCK DOWEL	1.00
PSV/63/138	INNER HANDPOLE STIFFENER	1.00
PSV/58/037	HANDPOLE AT WHEEL CHAIR BAY	1.00
PSV/63/139	INNER POLE SLEEVE	1.00
PSV/63/140	HANDPOLE AT WHEEL CHAIR BAY	1.00
PSV/63/141	FIXING - AT TRACK - UPPER DECK	1.00
PSV/63/144	REINFORCING SLEEVE - TOP	1.00
PSV/58/038	HANDPOLE AT WHEELCHAIR BAY	1.00
PSV/63/135	MID DOOR PARTITION VERT. POLE	1.00
PSV/63/141	FIXING - AT TRACK - UPPER DECK	1.00
PSV/63/144	REINFORCING SLEEVE - TOP	1.00
PSV/58/039	HORIZONTAL HANDRAIL ASSY - W/CHAIR BAY	1.00
PSV/63/139	INNER POLE SLEEVE	1.00
PSV/63/142	HORIZONTAL HANDRAIL - W/CHAIR BAY - BELL	1.00



W14-04365

INTERIOR - HANDRAILS - NBFL



Stock Number	Description	Quantity
PSV/58/040	HANDRAIL STRINGER - FRONT STAIRCASE	1.00
PSV/58/041	HANDPOLE - REAR FOOTWELL O/SIDE	1.00
PSV/58/042	HANDPOLE ASSY - LOWER FRONT SEAT N/SIDE	1.00
PSV/63/151	REINFORCING SLEEVE AT BELLPUSH	1.00
PSV/63/155	FIXED TOP SOCKET - LOWER DECK	1.00
PSV/63/156	HANDPOLE - LOWER FRONT SEAT N/SIDE	1.00
PSV/63/168	CONNECTION SLEEVE	1.00
PSV/58/043	HANDPOLE ASSY - PRIORITY SEAT N/SIDE	1.00
PSV/63/151	REINFORCING SLEEVE AT BELLPUSH	1.00
PSV/63/155	FIXED TOP SOCKET - LOWER DECK	1.00
PSV/63/157	HANDPOLE - PRIORITY SEAT N/SIDE	1.00
PSV/63/168	CONNECTION SLEEVE	1.00
PSV/58/044	HANDPOLE ASSY - PRIORITY SEAT O/SIDE	1.00
PSV/63/151	REINFORCING SLEEVE AT BELLPUSH	1.00
PSV/63/155	FIXED TOP SOCKET - LOWER DECK	1.00
PSV/63/158	HANDPOLE - PRIORITY SEAT O/SIDE	1.00
PSV/63/168	CONNECTION SLEEVE	1.00
PSV/58/045	HANDPOLE ASSY - LOWER MID SEAT N/SIDE	1.00
PSV/63/151	REINFORCING SLEEVE AT BELLPUSH	1.00
PSV/63/155	FIXED TOP SOCKET - LOWER DECK	1.00
PSV/63/159	HANDPOLE - LOWER MID SEAT N/SIDE	1.00
PSV/63/168	CONNECTION SLEEVE	1.00
PSV/58/046	HANDPOLE ASSY - LOWER MID SEAT O/SIDE	1.00
PSV/63/151	REINFORCING SLEEVE AT BELLPUSH	1.00
PSV/63/155	FIXED TOP SOCKET - LOWER DECK	1.00
PSV/63/160	HANDPOLE - LOWER MID SEAT O/SIDE	1.00
PSV/63/168	CONNECTION SLEEVE	1.00
PSV/58/047	HANDPOLE ASSY - LOWER REAR SEAT N/SIDE	1.00
PSV/63/151	REINFORCING SLEEVE AT BELLPUSH	1.00
PSV/63/155	FIXED TOP SOCKET - LOWER DECK	1.00
PSV/63/161	HANDPOLE - LOWER REAR SEAT N/SIDE	1.00
PSV/63/168	CONNECTION SLEEVE	1.00
PSV/58/048	HANDPOLE ASSY - LOWER REAR SEAT O/SIDE	1.00
PSV/63/162	HANDPOLE - LOWER REAR SEAT O/SIDE	1.00
PSV/63/151	REINFORCING SLEEVE AT BELLPUSH	1.00
PSV/63/155	FIXED TOP SOCKET - LOWER DECK	1.00
PSV/63/168	CONNECTION SLEEVE	1.00
PSV/58/049	HANDPOLE - FRONT STAIR PARTITION - SHORT	1.00
PSV/58/050	HANDPOLE - FRONT STAIR PARTITION - LONG	1.00
PSV/58/051	HANDRAIL ASSY - W/CHAIR BAY UPPER	1.00
PSV/63/145	HANDRAIL FIXING BKT - UPPER W/CHAIR BAY	1.00
PSV/63/163	HANDRAIL - W/CHAIR BAY UPPER	1.00
PSV/58/052	LUGGAGE RACK ASSY	1.00
PSV/63/147	HANDRAIL SUPPORT LEG	1.00
PSV/63/164	LUGGAGE RACK REAR HOOP	1.00
PSV/63/165	LUGGAGE RACK CROSSBAR	1.00
PSV/63/166	LUGGAGE RACK HANDRAIL	1.00
PSV/63/167	400mm GRAB RAIL AT WINDOW	3.00
PSV/63/130	STAIRCASE HANDPOLE KIT-NBFL	1.00



W14-04365

INTERIOR - HANDRAILS - NBFL



Stock Number	Description	Quantity
PSV/58/054	HANDRAIL ASSY - STAIRCASE FRONT OUTER	1.00
PSV/63/169	HANDPOLE FOOT PLATE	2.00
PSV/63/170	HANDRAIL - STAIRCASE FRONT OUTER	1.00
PSV/63/177	SUPPORT LEG - STAIRCASE HANDRAIL	2.00
PSV/63/180	SUPPORT ELBOW - STAIRCASE FRONT OUTER	1.00
PSV/58/055	HANDRAIL ASSY - STAIRCASE FRONT INNER	1.00
PSV/63/171	HANDRAIL - STAIRCASE FRONT INNER	1.00
PSV/63/177	SUPPORT LEG - STAIRCASE HANDRAIL	3.00
PSV/63/181	SUPPORT ELBOW - STAIRCASE FRONT INNER	1.00
PSV/58/056	HANDRAIL ASSY - STAIRCASE REAR OUTER	1.00
PSV/63/168	CONNECTION SLEEVE	2.00
PSV/63/169	HANDPOLE FOOT PLATE	2.00
PSV/63/172	HANDRAIL - STAIRCASE REAR OUTER	1.00
PSV/63/177	SUPPORT LEG - STAIRCASE HANDRAIL	1.00
PSV/63/178	SUPPORT LEG - STAIRCASE HANDRAIL	1.00
PSV/63/179	SUPPORT LEG - STAIRCASE HANDRAIL	1.00
PSV/58/057	HANDRAIL ASSY - STAIRCASE REAR INNER	1.00
PSV/63/169	HANDPOLE FOOT PLATE	3.00
PSV/63/173	HANDRAIL - STAIRCASE REAR INNER	1.00
PSV/63/176	SUPPORT LEG - STAIRCASE HANDRAIL	1.00
PSV/63/177	SUPPORT LEG - STAIRCASE HANDRAIL	1.00
PSV/62/049	VERT HANDPOLE ASSY-STAIRCASE REAR OUTER	1.00
PSV/63/151	REINFORCING SLEEVE AT BELLPUSH	1.00
PSV/63/168	CONNECTION SLEEVE	1.00
PSV/63/174	VERT HANDPOLE-STAIRCASE REAR OUTER	1.00
PSV/63/178	SUPPORT LEG - STAIRCASE HANDRAIL	1.00
PSV/58/059	VERT HANDPOLE ASSY-STAIRCASE REAR INNER	1.00
PSV/63/168	CONNECTION SLEEVE	1.00
PSV/63/175	VERT HANDPOLE - STAIRCASE REAR INNER	1.00
PSV/63/178	SUPPORT LEG - STAIRCASE HANDRAIL	1.00
PSV/58/060	SUPPORT ELBOW - STAIRCASE REAR OUTER	2.00
PSV/63/131	PARTITIONS HANDPOLE KIT-NBFL	1.00
PSV/58/061	PARTITION ASSY - MID DOOR - REARMOST	1.00
PSV/63/183	PARTITION - MID DOOR - HORIZONTAL	2.00
PSV/63/184	D-HANDLE AT MID DOOR PARTITION	1.00
PSV/63/190	HANDPOLE ASSY - MID DOOR - REARMOST	1.00
PSV/63/151	REINFORCING SLEEVE AT BELLPUSH	1.00
PSV/63/189	HANDPOLE - MID DOOR - REARMOST	1.00
PSV/58/062	PARTITION ASSY - MID DOOR - FOREMOST	1.00
PSV/63/183	PARTITION - MID DOOR - HORIZONTAL	2.00
PSV/63/184	D-HANDLE AT MID DOOR PARTITION	1.00
PSV/63/187	HANDPOLE ASSY - MID DOOR - FOREMOST	1.00
PSV/63/151	REINFORCING SLEEVE AT BELLPUSH	1.00
PSV/63/182	HANDPOLE - MID DOOR PARTITION - FOREMOST	1.00
PSV/58/063	PARTITION ASSY - REAR DOOR	1.00
PSV/63/185	PARTITION - REAR DOOR - HORIZONTAL	2.00
PSV/63/188	HANDPOLE ASSY - REAR DOOR	1.00
PSV/63/151	REINFORCING SLEEVE AT BELLPUSH	1.00
PSV/63/186	HANDPOLE - REAR DOOR PARTITION	1.00



W14-04365

INTERIOR - HANDRAILS - NBFL



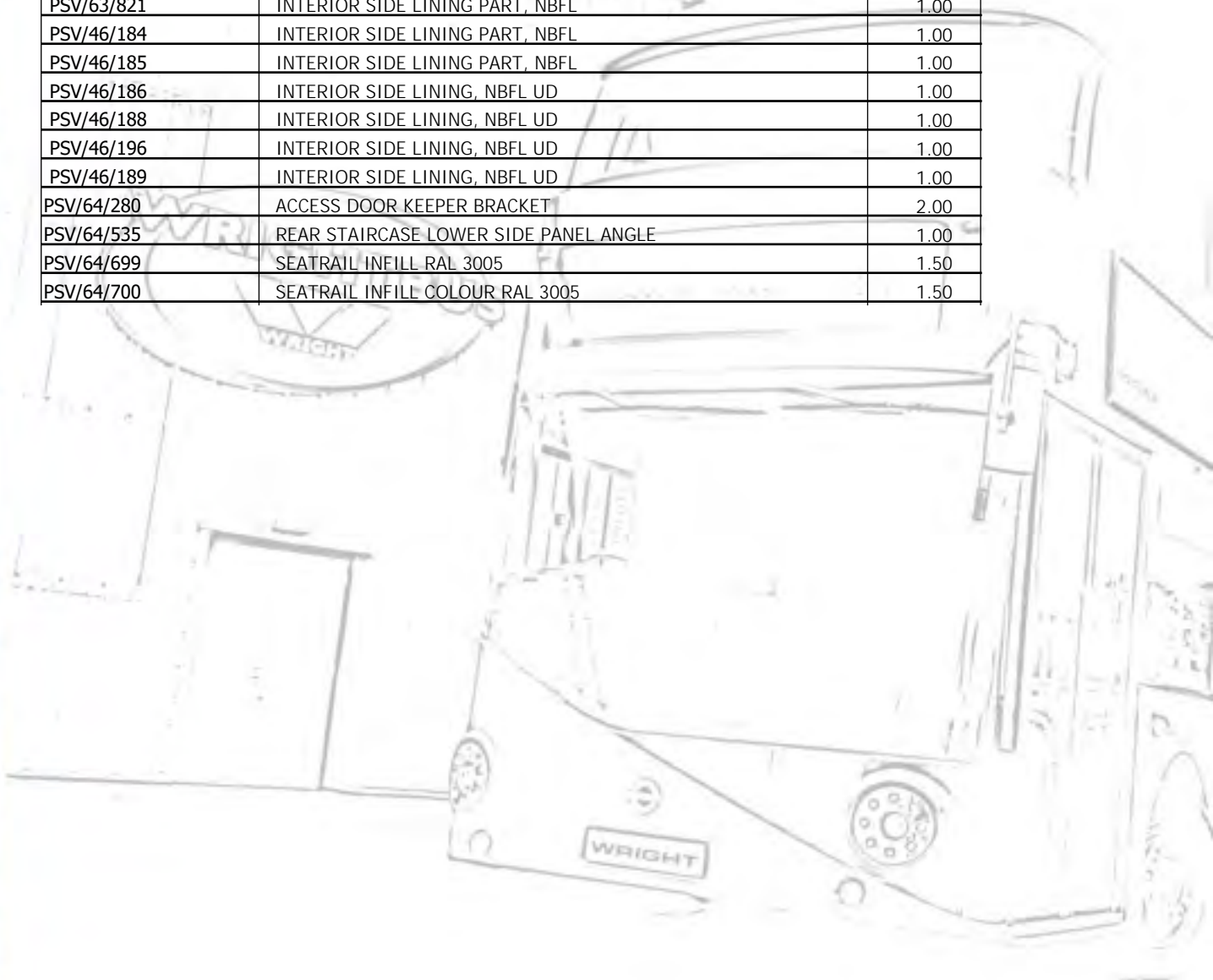
Stock Number	Description	Quantity
PSV/13/404	FLOATING TOP SOCKET - LOWER DECK	2.00
PSV/63/132	ADDITIONAL HANDPOLE KIT-NBFL	1.00
PSV/11/144	STANCHION CUPS MEDIUM: LARGE DIA	2.00
PSV/44/784	HANDPOLE FIXING CUP ASSY	2.00
PSV/62/971	M8X30MM TORX CAP ZINC & CLEAR	1.00
PSV/63/146	HANDPOLE FIXING CUP	1.00
PSV/44/785	NYLON INSERT C/W 'O' RING	3.00
PSV/44/786	STAIRCASE GLASS CLAMP	5.00
PSV/11/527	PARTITION GLASS CLAMP	14.00
PSV/44/787	STANCHION CUP SHORT - LARGE DIAMETER	5.00
PSV/11/144	STANCHION CUP MEDIUM - LARGE DIAMETER	10.00
PSV/11/144	STANCHION CUP LONG - LARGE DIAMETER	15.00
PSV/11/528	HANDPOLE SOCKET SHIM	12.00
PSV/44/790	HANDPOLE FIXING ASSY	2.00
PSV/63/143	HANDPOLE FIXING PLATE	1.00
PSV/63/191	HANDPOLE FIXING SLEEVE	1.00
PSV/44/791	HANDPOLE FIXING CUP ASSY (with shoulder)	2.00
PSV/60/829	M8 x 40 CAD.ENG.BOLT	1.00
PSV/63/192	HANDPOLE FIXING CUP (with shoulder)	1.00
PSV/63/195	PARTITION ATTACHMENT BRACKET ASSY	2.00
PSV/63/191	HANDPOLE FIXING SLEEVE	1.00
PSV/63/193	PARTITION FIXING BRACKET	1.00
PSV/63/196	PARTITION ATTACHMENT BRACKET ASSY	2.00
PSV/63/191	HANDPOLE FIXING SLEEVE	1.00
PSV/63/194	PARTITION FIXING BRACKET	1.00
PSV/44/793	DEEP STAIRCASE GLASS CLAMP-ASSY	4.00
PSV/63/197	DEEP STAIRCASE GLASS CLAMP-C/SUNK PART	1.00
PSV/63/198	DEEP STAIRCASE GLASS CLAMP-TAPPED PART	1.00
PSV/11/186	NYLON BALL SLIDER - 31.4 I/D 35 O/D TUBE	12.00
PSV/64/282	SPREADER WASHER	1.00
PSV/56/590	HANDPOLE GROMMET GREY RUBBER 35MM ID	6.00
PSV/56/591	30X10X3MM RUBBER FLOOR SPACER	11.00
PSV/17/487	NBFL SEAT TO HANDPOLE CONNECTOR	17.00
PSV/44/787	STANCHION CUP SHORT - LARGE DIAMETER	2.00
PSV/44/792	DRIVERS LOCKER BOX HANDRAIL	1.00
PSV/63/199	STABILISER - FRONT STAIR RAIL	1.00
PSV/63/202	BUMP PAD SLEEVE - FRONT BULKHEAD	2.00
PSV/49/954	PILLAR PACKER TOGGLE - M10	9.00
PSV/64/275	BRACKET FOR HANDPOLE AT REAR PLATFORM	1.00
PSV/64/521	INTERIOR MIRROR BRACKET O/S	1.00
PSV/64/522	INTERIOR MIRROR BRACKET N/S	1.00
PSV/52/285	MIRROR - CONVEX 10 INCH DIAMETER	2.00
PSV/64/690	PACKER FOR REAR HANDPOLE BKT	1.00
PSV/64/692	SAFETY PACKER - MID DOORS	4.00
PSV/64/693	SAFETY PACKER - MID DOORS	4.00
PSV/64/701	PLASTIC BUNG (MOSS 12850)	22.00

W14-04367

INTERIOR - SIDE LININGS, NBFL



Stock Number	Description	Quantity
PSV/62/289	FORMOA SEALER RAL 3005	0.50
PSV/62/418	NBFL L/D SIDEWALL LINING N/S	1.00
PSV/38/200	NBFL L/D SIDEWALL LINING O/S	1.00
PSV/62/419	NBFL FRONT STAIRCASE SLOPED PANEL	1.00
PSV/62/420	NBFL REAR STAIRCASE LOWER SIDE PANEL	1.00
PSV/62/421	NBFL REAR STAIRCASE LOWER SIDE PANEL DOR	1.00
PSV/13/369	NYLON WASHER FOR CAPTIVE FASTENER	2.00
PSV/54/145	STAINLESS STEEL RECEPTABLE RIVET TYPE	2.00
PSV/63/764	DOUBLE EDGE BEADING - RAL 3005	2.50
PSV/63/765	GRP TO LINING INFILL BASE - RAL 3005	1.50
PSV/63/766	GRP TO LINING INFILL FACE - RAL 3005	1.50
PSV/46/148	INTERIOR SIDE LINING KIT, NBFL UD	1.00
PSV/63/821	INTERIOR SIDE LINING PART, NBFL	1.00
PSV/46/184	INTERIOR SIDE LINING PART, NBFL	1.00
PSV/46/185	INTERIOR SIDE LINING PART, NBFL	1.00
PSV/46/186	INTERIOR SIDE LINING, NBFL UD	1.00
PSV/46/188	INTERIOR SIDE LINING, NBFL UD	1.00
PSV/46/196	INTERIOR SIDE LINING, NBFL UD	1.00
PSV/46/189	INTERIOR SIDE LINING, NBFL UD	1.00
PSV/64/280	ACCESS DOOR KEEPER BRACKET	2.00
PSV/64/535	REAR STAIRCASE LOWER SIDE PANEL ANGLE	1.00
PSV/64/699	SEATRAIL INFILL RAL 3005	1.50
PSV/64/700	SEATRAIL INFILL COLOUR RAL 3005	1.50





W14-04370

INTERIOR - UPPER DECK SIDE COVE



Stock Number	Description	Quantity
PSV/63/100	CABLE TIE MOUNTING BASE	100.00
PSV/63/290	15.2^LG NY TIES CT4062B	100.00
PSV/62/294	TAPE 3M 4655F 1.5MMx19MMx33M GREY	0.50
PSV/62/295	TAPE INSEAL 3X19MMX25M	16.00
PSV/62/423	NBFL UPPER DECK COVE	1.00
PSV/62/424	NBFL UPPER DECK COVE	1.00
PSV/62/425	NBFL UPPER DECK COVE	1.00
PSV/62/426	NBFL UPPER DECK COVE	1.00
PSV/62/427	NBFL UPPER DECK COVE	1.00
PSV/62/428	NBFL UPPER DECK COVE	1.00
PSV/62/429	NBFL UPPER DECK COVE	1.00
PSV/62/430	NBFL UPPER DECK COVE	1.00
PSV/62/431	COVE STIFFENER UD NBFL	5.00
PSV/62/432	COVE STIFFENER UD NBFL	5.00
PSV/41/321	6MM QUARTER TURN RIVET RECEPTACLE	32.00
PSV/11/111	SOUTHCO PANEX 1/4 TURN FASTENER	32.00
PSV/07/933	TEKNOWARE LED SPOT 12x0.5W WARM WHITE	31.00
PSV/62/944	NBfL O/S U/D COVE 4 LIGHTS LOOM	1.00
PSV/62/945	NBfL O/S U/D COVE 3 LIGHTS LOOM	1.00
PSV/62/946	NBfL O/S U/D COVE 2 LIGHTS LOOM	1.00
PSV/62/947	NBfL O/S U/D COVE 1 LIGHTS LOOM	1.00
PSV/62/948	NBfL N/S U/D COVE 4 LIGHTS LOOM	1.00
PSV/62/949	NBfL N/S U/D COVE 3 LIGHTS LOOM	1.00
PSV/62/950	NBfL N/S U/D COVE 2 LIGHTS LOOM	1.00
PSV/62/951	NBfL N/S U/D COVE 1 LIGHTS LOOM	1.00
PSV/43/741	SOUTHCO PANEX 1/4 TURN CAPTIVE WASHER	32.00
PSV/63/212	NBFL EVAPORATOR GRILL	2.00
PSV/51/472	ACCESS COVE HINGING EXTRUSION	4.00
PSV/51/473	ACCESS COVE HINGING EXTRUSION	2.00
PSV/51/489	ACCESS COVE HINGING EXTRUSION	2.00
PSV/51/509	SMOKE DETECTOR ATTACHMENT BRACKET ASM	1.00
PSV/43/352	M5x20 BUTTON SOCKET HD SCREW ZINC/CLEAR	4.00
PSV/63/042	CSK NUTSERT M5	4.00
PSV/64/533	SMOKE DETECTOR ATTACHMENT BRACKET	1.00
PSV/64/534	SMOKE DETECTOR ACCESS PLATE	1.00
PSV/51/514	COVE ATTACHMENT PACKER	2.00
PSV/51/516	COVE ATTACHMENT PACKER	4.00
PSV/51/517	COVE ATTACHMENT PACKER	2.00
PSV/64/584	NBFL UPPER DECK COVE CAPPING	8.00
PSV/64/721	FOAM SEALING STRIP	6.00
PSV/64/725	RUBBER SPACER 2x10x10mm SELF ADHESIVE	80.00

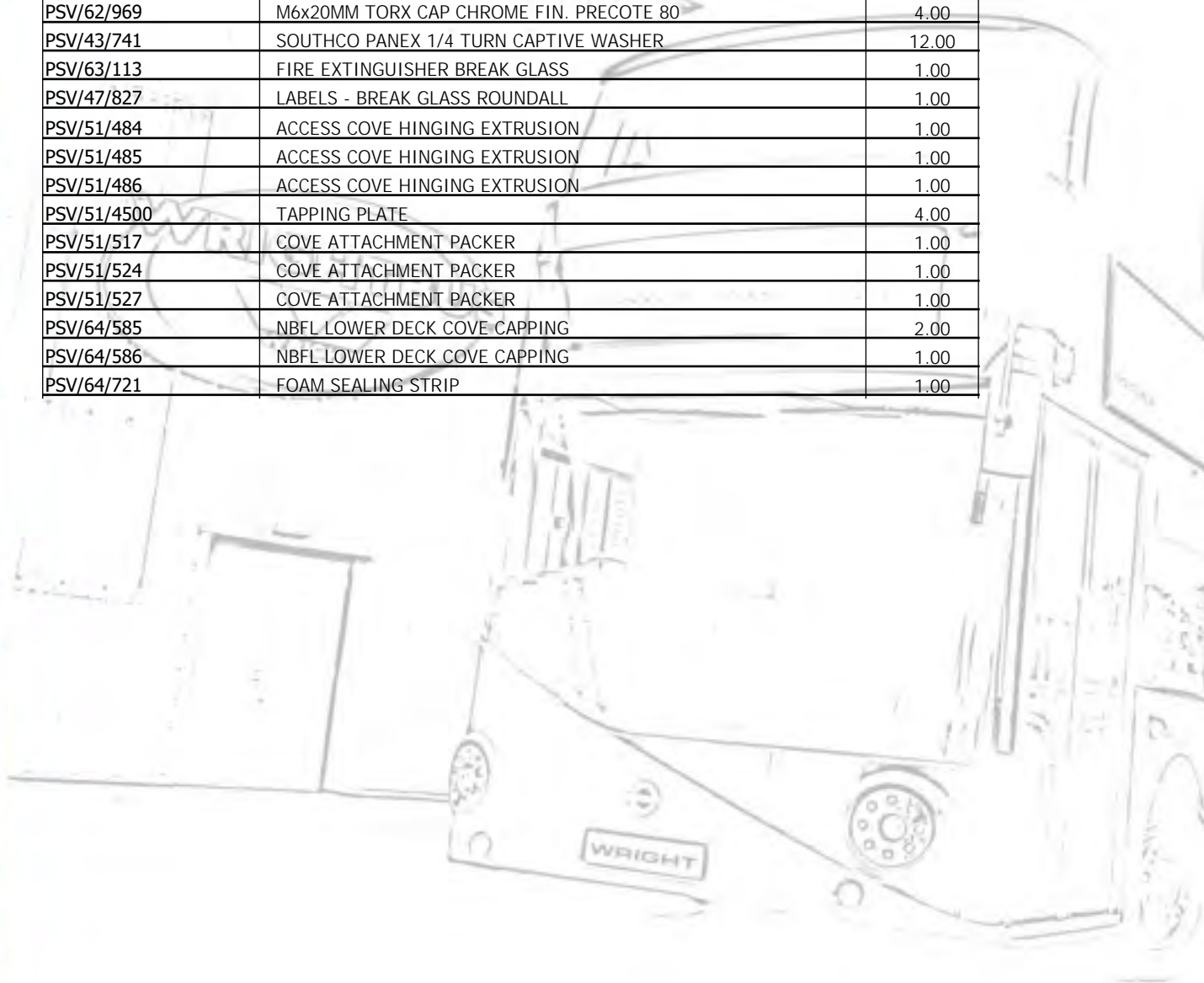


W14-04371

INTERIOR - LOWER DECK N/S SIDE COVE



Stock Number	Description	Quantity
PSV/62/294	TAPE 3M 4655F 1.5MMx19MMx33M GREY	0.30
PSV/62/295	TAPE INSEAL 3X19MMX25M	6.00
PSV/62/298	TAPE INSEAL 2x25MMx25M ALFAS SEAL PE	1.00
PSV/62/422	NBFL LOWER DECK N/S COVE	1.00
PSV/62/433	NBFL LOWER DECK N/S COVE	1.00
PSV/62/434	NBFL LOWER DECK N/S COVE	1.00
PSV/62/435	COVE STIFFENER LD N/S NBFL	2.00
PSV/62/436	COVE STIFFENER LD N/S NBFL	1.00
PSV/41/321	6MM QUARTER TURN RIVET RECEPTACLE	12.00
PSV/11/111	SOUTHCO PANEX 1/4 TURN FASTENER	12.00
PSV/07/933	TEKNOWARE LED SPOT 12x0.5W WARM WHITE	5.00
PSV/62/071	TEKNOWARE LED SPOT 12x0.5W WARM WHITE	6.00
PSV/62/969	M6x20MM TORX CAP CHROME FIN. PRECOTE 80	4.00
PSV/43/741	SOUTHCO PANEX 1/4 TURN CAPTIVE WASHER	12.00
PSV/63/113	FIRE EXTINGUISHER BREAK GLASS	1.00
PSV/47/827	LABELS - BREAK GLASS ROUNDALL	1.00
PSV/51/484	ACCESS COVE HINGING EXTRUSION	1.00
PSV/51/485	ACCESS COVE HINGING EXTRUSION	1.00
PSV/51/486	ACCESS COVE HINGING EXTRUSION	1.00
PSV/51/4500	TAPPING PLATE	4.00
PSV/51/517	COVE ATTACHMENT PACKER	1.00
PSV/51/524	COVE ATTACHMENT PACKER	1.00
PSV/51/527	COVE ATTACHMENT PACKER	1.00
PSV/64/585	NBFL LOWER DECK COVE CAPPING	2.00
PSV/64/586	NBFL LOWER DECK COVE CAPPING	1.00
PSV/64/721	FOAM SEALING STRIP	1.00

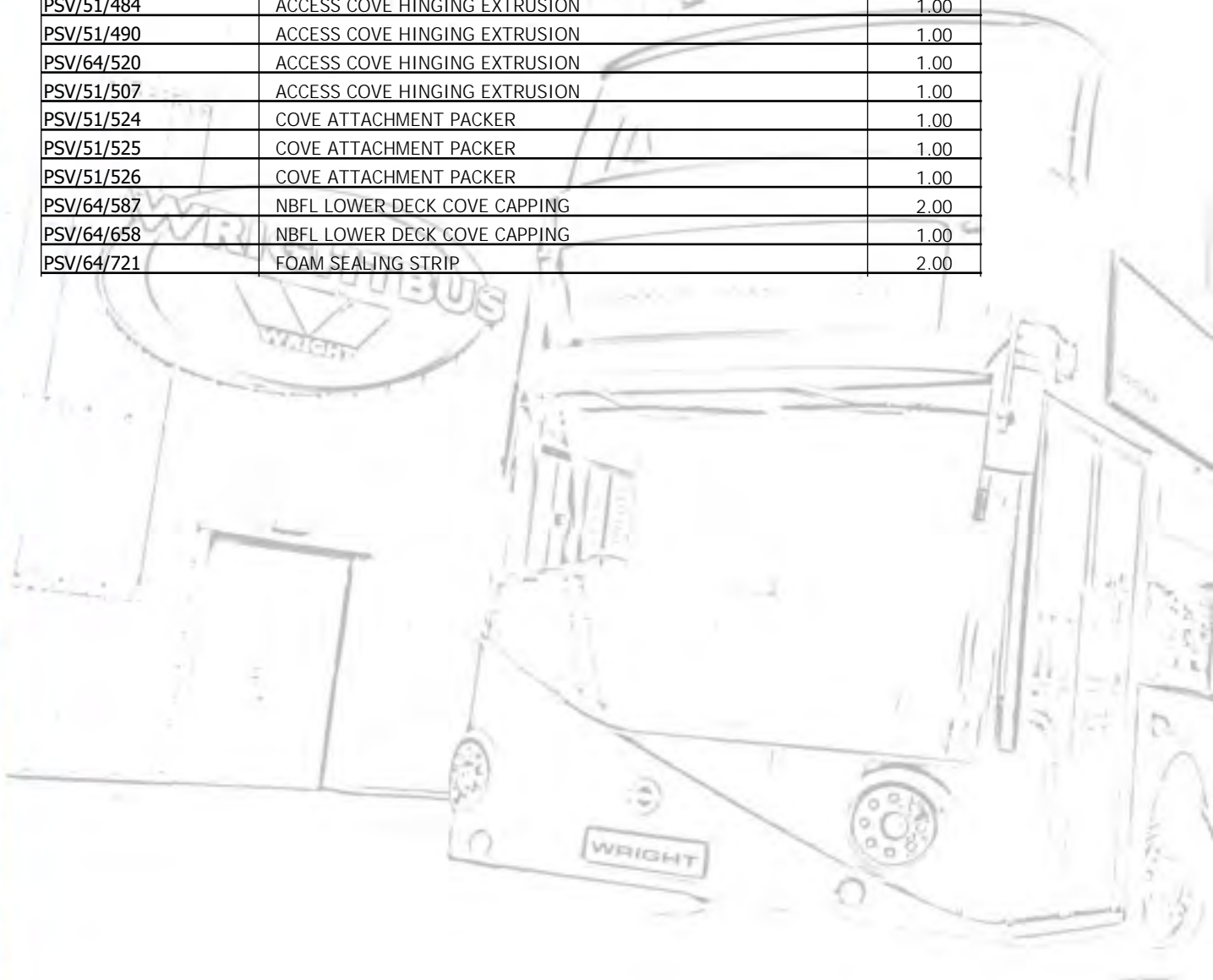


W14-04372

INTERIOR - LOWER DECK O/S COVE



Stock Number	Description	Quantity
PSV/62/294	TAPE 3M 4655F 1.5MMx19MMx33M GREY	0.30
PSV/62/295	TAPE INSEAL 3X19MMX25M	6.00
PSV/62/437	NBFL LOWER DECK O/S COVE	1.00
PSV/62/438	NBFL LOWER DECK O/S COVE	1.00
PSV/62/439	NBFL LOWER DECK O/S COVE	1.00
PSV/62/440	COVE STIFFENER LD O/S NBFL	2.00
PSV/62/441	COVE STIFFENER LD O/S NBFL	2.00
PSV/62/442	NBFL LOWER DECK O/S FRONT COVE	1.00
PSV/41/321	6MM QUARTER TURN RIVET RECEPTACLE	11.00
PSV/11/111	SOUTHCO PANEX 1/4 TURN FASTENER	11.00
PSV/07/933	TEKNOWARE LED SPOT 12x0.5W WARM WHITE	10.00
PSV/43/741	SOUTHCO PANEX 1/4 TURN CAPTIVE WASHER	11.00
PSV/51/484	ACCESS COVE HINGING EXTRUSION	1.00
PSV/51/490	ACCESS COVE HINGING EXTRUSION	1.00
PSV/64/520	ACCESS COVE HINGING EXTRUSION	1.00
PSV/51/507	ACCESS COVE HINGING EXTRUSION	1.00
PSV/51/524	COVE ATTACHMENT PACKER	1.00
PSV/51/525	COVE ATTACHMENT PACKER	1.00
PSV/51/526	COVE ATTACHMENT PACKER	1.00
PSV/64/587	NBFL LOWER DECK COVE CAPPING	2.00
PSV/64/658	NBFL LOWER DECK COVE CAPPING	1.00
PSV/64/721	FOAM SEALING STRIP	2.00





W14-04559

INT - DRIVERS SEAT - CHAPMAN BLK LEATHER



Stock Number	Description	Quantity
PSV/33/658	DRIVERS SEAT - CHAPMAN NOVA URBAN	1.00





W14-04706

INTERIOR - STEP EDGING ASSEMBLY - NBFL



Stock Number	Description	Quantity
PSV/29/842	FRONT ENTRANCE DOOR STEP EDGING	1.00
PSV/62/448	ALLOY STEP EDGING 5.5M LENGTH	0.24
PSV/62/215	ENTRANCE DOOR STEP EDGE	3.00
PSV/37/865	ALUM 19x19x1.5mm	0.20
PSV/62/216	INTERIOR WHEELARCH MID STEP EDGING	2.00
PSV/62/448	ALLOY STEP EDGING 5.5M LENGTH	0.08
PSV/62/217	INTERIOR WHEELARCH REAR STEP EDGING	1.00
PSV/62/448	ALLOY STEP EDGING 5.5M LENGTH	0.24
PSV/62/218	INTERIOR WHEELARCH REAR STEP EDGING	1.00
PSV/62/448	ALLOY STEP EDGING 5.5M LENGTH	0.08
PSV/62/219	INTERIOR DRIVERS CAB STEP EDGING	1.00
PSV/62/448	ALLOY STEP EDGING 5.5M LENGTH	0.05
PSV/43/482	NBFL FRONT STAIRCASE STEP EDGING KIT	1.00
PSV/11/281	STAIRCASE STEP EDGING ASM	5.00
PSV/64/482	STAIRCASE STEP EDGING PART	1.00
PSV/64/483	STAIRCASE STEP EDGING PART	2.00
PSV/51/475	STAIRCASE STEP EDGING ASM	1.00
PSV/64/483	STAIRCASE STEP EDGING PART	2.00
PSV/64/484	STAIRCASE STEP EDGING PART	1.00
PSV/51/476	STAIRCASE STEP EDGING ASM	1.00
PSV/64/483	STAIRCASE STEP EDGING PART	1.00
PSV/64/485	STAIRCASE STEP EDGING PART	1.00
PSV/64/486	STAIRCASE STEP EDGING ASM	1.00
PSV/64/483	STAIRCASE STEP EDGING PART	1.00
PSV/64/487	STAIRCASE STEP EDGING PART	1.00
PSV/43/483	NBFL REAR STAIRCASE STEP EDGING KIT	1.00
PSV/64/488	STAIRCASE STEP EDGING ASM	2.00
PSV/64/483	STAIRCASE STEP EDGING PART	2.00
PSV/64/489	STAIRCASE STEP EDGING PART	1.00
PSV/64/490	STAIRCASE STEP EDGING ASM	1.00
PSV/64/483	STAIRCASE STEP EDGING PART	2.00
PSV/64/491	STAIRCASE STEP EDGING PART	1.00
PSV/11/282	STAIRCASE STEP EDGING ASM	1.00
PSV/64/483	STAIRCASE STEP EDGING PART	2.00
PSV/64/493	STAIRCASE STEP EDGING PART	1.00
PSV/51/480	STAIRCASE STEP EDGING ASM	1.00
PSV/64/483	STAIRCASE STEP EDGING PART	2.00
PSV/64/494	STAIRCASE STEP EDGING PART	1.00
PSV/64/495	STAIRCASE STEP EDGING ASM	1.00
PSV/64/483	STAIRCASE STEP EDGING PART	2.00
PSV/64/496	STAIRCASE STEP EDGING PART	1.00
PSV/64/497	STAIRCASE STEP EDGING ASM	1.00
PSV/64/483	STAIRCASE STEP EDGING PART	2.00
PSV/64/498	STAIRCASE STEP EDGING PART	1.00
PSV/43/484	NBFL FRONT STAIRCASE SWEEP EDGING KIT	1.00
PSV/60/959	NBFL CURVED STEP EDGING	6.00
PSV/60/960	NBFL CURVED STEP EDGING	1.00
PSV/51/521	NBFL CURVED STEP EDGING	1.00
PSV/51/522	NBFL CURVED STEP EDGING	3.00



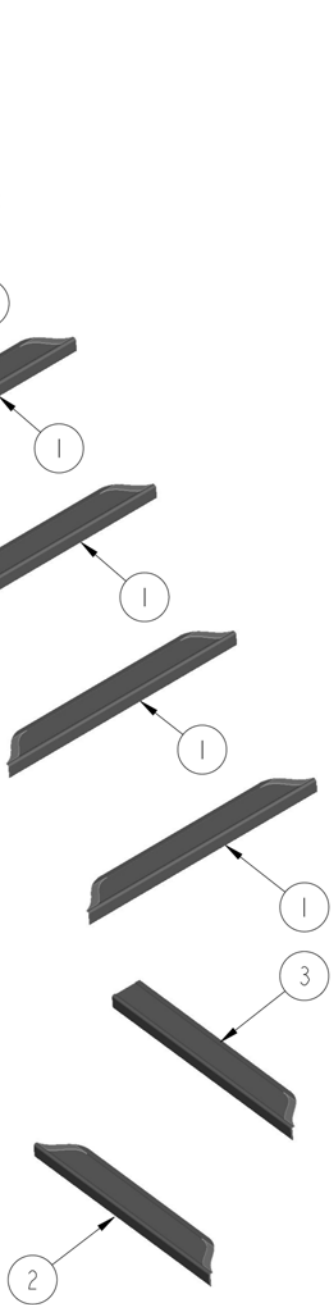
W14-04706

INTERIOR - STEP EDGING ASSEMBLY - NBFL



Stock Number	Description	Quantity
PSV/11/336	NBFL CURVED STEP EDGING	1.00
PSV/43/485	NBFL REAR STAIRCASE SWEPT EDGING KIT	1.00
PSV/62/065	NBFL CURVED STEP EDGING	1.00
PSV/11/335	NBFL CURVED STEP EDGING	1.00
PSV/64/549	NBFL CURVED STEP EDGING	1.00
PSV/64/550	NBFL CURVED STEP EDGING	1.00
PSV/64/551	NBFL CURVED STEP EDGING	1.00
PSV/11/283	NBFL CURVED STEP EDGING	1.00
PSV/51/520	NBFL CURVED STEP EDGING	1.00
PSV/51/539	NBFL CURVED STEP EDGING	7.00
PSV/05/043	STEP EDGE YELLOW INSERT	0.46
PSV/05/043	STEP EDGE YELLOW INSERT	0.22
PSV/51/477	STAIRCASE STEP EDGING PART	1.00
PSV/51/478	STAIRCASE STEP EDGING ASM	1.00
PSV/64/483	STAIRCASE STEP EDGING PART	1.00
PSV/64/492	STAIRCASE STEP EDGING PART	1.00
PSV/51/481	STAIRCASE STEP EDGING PART	1.00
PSV/12/974	REAR ENTRANCE DOOR STEP EDGING ASM	1.00
PSV/64/499	REAR ENTRANCE DOOR STEP EDGING PART	1.00
PSV/64/500	REAR ENTRANCE DOOR STEP EDGING PART	1.00
PSV/64/501	REAR ENTRANCE DOOR STEP EDGING PART	1.00
PSV/51/493	REAR ENTRANCE DOOR STEP EDGING ASM	1.00
PSV/64/502	REAR ENTRANCE DOOR STEP EDGING PART	1.00
PSV/64/503	REAR ENTRANCE DOOR STEP EDGING PART	1.00
PSV/64/504	REAR ENTRANCE DOOR STEP EDGING PART	1.00
PSV/51/496	FRONT ENTRANCE DOOR STEP FINISHER	1.00
PSV/51/499	DRIVERS CAB STEP EDGING ASM	1.00
PSV/64/506	DRIVERS CAB STEP EDGING PART	1.00
PSV/64/507	DRIVERS CAB STEP EDGING PART	1.00
PSV/64/508	DRIVERS CAB STEP EDGING PART	1.00
PSV/51/505	N/S SEATRAIL FINISHING PLATE	1.00
PSV/64/558	LIGHTWEIGHT RAMP STEP EDGING ASM - LH	1.00
PSV/64/559	LIGHTWEIGHT RAMP STEP EDGING - LH	1.00
PSV/64/560	LIGHTWEIGHT RAMP STEP EDGING - LH	1.00
PSV/64/561	LIGHTWEIGHT RAMP STEP EDGING - LH	1.00
PSV/64/562	LIGHTWEIGHT RAMP STEP EDGING PLATE	1.00
PSV/64/563	LIGHTWEIGHT RAMP STEP EDGING ASM - RH	1.00
PSV/64/562	LIGHTWEIGHT RAMP STEP EDGING PLATE	1.00
PSV/64/564	LIGHTWEIGHT RAMP STEP EDGING - RH	1.00
PSV/64/565	LIGHTWEIGHT RAMP STEP EDGING - RH	1.00
PSV/64/566	LIGHTWEIGHT RAMP STEP EDGING - RH	1.00

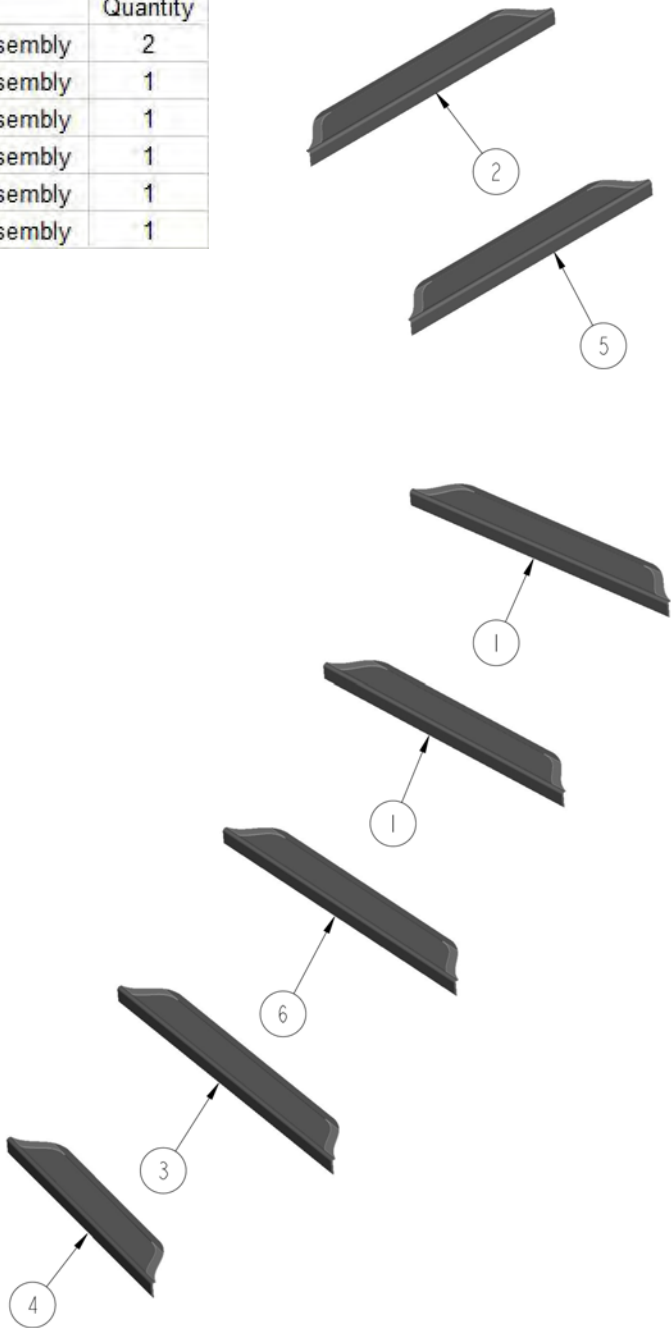
INTERIOR - STEP EDGING - FRONT STAIRCASE KIT



Index	Part Number	Component Type	Description	Quantity
1	PSV/11/281	Assembly	Wrightbus NBFL Front Staircase Step Edge Assembly	5
2	PSV/51/475	Assembly	Wrightbus NBFL Front Staircase Step Edge Assembly	1
3	PSV/51/476	Assembly	Wrightbus NBFL Front Staircase Step Edge Assembly	1
4	PSV/64/486	Assembly	Wrightbus NBFL Front Staircase Step Edge Assembly	1

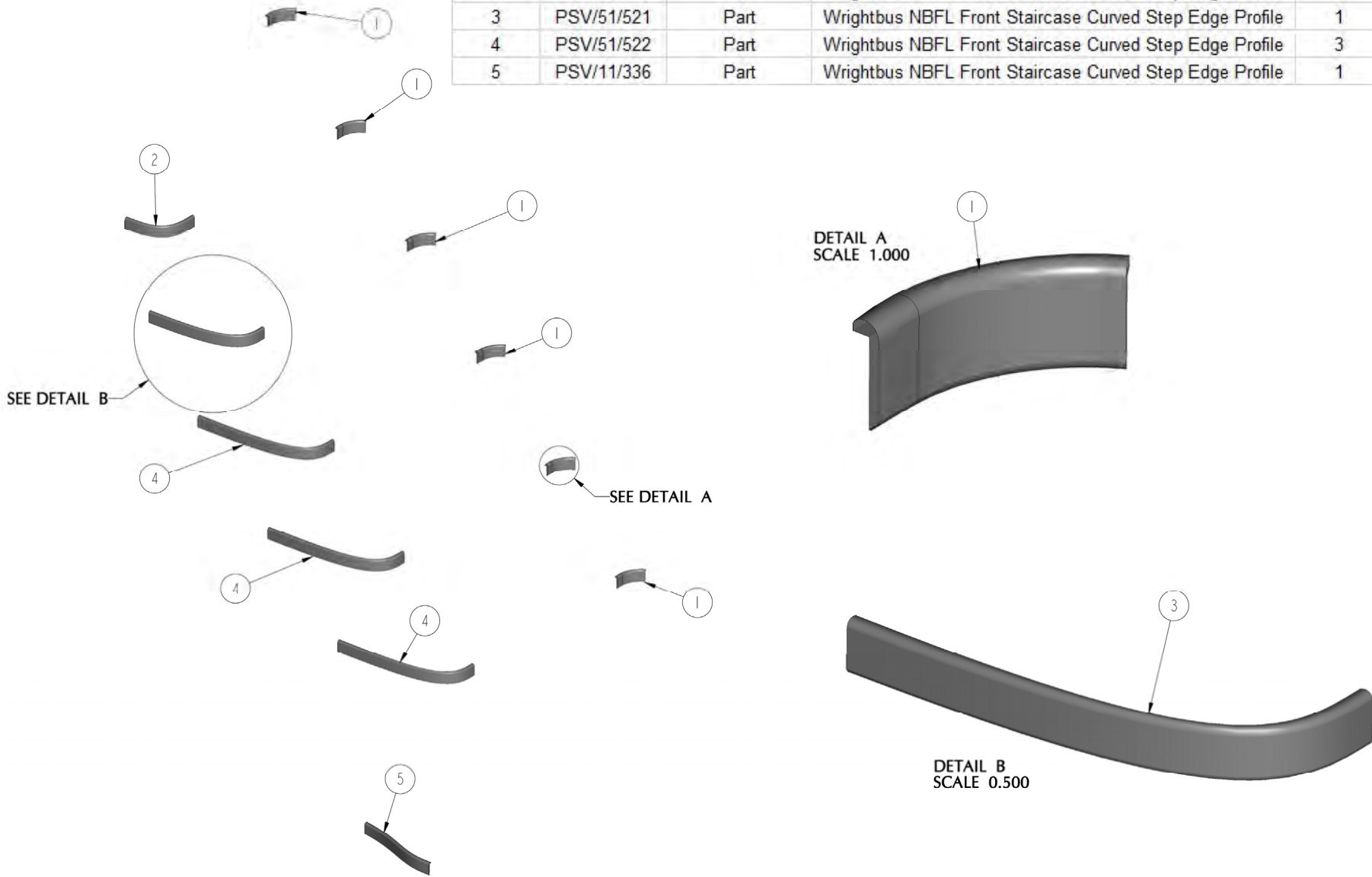
INTERIOR - STEP EDGING - REAR STAIRCASE KIT

Index	Part Number	Component Type	Description	Quantity
1	PSV/64/488	Assembly	Wrightbus NBFL Rear Staircase Step Edge Assembly	2
2	PSV/64/490	Assembly	Wrightbus NBFL Rear Staircase Step Edge Assembly	1
3	PSV/11/282	Assembly	Wrightbus NBFL Rear Staircase Step Edge Assembly	1
4	PSV/51/480	Assembly	Wrightbus NBFL Rear Staircase Step Edge Assembly	1
5	PSV/64/495	Assembly	Wrightbus NBFL Rear Staircase Step Edge Assembly	1
6	PSV/64/497	Assembly	Wrightbus NBFL Rear Staircase Step Edge Assembly	1



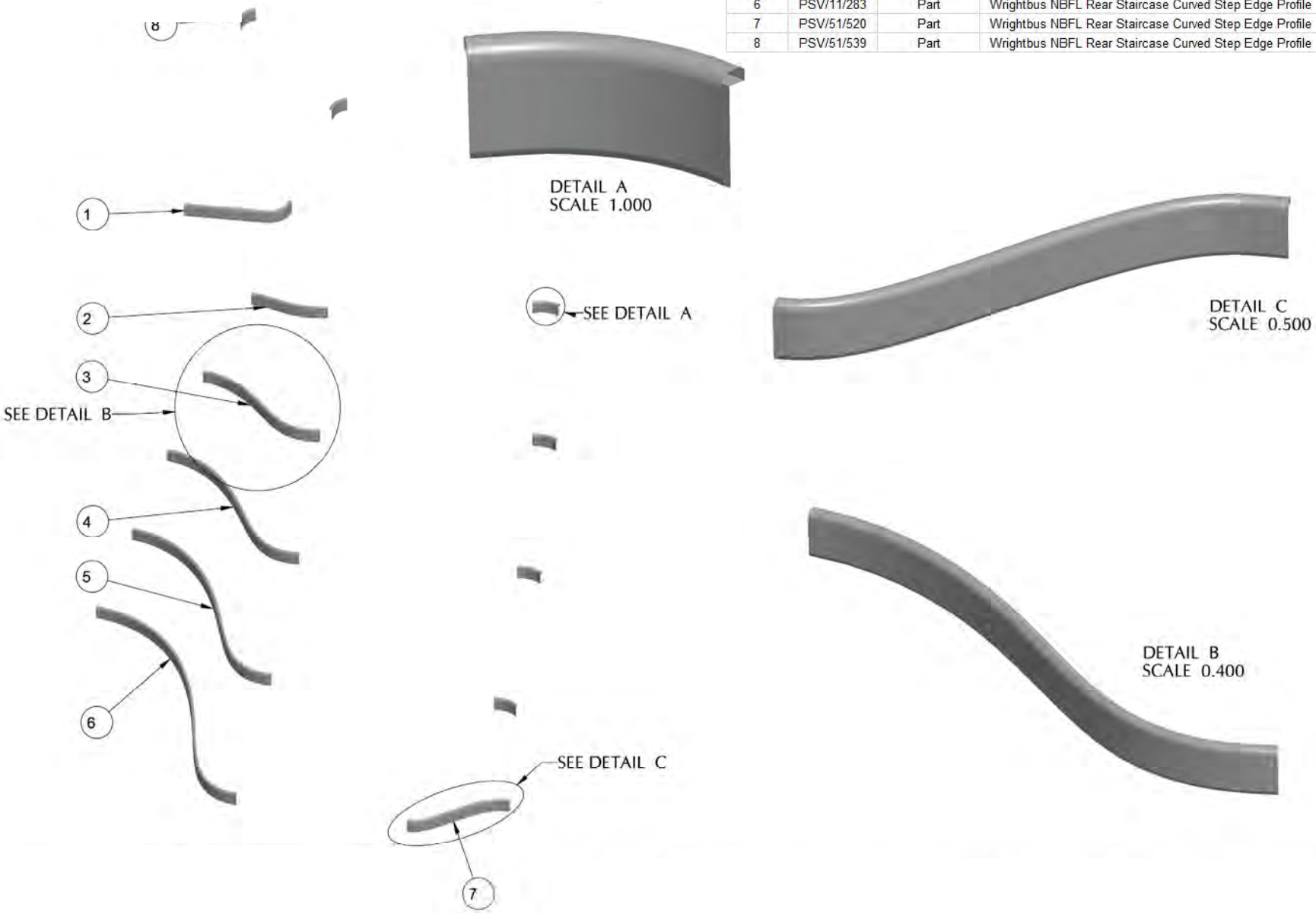
INTERIOR - STEP EDGING - FRONT STAIRCASE SWEEPING EDGE KIT

Index	Part Number	Component Type	Description	Quantity
1	PSV/60/959	Part	Wrightbus NBFL Front Staircase Curved Step Edge Profile	6
2	PSV/60/960	Part	Wrightbus NBFL Front Staircase Curved Step Edge Profile	1
3	PSV/51/521	Part	Wrightbus NBFL Front Staircase Curved Step Edge Profile	1
4	PSV/51/522	Part	Wrightbus NBFL Front Staircase Curved Step Edge Profile	3
5	PSV/11/336	Part	Wrightbus NBFL Front Staircase Curved Step Edge Profile	1



INTERIOR - STEP EDGING - REAR STAIRCASE SWEEPING EDGE KIT

Index	Part Number	Component Type	Description	Quantity
1	PSV/62/065	Part	Wrightbus NBFL Rear Staircase Curved Step Edge Profile	1
2	PSV/11/335	Part	Wrightbus NBFL Rear Staircase Curved Step Edge Profile	1
3	PSV/64/549	Part	Wrightbus NBFL Rear Staircase Curved Step Edge Profile	1
4	PSV/64/550	Part	Wrightbus NBFL Rear Staircase Curved Step Edge Profile	1
5	PSV/64/551	Part	Wrightbus NBFL Rear Staircase Curved Step Edge Profile	1
6	PSV/11/283	Part	Wrightbus NBFL Rear Staircase Curved Step Edge Profile	1
7	PSV/51/520	Part	Wrightbus NBFL Rear Staircase Curved Step Edge Profile	1
8	PSV/51/539	Part	Wrightbus NBFL Rear Staircase Curved Step Edge Profile	6



W14-04722

NBFL U/D VIDEO BOXES & PULPITS



Stock Number	Description	Quantity
PSV/62/355	NBFL VIDEO BOX FRONT - CLASS 2	1.00
PSV/62/356	NBFL VIDEO BOX REAR - CLASS 2	1.00
PSV/62/357	VIDEO BOX DOOR LARGE	2.00
PSV/62/358	VIDEO BOX DOOR MEDIUM	1.00
PSV/62/359	VIDEO BOX DOOR SMALL	1.00
PSV/62/360	NBFL U/D FRONT PULPIT PANEL INNER	1.00
PSV/62/361	NBFL U/D FRONT PULPIT PANEL OUTER	1.00
PSV/62/362	NBFL U/D FRONT PULPIT PANEL DOOR 1	1.00
PSV/62/363	NBFL U/D FRONT PULPIT PANEL DOOR 2	1.00
PSV/62/364	NBFL U/D FT PULPIT PANEL ELECT PNL INSRT	1.00
PSV/62/365	NBFL U/D FT PULPIT PANEL HEADROOM	1.00
PSV/13/369	NYLON WASHER FOR CAPTIVE FASTENER	10.00
PSV/13/369	NYLON WASHER FOR CAPTIVE FASTENER	10.00
PSV/54/145	STAINLESS STEEL RECEPTABLE RIVET TYPE	10.00
PSV/54/145	STAINLESS STEEL RECEPTABLE RIVET TYPE	10.00
PSV/21/127	SOUTHCO FAST LEAD TOOLHEAD SCREW	10.00
PSV/21/127	SOUTHCO FAST LEAD TOOLHEAD SCREW	10.00
PSV/64/280	ACCESS DOOR KEEPER BRACKET	10.00
PSV/64/304	UPPER DECK STAIRCASE PULPIT PACKER	6.00
PSV/64/523	NBFL U/D VIDEO BOX ANGLE	1.00
PSV/64/524	NBFL U/D VIDEO BOX ANGLE	1.00
PSV/64/525	NBFL U/D VIDEO BOX ANGLE	2.00
PSV/64/526	NBFL U/D VIDEO BOX ANGLE	1.00
PSV/64/527	NBFL U/D VIDEO BOX ANGLE	2.00
PSV/64/528	NBFL U/D VIDEO BOX ANGLE	2.00
PSV/64/529	NBFL U/D VIDEO BOX ANGLE	1.00
PSV/64/530	UPPER DECK VIDEO BOX ANGLE	2.00
PSV/51/504	PULPIT SUPPORT PLATE	1.00
PSV/51/506	NBFL FRONT ELECT PANEL SUPPORT	2.00
PSV/51/529	PULPIT FIXING ANGLE	1.00
PSV/51/537	HEAT BLOCKER ANGLE - PULPIT	1.00
PSV/64/569	FRONT UPPER DECK STAIRCASE PULPIT PACKER	1.00
PSV/64/570	FRONT UPPER DECK STAIRCASE PULPIT PACKER	1.00
PSV/64/571	CCTV PHONO CONNECTOR BRACKET	1.00
PSV/64/572	NBFL U/D VIDEO BOX ANGLE	2.00
PSV/64/573	NBFL U/D VIDEO BOX ANGLE	2.00

W14-04726

NBFL SALOON SEATS - FIXING BRACKETS



Stock Number	Description	Quantity
PSV/50/684	NBFL SEAT FIXING BRACKET ASSEMBLY	24.00
PSV/64/238	NBFL SEAT FIXING BRACKET	1.00
PSV/64/239	NBFL SEAT FIXING BRACKET PACKER	1.00
PSV/64/240	NBFL SEAT BRACKET - PART 1	8.00
PSV/51/540	NBFL SEAT BRACKET PACKERS	24.00





W14-04825

INTERIOR - STAIRCASE ASSEMBLY NBFL



Stock Number	Description	Quantity
PSV/62/221	NBFL CONNECTOR BLOCK SUPPORT	1.00
PSV/62/305	ALUM ANGLE 100x50x6mm (5M)	0.02
PSV/62/222	NBFL CONNECTOR BLOCK SUPPORT	1.00
PSV/37/891	ALUM RHS 25x25x3mm (5M)	0.12
PSV/62/223	NBFL CONNECTOR BLOCK SUPPORT	1.00
PSV/62/307	ALUM ANGLE 25x25x3mm (5M)	0.06
PSV/62/337	NBFL REAR STAIRCASE MAIN PART	1.00
PSV/62/338	NBFL REAR STAIRCASE TOP PART	1.00
PSV/62/339	NBFL FRONT STAIRCASE	1.00
PSV/62/340	NBFL REAR STAIRCASE RISER - PART 2	1.00
PSV/62/341	NBFL FRONT STAIRCASE RISER	1.00
PSV/62/342	NBFL REAR STAIRCASE BULKHEAD	1.00
PSV/62/343	NBFL STRINGER DOOR PT1	1.00
PSV/62/344	NBFL STRINGER DOOR PT2	1.00
PSV/62/345	NBFL REAR STAIRCASE BULKHEAD DOOR	1.00
PSV/62/346	NBFL FRONT STAIRCASE PARTITION PT 1	1.00
PSV/62/347	NBFL FRONT STAIRCASE PARTITION PT 2	1.00
PSV/62/348	CONDUCTORS LOCKER DOOR SURROUND	1.00
PSV/62/349	NBFL CONDUCTORS LOCKER DOOR	1.00
PSV/62/350	FRONT SCASE COMPENSATOR 1	1.00
PSV/62/351	REAR SCASE COMPENSATOR	1.00
PSV/62/352	FRONT STAIRCASE COMPENSATOR 2 V2	1.00
PSV/62/353	FRONT STAIRCASE COMPENSATOR 3 V2	1.00
PSV/62/354	STAIRCASE COVE COMPENSATOR	1.00
PSV/41/234	CONCEALED DOOR REMOVAL HINGE	2.00
PSV/12/347	SQUARE LOCK	1.00
PSV/54/145	STAINLESS STEEL RECEPTABLE RIVET TYPE	11.00
PSV/21/127	SOUTHCO FAST LEAD TOOLHEAD SCREW	11.00
PSV/46/339	CLOSED CELL FOAM 500MM WIDEX30MX6MM THK	7.00
PSV/64/111	LOCK PAWL KEEPER	1.00
PSV/64/505	STEP SUPPORT BRACKET	1.00
PSV/64/514	STAIRCASE PARTITION INTERFACE ASSY PLT 1	1.00
PSV/64/509	STAIRCASE PARTITION INTERFACE PLATE 1	1.00
PSV/64/512	POSITIONING STRIP FOR PARTITION EDGE	1.00
PSV/64/517	POSITIONING STRIP FOR PARTITION EDGE	2.00
PSV/64/515	STAIRCASE PARTITION INTERFACE ASSY PLT 2	1.00
PSV/64/510	STAIRCASE PARTITION INTERFACE PLATE 2	1.00
PSV/64/513	POSITIONING STRIP FOR PARTITION EDGE	2.00
PSV/64/516	POSITIONING STRIP FOR PARTITION EDGE	1.00
PSV/64/518	STAIRCASE PARTITION INTERFACE ASSY PLT 3	1.00
PSV/64/511	STAIRCASE PARTITION INTERFACE PLATE 3	1.00
PSV/64/512	POSITIONING STRIP FOR PARTITION EDGE	2.00
PSV/64/517	POSITIONING STRIP FOR PARTITION EDGE	1.00
PSV/64/519	POSITIONING STRIP FOR PARTITION EDGE	1.00
PSV/51/510	REAR STAIRCASE SEALING PANEL	1.00
PSV/51/511	REAR STAIRCASE GRP ATTACHMENT ANGLE	1.00
PSV/51/512	REAR GRP CEILING ATTACHMENT ANGLE	1.00
PSV/51/513	REAR STAIRCASE GRP ATTACHMENT ANGLE	1.00
PSV/64/542	FRONT STAIRCASE RISER SUPPORT ANGLE	1.00



W14-04825

INTERIOR - STAIRCASE ASSEMBLY NBFL



Stock Number	Description	Quantity
PSV/64/543	STAIRCASE PARTITION STRENGTHENER	1.00
PSV/64/544	STAIRCASE PARTITION SUPPORT ANGLE	1.00
PSV/64/545	STAIRCASE PARTITION SUPPORT ANGLE	1.00
PSV/64/546	STAIRCASE PARTITION SUPPORT ANGLE	1.00
PSV/64/547	STAIRCASE PARTITION SUPPORT ANGLE	2.00
PSV/64/548	STAIRCASE PARTITION SUPPORT ANGLE	2.00
PSV/51/530	STAIRCASE COVE COMPENSATOR SUPPORT ANGLE	3.00
PSV/64/552	FRT STAIRCASE COMPENSATOR SUPPORT ANGLE	1.00
PSV/64/553	FRT STAIRCASE COMPENSATOR SUPPORT ANGLE	1.00
PSV/64/554	FRT STAIRCASE COMPENSATOR SUPPORT ANGLE	1.00
PSV/64/555	FRT STAIRCASE COMPENSATOR SUPPORT ANGLE	2.00
PSV/51/549	FRONT STAIRCASE SUPPORT PRESSING	1.00
PSV/51/550	FRONT STAIRCASE SUPPORT PRESSING	1.00
PSV/64/691	STAIRCASE PARTITION PACKER	1.00



W15-00503

BONDED ANTI-BANDIT DSU - NBFL



Stock Number	Description	Quantity
PSV/62/284	SIKA AKTIVATOR 1 LITRE	0.10
PSV/62/284	SIKA AKTIVATOR 1 LITRE	0.10
PSV/62/285	SIKATAACK MOVE TRANS. 600 ML SAUSAGE BLK.	0.50
PSV/62/286	SIKA 206 G+P PRIMER 1 LITRE TIN	0.10
PSV/62/286	SIKA 206 G+P PRIMER 1 LITRE TIN	0.10
PSV/63/121	ANTI-BANDIT DRIVERS SIGNAL UNIT	1.00
PSV/63/123	REPLACEMENT GLASS - TOP GLASS	1.00
PSV/63/124	REPLACEMENT GLASS - FRONT OUTER SLIDER	1.00
PSV/63/125	REPLACEMENT GLASS - REAR INNER SLIDER	1.00
PSV/63/126	REPLACEMENT GLASS - BOTTOM GLASS	1.00
PSV/64/574	DRIVERS SIGNAL UNIT VERTICAL CAPPING	1.00
PSV/56/584	BONDED WINDOW SPACER PAD, 10X10X6MM	16.00
PSV/56/588	BONDED WINDOW SPACER PAD, 40x12x6mm	2.00





W15-00531

ANTI-REFLECTION OVERLAY - DEST GLASS



Stock Number	Description	Quantity
PSV/64/694	ANTI-GLARE FILM	0.07





W15-00532

NBFL ALL GLASS ANTI VANDAL CLEAR FILM



Stock Number	Description	Quantity
PSV/62/300	FITTING PROTECTION FILM - FULL VEHICLE	1.00





W15-00621

NBFL BODY GLASS - LIGHTWEIGHT



Stock Number	Description	Quantity
PSV/62/284	SIKA AKTIVATOR 1 LITRE	1.00
PSV/62/284	SIKA AKTIVATOR 1 LITRE	1.00
PSV/62/285	SIKATAACK MOVE TRANS. 600 ML SAUSAGE BLK.	40.00
PSV/62/286	SIKA 206 G+P PRIMER 1 LITRE TIN	1.00
PSV/62/286	SIKA 206 G+P PRIMER 1 LITRE TIN	1.00
PSV/43/922	NBfL UPPER DECK GLASS KIT - LIGHTWEIGHT	1.00
PSV/44/099	UPPER DECK BODY GLASS - LIGHTWEIGHT	1.00
PSV/44/100	UPPER DECK BODY GLASS - LIGHTWEIGHT	2.00
PSV/44/101	UPPER DECK BODY GLASS - LIGHTWEIGHT	2.00
PSV/44/102	UPPER DECK BODY GLASS - LIGHTWEIGHT	1.00
PSV/44/103	UPPER DECK BODY GLASS - LIGHTWEIGHT	1.00
PSV/44/104	UPPER DECK BODY GLASS - LIGHTWEIGHT	1.00
PSV/44/105	UPPER DECK BODY GLASS - LIGHTWEIGHT	1.00
PSV/44/106	UPPER DECK BODY GLASS - LIGHTWEIGHT	1.00
PSV/44/107	UPPER DECK BODY GLASS - LIGHTWEIGHT	1.00
PSV/44/108	UPPER DECK BODY GLASS - LIGHTWEIGHT	1.00
PSV/44/109	UPPER DECK BODY GLASS - LIGHTWEIGHT	1.00
PSV/44/110	UPPER DECK BODY GLASS - LIGHTWEIGHT	1.00
PSV/44/111	UPPER DECK BODY GLASS - LIGHTWEIGHT	1.00
PSV/43/923	NBfL LOWER DECK GLASS KIT	1.00
PSV/44/082	BODY GLASS, LOWER DECK NBfL	1.00
PSV/44/083	BODY GLASS, LOWER DECK NBfL	1.00
PSV/44/084	BODY GLASS, LOWER DECK NBfL	1.00
PSV/44/085	BODY GLASS, LOWER DECK NBfL	1.00
PSV/44/086	BODY GLASS, LOWER DECK NBfL	1.00
PSV/44/087	BODY GLASS, LOWER DECK NBfL	1.00
PSV/44/088	BODY GLASS, LOWER DECK NBfL	1.00
PSV/44/089	BODY GLASS, LOWER DECK NBfL	1.00
PSV/44/090	BODY GLASS, LOWER DECK NBfL	1.00
PSV/44/091	BODY GLASS, LOWER DECK NBfL	1.00
PSV/44/092	BODY GLASS, DIAGONAL OFFSIDE NBfL	1.00
PSV/63/107	NBfL FRONT DESTINATION GLASS	1.00
PSV/63/115	NBfL UPPER FRONT SCREEN	1.00
PSV/63/116	NBfL UPPER N/S FRONT GLASS	1.00
PSV/63/117	NBfL UPPER O/S FRONT GLASS	1.00
PSV/63/118	NBfL REAR GLASS TOP PART	1.00
PSV/63/119	NBfL REAR GLASS CENTRE PART	1.00
PSV/63/120	NBfL REAR GLASS BOTTOM PART	1.00
PSV/21/077	BREAK GLASS BUTTON -STP30/N	7.00
PSV/21/079	YELLOW SAFETY TAG FOR BREAK GLASS TOOL	1.00
PSV/51/645	NBfL UPPER FRONT GLASS JOINING STRIP	2.00
PSV/56/584	BONDED WINDOW SPACER PAD, 10X10X6MM	512.00
PSV/56/588	BONDED WINDOW SPACER PAD, 40x12x6mm	72.00



W15-00682

NBFL WINDSCREEN GLASS



Stock Number	Description	Quantity
PSV/63/106	NBFL FRONT WINDSCREEN	1.00
PSV/11/812	O/HEAD CONSOLE RUBBER SECTION	3.00
PSV/64/724	GLASS EDGE PROTECTION RUBBER	1.10



W16-00772

FINISHING - LABELS - NBFL



Stock Number	Description	Quantity
PSV/47/569	LABELS KIT - NBFL	1.00
PSV/63/960	^HANDBRAKE LABEL	1.00
PSV/63/962	LABELS - GENERIC CHASSIS & JOB/DIM PLATE	1.00
PSV/63/964	LABELS - EMERGENCY SWITCH - RED / WHITE	1.00
PSV/62/055	LABELS - EMERGENCY SWITCH LAB.-(ORANGE)	1.00
PSV/13/686	LABELS - RAMP RATCHET >	1.00
PSV/47/838	LABELS - RAMP SWL 300KGS RFS	1.00
PSV/47/853	LABELS - PUSH TO STOP ENGINE	1.00
PSV/13/318	LABELS - NBFL ROOF HATCH EMG EXIT	2.00
PSV/48/175	TOWING INSTRUCTION LABEL FOR DOUBLE DECK	1.00
PSV/63/966	LABELS - WRIGHTBUS STEERING WHEEL LOGO	1.00
PSV/63/963	NEW BUS FOR LONDON PLAQUE	1.00
PSV/53/719	NBFL ROUNDEL BADGE	1.00





W16-00794

FINISHING - PAINT TO SPEC. BNFL 10.2M DD



Stock Number	Description	Quantity
PSV/62/279	SEALANT - P.O. RED	8.00
PSV/62/282	SEALER SURFACE ACTIVATOR	0.10
PSV/64/703	ACTIVATOR - NORMAL D841E3	5.00
PSV/53/783	THINNERS - D812E5	5.00
PSV/64/704	PPG - BRILLIANT WHITE - WRB.*0130 DN DG	3.00
PSV/64/705	PPG WRIGHT BUS LONDON RED DG FLT.*0285	11.00
PSV/64/707	PPG-PAINT INDIA RED TO MATCH HMG F2605	3.00
PSV/64/708	PAINT - FINISHING BLACK RAL 9005 DN DG	2.00



W16-00907

FINISHING - COMMON PARTS - NBFL



Stock Number	Description	Quantity
PSV/62/224	LOWER DECK SIDE PLANK ALLOY CAPPING	1.00
PSV/38/256	CAPPING FOR LOWER SIDE CLADDING 10M	0.20
PSV/62/225	LOWER DECK SIDE PLANK ALLOY CAPPING	1.00
PSV/38/256	CAPPING FOR LOWER SIDE CLADDING 10M	0.43
PSV/62/226	LOWER DECK SIDE PLANK ALLOY CAPPING	1.00
PSV/38/256	CAPPING FOR LOWER SIDE CLADDING 10M	0.88
PSV/62/227	LOWER DECK SIDE PLANK ALLOY CAPPING	1.00
PSV/38/256	CAPPING FOR LOWER SIDE CLADDING 10M	0.00
PSV/62/276	ADH SIKA 205 CLEAN 1 LITRE	0.25
PSV/62/283	ADH SIKA 555 600ML SAUSAGE	2.00
PSV/62/285	SIKATAK MOVE TRANS. 600 ML SAUSAGE BLK.	14.00
PSV/54/963	BPC CHASSIS COAT BRONZE BC80	0.50





W17-00190

ELECTRICAL - PULSAR GEMINI MPH CLOCKS



Stock Number	Description	Quantity
PSV/42/231	WRIGHTBUS ICM-1 MPH VARIANT 1	1.00
PSV/42/246	DMUX32-C Display Protective Screen	1.00





W17-00329

ELECTRICAL - FUSES FOR NBFL



Stock Number	Description	Quantity
PSV/62/847	LUCAS 15A BLADE FUSE BLUE	10.00
PSV/62/848	CFB410 W25 FUSE 10A RED	10.00
PSV/62/849	LUCAS 7.5A BLADE FUSE BROWN	10.00
PSV/19/255	3 AMP BLADE FUSE	10.00
PSV/62/852	5A STD.BLADE FUSE	10.00
PSV/19/253	1A STANDARD BLADE FUSE	10.00
PSV/42/339	30A MAXI BLADE FUSE	10.00
PSV/62/855	MIDI TYPE FUSE 80AMP - DURITE 0-378-18	3.00
PSV/62/857	50 AMP MIDI FUSE	3.00
PSV/62/860	150A MIDI TYPE FUSE	4.00
PSV/62/861	100A MIDI TYPE FUSE	4.00
PSV/62/863	30 AMP MIDI FUSE	1.00
PSV/62/864	60 AMP MIDI FUSE	3.00





W17-00401

NBFL ELECT-INDUCTION LOOP SYSTEM



Stock Number	Description	Quantity
PSV/62/841	2 CORE (RED BLACK) BLACK	25.00
PSV/42/499	INDUCTION LOOP AMPLIFIER	2.00
PSV/62/877	INDUCTION LOOP AMP BRACKET	4.00
PSV/60/220	INDUCTION LOOP PAD	4.00
PSV/62/878	INDUCTION LOOP VOLTAGE DROPPER 24-12V	1.00
PSV/62/879	INDUCTION LOOP MICROPHONE	1.00
PSV/62/880	TIL SUPPLY LOOM	1.00
PSV/62/881	INDUCTION LOOP IBUS LINK CABLE	1.00
PSV/62/882	INDUCTION LOOP MIC EXTENSION 3M CABLE	1.00
PSV/64/449	INDUCTION LOOP AMP MOUNTING BRACKET	1.00





W17-00436
ELECTRICAL - BODY



Stock Number	Description	Quantity
PSV/36/964	DIAGNOSTIC MTG PANEL	1.00
PSV/36/966	21 WAY BLOCK CONNECTOR	4.00
PSV/36/966	21 WAY BLOCK CONNECTOR	1.00
PSV/62/242	NBFL DIAGNOSTIC ELECTRIC PANEL	1.00
PSV/62/240	NBFL DIAGNOSTIC ELECTRIC PANEL	1.00
PSV/62/241	NBFL DIAGNOSTIC ELECTRIC PANEL	1.00
PSV/62/246	NBFL DIAGNOSTIC BKT ABOVE FUEL TANK	1.00
PSV/62/247	UPPER DECK PULPIT ELECTRICAL PANEL ASM	1.00
PSV/63/041	M5 - FLANGED NUTSERT	35.00
PSV/64/578	NBFL UD PULPIT ELEC PANEL	1.00
PSV/62/841	2 CORE (RED BLACK) BLACK	12.00
PSV/62/841	2 CORE (RED BLACK) BLACK	4.00
PSV/62/841	GRIPTONE BOOSTER SOCKET	1.00
PSV/62/850	LOCK NUT -25mm EHL/3	2.00
PSV/62/851	BUSH - 25mm SMB/3	2.00
PSV/42/309	PANEL PLUG 3+E	1.00
PSV/42/312	PJ1 JOINTING BOX	5.00
PSV/11/030	BELL - 24V HEAVY DUTY	3.00
PSV/19/763	2-WAY WATER PROOF PLUG	5.00
PSV/19/735	SOCKET, SIZE 16, SOLID CRIMP, 1MM, NI	10.00
PSV/04/024	MULTITONE BUZZER 10-28V	1.00
PSV/42/359	COMMS PLUG DUST CAP	1.00
PSV/19/776	LOCK WEDGE RECEPTACLE 2-WAY	5.00
PSV/19/778	LOCK WEDGE PLUG 2-WAY	5.00
PSV/42/372	25/8 CRIMPING LUG WW ELECTRODIESEL	2.00
PSV/62/854	MIDI TYPE FUSE HOLDER	1.00
PSV/42/373	16/6 EYELET - AUTOMARINE CTT 16/6	1.00
PSV/11/557	CPU WAKE-UP BOARD	1.00
PSV/11/790	24V MODULAR FUSE BOARD SERIES 1 (MFB-S1)	1.00
PSV/42/399	24V MODULAR FUSE BOARD SERIES 1 (MFB-S1)	1.00
PSV/62/862	24V MODULAR FUSE BOARD BUSBAR	2.00
PSV/02/107	LIGHT MONITORING UNIT 6 CHANNEL	1.00
PSV/62/871	TACHOGRAPH PLUG WHITE	1.00
PSV/11/743	CAN AMBIENT LIGHT LEVEL SENSOR	1.00
PSV/11/903	FLUID LEVEL INDICATION BOX	1.00
PSV/62/887	25mm OPEN GROMMET	2.00
PSV/02/108	LARGE NODE FOR MULTIPLEX ELECTRICAL SYS	5.00
PSV/02/109	ZR32A-CPU - NOTE: MUST BE PROGRAMMED	1.00
PSV/42/897	50x75 OPEN SLOT TRUNKING	0.32
PSV/62/893	80x100mm OPEN SLOT TRUNKING	1.35
PSV/62/894	60x80mm OPEN SLOT TRUNKING	1.65
PSV/33/126	24V SPCO RELAY 10A/20A	4.00
PSV/02/039	ZF DNR SWITCH (P/N: 6006 017 192)-HORIZ	1.00
PSV/56/129	DOOR MICROSWITCH - ADJUSTABLE ARM LENGTH	2.00
PSV/11/441	MUX OUTPUT RESET SWITCH YELLOW	1.00
PSV/11/169	110 DEG C THERMAL SWITCH	2.00
PSV/62/897	AUTOMARINE 6MM EYELET TE	4.00
PSV/62/898	16/8 LUGS AUTOMARINE PART CTT16/8	5.00

W17-00436
ELECTRICAL - BODY



Stock Number	Description	Quantity
PSV/62/915	NBFL EVAPORATOR POWER LOOM	1.00
PSV/62/916	NBFL CONDENSOR POWER LOOM	1.00
PSV/43/130	NBFL BATTERY LOOM	1.00
PSV/62/920	NBFL - FRONT END LOOM	1.00
PSV/62/921	NBFL - INTERIOR REAR END LOOM	1.00
PSV/62/922	NBFL - NS INTERFLOOR LOOM	1.00
PSV/62/923	NBFL - NS ROOF LIGHT LOOM	1.00
PSV/62/924	NBFL O/S INTERFLOOR LOOM	1.00
PSV/62/925	NBFL - OS ROOF LIGHT LOOM	1.00
PSV/62/926	NBFL POWER LOOM	1.00
PSV/62/927	NBFL - BATTERY BOOST LOOM	1.00
PSV/62/931	NBFL - FRONT END HIGH LEVEL LOOM	1.00
PSV/62/932	NBFL - ELECTRICAL CENTRE MID LOOM	1.00
PSV/62/933	NBFL - OS MAIN LOOM	1.00
PSV/62/934	NBFL DASH LOOM	1.00
PSV/63/031	M3X25 PAN HD.M/SCREW	10.00
PSV/60/162	M3 NYLOC NUT	18.00
PSV/63/099	M3x12 PAN HEAD MACHINE SCREW Z/C	8.00
PSV/63/842	INSUL.TUBE 22MM BLACK	3.00
PSV/47/568	ELECTRICAL LABELS KIT NBFL	1.00
PSV/63/945	NODE 2B-1.1 - LABEL	1.00
PSV/63/946	NODE 2B-1.2 - LABEL	1.00
PSV/63/947	NODE 2B-1.3 - LABEL	1.00
PSV/63/948	NODE 2B-2.1 - LABEL	1.00
PSV/63/949	NODE 2B-2.2 - LABEL	1.00
PSV/63/950	SOCKET	1.00
PSV/63/951	CPU - LABEL	1.00
PSV/63/952	KIBES COMMS LABEL - ELECTRICAL	1.00
PSV/63/953	CPU WAKE UP BOARD LABEL - ELECTRICAL	1.00
PSV/63/954	INDICATOR RESISTORS LABEL - ELECTRICAL	1.00
PSV/63/955	BODY + ELECTRICAL LABEL	1.00
PSV/63/956	BODY + 30 ELECTRICAL LABEL	1.00
PSV/63/957	NODE 2B-1.4 - LABEL	1.00
PSV/63/958	HYBRID + - LABEL	1.00
PSV/63/959	HYBRID +30 - LABEL	1.00
PSV/64/536	NBFL MID DOOR HEAD MOUNTING PLATE	1.00
PSV/64/537	NBFL FT STAIR BELL & BUZZER MTG PLATE	1.00
PSV/51/515	PWM TO ANALOGUE MODULE MTG BKT	1.00



W17-00437

ELECTRICAL - DRIVELINE



Stock Number	Description	Quantity
PSV/62/299	SUBSCRIPTION REMOTE DIAGNOSTIC 21 CENTUR	1.00
PSV/15/866	ELFA GATEWAY UNIT (DICO)	1.00
PSV/42/259	CABLE CAN SHEILDED WITH SHIELDED GROUND	15.50
PSV/62/845	CONNECTOR KIT X1 - A5E01068694	3.00
PSV/62/846	CONNECTOR KIT X2 - A5E01068700	2.00
PSV/42/303	9 WAY SOCKET (9 PIN)	1.00
PSV/32/004	CABLE CLIP-ROUND PIN TYPE	9.00
PSV/42/312	PJ1 JOINTING BOX	2.00
PSV/42/337	35/10 CRIMPING LUGS	2.00
PSV/42/338	70/10 CRIMPING LUG	8.00
PSV/19/753	2-WAY WATER PROOF RECEPTACLE	5.00
PSV/19/733	PIN, SIZE 16, SOLID CRIMP, 1MM, NI	31.00
PSV/42/352	50/10 CRIMPING LUG CTT 50/10	24.00
PSV/19/776	LOCK WEDGE RECEPTACLE 2-WAY	5.00
PSV/19/779	LOCK WEDGE RECEPTACLE 3-WAY	1.00
PSV/42/376	FRONT ELECTRICAL BOX - DIE CAST	1.00
PSV/42/378	USE ELT-00131	2.00
PSV/42/383	10 CRIMP LUGS - 50/8	2.00
PSV/62/858	CTT 70/8 CRIMPING LUG	2.00
PSV/62/859	250A MEGA FUSE (DURITE P/N:0-376-25)	1.00
PSV/19/607	MEGA FUSE HOLDER (DURITE P/N: 0-376-85)	1.00
PSV/11/790	24V MODULAR FUSE BOARD SERIES 1 (MFB-S1)	1.00
PSV/40/022	PWM TO ANALOGUE MODULE CR3003	4.00
PSV/42/413	300Amp DC-DC CONVERTER (WATER COOLED)	1.00
PSV/15/776	HEAT SLEEVING 80MMX1000MM	3.00
PSV/22/099	5.5 75AH 12V DUAL PURPOSE BATTERY	2.00
PSV/62/870	KITAS SENSOR CABLE - 15M	1.00
PSV/62/872	INSULATION MONITORING UNIT (BENDER)	1.00
PSV/42/446	METALIC GLAND M25x1.5 FOR 35MMSQ CABLE	2.00
PSV/42/447	METALIC GLAND M25x1.5 FOR 50MMSQ CABLE	13.00
PSV/42/448	METAL GLAND ADAPTOR F/M25 TO M/M32	3.00
PSV/42/455	HEAT SHRINK CLEAR OD 25.4MM TO 12.4MM	3.00
PSV/62/873	DATA LOGGER 21 CENTUARY	1.00
PSV/62/874	BATTERY PACK VALENCE	1.00
PSV/20/896	FUSE 20A 700VDC	1.00
PSV/10/991	FUSE BLOCK MODULAR M8 STUD	16.00
PSV/42/460	ENCLOSURE S.STEEL 400X300X120 IP69K	1.00
PSV/42/461	TERMINAL POST RED	1.00
PSV/42/462	TERMINAL POST BLACK	1.00
PSV/42/464	COPPER BUS BAR - SMALL	3.00
PSV/42/478	METAL GLAND LOCKNUT M25	12.00
PSV/42/479	METALIC GLAND M25x1.5 FOR 70MMSQ CABLE	2.00
PSV/42/480	METALIC GLAND M16x1.5 FOR 3MMSQ CABLE	2.00
PSV/42/481	METAL GLAND LOCKNUT M16	2.00
PSV/62/875	24V POWER DIST BOARD HYBRID SERIES 1	1.00
PSV/42/488	SPACER M5 X 15	8.00
PSV/31/186	KISSLING 300A BATTERY MASTER SOLENOID	1.00
PSV/62/876	6 X 11 RUBBER BOOT	1.00
PSV/10/973	BAT ISOLATOR 500A M10 C/W AUX CONTACTS	1.00

W17-00437

ELECTRICAL - DRIVELINE



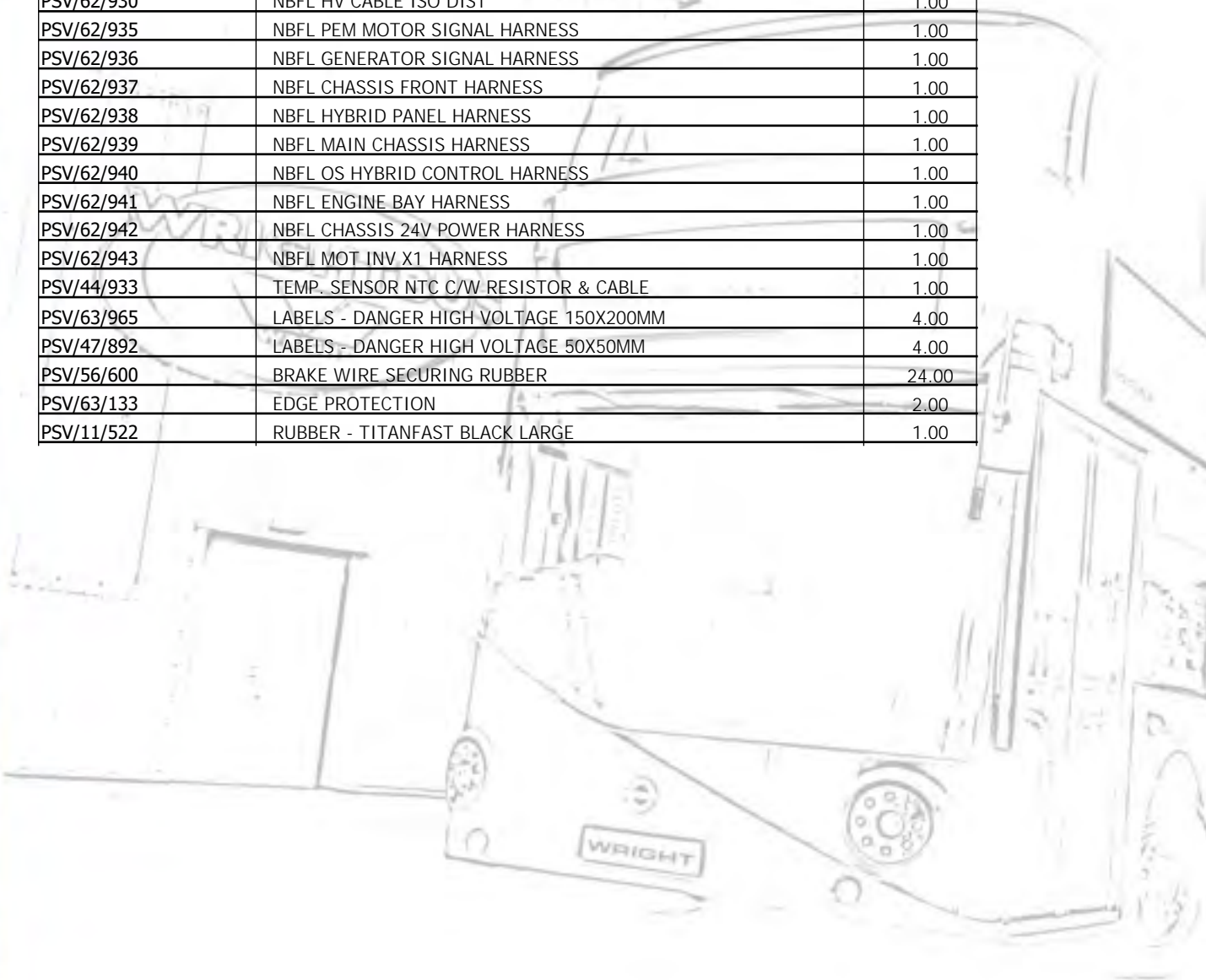
Stock Number	Description	Quantity
PSV/20/895	FUSE 32A 700VDC	2.00
PSV/42/506	ENCLOSURE S.STEEL 150X150X80 IP69K	1.00
PSV/42/507	METAL GLAND M25	6.00
PSV/42/510	DC TO DC BUS BAR	1.00
PSV/42/533	EARTH STRAP ROUND 400MM M10 M12 70MMSQ	1.00
PSV/42/534	EARTH STRAP 300MM M10 M10 70MMSQ	3.00
PSV/42/536	HIGH IMPEDANCE SNAP ON EMI SUPPRESS.CORE	5.00
PSV/42/537	BROADBAND SPLIT/SNAP ON FERRITE CORE	10.00
PSV/42/538	DC FEED THROUGH CAPACITOR	3.00
PSV/42/539	FILTER CONNECTOR PIN SKT ADAPTOR 1000pF	2.00
PSV/42/544	BRAID 300MM M8 M10	2.00
PSV/42/545	BRAID 300MM M10 M10	2.00
PSV/42/546	BRAID 500MM M8 M10	4.00
PSV/42/547	BRAID 500MM M10 M10	1.00
PSV/42/548	BRAID 600MM M8 M10	1.00
PSV/42/549	BRAID 600MM M10 M12	1.00
PSV/42/550	BRAID 850MM M8 M10	2.00
PSV/62/885	HEXAGONAL SPACER M6 X 60MM	4.00
PSV/42/551	TERMINAL STUD M8X20	2.00
PSV/42/552	TERMINAL STUD M10X20	1.00
PSV/62/886	SPACER M4-60MM-M4 FEMALE-FEMALE	4.00
PSV/42/556	3WAY DEUTSCH FLANGED RECEPTACLE	1.00
PSV/42/557	METAL GLAND LOCKNUT M20	3.00
PSV/42/558	COPPER BUS BAR - POSITIVE	1.00
PSV/42/559	COPPER BUS BAR - NEGATIVE	1.00
PSV/42/560	TERMINAL BLOCK 6W	2.00
PSV/42/561	ENCLOSURE 140X101X77	1.00
PSV/42/569	GLAND EMC M20	3.00
PSV/42/570	DC-DC 600V CABLE 5M	1.00
PSV/42/571	SPEED RESISTOR CIRCUIT POTTED	1.00
PSV/62/888	VALENCE BAT CABLE	1.00
PSV/02/108	LARGE NODE FOR MULTIPLEX ELECTRICAL SYS	1.00
PSV/42/867	50x50mm OPEN SLOT TRUCKING 2M LONG	1.00
PSV/42/869	80x60 SLOTTED TRUNKING WITH LID (GREY)	1.00
PSV/62/891	HOUSING INTERCONNECTION - A5E02165286	1.00
PSV/62/892	FEMALE CONTACT MOTOR SIDE - 1007812	12.00
PSV/33/126	24V SPCO RELAY 10A/20A	12.00
PSV/11/169	110 DEG C THERMAL SWITCH	5.00
PSV/10/1003	150 DEG C THERMAL SWITCH	1.00
PSV/42/933	ENGINE EMERGENCY STOP SWITCH	1.00
PSV/62/896	ENGINE BAY START SWITCH	1.00
PSV/62/902	NBFL PEM HV CABLE MI1-L1 PEM-U	1.00
PSV/62/903	NBFL PEM HV CABLE MI1-L2 PEM-V	1.00
PSV/62/904	NBFL PEM HV CABLE MI1 L3 PEM-W	1.00
PSV/62/905	NBFL PEM HV CABLE DIST-POS MI1-P2	1.00
PSV/62/906	NBFL PEM HV CABLE DIST-NEG MI1-M2	1.00
PSV/62/907	NBFL PEM HV CABLE MI1-P1 GI-P1	1.00
PSV/62/908	NBFL PEM HV CABLE MI1-M1 GI-M1	1.00
PSV/62/909	NBFL PEM HV CABLE GI-L3 G-W	1.00

W17-00437

ELECTRICAL - DRIVELINE



Stock Number	Description	Quantity
PSV/62/910	NBFL PEM HV CABLE GI-L2 G-V	1.00
PSV/62/045	NBFL PEM HV CABLE GI-L1 G-U	1.00
PSV/62/911	NBFL PEM HV CABLE GI-P2 BR-POS	1.00
PSV/62/912	NBFL PEM HV CABLE GI-L4 BR-NEG	1.00
PSV/62/913	NBFL HV CABLE DC-DC DIST	1.00
PSV/11/690	NBFL HV CABLE PWR-STEER DIST	1.00
PSV/62/914	NBFL HV CABLE AIR-COMP DIST	1.00
PSV/62/917	NBFL HV HARNESS VPM L1	1.00
PSV/62/918	NBFL HV HARNESS VPM L2	1.00
PSV/62/919	NBFL HV HARNESS VPM L3	1.00
PSV/62/928	NBFL GEN INV X1 HARNESS	1.00
PSV/62/929	NBFL VPM INV X1 HARNESS	1.00
PSV/62/930	NBFL HV CABLE ISO DIST	1.00
PSV/62/935	NBFL PEM MOTOR SIGNAL HARNESS	1.00
PSV/62/936	NBFL GENERATOR SIGNAL HARNESS	1.00
PSV/62/937	NBFL CHASSIS FRONT HARNESS	1.00
PSV/62/938	NBFL HYBRID PANEL HARNESS	1.00
PSV/62/939	NBFL MAIN CHASSIS HARNESS	1.00
PSV/62/940	NBFL OS HYBRID CONTROL HARNESS	1.00
PSV/62/941	NBFL ENGINE BAY HARNESS	1.00
PSV/62/942	NBFL CHASSIS 24V POWER HARNESS	1.00
PSV/62/943	NBFL MOT INV X1 HARNESS	1.00
PSV/44/933	TEMP. SENSOR NTC C/W RESISTOR & CABLE	1.00
PSV/63/965	LABELS - DANGER HIGH VOLTAGE 150X200MM	4.00
PSV/47/892	LABELS - DANGER HIGH VOLTAGE 50X50MM	4.00
PSV/56/600	BRAKE WIRE SECURING RUBBER	24.00
PSV/63/133	EDGE PROTECTION	2.00
PSV/11/522	RUBBER - TITANFAST BLACK LARGE	1.00



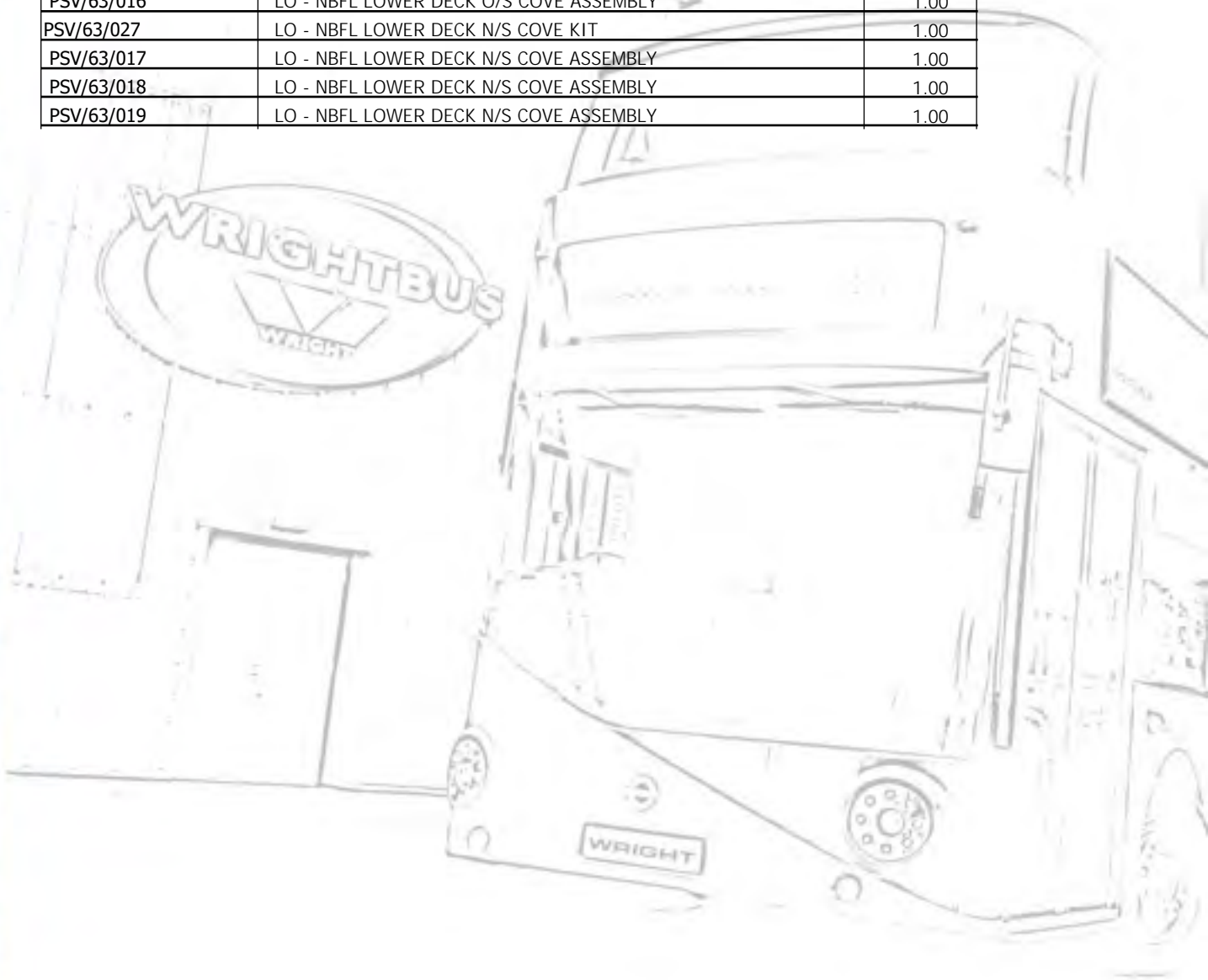


W18-00198

FIBREGLASS ASSY - NBFL COVES



Stock Number	Description	Quantity
PSV/63/025	LO - NBFL UPPER DECK COVE KIT	1.00
PSV/62/998	LO - NBFL UPPER DECK COVE ASSEMBLY	1.00
PSV/62/999	LO - NBFL UPPER DECK COVE ASSEMBLY	1.00
PSV/63/002	LO - NBFL UPPER DECK COVE ASSEMBLY	1.00
PSV/63/003	LO - NBFL UPPER DECK COVE ASSEMBLY	1.00
PSV/63/004	LO - NBFL UPPER DECK COVE ASSEMBLY	1.00
PSV/63/005	LO - NBFL UPPER DECK COVE ASSEMBLY	1.00
PSV/63/006	LO - NBFL UPPER DECK COVE ASSEMBLY	1.00
PSV/63/007	LO - NBFL UPPER DECK COVE ASSEMBLY	1.00
PSV/63/026	LO - NBFL LOWER DECK O/S COVE KIT	1.00
PSV/63/014	LO - NBFL LOWER DECK O/S COVE ASSEMBLY	1.00
PSV/63/015	LO - NBFL LOWER DECK O/S COVE ASSEMBLY	1.00
PSV/63/016	LO - NBFL LOWER DECK O/S COVE ASSEMBLY	1.00
PSV/63/027	LO - NBFL LOWER DECK N/S COVE KIT	1.00
PSV/63/017	LO - NBFL LOWER DECK N/S COVE ASSEMBLY	1.00
PSV/63/018	LO - NBFL LOWER DECK N/S COVE ASSEMBLY	1.00
PSV/63/019	LO - NBFL LOWER DECK N/S COVE ASSEMBLY	1.00



W18-00256

LABOUR ONLY FIBREGLASS ASSY - NBFL



Stock Number	Description	Quantity
PSV/62/995	NBFL DRIVERS OVERHEAD CONSOLE	1.00
PSV/64/461	NBFL OVERHEAD CONSOLE STIFFENER	1.00
PSV/63/008	LO - NBFL MID DOORHEAD ASSEMBLY	1.00
PSV/63/009	LO - NBFL REAR DOME ENGINE DOOR	1.00
PSV/63/010	LO - NBFL CONDUCTORS LOCKER BOX DOOR	1.00
PSV/63/011	LO - NBFL REAR IBUS MONITOR HOUSING	1.00
PSV/63/012	LO - NBFL REAR STAIRCASE ASSEMBLY	1.00
PSV/63/013	LO - NBFL FRONT STAIRCASE ASSEMBLY	1.00
PSV/63/020	NBFL DRIVERS DASH ASSEMBLY	1.00
PSV/63/021	FRONT STAIRCASE PARTITION 1/2 ASSEMBLY	1.00
PSV/63/022	LO - NBFL PULPIT ASSEMBLY	1.00
PSV/63/023	LO - NBFL REAR STAIRCASE RISER PT1	1.00
PSV/62/338	NBFL REAR STAIRCASE TOP PART	1.00
PSV/46/339	CLOSED CELL FOAM 500MM WIDEX30MX6MM THK	0.30
PSV/63/024	LO - NBFL REAR STAIRCASE BULKHEAD	1.00
PSV/62/342	NBFL REAR STAIRCASE BULKHEAD	1.00
PSV/46/339	CLOSED CELL FOAM 500MM WIDEX30MX6MM THK	1.00
PSV/62/047	LO - FIBREGLASS ASSY- DRIVERS PART, DOOR	1.00





W19-00654

FREE ISSUE - TICKET EQUIP.AND CARD READE



Stock Number	Description	Quantity
PSV/42/254	Communications Cable	70.00
PSV/42/515	44-way High Density D flying socket	3.00
PSV/42/516	Shielding Ferrule 5.51-6.25 DIA	6.00
PSV/42/517	15-way High Density D flying socket	3.00
PSV/42/518	Crimps for High Density D type	50.00
PSV/42/519	2-way mini mate-n-lok	3.00
PSV/42/520	Crimps for min-n-lok	8.00
PSV/63/093	TICKET MACHINE WITH SMARTCARD READER	1.00
PSV/63/094	BUS SMARTCARD VALIDATOR	3.00





W19-00761

FREE ISSUE - TFL NBFL VINYL



Stock Number	Description	Quantity
PSV/63/097	FREE ISSUE - TFL NBFL VINYL	1.00
PSV/63/098	NBFL TFL NOTICES KIT	1.00





W19-00778

IBUS TELEMATIC EQUIPMENT - NBFL



Stock Number	Description	Quantity
PSV/42/246	4 CORE SCREENED CABLE CA/YY2B	20.00
PSV/42/250	6mm GREEN AND YELLOW TRI-RATED CABLE	17.00
PSV/19/345	PRE INS. TERMINALS	2.00
PSV/62/856	SPEAKER CABLE	150.00
PSV/62/866	T121 4.3mm RING TERMINAL	6.00
PSV/62/867	BUSH - 32mm	3.00
PSV/62/868	LOCK NUT - 32mm	3.00
PSV/63/058	IBUS MDT CABLE	1.00
PSV/63/059	IBUS TRS CABLE	1.00
PSV/63/060	IBUS OBNSS CABLE	1.00
PSV/63/061	IBUS OBNSS CABLE	1.00
PSV/63/062	IBUS DC/DC MPT CABLE	1.00
PSV/63/063	IBUS TRS	1.00
PSV/63/064	IBUS IBIS UNIT	1.00
PSV/63/065	IBUS MPT RADIO	1.00
PSV/63/066	IBUS DC/DC CONVERTER	1.00
PSV/60/218	IBUS LOUDSPEAKER GRILL	2.00
PSV/63/067	IBUS PASSENGER LOUDSPEAKER	13.00
PSV/63/068	IBUS DRIVERS SPEAKER	1.00
PSV/63/069	IBUS MICROPHONE	1.00
PSV/63/070	IBUS FOOTSWITCH	1.00
PSV/63/071	IBUS FOOTSWITCH HOUSING	1.00
PSV/63/072	IBUS 2 STUD ANTENNA	1.00
PSV/63/073	IBUS TLP RADIO	1.00
PSV/63/074	IBUS MDT DISPLAY	1.00
PSV/63/075	IBUS DONGLE	1.00
PSV/63/076	IBUS DONGLE COVER	1.00
PSV/63/077	IBUS TRS MOUNTING BRACKET	1.00
PSV/63/078	IBUS MICROPHONE BRACKET	1.00
PSV/63/090	IBUS OBNSS CABLE	2.00
PSV/63/091	IBUS OBNSS CABLE	2.00
PSV/63/092	BUS 'LONG' BUS STOPPING SIGN	1.00
PSV/63/092	BUS 'LONG' BUS STOPPING SIGN	2.00
PSV/63/095	IBUS EME CABLE KITT 6M	1.00
PSV/63/079	IBUS ANTENNA CABLE UMTS	1.00
PSV/63/080	IBUS GHP-WLAN CABLE	1.00
PSV/63/081	IBUS GHP-GSM/GPRS CABLE	1.00
PSV/63/082	IBUS GHP-GSM CABLE	1.00
PSV/63/083	IBUS MPT RADIO ANTENNA CABLE	1.00
PSV/63/084	IBUS EARTH LINK CABLE	1.00
PSV/63/096	IBUS SVDO CABLE KIT	1.00
PSV/63/085	IBUS TERMINAL BLOCK & CABLES 1M	1.00
PSV/63/086	IBUS CABLE 2 TLP to RADIO	1.00
PSV/63/087	IBUS CABLE 3 MPT to RADIO	1.00
PSV/63/088	IBUS CABLE 4 DRIVERS MIC	1.00
PSV/63/089	IBUS CABLE 5 TICKET MACHINE	1.00
PSV/63/108	NBFL REAR IBUS GLASS	1.00
PSV/63/114	NBFL STAIRCASE PARTITION IBUS GLASS	1.00
PSV/64/418	IBUS ATTACH ANGLE	2.00

W19-00778

IBUS TELEMATIC EQUIPMENT - NBFL



Stock Number	Description	Quantity
PSV/64/420	NBFL REAR IBUS ATTACH ANGLE	2.00
PSV/51/297	SPEAKER ATTACHMENT BRACKET	13.00
PSV/64/429	NBFL FRONT IBUS ATTACHMENT ANGLE	2.00
PSV/51/314	IBUS RADIO MOUNTING BRACKET	1.00
PSV/51/329	IBUS TERMINAL BLOCK MOUNTING BRACKET ASM	2.00
PSV/63/047	M6 STEEL NUTSERT RANGE 3-5.5mm	1.00
PSV/64/463	IBUS TERMINAL BLOCK MOUNTING BRACKET	1.00
PSV/64/464	NBFL VIDEO BOX MOUNTING BRACKET ASM	1.00
PSV/63/042	CSK NUTSERT M5	6.00
PSV/63/043	M6 CSK NUTSERT	10.00
PSV/64/448	NBFL VIDEO BOX MOUNTING BRACKET	1.00
PSV/51/330	IBUS TERMINAL BLOCK MOUNTING BRACKET	1.00
PSV/43/677	M5 - LARGE FLANGE,SPLINED NUTSERT	4.00
PSV/64/413	TLP RADIO MOUNTING BRACKET	1.00
PSV/64/465	IBUS SUPPORT ANGLE ASSEMBLY	1.00
PSV/63/047	M6 STEEL NUTSERT RANGE 3-5.5mm	2.00
PSV/64/419	IBUS SUPPORT ANGLE	1.00
PSV/64/466	IBUS SUPPORT ANGLE ASSEMBLY	1.00
PSV/63/047	M6 STEEL NUTSERT RANGE 3-5.5mm	2.00
PSV/64/421	IBUS SUPPORT ANGLE	1.00

