

W12-00512

SHEETMETAL - BASIC ASSEMBLY - 10.4M B9TL

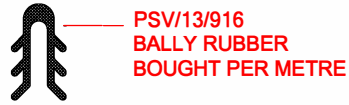
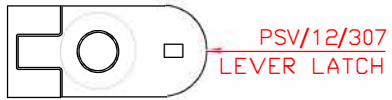
Stock Number	Description	Quantity
PSV/36/181	B9TL RADIATOR LOWER PANEL	1.00
PSV/11/121	B9TL E4 OS LOWER PANEL ATTACH BRACKET	1.00
PSV/21/129	B9TL E4 OS LOWER PANEL ATTACH BRACKET	1.00
PSV/21/130	B9TL E4 LOWER REAR OS PANL BRACKET SUPPT	1.00
PSV/12/307	SEALED LEVER LATCH - C/W 'T' KEY LOCK	2.00
PSV/99/366	AD-BLUE FILLER SUPPORT BRACKET	1.00
PSV/99/367	AD-BLUE FILLER SUPPORT BRACKET	1.00
PSV/51/145	AD-BLUE FILLER DRIP TRAY ASSEMBLY	1.00
- PSV/64/370	UREA FILL SHROUD 10mm STAINLESS ST FILL	1.00
- PSV/99/368	AD-BLUE FILLER DRIP TRAY PART 1	1.00
PSV/56/585	RUBBER BUNG DOOR STOP	2.00
PSV/56/585	B9TL 10.4M SHEETMETAL KIT - SINGLE DOOR	1.00
- PSV/135/032	D DECK O/S SIDE PANEL - 1407mm	2.00
- PSV/54/096	1387mm D DECK CAPPING ABOVE BATT PANEL	1.00
- PSV/54/036	N/S FRONT W/ARCH PANEL - 633mm (NO BEAD)	1.00
- PSV/135/030	N/S REAR W/ARCH PANEL - 695mm (NO BEAD)	1.00
PSV/135/045	O/S FRONT W/ARCH PANEL - 654mm (NO BEAD)	1.00
PSV/135/039	O/S REAR W/ARCH PANEL - 693mm (NO BEAD)	1.00
-PSV/135/026	N/S FRONT W/ARCH PANEL - ADD FIXING	1.00
- PSV/54/038	N/S FRONT WHEELARCH PANEL	1.00
- PSV/13/916	ALUM ACCESSY BALLY RUBBER	1.00
- -PSV/71/463	PANEL STRENGTHENING RIB	1.00
-PSV/135/044	O/S FRONT W/ARCH PANEL - ADD FIXING	1.00
-PSV/54/039	O/S FRONT WHEELARCH PANEL	1.00
- PSV/13/916	ALUM ACCESSY BALLY RUBBER	1.00
- -PSV/13/916	PANEL STRENGTHENING RIB	1.00
- PSV/36/461	DOUBLE DECK SKIRT PANEL 857mm	2.00
- PSV/54/040	DOUBLE DECK SKIRT PANEL 1482mm	1.00
- PSV/54/043	DOUBLE DECK N/S REAR WHEELARCH PANEL	1.00
- PSV/135/059	B9TL EU4 O/S REAR WHEELARCH PANEL	1.00
- PSV/54/047	B9TL N/S REAR SHEETMETAL PANEL	1.00
-PSV/54/093	B9TL O/S REAR SHEETMETAL PANEL	1.00
-PSV/36/599	O/S AD-BLUE SHEETMETAL PANEL ASSEMBLY	1.00
-PSV/99/950	O/S AD-BLUE SHEETMETAL PANEL	1.00
- PSV/13/393	FUEL FILLER FLAP - SMALL	1.00
- PSV/13/916	ALUM ACCESSY BALLY RUBBER	15.32
-PSV/54/095	HINGE PANEL STRIKER PLATE	1.00
-PSV/11/260	PROTEX EXTENDED STRIKER	1.00
- PSV/135/063	B9TL EU4 O/S FRONT HINGED PANEL	1.00
- PSV/36/462	B9TL EU4 BATTERY PANEL	1.00
- PSV/99/385	BATTERY PANEL STRUT BRACKET	1.00
- PSV/60/1863	DOOR STRUT BRACKET	1.00
- PSV/10/899	STAY - TELESCOPIC HEAVY DUTY	1.00
- PSV/62/953	M6x30 CAD ENG.BOLT	1.00
-PSV/67/720	M6x50 CAD ENG.BOLT	1.00
- PSV/63/032	M6 SELF FINISH HEX NUT	2.00
- PSV/60/161	M6 SELF FINISH NYLOC NUT	2.00
- PSV/43/704	1/4in.FLAT STEEL WASHER	7.00

W12-00512

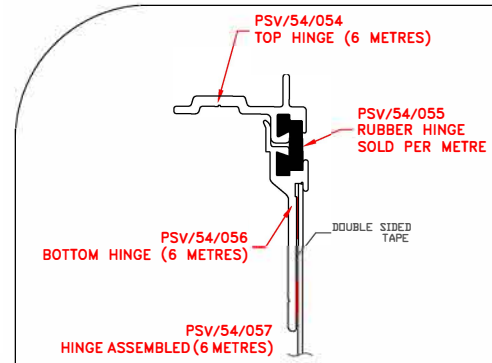
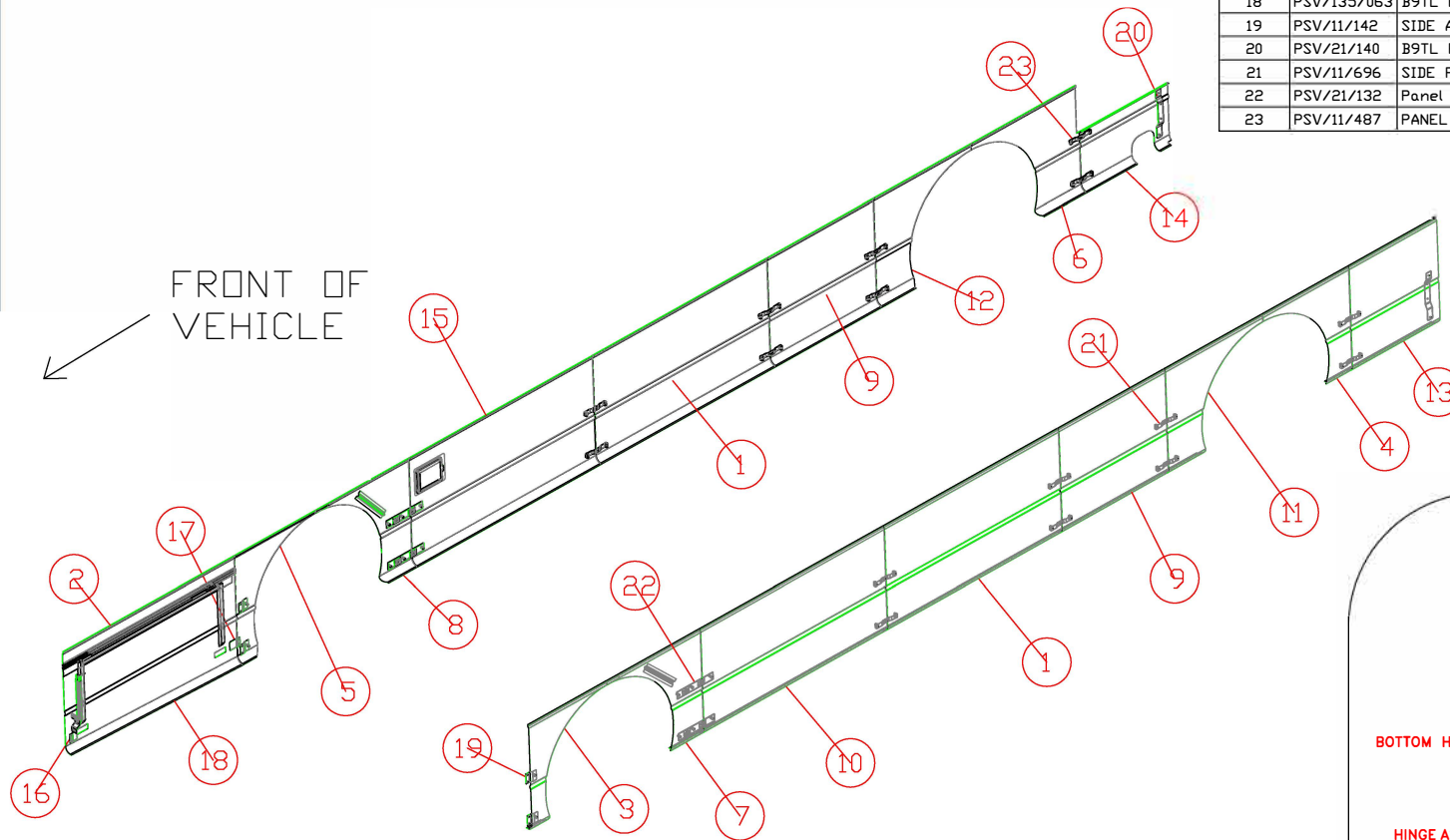
SHEETMETAL - BASIC ASSEMBLY - 10.4M B9TL

Stock Number	Description	Quantity
- PSV/99/386	HINGE BAR SECTION - BATTERY DOOR	1.00
- PSV/99/387	HINGE BAR SECTION - BATTERY DOOR	1.00
- PSV/11/142	SHEETMETAL BRACKET	4.00
- PSV/21/140	B9TL EURO4 REAR SHEETMETAL PANEL BRACKET	2.00
- PSV/11/696	PANEL ATTACHMENT BRACKET	15.00
- PSV/21/132	WHEELARCH PANEL BRACKET ASSEMBLY	4.00
- PSV/11/487	PANEL ATTACHMENT BRACKET - MILLED END	1.00

*NB: HINGED PANELS HAVE HEAVY DUTY STAYS (PSV/10/899) AND 2 PSV/12/307 SEALED LEVER LATCHES
 BLACK SIKA 260 (ADA-00027) IS USED ON PANELS WHICH HAVE STRENGTHENERS
 BETASEAL (ADA-00006) IS USED TO SEAL THE RADIATOR PANEL
 IF A PANEL IS REMOVED, BE SURE TO USE NEW M8x20 BOLTS (PSV/43/348) ON RE-ASSEMBLY
 IF REPLACING RADIATOR MESH, BE SURE TO USE GENUINE WRIGHTS PARTS FOR CORRECT AIR FLOW



Index	Part No.	Description	Qty
1	PSV/135/032	N/S SIDE PANEL	2
2	PSV/54/096	CAPPING FOR HINGED PANEL	1
3	PSV/54/036	N/S SIDE PANEL	1
4	PSV/135/030	N/S SIDE PANEL	1
5	PSV/135/045	N/S SIDE PANEL	1
6	PSV/135/039	N/S SIDE PANEL	1
7	PSV/135/026	WHEEL ARCH PANEL ASSEMBLY	1
8	PSV/135/044	WHEEL ARCH PANEL ASSEMBLY	1
9	PSV/36/461	N/S SIDE PANEL	2
10	PSV/54/040	N/S SIDE PANEL	1
11	PSV/54/043	N/S SIDE PANEL	1
12	PSV/135/059	N/S SIDE PANEL	1
13	PSV/54/047	B9TL N/S REAR SHEETMETAL PANEL	1
14	PSV/54/093	B9TL O/S REAR SHEETMETAL PANEL	1
15	PSV/36/599	O/S AD-BLUE SHEETMETAL PANEL ASSEMBLY	1
16	PSV/54/095	HINGE PANEL STRIKER PLATE	1
17	PSV/11/260	PROTEX EXTENDED STRIKER	1
18	PSV/135/063	B9TL EU4 O/S FRONT HINGED PANEL	1
19	PSV/11/142	SIDE ATTACHMENT BRACKET	4
20	PSV/21/140	B9TL EUR04 REAR SHEETMETAL PANEL BKT	2
21	PSV/11/696	SIDE PANEL ATT BRACKET	15
22	PSV/21/132	Panel Attachment Bracket Assembly	4
23	PSV/11/487	PANEL ATTACHMENT BRACKET - MILLED END	1



SHEETMETAL - BASIC ASSEMBLY
 W12-00512

ALLOY
PILLAR TRIMS

