

W11-00526
EXTERIOR REAR - FIBREGLASS

PSV/99/361
REAR FIBREGLASS DOME

NOTE: PHOTO FOR ILLUSTRATION PURPOSES ONLY



PSV/38/169
N/S REAR LIGHT PANEL

PSV/38/171
N/S REAR CORNER BUMPER

PSV/68/421
MIDDLE BUMPER

PSV/38/172
O/S REAR CORNER BUMPER

PSV/99/362
O/S REAR LIGHT PANEL

W12-00569

SHEETMETAL - BASIC ASSEMBLY 10.4M - BRLH

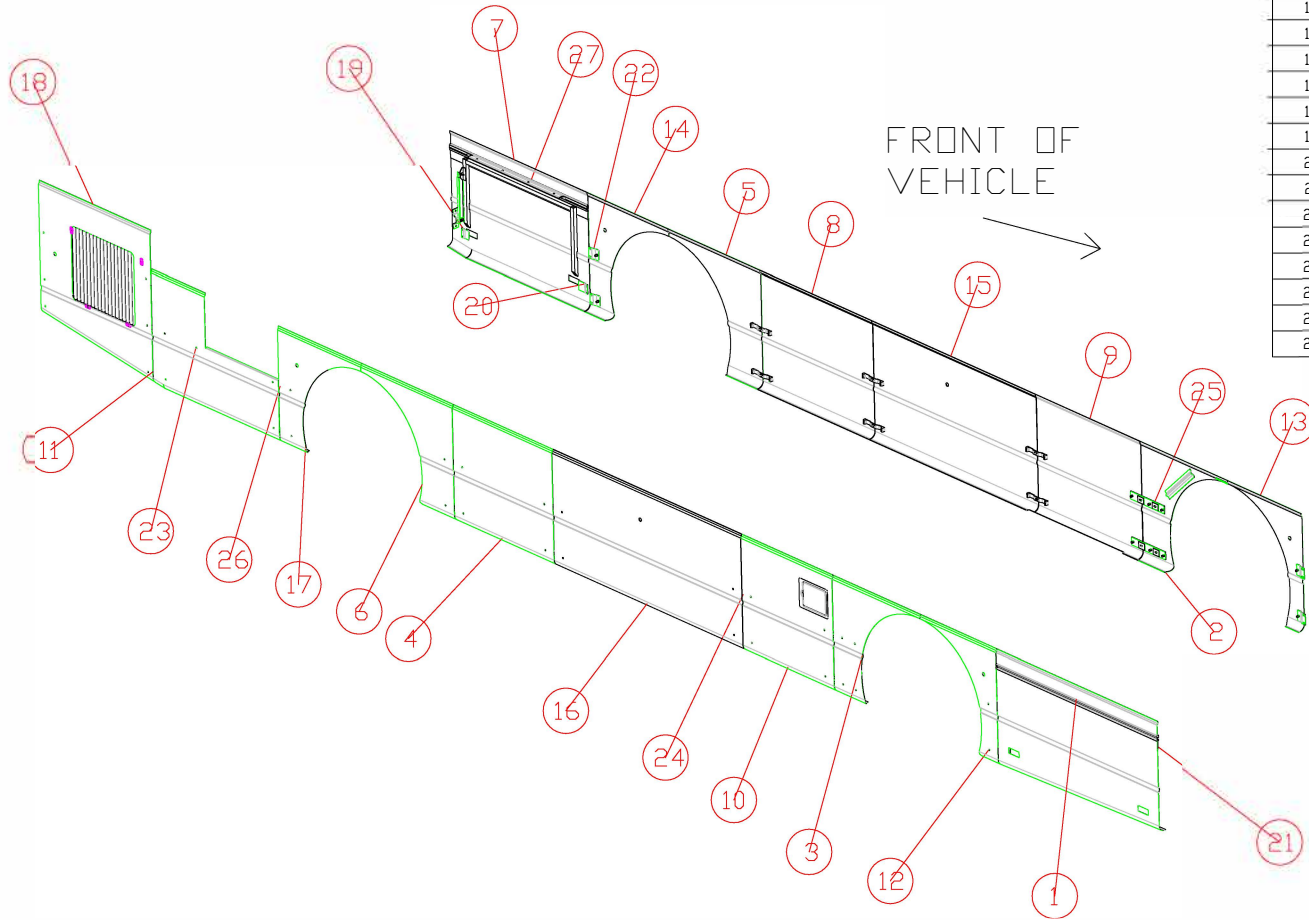
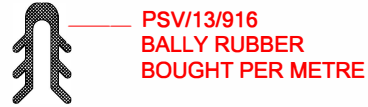
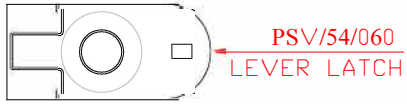
Stock Number	Description	Quantity
PSV/99/363	BETACLEAN 3350 1 LITRE TIN	0.05
PSV/99/364	DOW PRIMER 1707	0.25
PSV/99/365	BETASEAL 1407 600ML SAUSAGE	0.50
PSV/12/307	SEALED LEVER LATCH - C/W 'T' KEY LOCK	4.00
PSV/10/052	DOOR MICROSWITCH - ADJUSTABLE ARM LENGTH	1.00
PSV/63/283	13-20MM JUBILEE CLIP	1.00
PSV/63/287	19mm NORMA HOSE CLIP	2.00
PSV/11/362	M8 PILLAR PACKER TOGGLE	16.00
PSV/99/366	AD-BLUE FILLER SUPPORT BRACKET	1.00
PSV/99/367	AD-BLUE FILLER SUPPORT BRACKET	1.00
PSV/51/145	AD-BLUE FILLER DRIP TRAY ASSEMBLY	1.00
- PSV/64/370	UREA FILL SHROUD 10mm STAINLESS ST FILL	1.00
PSV/99/368	AD-BLUE FILLER DRIP TRAY PART 1	1.00
PSV/64/720	3mm BLACK RIBBED RUBBER 1.2m WIDE	0.20
PSV/56/585	RUBBER BUNG DOOR STOP	4.00
PSV/99/369	SHEETMETAL KIT - BRLH 1 DR	1.00
- PSV/54/096	1387mm D DECK CAPPING ABOVE BATT PANEL	1.00
- PSV/135/026	N/S FRONT W/ARCH PANEL - ADD FIXING	1.00
- PSV/54/038	N/S FRONT WHEELARCH PANEL	1.00
- - PSV/13/916	ALUM ACCESSY BALLY RUBBER	1.00
- PSV/71/463	PANEL STRENGTHENING RIB	1.00
- PSV/135/044	O/S FRONT W/ARCH PANEL - ADD FIXING	1.00
- - PSV/54/039	O/S FRONT WHEELARCH PANEL	1.00
- - PSV/13/916	ALUM ACCESSY BALLY RUBBER	1.00
- - PSV/71/463	PANEL STRENGTHENING RIB	1.00
- PSV/36/461	DOUBLE DECK SKIRT PANEL 857mm	1.00
- PSV/54/043	DOUBLE DECK N/S REAR WHEELARCH PANEL	1.00
- PSV/135/059	B9TL EU4 O/S REAR WHEELARCH PANEL	1.00
- PSV/36/534	CAPPING ABOVE ACCESS PANEL	1.00
- PSV/36/586	DOUBLE DECK SKIRT PANEL 962MM	1.00
- PSV/36/587	DOUBLE DECK SKIRT PANEL 898MM	1.00
- PSV/36/600	SHEETMETAL PANEL	1.00
- - PSV/99/370	DOUBLE DECK SKIRT PANEL 784MM	1.00
- - PSV/13/393	FUEL FILLER FLAP - SMALL	1.00
- PSV/13/362	SHEETMETAL PANEL	1.00
- PSV/36/629	W/ARCH SHEETMETAL PANEL	1.00
- PSV/36/630	W/ARCH SHEETMETAL PANEL	1.00
- PSV/99/371	WHEELARCH SHEETMETAL PANEL	1.00
- PSV/99/372	SIDE SHEETMETAL PANEL	1.00
- PSV/36/680	SIDE SHEETMETAL PANEL	1.00
- PSV/13/363	WHEELARCH SHEETMETAL PANEL	1.00
- PSV/36/682	RADIATOR PANEL REAR O/S ASSEMBLY	1.00
- - PSV/99/373	ISAM RADIATOR ACTIVE COOLING GRILL	1.00
- - - PSV/99/374	ISAM RADIATOR ACTIVE COOLING LOUVRE	18.00
- - - PSV/99/375	ISAM RADIATOR ACTIVE COOLING FRAME PART	1.00
- - - PSV/99/376	ISAM RADIATOR ACTIVE COOLING FRAME PART	1.00
- - - PSV/99/377	ISAM RADIATOR ACTIVE COOLING FRAME PART	1.00
- - - PSV/99/377	ISAM RADIATOR ACTIVE COOLING FRAME PART	1.00

W12-00569

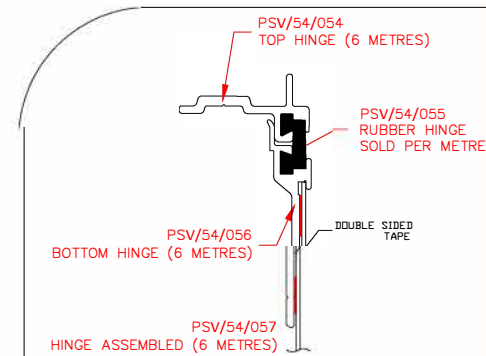
SHEETMETAL - BASIC ASSEMBLY 10.4M - BRLH

Stock Number	Description	Quantity
- - - PSV/99/378	BUGTRAP SCREEN ASSEMBLY	1.00
- - - - PSV/99/379	BUG TRAP FRAME PART	1.00
- - - - PSV/99/380	BUG TRAP FRAME PART	2.00
- - - - PSV/99/381	BUG TRAP FRAME PART	1.00
- - - - PSV/99/382	BUG TRAP MESH	1.00
- - - PSV/99/383	ACTIVE BATTERY SEALING PART	1.00
- - - PSV/11/502	FAST LEAD SCREW - LARGE SIZE	4.00
- - - PSV/12/999	STAINLESS STEEL RECEPTABLE RIVET TYPE	4.00
- - - PSV/54/144	LARGE STAINLESS STEEL RETAINER	4.00
- - - PSV/56/582	RADIATOR BULB SEAL	2.20
- - PSV/99/384	RADIATOR PANEL REAR O/S	1.00
- PSV/54/095	HINGE PANEL STRIKER PLATE	1.00
- PSV/11/260	PROTEX EXTENDED STRIKER	3.00
- PSV/135/063	B9TL EU4 O/S FRONT HINGED PANEL	1.00
- - PSV/36/4627	B9TL EU4 BATTERY PANEL	1.00
- - PSV/99/385	BATTERY PANEL STRUT BRACKET	1.00
- - PSV/60/186	DOOR STRUT BRACKET	1.00
- - PSV/10/899	STAY - TELESCOPIC HEAVY DUTY	1.00
- - PSV/62/953	M6x30 CAD ENG.BOLT	1.00
- - PSV/67/720	M6x50 CAD ENG.BOLT	1.00
- - PSV/63/032	M6 SELF FINISH HEX NUT	2.00
- - PSV/60/161	M6 SELF FINISH NYLOC NUT	2.00
- - PSV/43/704	1/4in.FLAT STEEL WASHER	7.00
- - PSV/99/386	HINGE BAR SECTION - BATTERY DOOR	1.00
- - PSV/99/387	HINGE BAR SECTION - BATTERY DOOR	1.00
- PSV/11/142	SHEETMETAL BRACKET	7.00
- PSV/11/155	SIDE PANEL BRACKET	4.00
- PSV/11/696	PANEL ATTACHMENT BRACKET	14.00
- PSV/21/132	WHEELARCH PANEL BRACKET ASSEMBLY	4.00
- PSV/11/487	PANEL ATTACHMENT BRACKET - MILLED END	2.00
- PSV/57/453	REAR SERVICE DOOR KIT ISAM	1.00
PSV/64/753	1/2^I.D CLEAR PLASTIC TUBE	0.60

*NB: HINGED PANELS HAVE HEAVY DUTY STAYS (PSV/10/899) AND 2 PSV/12/307 SEALED LEVER LATCHES
 BLACK SIKA 260 (ADA-00027) IS USED ON PANELS WHICH HAVE STRENGTHENERS
 BETASEAL (ADA-00006) IS USED TO SEAL THE RADIATOR PANEL
 IF A PANEL IS REMOVED, BE SURE TO USE NEW M8x20 BOLTS (PSV/43/348) ON RE-ASSEMBLY
 IF REPLACING RADIATOR MESH, BE SURE TO USE GENUINE WRIGHTS PARTS FOR CORRECT AIR FLOW



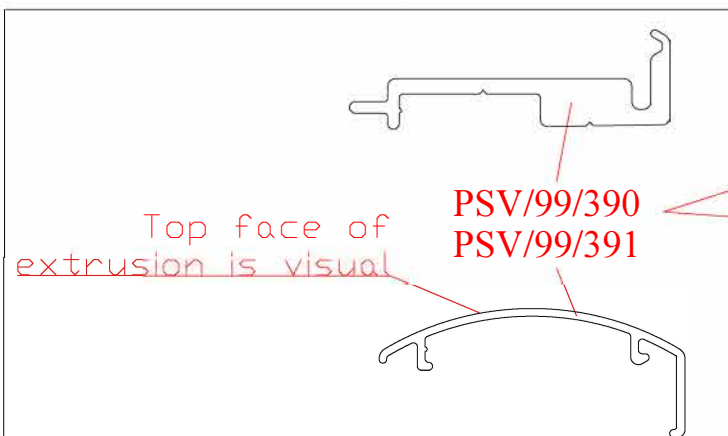
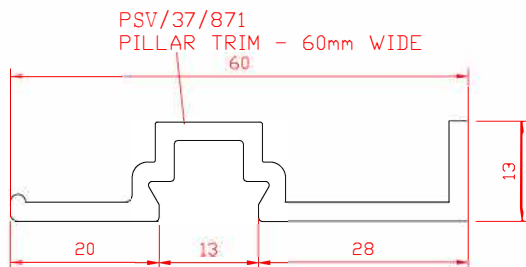
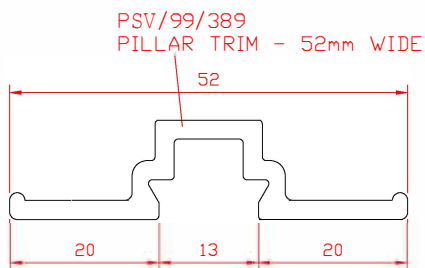
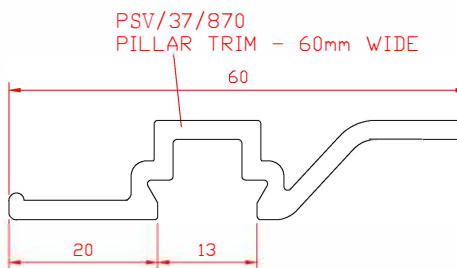
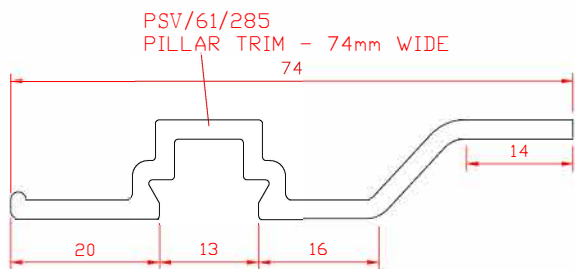
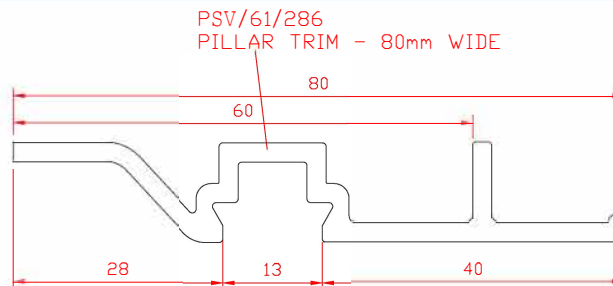
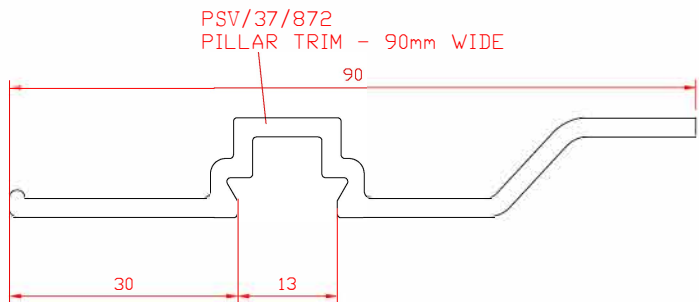
Index	Part No.	Description	Qty
1	PSV/54/096	CAPPING FOR HINGED PANEL	1
2	PSV/135/026	WHEEL ARCH PANEL ASSEMBLY	1
3	PSV/135/044	WHEEL ARCH PANEL ASSEMBLY	1
4	PSV/36/461	N/S SIDE PANEL	1
5	PSV/54/043	N/S SIDE PANEL	1
6	PSV/135/059	N/S SIDE PANEL	1
7	PSV/36/534	SIDE BODY PANEL	1
8	PSV/36/586	SIDE BODY PANEL	1
9	PSV/36/587	SIDE BODY PANEL	1
10	PSV/36/600	BODY PANEL WITH DOOR	1
11	PSV/13/362	D/S SIDE PANEL	1
12	PSV/36/629	DS FRONT W/ARCH SIDE PANEL	1
13	PSV/36/630	N/S FRONT WHEEL ARCH	1
14	PSV/99/371	N/S SIDE PANEL	1
15	PSV/99/372	SIDE BODY PANEL	1
16	PSV/36/680	SIDE BODY PANEL	1
17	PSV/13/363	W/A SIDE PANEL	1
18	PSV/36/682	RADIATOR PANEL REAR OFFSIDE	1
19	PSV/54/095	HINGE PANEL STRIKER PLATE	2
20	PSV/11/260	PROTEX EXTENDED STRIKER	2
21	PSV/135/063	B9TL EU4 D/S FRONT HINGED PANEL	1
22	PSV/11/142	SIDE ATTACHMENT BRACKET	7
23	PSV/11/155	SIDE PANEL BKT	4
24	PSV/11/696	SIDE PANEL ATT BRACKET	14
25	PSV/21/132	Panel Attachment Bracket Assembly	4
26	PSV/11/487	PANEL ATTACHMENT BRACKET - MILLED END	2
27	PSV/57/453	ISAM HINGED ACCESS PANEL	1



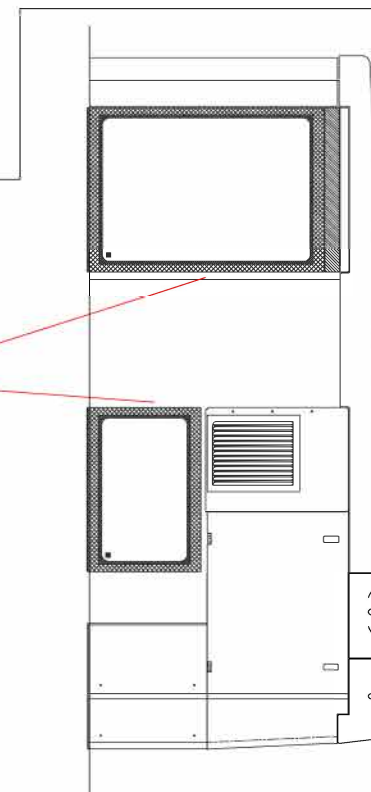
SHEETMETAL - BASIC ASSEMBLY

W12-00569 - SHK-00387

ALLOY
PILLAR TRIMS



These run the whole length of the bus.



W12-00683

SHEETMETAL - ENGINE DOORS (OIL MASTER)

Stock Number	Description	Quantity
PSV/54/079	B9TL E4 NS ENGINE DOOR ANGLE KEEPER	1.00
PSV/99/392	N/S LOW ENGINE DOOR MICRO-SWITCH BRACKET	2.00
PSV/99/393	REAR N/S CAPPING ABOVE ACCESS PANEL	1.00
PSV/11/260	PROTEX EXTENDED STRIKER	2.00
PSV/99/394	REAR O/S ENGINE GRILL PANEL	1.00
- PSV/99/395	ISAM INTAKE GRILL	1.00
- - PSV/99/396	LOUVRE PART	7.00
- - PSV/99/397	LOUVRE SUPPORT ANGLE	2.00
- - PSV/99/398	LOUVRE SUPPORT ANGLE	1.00
- - PSV/99/399	LOUVRE SUPPORT ANGLE	1.00
- PSV/99/400	"J" SPOUT PART	1.00
- PSV/99/401	REAR O/S ENGINE GRILL PANEL SKIN	1.00
- PSV/11/093	FUEL FILLER FLAP - LARGE	1.00
- - PSV/41/216	USE DEF-00051 LRGE.FLP.D	1.00
- - PSV/41/217	EPOXY COATING FOR DEF000	1.00
PSV/11/142	SHEETMETAL BRACKET	2.00
PSV/11/155	SIDE PANEL BRACKET	3.00
PSV/99/402	3mm ATTACHMENT BRACKET	1.00
PSV/99/403	3mm ATTACHMENT BRACKET	1.00
PSV/99/404	PANEL ATTACHMENT BRACKET ASSEMBLY	1.00
- PSV/99/405	PANEL ATTACHMENT BRACKET	1.00
- PSV/99/406	PANEL ATTACHMENT BRACKET	1.00
- PSV/60/160	M6x20 CAD ENG.BOLT	2.00
- PSV/60/161	M6 SELF FINISH NYLOC NUT	2.00
- PSV/99/407	M8 LARGE FLANGED HEXSERT - 09498 - 02826	1.00
- PSV/43/704	1/4in.FLAT STEEL WASHER	4.00
PSV/12/307	SEALED LEVER LATCH - C/W 'T' KEY LOCK	2.00
PSV/13/423	CHECK STRAP - STAPLE 2^	2.00
PSV/54/067	DOOR CHECKSTRAP 48mm x 115mm BLACK	1.00
PSV/44/757	RUBBER - BULBTITE SVF 20	3.50
PSV/99/408	N/S REAR DOOR SEAL PANEL	1.00
PSV/99/409	N/S REAR DOOR SEAL PANEL	1.00
PSV/99/410	N/S REAR DOOR SEAL PANEL	1.00
PSV/99/411	N/S REAR DOOR SEAL PANEL	1.00
PSV/99/412	RADIATOR SEALING PANEL	1.00
PSV/11/383	BULBTITE RUBBER SEAL	4.50
PSV/57/452	ISAM SHEETMETAL REAR N/S ENGINE DOOR	1.00
- PSV/99/413	ISAM SHEETMETAL REAR NS ENGINE DOOR SKIN	1.00
- PSV/99/414	N/S REAR DOOR FRAME ASSEMBLY	1.00
- - PSV/99/415	R N/S ENG DOOR FRAME PART	1.00
- - PSV/99/416	N/S REAR ENGINE DOOR FRAME PART	1.00
- - PSV/99/417	N/S REAR ENGINE DOOR FRAME PART	1.00
- - PSV/99/418	SERVICE DOOR FRAME GUSSET	2.00
- PSV/99/419	ISAM REAR N/S GRILL ASSEMBLY	1.00
- - PSV/54/148	B9TL RADIATOR DOOR LOUVRE	18.00
- - PSV/54/139	B9TL RADIATOR DOOR VERTICAL ANGLE	2.00
- - PSV/99/420	ISAM REAR N/S GRILL PART	1.00

W12-00683

SHEETMETAL - ENGINE DOORS (OIL MASTER)

Stock Number	Description	Quantity
- - PSV/99/421	ISAM REAR N/S GRILL PART	2.00
- - PSV/99/422	ISAM REAR N/S GRILL PART	1.00
- - PSV/99/423	RAD DOOR BUG SCREEN ASSEMBLY	1.00
- - - PSV/99/424	RAD DOOR BUG SCREEN SIDE	2.00
- - - PSV/99/425	RAD DOOR BUG SCREEN	2.00
- PSV/99/426	STAINLESS STEEL HINGE 55mm	2.00
- PSV/12/307	SEALED LEVER LATCH - C/W 'T' KEY LOCK	2.00
PSV/57/462	N/S SHEET METAL DOOR	1.00
- PSV/36/683	N/S SHEET METAL DOOR ASSY	1.00
- - PSV/99/428	SIDE SHEETMETAL PANEL	1.00
- - PSV/99/429	ISAM N/S REAR SERVICE DOOR HINGE TOP	1.00
- - PSV/99/430	ISAM N/S REAR SERVICE DOOR HINGE BOTTOM	1.00
- PSV/99/432	ACCESS PANELS FRAME ASSEMBLY	1.00
- - PSV/99/432	HINGE BRACKET REAR ACCESS BODY PANEL	1.00
- - PSV/99/433	PANEL FRAME PART	1.00
- - PSV/99/434	PANEL FRAME PART	2.00
- PSV/60/186	DOOR STRUT BRACKET	1.00
- PSV/12/307	SEALED LEVER LATCH - C/W 'T' KEY LOCK	2.00
- PSV/10/899	STAY - TELESCOPIC HEAVY DUTY	1.00
- PSV/62/953	M6x30 CAD ENG.BOLT	2.00
- PSV/63/032	M6 SELF FINISH HEX NUT	2.00
- PSV/60/161	M6 SELF FINISH NYLOC NUT	2.00
- PSV/43/704	1/4in.FLAT STEEL WASHER	8.00

W12-00725

S/METAL EXTERIOR CAPPINGS ASM - BRLH L/H

Stock Number	Description	Quantity
PSV/99/436	ENTRANCE DOOR EXTERIOR CAPPING KIT	1.00
- PSV/51/133	TRIM INFILL DRILLED AUE-00086 @ 2025MM	1.00
- PSV/99/437	2025mm x ALM-00563 - NO PACKER	1.00
PSV/99/438	LOW HEIGHT DECKER EMERGENCY DOOR CAPPING	1.00
PSV/99/439	BRLH LOW HEIGHT WINDOW CAPPING KIT L/D	1.00
PSV/99/440	EXTERIOR BOT HORIZONTAL CAPPING - 1200mm	5.00
- PSV/99/441	CAPPING PART	1.00
- PSV/99/442	EXT CAPPING, TOP HORIZONTAL LOW HEIGHT	5.00
-PSV/99/446	EXT CAPPING, I PILLAR L/D LOW HEIGHT	7.00
- PSV/99/467	N/S 'I' EXT DOOR CAPPING L/D, LOW HEIGHT	1.00
- PSV/99/447	EXT BOTTOM HORIZONTAL CAPPING - 700mm	5.00
- PSV/99/448	EXTERIOR WINDOW CAPPING 700MM	5.00
- PSV/99/449	EMG DOOR EXT PILLAR CAPPING - LOW HEIGHT	1.00
- PSV/99/450	EMG DOOR EXT PILLAR CAPPING - LOW HEIGHT	1.00
- PSV/99/451	EXTERIOR PILLAR CAPPING - LOW HEIGHT	1.00
PSV/99/452	EXTERIOR PILLAR CAPPING - LOW HEIGHT	2.00
PSV/99/453	BRLH LOW HEIGHT WINDOW CAPPING KIT U/D	1.00
- PSV/99/454	EXTERIOR TOP HORIZONTAL CAPPING - 1200mm	8.00
- PSV/99/440	EXTERIOR BOT HORIZONTAL CAPPING - 1200mm	8.00
- PSV/99/455	EXT U/D "I" PILLAR CAPPING - BRLH L/H	14.00
- PSV/99/456	UPPER DECK N/S REAR EXT CAPPING BRLH L/H	1.00
- PSV/99/457	UPPER DECK O/S REAR EXT CAPPING BRLH L/H	1.00
- PSV/99/458	EXTERIOR TOP HORIZONTAL CAPPING - 700MM	8.00
- PSV/99/447	EXT BOTTOM HORIZONTAL CAPPING - 700mm	8.00

W12-00726

BRLH EXTERIOR ADVERT FRAMES - RAL 5020

Stock Number	Description	Quantity
PSV/99/459	ARRIVA N/S ADVERT FRAME - RAL 5020	1.00
PSV/99/460	ARRIVA O/S ADVERT FRAME - RAL 5020	1.00
PSV/99/461	ARRIVA REAR ADVERT FRAME - RAL 5020	1.00

W12-00737

BRLH - FUEL FILL PANEL WITH FLAP

Stock Number	Description	Quantity
PSV/99/462	BRLH FUEL PANEL WITH FLAP CUTOUT	1.00
PSV/62/276	ADH SIKA 205 CLEAN 1 LITRE	0.10
PSV/99/363	BETACLEAN 3350 1 LITRE TIN	0.05
PSV/62/281	SIKA 552 WHITE 600ML SAUSAGE	1.00
PSV/99/364	DOW PRIMER 1707	0.25
PSV/99/365	BETASEAL 1407 600ML SAUSAGE	0.50
PSV/99/365	FUEL FILLER COWL - BEHIND FLAP	1.00
- PSV/64/371	STD FUEL COWL DRAIN PIPE	1.00
- PSV/99/463	FUEL FILLER COWL - BASE PIECE	1.00
- PSV/99/464	FUEL FILLER COWL - SIDE PIECE	1.00
- PSV/99/465	FUEL FILLER COWL - SIDE PIECE	1.00
PSV/11/093	FUEL FILLER FLAP - LARGE	1.00
- PSV/41/216	USE DEF-00051 LRGE.FLP.D	1.00
- PSV/41/217	EPOXY COATING FOR DEF000	1.00
PSV/42/334	SPLIT CONDUIT SV44B A/MARINE	0.02
PSV/99/466	FUEL COWL FINISHING PLATE	1.00
PSV/56/585	RUBBER BUNG DOOR STOP	2.00