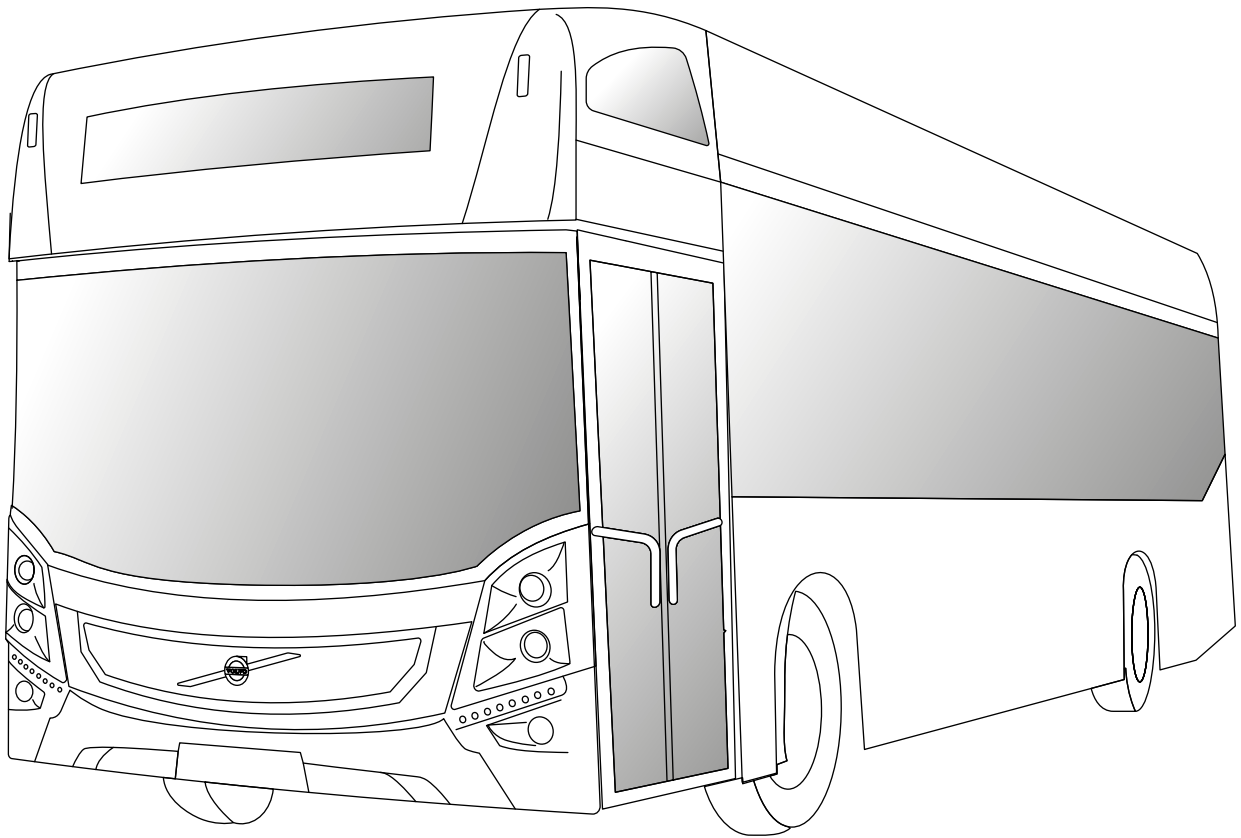
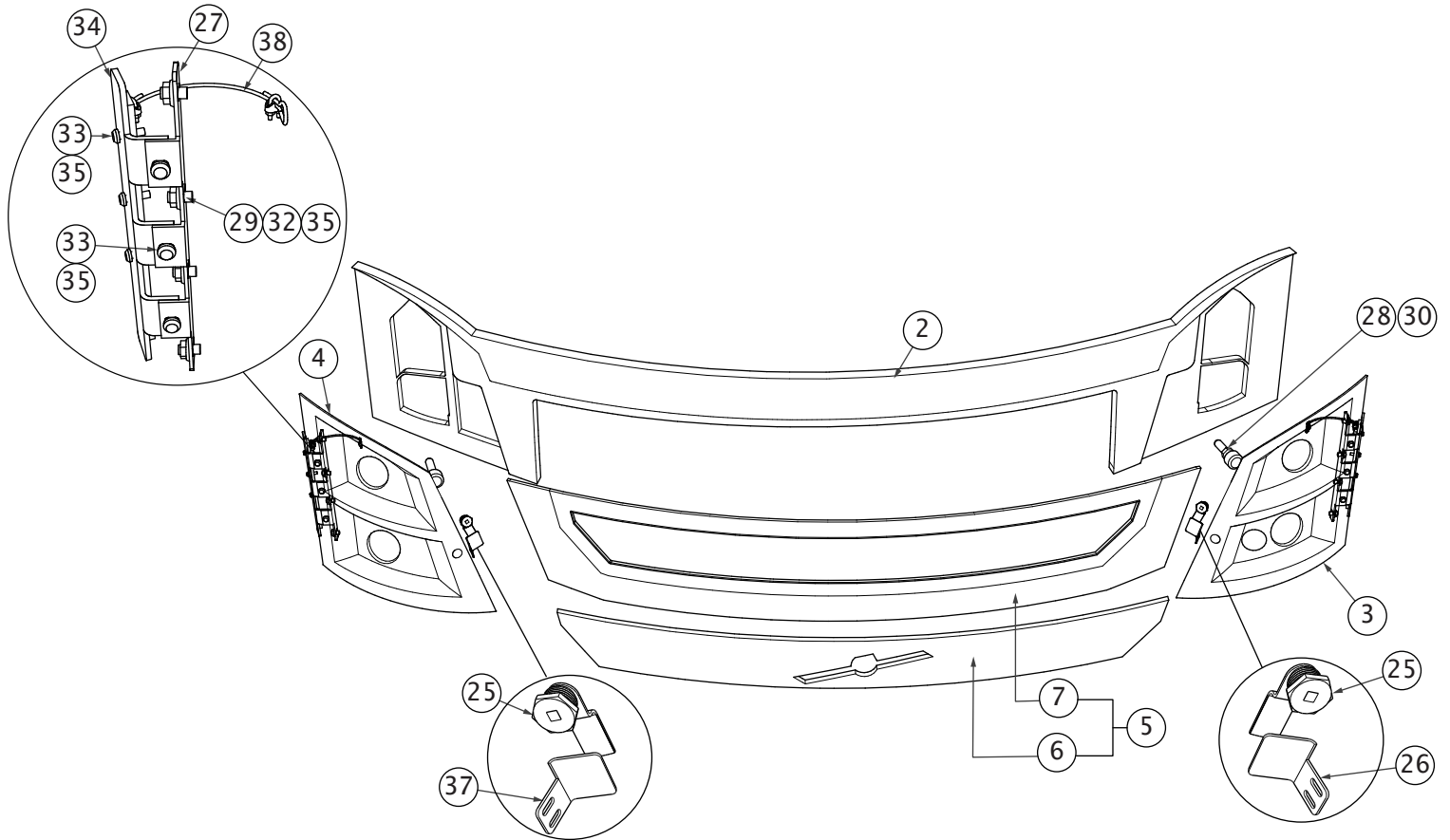
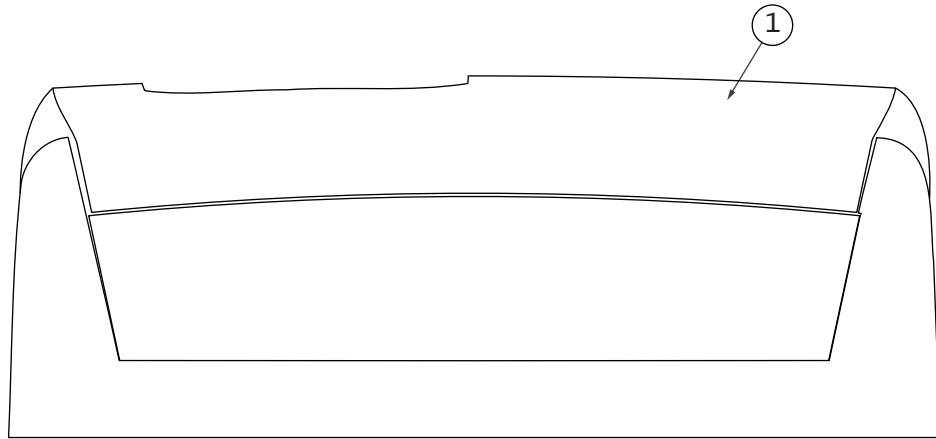




Manufacturing Commercial Vehicles  
After Sales Sector  
Body Technical Support Department



MCV C103 EV BPC  
v8-stage Scotland



NO	P/N	Description	Qty.	Unit
1	PSV/16/879	UPPER MAIN GRP [AUX.SH] {S.P.}	1	PCS
2	PSV/16/880	GRP - LOWER PART	1	PCS
3	PSV/16/881	GRP - LHS HEAD LIGHT COVER	1	PCS
4	PSV/16/882	GRP - RHS HEAD LIGHT COVER	1	PCS
5	PSV/16/883	FRONT MIDDLE ASSY. [GRP FLAP] [AUX.GRP]	1	PCS
6	PSV/16/884	GRP - FRONT MIDDLE	1	PCS
7	PSV/16/885	GRP - FLAP COVER ASSY.	1	PCS
25	PSV/16/871	Cam Latch - SOUTHCO (E5-1-085-151)	2	PCS
26	PSV/16/886	FRONT END GRP FIX - LOCK ANGLE	1	PCS
27	PSV/16/887	(ELC) RAL9005 - ANGLE	2	PCS
28	PSV/57/678	Hex.Nut DIN934 - 8 - Z.P. M8	4	PCS
29	PSV/16/888	Plain Washer DIN125-1A 200HV - St.Z.P.M6	28	PCS
30	PSV/16/889	RUBBER PLUG LIMIT	4	PCS
32	PSV/16/890	Hex.Nut DIN934 - 8 - Z.P. M6	12	PCS
33	PSV/16/891	Hex.Socket Buttn ISO7380-10.9-Z.P. M6X16	12	PCS
34	PSV/16/892	(ELC) RAL 9005 - ANGLE ASSY.	2	PCS
35	PSV/16/893	Spring Washer DIN127B - St.Z.P. M6	22	PCS
37	PSV/16/894	FRONT END GRP FIX - LOCK ANGLE	1	PCS
38	PSV/16/895	BELT [AUX.FN]	1	PCS



Manufacturing Commercial Vehicles  
After Sales Sector  
Body Technical Support Department

Body Parts Catalog (BPC)

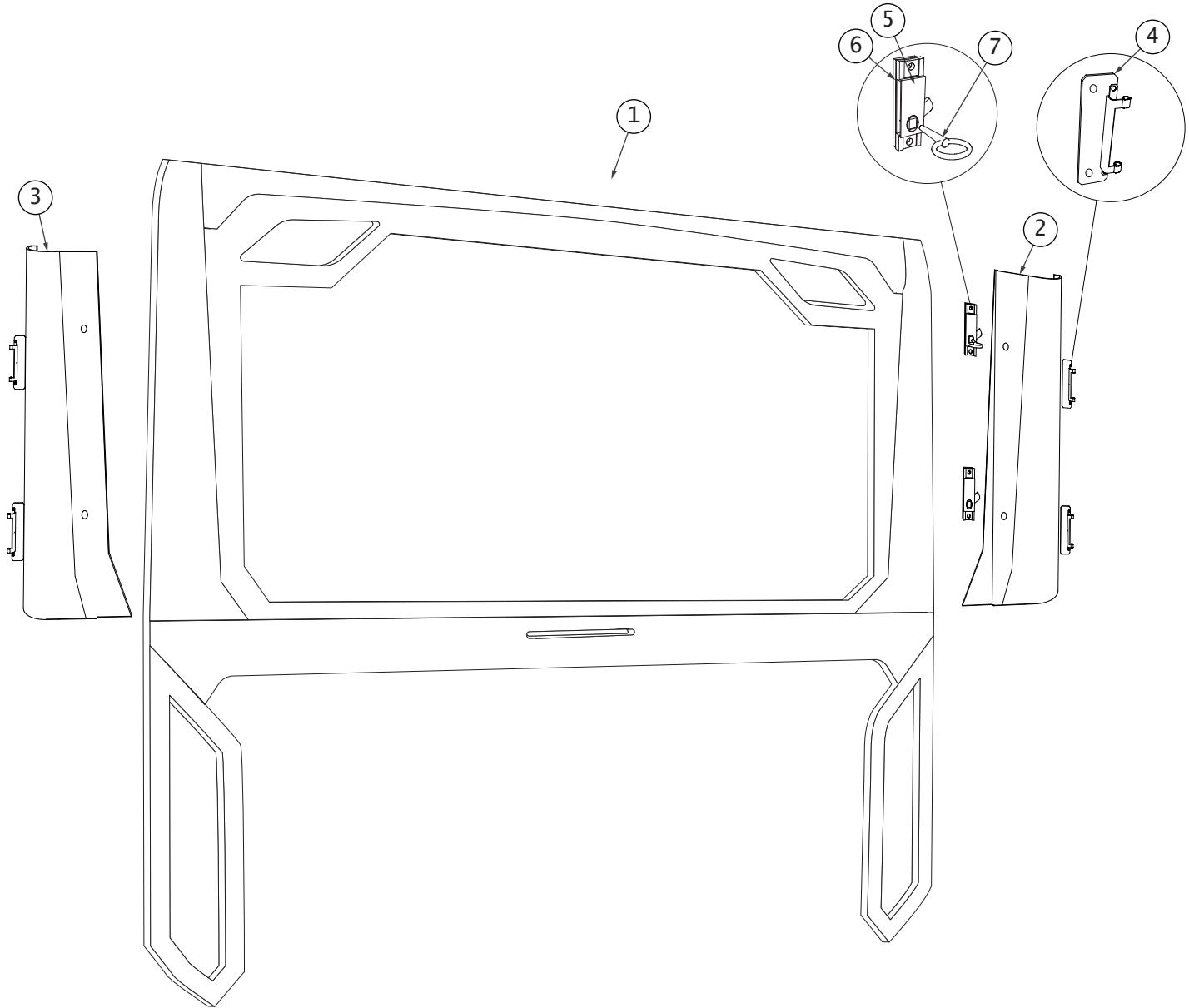
Group : 64 - Rear Panel

Model : C103 EV

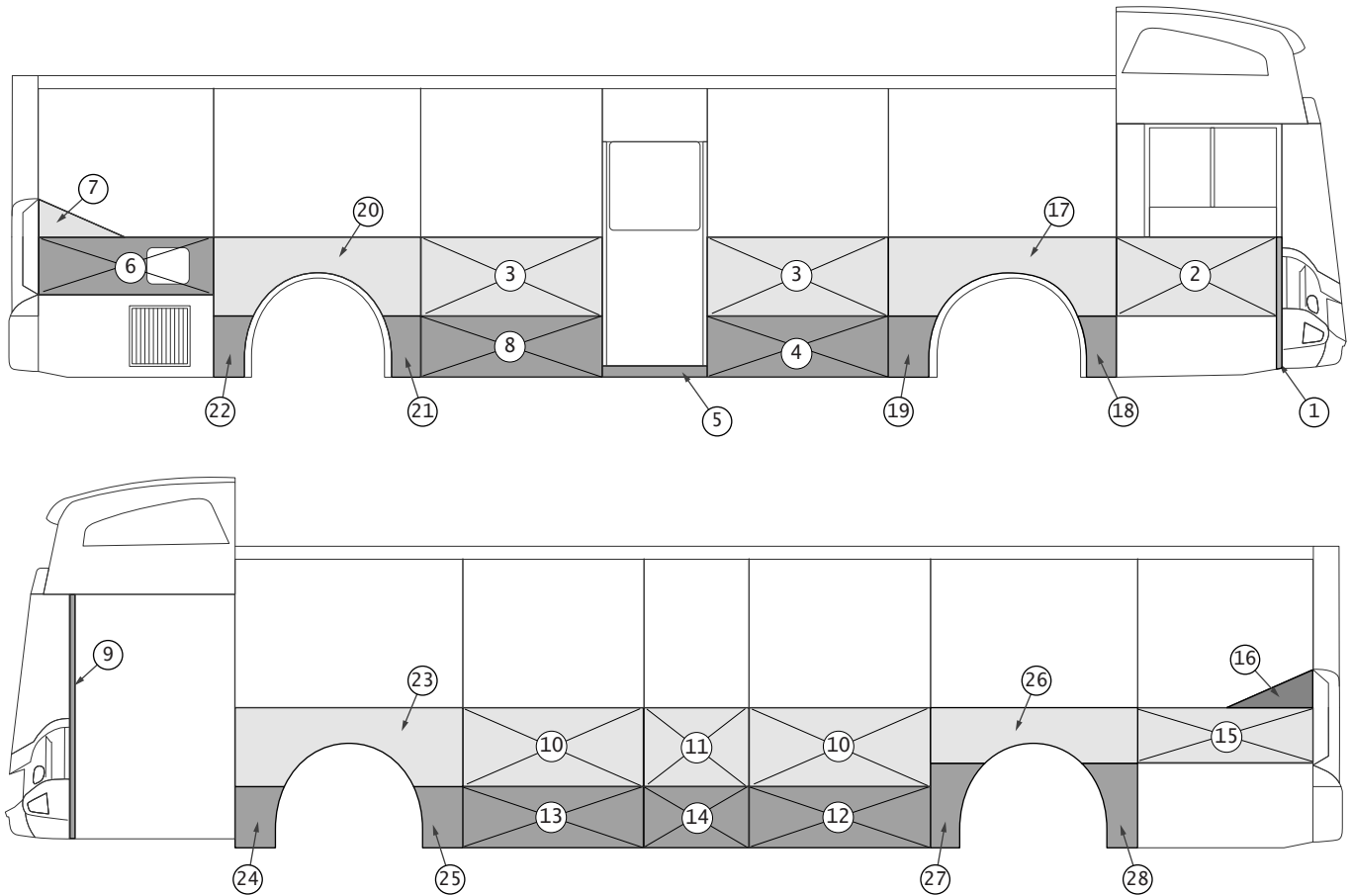
Sub : Rear Panel

Version :

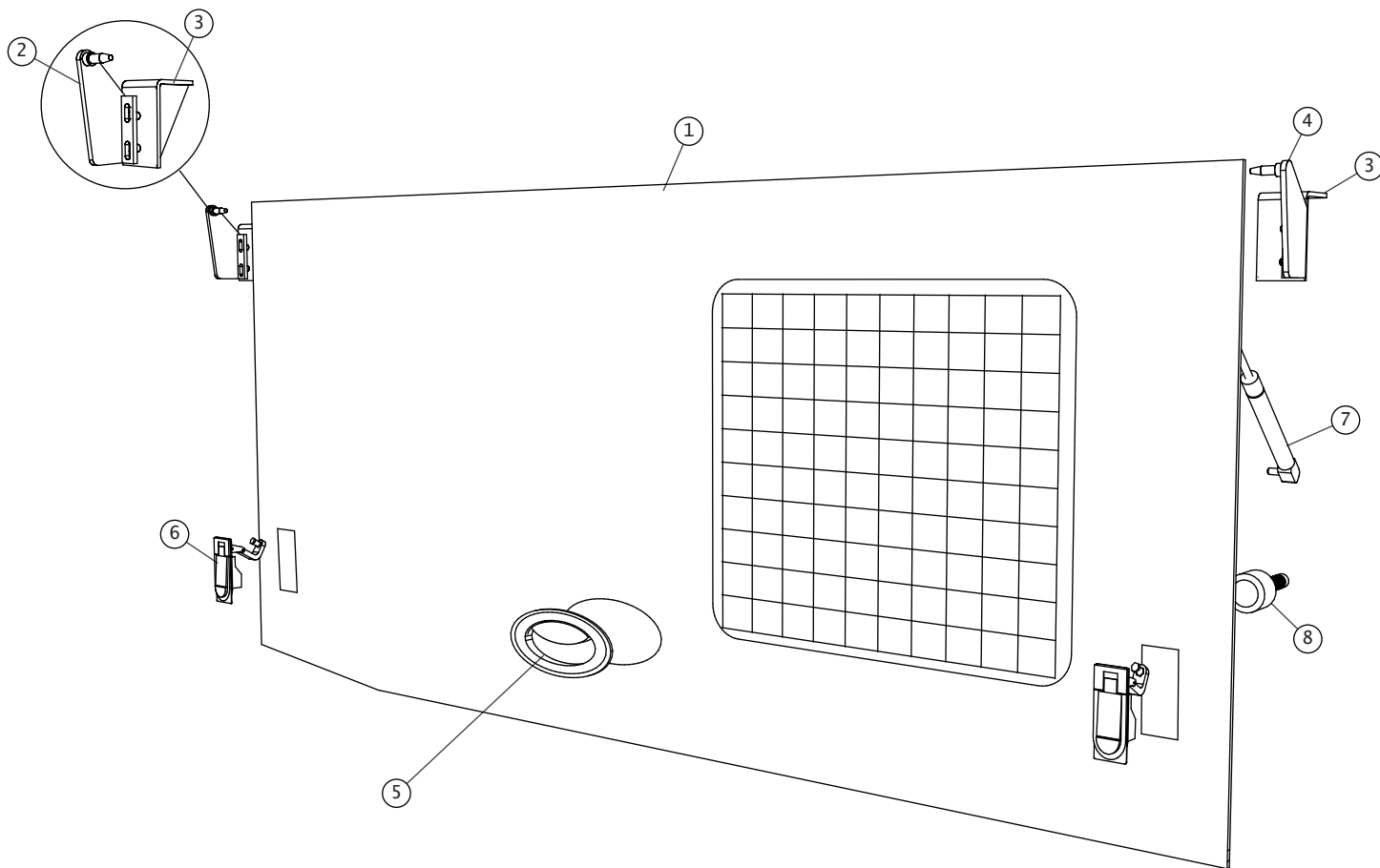
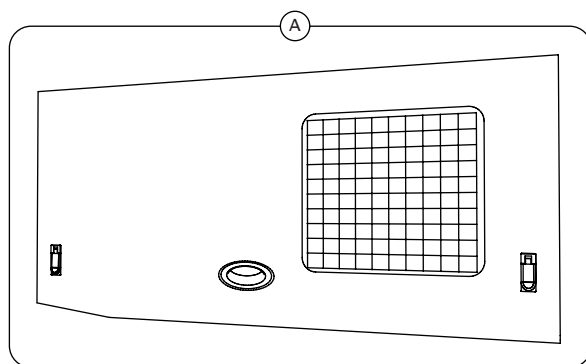
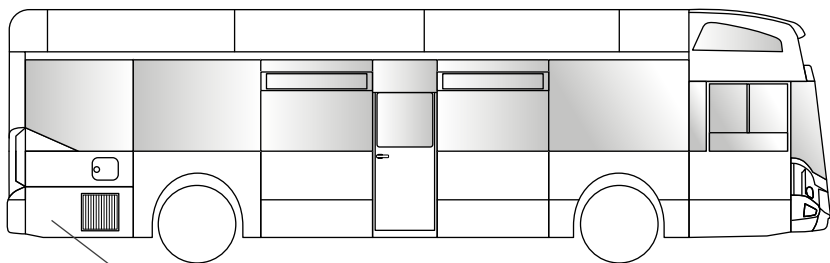
Page No:



NO	P/N	Description	Qty.	Unit
1	PSV/16/896	GRP - REAR END {S.P.}	1	PCS
2	PSV/16/897	GRP-REAR END GRP FLAP [AUX.GRP] {S.P.}	1	PCS
3	PSV/16/898	GRP-REAR END GRP FLAP [AUX.GRP] {S.P.}	1	PCS
4	PSV/16/899	HINGE ASSY. [AUX.SH]	4	PCS
5	PSV/16/900	Both Hands Budget LO P/N#R040410	4	PCS
6	PSV/16/901	REAR END FIXATION - PLATE	4	PCS
7	PSV/16/902	(G) FLAPS LATCH SQUARE KEY - REWORK	1	PCS



NO	P/N	Description	Qty.	Unit
1	PSV/16/903	GRP - PANEL {S.P.}	1	PCS
2	PSV/16/904	AL. PANEL 1519.5X550X2mm {S.P.}	1	PCS
3	PSV/16/905	EXTERIOR PANELING R.H.S. - AL. PANEL {S.P.}	2	PCS
4	PSV/16/906	PANEL ASSY. {S.P.}	1	PCS
5	PSV/16/907	EXTERIOR PANELING R.H.S. {S.P.}	1	PCS
6	PSV/16/908	EXTERIOR PANELING R.H.S. - AL. PANEL {S.P.}	1	PCS
7	PSV/16/909	EXTERIOR PANELING R.H.S. - AL. PANEL {S.P.}	1	PCS
8	PSV/16/910	REAR PANEL ASSY. {S.P.}	1	PCS
9	PSV/16/911	EXTERIOR PANEL - LHS{S.P.}	1	PCS
10	PSV/16/912	EXTERIOR PANELING L.H.S. - AL. PANEL {S.P.}	2	PCS
11	PSV/16/913	EXTERIOR PANELING L.H.S. - AL. PANEL {S.P.}	1	PCS
12	PSV/16/914	PANEL ASSY{S.P.}	1	PCS
13	PSV/16/915	FRONT PANEL ASSY {S.P.}	1	PCS
14	PSV/16/916	EXTERIOR PANELING L.H.S. - AL. PANEL {S.P.}	1	PCS
15	PSV/16/917	AL. PANEL 1422X436X2mm {S.P.}	1	PCS
16	PSV/16/909	EXTERIOR PANELING R.H.S. - AL. PANEL {S.P.}	1	PCS
17	PSV/16/918	GRP - FRONT RIGHT WHEELARCH {S.P.}	1	PCS
18	PSV/16/919	GRP - FRONT RIGHT SKIRT WHEELARCH {S.P.}	1	PCS
19	PSV/16/920	GRP- FRONT RIGHT SKIRT WHEELARCH {S.P.}	1	PCS
20	PSV/16/921	GRP - REAR RIGHT WHEELARCH {S.P.}	1	PCS
21	PSV/16/922	GRP - REAR RIGHT SKIRT WHEELARCH {S.P.}	1	PCS
22	PSV/16/923	GRP - REAR RIGHT SKIRT WHEELARCH {S.P.}	1	PCS
23	PSV/16/924	GRP - FRONT LEFT WHEELARCH {S.P.}	1	PCS
24	PSV/16/925	GRP - FRONT LEFT SKIRT WHEELARCH {S.P.}	1	PCS
25	PSV/16/926	GRP - FRONT LEFT SKIRT WHEELARCH {S.P.}	1	PCS
26	PSV/16/927	GRP - REAR LEFT WHEELARCH {S.P.}	1	PCS
27	PSV/16/928	GRP - REAR LEFT SKIRT WHEELARCH {S.P.}	1	PCS
28	PSV/16/929	GRP - REAR LEFT SKIRT WHEELARCH {S.P.}	1	PCS



NO	P/N	Description	Qty.	Unit
A	PSV/16/930	Radiator Flap Assy.{S.P.}	1	PCS
1	PSV/16/931	Radiator Panned Flap [AUX SH] {S.P.}	1	PCS
2	PSV/16/932	Battery Flap Assy. - R.H.Side Hing Assy.	1	PCS
3	PSV/16/933	BRACKET ASSEMBLY [AUX.FR]	2	PCS
4	PSV/16/934	Battery Flap Assy. - L.H.Side Hing Assy.	1	PCS
5	PSV/16/935	Handle	1	PCS
6	PSV/57/026	RAISED LATCH LOCK	2	PCS
7	PSV/16/875	Gas Spring 200N	2	PCS
8	PSV/16/936	Rubber Plug D.25X19 S.St.Lg.70mm.	2	PCS



Manufacturing Commercial Vehicles  
After Sales Sector  
Body Technical Support Department

Body Parts Catalog (BPC)

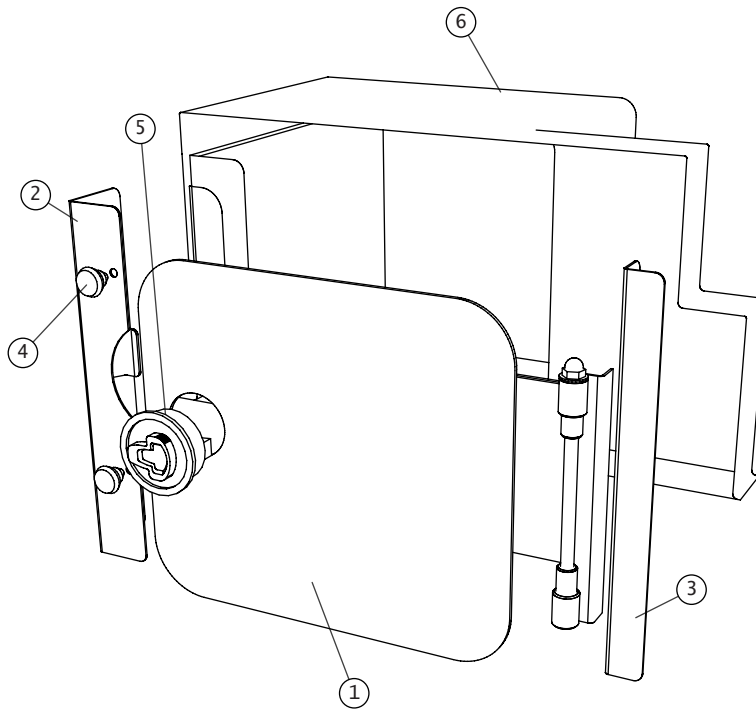
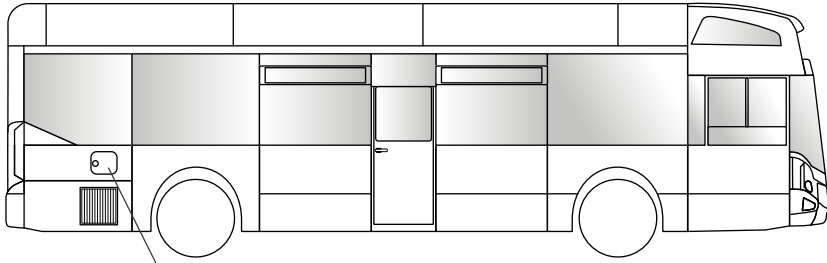
Model : C103 EV

Version :

Group : 75 - Flaps

Sub : Charging Socket Flap

Page No:



NO	P/N	Description	Qty.	Unit
1	PSV/16/937	Flap Assembly [AUX.SH] {S.P.}	1	PCS
2	PSV/16/938	Angle Assembly [AUX.FR] {S.P.}	1	PCS
3	PSV/16/939	CHARGING SOCKET FIX-Flap Support Angle {S.P.}	1	PCS
4	PSV/16/876	FLUSH-PULL LATCH	1	PCS
5	PSV/16/940	CHARGING SOCKET FIXAT. - RUBBER STOPPER	2	PCS
6	PSV/16/941	Charging Socket Frame [AUX.GRP]	1	PCS



Manufacturing Commercial Vehicles  
After Sales Sector  
Body Technical Support Department

Body Parts Catalog (BPC)

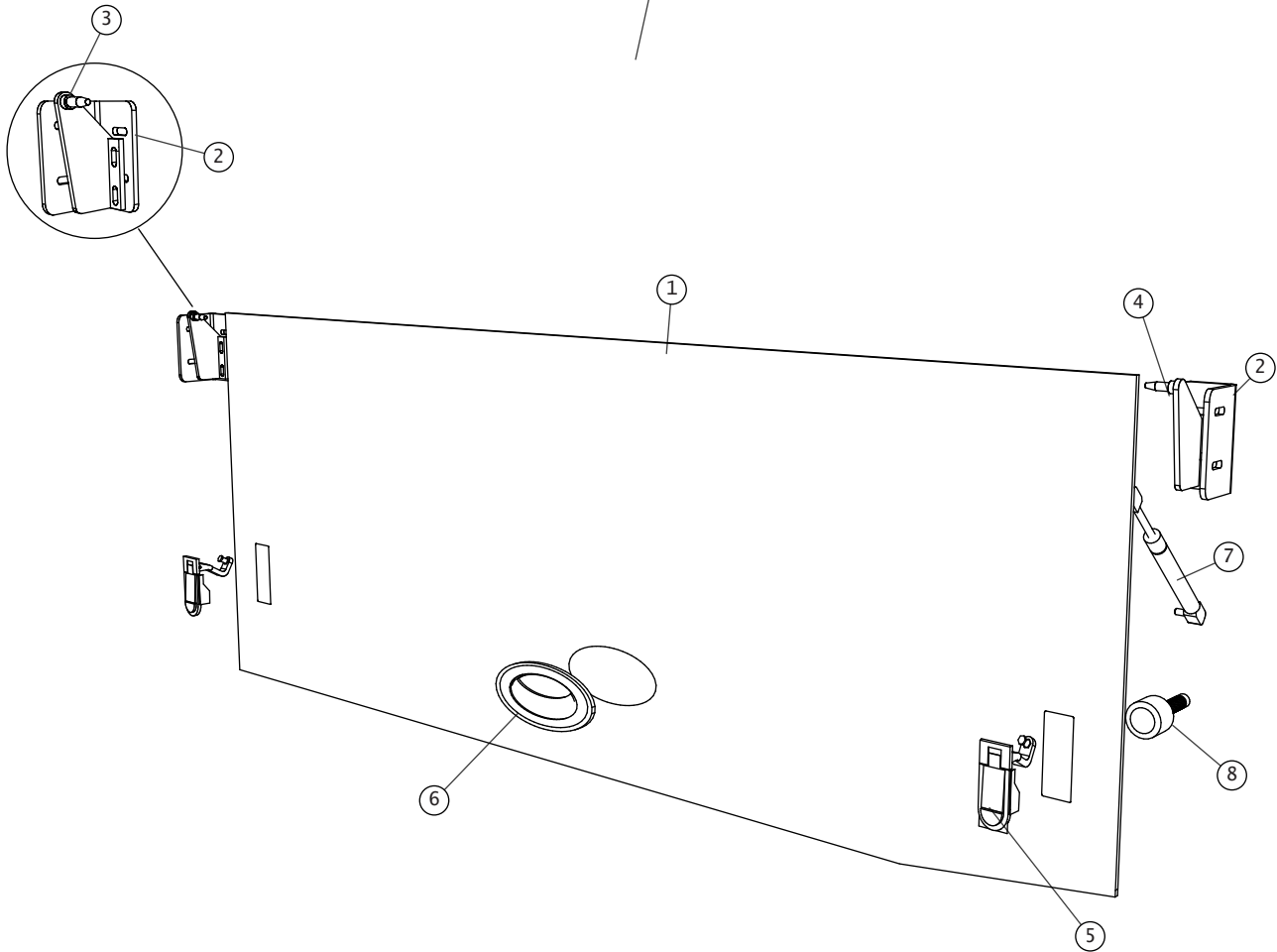
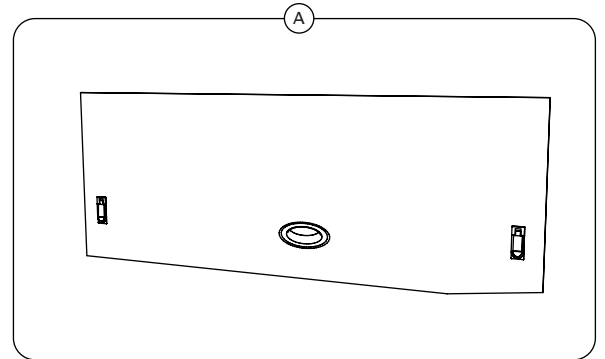
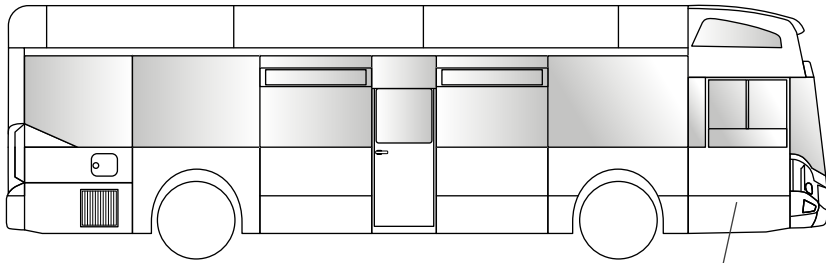
Model : C103 EV

Version :

Group : 75 - Flaps

Sub : Battery Flap

Page No:



NO	P/N	Description	Qty.	Unit
A	PSV/16/942	Battery Flap Assy.{S.P.}	1	PCS
1	PSV/16/943	PANELED FLAP [AUX.SH] {S.P.}	1	PCS
2	PSV/16/944	BATTERY FLAP FIXATION - ANGLE	2	PCS
3	PSV/16/934	Battery Flap Assy. - L.H.Side Hing Assy.	1	PCS
4	PSV/16/932	Battery Flap Assy. - R.H.Side Hing Assy.	1	PCS
5	PSV/57/026	RAISED LATCH LOCK C2-32-145-3 Southco	2	PCS
6	PSV/16/935	Handle	1	PCS
7	PSV/16/945	GAS SPRING 600N	1	PCS
8	PSV/56/942	R.Plug Limiter(M8 Lg.60mm Full Thread)	2	PCS



Manufacturing Commercial Vehicles  
After Sales Sector  
Body Technical Support Department

Body Parts Catalog (BPC)

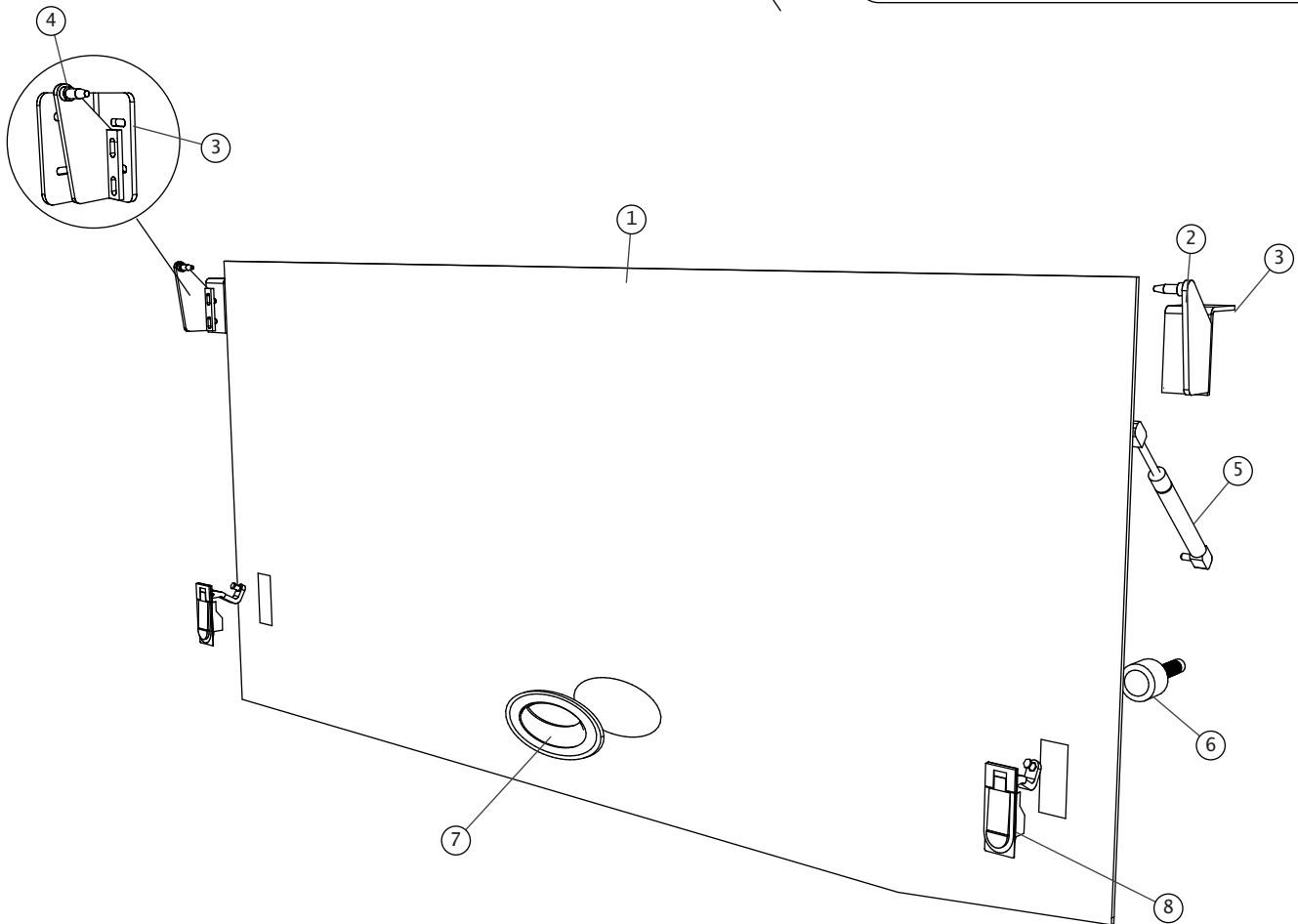
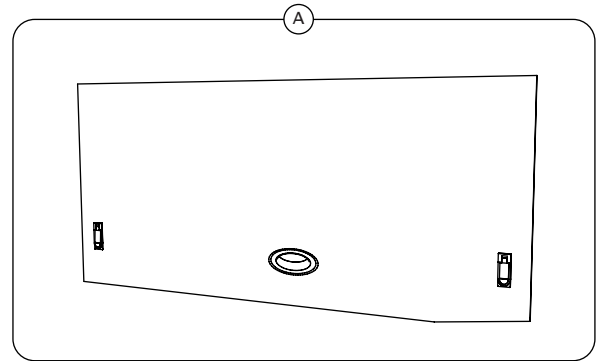
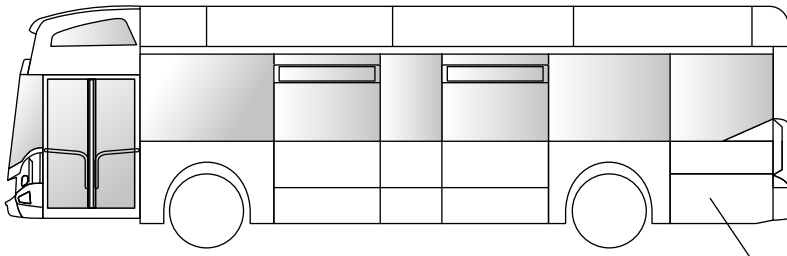
Model : C103 EV

Version :

Group : 75 - Flaps

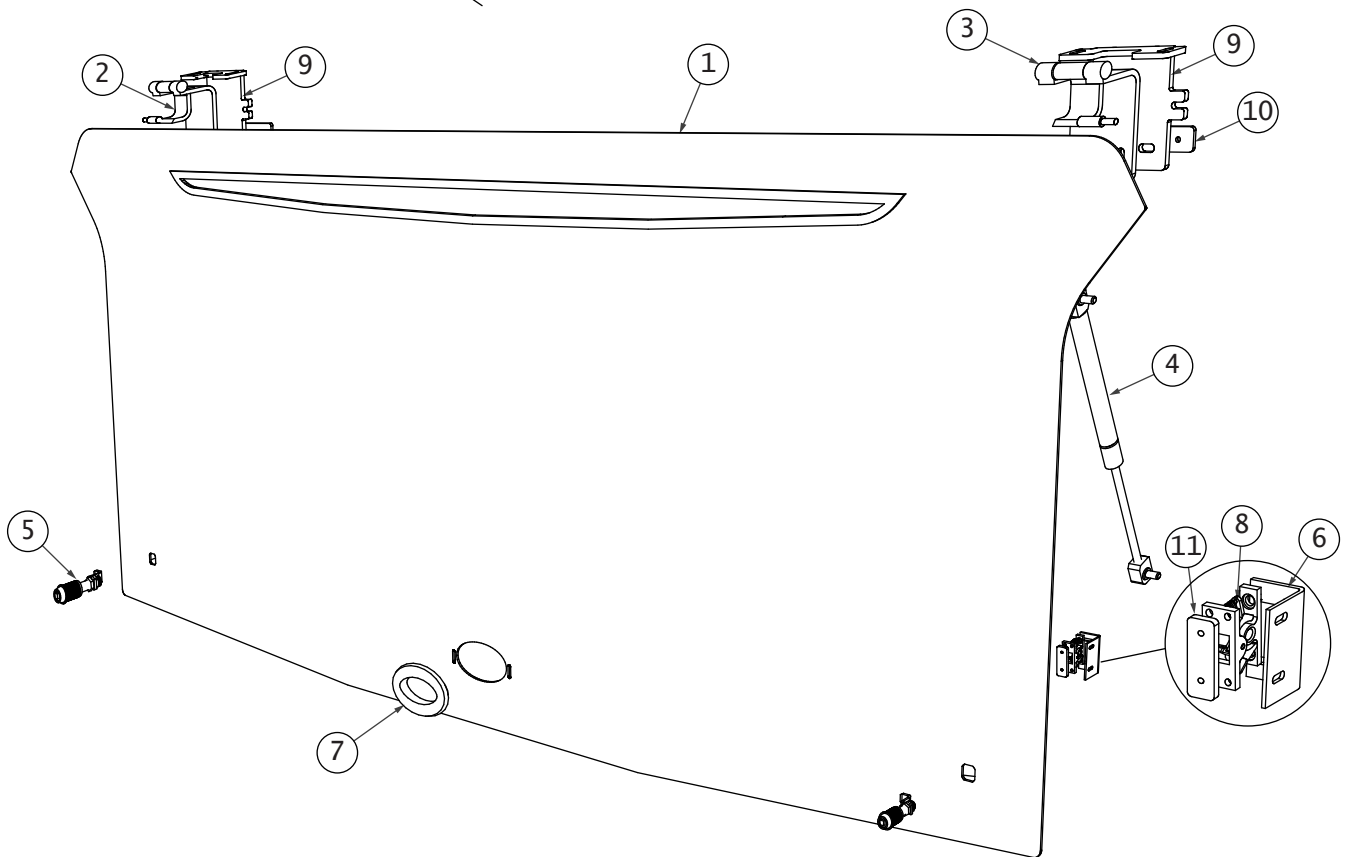
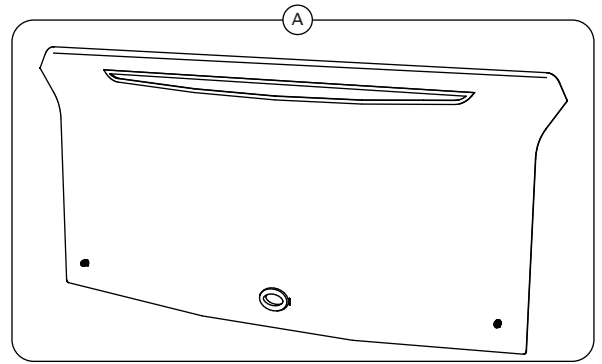
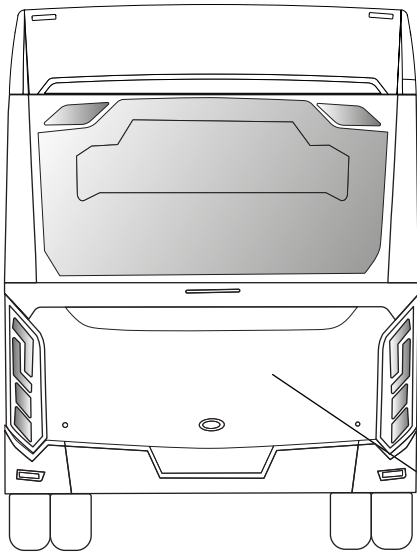
Sub : Rear LHS Flap

Page No:

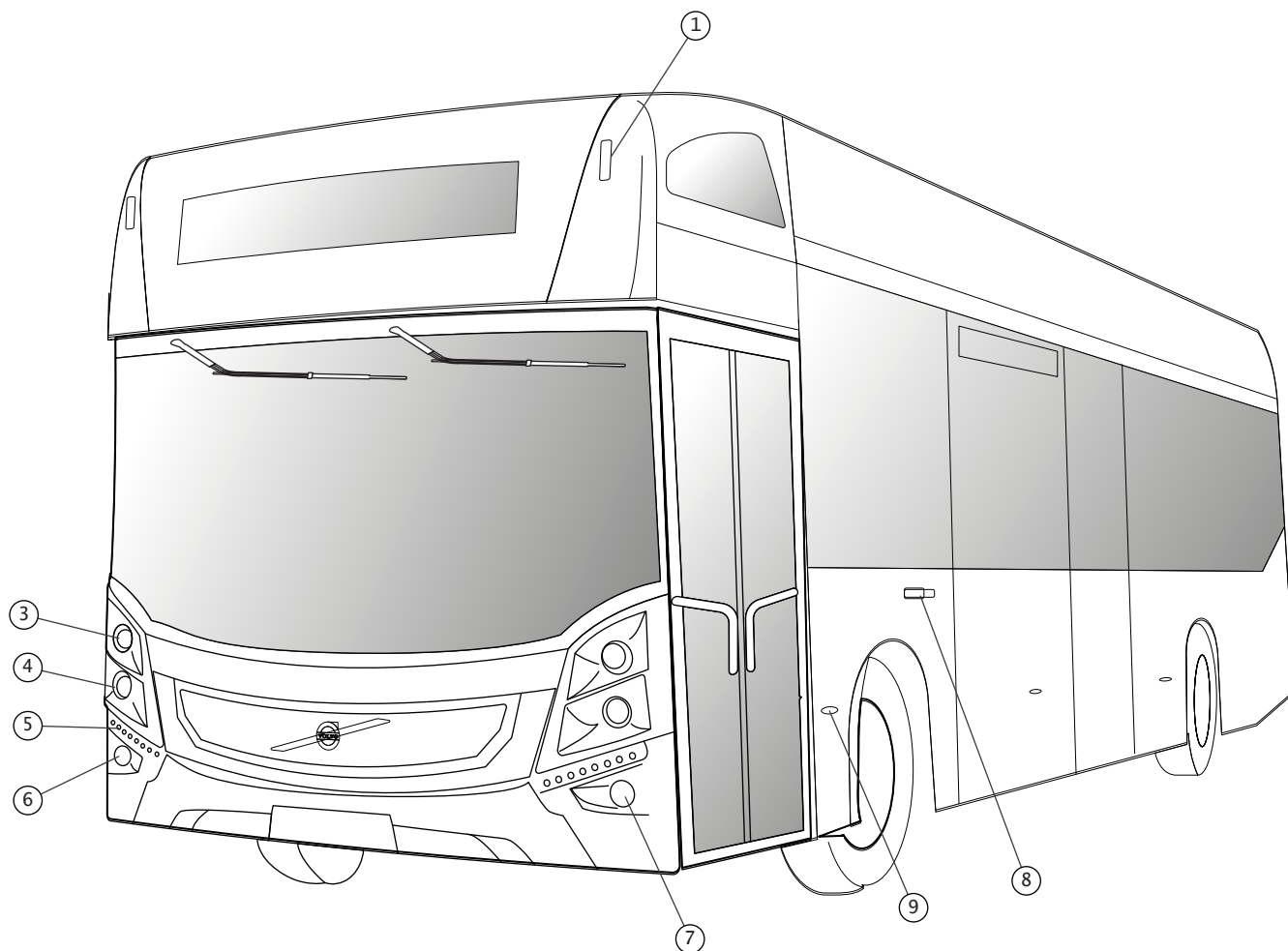


NO	P/N	Description	Qty.	Unit
A	PSV/16/946	Rear LHS Flap Assy. {S.P.}	1	PCS
1	PSV/16/947	FLAP FRAME [AUX SH] {S.P.}	1	PCS
2	PSV/16/932	Battery Flap Assy. - R.H.Side Hing Assy.	1	PCS
3	PSV/16/933	BRACKET ASSEMBLY [AUX.FR]	2	PCS
4	PSV/16/934	Battery Flap Assy. - L.H.Side Hing Assy.	1	PCS
5	PSV/16/875	Gas Spring 200N	2	PCS
6	PSV/16/936	Rubber Plug D.25X19 S.St.Lg.70mm.	2	PCS
7	PSV/16/935	Handle	1	PCS
8	PSV/57/026	RAISED LATCH LOCK	2	PCS





NO	P/N	Description	Qty.	Unit
A	PSV/16/948	REAR END Flap Assy.{S.P.}	1	PCS
1	PSV/16/949	REAR END paneled flap{S.P.}	1	PCS
2	PSV/16/950	LHS HINGE ASSY [AUX.SH]	1	PCS
3	PSV/16/951	RHS HINGE ASSY [AUX.SH]	1	PCS
4	PSV/16/952	GAS SPRING 250N	2	PCS
5	PSV/16/870	Latch(8mm squ. recess)	2	PCS
6	PSV/16/953	ANGLE	2	PCS
7	PSV/16/935	Handle	1	PCS
8	PSV/12/051	DOOR RETAINER	2	PCS
9	PSV/16/954	HINGE BRACKET	2	PCS
10	PSV/16/955	REAR END FLAP - THREADED PLATE	2	PCS
11	PSV/16/956	(GLV) REAR END FLAP FRAME - THREADED PLA	2	PCS



NO	P/N	Description	Qty.	Unit
1	PSV/16/856	F. Marker LED-24V	2	PCS
3	PSV/07/603	High beam w/D. indicator	2	PCS
4	PSV/16/857	Low beam No.	2	PCS
5	PSV/07/797	8 DRL/position L.	1	SET
6	PSV/60/442	lamp-R.	1	PCS
7	PSV/60/441	lamp L.	1	PCS
8	PSV/07/456	side Indicator LED	2	PCS
9	PSV/07/001	side Marker LED	8	PCS



Manufacturing Commercial Vehicles  
After Sales Sector  
Body Technical Support Department

Body Parts Catalog (BPC)

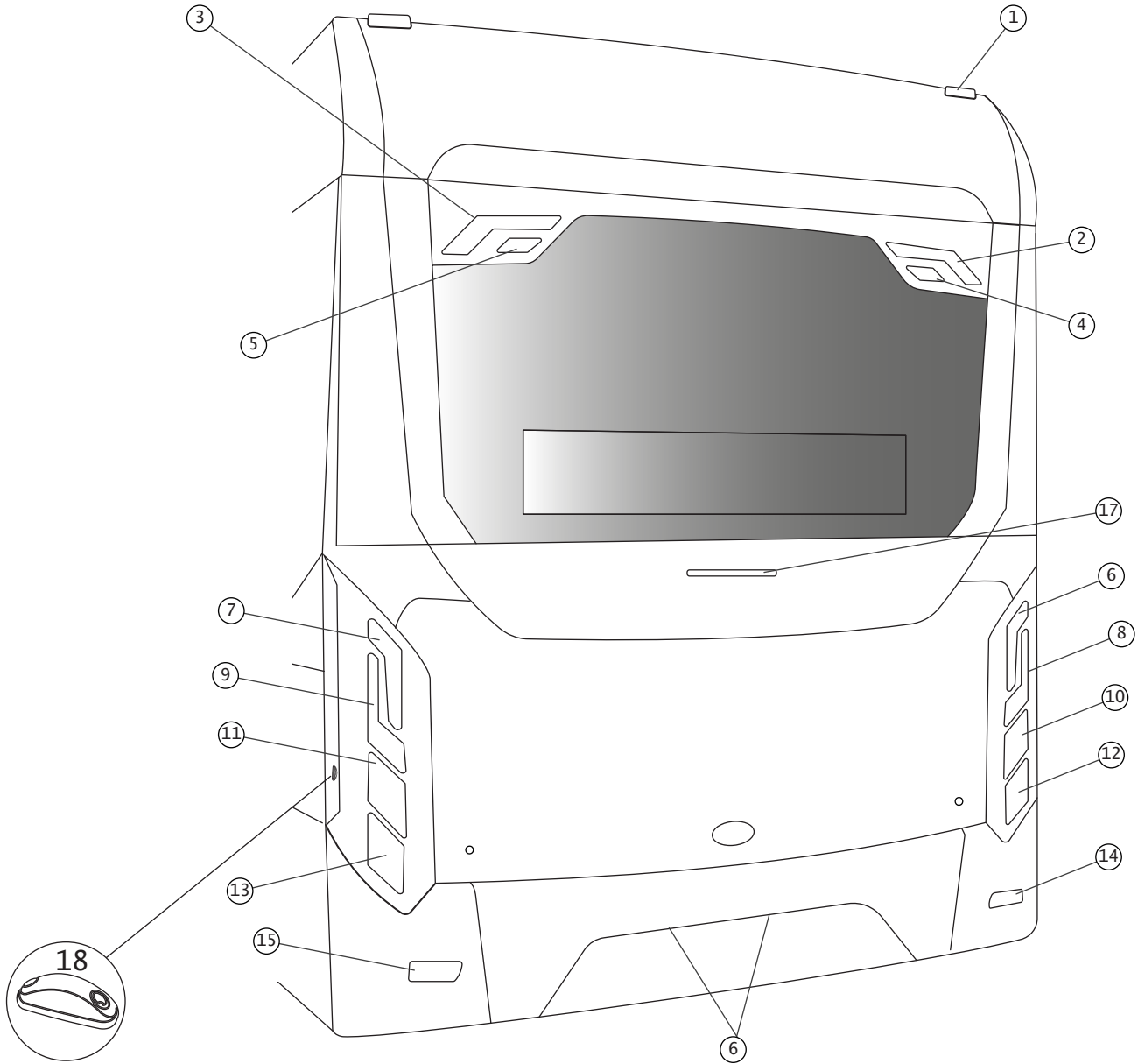
Group : 82 - Electrical

Model : C103 EV

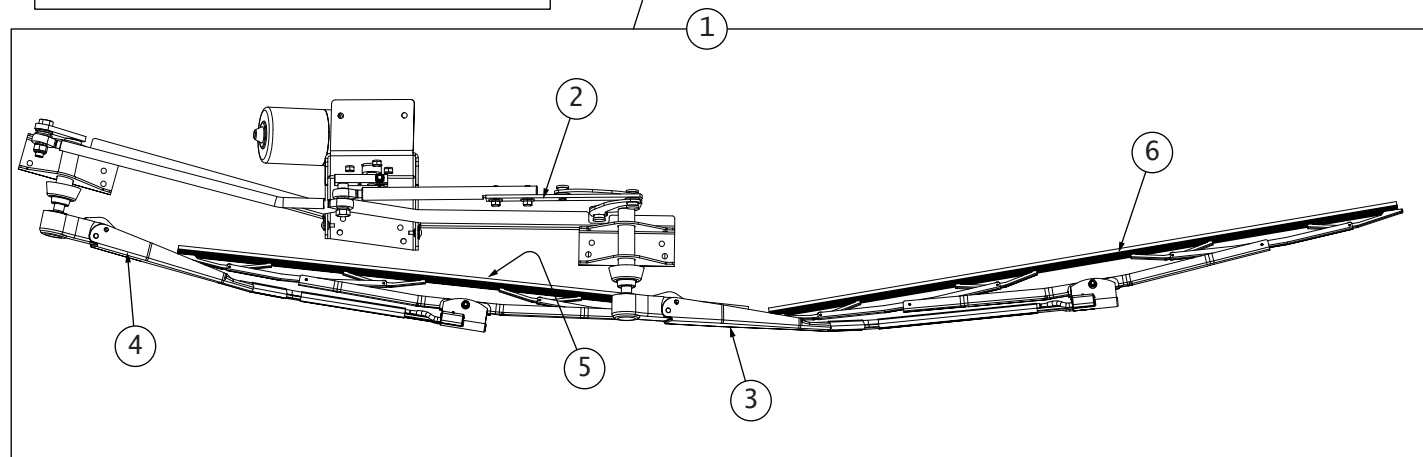
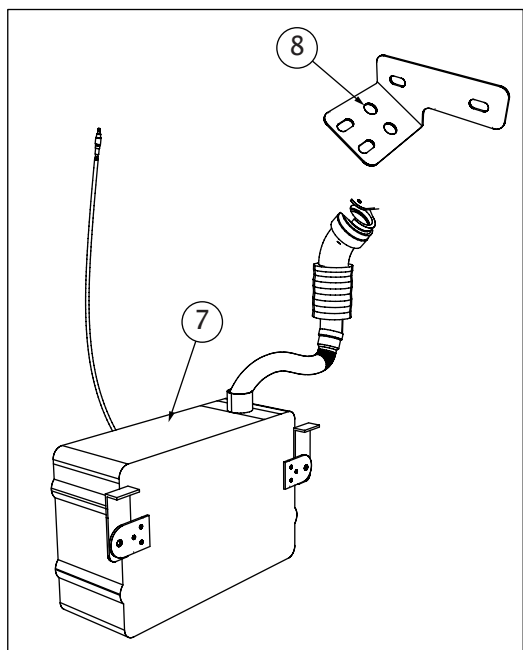
Sub : Rear Lights

Version :

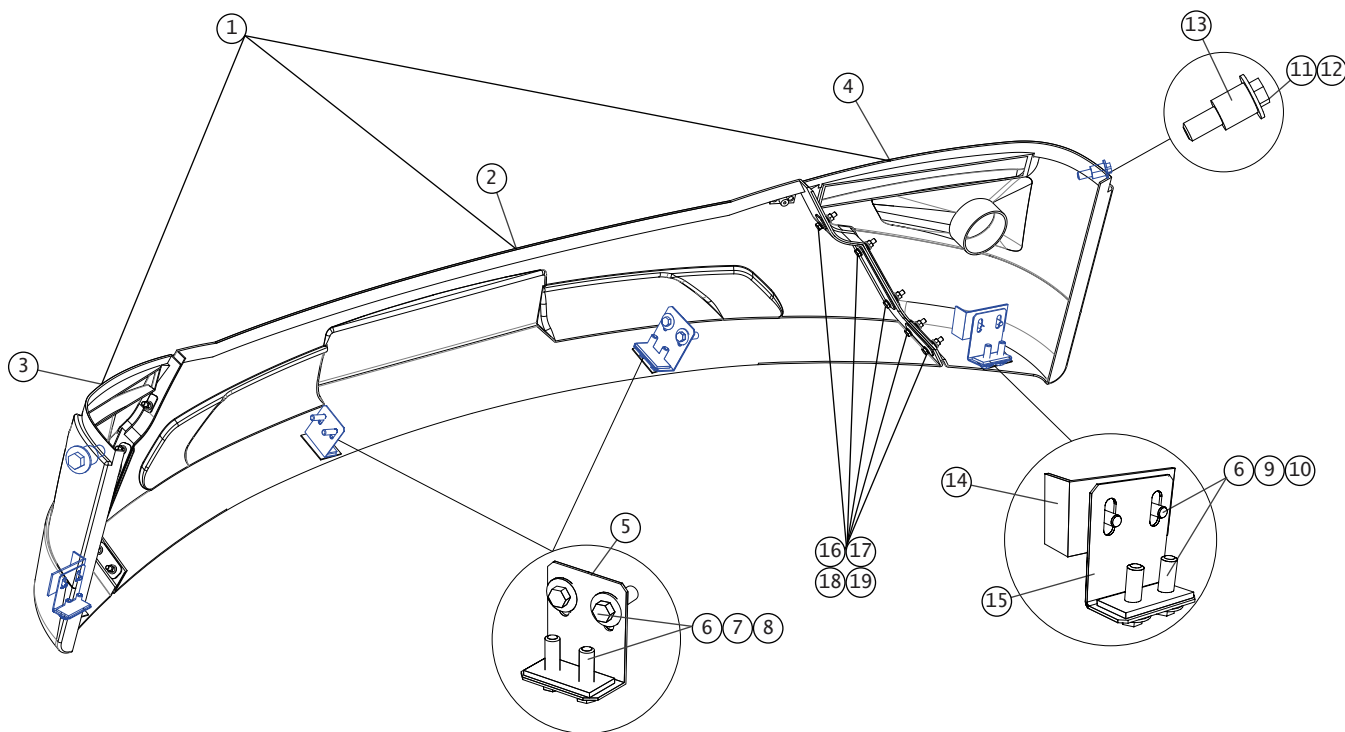
Page No:



NO	P/N	Description	Qty.	Unit
1	PSV/16/957	Rear Up. Marker	2	PCS
2	PSV/16/861	Rear Dir_Ind. RH h.	1	PCS
3	PSV/16/860	Rear Dir_Ind. LH h.	1	PCS
4	PSV/16/865	Pos. light rear	1	PCS
5	PSV/16/864	Pos. light rear LH-	1	PCS
6	PSV/16/867	Rear Tail/Stop RH v	1	PCS
7	PSV/16/866	Rear Tail/Stop LH v	1	PCS
8	PSV/16/859	Rear Dir_Ind. RH v.	1	PCS
9	PSV/16/858	Rear Dir_Ind. LH v.	1	PCS
10	PSV/16/869	Rev. light RH vert.	1	PCS
11	PSV/16/868	ev. light LH vert.	1	PCS
12	PSV/16/863	Rear Fog RH vert.	1	PCS
13	PSV/16/862	Rear Fog LH vert.	1	PCS
14	PSV/16/958	Reflector Red 122	2	PCS
15	PSV/16/958	Reflector Red 122	2	PCS
16	PSV/07/768	NO. Plate light LED	3	PCS
17	PSV/16/855	3rd stop lamp	1	PCS
18	PSV/07/900	Amber side marker	2	PCS



NO	P/N	Description	Qty.	Unit
1	PSV/16/877	wiper system kit	1	SET
2	PSV/16/872	LINKAGE & BRACKET ASSY MCV D113 & C123 (2021)	1	PCS
3	PSV/16/873	16 DIN WET MIDI ARM ASSY 750x150 LH CLIP	1	PCS
4	PSV/16/874	16 DIN WET MIDI ARM ASSY 670x130 LH CLIP	1	PCS
5	PSV/16/959	900mm CLIP BLADE	1	PCS
6	PSV/16/960	1000mm CLIP BLADE	1	PCS
7	PSV/16/878	washing system Kit	1	SET
8	PSV/16/961	LHS BRACKET	1	PCS



NO	P/N	Description	Qty.	Unit
1	PSV/16/962	GRP - Front Bumber [AUX.GRP] {S.P.}	1	PCS
2	PSV/16/963	GRP - MIDDLE BUMBER {S.P.}	1	PCS
3	PSV/16/964	GRP - Right Bumber {S.P.}	1	PCS
4	PSV/16/965	GRP - Left Bumper {S.P.}	1	PCS
5	PSV/16/966	(ELC) 9005SS - BRACKET ASSY.	2	PCS
6	PSV/16/967	Plain washer DIN125-1A - SP - St.Z.P. M8	8	PCS
7	PSV/57/682	Plain washer DIN9021 - St. Z.P (M8)	8	PCS
8	PSV/16/968	Hex. Head Screw DIN933-8.8-St. Z.P M8x25	12	PCS
9	PSV/57/678	Hex.Nut DIN934 - 8 - Z.P. M8	4	PCS
10	PSV/16/969	SP.Lock washer DIN127B - St.Z.P. M8	4	PCS
11	PSV/16/970	Boss. DIN6921 H.Fl.screw M6x25-8.8St.ZP.	2	PCS
12	PSV/16/971	PLAIN WASHER DIN 440R A6 (ZN-PLATED)	2	PCS
13	PSV/16/972	Front Bumper Fixation - Artilone Spacer	2	PCS
14	PSV/16/973	BRACKET ASSY. [AUX.FR]	2	PCS
15	PSV/16/974	(ELC) 9005SS - BRACKET ASSY.	2	PCS
16	PSV/16/975	Hex. Head Screw DIN933-8.8-St. Z.P M8x40	10	PCS
17	PSV/16/967	Plain Washer DIN125-1A - SP - St.Z.P. M8	20	PCS
18	PSV/16/976	SP.Lock washer DIN127B - St.Z.P. M10	10	PCS
19	PSV/57/678	Hex.Nut DIN934 - 8 - Z.P. M8	10	PCS



Manufacturing Commercial Vehicles  
After Sales Sector  
Body Technical Support Department

Body Parts Catalog (BPC)

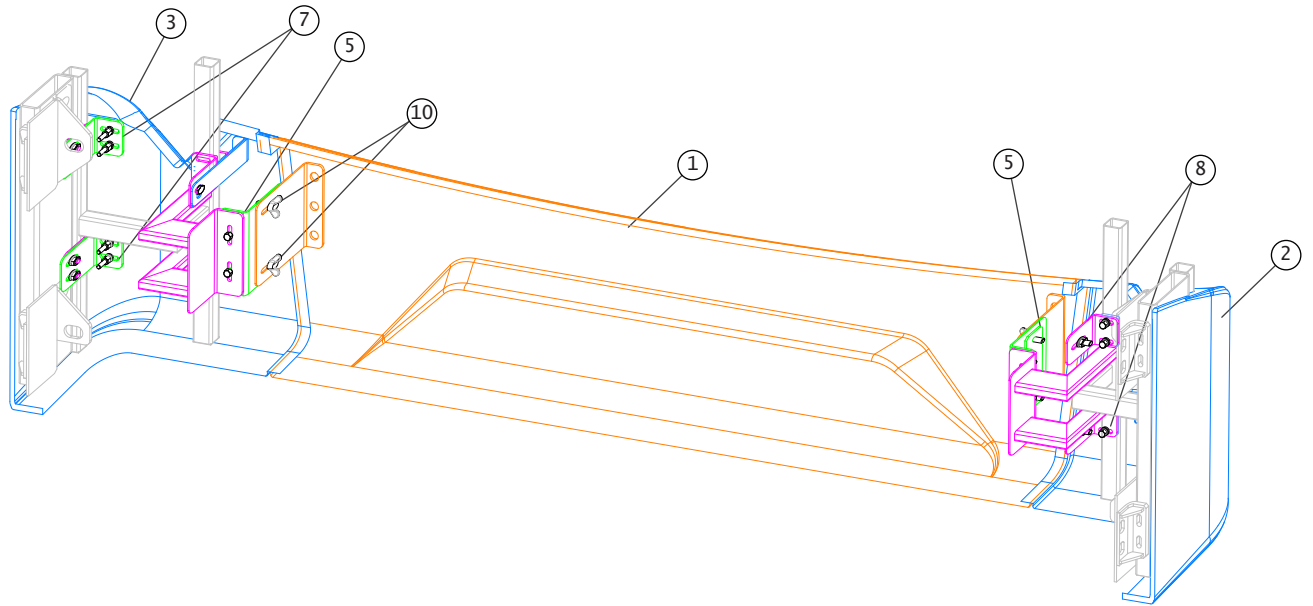
Group : 88 - Bumpers

Model : C103 EV

Sub : Rear Bumper

Version :

Page No:



NO	P/N	Description	Qty.	Unit
1	PSV/16/977	GRP - Rear Bumper {S.P.}	1	PCS
2	PSV/16/978	GRP - Rear Bumper Left wing {S.P.}	1	PCS
3	PSV/16/979	GRP - Rear Bumper Right wing {S.P.}	1	PCS
5	PSV/16/980	(PNT) ZINK RICH PAINT - L bracket asym.	2	PCS
7	PSV/16/981	(ELC) 9005SS - - L BRACKET 5	4	PCS
8	PSV/16/982	(ELC) 9005SS - - L BRACKET 4	4	PCS
9	PSV/16/983	Serr.Hex.Flng Bolt DIN6921-8.8-Z.P.M8X25	24	PCS
10	PSV/16/984	wing Screw Din 316 M8x16 St.ZN.PL.	4	PCS
11	PSV/16/985	DIN 6927 Lock Hex F. Nut M8 St. ZP. Blue	32	PCS