



SAKURA

Operating Instructions

RANGE HOOD

R7261

ENGLISH..... P1~P16
FRANÇAIS..... P17~P32
ESPAÑOL..... P33~P48
中文..... P49~P64

Read and save these instructions

Lire et conserver cette opération instructions.



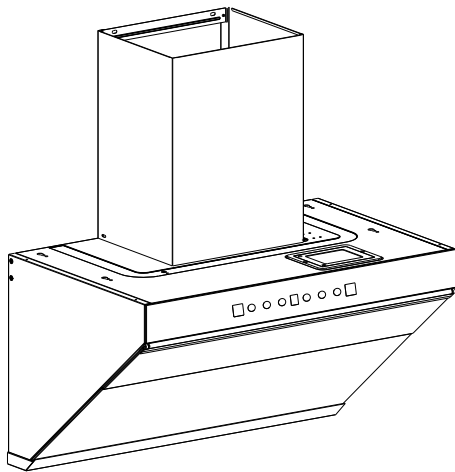
Thank you for purchasing our products. Here we would like to express our most sincere thanks to you!

Please read this manual carefully before installation and use, and install and use it correctly in strict accordance with the instructions in this manual.

After reading, please keep this manual, invoice and warranty card in a safe place for after-sales inquiry.

Our authorized service center will provide you with professional spare parts and technical support for Sakura products, so that your products can be guaranteed high-quality and fast maintenance.

If you need service, please provide the product model and manufacturing serial number, and contact with Sakura North America agent or distribution base.



1.PRECAUTIONSP2

2.PREPARATION BEFORE INSTALLATION P3

3.INSTALLATION PRINCIPLES P6

4.INSTALLATION STEPS P7

5.INSTRUCTIONSP12

6.DAILY MAINTENANCE P14

7.REPAIR GUIDE P15

8.PERFORMANCE TABLE P16

9.WIRING DIAGRAM P16

PRECAUTIONS



To avoid any accidental risk and damage to the range hood, please read this product manual carefully before starting installation and use.

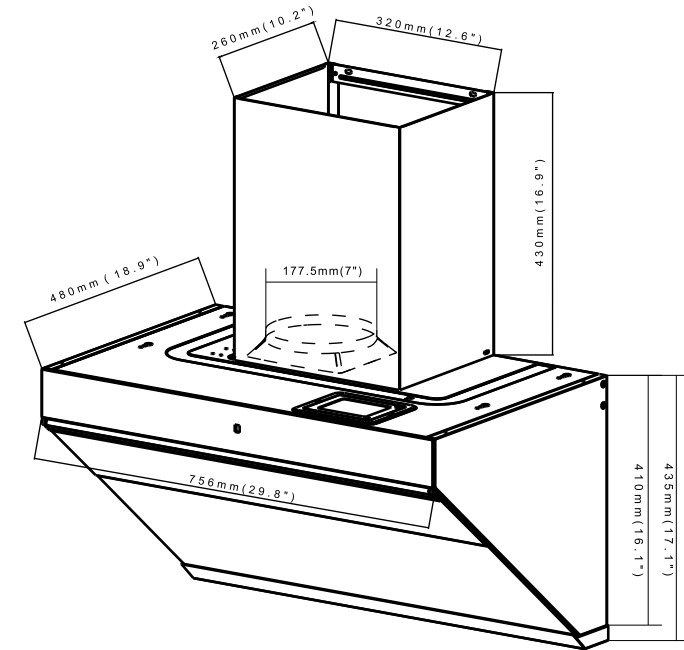
Only then can you operate this product safely and correctly, reducing the risk of fire, electric shock, or personal injury. Please keep this product manual for future use or subsequent users.

- Before installation, wiring and maintenance, please confirm that the power is completely turned off.
- Keep the range hood clean.
- To maintain good function of the range hood, the vertical distance between the bottom of the range hood and the surface of the gas stove must be maintained at 13¹/₂-17³/₄ inches.
- Ensure that the duct outlet is unblocked to maintain proper air circulation.
- For more detailed information, please refer to the specification label on the range hood.
- **NOTE:** In order to reduce the risk of fire and properly discharge oil fumes, please ensure that oil fumes are discharged outside the house, and do not discharge oil fumes to narrow walls or ceilings, such as: loft, garages...
- **NOTE:** This appliance is only used for general air circulation, and it is forbidden to discharge dangerous, explosive gas or vapor.
- **WARNING:** To reduce the risk of fire or electric shock, do not use other electrical switches (solid state relay switches) for this fan.
- **WARNING:** To reduce the risk of fire, electric shock or personal injury, please observe the following points:
 - (a) Please use the range hood according to the manufacturer's instructions. If in doubt please contact the manufacturer.
 - (b) Turn off the power before repairing or cleaning the range hood.
 - (c) Installation and wiring work must be performed by a qualified technician in accordance with appropriate safety regulations, including fire-related instructions.
 - (d) In order to completely burn the combustion system and discharge the exhaust gas through the exhaust pipe to avoid the backflow of the exhaust gas, sufficient air is necessary. Please follow the combustion system manufacturer's manual and safety specifications, such as National Fire Protection Association (NFPA), American Society of Heating, Refrigeration and Air-Conditioning Engineers (ASHRAE), and local government regulations.
 - (e) When drilling holes in the wall or ceiling, do not injure electrical wires and other hidden facilities.
 - (f) The fan of the exhaust duct must be connected to the outdoors.
- **WARNING:** To reduce the risk of range hood fire, please observe the following points:
 - (a) Clean the exhaust fan frequently, and should not allow oil stains to accumulate on the fan or filter.
 - (b) Be sure to turn on the range hood when cooking at high temperature.
 - (c) When the range hood is running at high speed, the food on the stove should not be out of sight. Overcooked food may easily cause soot or the hot oil may spill out of the pan, which may easily cause the range hood in use to catch fire and spread the fire. Slowly heat up the oil temperature when the range hood is running at low speed.
 - (d) When cooking, always pay attention to whether the range hood is abnormal.
 - (e) Use appropriate size cooking pots.
- **WARNING:** To reduce the risk of fire, electric shock or personal injury, please observe the following points:
 - (a) Use tight lids, sheets or trays to smother the flame, then turn off the fire, taking care to avoid burns. If the flames do not go out immediately, move away from the fire and call the fire brigade.
 - (b) Never pick up a pot that is on fire - you could be injured.
 - (c) Do not attempt to extinguish the flame with water, including wet napkins or towels, as this will also cause violent vapors.
 - (d) Use a fire extinguisher to put out the fire, if the situation is as follows:
 1. Identify a fire extinguisher with series ABC and you know how to operate it.
 2. The fireworks are small and still burning within the original ignition point.
 3. The fire brigade has been called.
 4. Make sure that there is sufficient capacity to extinguish the fire and that there is a safe escape exit behind.
- **WARNING:** To reduce the risk of fire, it is recommended to use a metal piping system.
- When installing the range hood body, the distance between the top of the range hood and the stove surface should not be less than 29 inches.

PREPARATION BEFORE INSTALLATION

1. It is not difficult to install a range hood. If the air ducts and complete tools are already equipped at home, it would generally be completed within 2 hours.
2. The air outlet in this range hood is round, so it can be connected to a round air duct. If you do not have an air duct, we recommend you to ask an expert to install one for you. If you have an existing air duct and an existing range hood, please check your air outlet specifications first.

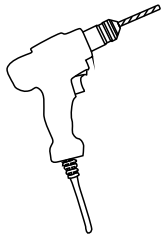
● Appearance and Related Dimensions



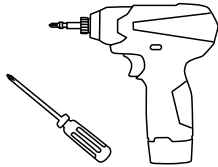
- The diameter of the air outlet of the range hood is 7 inches. Please measure the diameter of your air duct. If it is not 7 inches, you need to buy an adapter (the adapter can be purchased at Home Depot or DIY hardware retail stores, or visit Sakura authorized base for purchase consultation). Please NOTE: If the diameter of the air duct is less than 7 inches, it will affect the ventilation.
- The method of measuring the diameter of the air duct is as follows. Use a rope to surround the air duct and measure the circumference of the air duct:
 - If the circumference is 48 cm, the diameter of the air duct is 6 inches.
 - If the circumference is 56 cm, the diameter of the air duct is 7 inches.
 - If the circumference is 64 cm, the diameter of the air duct is 8 inches.
- Hood is optional, please contact Sakura Sales and Service Center.

PREPARATION BEFORE INSTALLATION

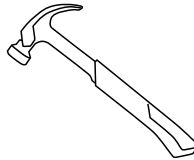
3. Necessary tools:



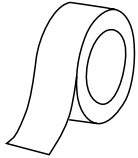
Electric Drill (1-1/4" Wood Bit)



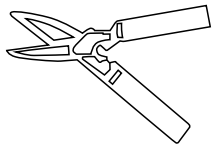
Electric Screwdriver
Flat and Cross Screwdrivers



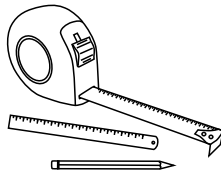
Hammer



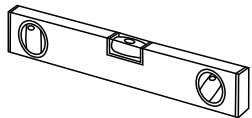
Heat-Resistant Insulating Tape



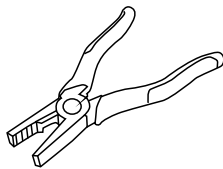
Tin scissors



Ruler, Pencil and Tape Measure



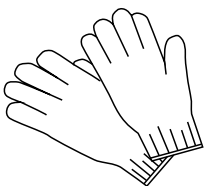
Gradienter



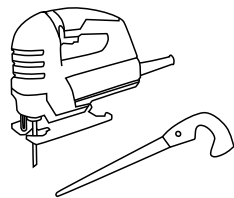
Pliers



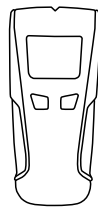
Goggles



Gloves



Electric Saw (Hand Saw also available)











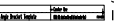


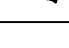

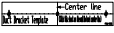


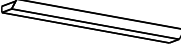
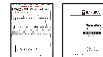
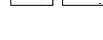
Wooden Pillar Detector

PREPARATION BEFORE INSTALLATION

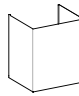
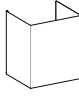

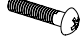
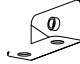




4. Distribution Parts

Please open the carton to check whether the range hood body, distribution parts and accessories are complete

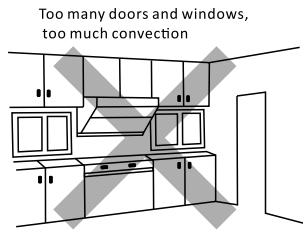
•Standard Accessories

Item	Illustration	Item	Illustration
Air Duct Base Set	 Air Duct Base1pc  Sponge Sealing Strip1pc  Screw M4X124pcs	Top Plate Installation Set	 Top Plate Installation Construction Drawing1pc  4X40 Screw4pcs  Screw M5X40..4pcs  Washer 5x16x1.24pcs
Steel Angle Bracket Set	 Steel Angle Bracket2pcs  Steel Angle Bracket Installation Construction Drawing1pc  Screw M5X12.....4pcs  4X40 Screw.....2pcs  Expansion Tube2pcs	Hanger Set	 Hanger1pc  Hanger Installation Construction Drawing1pc  4X40 Screw3pcs  Expansion Tube3pcs
Oil Collector	 1pc	User Manual Warranty Card	 Warranty Card.. 1pc  User Manual1pc

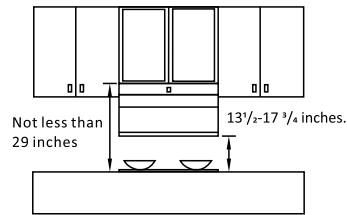
•Hood Optional

Item	Illustration	Item	Illustration
Lower Hood	 1pc	Upper Hood	 1pc
Lower Hood Bracket Set	 Hood Bracket.....1pc  Screw M4X10L ..10pcs  Hood Fixing Piece2pcs	Upper Hood Bracket Set	 Hood Bracket.....1pc  Hood Installation Construction Drawing1pc  4X40 Screw2pcs  Expansion Tube2pcs

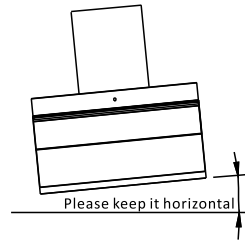
INSTALLATION PRINCIPLES



(Picture 1)



(Picture 2)



(Picture 3)

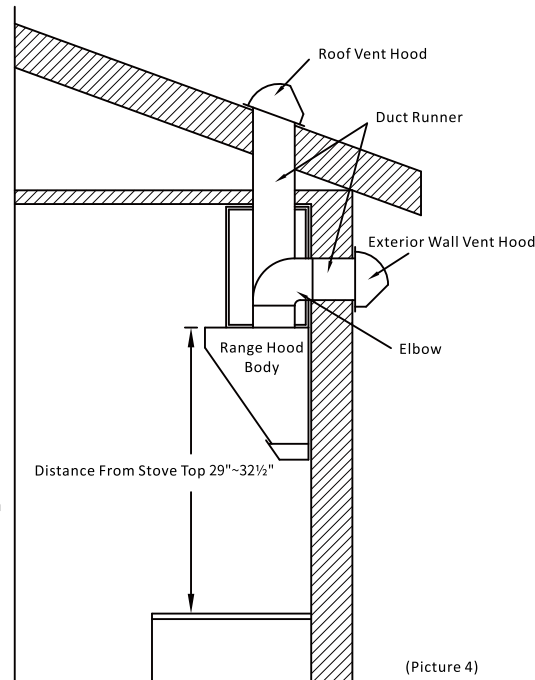
1. Near the installation location of the range hood, avoid excessive air convection caused by too many doors and windows, otherwise it will not be able to exert its smoke exhaust effect. (Picture 1)
2. The range hood needs to be installed directly above the stovetop. (Picture 2)
3. The vertical clearance range between the bottom of the hood and the surface of the cooker must be maintained at 13 1/2-17 3/4 inches; the top of the range hood must not be less than 29 inches from the cooktop. (Picture 2)
4. After installation, the range hood body should not be tilted and should be kept horizontal, otherwise the oil accumulated in the oil collecting pan (or oil collecting cup) will tend to one side and overflow the body. (Picture 3)
5. Air duct installation position (Picture 4)

WARNING: To reduce the risk of fire, metal piping is recommended.

- The straight and short air duct flow channel system has better performance for the range hood.
- A duct system that is too long or bended will reduce the efficiency of the range hood. When the duct runner is long, it is recommended to use a larger duct to achieve better smoke extraction performance.
- When installing the air duct, please seal the interface with heat-resistant tape to avoid air leakage.

6. Electrical installation:

- The power supply must use the rated voltage (120V-60Hz).
- The power cord of this range hood is a 3P plug with grounding function, please use the grounding socket of the same specification when installing. And confirm that the range hood body does achieve the grounding function.



(Picture 4)

INSTALLATION STEPS

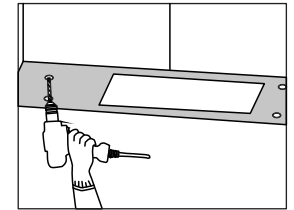
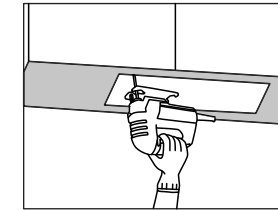
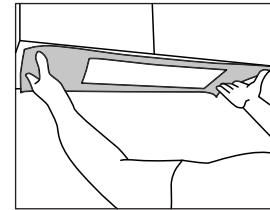
In response to different cabinet designs, this range hood has three installation methods to meet different needs.
WARNING: Please wear protective gloves during installation.

• Top plate installation method (Installation under the cabinet)

1. Open the accessory packing box, take out the top plate installation construction drawing, stick it under the cabinet according to the above instructions, and open, punch and lock 4 wood screws according to the requirements of the size drawing (the wood screws should not be locked; it must leave a gap between 1/4 - 1/2 inches from the top of the cabinet).

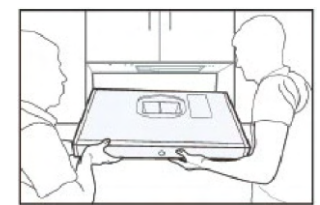
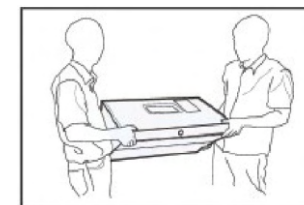
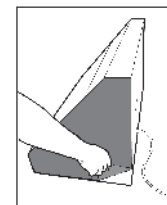
NOTE: If there is a wooden strip on the side of the bottom plate against the wall, the installation construction drawing indicates the side of the wall (Wall), and it needs to be cut according to the thickness of the wooden strip.

REMINDER: Wear goggles when opening the hole.

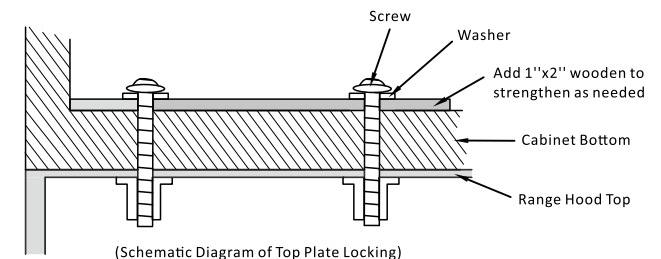
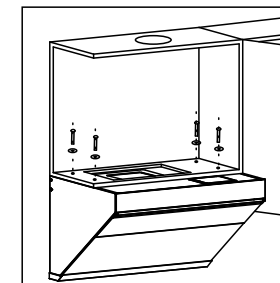


2. Tear off the protective film of the whole product.
3. Lift the main unit horizontally and align the top gourd shape hole on the nail head, then push the range hood back, and close to the wall for product positioning.

NOTE: You need two people to install this range hood for safety.



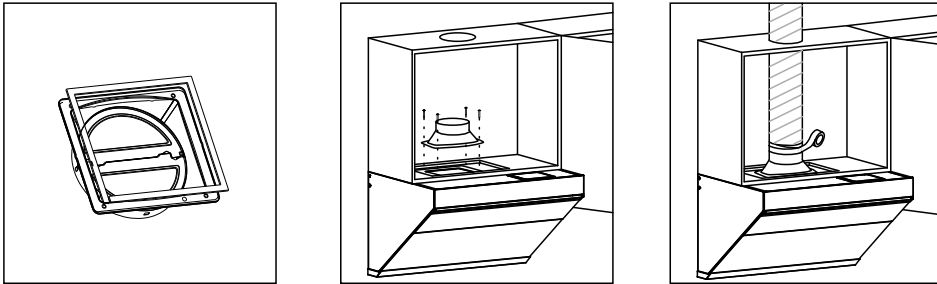
4. After the range hood is positioned, use M5 flat head screws and Φ16 washers to lock the upper hole and fix it to the cabinet (2 pcs on the left and the right).



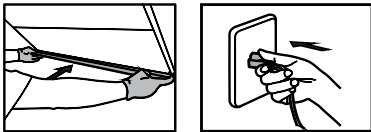
(Schematic Diagram of Top Plate Locking)

INSTALLATION STEPS

- Put a sponge sealing strip on the bottom of the air outlet along the edge, and use 4 pcs M4x12mm air outlet screws to lock the air outlet to the top plate of the range hood body.
- Fix the exhaust pipe on the air outlet, and wrap it with heat-resistant insulating tape to seal it.



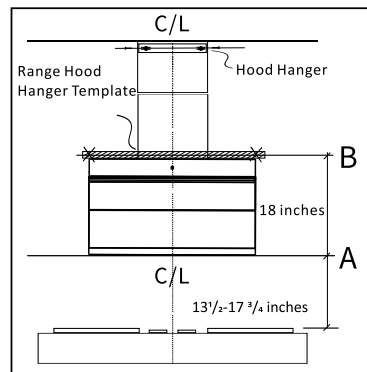
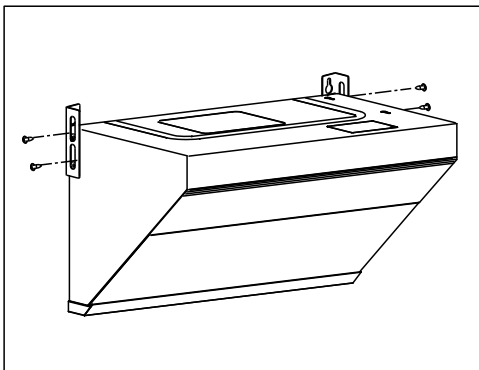
- The whole range hood must be kept horizontal, and then the oil collector is installed and positioned and then plugged into the power supply to test the product.



NOTE: After the heat-resistant insulating tape is sealed, please turn on the range hood to test whether there is air leakage in the exhaust pipe, and try to straighten the exhaust pipe.

●L-shaped steel angle bracket lock wall installation method (No upper cabinet installation plus hood)

- Open the accessory box, take out the left and right steel angle bracket, and use M5*13 screws to install and fix the left and right steel angle bracket on both sides of the range hood.
- Make sure the strength of the wall must be enough to support the weight of the range hood, and mark the center line of the range hood.
- Measure $13\frac{1}{2}$ - $17\frac{3}{4}$ inches from the hob support to the bottom of the range hood, and mark the baseline A.
- Line A is moved up by 18 inches to mark the installation height line B of the steel angle bracket.



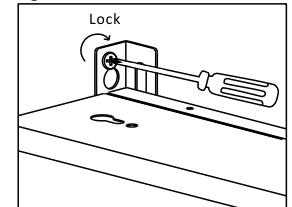
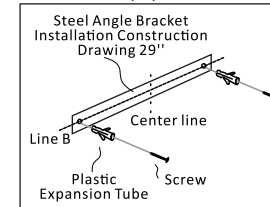
- Take out the installation drawing of the steel angle bracket, the vertical center line is aligned with the range hood body center line, and the horizontal center line is aligned with the line B, stick it flat on the wall, drill holes in alignment with the drilling positions, and pre-embed the plastic expansion tubes in the holes, then fix and lock the 4x40mm screw (Note that the screw head must have a clearance of $\frac{1}{8}$ - $\frac{1}{4}$ inches from the wall).

INSTALLATION STEPS

- Lift the range hood body horizontally and hang the steel angle bracket on both sides. After the whole range hood is installed and fixed, lock the screws until they are fully tightened.

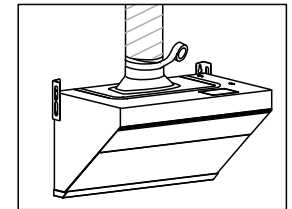
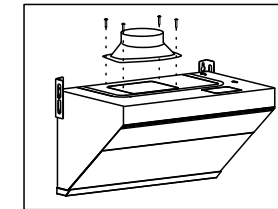
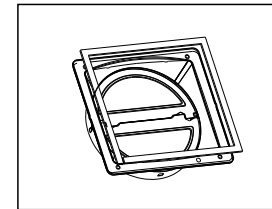
NOTE: For safety you need two people to install this range hood.

NOTE: Please pay attention to the horizontal and vertical when hanging the steel angle bracket, do not tilt.

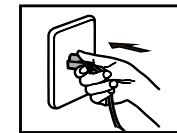
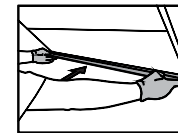


- Put a sponge sealing strip on the bottom of the air outlet along the edge, and use 4 pcs M4x12mm air outlet screws to lock the air outlet to the top plate of the range hood body.

- Fix the exhaust pipe on the air outlet, and wrap it with heat-resistant insulating tape to seal it.

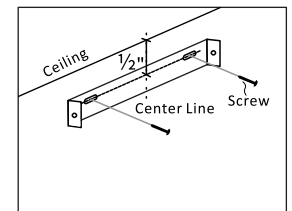
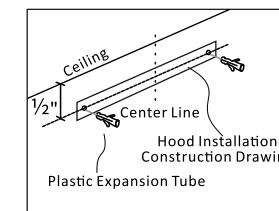
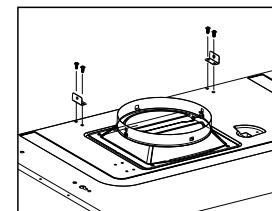


- The whole range hood must be kept horizontal, and then the oil collector is installed and positioned and then plugged into the power supply to test the product.



NOTE: After the heat-resistant insulating tape is sealed, please turn on the range hood to test whether there is air leakage in the exhaust pipe, and try to straighten the exhaust pipe.

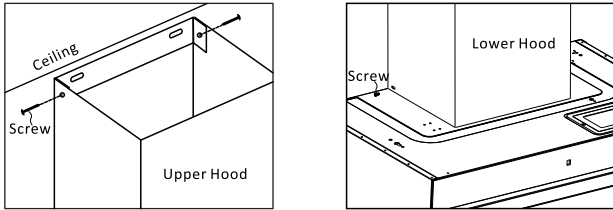
- Take out the hood bracket and lock it to the corresponding hole on the top plate of the range hood body.
- Paste the hood installation drawing on the wall (The vertical center line is aligned with the range hood body center line, and the horizontal center line is away from the ceiling $\frac{1}{2}$ inches), drill a hole in alignment with the drilling position and pre-embed the plastic expansion tube in the hole.
- Use 4x40mm screws to lock the hood fixing bracket into the hole.



- Tear off the protective film on the surface of the range hood body and the upper and lower hood.

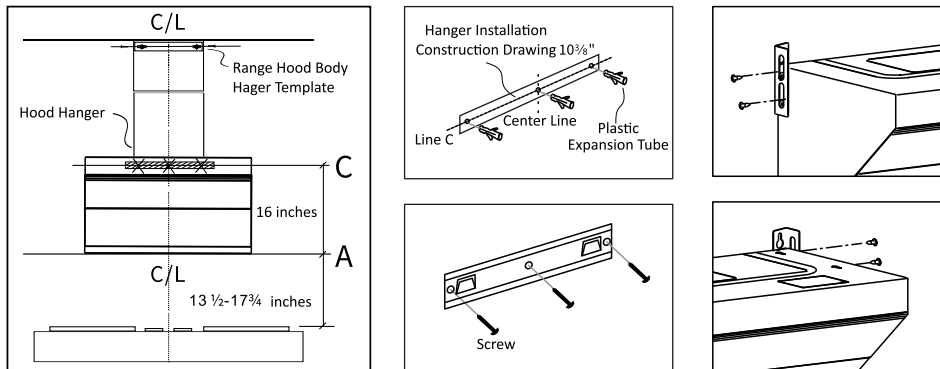
INSTALLATION STEPS

14. Take out the hood screws to fix the lower hood to the hood fixing plate; the upper hood is fixed to the hood fixing bracket.



● Back hanging and steel angle bracket lock wall installation method (No upper cabinet installation plus hood)

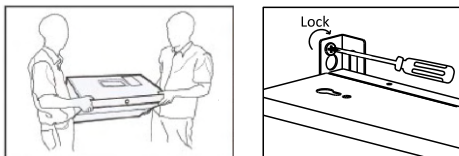
1. Make sure the wall is strong enough to support the weight of the range hood, and mark the center line of the range hood.
 2. Measure $13\frac{1}{2}$ - $17\frac{3}{4}$ inches from the hob support to the bottom of the range hood, mark baseline A.
 3. Line A is moved up 16 inches to mark the mounting height line C of the back panel hanger.
 4. Take out the hanger installation construction drawing, the vertical center line is aligned with the center line of the range hood body, and the horizontal center line is aligned with the line C, and stick it flat on the wall, drill the hole at the drilling position, pre-embed the expansion tubes in the hole, then fix and lock the 4x40mm screw.
- NOTE:** The back panel hanger must have at least one screw to be fixed on the wooden post to avoid being unable to load.
5. Open the accessory box, take out the hanger to install, fix the 4x40mm screws in the plastic expansion tube in sequence and lock it.
 6. Open the accessory box, take out the left and right hanging irons, and use M5*13 screws to install and fix the left and right steel angle bracket on both sides of the range hood body.



7. Lift the range hood horizontally and hang the steel angle bracket on both sides. After the whole range hood is positioned, please use 4X40mm wood screws to lock the steel angle bracket on the left and right sides until they are completely fastened.

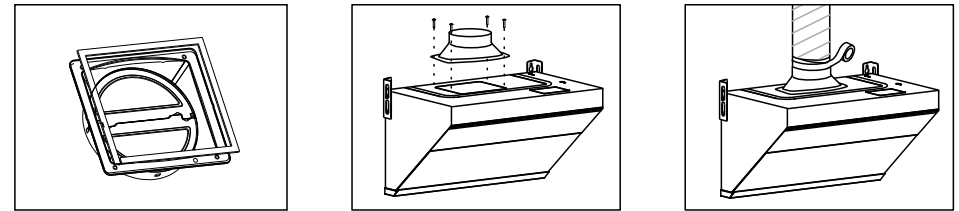
NOTE: You need two people to install this range hood for safety.

NOTE: Please pay attention to the horizontal and vertical when hanging, do not tilt.

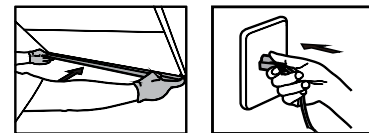


INSTALLATION STEPS

8. Put a sponge sealing strip on the bottom of the air outlet along the edge, and use 4 pcs M4x12mm air outlet screws to lock the air outlet to the top plate of the range hood body.
9. Fix the exhaust pipe on the air outlet, and wrap it with heat-resistant insulating tape to seal it.

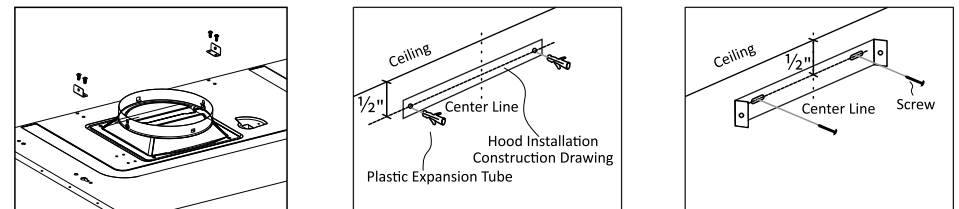


10. The whole range hood must be kept horizontal, and then the oil collector is installed and positioned and then plugged into the power supply to test the product.

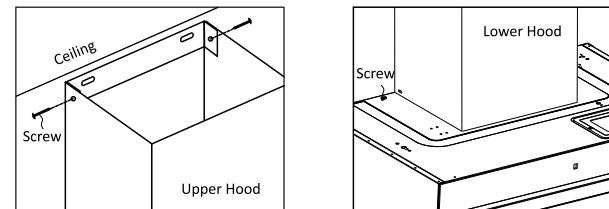


NOTE: After the heat-resistant insulating tape is sealed, please turn on the range hood to test whether there is air leakage in the exhaust pipe, and try to straighten the exhaust pipe.

11. Take out the hood bracket and lock it to the corresponding hole on the top plate of the range hood body.
12. Paste the hood installation drawing on the wall (The vertical center line is aligned with the range hood body center line, and the horizontal center line is away from the ceiling $\frac{1}{2}$ inches), drill a hole in alignment with the drilling position and pre-embed the plastic expansion tube in the hole.
13. Use 4x40mm screws to lock the hood fixing bracket into the hole.



14. Tear off the protective film on the surface of the range hood body and the upper and lower hood.
15. Take out the hood screws to fix the lower hood to the hood fixing plate; the upper hood is fixed to the hood fixing bracket.

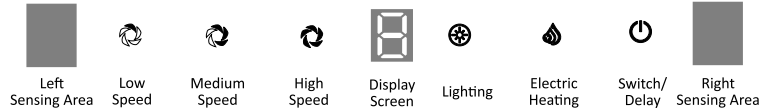


INSTRUCTIONS



WARNING

- Do not operate the switch too hard.
- Do not let cookware air burning.
- It is strictly forbidden to directly bake the range hood.
- Please clean the oil collector regularly to prevent oil from overflowing.
- Do not dismantle with power on or against the rules.
- Non-professionals are not allowed to disassemble and repair.



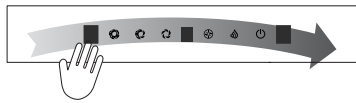
1. Description of the waving sensor function:

TIPS: The most suitable distance between the hand and the sensing area is within 5cm.

TIPS: If the power is successfully on, there will be a bell prompt.

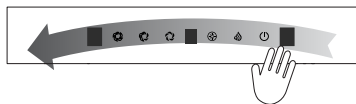
- In the stand-by state, the waving mode can be performed by presetting.
- Hand wave sensor to switch on:

Wave your hand through the left sensing area to the right sensing area, the upper glass will automatically open, the range hood will run at a preset low speed, and the lighting will automatically turn on.



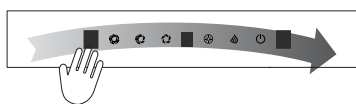
- Hand wave sensor to switch off/delay:

Wave your hand through the right sensing area to the left sensing area, enter the shutdown state with a delay of 3 minutes, and the display screen will display a countdown timer for 3 minutes. Wave your hand through the right sensing area to the left sensing area twice, the upper glass will automatically close, the lighting will be turned off, and it will enter the shutdown state.



- Hand wave sensor to speed shifting:

Continuously wave your hand through the left sensing area to the right sensing area, and the operating speed will change in sequence: low speed → medium → speed → high speed → low speed.



2. Touch function description:

- On/Off key:

In the power-on state, the "On/Off key" is the total control key. Click to enter the power-on and no-operation mode, the upper glass is automatically turned on, the indicator lights are all on, and the lighting is turned on without preset. Press it again to shut down, the upper glass is automatically closed, the lighting is turned off, and it enters the shutdown state.

If it is in the running mode, press it to enter the shutdown state with a delay of 3 minutes, the display screen will display a countdown timer for 3 minutes, and it will automatically enter the shutdown state after the countdown is completed.

INSTRUCTIONS

- High speed:

When the range hood is not running or in other running speed modes, press the "high speed key" to enter the high-speed running mode, the display screen shows 3, and press it again to close the operation.

- Medium speed:

When the range hood is not running or in other running speed modes, press the "medium speed key" to enter the medium-speed running mode, the display screen shows 2, and press it again to turn off the operation.

- Low speed:

When the range hood is not running or in other running speed modes, press the "low speed key" to enter the low-speed running mode, the display screen shows 1, and press it again to turn off the operation.

- Lighting:

In the power-on state, the lighting is an independent function and can be turned on/off without restriction.

- Electric heating clean:

In the power-on state, no matter whether it is running or not, press and hold the "electric heating clean key" for 5 seconds, the indicator light will flash, the upper glass will automatically close, the display screen will display a countdown timer for 9 minutes, and after the countdown is completed, the upper glass will open and enter into low-speed operation. The low-speed key is always on, after 1 minute of continuous operation, the range hood is heated and cleaning is completed, the buzzer sounds and the range hood shuts down automatically.

TIPS: The electric heating clean function will not automatically turn on or turn off the lighting, which is a normal phenomenon.

TIPS: To cancel the electric heating clean function, please press and hold the "electric heating clean key" again for 5 seconds to turn off this function, and enter the power-on and no-running mode; or press the "switch/delay button" to turn off the range hood.

WARNING: When the electric heating clean function is activated, the hand wave sensor function is invalid.

● Stop waving sensing function: In the power-off state, press and hold the "medium speed key" for 5 seconds and the buzzer will sound and turn off the waving induction function; long press again for 5 seconds, the buzzer will sound and the induction function will resume.

TIPS: When the hand wave sensor function is stopped, the touch function can still operate normally without being affected.

● Clean lock: In the off state, long press the "switch/delay key" for 3 seconds, the upper glass will automatically open, the switch/delay key will flash and enter the lock screen state, at this time, the wave sensing and touch functions are invalid; long press "switch/delay key" for 3 seconds again, the upper glass is automatically closed, the cleaning lock is released, and the waving and touch functions are restored.

TIPS: Lighting can be turned on/off without restriction under the cleaning lock.

DAILY MAINTENANCE

- Daily maintenance is more important than repair:

NOTE: In order to give full play to the best performance of the machine and prolong its service life, it is necessary to pay attention to maintenance frequently.

WARNING: The plug should be unplugged during maintenance.

- Always keep the outside of the body clean

1. After use, please use a dry towel or a rag moistened with neutral detergent to wipe the surface of the housing, glass panel, oil filter, exhaust pipe and hood, and clean it frequently to maintain its beauty, hygiene and sensitivity.

TIPS: The oil filter has a nano easy-to-clean coating, which is free of disassembly and washing, but do not use an iron brush to clean it to avoid scratching the surface coating. Wipe it after daily use to keep it clean.

2. It is recommended to clean the glass surface and oil filter surface once every time you cook, and to do the electric heating cleaning at least once a week, and perform deep cleaning every three months. If you use it heavily, please shorten the cleaning cycle according to the usage.

WARNING: For in-depth maintenance, please contact professionals for service, and non-professionals are prohibited from disassembling.

3. It is recommended to perform external maintenance of the range hood at least once every three months. Use a sponge to dip an appropriate amount of stainless steel maintenance oil to wipe the stainless steel surface of the range, which can slow down the rust on the surface of the housing. If the environment is humid, ask for instructions to shorten the maintenance cycle.

WARNING: Stainless steel material is not rust forever, only under reasonable use, it is less likely to rust; if it is used improperly or scratches the surface, it will still rust.

- Remove accumulated dirty oil

1. The oil collector should be taken out regularly every month, and the oil stains should be drained for cleaning, so as to avoid the possibility of overflow or oil stains.

2. Disassembly and assembly steps of oil collector

A. Please turn off the power first and unplug it.

B. Please pick up the oil collector according to the direction shown in the picture.

C. Install and push to the bottom after cleaning.

WARNING: Failure to replace the oil collector will cause oil to drip onto the stove top.

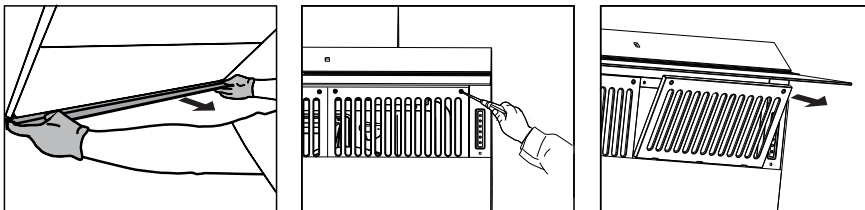
3. Oil filter disassembly and assembly steps

A. Please unplug in the cleaning lock state.

B. Use a cross screwdriver to remove the screws, and pick up the oil filter according to the direction shown in the picture.

C. Put it back and screw it in after cleaning.

WARNING: Do not operate the range hood without locking the oil filter, this may have a safety hazard.



REPAIR GUIDE

If there have any abnormal phenomenon while you're using the range hood, you should stop using it immediately and unplug the power plug for fault diagnosis.

WARNING: It is strictly forbidden for non-professionals to disassemble and repair this product.

WARNING: The plug should be unplugged when servicing.

- Frequently asked questions are as follows

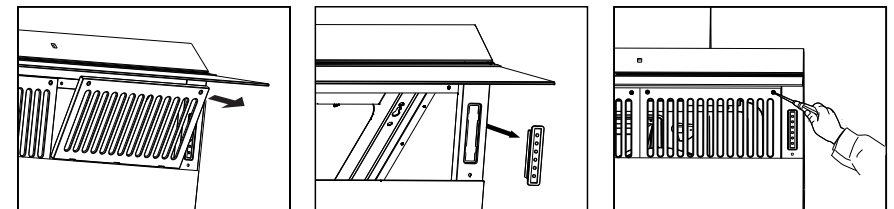
Fault	Reason	Troubleshooting
Cannot start up	1. The power is not turned on.	1. Confirm leakage current.
	2. The signal wire or power wire is broken or short-circuited.	2. Check whether the signal wire and power wire connecting the touch control board to the power board are disconnected.
	3. Damaged touch control board or power board.	3. Replacing the touch control board or power board.
Light doesn't work	1. LED light failure.	1. Replace the LED light.
	2. The LED light cable is disconnected.	2. Check whether the LED light wire is connected.
Motor doesn't work	1. Motor failure.	1. Replace the motor.
	2. If the temperature is too high, the overheat protection will be activated and the motor will stop working.	2. Wait for the motor to cool down for 30 minutes and then resume operation.
	3. Capacitor failure.	3. Replace the capacitor.
	4. Damaged touch control board or power board.	4. Replacing the touch control board or power board.
Poor suction	1. The distance between the range hood and the stove surface is too high.	1. The installation height should be within 29~32 ¹ / ₂ inches of the top of the range hood and the stove surface.
	2. There are many doors and windows around the range hood, and the convection is too large.	2. Close surrounding windows and doors.
	3. Air outlet or air duct is blocked.	3. Clear the blockage.
	4. There is outside wind backflow at the air outlet.	4. Change the direction of the air outlet and air duct.
	5. Using the wrong duct size.	5. Replace duct with 7 inch or larger size.
Machine vibration	1. The motor is not securely locked.	1. Securely lock the motor.
	2. Damaged blower blades.	2. Replace the blower blades.
	3. The range hood is not locked when installed.	3. Check whether the range hood is indeed locked.
Filter vibration	1. The oil filter is not securely locked.	1. Make sure the oil filter is tightly locked.

- LED light replacement:

1. Remove the oil filter according to the disassembly and assembly steps of the oil filter.

2. After unplugging the LED light wiring, take out the LED light.

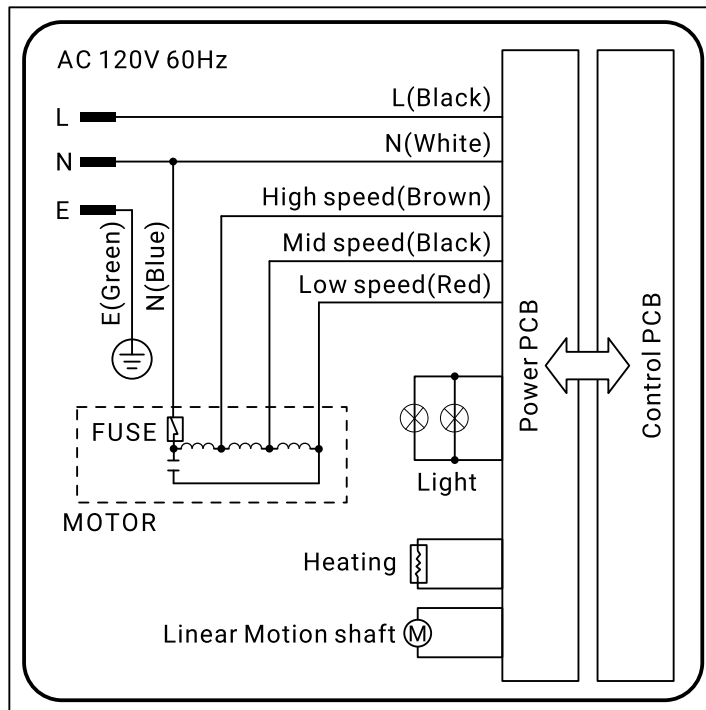
3. Remove the LED light, replace with new parts, then connect the LED light wiring, and lock it back to the oil filter.



PERFORMANCE TABLE

Model	R7261
Rated Voltage/Rated Frequency	120V / 60Hz
Motor Type	Single Motor
Air Outlet Diameter	Ø7"
Lighting	LED Light (1.5WX2 pcs)
Heating Film Power Consumption (W)	50
Motor Power Consumption (W)	300
Total Power Consumption (W)	353

WIRING DIAGRAM



Nous vous remercions pour l'achat de produit de notre société. Nous vous exprimons notre plus profonde gratitude au nom de tous mes collègues.

Veuillez lire soigneusement ce manuel avant utilisation, observez strictement les instructions du présent manuel pour le montage et l'utilisation correcte.

Après la lecture, bien conservez ce manuel avec la facture et la carte de garantie pour la référence ultérieure du service après-vente.

Notre centre de service agréé vous fournira des pièces ainsi que le support technique professionnel pour les produits SAKURA, afin d'assurer la meilleure maintenance rapide pour vos produits.

Le cas échéant, vous pouvez fournir la modèle et le no.de série du produit en entrant en contact avec des concessionnaires et des points de vente de SAKURA en Amérique du nord.

