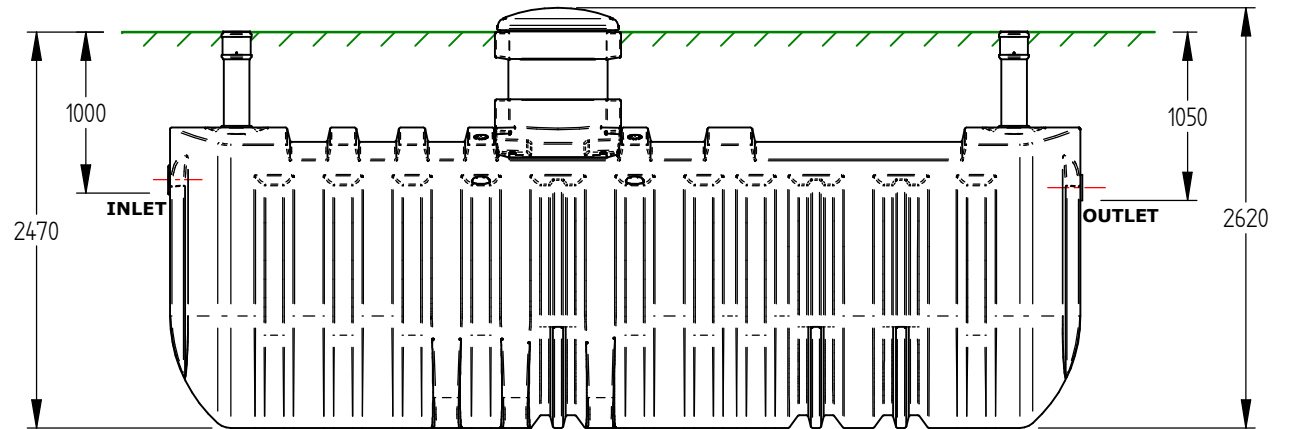
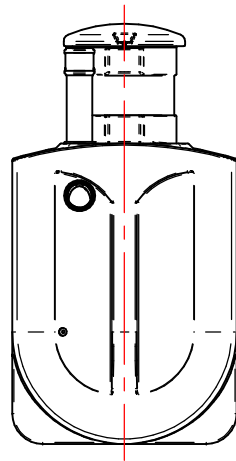
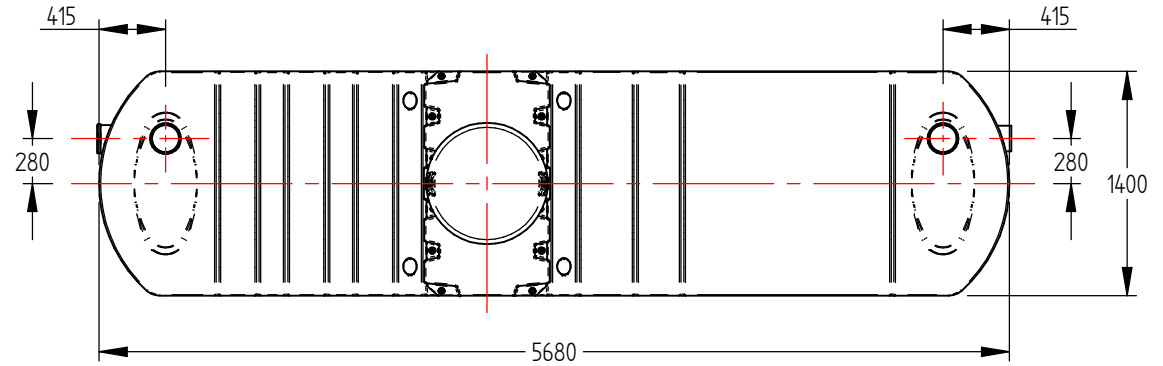
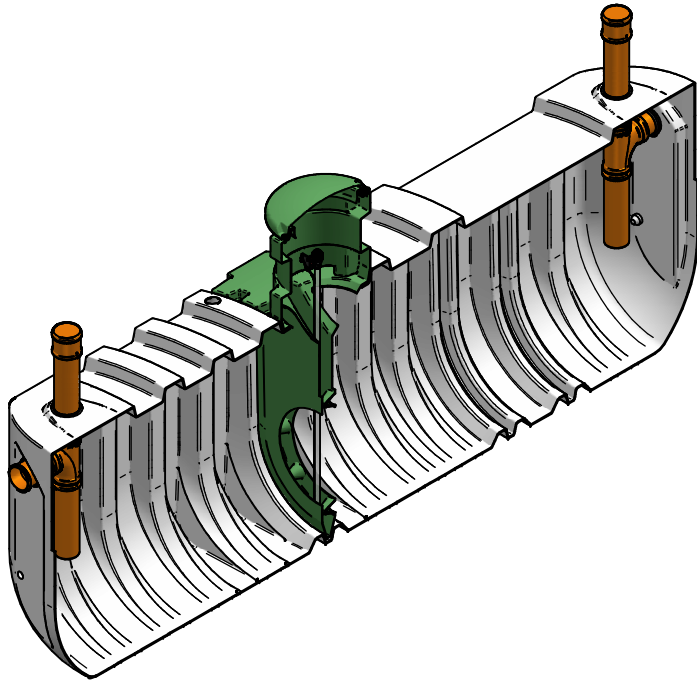


INSTALLATION: TANK ORDER MUST BE MAINTAINED.
ALTERNATIVE TANK ALIGNMENTS TO THAT SHOW ARE POSSIBLE TO SUIT SPECIFIC SITE REQUIREMENTS.
ENSURE INTERCONNECTING PIPEWORK HAS RODDING ACCESS AT ALL BENDS.

THE INFORMATION, DATA, AND DRAWINGS EMBODIED IN THIS DOCUMENT ARE STRICTLY CONFIDENTIAL AND ARE SUPPLIED WITH THE UNDERSTANDING THAT THEY WILL NOT BE DISCLOSED TO ANY THIRD PARTIES WITHOUT THE PRIOR WRITTEN CONSENT OF HARLEQUIN MANUFACTURING LTD COPYRIGHT Sole property of Harlequin Manufacturing Ltd. All rights reserved			UNLESS OTHERWISE SPECIFIED, DIMENSIONS ARE IN MM LINEAR TOLERANCE $\pm 0.25\text{mm}$, ANGLES $\pm 0.5^\circ$ DO NOT SCALE DRAWING - Use Figure Dimensions Only IF IN DOUBT, ASK		TITLE: HydroClear Pop50 Treatment Plant General Installation		DWG NO: 15-008-001 REVISION: 00 SHEET: 1 of 1 FILE NAME: Hydroclear_HCS0.dft		ISSUE DATE: 01/10/2017 DRAWN BY: JC		Harlequin MANUFACTURING FOR TOMORROW		Harlequin Manufacturing Ltd 21 Clarehill Road Moira Co. Armagh BT67 0PB www.harlequin-mfg.com	
Revision	Issue Date	ELN Reference												



Revision	Issue Date	ECN Reference

THE INFORMATION, DATA, AND DRAWINGS EMBODIED IN THIS DOCUMENT ARE STRICTLY CONFIDENTIAL AND ARE SUPPLIED WITH THE UNDERSTANDING THAT THEY WILL NOT BE DISCLOSED TO ANY THIRD PARTIES WITHOUT THE PRIOR WRITTEN CONSENT OF HARLEQUIN MANUFACTURING LTD

COPYRIGHT Sole property of Harlequin Manufacturing Ltd. All rights reserved

UNLESS OTHERWISE SPECIFIED: DIMENSIONS ARE IN MM
 LINEAR TOLERANCE $\pm 0.25\text{mm}$, ANGLES $\pm 0.5^\circ$

DO NOT SCALE DRAWING - Use Figure Dimensions Only

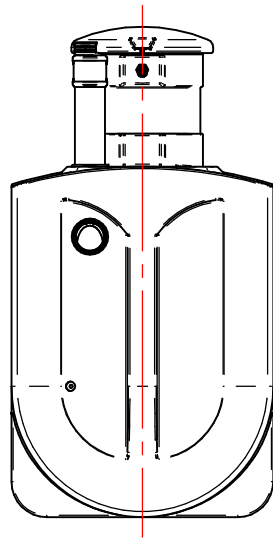
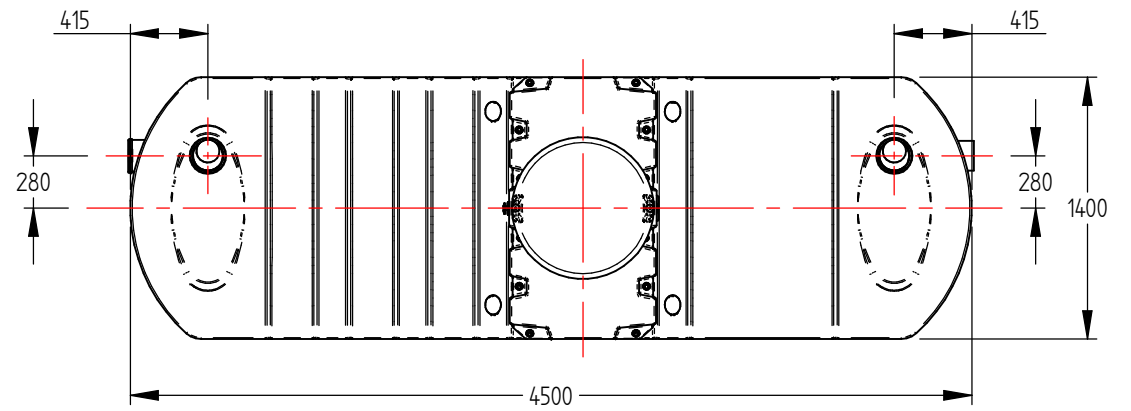
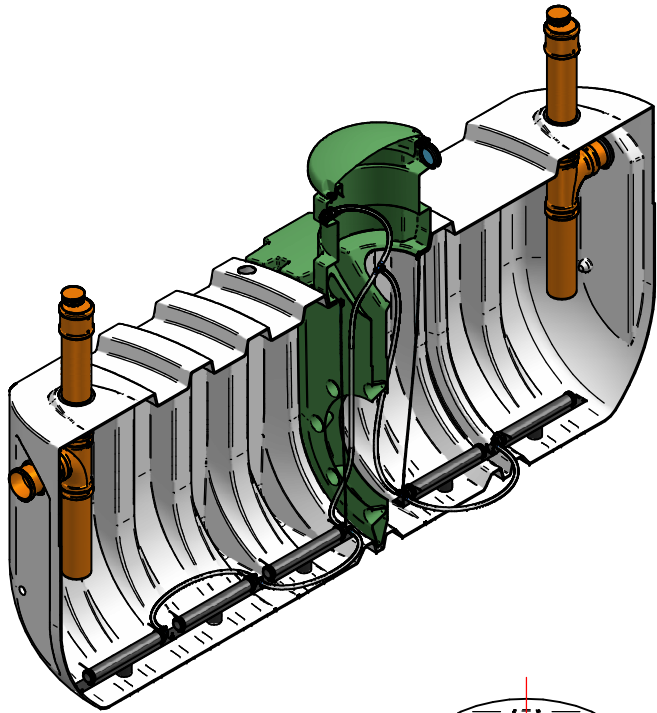
IF IN DOUBT, ASK

TITLE: **HydroClear Pop50 Treatment Plant Primary Tank**

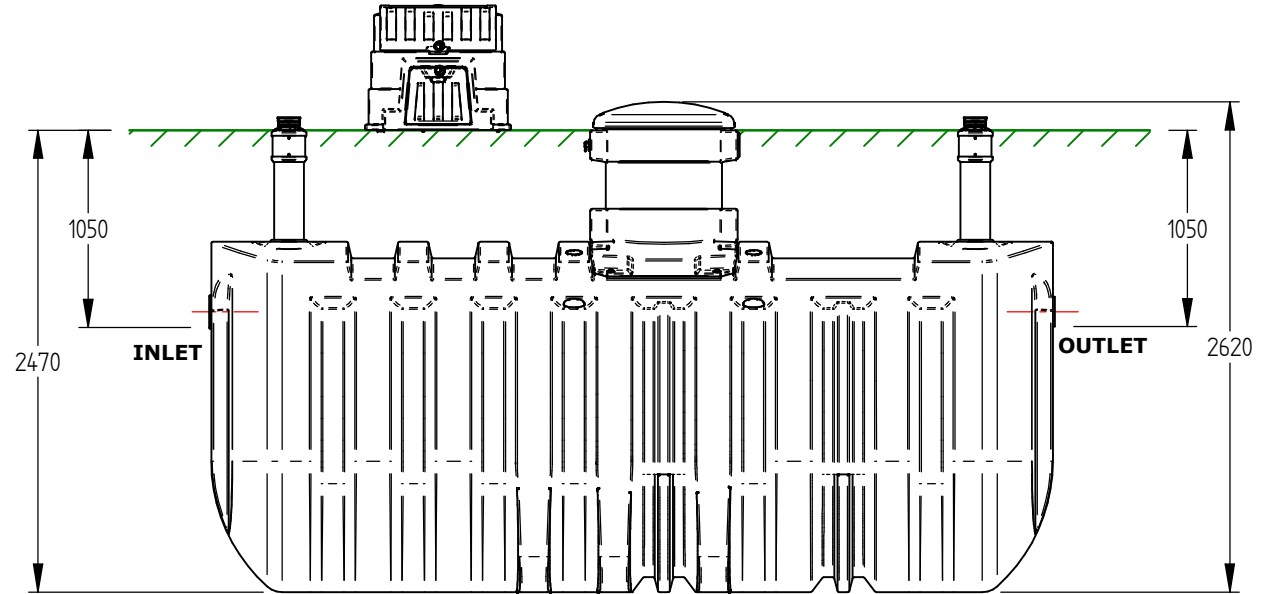
DWG NO: 15-008-002	ISSUE DATE: 01/10/2017
REVISION: 00	DRAWN BY: JC
SHEET: 1 of 1	
FILE NAME: Hydroclear_HCS0.dft	

Harlequin
 MANUFACTURING FOR TOMORROW

Harlequin Manufacturing Ltd
 21 Clarehill Road
 Moira
 Co. Armagh
 BT67 0PB
 www.harlequin-mfg.com



BLOWER BOX



Revision	Issue Date	ELN Reference

THE INFORMATION, DATA, AND DRAWINGS EMBODIED IN THIS DOCUMENT ARE STRICTLY CONFIDENTIAL AND ARE SUPPLIED WITH THE UNDERSTANDING THAT THEY WILL NOT BE DISCLOSED TO ANY THIRD PARTIES WITHOUT THE PRIOR WRITTEN CONSENT OF HARLEQUIN MANUFACTURING LTD

COPYRIGHT Sole property of Harlequin Manufacturing Ltd. All rights reserved

UNLESS OTHERWISE SPECIFIED: DIMENSIONS ARE IN MM
 LINEAR TOLERANCE $\pm 0.25\text{mm}$, ANGLES $\pm 0.5^\circ$

DO NOT SCALE DRAWING - Use Figure Dimensions Only

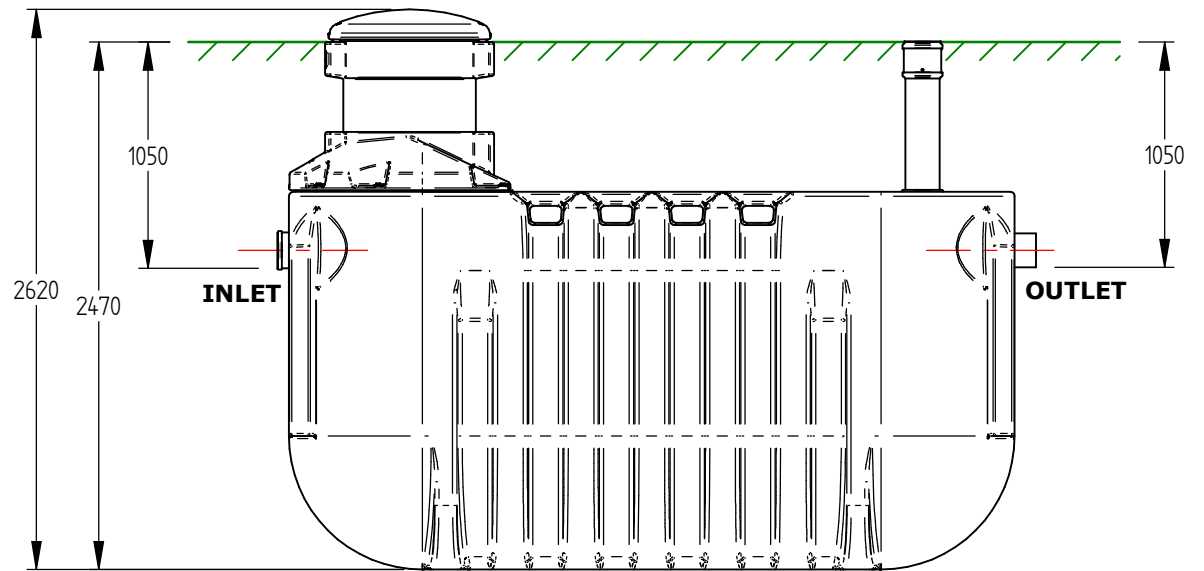
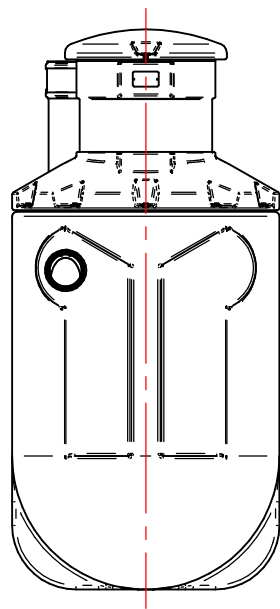
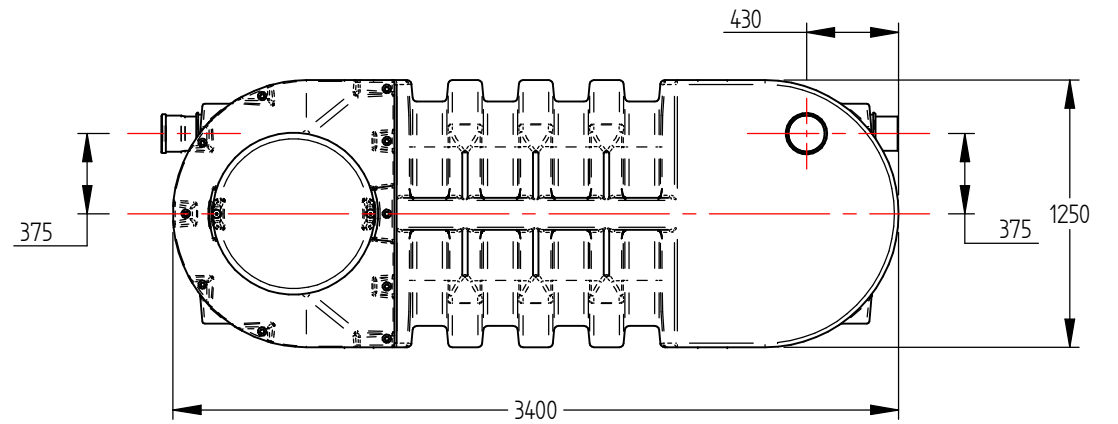
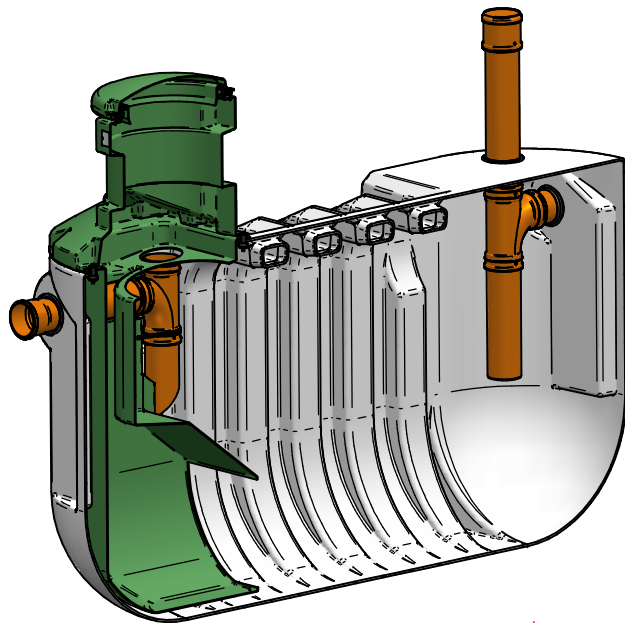
IF IN DOUBT, ASK

TITLE: **HydroClear Pop50 Treatment Plant Aeration Tank**

DWG NO: 15-008-003	ISSUE DATE: 01/10/2017
REVISION: 00	DRAWN BY: JC
SHEET: 1 of 1	
FILE NAME: Hydroclear_HC50.dft	



Harlequin Manufacturing Ltd
 21 Clarehill Road
 Moira
 Co. Armagh
 BT67 0PB
 www.harlequin-mfg.com



Revision	Issue Date	ECN Reference

THE INFORMATION, DATA, AND DRAWINGS EMBODIED IN THIS DOCUMENT ARE STRICTLY CONFIDENTIAL AND ARE SUPPLIED WITH THE UNDERSTANDING THAT THEY WILL NOT BE DISCLOSED TO ANY THIRD PARTIES WITHOUT THE PRIOR WRITTEN CONSENT OF HARLEQUIN MANUFACTURING LTD

COPYRIGHT Sole property of Harlequin Manufacturing Ltd. All rights reserved

UNLESS OTHERWISE SPECIFIED: DIMENSIONS ARE IN MM
 LINEAR TOLERANCE $\pm 0.25\text{mm}$, ANGLES $\pm 0.5^\circ$

DO NOT SCALE DRAWING - Use Figure Dimensions Only

IF IN DOUBT, ASK

TITLE: **HydroClear Pop50 Treatment Plant Final Settlement Tank**

DWG NO: 15-008-004	ISSUE DATE: 01/10/2017
REVISION: 00	DRAWN BY: JC
SHEET: 1 of 1	
FILE NAME: Hydroclear_HCS0.dft	

Harlequin
 MANUFACTURING FOR TOMORROW

Harlequin Manufacturing Ltd
 21 Clarehill Road
 Moira
 Co. Armagh
 BT67 0PB
 www.harlequin-mfg.com