

Assembly Sheet

FIRE RESISTANT PANEL SETS:

1. Before starting to build your fire barrier wall, you must first decide how it is going to be supported. Any supporting structure needs to withstand the elements which may vary from site to site and therefore is down to the installer's judgement. Options for this could be a brick, masonry or stone wall or non-combustible posts & supporting brackets (which we supply) that can be securely anchored to the ground (see website for more details). Important note is that any supporting structure MUST be non-combustible, MUST be installed on the tank side of the wall and the support structure must be the full height (or very near to, no less than 100mm) of the completed wall. Where a corner wall is being installed, it may well be self-supporting and this will have to be decided by the installer on site taking into account site conditions, wind loading etc.
2. Once the support structure has been installed, the base U channel can then be screwed to the ground. (equal to the length of the wall)
If using an existing support structure such as a wall, then the next step would be to attach the vertical U channel to this wall using plugs & screws. The side walls of this U channel should fit over the side walls of the base channel (see diagram fig 1)
3. Now you are ready to start laying the panels into the U channel(s) (see diagram fig 2)
Consideration needs to be given as to how to fit side strips.
4. If you are using non-combustible posts, it is important to use L shape brackets to secure each wall section to the posts as you are building them up (see diagram fig 3) Screws should not penetrate the panel more than 10mm when fitting the bracket.
5. When laying each panel onto the top of another panel – ensure they fit firmly and snugly together into the tongue and groove system (see diagram fig 4)
6. Top to bottom tie strips need to be fitted to the tank side of the fire barrier and secured to each panel. 2 screws should be placed in each panel 50mm apart on each side of the T&G joint. (see diagram fig 5)
7. Continue fitting panels as above to the required height. When the last panel is fitted, then fit the remaining side channel and top channel accordingly. The top channel is fitted over the top of the side channel (see diagram fig 6)
8. The final parts to fit are the corner caps. These are fitted to the top corners only.
9. Now secure all channels and caps to the panels using the self-tapping screws provided

Assembly Sheet

FIRE RESISTANT PANEL SETS:

Figure 1.

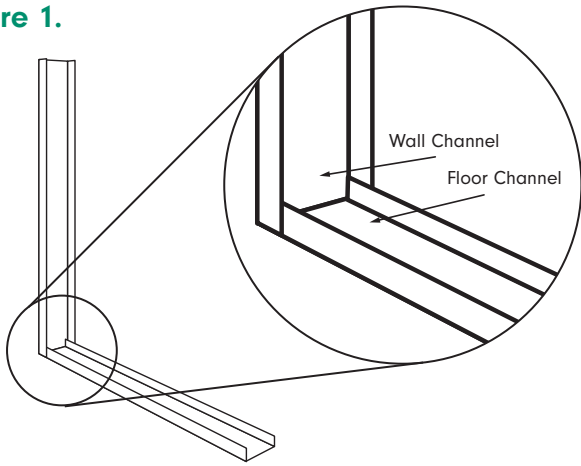


Figure 2.

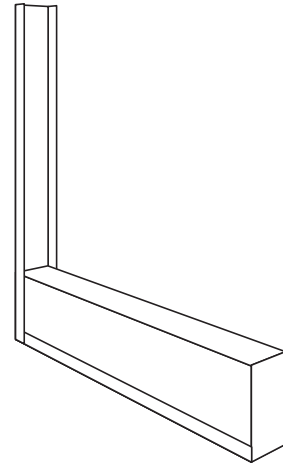


Figure 3.

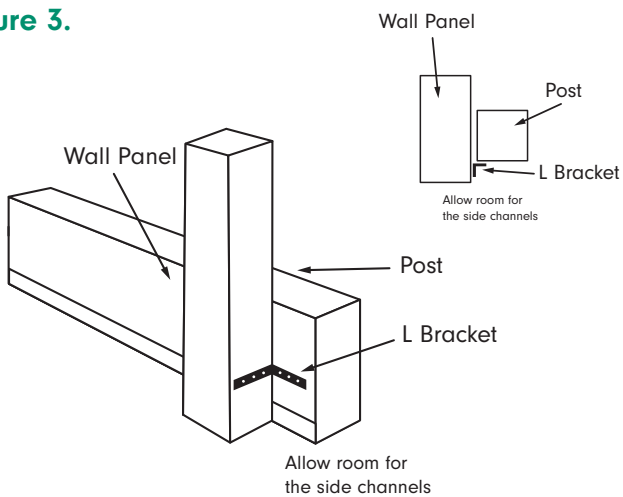


Figure 4.

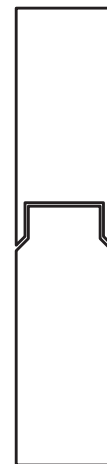


Figure 5.

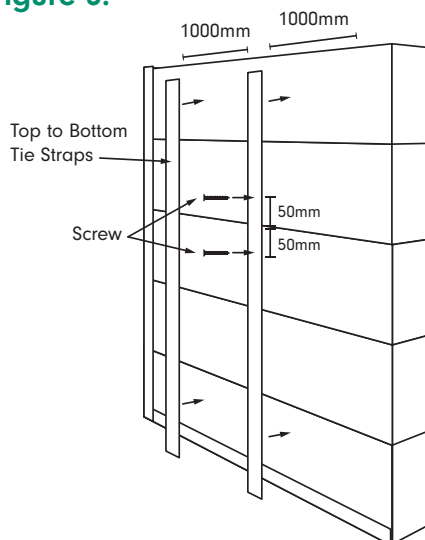


Figure 6.

