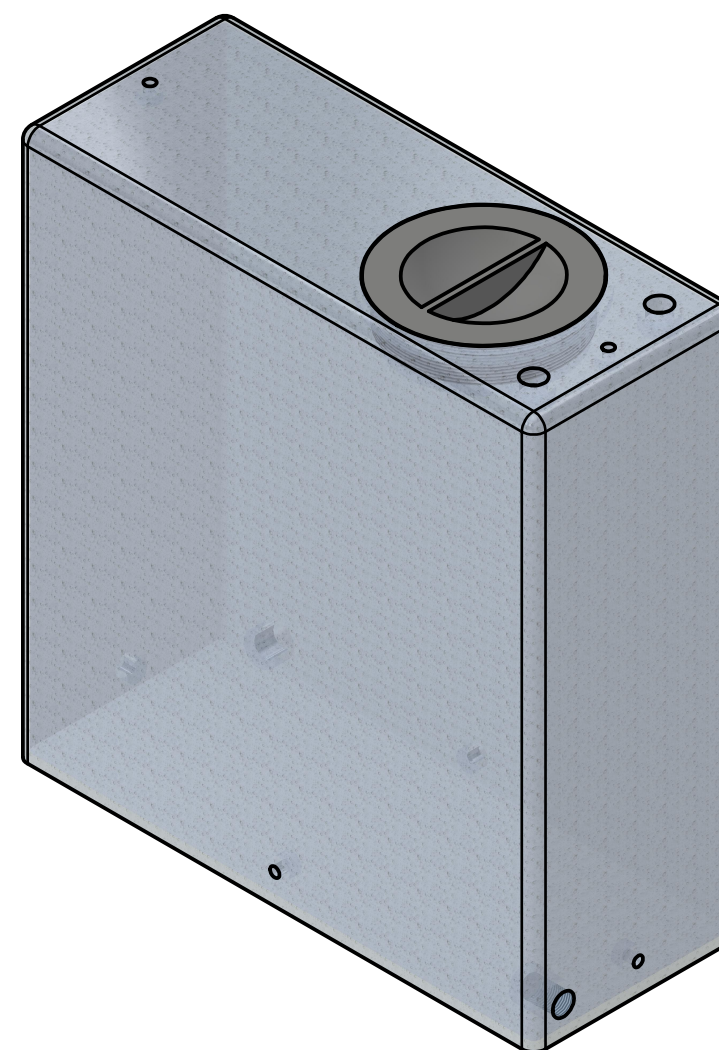
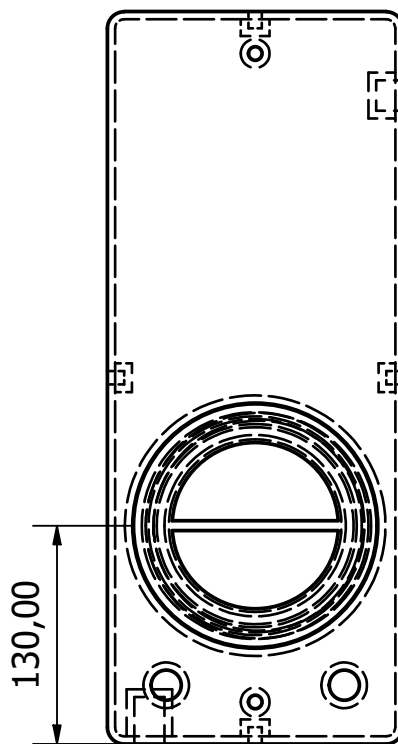
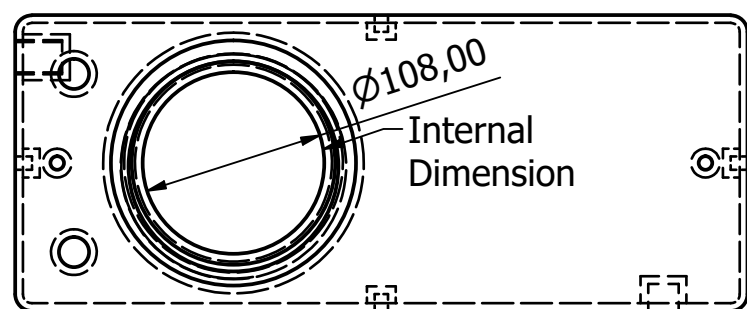
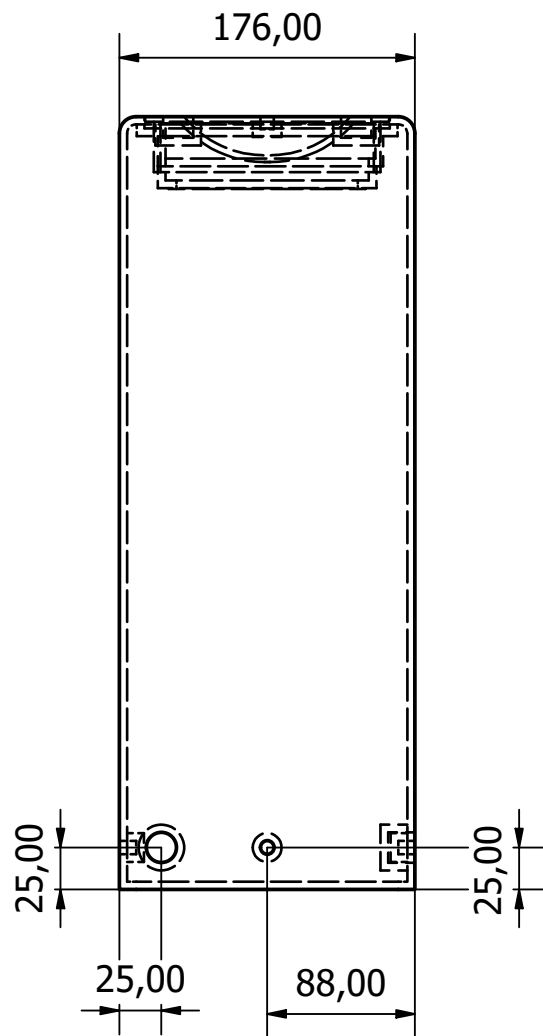
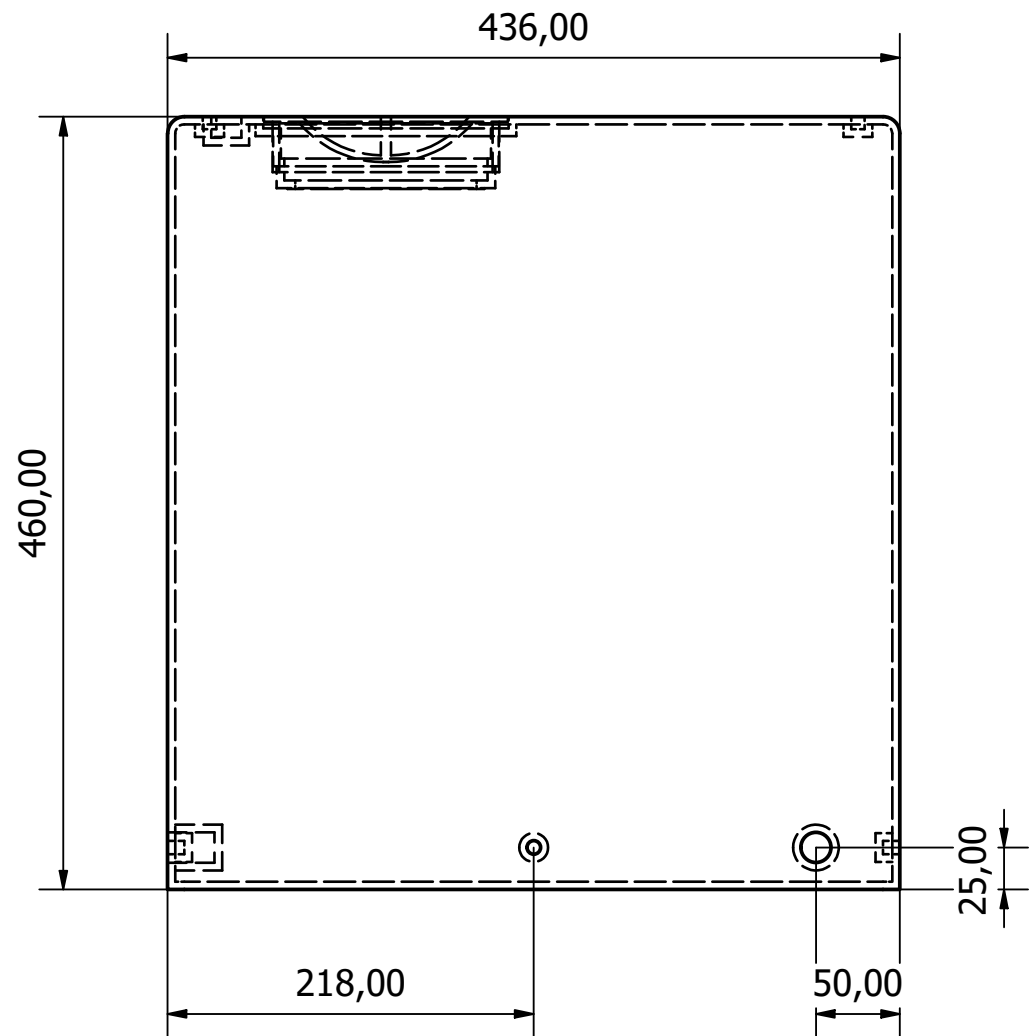


DO NOT SCALE UNLESS STATED - IF IN DOUBT ASK

Nominal wall thickness - 4.5mm  
Nominal weight - 3.8kg

Material	Polyethylene
Qty Req'd	



**Wydale Plastics Ltd**  
Cathole Bridge Rd,  
Crewkerne,  
Somerset,  
TA18 8RF  
Tel: 01460 73212  
Fax: 01460 77348

THIS DRAWING AND THE INFORMATION THEREON IS THE SOLE PROPERTY OF WYDALE PLASTICS LTD AND SHALL NOT BE COPIED OR REPRODUCED WITHOUT THE CONSENT OF WYDALE PLASTICS LTD. DIMENSIONS ARE ALL IN MM UNLESS OTHERWISE STATED.  
ALL TOLERANCES +/- 1MM UNLESS STATED.

CUSTOMER:		Wydale Plastics Ltd	
PROJECT:		31 Litre Camper Tank	
DRAWN DATE:	DESIGNED BY:	CHECKED BY:	
09/11/2022	Rory		
SHEET 1 OF 1	REV	DRAWING NO:	
	A		

REV	ZONE	DESCRIPTION	DATE