

ITEM NO.	PART NUMBER	DESCRIPTION	QTY.
1	171608	800L VERTICAL BAFFLED SLIMLINE TANK	1
2	135322	Ø255 SCREW LID & RIM	1
3	177915	1 1/2" HANSEN BSP (m) ADAPTOR	1

DESIGN DATA	
DESIGN PRESSURE: ATMOSPHERIC	MAXIMUM CAPACITY (LTRS):
DESIGN TEMPERATURE: 40°C	WORKING CAPACITY (LTRS):
WORKING PRESSURE: ATMOSPHERIC	APPROX. WEIGHT FULL (KGS):
WORKING TEMPERATURE: 40°C	APPROX. WEIGHT EMPTY (KGS):
MOULDED LIFTING LUGS: 4 - 0°, 90°, 180° & 270°	
METHOD OF SUPPORT: FIRM, FLAT, FULLY SUPPORTING BASE OF CONCRETE OR OTHER SUITABLE MATEREAL	

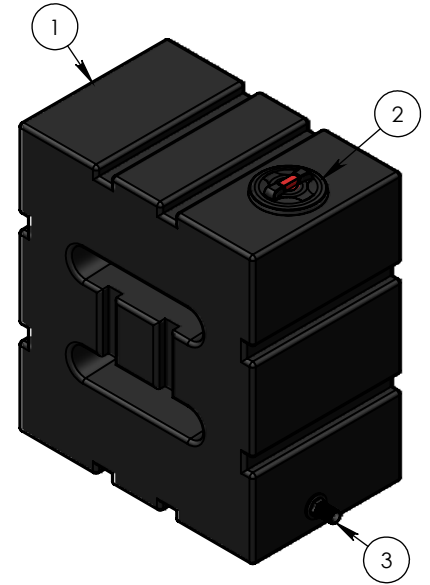
MATERIAL DATA

MATERIALS OF CONSTRUCTION:
 MATRIX REVOLVE N-307. REVOLVE IS A HIGH DENSITY (0.939 g/cm3), LOW MELT (3.5 g/ 10 min) HEXENE POLYETHYLENE GRADE FOR ROTOMOULDING. THE GRADE IS FULLY PROTECTED AGAINST THERMAL AND LIGHT DEGRADATION: N-307 IS UV10 STABILISED.

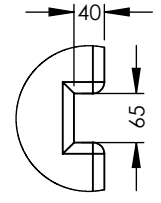
INSPECTION AND TESTING

WORKS TEST: ALL TANKS ARE THICKNESS TESTED BY ULTRASOUND AFTER DEMOULD IN ADDITION AIR SUPPORTED LEAK TEST ARE CARRIED OUT ON FLANGE LINES.

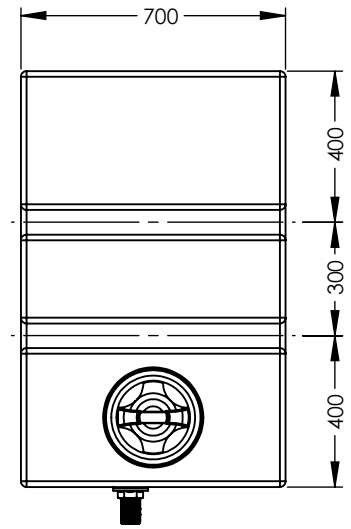
NOTE SECTION



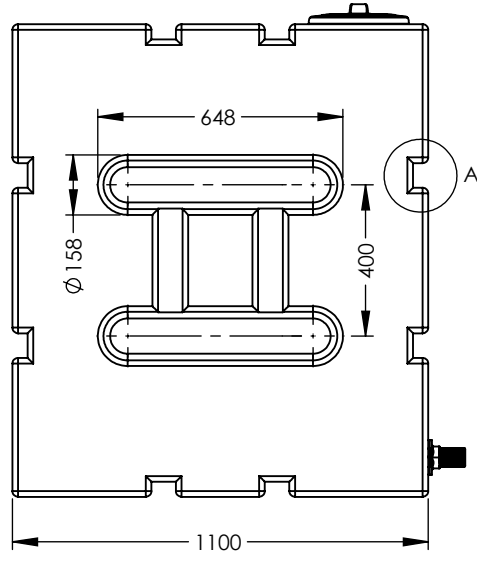
LEFT ISO VIEW
SCALE 1 : 25



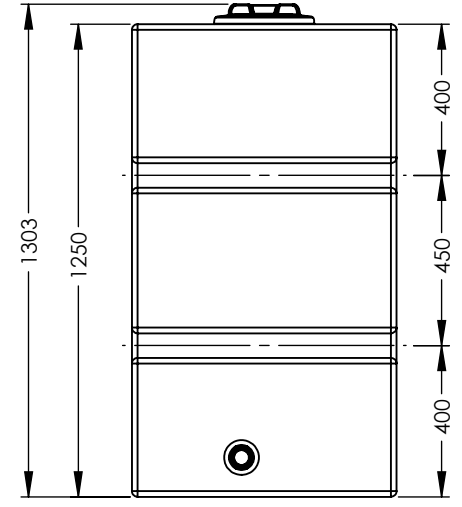
DETAIL A
SCALE 1 : 10



PLAN VIEW



LEFT VIEW



FRONT VIEW

	NAME	SIGNATURE	DATE
DRAWN	LC	L.Crane	04/05/2022
CHECKED			

UNLESS OTHERWISE SPECIFIED:
 DIMENSIONS ARE IN MILLIMETERS
 SURFACE FINISH: MDPE
 TOLERANCES: ±3%



3RD ANGLE PROJECTION

DO NOT SCALE DRAWING REVISION: -

ENDURAMAXX®
 FLUID MANAGEMENT INNOVATION

DWG TITLE:
 800L VERTICAL BAFFLED SLIMLINE TANK -
 STANDARD OUTLET

DWG NO: 171608-B-800-BAFFLED-V A3

SCALE: 1:20 SHEET 2 OF 6