



CAUTION:
Before you set up and operate your Xitrix™ computer, read and follow the safety instructions in your Owner's Manual.



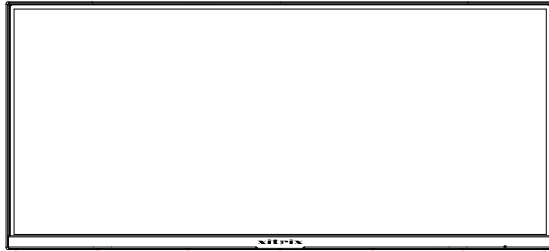
The terms HDMI, HDMI High-Definition Multimedia Interface, HDMI trade dress and the HDMI Logos are trademarks or registered trademarks of HDMI Licensing Administrator, Inc.

PACKAGE INCLUDES

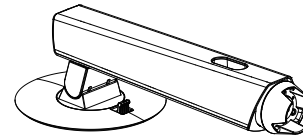


- 1. Monitor
- 2. Back Support
- 3. Base
- 4. Power Adaptor
- 5. Manual
- 6. Screw
- 7. DP Cable

1 Monitor



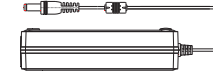
2 Back Support



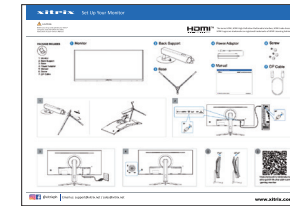
3 Base



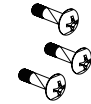
4 Power Adaptor



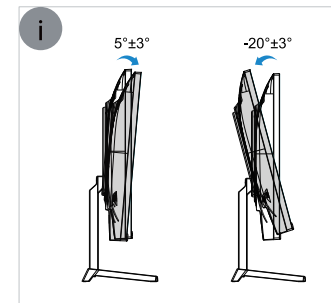
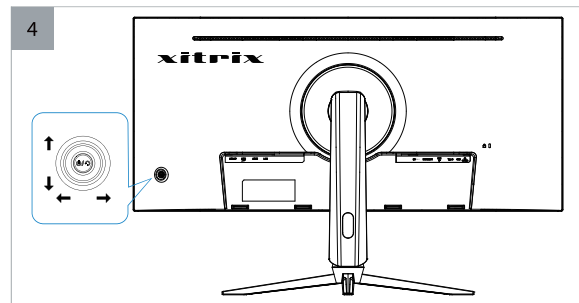
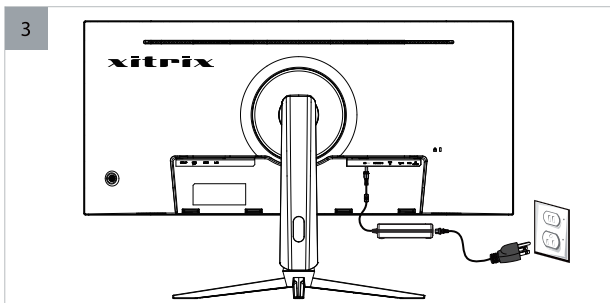
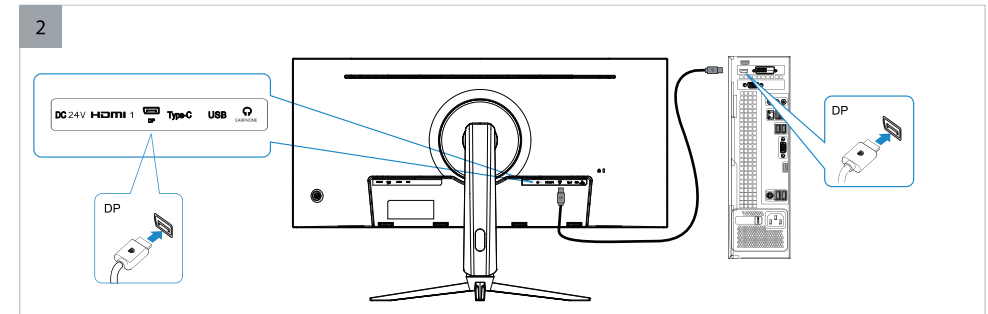
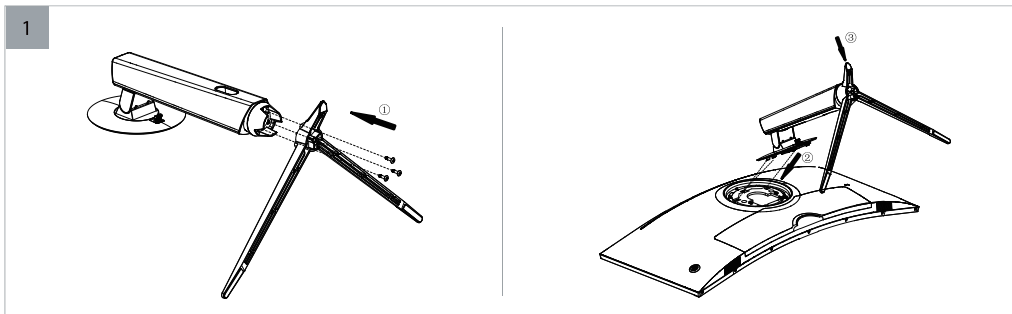
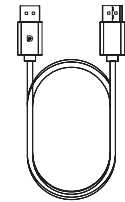
5 Manual



6 Screw



7 DP Cable



PART NO	WARRANTY NO
SYSTEM TAG	SERIAL NO
CHASSIS NO	INVOICE NO
PURCHASE DATE	WARRANTY INFO

WAYS TO CONTACT XITRIX SUPPORT

CARRY IN : 23 Detroit St. Cubao
 Quezon City 1109
 Manila, Philippines

PHONE : (632) 8 721-9999
 FAX : (632) 8 570-8034 to 35
 WEB : <http://www.xitrix.com/support>
 EMAIL : support@xitrix.net

Xitrix Computer Corporation warrants this product in parts and service to be free from any factory defects for a period of 12 months. Should servicing be required, the product must be ship to the factory pre-paid by the customer.

This Standard Warranty does not cover damage, fault, failure or malfunction "due to external causes, including accident, abuse, misuse, problems with "electrical power, servicing not authorized by Xitrix, usage and/or storage and/or installation not in accordance with Product instructions, failure to perform required preventive maintenance, normal wear and tear, act of God, fire, flood, war, act of violence or any similar occurrence; any attempt by any person other than Xitrix personnel or any person authorised by Xitrix, to adjust, repair or support the Products and problems caused by use of parts and components not supplied by Xitrix. The Standard Warranty does not cover any items that are in one or more of the following categories: software; external devices; accessories or parts added to the Product after the Product is shipped from Xitrix; accessories or parts that are not installed in the Xitrix factory; or third party products purchased under Xitrix Software & Peripherals (S&P) Program.

Xitrix Computer Corporation | Warranty Card
 Doc No: CRD-03-02 Rev. 1

WARRANTY DISCLOSURE

- 8.1 Unless specified otherwise, Xitrix warrants to the Customer that Xitrix branded Products (excluding third party products and software), will be free from defects in materials and workmanship affecting normal use for a period of one year from invoice date ("Standard Warranty").
- 8.2 This Standard Warranty does not cover damage, fault, failure or malfunction due to external causes, including accident, abuse, misuse, problems with electrical power, servicing not authorized by Xitrix, usage and/or storage and/or installation not in accordance with Product instructions, failure to perform required preventive maintenance, normal wear and tear, act of God, fire, flood, war, act of violence or any similar occurrence; any attempt by any person other than Xitrix personnel or any person authorised by Xitrix, to adjust, repair or support the Products and problems caused by use of parts and components not supplied by Xitrix.
- 8.3 The Standard Warranty does not cover any items that are in one or more of the following categories: software; external devices; accessories or parts added to the Product after the Product is shipped from Xitrix; accessories or parts that are not installed in the Xitrix factory; or third party products purchased under Xitrix Software & Peripherals (S&P) Program.
- 8.4 During the one-year period beginning on the invoice date, Xitrix will repair or replace Products returned to Xitrix facility. Customer must prepay shipping and transportation charges, and insure the shipment or accept the risk of loss or damage during such shipment and transportation. Xitrix will ship the repaired or replacement products to Customer freight prepaid.
- 8.5 Customer shall back up all data stored in the Products to be shipped and remove any removable media, such as diskettes, CDs, DVDs, or PC Cards from the Products before returning or submitting the Products for repair or replacement. Xitrix does not accept any liability for data or software which is lost, corrupted, deleted or altered during repair. Customer accepts full responsibility for Customer software and data and Xitrix is not required to advise or remind Customer of appropriate backup and other procedures.
- 8.6 Xitrix does not give any warranty that the Products are fit for any particular purpose and this Standard Warranty is given in place of all warranties, conditions, terms, undertakings and obligations ilied by statute, common law, trade usage, course of dealing or otherwise including warranties or conditions of merchantability, fitness for purpose, satisfactory quality and/or compliance with description, all of which are hereby excluded to the fullest extent permitted by law.
- 8.7 The Customer agrees that, in relation to third party products purchased through Xitrix, where such of the Products are covered by a relevant manufacturer's warranty, then the Standard Warranty shall not extend to such Products and such manufacturer's warranty shall be the sole warranty in respect of such Products. The Customer shall utilise that warranty for the support of such Products and in any event not look to Xitrix for such warranty support.

XITRIX LCD PIXEL POLICY

- 9.1 Xitrix has adopted the International Standard (ISO 13406-2) in distinguishing between different types of pixel dots. Each Pixel is made up of a Red, Green, and Blue sub-pixel. When a sub-pixel is fixed in an unchanging state, the visible result is a tiny black, white, or colored spot that appears on screen. There are generally two types of sub-pixel dots namely Bright and Dark sub-pixel.
 - (a) Bright Sub-pixel: A sub-pixel remains permanently lit, resulting in a white or colored dot on a Black background.
 - (b) Dark Sub-pixel: A sub-pixel remains permanently unlit, resulting in a black or colored dot on a White background.
 During LCD manufacturing process, it is not uncommon for one or more sub-pixels to become fixed in an unchanging state. A display with 1 to 5 fixed sub-pixel is considered normal and within industry standards. Xitrix has adopted this international standard and will entertain replacement subject to the terms and conditions as stated in this policy.
- 9.2 Your LCD display is subject for replacement if the LCD is found to have three (3) bright dots within 7 calendar days upon purchase. Refer to Return Policy for detail.
- 9.3 Your LCD display is subject for replacement if the LCD is found to have three (3) dark dots within 7 calendar days upon purchase. Refer to Return Policy for detail.
- 9.4 Combination of bright and dark dots will be considered defective if there are more than five (5) dots. Xitrix has adopted this international standard and Xitrix will therefore entertain these LCD's for outright replacement if the LCD is found to have more than (5) combination of bright and dark dots within 7 calendar days upon purchase. Refer to Return Policy for detail.

RETURN POLICY

- 10.1 Products subject for replacement shall be returned within seven (7) calendar days, and must be returned in its original packaging with all the cables (cable ties intact), manual, and complete accessories. Item shall be unused without any visible damages or scratches on the unit, on original packaging. All plastics and protective coverings must be intact.
- 10.2 Item will be inspected prior to replacement. Xitrix reserves the right to refuse replacement.

Customer Name	Signature	Date
----------------------	------------------	-------------