

xitrix

XPN-DS5530

LED TV



User's Manual




Please read this manual carefully for proper usage before installation and use. It is recommended to keep this manual properly for future check. The pictures in this manual are only for reference.


Contents

| | |
|--|----|
| Safety Warning and Notice | 1 |
| Mounting and Connecting | 3 |
| Packing List..... | 3 |
| Mounting the TV set..... | 3 |
| Connecting peripheral equipment..... | 3 |
| Panel Control Keys | 5 |
| Remote Control | 6 |
| Basic Operations | 7 |
| Turning on/Standby..... | 7 |
| Signal source selection..... | 7 |
| Menu operation description..... | 7 |
| Program scanning..... | 8 |
| Instructions for Intelligent Platform Operation | 8 |
| Basic Operations..... | 8 |
| Quick Start..... | 8 |
| Smart Applications..... | 8 |
| Network Settings..... | 9 |
| Important Statement on Network Services | 10 |
| Troubleshooting | 11 |
| Technical Specifications | 12 |
| Base Installation Instructions | 13 |

Safety Warning and Notice

Thanks for choosing the high-performance and multifunctional intelligent LED TV with LED backlight produced by our company. This precious thing will bring you better audiovisual enjoyment. The design of this product has given consideration to factors affecting personal safety, and the product itself has gone through strict tests prior to delivery. However, improper operation may result in electric shock and fire disaster. To ensure safety, prolong the service life of this product, and make sure the best performance of this product can be given full play to, please read the manual and marking label carefully before using it and comply with the following safety instructions. Please keep the user manual for later use.

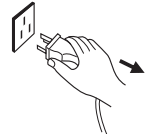
| | | |
|---|------------------|--|
|  | Warning | May result in casualties |
|  | | Indicate the behaviors that must be prohibited |
|  | Attention | May result in personal injury or property losses |

| | |
|---|--|
|  | Indicate the operations that must be performed |
|---|--|

Under Following Conditions

- Power failure or unstable voltage.
- Abnormal sound or smell from the device.
- AC power cord is damaged.
- TV set is damaged due to falling off, knock or impact.
- Any liquid or foreign matters enter into the TV set.


Turn off the TV set immediately, unplug the power cord from the power outlet, and contact authorized maintenance personnel.







- **If coal gas or other flammable gases leak, do not unplug the power cord of the TV set or other electric appliances; instead, close the valve of the gas immediately and open the doors and windows.**



Warning

-  ● Only use 100-240VAC, 50/60Hz power supply.
- This TV must be connected to a three pin socket outlet for safety.
- All cables can be connected or pull out only after power supply is turned off.
- Do not fix the TV set on instable position, or else it may cause falling off, damage, or even fire.
- Do not put the TV set in the environment:
 1. With direct sunshine, moisture, overheating, undercooling or heavy dust;
 2. With flammable or explosive substance;
 3. With flammable or corrosive gas;
 4. In bathroom, kitchen, etc.
- Do not use damaged or improper power socket, and ensure that the plug and socket are connected properly.
- Keep the power plug and socket free of dust and metal pieces.
- Do not damage the power cord:
 1. It is prohibited to refit the power cord;
 2. Do not put heavy object on the power cord;
 3. Keep the power cord away from heat source;
 4. Do not drag the power cord when unplugging.

 **Warning**

-  ● Do not connect too many appliances to one power strip, or else it may cause fire due to high power consumption.
 - Do not let open flame (e.g. lit candle) approach the TV set, or else it may cause electric shock or fire.
 - Do not put the container filled with water on the TV set, to avoid electric shock or fire caused by water drop of splashing.
 - Do not penetrate any sharp object, metal or liquid into the signal connector or air vents, to avoid short circuit and product damage as well as electric shock.
 - The slots on the case is designed to release heat so as to assure that all inside components will not reach an extra high temperature and can work normally for a long time. Please do not cover the holes while place it.
-  Do not touch the plug with wet hands, or else it may cause electric shock.
-  Do not turn on the TV set in thunderstorm weather; instead, unplug the power plug and antenna connector to avoid lightning strike.
-  Do not disassemble the TV set by yourself, or else it may cause electric shock or fire. Contact qualified personnel for maintenance.

 **Attention**

- Do not let children climb onto the TV set.
- Keep the small accessories away from children's reach to avoid swallowing.
- If the TV set won't be used for a long time, please turn off the device and unplug the power cord.
- Before cleaning the TV set, unplug the power cord and wipe with soft cloth; do not use chemical reagents and avoid foreign substances entering into the device. The incorrect cleaning (such as cleaning fluid, water, etc) may lead to damage of product's appearance, erasing products printing information, even flow into the machine and damage components, cause machine can not display.

 **Attention**

- To adjust the position or angle of the TV set, please disconnect all wires and move slowly to avoid falling off.
- Do not rub with hard object, knock at, bend or squeeze the screen.
- Do not use machine immediately after transferring machine to the places with high temperature from low temperature, which will cause fogging inside machine and failures.
- If the screen is broken and the liquid splashes on skin, please wash with clean water immediately for 15 minutes, and go to see your doctor.
- To carry the TV set with hands, please grasp the corners and hold the bottom; do not apply force on the panel.
- Displaying the same image for a long time or active image with fixed words, icons will leave "image persistence" on screen which will not disappear after powering off for a long time. This undesirable phenomenon is not covered by warranty.
- Healthy TV watching:
 1. Watch in appropriate light; poor light or long time watching may hurt your eyes.
 2. Adjust the volume appropriate to avoid hurting your hearing.
- Unplug the power cord of the device to cut off the power supply.
- If a power plug or appliance coupler is used as disconnecting device, it should ensure easy operation.
- Power plug shall be connected reliably. Loose power plugs may cause sparkle and fire.
- All the technical specifications in the user's manual and on the packaging are subject to changes without prior notice. If there is slight deviation between the user's manual and actual operation, the latter shall prevail.

Mounting and Connecting

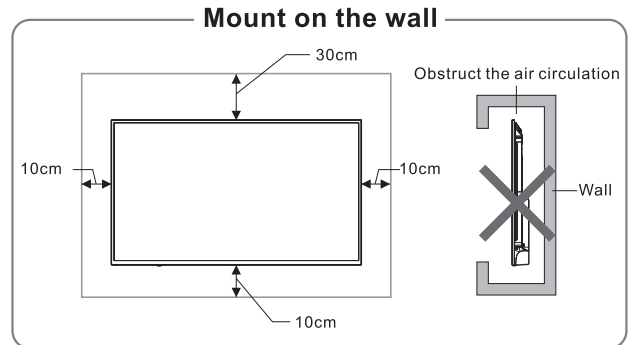
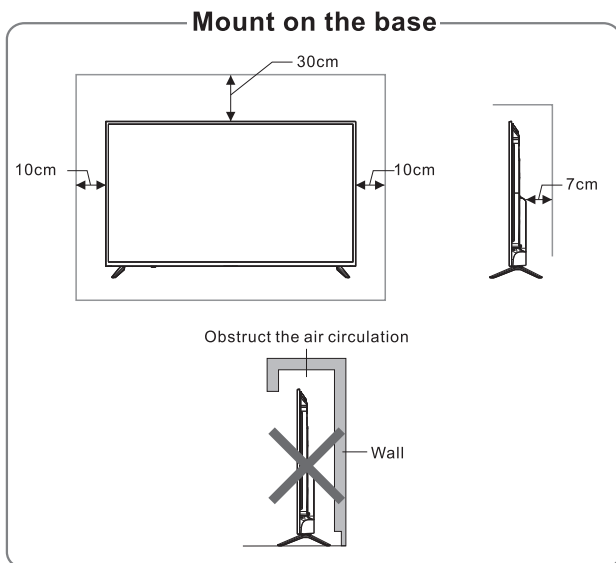
Packing list

1. The TV set.
2. User Manual.
3. Remote control.
4. Power cord (or attached to TV set).

Mounting the TV set

Tips on Installation

- The TV set should be mounted near the AC power socket for easy plugging and unplugging.
- For your safety, please select appropriate wall mount bracket or base.
- To avoid hurt, it is required to place the TV set on stable plane, or fix on firm wall.
- Ask qualified personnel to mount the TV set on the wall. Improper mounting may result in instable TV set.
- Do not place the TV set at any place susceptible to mechanical vibration.
- Do not place the TV set at any place that insects may enter.
- Do not mount the TV set against air conditioner, or else the internal panel of the display may condense moisture and cause failure.
- Do not place the TV set at any place with strong magnetic field, or else it may be interfered with and damaged by electromagnetic wave.



Ventilation

- Please keep this space at least around the TV, as shown in the figure.
- Do not cover the air vents or insert any object into the enclosure.
- Do not put the device in limited space, e.g. bookcase or embedded closet, unless the TV set is properly ventilated.

Warning

Never place a television set in an unstable location. A television set may fall, causing serious personal injury or death. Many injuries, particularly to children, can be avoided by taking simple precautions such as:

- Using cabinets or stands recommended by the manufacturer of the television set.
- Only using furniture that can safely support the television set.
- Ensuring the television set is not overhanging the edge of the supporting furniture.
- Not placing the television set on tall furniture (for example, cupboards or bookcases) without anchoring both the furniture and the television set to a suitable support.
- Not placing the television set on cloth or other materials that may be located between the television set and supporting furniture.
- Educating children about the dangers of climbing on furniture to reach the television set or its controls.

If your existing television set is being retained and relocated, the same considerations as above should be applied.

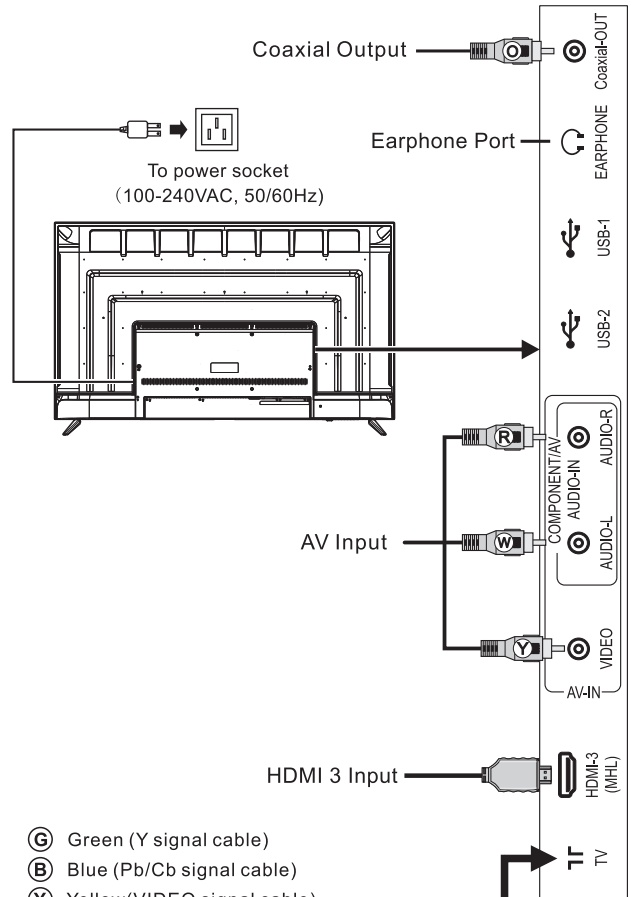
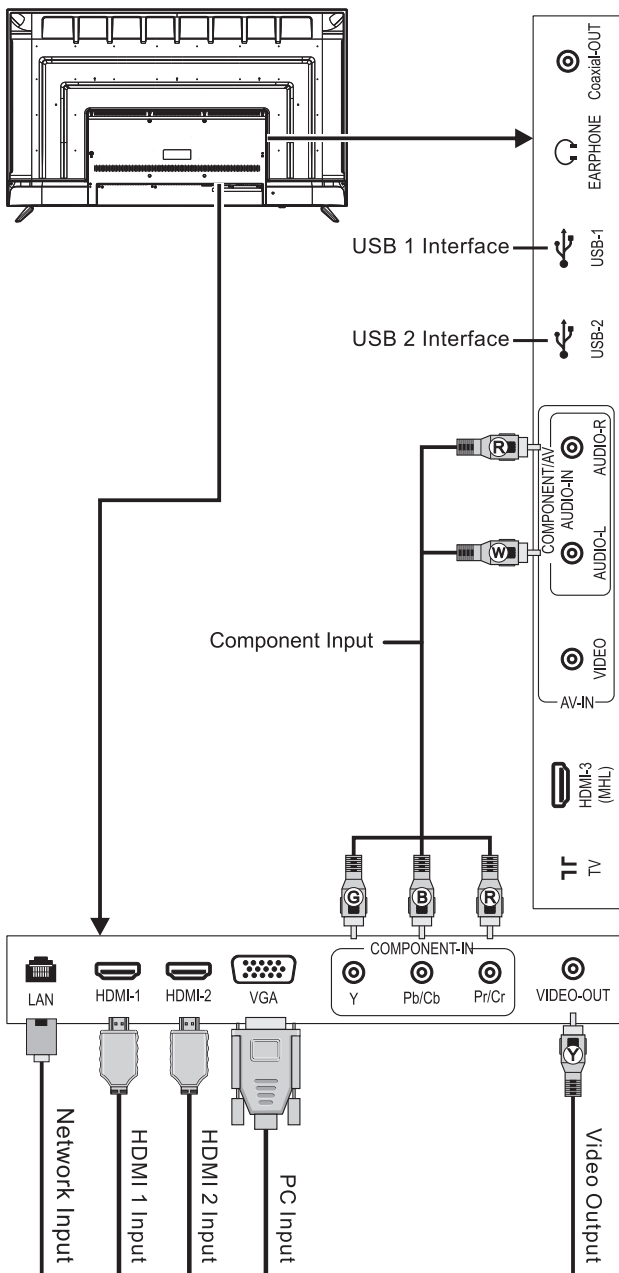
Connecting peripheral equipment

Remark:

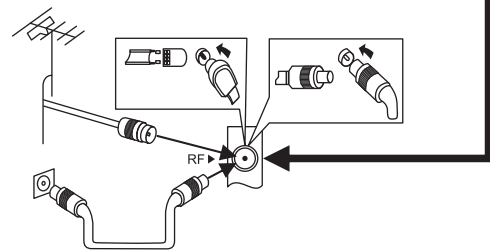
1. When connected to equipment with MHL function, please select HDMI3 as input signal source.
2. USB interfaces support peripheral equipment,

including USB camera, USB mass storage device, USB mouse, keyboard, etc.

3. AV and COMPONENT share same audio input interface.
4. HDMI connector can realize DVI connector function with external HDMI/DVI commutator.
5. The peripheral equipment and cables described in this manual should be purchased separately.



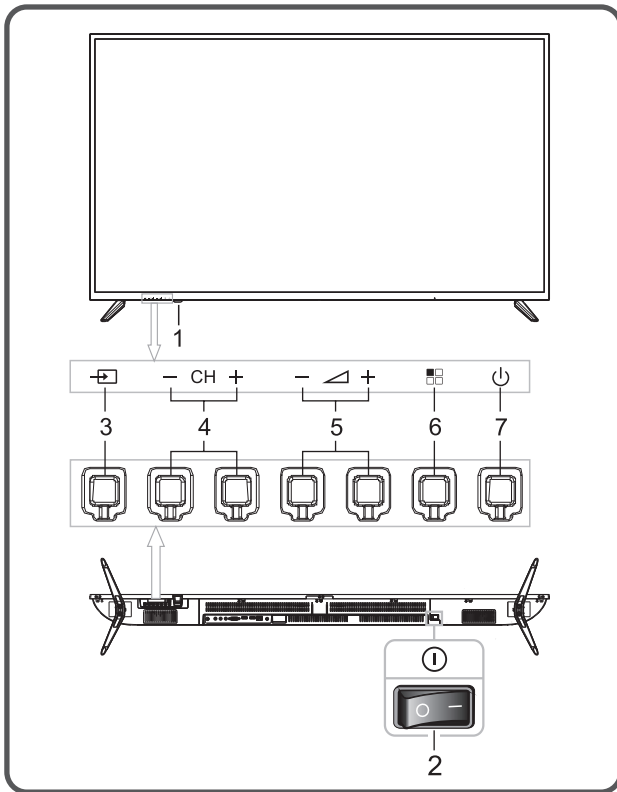
- ⓐ Green (Y signal cable)
- ⓑ Blue (Pb/Cb signal cable)
- ⓒ Yellow (VIDEO signal cable)
- ⓓ White (AUDIO-L signal cable)
- ⓔ Orange (Coaxial signal cable)
- ⓕ Red (AUDIO-R and Pr/Cr signal cables)



Warning

When connecting outdoor antenna to signal port of the TV set, please turn off the main power switch of the TV set first. Do not approach the outdoor antenna to high voltage mains power line to avoid electric shock. The wired network antenna connected to this TV set must be isolated from the protective grounding, or else it will cause fire or other hazards.

Panel Control Keys



- 1) Power LED indicator and remote receiving window.
- 2) ① Power switch(optional): press "I" end to turn power on, and press "O" end to turn power off.
- 3) **SOURCE** (→): Press this key to enter the menu to select signal source; during OSD menu operations, press this key to confirm the operation, with the same function as the [OK] key on the remote control.
- 4) **CH-/CH+** (← CH →): Channel down/up key; during OSD menu operation, press the keys to select items, with the same function as the [▼]/[▲] key on the remote control.
- 5) **VOL-/VOL+** (← ▽ →): Volume down/up key; during OSD menu operation, press the keys to adjust the analog value, with the same function as the [◀]/[▶] key on the remote control.
- 6) **MENU** (■): Press this key to show the setup menu.
- 7) ⏻ Standby: To switch the TV on or back to standby.

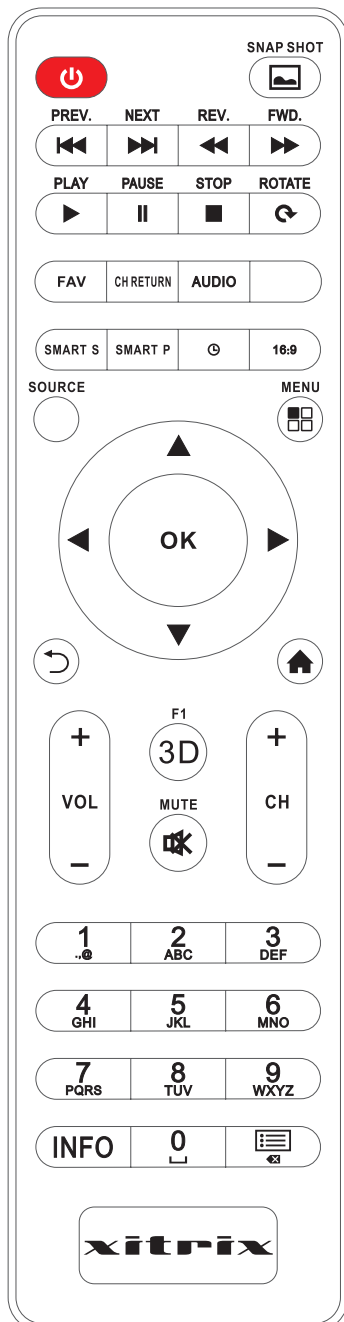
Remark:

- ①. The appearance varies depending on the model, and the actual product shall prevail.
- ②. In smart mode, please operate with the remote control.

Remote Control

Method for Installation of Remote Control Battery

Remove the battery compartment cover and insert two AAA (No. 7, 1.5V) batteries; make sure the polarity of the batteries is in compliance with the polarity mark "+" and "-" in the battery compartment of the remote control.



Keys of the Remote Control

Note: The appearance of the remote control may be different from this diagram; please refer to the real object as standard.

| Keys | Function |
|-----------------------|--|
| Power(⏻) | Switch between working and standby status. |
| SNAPSHOT(📷) | Capture the screen. |
| MUTE(🔇) | Turn on/off the sound. |
| Number keys | Select the channel or input numbers. |
| F1(3D) | Turn on/off still image in TV mode. |
| Program list(☰) | View program list. |
| Home(🏠) | Show the home page of smart TV. |
| MENU(☰) | Show the OSD menu. |
| Cursor keys (⏪/⏩/⏴/⏵) | Select items or adjust values. |
| VOL+/- | Turn up/down the volume. |
| Return(↶) | Return to previous page. |
| SOURCE | Select the signal source. (only in TV mode) |
| CH+/- | Change program channel. |
| SMART S | Select the TV audio mode. |
| Sleep(⏻) | Set the sleep time, and the device will switch to standby automatically at specified time. |
| INFO | Show the information of the TV program. |
| 16:9 | Switch the aspect ratio. |
| SMART P | Select the TV image mode. |
| FAV | Show the list of favorite TV channels. |
| CH RETURN | Return to last TV channel. |
| AUDIO(optional) | Select NICAM mode. |
| OK | Confirm the operation. |
| PLAY(▶) | Used for operations of multimedia functions in smart mode. |
| PAUSE(⏸) | |
| STOP(■) | |
| ROTATE(🔄) | |
| PREV.(⏮) | |
| NEXT(⏭) | |
| REV.(⏪) | |
| FWD.(⏩) | |

Precautions for using the remote control

- The remote control should be pointed at the remote control sensor during operation. An object placed between the remote control and the remote control sensor may impede normal operation.
- The remote control should be prevented from strenuous vibration. Besides, please do not set or place the remote control under direct sunshine, as heating power may result in deformation of the remote control.
- Remote control failure may occur when the remote control sensor of the main unit is under direct sunshine or strong lighting; in this case, please change the angle of lighting or this TV set, or operate the remote control near the remote control sensor.
- Low battery will influence the remote control distance, in which case, the battery should be replaced with a new one. If the remote control is going to be idle for a long time or the battery runs out, please take the battery out to prevent the remote control from being corroded by battery leakage which may result in damage and failure of the remote control.
- Please do not use batteries of different types. It is not allowed to use old and new batteries together; the batteries should be replaced in pair.
- Please do not throw the batteries into fire or charge or decompose the batteries; do not charge, short-circuit, disassemble/assemble, heat or burn used batteries. Please dispose the waste batteries pursuant to relevant regulations on environmental protection.

Basic Operations

Remark:

1. The keys operation refers to remote control operation, for panel control keys operation please refer to "**Panel Control Keys**" operation explanation.
2. The menu operation instruction in this manual is explained according to TV mode. The operations in other modes are similar to the TV mode. Users can take it as reference.
3. Before power-on platform, please make sure that the power supply is stable.

Turning on/Standby

Connect the power supply, and press [⏻] button on the TV to power on the TV set (If it doesn't have this button, you needn't operate this step), then press [⏻] key to turn on the TV.

In power on state, press [⏻] key to switch to standby mode.

★ **Special Tips:** This device adopts energy saving technology. If there is no signal input in power on state, it will enter standby state automatically in five minutes; The device will enter standby state automatically at specified sleep time;

Signal source selection

You can connect various devices to the TV set and view high quality images. If the video device has HDMI, YPbPr, AV, PC and other video output ports. You can select one of them and connect to corresponding input ports of the TV set. After connected, turn on the device, and press [SOURCE] key to show the "Signal source" menu on the screen; press [▲]/[▼] key to select a signal source. Press [OK] key to switch to the selected signal source.

Menu operation description

Press [MENU] key to show the main menu on the screen:

1. Press [◀]/[▶] key to select a menu from **Picture, Sound, Channel, Setting**.
2. Press [▲]/[▼] key to select an item in the menu.
3. Press [OK] key to enter the submenu.
4. Press [◀]/[▶] key to adjust the value or setting.
5. When the main menu shows on the screen, press [↵]/[MENU] key to exit the main menu.

6. During menu operation, the icons of invalid options will change into grey.

Program scanning

Tune the programs before watching the TV for the first time. Before tuning, please make sure that the antenna has been connected properly.

Auto Tuning

Select **Channel > Auto Tuning**, then press [OK] key to start automatic tuning. The scanned TV channels will be saved automatically. (In the process of tuning, you can press [↵]/[MENU] key to exit **Auto Tuning**). After auto tuning, the channels will be listed by the frequency, and the original list will be covered.

Manual Tuning

Select **Channel > Manual Tuning**, and then press [OK] key to enter the submenu. In this submenu, press [▲]/[▼] key to select **Search**, and then press [◀]/[▶] key to start tuning from low frequency or high frequency (In the process of tuning, press [↵]/[MENU] key to interrupt the tuning).

Instructions for Intelligent Platform Operation

Basic Operations

Press [▲] key to show the home page.

1. Press [▲]/[▼]/[◀]/[▶] key to select an application;
2. Press [OK] key to run the application;
3. Press [↵] key to return to previous page;

★ Special Tips

The operations in smart mode are complicated. The user can install Apps with different operation methods, and the operations described in this manual are for reference only. Certain functions are invalid from the remote control. For more convenient operation, please operate with USB mouse and keyboard.

Quick Start

Before using this device, please get familiar with the operations below for better experience.

Mouse Control

1. Click: Click the mouse and release immediately;
2. Press and hold: Click the mouse and hold for at least three seconds;
3. Clicking the left mouse key has the same effect as pressing [OK] key on the remote control;
4. Clicking the right mouse key has the same effect as pressing [↵] key on the remote control.

Language input setting (IME)

Language: In the smart mode, select the system language. Select **Settings > Language & input > Language**, and press [OK] key; press [▲]/[▼] key to select the desired language, and then press [OK] key.

Selecting Input Method: In the smart mode, select **Settings > Language & input > Default**, and press [OK] key; choose input method in the sub-menu; you can also download and install third party input method.

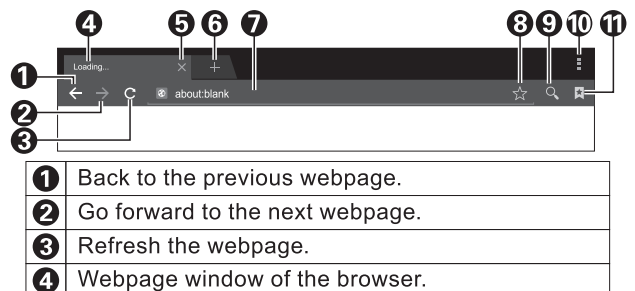
Setting System Time: In the smart mode, select **Settings > Date & time > Automatic data & time**, press [OK] key and the system update the clock from the network automatically; if the TV set isn't connected to the network, you can only set the system time manually.

Screenshot: Before screen shooting, please insert the USB mass storage device into the USB interface, and press [SNAPSHOT] key. After screen shooting, the pictures are saved in the ".\Pictures\Screenshots" folder in the USB mass storage device.

Smart Applications

Browser: You can use the browser to show the text, video, audio and other information on the Internet.

Before accessing the Internet, please connect your TV set to the Internet; refer to "**Network Settings**" for details.




| | |
|----|-----------------------------------|
| 5 | Close the current webpage window. |
| 6 | Add a new webpage window. |
| 7 | Input box for URL. |
| 8 | Option for adding a bookmark. |
| 9 | Input option of URL. |
| 10 | Menu option of browser. |
| 11 | Option for viewing bookmark. |

■ How to access web address?

Press [▲]/[▼]/[◀]/[▶] key to select the address bar, and type the web address in the address bar, then select the **Go** icon in the input method, and press **OK** key to access the web address.

■ How to save a page in the Bookmark?

Select the  icon the browser interface, and press **OK** key to enter the browser tab and web address. Select **Account**, and press **OK** key. Press [▲]/[▼] key to select the account for storage, and then press **OK** key. Select **OK**, and then press **OK** key to add the bookmark.

■ How to copy and paste the text in the web page?

Place the cursor on the text to copied, press and hold the left mouse key. When the pair of selecting cursors appears on the screen, drag the cursor to select the text. Select **Copy** on the screen, and click the left mouse key. Select the target position, press and hold the left mouse key, and click **Paste** in the popup dialog box.

E-mail: You can log in private or business e-mail account, and receive and send e-mail.

Apk Installer: The **Apk installer** helps users manage applications, and allows users to install or uninstall apps in local disk.

Note: Select **Settings** > **security** to enable/disable

Allow installation apps from unknown sources.

■ How to install an application? Select

All Apps then Enter **Apkinstaller**, select **Install** and press **OK** key to enter; Select the path of the target installation file in local disk, locate the installation package in the right panel, and then press "OK" key.

■ How to uninstall an application?

Select **Manage**, and press **OK** key to enter. Select the application to be removed, and press **OK** key. Select **Uninstall**, click **OK** key, and the system will uninstall the application automatically.

Multimedia Player: In smart mode, select **Multimedia** in the main interface, and press **OK** key to run. Select the file type from **all**, **picture**, **song** and **video** in the left.

■ **Playing Files in local disk device:** Before playing files in the local disk, insert the USB mass storage device into the USB interface.

Select local disk device, and press **OK** key to enter. Select **back** in the directory, press **OK** key to return to previous folder. Select the target folder, press **OK** key to enter the folder, and press [↵] key to return to the desktop.

Attention:

1. Nonstandard USB devices can't be recognized probably; in this case, please replace a standard USB device;
2. The stream media system has certain restriction on the format of files; the playing will be abnormal if it is out of the system restriction;
3. Do not remove the USB device while playing, or else the system or device may have problem; Before replace the USB device, please turn off the machine's power supply;
4. The system supports standard USB1.1, USB2.0 devices, such as USB mass storage devices and removable hard disks;
5. The maximum output current of the USB port of this device is 500mA, and the self-protection will be enabled if it is beyond this limit; please use external power supply if an external device of higher current will be connected;
6. The system is complicated; when it is reading or playing files, the screen may be still or certain functions may be invalid due to the compatibility and stability of the USB device; in this case, please turn off the device and re-initialize the system.

While playing, press **INFO** key to display or hide toolbar; select an icon, and press **OK** key to perform the operation; you can press [↵] key to exit playing, or press [▶],[||],[■],[◀],[▶▶] keys on the remote control to perform shortcut operation.



Network Settings

Manage Networks: In smart mode, select **Settings**, and press **OK** key to enter.

■ **Ethernet Setting:** Before using wired network, connect one end of the network cable to the network interface of the TV set, and connect the other end to the router.

1. Select <...>**Ethernet** , and press [▶] key to enter;
2. If the router setting enables obtaining IP address automatically, select **Proxy & IP settings > IP settings > DHCP** , press [OK] key, and your TV will obtain the IP address automatically. If the router disables obtaining IP address automatically, you can connect to the network in the following steps;
3. Select **IP address**, and assign a valid IP address for the device;
4. Select **Gateway**, and assign a valid gateway for the device;
5. Select **Network prefix length**, and assign a Network prefix length for the device;
6. Select **DNS1** and **DNS2**, and assign a valid DNS server address for the device;
7. Select **Set**, press [OK] key, and the system prompts setup is successful.

■ Wireless setting

1. Select **Wi-Fi**, and press [▶] key to enable wireless network. If the scanned network has the  icon, it doesn't require password to connect; if the scanned network has the  icon, you need to enter the valid password to access the network;
2. Select a network in the list, and press [OK] key;
3. Select **password**, type the password in the input box, select connect, and press [OK] key;
4. If the router setting enables obtaining IP address automatically, select **Show advanced options > IP settings > DHCP**, press [OK] key, and your TV will obtain the IP address automatically. If the router disables obtaining IP address automatically, you can connect to the network in the following steps;
5. Select **IP address**, and assign a valid IP address for the device;
6. Select **Gateway**, and assign a valid gateway for the device;
7. Select **Network prefix length**, and assign a Network prefix length for the device;
8. Select **DNS1** and **DNS2**, and assign a valid DNS server address for the device;
9. Select **Connect**, press [OK] key, and the system prompts setup is successful.

■ **PPPOE**: In this option, connect the TV set to ADSL modem directly through network cable, and network dial-up can be achieved without router adaption.

1. Select **PPPOE settings** in the menu of <...> Ethernet;

2. Enter the username acquired from the network operator;
 3. Enter the password acquired from the network operator;
 4. Select **Connect** and press [OK] key.
- **Hotspot (Wi-Fi)**: In this option, the TV set will be set as the hotspot of wireless network.
1. Select **More> Portable hotspot**, and press [OK] key to enable this function. You need to close Wi-Fi before you use Wi-Fi hotspot.
 2. Select **Set up Wi-Fi hotspot**, and press [OK] key;
 3. Enter the network SSID in the text box; the default name is "AndroidAP"; you can also change the name;
 4. Select **Security**, and press [▲]/[▼] key to select the security type; if the open network doesn't require password; however, any network device that scans your network can access to the Wi-Fi network; if you select WPA PSK/WPA2 PSK encryption, you need to enter a password at least 8 digits; when other devices scan the open Wi-Fi network, the system will ask to enter the valid password;
 5. Select **Show password**, and the system will assign a password automatically, or you can enter a private password;
 6. Select **save**, press [OK] key to save the settings, and other devices in the area can scan you network when scanning Wi-Fi network.

Remark: Please set a strong password.

Important Statement on Network Services

All contents and services obtained from this TV set belong to the third party and are protected by laws on copyright, patent right, trademark right and/or other intellectual property right. The said contents and services are only for your non-commercial purposes. It is not allowed to use any content or service without the authorization of the content owner or the service provider.

Our company will undertake no liability for any direct, indirect and accidental losses or damages caused by your or a third party's access to any content or service or any information or any third party

software through this set under any circumstances.

Third party service may be changed, deleted or stopped without prior notice. Our company neither implies nor guarantees the continuous availability of some service or content within any period of time.

Our company is not held responsible for services related to the said service and content. Besides, we will not bear any liability for client service. Please directly contact relevant content and service providers if you have any problem and service request concerning relevant service or content.

Troubleshooting

- **Snowflake spots occur in the TV images and there is noise in accompanying sound.**

 1. Check if the antenna plug is loose or the cable is in good condition.
 2. Check the antenna type (VHF/UHF).
 3. Adjust the direction and position of the antenna.
 4. Try to use signal enhancer.
- **There is neither display nor sound on the screen. The indication light is not on.**

 1. Check if the power line is connected.
 2. Press the "Ⓢ" button on the TV set.
- **Dotted line or strip disturbance occurs in TV images.**

Do not use electric hair dryer aside the TV set and adjust the antenna direction to reduce disturbance.
- **Double images occur on the TV screen.**

 1. Use high oriented antenna.
 2. Adjust the direction of the antenna.
- **The images are colorless.**

Enter "Picture" setting to increase color saturation.
- **The TV has no accompanying sound.**

 1. Adjust the volume to a proper degree.
 2. Press [MUTE] key on the remote control to cancel mute mode.
- **There is no display on the PC, with the prompt of "NO SIGNAL".**

Check if the signal connecting cable is loose or falls off. Reconnect it.
- **Images displayed on the PC deviate. The screen is not full or is exceeded. The display is fuzzy.**

 1. Use automatic adjustment function.
 2. Enter "PC Image Mode" adjustment level or vertical position.
 3. Use the recommended mode.
- **The remote control distance is short or out of control.**

 1. Remove the object to avoid blocking the remote control receiving window.
 2. Replace the battery.
- **The browser cannot access any link.**

 1. Ask the network administrator to obtain available IP address and other parameters.
 2. Check if the network connecting cable is normally connected.
 3. Consult the network service provider.
- **Online video play is very slow.**

 1. Please upgrade your network bandwidth to a higher one.
 2. Please try to replace with other addresses to obtain better resources.
- **Machine is slow, system crash, can't operate the machine.**

Disconnect the power supply first, and connect the power supply after about 1-2 minutes, then turn on the TV again.

Technical Specifications

Master unit

| | |
|------------------------------|--------------------|
| Max. Resolution | 3840×2160 |
| Power Supply | 100-240VAC 50/60Hz |
| Power Consumption of Speaker | 8W+8W |
| Operating environment: | |
| Temperature | 5°C~40°C |
| RH | 20%~80% |
| Atmospheric pressure | 86kPa~106kPa |
| Storage environment: | |
| Temperature | -20°C~55°C |
| RH | 20%~80% |
| Atmospheric pressure | 86kPa~106kPa |

Dimension (L×W×H) and Weight

55"

| | |
|----------------|---|
| Excluding base | Unpacking: 1241×83×720(mm ³) |
| Including base | Unpacking: 1241×261×776(mm ³) |
| | Packing: 1347×141×814(mm ³) |
| | Net Weight: 12.9kg |
| | Gross Weight: 15.2kg |

Technical specifications for TV

- Supported standard:
ATV: PAL+NTSC+SECAM;
DTV: DTMB.
- Antenna input: 75Ω coax, unbalanced.
- AV video input: 75Ω, 1±0.1Vp-p, RCA terminal.
- AV audio input: 20KΩ, 0.2~2Vrms.
- HDMI video input: 480i, 480P, 576i, 576P, 720P, 1080i, 1080P, 2160P.
- Specific internal memory capacity in accordance with actual configuration.
- Specific cache capacity in accordance with actual configuration.

Power management

| Mode | Power Consumption |
|----------------|-------------------|
| Normal working | ≤155W |
| Standby | ≤0.5W |

HDMI display mode

| Video mode | | | |
|------------|------|--------------|--------------|
| NO. | Mode | Resolution | Refresh rate |
| 1 | SD | 720×480i/p | 60Hz |
| 2 | | 720×576i/p | 50Hz |
| 3 | HD | 1280×720p | 50Hz |
| 4 | | | 60Hz |
| 5 | FHD | 1920×1080i/p | 50Hz |
| 6 | | | 60Hz |
| 7 | UHD | 3840×2160p | 24Hz |
| 8 | | | 25Hz |
| 9 | | | 30Hz |
| 10 | | | 50Hz |
| 11 | | | 60Hz |

Remark: Under UHD mode, 50Hz and 60Hz refresh rate is effective only under HDMI version 2.0.

| VESA mode | | | |
|-----------|-------|------------|--------------|
| NO. | Mode | Resolution | Refresh rate |
| 1 | VGA | 640×480 | 60Hz |
| 2 | SVGA | 800×600 | 60Hz |
| 3 | XGA | 1024×768 | 60Hz |
| 4 | SXGA | 1280×1024 | 60Hz |
| 5 | WXGA | 1600×900 | 60Hz |
| 6 | WUXGA | 1920×1080 | 60Hz |
| 7 | 4K | 3840×2160 | 30Hz |
| 8 | | | 60Hz |

Remark: Under 4K mode, 60Hz refresh rate is effective only under HDMI version 2.0.

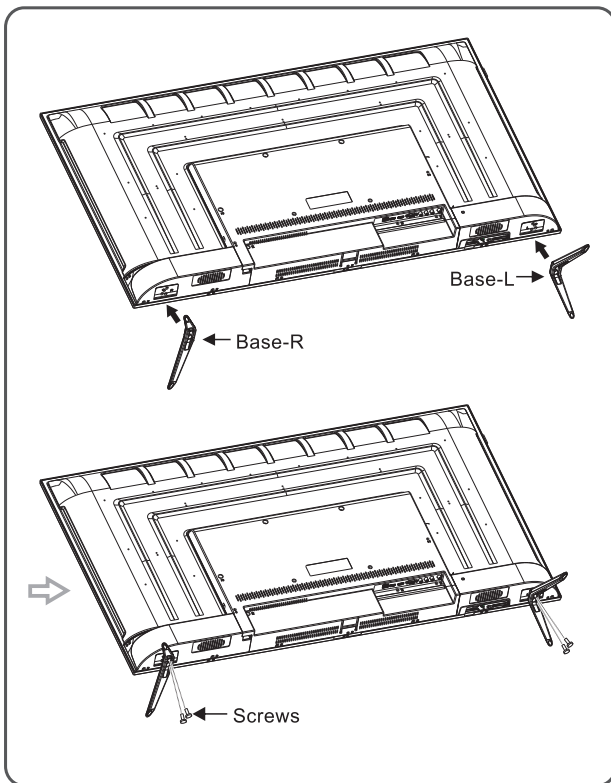
VGA display mode

| NO. | Mode | Resolution | Refresh rate |
|-----|-------|------------|--------------|
| 1 | VGA | 720×400 | 70Hz |
| 2 | | 640×480 | 60Hz |
| 3 | SVGA | 800×600 | 60Hz |
| 4 | XGA | 1024×768 | 60Hz |
| 5 | | 1280×720 | 60Hz |
| 6 | SXGA | 1280×1024 | 60Hz |
| 7 | WXGA | 1360×768 | 60Hz |
| 8 | | 1600×900 | 60Hz |
| 9 | WUXGA | 1920×1080 | 60Hz |

Recommended mode: 1920X1080@60Hz

Base Installation Instructions

Put machine flat first, distinguish left and right base and base installation front and back direction, then install base in bottom of machine back cover as arrow direction in figure, align positioning hole/column of top base and positioning column/hole of bottom of machine back cover, align screw holes, then fasten screws (notice that base module has to be adjusted at figure status, otherwise it cannot be installed in.)



Remark: The actual base and machine appearance may be different from pictures; please refer to the actual device.



The terms HDMI and HDMI High-Definition Multimedia Interface, and the HDMI Logo are trademarks or registered trademarks of HDMI Licensing Administrator, Inc. in the United States and other countries.



This product qualifies for ENERGY STAR in the "standard" mode and this is the setting in which power saving will be achieved. Changing this mode under picture settings or enabling other features will increase power consumption that could exceed the limits necessary to qualify for ENERGY STAR rating. For more information on the ENERGY STAR program, please refer to www.energystar.gov.

