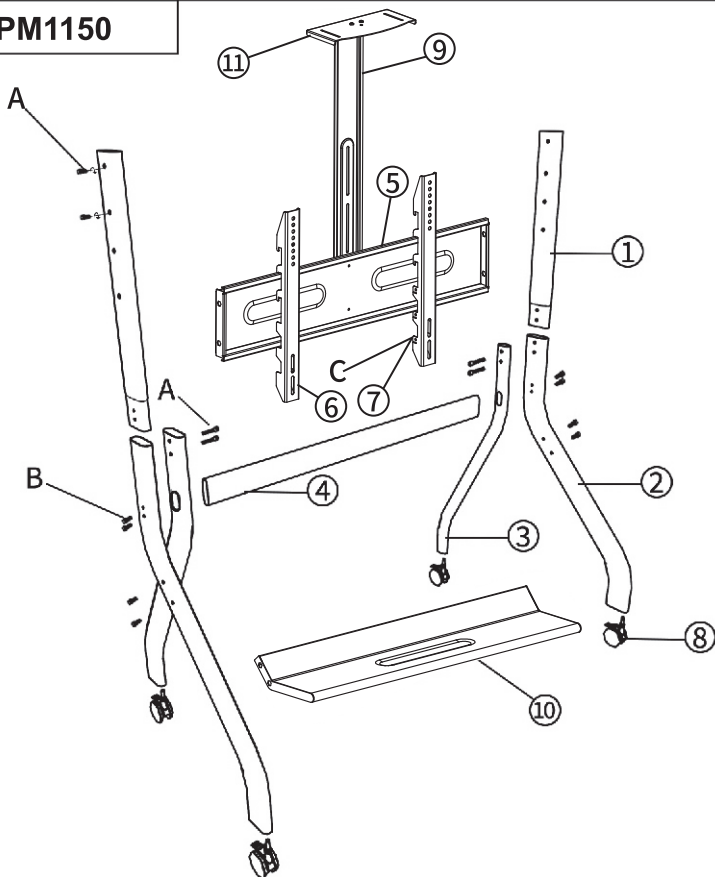








# XPN-PM1150

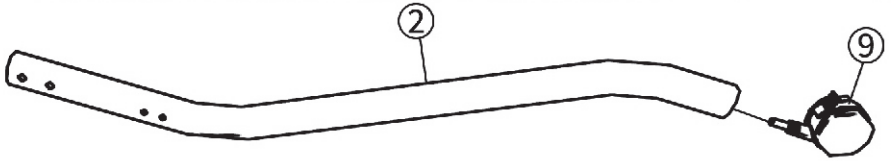


No.	Name	#	Note
1	Upper Long Leg	2	Left & Right
2	Lower Short Leg	2	Left & Right
3	Pull Rod	2	Left & Right
4	Wall	1	
5	Hanging	1	
6	Plate Wall	2	Left & Right
7	Hook Thrust Plate	2	Left & Right
8	2.5" silent	4	Single Brake
9	Camera Caster	1	
10.	Adjuster	1	
11	Camera Tray	1	

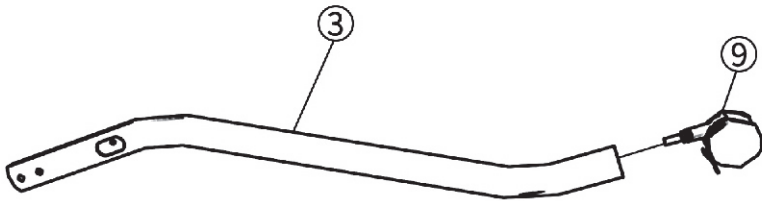
	Name	#
A	 M8x45 Flat Head Screw	12
B	 M8x20 Flat Head Screw	4
C	 M4x12 Hexagon Screw	2
D	 Hexagon Wrench	1
E	 Inner Hexagon	1
F	 M5x12 Screw	2

## 1. Caster Installation

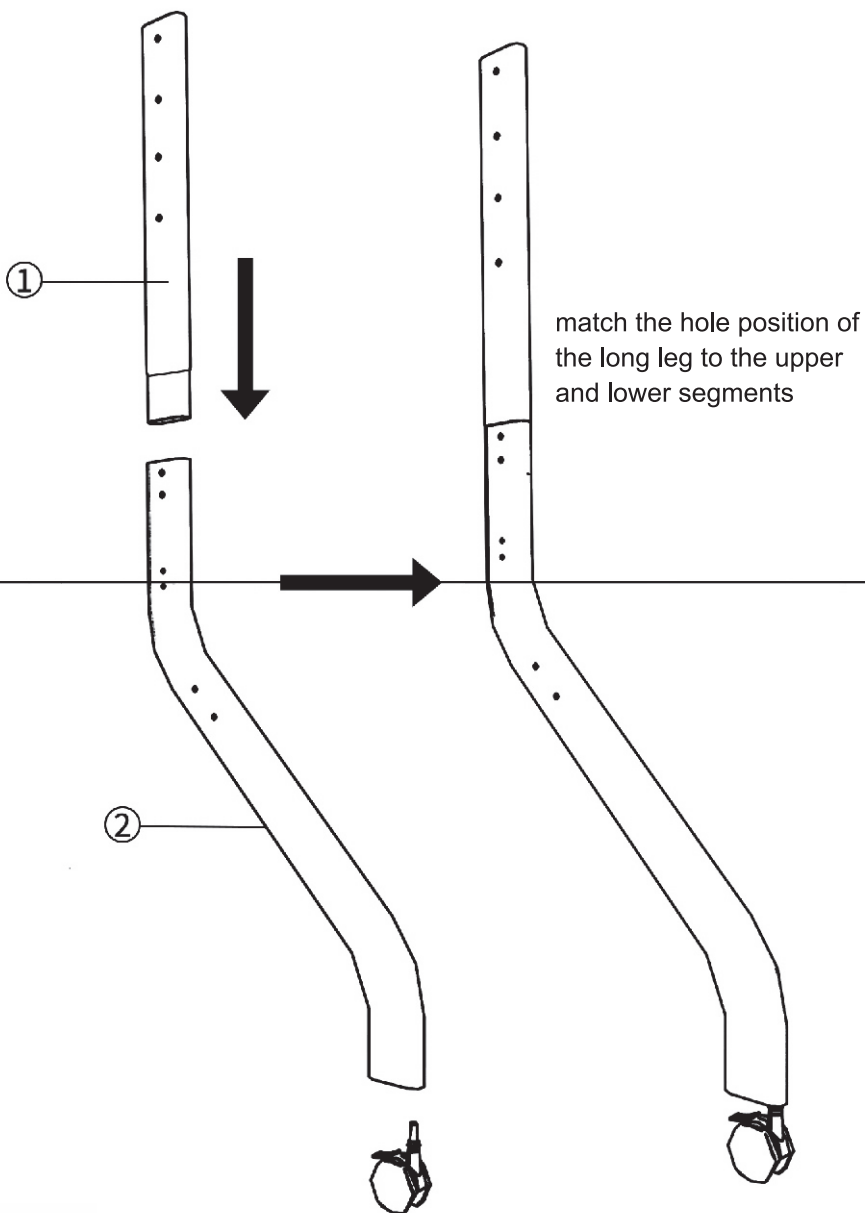
Install Caster at the foot



Tools:

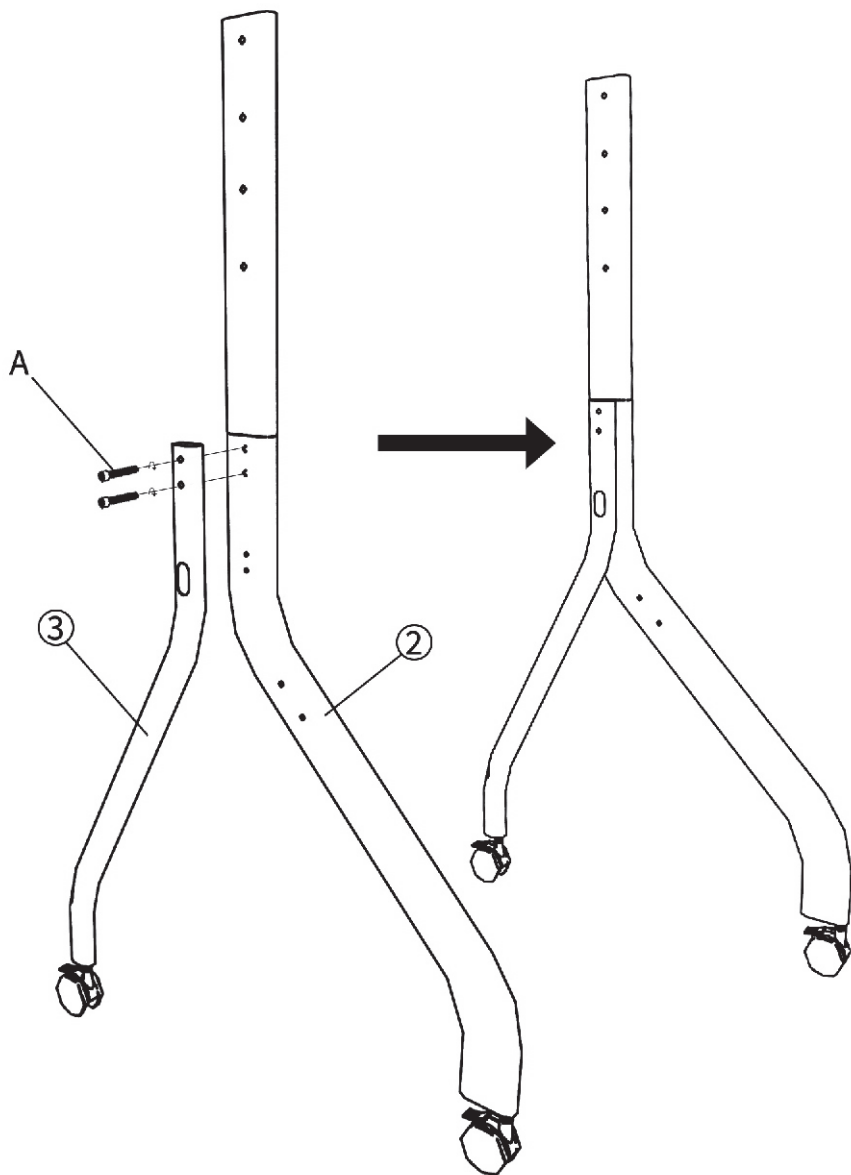


## 2. Long Leg Installation



Tools: 

### 3. Unilateral Leg Mount

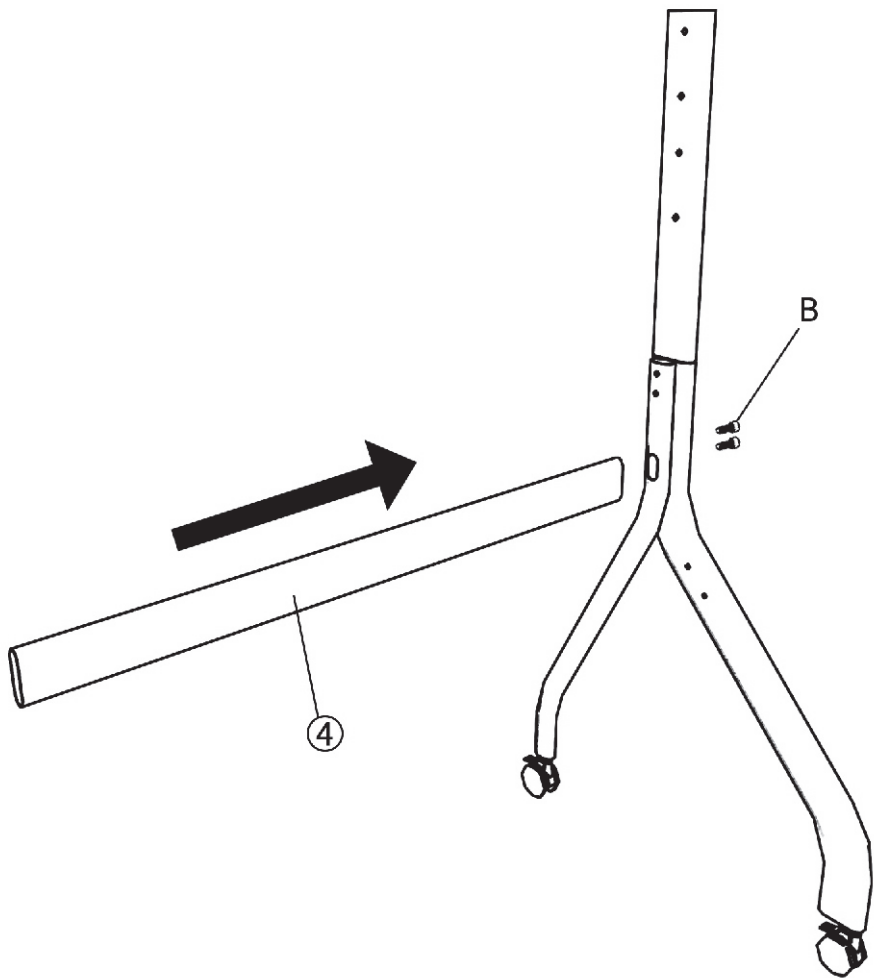



use m8x45 - 2 screws to fix the long leg to the short leg

Tools: 

#### 4. Lever Installation

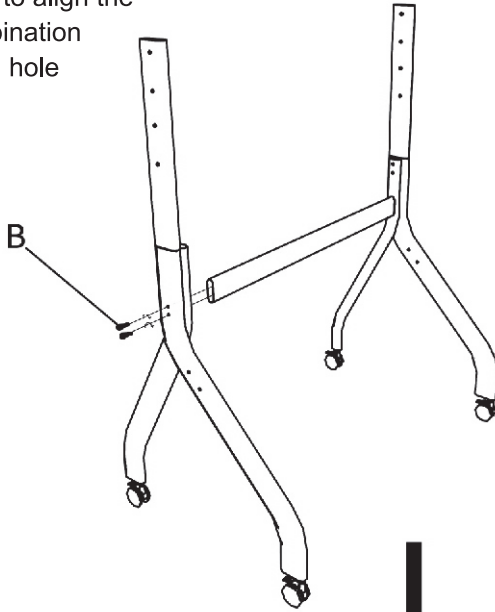
use m8x20 - 2 screws to align the foot compination with the fixed hole position of the pull rod




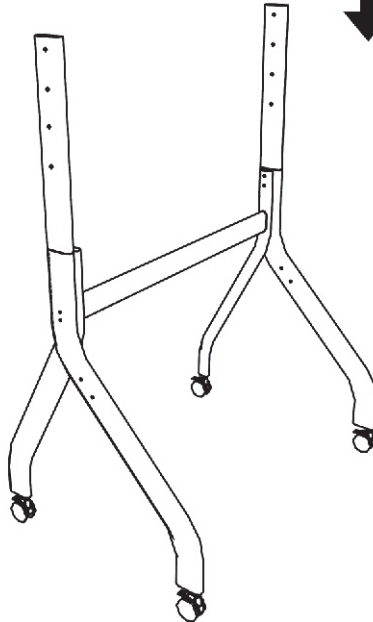
Tools: 

## 5. Leg Asseby

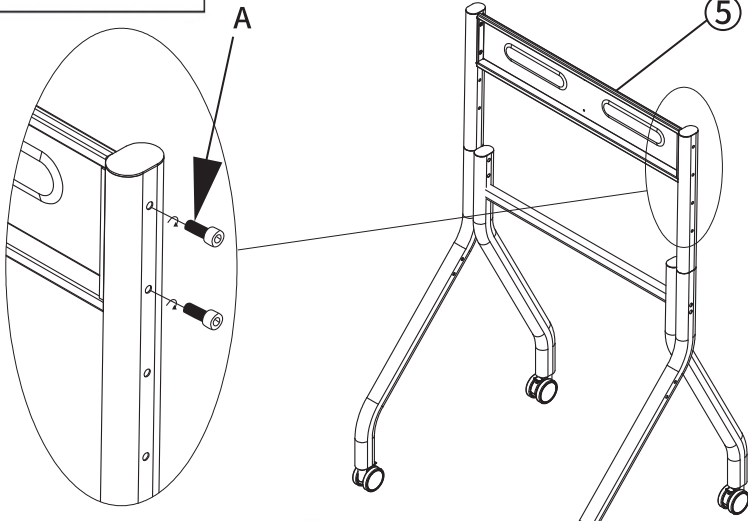
use M8x20 - 2 screws to align the symmetrical foot combination with the fixed attention hole position of the pull rod



Tools: 

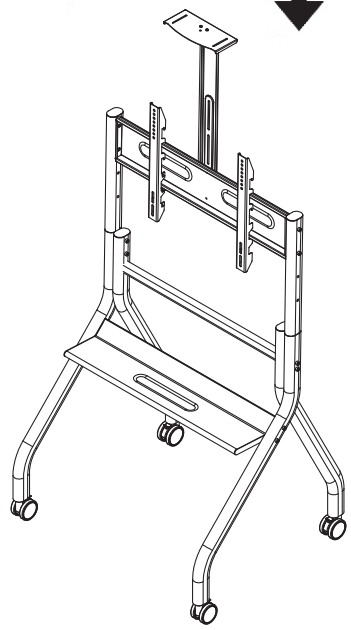


## 6. Wall Intallation



M8x45 - 4 Screws tot secure the wall panel to the back plate bracket with adjustable height to note hole position

Tools: 



## 7. Hook Mounting

Install the hook in the screen mounting hole, as shown in the picture.  
Install the hook

