

CRETE

Square

Concrete Firepit Table

44"L x 44"W x 17" H



WWW.CRETE.DESIGN

Square

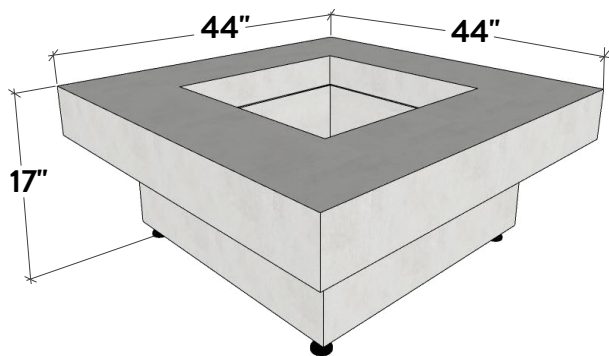
Concrete Firepit Table

Our Fire Tables are designed to embody the principals of Scandinavian and Wabi-Sabi design.

They embrace the unavoidable changes that the processes of nature create over time to age gracefully and remain a beautiful gathering place for generations.

Crete firepits are hand-made by Crete Design in Wisconsin, USA. Due to the handmade nature of our products, all measurements are within 1/2" of those specified here.

They ship with a compatible Warming-Trends burner in your choice of LP or NG, decorative aggregate, and the appropriate installation kit.

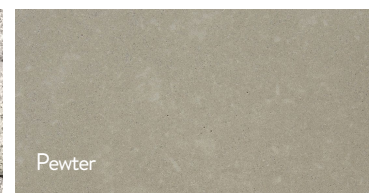
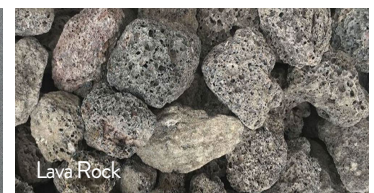


Weights

Top	220lb
Base	150lb
Total	370lb

Compliant with the following codes:

1. 2021, 2018, 2015, 2012, and 2009 International Fire Code ©(IFC)
2. 2021, 2018, 2015, 2012, and 2009 International Fuel Gas Code ©(IFGC)
3. 2018, 2015, 2012, and 2009 Uniform Mechanical Code © (UMC)*
4. 2020, 2015, and 2010 Natural Gas and Propane Installation Code**



715-293-3101

info@crete.design

Compliant with the following standards:

1. ANSI Z21.97/CSA 2.41-2017 Outdoor Decorative Gas Appliances

* Uniform Plumbing code is a copyrighted publication of the International Association of Plumbing and Mechanical Officials.

**Copyrighted publication of Canadian Standard Association.