

# CRETE

## Owner's Manual



# CONTENTS

- 03** Safety Notes
- 07** Set-up
- 13** Troubleshooting
- 14** Operating Your Fire Table
- 15** Brass Burner Warranty Information
- 16** Dimensions and Parts Lists
- 25** Replacement Parts
- 27** Caring for Glass Fiber Reinforced Concrete



# SAFETY NOTES

## WARNING

Do not store or use gasoline, or other flammable vapors and liquids, in the vicinity of this or any other appliance.  
An LP-cylinder not connected for use shall not be stored in the vicinity of this or any other appliance.

## AVERTISSEMENT

Ne pas entreposer ne utiliser de l'essence ni d'autres vapeurs ou liquides inflammables dans le voisinage de l'appareil, ne de tout autre appareil. Une bouteille de propane qui n'est pas raccordée en vue de son utilisation, ne doit pas être entreposée dans le voisinage de cet appareil ou de tout autre appareil.

## WARNING

If you smell gas:

- Shut off gas to the appliance.
- Extinguish any open flame.
- If odor continues, keep away from the appliance and immediately call your gas supplier or fire department.
- FOR OUTDOOR USE ONLY

## AVERTISSEMENT

- Coupez l'admission de gaz de l'appareil.
- Éteindre toute flamme nue.
- Si l'odeur persiste, éloignez-vous de l'appareil et appelez immédiatement le fournisseur de gaz ou le service d'incendie.
- S'il y a une odeur de gaz:
- POUR USAGE À L'EXTÉRIEUR SEULEMENT.

## DANGER - CARBON MONOXIDE HAZARD

This appliance can produce carbon monoxide which has no odor. Using it in an enclosed space can kill you. Never use this appliance in an enclosed space such as a camper, tent, car or home.

## AVERTISSEMENT - MONOXYDE DE CARBONE

Cette appareil peut produire du monoxyde de carbone, un gaz inodore. L'utilisation de cet appareil dans des espaces clos peut entraîner la mort. Ne jamais utiliser cet appareil dans un espace clos comme un véhicule de camping, une tente, une automobile ou une maison

## WARNING

Improper installation, adjustment, alteration, service or maintenance can cause injury or property damage. Read all the installation, operating and maintenance instructions thoroughly before installing or servicing this equipment.

## AVERTISSEMENT

Une installation, un ajustement, une modification, une réparation ou un entretien inapproprié peuvent être la cause de blessure ou de dommages. Veuillez lire attentivement les instructions d'installation, d'utilisation et d'entretien avant d'installer ou de réparer ce matériel.



# SAFETY NOTES

## WARNING

Failure to follow all instructions exactly may result in fire or explosion causing property damage, personal injury or loss of life. We recommend installation is completed by professionals that are locally licensed by the authority having jurisdiction in gas piping. Follow all local codes. We suggest that our products be serviced annually by a professional certified in the US by the National Fireplace Institute (NFI) as NFI Gas Specialist. The burner must be replaced prior to the appliance being put into operation if there is evidence of the burner being damaged. A replacement burner should only be used from the original manufacturer. Failure to position the parts in accordance with diagrams or failure to use only parts specially approved with this appliance may result in property damage or personal injury. Only use gas/fuel type specified for fire bowl. Verify correct gas/fuel type and pressure by checking the label on the back side of the burner assembly pan. Never use an alternative fuel to include bio-fuel, ethanol, lighter fluid or any other fuel.

## CAUTION

Do not remove the metal data plates attached to the underside of the fire table burner. These plates contain important information. Do not use charcoal or other solid fuel in gas burning appliances. Do not use your fire table for cooking. Do not heat any unopened glass or metal container of food in the fire table. Pressure may build up and cause the container to burst, possibly resulting in serious personal injury or damage to the fire table. Never use the fire table in windy conditions. If used in a consistently windy area a windbreak will be required. Always adhere to the specified clearances listed in this manual. Never allow clothing or other flammable materials come in contact with any hot surface until it has fully cooled. Never wear loose fitting or hanging garments while using your fire table. Fabric may ignite and result in personal injury. When handling propane gas lines and connectors, do not allow them to come in contact with any metal surfaces. Do not drop propane connectors.

**CALIFORNIA PROPOSITION 65 WARNING:** Chemicals known to the State of California to cause cancer, birth defects or other reproductive harm are found in and/or created by the combustion of natural gas, propane, butane and other fuels. Always operate this unit as described in the owner's manual and in well ventilated areas.

## SAFETY INSTRUCTIONS

In the event that a burner goes out, turn burner knobs to the full OFF position and let it air out. Do not attempt to use the fire table until the gas has had time to dissipate. Propane gas source to the fire table must be regulated. Do not operate if regulator has been removed. Fire or explosion can occur.

## GAS SAFETY

While the fire table is operating, the outside surface may reach high temperatures which may cause burns. Never leave children unattended in the area where the fire table is being used. Close supervision of children is necessary when any appliance is used near children. Never leave the fire table unattended when in use. When using the fire table, do not touch the rock, fire screen, or immediate surroundings, as these areas become extremely hot and could cause burns. Do not reach over your fire table when hot or in use. Do not store items of interest to children around or below the fire table. Never allow children to sit or stand on any part of the fire table.

## BURN HAZARD SAFETY

Keep all electrical supply cords away from the heated areas of the fire table. Clothing or any other flammable materials should not be hung from the appliance, or placed on or near the appliance. Installation and repair should be done by a qualified service person. The appliance should be inspected before use and at least annually by a qualified service person. More frequent cleaning may be required as necessary. It is imperative that the control compartment, burner and circulating air passageways of the appliance be kept clean. It is the installer's responsibility to ensure a safe installation and to educate the end user as to proper operation of the burner unit. Installers must leave the owner's manual, metal plate with operating instructions, and valve key with the end user. Read this section before installation. It explains what you need to know about liquid propane and natural gas prior to setting up your fire table.



# SAFETY NOTES GAS REQUIREMENTS

## LIQUID PROPANE

Your fire table is not provided with a propane tank. You will need to provide one. Use the following specifications for purchasing your propane tank.

Make sure your 20 lb. propane gas supply cylinder is constructed and marked in accordance with the specifications for propane gas cylinders as required by the U.S. Department of Transportation (DOT), Specifications for LP-Gas Cylinders or the Standard for Cylinders, Spheres and Tubes for Transportation of Dangerous Goods and Commission, CAN/CSA B339, as applicable.

**Manifold Pressure:** For plumbed-in liquid propane installation, use a regulator. Maximum line pressure for plumbed-in propane is 14" W.C. psi (3.5 kPa). Minimum line pressure for propane is 11" W.C. The unit must be used with the supplied gas pressure regulator and hose assembly. The regulator will control and maintain a uniform gas pressure in the manifold. The burner orifice has been sized for the gas pressure delivered by the regulator. Replacement pressure regulator and hose assemblies must be those specified in this manual.

Any propane gas supply cylinder used with this fire table must be approximately 12" in diameter and 18" high. The maximum fuel capacity is 20 lbs. of propane, or 5 gallons. Full cylinder weight should be approximately 38 lbs. (43.7 lbs. nominal water capacity.) Always use the cylinder dust cap on the cylinder valve outlet during transport and when the cylinder is not connected to the fire table. The 20 lb. propane gas cylinder used must include a collar to protect the cylinder valve.

**Filler Valve:** If you do not have an updated filler valve on your existing propane tank, you will need to purchase one at your local hardware store, as you will not be allowed to refill the tank at any filling station.

**Transporting Gas Cylinder:** Only one cylinder should be transported at a time. Transport cylinder in an upright and secure manner with control valve turned off and the dust cap in place.

## NATURAL GAS

Ensure that the service supplying the fire table is fitted with a conveniently positioned shut off valve with easy access. The shut-off valve MUST NOT be inside the appliance!

**Requirements:** Always check the rating plate to make sure the gas supply you are hooking up to is the gas type the fire table is manufactured for. The installation of this appliance must conform with local codes or, in the absence of local codes, to the National Fuel Gas Code, ANSI Z223.1, NFPA 54; National Fuel Gas Code; Natural Gas and Propane Installation Code, CSA B149.1; or Propane Storage and Handling Code, CSA B146.2, as applicable. Natural gas connection must be performed by a licensed contractor or local gas company representative. Ensure that the service supplying the fire table is fitted with a conveniently positioned shut off valve with easy access.

## PRESSURE TESTING

If this fire table is installed with a fixed fuel piping system and equipped with an appliance gas pressure regulator, the fire table and its individual shut-off valve must be disconnected from the gas supply piping system during any pressure testing of the system at test pressures in excess of ½ psi (3.5 kPa). The fire table must be isolated from the gas supply piping system by closing its individual manual shut-off valve during any pressure testing of the gas supply piping system at test pressures equal to or less than ½ psi (3.5 kPa).

## FIRE TABLES ARE DESIGNED FOR OUTDOOR USE ONLY

Never locate this appliance in a building, garage or other enclosed room, under a sealed overhead structure, or in any enclosed area such as a shed or breezeway. Keep clear of trees and shrubs. Do not place fire table under or near windows or vents that can be opened into your home. Maintain sufficient distance so as to not overheat any overhead combustible material such as a patio cover. The area surrounding your fire table should be kept clean and free from flammable liquids and other combustible materials such as mops, rags or brooms, as well as solvents, cleaning fluids, and gasoline. Do not block the vents located near the base of your fire table as gas may build up in case of leak and cause serious damage. Do not locate appliance where it can get excessively wet. Do not use this appliance if any part has been underwater. Immediately call a qualified service technician to inspect the unit and to replace any part of the control system and any gas control which has been underwater.



715-293-3101

info@crete.design

## VENTILATION:

Fresh air must be able to pass through installed vents to safeguard against residual gas accumulation. Failure to allow proper ventilation may cause fire or explosion. Place the fire table on a solid platform such as concrete to allow air flow through vents located on the side of the fire table or underneath the base of the fire table unit. The vents must never be allowed to be obstructed. Using the adjustable feet at the base, maintain a ½ “ clearance from the bottom of the fire table to the flooring surface. See figures below. Set-up of your Ixtapa fire table consists of 4 easy steps:

1. Place Fire Table in Desired Location
2. Connect Gas Line
  - 2.1 Connection for Liquid Propane
  - 2.2 Connection for Natural Gas
3. Perform a Leak Test
4. Place Decorative Stone in Fire Table If you use natural gas, you are responsible for ensuring that a gas line is installed and safe for use. We recommend that a licensed contractor install your fire table. This appliance, when installed, must be electrically grounded in accordance with local codes or, in the absence of local codes, with the National Electrical Code, ANSI/NFPA 70; or the Canadian Electrical Code, CSA C22.1, if applicable.

## NEVER USE SOLID FUEL

Do not use solid fuel, such as charcoal or wood in your fire table.

### Compliant with the following codes:

1. 2021, 2018, 2015, 2012, and 2009 International Fire Code ©(IFC)
2. 2021, 2018, 2015, 2012, and 2009 International Fuel Gas Code ©(IFGC)
3. 2018, 2015, 2012, and 2009 Uniform Mechanical Code © (UMC)\*
4. 2020, 2015, and 2010 Natural Gas and Propane Installation Code\*\*

\*Uniform Plumbing code is a copyrighted publication of the International Association of Plumbing and Mechanical Officials

\*\*Copyrighted publication of Canadian Standard Association

### Compliant with the following standards:

1. ANSI Z21.97/CSA 2.41-2017 Outdoor Decorative Gas Appliances 98598



# SET-UP

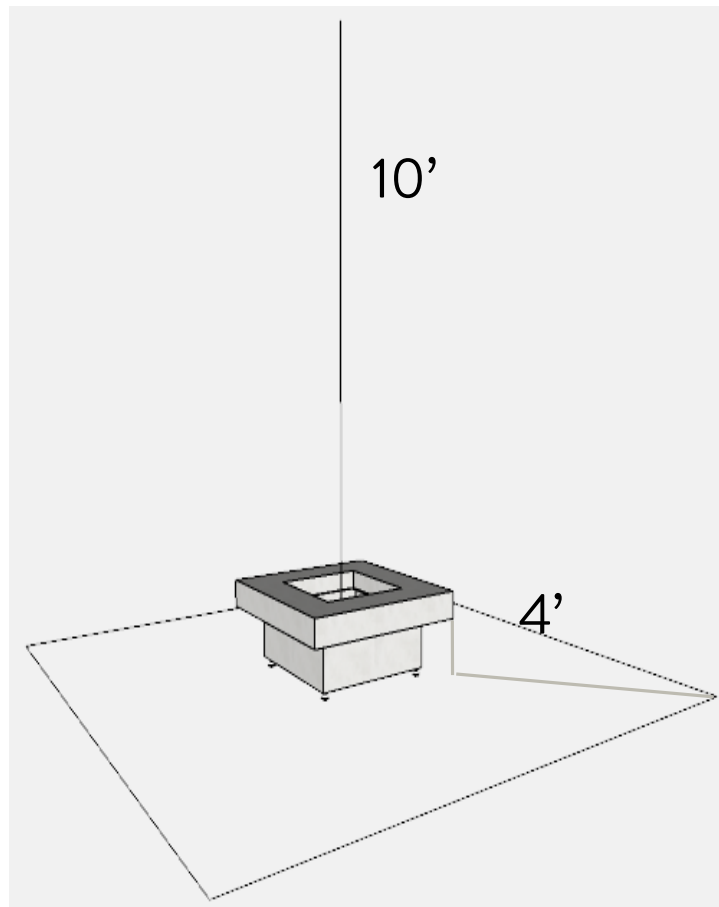
1. Place Fire Table In Desired Location
2. Connect a Gas Line
3. Perform a Leak Test
4. Place Decorative Stone
5. Lighting Instructions

## 1. PICKING A LOCATION

Place your fire table on a flat and stable surface in an outdoor location such as a patio deck.

Maintain the following clearances to combustible materials:

Sides & Back	48 inches (122 cm) measured from side
Top	120 inches (305 cm) measured from hearth
Adjustable Feet	1 inch (1.27 cm) measured from bottom of fire table to flooring surface (for ventilation)



# SET-UP

## 2. CONNECT A GAS LINE

**THIS APPLIES TO BOTH LIQUID PROPANE & NATURAL GAS INSTALLATION:** Your fire table will arrive with the burner and burner plate set in the fire table. You will need to lift it up to access the gas inlet. The gas line between the burner and the gas valve located on the side of the fire table has been connected for your convenience.

### 2.a. CONNECTION FOR LIQUID PROPANE

We recommend installation is completed by professionals that are locally licensed by the authority having jurisdiction in gas piping. Follow all local codes. Unless you have a permanent liquid propane gas line installed, you will need to run the black liquid propane gas line under the base of the fire table through the air gap space that is located in between the base of the unit and flooring surface. The flex line that runs from the gas valve to the burner has been connected at the factory. You will only need to connect the propane line from the gas valve to the propane tank. Perform a leak test before replacing the burner plate. (See below) Connect the black liquid propane hose to a gas cylinder. Use a OCC-1 propane connector with a regulator. When you connect the regulator to the tank valve, hand tighten the black OCC-1 nut clockwise. DO NOT use a wrench to tighten. If you are unable to run an in-ground gas line you may have to run the gas line through the air vent. This is fine, as long as the gas line is the only thing going through the vent.

### 2.b. CONNECTION FOR NATURAL GAS

The flex line that runs from the gas valve to the burner has been connected at the factory. You will only need to connect the natural gas line from the gas valve to the gas source. Perform a leak test before you replace the burner plate. (See below).

## 3. PERFORM A LEAK TEST

Perform a leak test at least once a year whether the gas supply cylinder has been disconnected or not. In addition, whenever the gas cylinder is connected to the regulator or whenever any part of the gas system is disconnected or replaced, perform a leak test. As a safety precaution, remember to always leak test your fire table outdoors in a well-ventilated area. Never smoke or permit sources of ignition in the area while doing a leak test. Do not use a flame, such as a lighted match to test for leaks. Use a solution of soapy water.

**3.1.** Prepare a leak testing solution of soapy water by mixing in a spray bottle one part liquid soap to one part water. Make sure all the control knobs are in the OFF position.

**3.2.** Turn on the gas.

**3.3.** Apply the leak-testing solution by spraying it on joints of the gas delivery system. Bubbles in the solution will show you where leaks are present.

**3.4.** Stop a leak by tightening the loose joint or by replacing the faulty part with a replacement part recommended by the manufacturer. Do not attempt to repair the cylinder valve if it is damaged. The cylinder must be replaced.

**3.5.** Turn the control knob back to the full OFF position. If you are unable to stop a leak: Turn the control knob back to the full OFF position. Shut off the gas supply to the fire table and release pressure in the hose and manifold. On propane systems, remove the cylinder from the fire table. Call an authorized gas appliance service technician or a liquid propane gas dealer. Do not use the appliance until the leak is corrected.





# SET-UP

## 4. PLACE DECORATIVE STONE IN FIRE TABLE SET-UP

After you have completed all plumbing installation, you can fill the fire table with the decorative filler material provided. Type of filler placement, such as lava rock, decorative stone or glass, is entirely your choice according to your preferences, but it needs to be rated for use with fire. It will not affect the operation of the fire table in any way. You can place the filler material on the burner, but no higher than 1" thick. Excessive filler material may impede gas flow and cause gas build-up and potentially cause an explosion.

Upon completing the gas line connection, a small amount of air will be in the lines. When first lighting the burner, it will take a few seconds for the lines to purge themselves of this air. Once the purging is complete, the burner will light and operate as indicated in the instruction manual. Subsequent lighting of the appliance will not require purging unless the gas supply has been disconnected. Inspect the gas hose before each use of the fire table. If the hose shows evidence of excessive abrasion or wear or if the hose is damaged, it must be replaced before using the fire table. Inspect the burner before each use of the appliance. If there is any evidence that the burner is damaged, it must be replaced before operating. Upon completing the gas line connection, a small amount of air will be in the lines. When first lighting the burner, it will take a few minutes for the lines to purge themselves of this air. Subsequent lighting of the appliance will not require such purging. Never allow the ON/OFF valve to remain in the open position without placing a burning match on top of the burner FIRST! You must have clear and easy access to the ON/OFF valve AFTER the appliance is installed and connected to the gas supply in order to safely turn off the burner. Make sure the burner is in place prior to using the appliance. If the burner is damaged, install a replacement burner as specified by the manufacturer.

### FOR YOUR SAFETY, READ BEFORE LIGHTING:

Before operating the fire table, smell around the appliance area for gas odors. Be sure to smell the surrounding floor area as some gases are heavier than air and will settle on the ground. • Use only your hand to turn the manual gas control valve. Never use tools. If the valve will not turn by hand, do not try to repair it. Call a qualified service technician. Force or attempted repair may result in a fire or explosion.

## 5. LIGHTING INSTRUCTIONS

- 5.1. Turn the ON/OFF valve located on the side of the fire table completely to the ON position.
- 5.2. Make sure fuel supply (LP or NG) is properly connected and turned on at the source. This will be either the LP tank or the NG valve.
- 5.3. When you hear gas flowing, use either a long stem wooden match or a butane fireplace lighter to place a flame near the burner.
- 5.4. If the burner does not light, does not stay lit, or the flame is very low, shut off the gas supply and wait five minutes to allow all fumes to clear. Start again from Step 1, making sure all gas valves are completely opened.

### TURNING OFF GAS

For NG Units: Turn the ON/OFF valve to the OFF position at the unit for natural gas unit, then close the valve at the NG source.  
For Propane Units: Turn the ON/OFF valve to the OFF position at the unit and then close the valve on the propane tank.

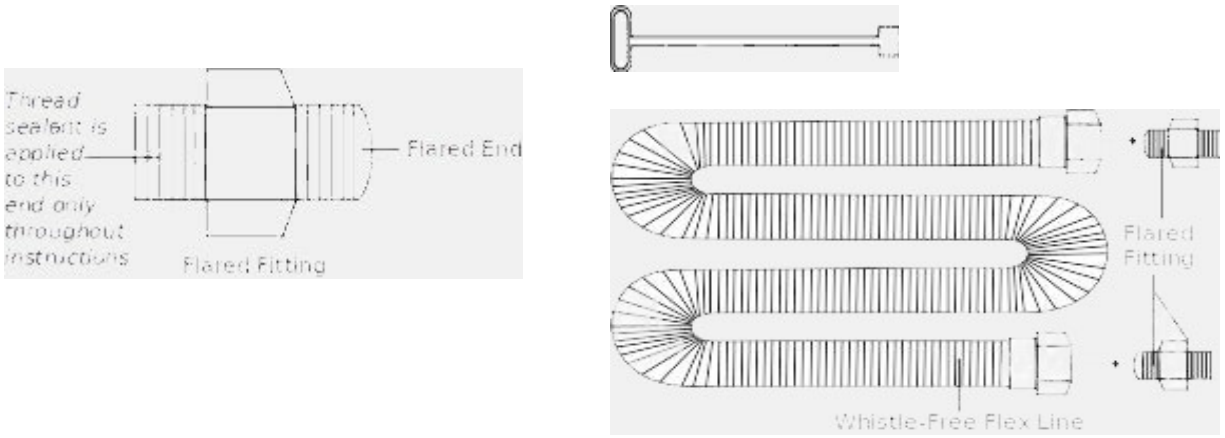
**NOTE:** The propane regulator in this appliance is equipped with a low flow protection device. Unless the propane cylinder valve is opened before the valve, the gas flow will be reduced resulting in a very small flame. To reset this device, shut off the valve, disconnect the hose from the cylinder to relieve the pressure, then close the propane cylinder valve.



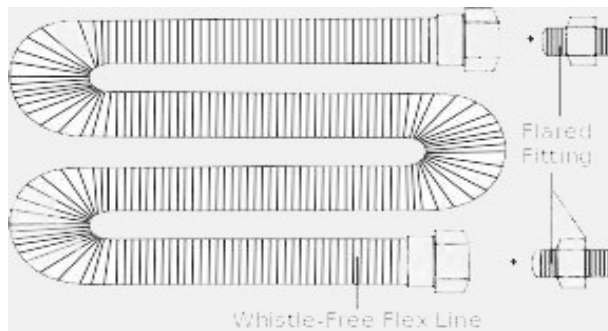
# SET-UP

## CONNECTING YOUR BURNER

1. Locate FLKV12 (parts include: Flex Line, Key valve, excutheon plate, keys, and FIT180 kit if in a FLVK34FIT180 kit)

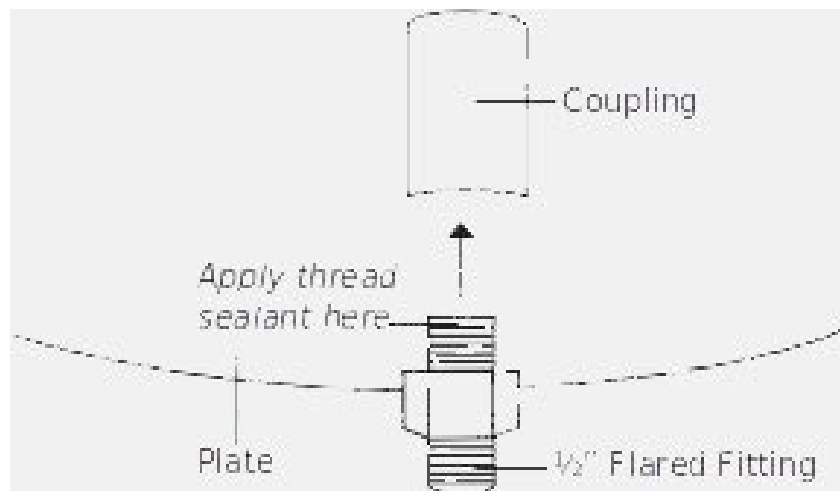


2. Remove Flared Fittings from Whistle-Free Flex Line



3. Connect to coupling

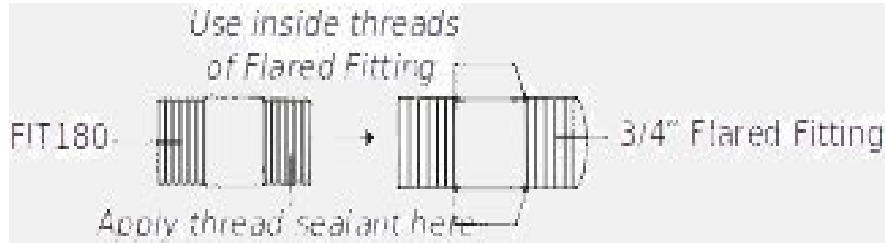
Connect one of your 1/2" Flare Fittings removed in step 2 to the 1/2" coupling located on the bottom of the aluminum plate with flared end on bottom. Tighten.



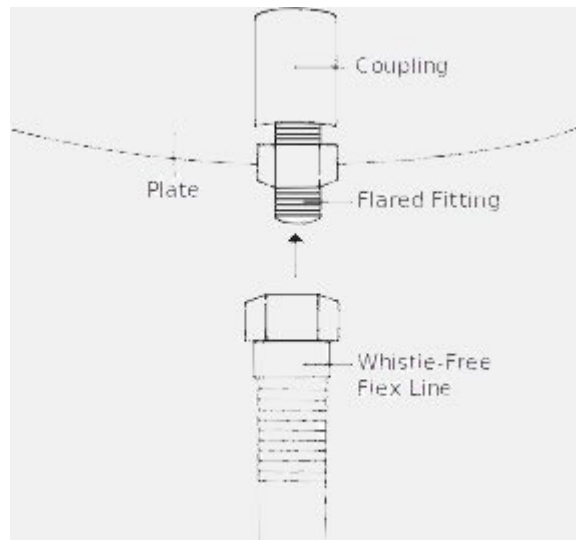
## CONNECTING YOUR BURNER

### 3.1. (On kits that include FIT180) Connect to FIT180, then to Coupling.

Connect one 3/4" Flared Fitting removed in Step 2 to FIT180 fitting provided by inserting FIT 180 into interior threads of the Flared Fitting. Tighten.

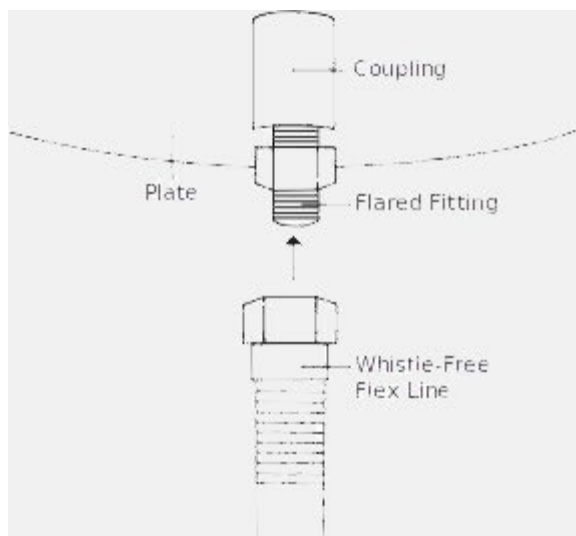


Then, connect the FIT180 fitting into the coupling located on the bottom of the aluminum plate. Tighten.



### 4. Connect Whistle-Free Flex Line

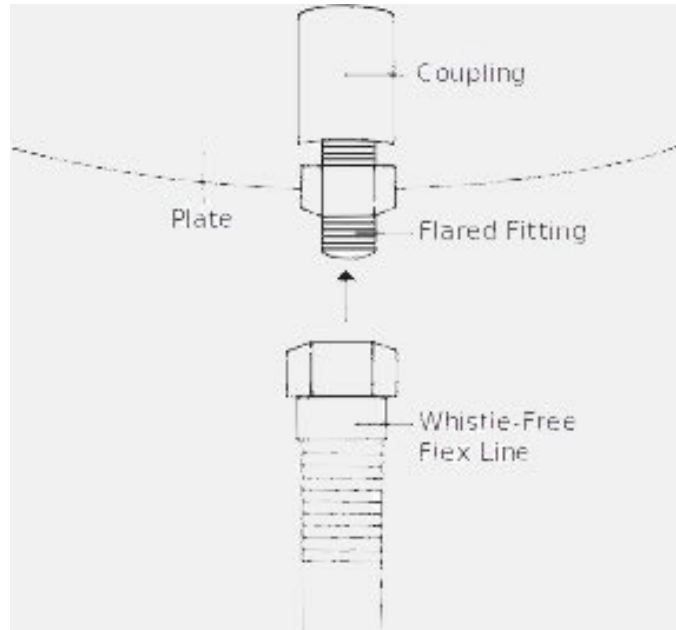
Connect the Whistle-Free Flex Line to the Flared Fitting previously attached to the coupling on the bottom of the aluminum plate.



# SET-UP

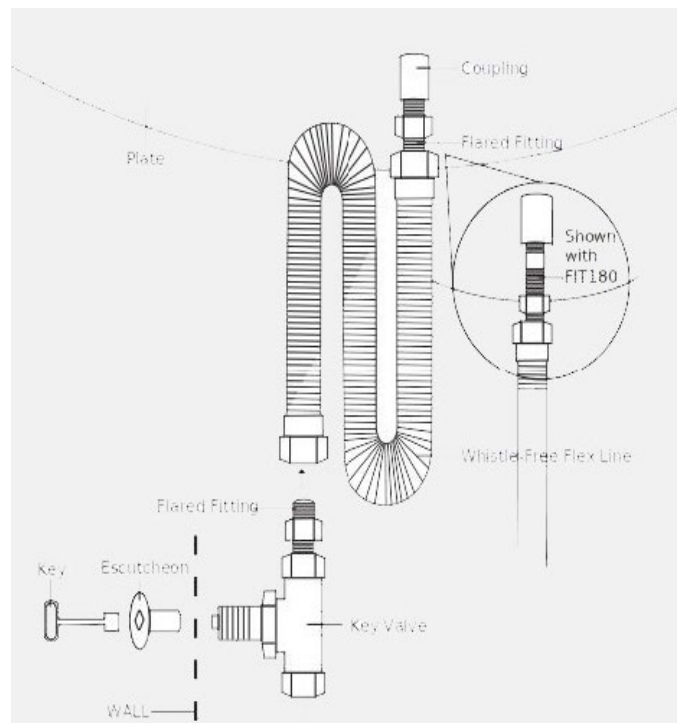
## CONNECTING YOUR BURNER

5. Locate the second Flared Fitting removed in Step 2 and connect into the Key Valve, placing the non-flared end into the key valve. Tighten.



6. Connect Flex Line with Key Valve.

Connect the Whistle-Free Flex Line to the Flared Fitting that is now connected to the Key Valve. Connect Escutcheon Plate to Key Valve through the vessel wall. Tighten.



Problem	Possible Causes	Remedy
Will not light	Air in gas line	If new install, may take several attempts to purge air
	Debris in gas line	Confirm gas line is clear (insulation, dirt, plastic, excessive pipe sealer, etc.)
	Improper gas pressure	Confirm proper gas pressure
Will not stay lit	Improper gas pressure	Confirm proper gas pressure
	Improperly applied media	Review media application
Noise (Note: The movement and combustion of gas will create low, unavoidable levels of noise.)	Passage of air/gas across irregular surfaces	Remove any tight bends or kinks in gas supply line
	Excessive gas pressure on natural gas units	Contact local natural gas company
Unit is smoking/ sooting excessively (Note: It is natural and unavoidable for appliance sets to produce moderate levels of carbon (soot) where flames contact the media)	Poor fuel quality	Remove any tight bends or kinks in gas supply line
	Excessive flame impingement or blockage	Separate the media to allow more flame passage
	Improper fuel and/or air mixture	Remove any foreign items from the flame pattern and check for proper orifice sizing
Burner flame is too low or too high	Incorrect gas supply or pressure	Check for proper gas supply pressure
	Blocked burner orifice or burner ports	Free burner orifice and burner ports of any debris or blockage
	Improper burner orifice size	Verify proper burner orifice sizing
Unit Produces Unwanted Odor	Gas Leak, See Warning Statement	Check for and Seal All Gas Leaks



# OPERATING YOUR FIRE TABLE

## CLEANING

Inspect the appliance before initial use. Clean the appliance at least annually and have it inspected by a qualified field service person. Periodically examine the burner. If the burner is dirty, clean it with a soft wire brush. Also examine the area around the burner air shutter. Remove any dirt or debris in this area. This will ensure long life and trouble-free operation. The easiest way to clean the fire table burner is to let it cool completely off and spray the enclosure off with water. DO NOT spray water directly onto the burner. For routine cleaning of the fire table, wipe down with a damp cloth or sponge. Avoid using any cleaners as they may contain chemicals or color that could cause discoloration. To remove stains, use a Marble or Granite stain remover available found at any home improvement store. When not in use and after cooling, cover your fire table with a full length cover. The cover will help protect your fire table from detrimental effects of weather and environmental pollutants. Before placing the cover on the fire table, make sure the unit is shut off, the gas lines are disconnected and that the unit has had sufficient time to cool. Install the cover and use the tie-down straps to secure it tightly to the unit to prevent wind from blowing it off. More frequent cleaning may be required as necessary. It is imperative the control compartment, burner and circulation air passageways of the appliance be kept clean and free.

## MAINTENANCE

Periodically check the hose connecting the propane gas cylinder to ensure it is not cracked or damaged in any way. All natural gas hook-ups should be serviced and inspected only by qualified installers only. Spiders and insects can nest in the burners and block the gas and airflow to the burner ports. This creates a dangerous condition that can result in a fire from behind the valve panel. Inspect and clean the burners periodically. Any guard or other protective device removed for servicing must be replaced prior to operating the appliance. If it is evident there is excessive abrasion or wear of any of the components, if the fuel supply hose is cut or cracked, it must be replaced prior to the appliance being put into operation. Inspect the fuel supply connection for signs of leakage (including the hose for propane models) before each use of the appliance. Do not repair or replace any part of your fire table. Have a qualified technician perform all service. Any repairs made by a non-approved service technician will void your warranty.

## STORAGE

When your fire table is not in use, turn off the gas at the source. This appliance can be stored indoors only if it has been disconnected from its fuel supply. Store propane cylinders outdoors in a well-ventilated area out of reach of children. Disconnected cylinders must have threaded valve plugs tightly installed and must not be stored in a building, garage, or any other enclosed area. To extend the life of your fire table, protect and cover it from the elements when not in use. Ensure the appliance has ample time to cool off after use prior to covering the table. The fire table is warranted to be free from defects in material and workmanship for one year from the date of purchase. If a part proves to be defective under normal use, the part will be repaired or replaced. Our obligation under this warranty is to repair or replace defective parts at our discretion. If we determine that repair of a covered item is not feasible, we reserve the right to replace the defective merchandise with merchandise equal in value to the original purchase price. Warranty repair or replacement are the sole discretion of Crete and this warranty does not cover costs therein, including but not limited to: freight, removal, re-installation, etc. There will be no charge for parts on a covered item, however, cost of labor is the responsibility of the owner. Shipping and handling charges will apply to all warranted replacement parts. The service agent may assess a reasonable travel or mileage charge per service call. This limited warranty applies only to fire tables normally used for personal, family, or household purposes and specifically excludes rental or commercial applications.



# BRASS BURNER WARRANTY INFORMATION

This warranty is void if the fire table has been subject to negligence, alteration, misuse, unauthorized repairs, dings, dents, scratches, or incorrect and/or prohibited applications as specified in the owner's manual. Natural gas lines must be installed by a licensed plumber only or local gas company agent. The original purchaser acknowledges and agrees that this product is a handmade, hand-finished product. Each piece is unique. Any samples provided are typical of texture, finish, individual characteristics, and color but they should not be considered exact representations of the final product. There can be up to a 15% variation in color and texture from piece to piece. In addition, shape detail can vary as much as 1/2" in size. The texture created by entrapped air ranges from smooth to randomly indented. Minor chipping, water staining, and non-structural hairline cracks are also traditional characteristics of this product. As with natural stone, color will vary on individual orders and among individual pieces in the same order. As with natural stone, excessive heat exposure may cause discoloration. As fire tables age, color may lighten or darken according to specific field or storage conditions such as humidity, temperature, and exposure to sunlight.

## BRASS BURNER

Full Lifetime Warranty for WARMING TRENDS® Burners. WARMING TRENDS warrants that each WARMING TRENDS Crossfire and other jetted-flame-brass-burners (each as "Burner") is free from defects in materials and workmanship and conforms to its specifications, which are available upon request. The warranty period for a Burner is lifetime warranty beginning on the date of purchase ("Warranty Period"). This Warranty is transferable, but we reserve the right to require proof of ownership for any transferred burners including proof that the Burner was not acquired through improper means or unauthorized re-sellers. During the Warranty Period, WARMING TRENDS provides repair and exchange services for the Burners, without charge. If a Burner does not function as warranted during the Warranty Period and, after a reasonable number of attempts, WARMING TRENDS is unable to either 1) make it do so or 2) replace it with one that is at least functionally equivalent, you may return it to WARMING TRENDS and your money will be refunded. The warranty stated above will not apply to the extent that there has been misuse or use contrary to specifications or the appropriate user or operating manual, installation defect, accident, modification, unsuitable physical or operating environment, operation in other than the specified operating environment (e.g., outdoor burners should only be used outdoors) improper maintenance by you, or failure caused by a product for which WARMING TRENDS is not responsible. With respect to Burners, the warranty is voided by removal or alteration of any identification labels or marks on any Burner or part. THESE WARRANTIES ARE YOUR EXCLUSIVE WARRANTIES AND REPLACE ALL OTHER WARRANTIES OR CONDITIONS, EXPRESS OR IMPLIED, INCLUDING, BUT NOT LIMITED TO, THE IMPLIED WARRANTIES OR CONDITIONS OF MERCHANTABILITY AND FITNESS FOR A PARTICULAR PURPOSE.

## ITEMS NOT COVERED BY WARRANTY

Other than as expressly stated above, WARMING TRENDS does not warrant uninterrupted or error-free operation of any Burner or that WARMING TRENDS will correct all defects. Warming Trends does not warranty any services related to our Burners, including installation, unless we provided those services to you. You may have warranty rights from the service provider, but we make no representations or warranties express or implied regarding any third party service provider. This warranty also does not apply to any fire logs (including the FireStorm® Steel Log) or any of the electronics used in connection with our Burners, which may be covered by separate warranties with different terms.

## YOUR RIGHTS UNDER STATE LAW

This Warranty gives you specific legal rights, and you may also have other rights which vary from state to state. You may find this information from the Federal Trade Commission helpful in understanding your rights, but we recommend you speak to your attorney regarding your specific situation and the laws in your state or jurisdiction. <https://www.consumer.ftc.gov/articles/0252-warranties>



# DIMENSIONS & PARTS LISTS

Burners for our tables come standard as match-lit. If you would like an ignition system please refer to the table for your burner to see which ignition systems are compatible with your burner, and contact Warming Trends to source the correct parts.

<b>PAGE</b>	<b>MODEL</b>
17	Square
18	Bowl
19	Circular
20	Cylindrical
21	Terraza
22	Rectangular

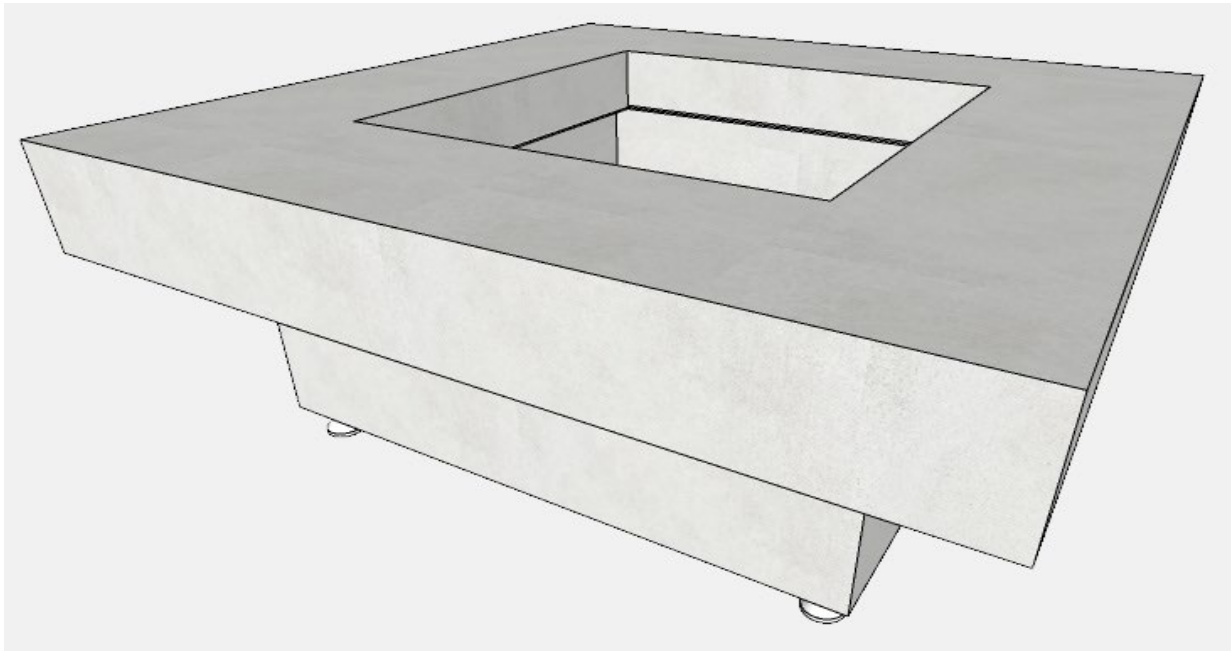




# SQUARE

SKU	Description	Ship Weight	Ship Dimensions
CFB120NG (Natural Gas)/ CFB120LP (Liquid Propane)	120k BTU Original Brass Burner	8 lbs	15" x 15" x 5"
CFB120NGALPL24S/ CFB120LPALPL24S	With 24" Square Plate	17 lbs	26" x 26" x 6"
CFB120NGALPL24S- FLKV12/ CFB120LPALPL24S- FLKV12	With 24" Square Plate and ½" Flex Line Kit	21 lbs	26" x 26" x 6"

Compatible Ignition Systems: Push Button, 3V, 24V Spark Ignition, 24 Volt Hot Surface Ignition



SKU	Description	Ship Weight	Ship Dimensions
ALPL24S	24" Square Plate	10 lbs	27" x 27" x 7"
FPC26S	Cover for 24" Square Opening	16 lbs	29" x 29" x 7"



SKU	Description	Ship Weight	Ship Dimensions
CFB120NG (Natural Gas)/ CFB120LP (Liquid Propane)	120k BTU Original Brass Burner	8 lbs	15" x 15" x 5"
CFB120NGAL- PAN24C/ CFB120LPALPAN24C	With 24" Circular Pan	15 lbs	25" x 25" x 9"
CFB120NGAL- PAN24CFLKV12/ CFB120LPAL- PAN24CFLKV12	With 24" Circular Pan and ½" Flex Line Kit	19 lbs	25" x 25" x 9"

Compatible Ignition Systems: Push Button, 3V, 24V Spark Ignition, 24 Volt Hot Surface Ignition



### Plate and Cover

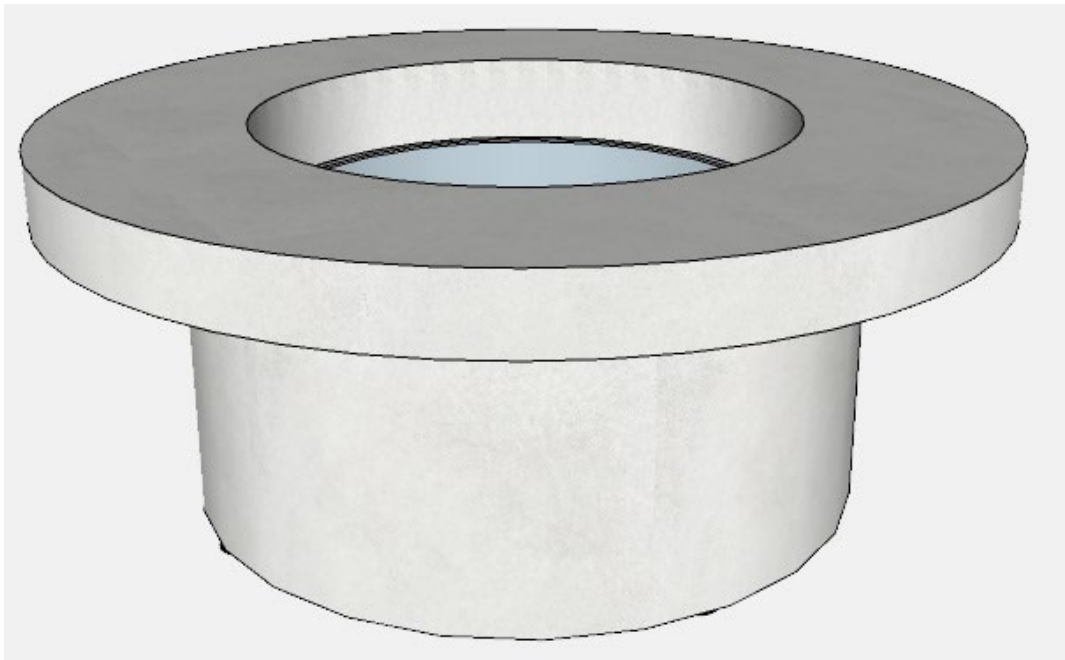
SKU	Description	Ship Weight	Ship Dimensions
ALPAN24C	24" Circular Aluminum Pan	9 lbs	25" x 25" x 7"
FPC26C	Cover for 24" Circular Opening	13 lbs	27" x 27" x 7"



# CIRCULAR

SKU	Description	Ship Weight	Ship Dimensions
CFB120NG (Natural Gas)/ CFB120LP (Liquid Propane)	120k BTU Original Brass Burner	8 lbs	15" x 15" x 5"
CFB120NGAL- PAN24C/ CFB120LPALPAN24C	With 24" Circular Plate	15 lbs	25" x 25" x 9"
CFB120NGALPL24C- FLKV12/ CFB120LPALPL24C- FLKV12	With 24" Circular Plate and ½" Flex Line Kit	19 lbs	25" x 25" x 9"

Compatible Ignition Systems: Push Button, 3V, 24V Spark Ignition, 24 Volt Hot Surface Ignition



## Plate and Cover

SKU	Description	Ship Weight	Ship Dimensions
ALPL24C	24" Circular Aluminum Plate	9 lbs	25" x 25" x 7"
FPC26C	Cover for 24" Circular Opening	13 lbs	27" x 27" x 7"



# CYLINDRICAL

SKU	Description	Ship Weight	Ship Dimensions
CFB120NG (Natural Gas)/ CFB120LP (Liquid Propane)	120k BTU Original Brass Burner	8 lbs	15" x 15" x 5"
CFB120NGAL- PAN24C/ CFB120LPALPL24C	With 24" Circular Plate	15 lbs	25" x 25" x 9"
CFB120NGAL- PAN24CFLKV12/ CFB120LPALPL24C- FLKV12	With 24" Circular Plate and ½" Flex Line Kit	19 lbs	25" x 25" x 9"

Compatible Ignition Systems: Push Button, 3V, 24V Spark Ignition, 24 Volt Hot Surface Ignition



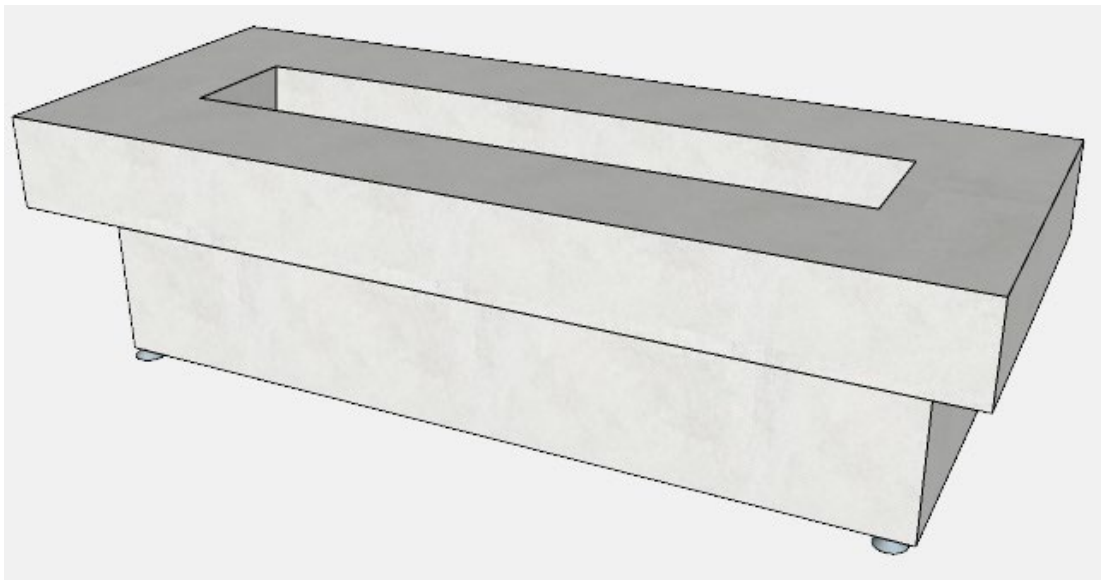
## Plate and Cover

SKU	Description	Ship Weight	Ship Dimensions
ALPL24C	24" Circular Aluminum Plate	9 lbs	25" x 25" x 7"
FPC26C	Cover for 24" Circular Opening	13 lbs	27" x 27" x 7"



SKU	Description	Ship Weight	Ship Dimensions
CFBL190NG/CF-BL190LP	190k BTU Linear Style Burner	6lbs	49" x 5" x 5"
CFBL190N-GALPL448rCF-BL190LPALPL448	With 44" x 8" Rectangular Plate	17lbs	49" x 9" x 9"
CFBL190N-GALPL448FLK-34FIT180/CFBLALPL448FLK-34FIT180	With 44" x 8" Rectangular Plate + 3/4" Flex Line Kit + FIT 180	22lbs	49" x 9" x 9"

Compatible Ignition Systems: Push Button, 3V, 24V Spark Ignition, 24 Volt Hot Surface Ignition



## Plate and Cover

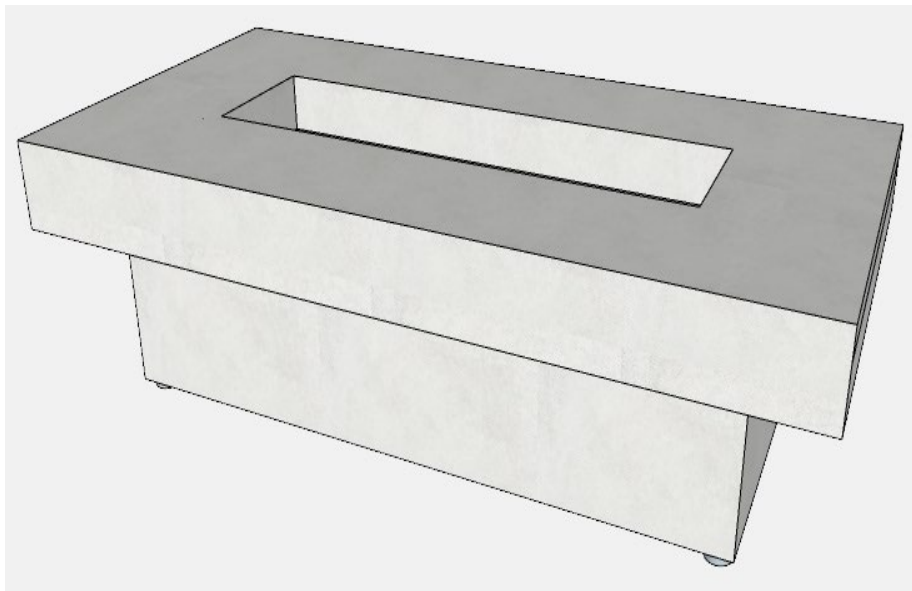
SKU	Description	Ship Weight	Ship Dimensions
ALPL448	Rectangular Plate	6 lbs	49" x 9" x 9"
CRR4610	Cover w/ 2 Handles	Varies	49" x 9" x 9"



# RECTANGULAR

SKU	Description	Ship Weight	Ship Dimensions
CFBL150NG/CF-BL150LP	150k BTU Linear Style Burner	5lbs	37" x 5" x 5"
CFBL150N-GALPL448rCF-BL150LPALPL388	With 38" x 8" Rectangular Plate	14lbs	41" x 9" x 9"
CFBL150N-GALPL448FLK-34FIT180/CF-BL150ALPL388FLK-34FIT180	With 38" x 8" Rectangular Plate + $\frac{3}{4}$ " Flex Line Kit + FIT 180	19lbs	41" x 9" x 9"

Compatible Ignition Systems: Push Button, 3V, 24V Spark Ignition, 24 Volt Hot Surface Ignition



## Plate and Cover

SKU	Description	Ship Weight	Ship Dimensions
CRR3811	Rectangular Cover with 1 Handle	Varies	Varies
PLR3811	Rectangular Burner Plate	Varies	Varies



# REPLACEMENT PARTS

SKU	Description	Ship Weight	Ship Dimensions
KV12	½" Key Valve + 3" Key	2lbs	7" x 7" x 5"
KV34	¾" Key Valve + 3" Key	2lbs	7" x 7" x 5"
KEY12	12" Key	3lbs	13" x 13" x 5"
LPRH	Liquid Propane Regulator mounted on 5/16" 10' Hose with hand-wheel quick connect. For use upto 200k BTUs with a 20lb propane tank	2lbs	11" x 11" x 5"
LPHOSE10	LP ¾" 10' Hose. For use with a 20lb propane tank.	2lbs	11" x 11" x 5"



# CARING FOR YOUR GLASS-FIBER REINFORCED CONCRETE

Do not allow the concrete to stay wet for long periods of time.

Cover the concrete well when you are expecting rain.

Do not cover the concrete while it is wet without first drying it.

Excessive heat may cause the concrete to crack, so installing a burner with any more heat than the ones listed in this guide is not recommended.

Use of a wind-guard is also recommended.

Use care when installing or moving your concrete fire table. Concrete is strong, but also heavy, and can chip when set down too forcefully.

If the table becomes chipped, use the chip repair kit included and follow the instructions included with the chip repair kit.

Clean your table regularly, and if you notice any efflorescence (white spots) on the concrete, gently buff it out with a 380 grit scotchbrite scouring pad. This is a normal occurrence on concrete resulting from salts mitigating to the surface.

You can apply a coat of paste wax to the surface with a damp cloth, then buff it off with a fine scotchbrite pad to add a layer of shine to your concrete as well.





CRETE



[WWW.CRETE.DESIGN](http://WWW.CRETE.DESIGN)