

CRETE

Circular

Concrete Firepit Table

Ø 3'6" W x 1'5" H



WWW.CRETE.DESIGN

Circular

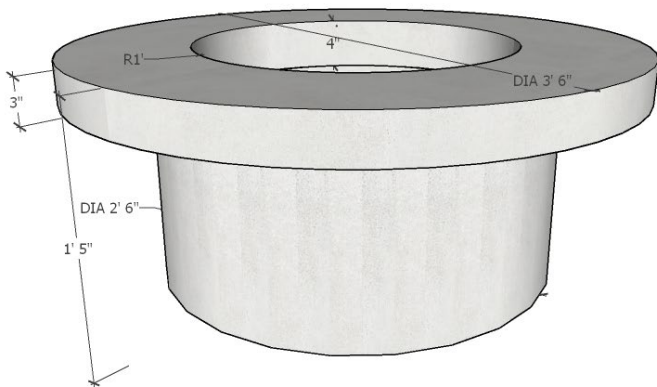
120k BTU/hr

Concrete Firepit Table

Our Fire Tables are designed to embody the principals of Scandinavian and Wabi-Sabi design.

They embrace the unavoidable changes that the processes of nature create over time to age gracefully and remain a beautiful gathering place for generations.

Crete firepits are hand-made by Crete Design in Wisconsin, USA. They ship with a compatible Warming-Trends burner in your choice of LP or NG, decorative aggregate, and the appropriate installation kit.

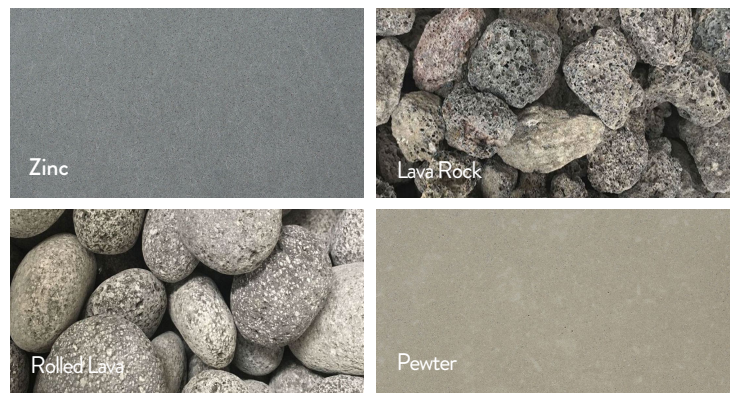


Weights

Top	120lb
Base	115lb
Total	235lb

Compliant with the following codes:

1. 2021, 2018, 2015, 2012, and 2009 International Fire Code ©(IFC)
2. 2021, 2018, 2015, 2012, and 2009 International Fuel Gas Code ©(IFGC)
3. 2018, 2015, 2012, and 2009 Uniform Mechanical Code © (UMC)*
4. 2020, 2015, and 2010 Natural Gas and Propane Installation Code**



715-293-3101

info@crete.design

Compliant with the following standards:

1. ANSI Z21.97/CSA 2.41-2017 Outdoor Decorative Gas Appliances
- * Uniform Plumbing code is a copyrighted publication of the International Association of plumbing and Mechanical Officials.
**Copyrighted publication of Canadian Standard Association.