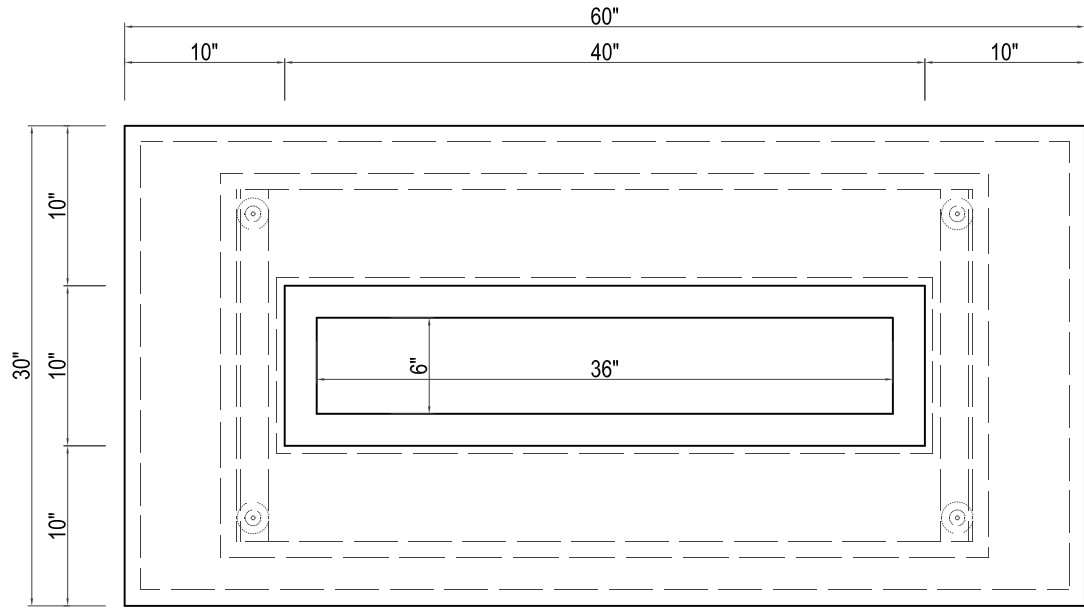
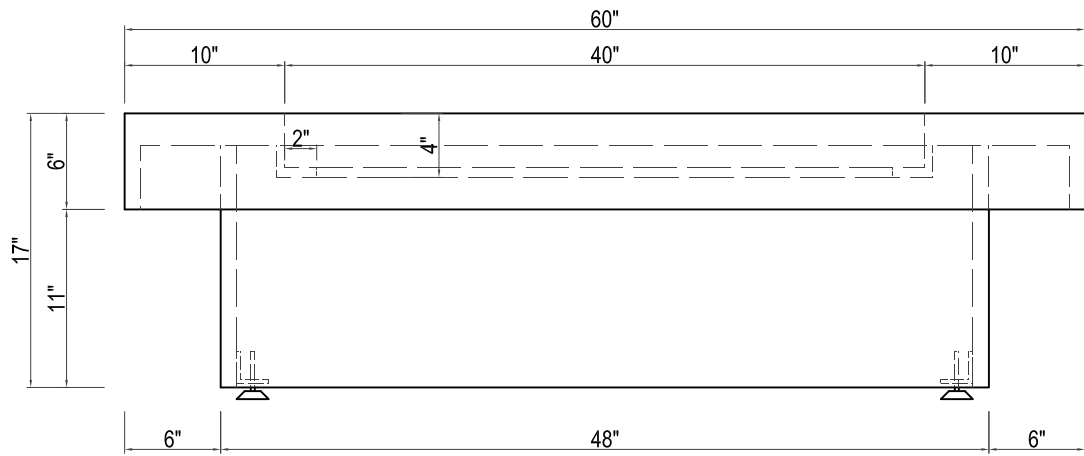


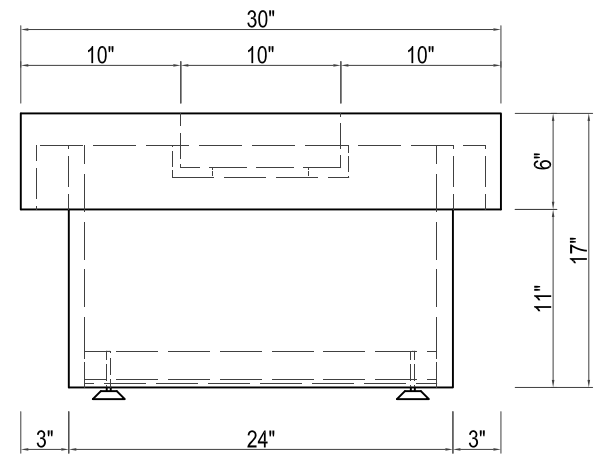
**TOPLINA**  
60"W X 30"D X 17"H



**TOP VIEW**



**FRONT VIEW**



**SIDE VIEW**