

CRETE

PRODUCT CATALOG



Timeless, conscientious, concrete made

We are committed through innovation, design and craft to produce finely finished, one-of-a-kind, concrete products.

From conception to completion, we are dedicated to environmentally responsible design.

Durable

We utilize a proprietary mix of High Performance Glass Fiber Reinforced Concrete. Each burner unit is made from brass, so unlike other burner units made from stainless steel, it will not rust. Our burner manufacturer offers the industry's leading warranty.

Easy Installation

Our product weighs 30-70% less than traditional wet-cast concrete, reducing the risk of injury to personnel during transportation and installation. Since each piece is its own reinforcement, you can drill and cut the material on-site using basic carpentry tools.

Design

Since our concrete is made in-house, we are able to collaborate with designers to create innovative, customizable solutions.

Quality

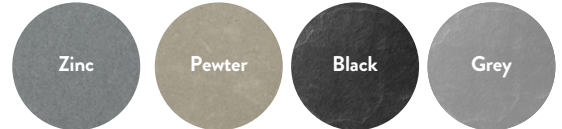
Each piece is handcrafted by talented artisans from our own production facility located in Baldwin, WI. Crete utilizes an extensive finishing protocol to ensure each piece is made to exacting standards.

Platz

Square Concrete Fire Pit Table



Color:



Aggregate:



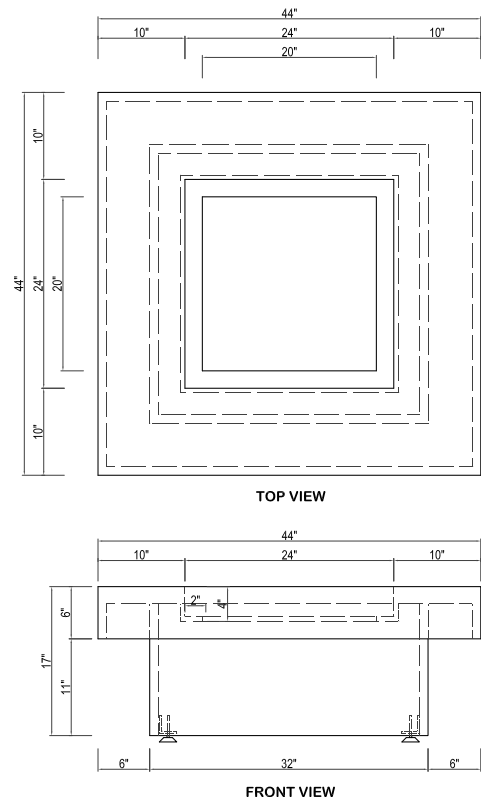
Size:

Large (44") · 120 BTU
Small(36") · 70 BTU

Our Fire Tables are designed to embody the principles of Scandinavian and Wabi-Sabi design. They embrace the unavoidable changes that the processes of nature create over time to age gracefully and remain a beautiful gathering place for generations.

They ship with a compatible Warming-Trends brass burner in your choice of LP or NG, decorative aggregate, and the appropriate installation kit.

715-293-3101
info@crete.design

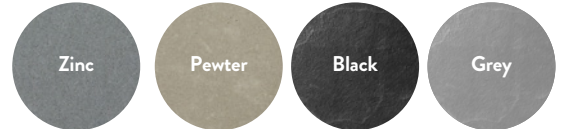


Mirasol

Circular Concrete Fire Pit Table



Color:



Aggregate:

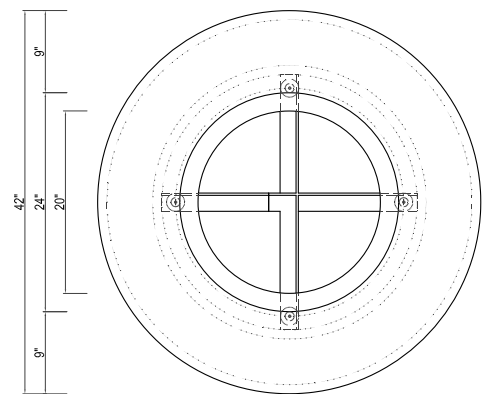


Size:

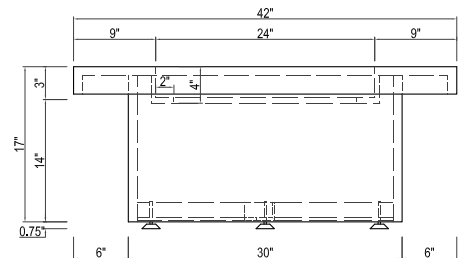
Large (42") • 120 BTU
Small(36") • 70 BTU

Our Fire Tables are designed to embody the principles of Scandinavian and Wabi-Sabi design. They embrace the unavoidable changes that the processes of nature create over time to age gracefully and remain a beautiful gathering place for generations.

They ship with a compatible Warming-Trends brass burner in your choice of LP or NG, decorative aggregate, and the appropriate installation kit.



TOP VIEW



FRONT VIEW

715-293-3101
info@crete.design

Lineal

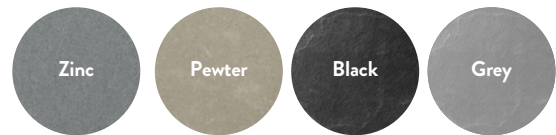
Rectangular Concrete Fire Table



Our Fire Tables are designed to embody the principles of Scandinavian and Wabi-Sabi design. They embrace the unavoidable changes that the processes of nature create over time to age gracefully and remain a beautiful gathering place for generations.

They ship with a compatible Warming-Trends brass burner in your choice of LP or NG, decorative aggregate, and the appropriate installation kit.

Color:

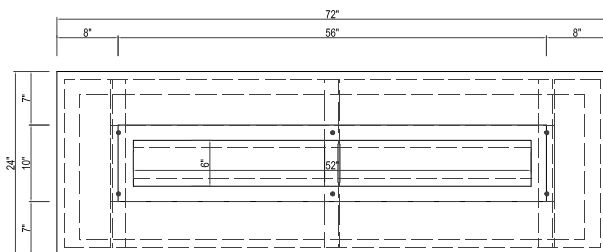


Aggregate:

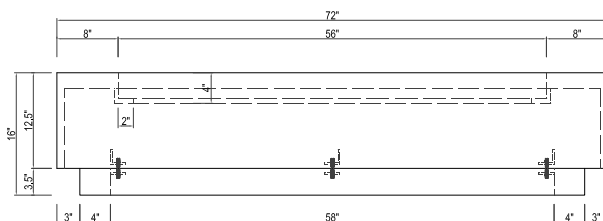


Size:

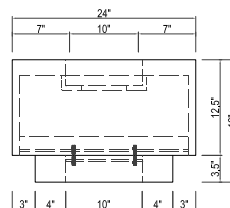
Large (74" x 24" x 16") · 240 BTU
Small (60" x 24" x 16") · 190 BTU



TOP VIEW



FRONT VIEW



SIDE VIEW

715-293-3101
info@crete.design

WWW.CRETE.DESIGN

Terraza

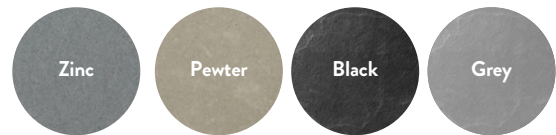
Concrete Fire Table



Our Fire Tables are designed to embody the principles of Scandinavian and Wabi-Sabi design. They embrace the unavoidable changes that the processes of nature create over time to age gracefully and remain a beautiful gathering place for generations.

They ship with a compatible Warming-Trends brass burner in your choice of LP or NG, decorative aggregate, and the appropriate installation kit.

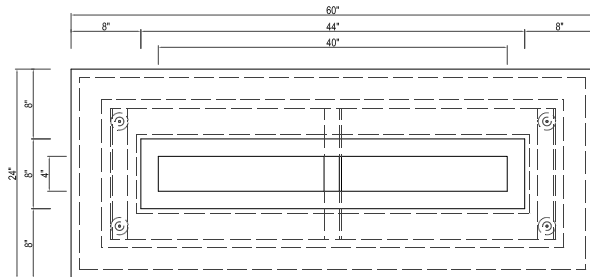
Color:



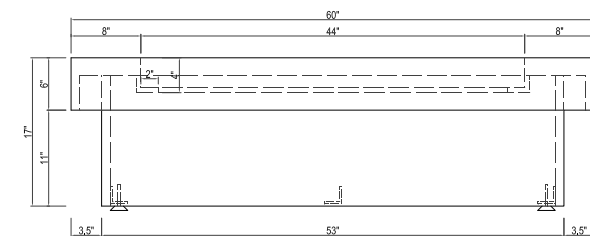
Aggregate:



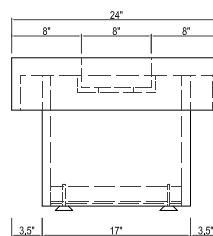
Size: (60" x 24" x 17") · 190 BTU



TOP VIEW



FRONT VIEW



SIDE VIEW

715-293-3101
info@crete.design

WWW.CRETE.DESIGN

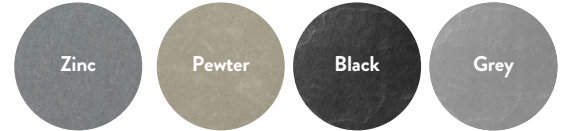


Kylindros

Cylinder Concrete Fire Pit Table



Color:



Aggregate:

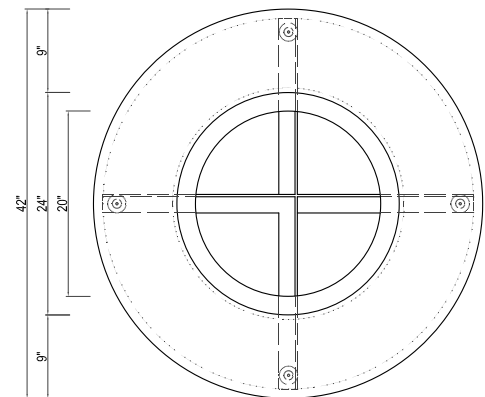


Size:

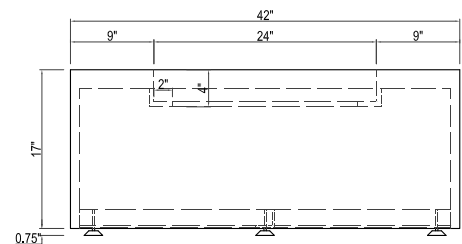
Large (42") · 120 BTU
Small(36") · 70 BTU

Our Fire Tables are designed to embody the principles of Scandinavian and Wabi-Sabi design. They embrace the unavoidable changes that the processes of nature create over time to age gracefully and remain a beautiful gathering place for generations.

They ship with a compatible Warming-Trends brass burner in your choice of LP or NG, decorative aggregate, and the appropriate installation kit.



TOP VIEW



FRONT VIEW

715-293-3101

info@crete.design

Toplina

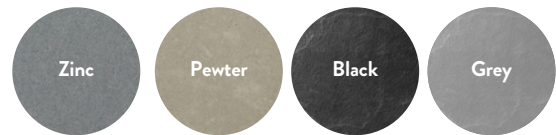
Rectangular Concrete Fire Pit Table



Our Fire Tables are designed to embody the principles of Scandinavian and Wabi-Sabi design. They embrace the unavoidable changes that the processes of nature create over time to age gracefully and remain a beautiful gathering place for generations.

They ship with a compatible Warming-Trends brass burner in your choice of LP or NG, decorative aggregate, and the appropriate installation kit.

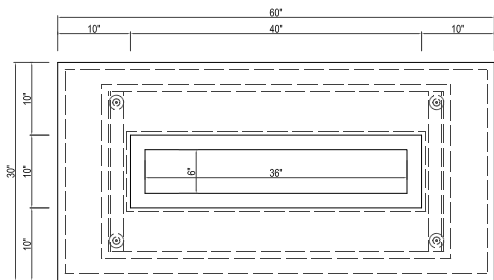
Color:



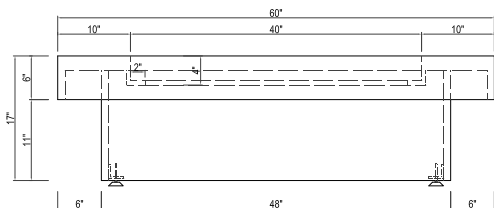
Aggregate:



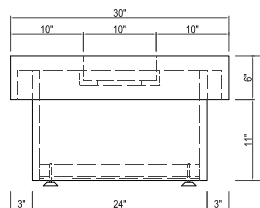
Size: (60" x 30" x 17") · 190 BTU



TOP VIEW



FRONT VIEW



SIDE VIEW

715-293-3101
info@crete.design

WWW.CRETE.DESIGN

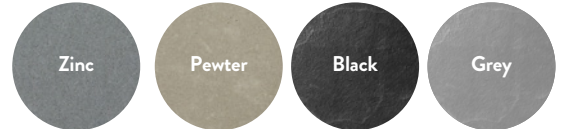


Conique

Concrete Fire Bowl



Color:



Aggregate:



Size:

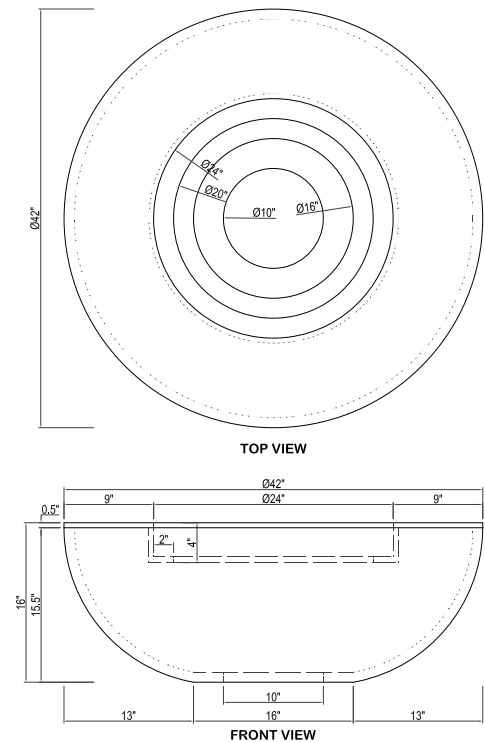
Large (42") • 120 BTU
Small (36") • 70 BTU

Our Fire Tables are designed to embody the principles of Scandinavian and Wabi-Sabi design. They embrace the unavoidable changes that the processes of nature create over time to age gracefully and remain a beautiful gathering place for generations.

They ship with a compatible Warming-Trends brass burner in your choice of LP or NG, decorative aggregate, and the appropriate installation kit.

715-293-3101
info@crete.design

WWW.CRETE.DESIGN

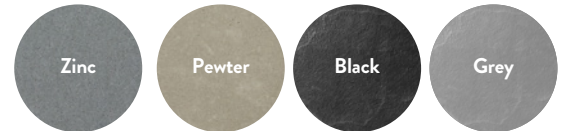


Cubo

Concrete Fire Bowl



Color:



Aggregate:



Size:

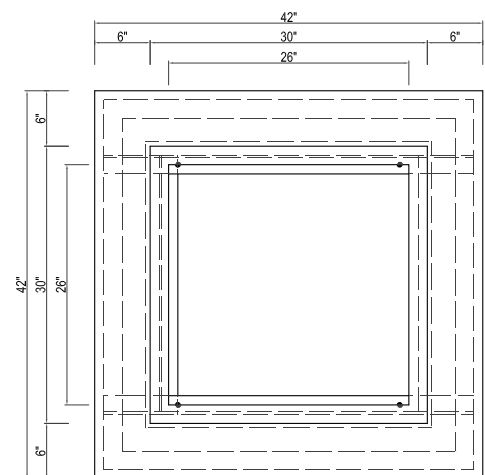
Large (42" x 42" x 16") • **120 BTU**
Medium (36" x 36" x 16") • **70 BTU**
Small (30" x 30" x 16") • **70 BTU**

Our Fire Tables are designed to embody the principles of Scandinavian and Wabi-Sabi design. They embrace the unavoidable changes that the processes of nature create over time to age gracefully and remain a beautiful gathering place for generations.

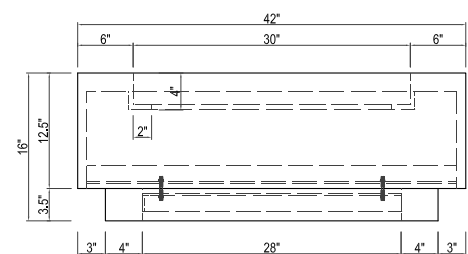
They ship with a compatible Warming-Trends brass burner in your choice of LP or NG, decorative aggregate, and the appropriate installation kit.

715-293-3101
info@crete.design

WWW.CRETE.DESIGN



TOP VIEW



FRONT VIEW

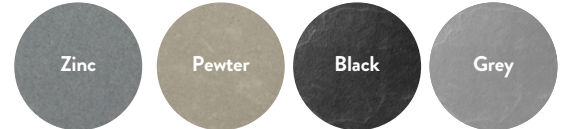


Rund

Cylindrical Concrete Fire Bowl



Color:



Aggregate:

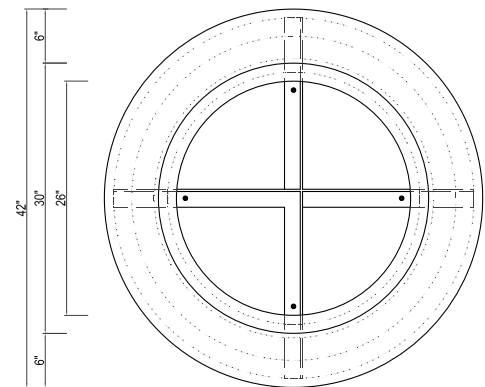


Size:

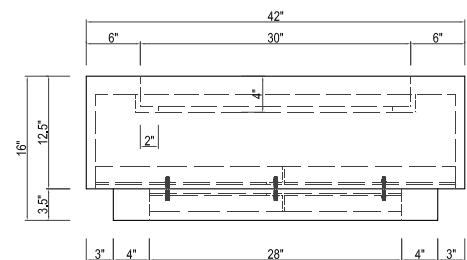
Large (42") • 120 BTU
Medium (36") • 70 BTU
Small (30") • 70 BTU

Our Fire Tables are designed to embody the principles of Scandinavian and Wabi-Sabi design. They embrace the unavoidable changes that the processes of nature create over time to age gracefully and remain a beautiful gathering place for generations.

They ship with a compatible Warming-Trends brass burner in your choice of LP or NG, decorative aggregate, and the appropriate installation kit.



TOP VIEW



FRONT VIEW

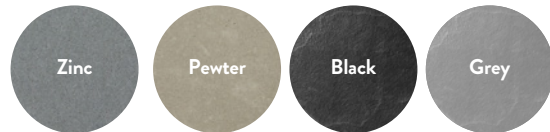
715-293-3101
info@crete.design

Square

Concrete Propane Tank Enclosure



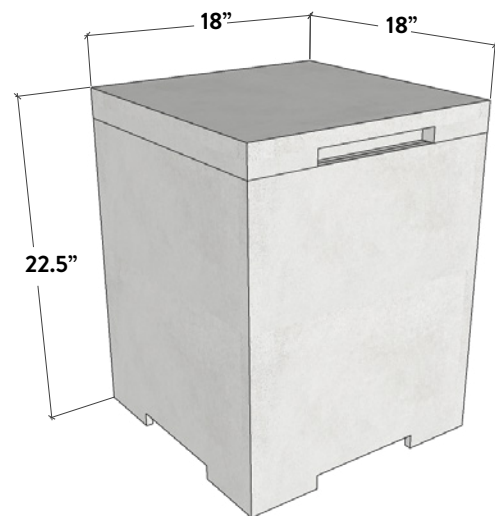
Color:



This Concrete Propane Tank Enclosure works well with our line of fire tables/bowls.

Heat-resistant glass fiber reinforced concrete conceals your propane tank even while it's in use.

Available in both Zinc and Pewter finishes.



Weight
Total 85lb

715-293-3101
info@crete.design

WWW.CRETE.DESIGN

Compliant with the following codes:

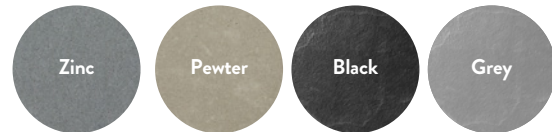
1. 2021, 2018, 2015, 2012, and 2009 International Fire Code ©(IFC)
2. 2021, 2018, 2015, 2012, and 2009 International Fuel Gas Code ©(IFGC)
3. 2018, 2015, 2012, and 2009 Uniform Mechanical Code © (UMC)*
4. 2020, 2015, and 2010 Natural Gas and Propane Installation Code**

Round

Concrete Propane Tank Enclosure



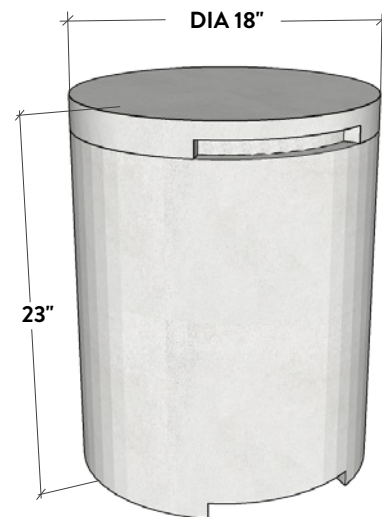
Color:



This Concrete Propane Tank Enclosure works well with our line of fire tables/bowls.

Heat-resistant glass fiber reinforced concrete conceals your propane tank even while it's in use.

Available in both Zinc and Pewter finishes.



Weight
Total 85lb

715-293-3101
info@crete.design

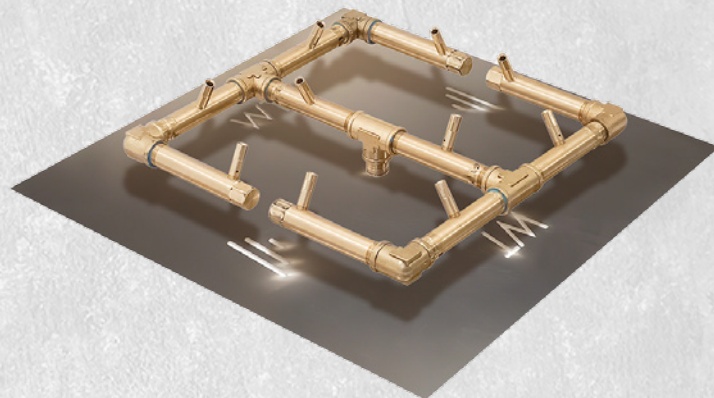
WWW.CRETE.DESIGN

Compliant with the following codes:

1. 2021, 2018, 2015, 2012, and 2009 International Fire Code ©(IFC)
2. 2021, 2018, 2015, 2012, and 2009 International Fuel Gas Code ©(IFGC)
3. 2018, 2015, 2012, and 2009 Uniform Mechanical Code © (UMC)*
4. 2020, 2015, and 2010 Natural Gas and Propane Installation Code**

Timeless, conscientious, concrete made

Our Fire Tables embody the principals of Scandinavian and Wabi-Sabi design. They embrace the unavoidable changes that the processes of nature create over time to age gracefully and remain a beautiful gathering place for generations.



Brass burner in your choice of LP or NG
70 - 120 -190 -240 BTU
British Thermal Units



Secure Packing & Delivery

We will ship any of our concrete products within the 50 states. Since we are closely involved with the fabrication of each piece crafted we ensure that every piece shipped is carefully crated and packaged to the same exacting standards it was made.



Guaranteed Quality

We will provide technical assistance for the life of our product. We believe in using the best raw materials and admixtures to create beautiful and functional concrete art that will last for generations to come.



Ease of Maintenance

Concrete products require little maintenance, just cleaning with mild soap





CRETE

T: 715-293-3101

2231 US HWY 12
BALDWIN, WI 54002

