

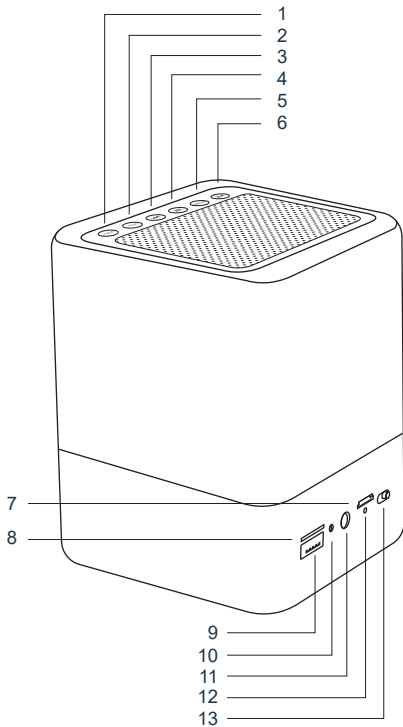
WIRELESS SPEAKER  
ALARM CLOCK  
LESKWAC



USER MANUAL

## Function Overview:

1. Volume Up
2. Volume Down
3. Next
4. Previous
5. Mode
6. Play/Pause
7. Charging Port
8. TF Card Slot
9. USB Port
10. Microphone
11. Audio Input
12. Light Indicator
13. On/Off



## How to use the Speaker

<b>Pause</b> Press . . . . .	▶  /⏻
<b>Play</b> Press . . . . .	▶  /⏻
<b>Answer Call</b> Press . . . . .	▶  /⏻
<b>End Call</b> Press and hold . . . . .	▶  /⏻
<b>Decline Call</b> Press and hold . . . . .	▶  /⏻
<b>Redial last call</b> Press twice. . . . .	▶  /⏻
<b>Next Song</b> Press . . . . .	▶▶
<b>Previous Song</b> Press. . . . .	◀◀
<b>Volume Up</b> Press . . . . .	VOL+
<b>Volume Down</b> Press. . . . .	VOL-
<b>Change Mode</b> Press. . . . .	MODE

## Product User Guide

### General

#### Turn ON/OFF

Toggle the switch on the rear of the alarm clock to on or off to operate.

#### Charging and re-charging

Insert charging cable into micro USB port marked DC5V. The **LED** indicator turns red when charging and turns off when fully charged. Fully charge before first use.

## Clock Functions

### Clock Mode/ Bluetooth® Music Mode

Switch between Clock mode and Bluetooth® music mode by pressing the **MODE** button.

### Setting the Clock

When in clock mode, press and hold the **PLAY/PAUSE** button. To move between hours and minutes, press and hold the play/ pause button again. To adjust the time quickly press the **NEXT/PREVIOUS** song button.

### Setting the Alarm

To turn alarm clock functionality on, ensure you are in clock mode. Press the **PLAY/PAUSE** button to toggle between alarm on and alarm off.

To set the alarm time, when in clock mode, press and hold the **MODE** button. To move between hours and minutes, press and hold the **MODE** button again. To adjust the **Alarm** time press the **NEXT/PREVIOUS** button.

### Alarm Off or Snooze Alarm

To snooze the alarm press the **PLAY/PAUSE** button. To turn off the alarm for the day press **NEXT/PREVIOUS** song button

## Speaker Functions

### Wireless Music Function

Look for the ID relevant to the colour of your product **LESKWAC** and connect on your device (phone, tablet etc.) and select it to connect. There is a prompt sound once the speaker is successfully connected. Play music from your smart device and enjoy music on the go.

## Phone Calls

When there is an incoming call, the unit will pause playback and ring to alert you of the call. To answer press the **PLAY/PAUSE** button. To end call press **PLAY/PAUSE** button. To reject a call, press and hold the **PLAY/PAUSE** button. To redial the last number called press **PLAY/PAUSE** button twice. On completion of the call the speaker will automatically recommence playback.

## AUX Function

Use a 3.5mm AUX-In cable to connect your media device through the AUX port on the speaker. Connect other end of the AUX cord to your device. You can now play music through the speaker.

## USB Play

Play music from a USB Flashdrive by inserting the USB into the USB port. Supports MP3 format files. Press the play button to start playback.

## TF Card

Play music from a TF card by inserting the card into the TF card port. Press the play button to start playback.

## Lighting Functions

### White Light Mode

Initially, when switched on for the first time the LED will be in white light mode. To change the dimming when in white light mode tap the top of the unit on the mesh to desired brightness.

## Switching Between White/ Colour Light Modes

To switch between white light mode and colour mode tap and hold the top of the unit on the mesh.

## Colour Modes

To change between different colour modes tap the mesh top.

Touch	Colour
1	Red Light
2	Green Light
3	Blue Light
4	Orange Light
5	Pink Light
6	Light Blue Light
7	Multi- Colour Cycle
8	Multi-Colour Breathing Cycle
9	Off

## Safety Instructions

- Device may become warm while charging.
- Do not press the buttons too hard as it could damage the product.
- Do not leave in direct sunlight for extended periods of time during hot weather.
- Only use a dry cloth to keep product clean from dust.
- Do not use chemicals on this product.
- Avoid dropping the product as it could damage the product.

## Specifications

- Size: 95 x 115 x 95mm
- Weight: 390g
- Speaker Output: 5W
- Frequency Range: 100Hz-18KHz
- Charging voltage: 5V d.c
- Working Distance: 10m
- Battery Capacity: 1200mAh
- Material: Plastic

## Contents

- 1 x Wireless Alarm Clock
- 1 x Charging Cable
- 1 x User Manual

**WARNING** Do not dispose of unit in fire or water. • Never attempt to disassemble and reassemble. • Waste electrical products should not be disposed of with household waste, please recycle where facilities exist. • Check with your local authority for recycle advice. • Keep your device and all accessories out of the reach of children and animals. • Small parts may cause choking or serious injury if swallowed. • Avoid exposing your device to very cold or very hot temperatures (below 0°C or above 45°C). • Extreme temperatures can cause deforming of the device and reduce the charging capacity and life of your device. • Do not allow your device to get wet—liquids can cause serious damage. • Do not handle your device with wet hands.



**Liquid Ears™**

PO Box 5658 Brendale QLD Australia 4500  
Customer Support 1800 812 261

**[www.liquidears.com](http://www.liquidears.com)**

DESIGNED IN AUSTRALIA

