

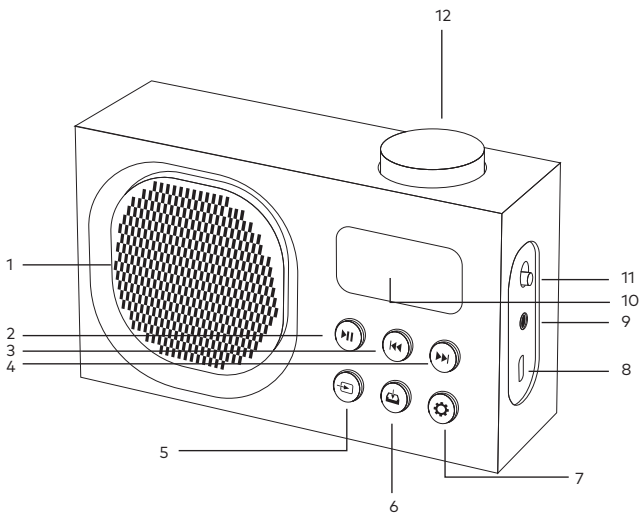
# DAB+ AND FM DIGITAL RADIO WIRELESS SPEAKER

LEDABWCR



USER MANUAL

## Function Overview:



1. **Speaker**
2. **ENTER button**

DAB+/FM mode: Press and hold -- Automatic searching for available radio channels

DAB+/FM/MENU mode: Press -- Confirm / Enter
3. **SKIP-** (Previous) button
4. **SKIP+** (Next) button
5. **MODE button**

Press -- Switch between DAB+ / Bluetooth / FM modes

Press and hold -- Adjust display brightness
6. **PRESET button**

DAB+/FM mode: Press -- Go to stored radio station list

Press and hold -- Add current radio station to the radio list
7. **INFO/MENU button**

Press -- Show DAB+ information

Press and hold -- Enter system set up

Alarm Clock mode: Press -- Select Snooze time
8. **Micro USB charging port**
9. **Audio jack**
10. **LCD display**
11. **POWER switch ON/OFF**
12. **VOLUME knob**

Turn the knob -- Adjust the volume

Press -- Mute on/off

Press and hold -- Playback mode / Standby mode switching

In **Standby** mode, only time and date are displayed. No playback function.

## **DAB+ Radio**

1. When powering on the device for the first time, it will go to DAB+ mode directly and start automatic searching. The available DAB+ stations will be stored after the search is completed.
2. Press **SKIP+/-** button to select radio station and press **ENTER** button to play.
3. Press **INFO** button to check the text information of current DAB+ radio station.
4. Press and hold **PRESET** button to add current radio station to the radio list, press **SKIP+/-** button to select the list number you want to use, then press **ENTER** button to confirm.
5. Press **PRESET** button to go the radio list, press **SKIP+/-** button to select radio station and press **ENTER** button to play.

## **FM Radio**

1. Press **MODE** button to switch to FM radio mode.
2. Press and hold **ENTER** button for 3 seconds to start searching FM radio channels. The available channels will be stored after the search is completed.
3. Press **SKIP+/-** button to adjust radio frequency by 0.05MHz each time. Press and hold **SKIP+/-** button to start automatic searching for next/previous radio station.
4. Press and hold **PRESET** button to add current radio station to the radio station list, press **SKIP+/-** button to select the list number you want to use, then press **ENTER** button to confirm.
5. Press **PRESET** button to go to the radio station list, then press **SKIP+/-** button to select your desired station and press **ENTER** button to confirm.

## Wireless Music Play

1. Press **MODE** button to switch to BT mode.
2. Use your Bluetooth enabled device, go into settings and "Add Device", then search for "LEDABWCR" and click it to connect.
3. Play music on the music list from your Bluetooth enabled device. Press **SKIP+/-** button to go to next/previous songs.
4. Press **ENTER** button to play/pause the music. Press **VOLUME** knob to mute the sound.

## System Setting

1. Press and hold **MENU** button to enter Menu set up. Press **SKIP +/-** button to go to <System>, press **ENTER** button and press **SKIP +/-** button again to select <Backlight/Contrast Set/Alarms/Sleep/EQ (Equaliser)/Time and Date/Language/Factory Reset/System Version>. Press **ENTER** button to confirm.
2. Press **MENU** button to exit setting menu.

## Time and Date Setting

1. Under **DAB+** radio mode, if there is **DAB+** signal that can be connected, the device will automatically synchronise the local time.
2. Manual Time setting:
  - a. Follow **System Setting** instruction to go to <Time/Date>, press **ENTER** button to go to <Set Time/Date>, and press **ENTER** button again to confirm.
  - b. Press **SKIP +/-** button to select date, press **ENTER** button to confirm. Follow same instruction to set up month, year, minute and hour.

- c. To set up 12 or 24 hour system, go to <Set Time/Date>, then press **SKIP +/-** button to go to <Set Hour System> and select.
- d. Go to <Set Time/Date>, then press **SKIP +/-** button to go to <Set Date Format> for your referred date format.

## **Alarm Clock Setting**

This device can set 2 sets of alarms, operation as below:

1. Follow **System Setting** instruction to go to <Alarms>, press **ENTER** button to go to <Alarm 1> or press **SKIP +/-** button to go to <Alarm 2>, press **ENTER** button to confirm.
2. Press **SKIP +/-** button to select alarm hour, press **ENTER** button to confirm and move to set up minute, press **ENTER** button to confirm.
3. Press **SKIP +/-** button to select alarm source (Buzzer/FM/DAB), press **ENTER** button to confirm.
4. Press **SKIP +/-** button to select alarm duration (Once/Daily/Weekends/Workday), press **ENTER** button to confirm.
5. Press **SKIP +/-** button to select alarm volume, and press **ENTER** button to confirm.
6. Press **SKIP +/-** button to select **ON** or **OFF**, and press **ENTER** button to confirm. Once the alarm is successfully set up, a small alarm symbol will appear on the display screen.
7. Once the alarm goes off, press **VOLUME** knob to stop the alarm, or turn the knob to choose Snooze time (5/10/15/30 minutes). Press **ENTER** button to active Snooze function.
8. Once the alarm is turned off, the device automatically enters Standby mode. Press and hold **VOLUME** knob to switch to Playback mode.

## **Sleep Timer Setting**

1. Follow **System Setting** instruction to go to <Sleep> and press **ENTER** button to confirm.
2. Press **SKIP +/-** button to select timer (OFF/15/30/45/60/75/90 minutes), and press **ENTER** button to confirm. The device will enter Standby mode after selected time.
3. Press and hold **VOLUME** knob to exist Standby mode.

## Specifications:

### Speaker:

- Speaker output: 2W
- Frequency response: 120Hz - 18KHz
- S/N ratio:  $\geq 70$ dB
- Distortion:  $\leq 1\%$
- DC power supply: Micro-USB 5V1A
- Alkaline battery: 3 x AA

### Adaptor:

- Input: 100V-240V 50/60Hz 0.5A
- Output: 5V1A



WARNING Do not dispose of unit in fire or water. • Never attempt to disassemble and reassemble. • Waste electrical products should not be disposed of with household waste, please recycle where facilities exist. • Check with your local authority for recycle advice. • Keep your device and all accessories out of the reach of children and animals. • Small parts may cause choking or serious injury if swallowed. • Avoid exposing your device to very cold or very hot temperatures (below 0°C or above 45°C). • Extreme temperatures can cause deforming of the device and reduce the charging capacity and life of your device. • Do not allow your device to get wet—liquids can cause serious damage. • Do not handle your device with wet hands.

## Liquid Ears™

PO Box 5658 Brendale QLD Australia 4500  
Customer Support 1800 812 261

[www.liquidears.com](http://www.liquidears.com)

DESIGNED IN AUSTRALIA

