



SaniSupreme

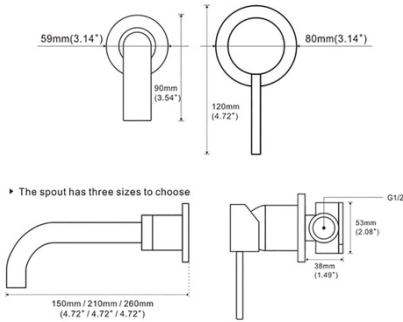
B e t a a l b a a r D e s i g n

Installatie instructie

wastafel kraan



INSTALLATION MANUAL



1085

BEFORE YOU BEGIN

We recommend consulting a professional if you are unfamiliar with installing plumbing fixtures. Signature Hardware accepts no liability for any damage to the plumbing, floor, walls, tub, or for personal injury during installation.

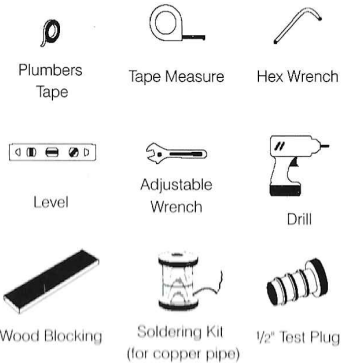
Observe all local plumbing and building codes.

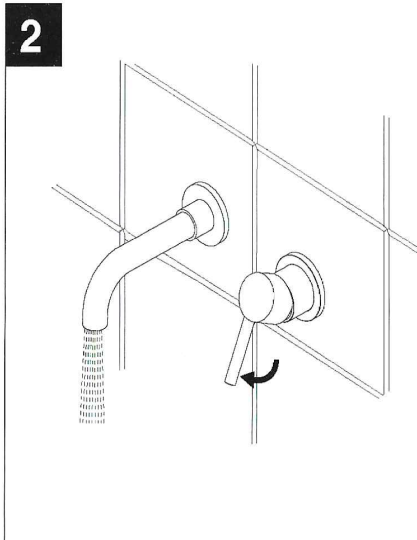
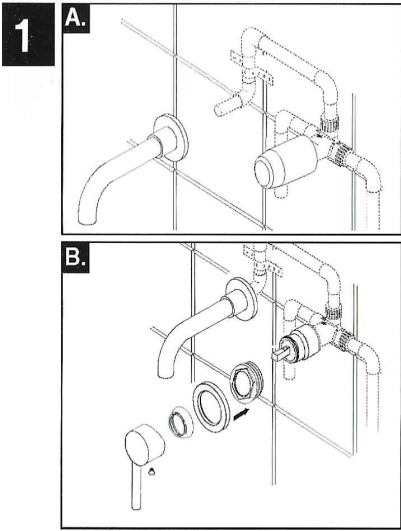
Unpack and inspect the items for shipping damage. If any damage is found, contact our Customer Relations team

GETTING STARTED

- Ensure that you have gathered all the required materials that are needed for the installation
- For the following installation instructions, it is assumed that the wall has been opened and that the existing shower set has been removed
- Before you begin, the main water supply to your home should be shut off.

TOOLS AND MATERIALS:





*Note: JL002 is included in spout J11085

