



L-Band 8 WAY ACTIVE SPLITTER SHELF

SL-SP8/A*-DC#

Description

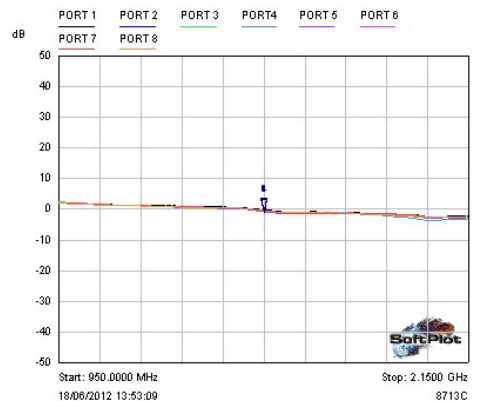
The Global Professional rack mount L-BAND ACTIVE 8 way Splitter has been designed to split the L-band from a typical satellite system with negligible insertion loss. The product has been designed to allow modules to be rack mounted for ease of installation.

Dual redundant power supplies are fitted as standard and a wide range of connector options are available.



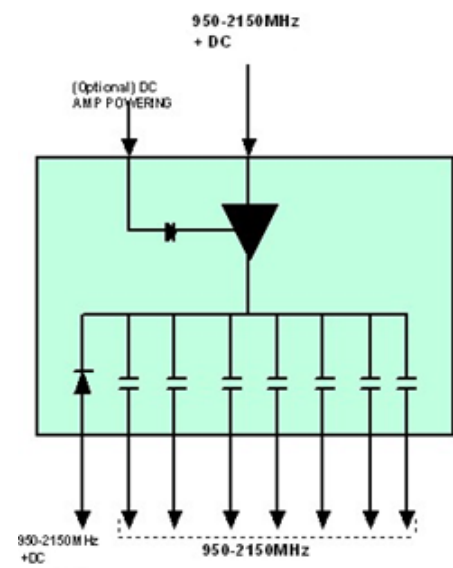
Specifications

Frequency Pass 950MHz - 2150MHz	Port 1, 2, 3, 4, 5, 6, 7, 8
L Band Through Loss 950 –2150MHz	+0.3dB ±3dB
Port to Port Isolation	20dB
Return Loss	15dB
DC Passing Options #	<ul style="list-style-type: none"> • DC Passing port 1 Only • DC blocked All Ports • DC Passing All Ports
MAX DC Current (Passing)	5 AMP
Max DC Passing Voltage	48 Volts
Input Voltage	230V AC
Connector Options*	<ul style="list-style-type: none"> • N' Type 50 Ohm Female • 'SMA' 50 Ohm Female • 'F' 75 Ohm Female • 'BNC' 50 Ohm Female • 'BNC' 75 Ohm Female • 'TNC' 50 Ohm Female
External Dimensions	1U
Weight	3.8kg
RoSH/WEEE Compliant	YES



Mkr	Trace	X-Axis	Value	Notes
1	PORT 1	1.5500 GHz	-0.32 dB	
2	PORT 2	1.5500 GHz	-0.52 dB	
3	PORT 3	1.5500 GHz	-0.52 dB	
4	PORT 4	1.5500 GHz	-0.72 dB	
5	PORT 5	1.5500 GHz	-0.78 dB	
6	PORT 6	1.5500 GHz	-0.48 dB	
7	PORT 7	1.5500 GHz	-0.59 dB	
8	PORT 8	1.5500 GHz	-0.49 dB	

LBand



Typical Configuration

**All systems are designed and built to order.
Please contact us to discuss your exact requirements.**