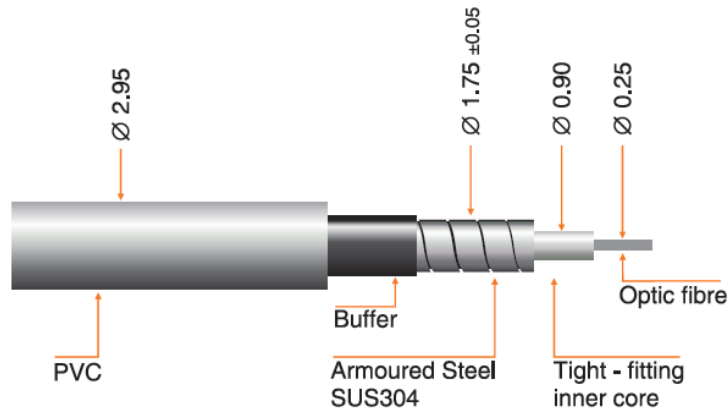


GI - 3.0 Fibre Cable

Internal/external Fibre Optic Cable



Features

- Suitable for indoor/outdoor use
- LSZH
- Lengths from 1m to 500m
- ITU-T G657a Optical Fibre
- Available in un-terminated or pre-terminated lengths
- 3mm outer diameter

3mm ITU-T G.657A reduced bend sensitivity single mode armoured internal/external drop cable.



Product Part No.

GI—3mm armoured cable	F700***
-----------------------	---------

DC specifications

Parameter	Unit	Value
Crush	N	3000
Storage temperature	°C	-40 to +80
Operating temperature	°C	-15 to +75
Nominal weight	kg/km	11.4
Nominal outer diameter	mm	2.95 ± 0.2
Maximum tensile load	N	500
Concussion	Nm	4.5 (5 times)
Minimum bend radius	mm	15