

**STAKIT ETOP2 TurboTip Impact Drill Bit Set**

**NEW**

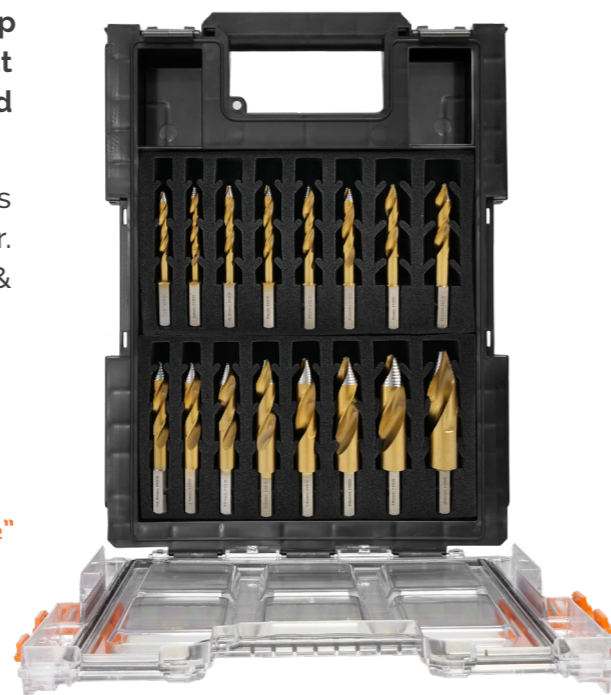
VersaDrive® TurboTip Impact drill bits are stepped tip bits that drill at twice the speed of standard bits without the need for pilot drilling while cutting a perfectly round hole.

Turbocharge your drilling performance by using this revolutionary tool with an impact wrench or impact driver. Double hardened and titanium coated for faster drilling & reduced wear.

**Contents:**

12 x VersaDrive® TurboTip Impact Drill Bits  
3/16, #7, 7/32, 1/4, #F, 9/32, 5/16, 11/32, 3/8, 27/64, 7/16, 1/2"

1 x **STAKIT** ETOP2 Half Top Case



**FM24-209016-SET12**

Trade Price **\$429**  
Offer Price **\$257**

**ImpactaBite Bolt Extraction System**

**NEW**

The ImpactaBite Bolt Extraction system offers a fast, easy solution to removing broken bolts or seized studs. A vast improvement to using traditional hand operated eazy-outs.

The ImpactaBite system uses impact rated left-hand drill bits to pilot drill and loosen problem fastenings before bolt extractors are fitted and used to impact out the stuck bolt or stud, the impact feature helping to break the grip caused by corroded or damaged threads.

**7/32 - 7/8" BOLT EXTRACTION SET**

Trade Price  
**\$265**

Offer Price  
**\$159**



**FM24-2040EX-SET1**

**7/32 - 1-1/8" STAKIT ETOP2 BOLT EXTRACTION SET**

**Includes**



**FM24-2040EX-SET2**

Trade Price  
**\$419**

Offer Price  
**\$251**

**VersaDrive® Rapid-Lock Adapter InsertFoam Set**

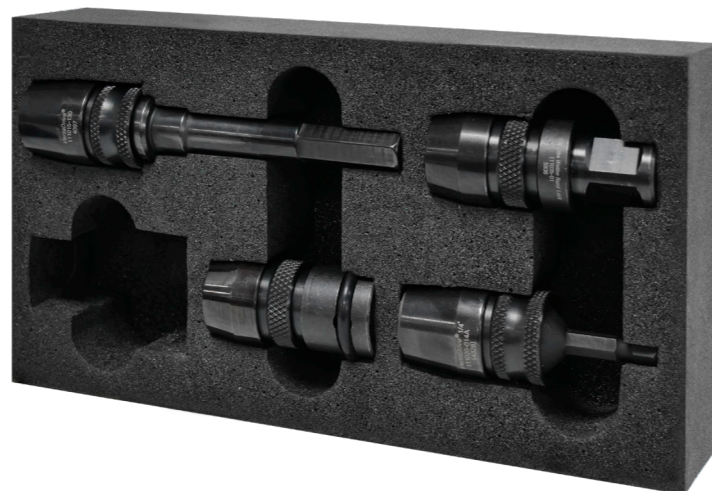
**NEW**

Convert a wide variety of power tools for use with the VersaDrive® system of cutting and drilling tools with the VersaDrive® Rapid-Lock adapter set.

**Contents:**

1 x 1/4" VersaDrive® Rapid-Lock Impact Driver Adapter  
1 x 1/2" VersaDrive® Rapid-Lock Impact Wrench Adapter  
1 x VersaDrive® Rapid-Lock Magnet Drill Adapter  
1 x VersaDrive® Rapid-Lock 5" Extension Arbor

Supplied in a Small InsertFoam  
Fits **STAKIT** ETOP2 or ETOP4 top cases  
(available separately)



**FM24-111005-SET1**

Trade Price **\$247**  
Offer Price **\$148**

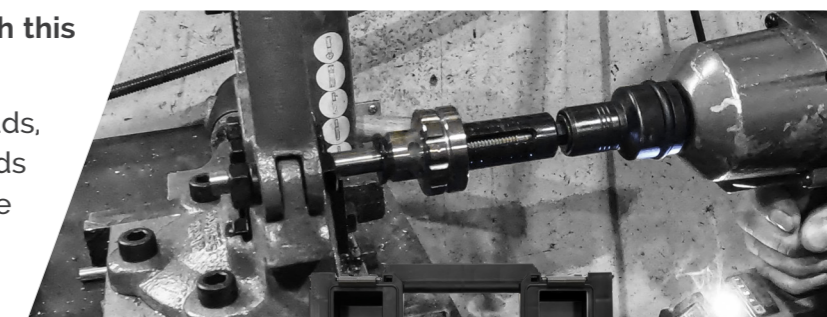
Offers valid through May 31st. Subject to TAX at standard rate. Subject to Holemaker Technology standard terms and conditions

**VersaDrive® ImpactaDie Impact Die Threader**

**NEW**

Create external threads quickly and easily with this unique patent-pending impact die system.

Ideal for both creating/extending new threads, repairing existing damaged/deformed threads or cleaning old threads clogged with surface coatings, rust or other unwanted material that can prevent threads mating and turning properly.



**Inch Contents:**

1 x ImpactaDie holder  
1 x Guide Collar  
1 x Flush Collar  
1 x ImpactaBurr Chamfer Tool  
1/4, 5/16, 3/8, 1/2" UNC Guides  
1/4, 5/16, 3/8, 1/2" UNC Hex Die Nuts  
1 x **STAKIT** ETOP2 Half Top Case

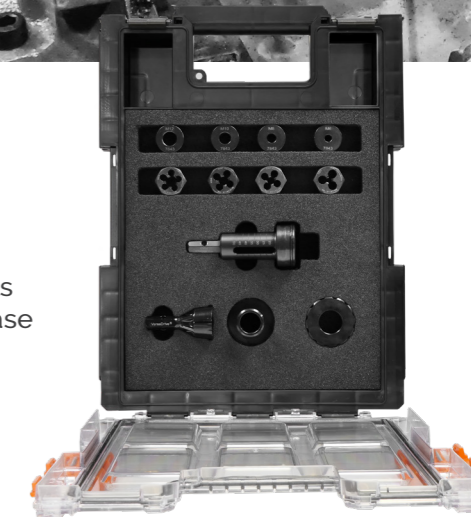
**Metric Contents:**

1 x ImpactaDie holder  
1 x Guide Collar  
1 x Flush Collar  
1 x ImpactaBurr Chamfer Tool  
M6, M8, M10, M12 Guides  
M6, M8, M10, M12 Hex Die Nuts  
1 x **STAKIT** ETOP2 Half Top Case

Trade Price  
**\$339**

Offer Price  
**\$203**

Offers valid through May 31st. Subject to TAX at standard rate.



**FM24-115820-SET (Inch)**  
**FM24-115810-SET (Metric)**



**STAKIT V36 Install SiteKit**

**NEW**

**HMT V36 (18 Volt) Cordless Magnet Drill**

**NEW**



The V36 18V Install SiteKit is the ultimate lightweight portable drilling package.

The new Cordless V36 18V magdrill install sitekit offers the ultimate jobsite freedom. Operate away from mains power. Compatible with the Makita LXT battery platform. Broaching capacity to 1-3/8", drilling to 1/2".

The VersaDrive installation kit gives a bestselling selection of cutting tools for overcoming installation and maintenance challenges. Includes the bestselling sizes of Impact Reamers, ImpactaTaps, TurboTip Impact Drillbits, CarbideMax TCT Holesaws, and 5 modular adapters.

The wheeled sitecart gives additional storage space for further tooling. All items clip together securely for safe and efficient transportation around the work area.

**Contents:**

- 1 x **STAKIT** Site Installation Kit (supplied in **STAKIT** Mid Case)
- 1 x VersaDrive<sup>®</sup> V36 Cordless Magnet Drill Kit (Supplied in **STAKIT** Base 200 case)
- 1 x **STAKIT** SiteCart



**FM24-STC-KIT-V36INS-2B**

Trade Price **\$3315**  
Offer Price **\$2415**

Offers valid through May 31st. Subject to TAX at standard rate. Subject to Holemaker Technology standard terms and conditions

Increase your jobsite solutions with this unique cordless magdrill, the most compact & lightweight unit in its class. Market-leading 5-1/2" stroke which is ideal for extra-long broach cutters and VersaDrive<sup>®</sup> cutting tools.

The 18V, 9Ah battery pack is compatible with the entire range of Makita LXT powertools.

Permanent magnet provides safe & powerful hold, even on thin materials, eliminating any risk of power failure to the magnet.



**FEATURES & BENEFITS**

- Available with **STAKIT** sitecase & 2 9.0Ah batteries or Bare machine
- Compatible with Makita LXT batteries
- Up to 49 x 11/16" holes per charge (3/8" plate)
- Weighs just 21.9lb for easy handling

**TECHNICAL SPECIFICATIONS**

CUTTER SIZE RANGE	1/2 - 1-3/8" TCT
MAX CUTTER LENGTH	4"
TWIST DRILL CAPACITY	1/2"
COUNTERSINKING	1"
REAMING	N/A
TAPPING	N/A
LENGTH	12-3/4"
WIDTH (Inc Handles)	7-1/4"
HEIGHT (Min-Max)	11 - 16-1/4"
STROKE	5-1/2"
WEIGHT	21.9 lb
MAGNET (L X W)	21.9 lb
MAGNETIC ADHESION	1435 lb
MOTOR POWER	1000W
TOTAL POWER	1000W
SPEED RPM (No Load)	530
SPINDLE	3/4" Weldon
ARBOR	Integral 3/4" Weldon
COOLANT SYSTEM	Optional Extra
WARRANTY	1 Yr
BATTERY CAPACITY	18V Ah/ 9 Ah Li-ion



**V36 MAG DRILL KIT**

**FM24-805036-020**

**FM24-805036-010**

**V36 BARE MACHINE**

Trade Price **\$1989**

Offer Price **\$1453**

Trade Price **\$1660**

Offer Price **\$1162**

Kit supplied in **STAKIT** Base 200 case, with Rapid-Lock VersaDrive<sup>®</sup> adapter, 2 batteries & battery charger\*

