

XTU

GX1S



USER MANUAL

PTZ Battery-Powered Security Camera

CATALOG

● WARM SUPPORT	01
● PRODUCT DESCRIPTION	02
● HOW TO ADD A CAMERA TO APP	04
Download "Cloud Edge" APP	04
Register Account	06
Power on Camera	07
Connect WI-FI Steps	08
● MOUNTING THE CAMERA TO THE WALL	12
● FUNCTION INTRODUCTION	15
Main Page	15
Preview page	15
Video replay page	16
Setup page	17
Device Sharing	18
SD card recording	18
PIR motion detection settings	19
Battery Management	21
● TROUBLESHOOTING/FAQ	25
● SOLAR PANEL QUICK START GUIDE	27

WARM SUPPORT

Dear Friends,

Congratulations on purchasing one of the best security cameras on the market! We appreciate your business and want to earn your trust. Please refer to the notes below and follow the instructions in this manual to ensure that you use the action camera correctly and have a good experience with this product.

If your camera does not seem to be functioning properly, please check the Troubleshooting/FAQ section. You also can contact our support team:

support@xtucam.com We will provide a fast solution in 24 hours.

Problems are often due to something simple that was overlooked, or require only changing one setting to solve.

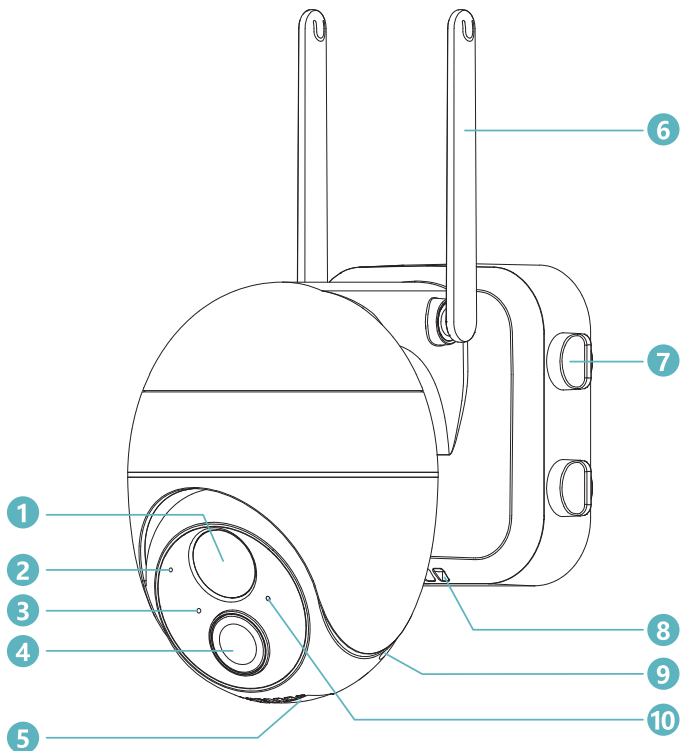
Thank you again for ordering from XTU. We truly appreciate your business. We LOVE our customers and we will always be here with our professional camera engineers.

Wishing you the best,
XTU Customer Support Team



SCAN ME

PRODUCT DESCRIPTION



1 PIR Sensor

2 Microphone

3 Power Light

4 Lens

5 Power Key
Reset Key
SD Card Slot

6 Wi-Fi Antenna

7 Thumb Screw

8 USB Charge Port

9 Speaker

10 Working Status Light

Power Key	Press and hold the power button for 5 seconds to turn on / off the camera
Reset Key	Press and hold RESET for 5 seconds to reset the device to factory setting. (You will hear 'Bugu' if reset successfully)
SD Card Slot	Support local SD card storage (up to 128G)
Lens	Support FHD 1080P resolution
Power Light	Red means charging, Blue means fully charged
Microphone	Capture sound for your videos
PIR Sensor	Can detect moving objects up to 50FT away
Working Status Light	Solid on red : Device is abnormal Flashing red slowly : Ready for Wi-Fi connection Flashing red quickly : Wi-Fi connecting Solid on blue : Wi-Fi connected Successfully
Speaker	Two-way audio output
USB Charge Port	Use 5V/2A USB standard charger and micro USB cable to charge the camera
Thumb Screw	For fixing the camera and the bottom bracket
Wi-Fi Antenna	Using 3DB signal antenna

HOW TO ADD A CAMERA TO APP

1. DOWNLOAD "CLOUDEDGE" APP

Search "CloudEdge" in App Store or Google Play, or scan the QR code below to download and install it on your smartphone.

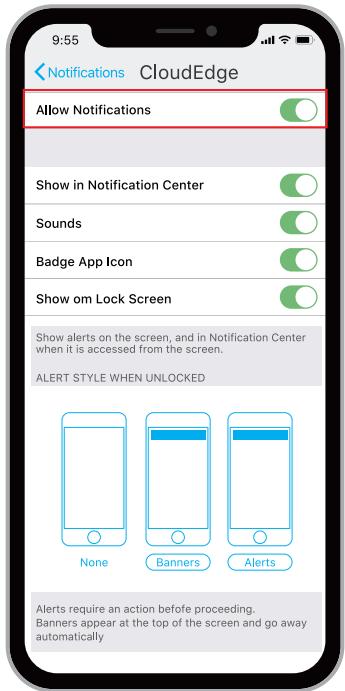
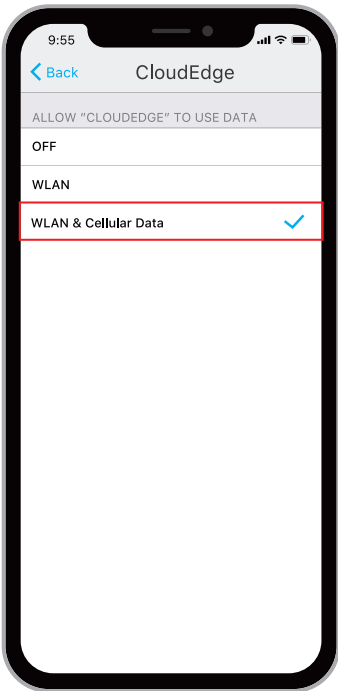


TIPS

Please turn on the following 2 permissions when using the application for the first time,

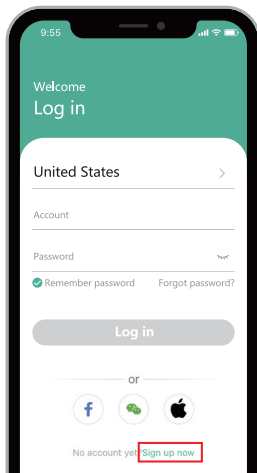
- ① Allow "CloudEdge" to access mobile cellular data and WLAN, otherwise you will not be able to add devices.
- ② Allow "CloudEdge" to receive messages, otherwise the phone will not receive alert push notifications when motion detection or audible alerts are triggered.

The following is a screenshot of iOS cell phone operation, Android cell phone permissions open method is basically the same as this method.

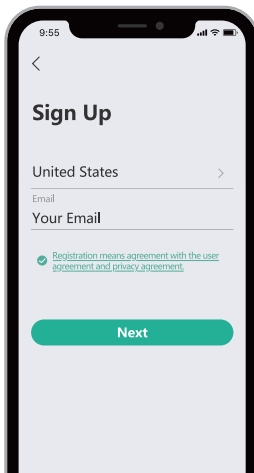


2. REGISTER ACCOUNT

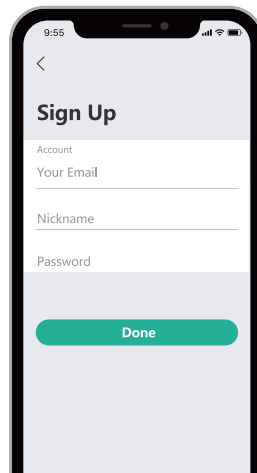
New users must register by email



1. Click on "Sign up now"



2. Input 'Your Email'



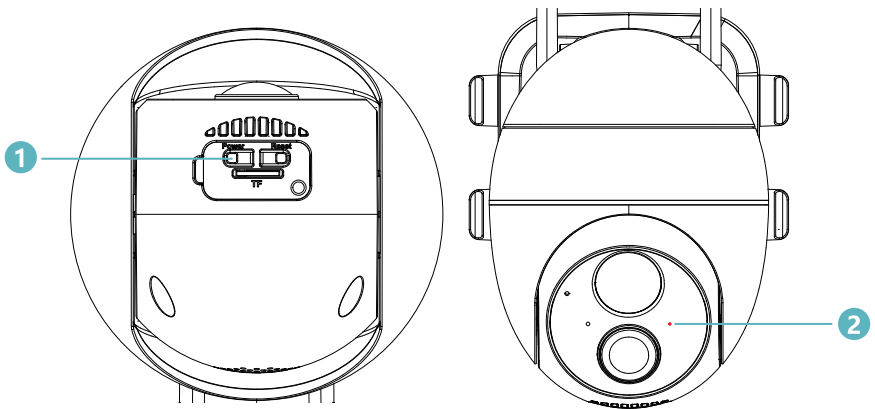
3. Set 'Nickname' and 'Password'

TIP

- ① Please use the correct e-mail.
- ② Please select the correct country code.
- ③ When registering for a new account, please select the region where you are actually located. (Cameras cannot be shared between different registration regions.)

3. POWER ON CAMERA

Find the camera's power-on button and press and hold it for 5 seconds, and you can hear the 'Bugu' (If it can't be powered on, please plug in 5V/2A USB standard adapter to charge the camera for 15 mins first) then the working indicator light up, red light flashing slowly means the camera is waiting for connect to WiFi (If the working status light is not flashing red, please Reset the device)



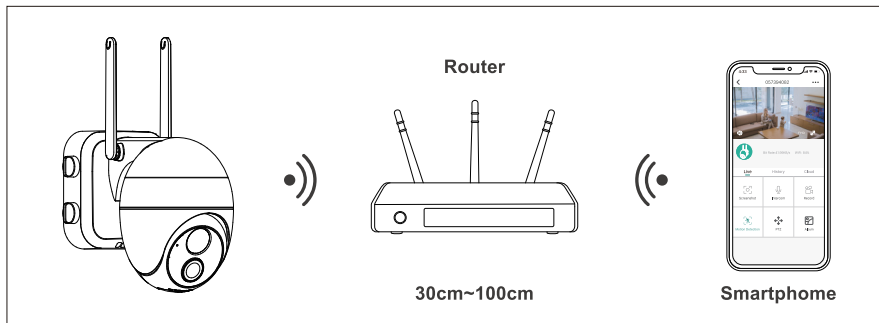
1 Power key

2 Working Status indicator

Why the camera cannot be turned on?

1. Try to charge the device and then turn it on again.
2. Please try several times to hold down the power key Continuously.
3. Contact Customer Support Team: support@xtucam.com
4. Connect WI-FI Steps

4. CONNECT THE CAMERA TO WIFI



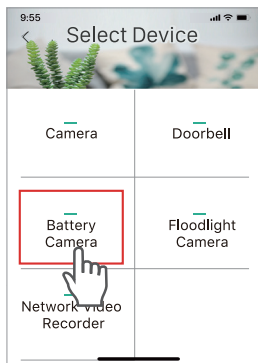
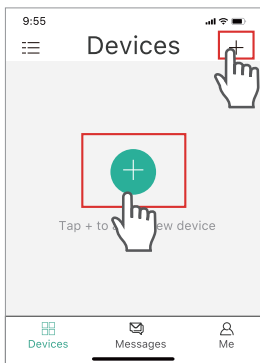
i IMPORTANT:

- ① To connect the camera successfully, please allow Cloudege to use your WLAN & Cellular Data at the first run of this App.
- ② The camera only supports 2.4GHz Wi-Fi.
- ③ Make sure the camera and your mobile device are close to the router.
- ④ Press the Power Button once to wake up the camera from sleep mode and make sure the LED indicator flashes RED slowly.
- ⑤ Insert the Reset Pin into the Reset Hole and press for 5 seconds to reset the camera. There is beeping sound from the camera after a successful reset.

Connecting by Scanning the QR Code

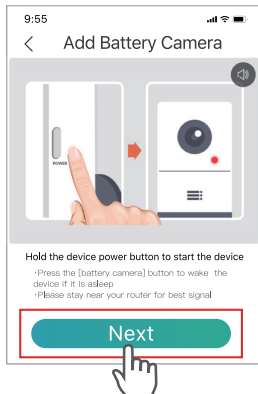
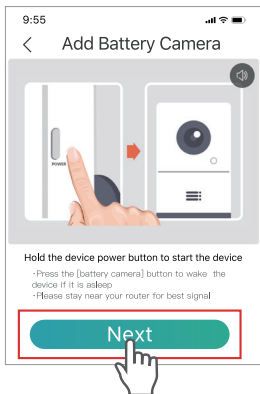
Step 1:

Log in to Cloudedge App, tap '+' to add Battery Camera.

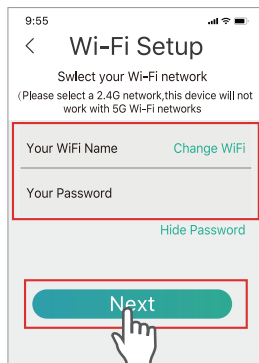
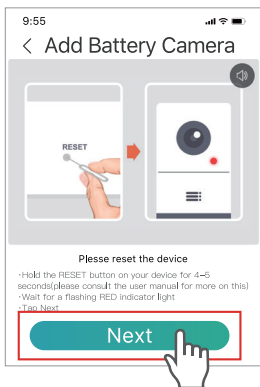


Step 2:

Start to connect the camera.



Make sure the LED indicator flashes RED slowly.



Select your router's Wi-Fi and enter the right password.

Step 3:

Align the QR code on your mobile device with the lens of the camera and keep a distance of 5-8 inches.



Keep your mobile device still and move the camera accordingly.



Tap 'Next' after hearing the beeping sound from the camera.

Processing Steps Of Camera and WI-FI connection failure :

- Please make sure you are using 2.4GHz Wi-Fi. In our experience, most users fail to connect the WI-FI because of selecting 5GHz WIFI and adding the camera incorrectly.
- Make sure you use the correct Wi-Fi password and a fast WI-FI network. (Note: It requires that the Wi-Fi password doesn't have special characters such as (!@#\$))
- Make sure the QR code on the phone screen is normal and the distance between the phone and the camera lens is 10-15cm (3.9-5.9inch) during the scanning process.
- If none of the above steps take effect, please try to re-download the APP, restore the product to factory settings, restart the router, and then add it again.
- After multiple attempts have failed, please contact customer service:
support@xtucam.com

MOUNTING THE CAMERA TO THE WALL

NOTE

In order to obtain the best product performance and avoid unnecessary environmental disturbances, please pay attention to the following during the installation process:

- Do not install the product nearby to the heat sources, such as outdoor units of air conditioners, kitchen exhausts, etc.
- Make sure there are no reflections within 5 feet (1.5 meters) of the PIR sensor, otherwise it will interfere with the normal function of the sensor.
- Try to avoid installing the product on the side of a lively road. Frequent pedestrians and vehicles will keep waking up the camera, resulting in frequent alarm messages and extremely fast power consumption.
- Do not install the product very far from the router, the product needs a good WI-FI signal to work properly.

Extra Tools You need needed:



Step Ladder



Power drill

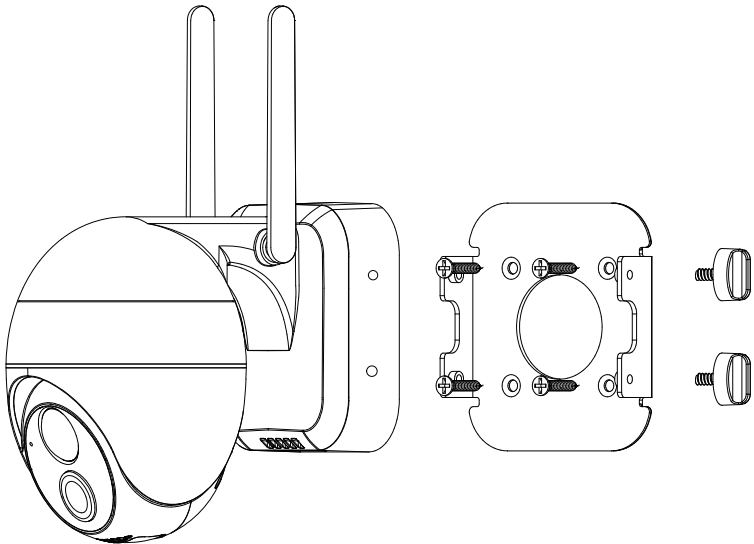
Step 1:

Select the location where you need to install the camera, take the camera and the phone to the location, and use the "Installation Guide" in the application to diagnose the network and determine whether the WI-FI signal at the location is good.

It is recommended to install the camera in a location with good WI-FI signal for smooth camera operation.

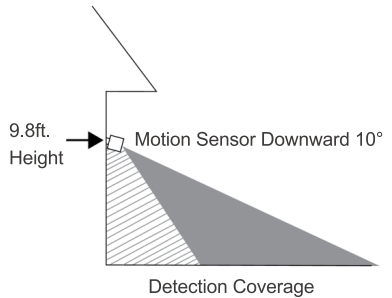
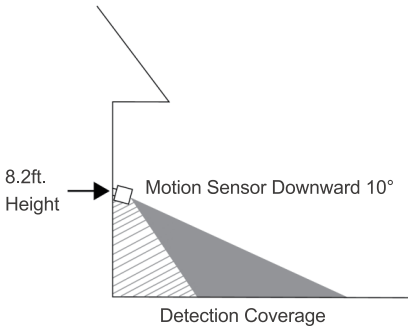
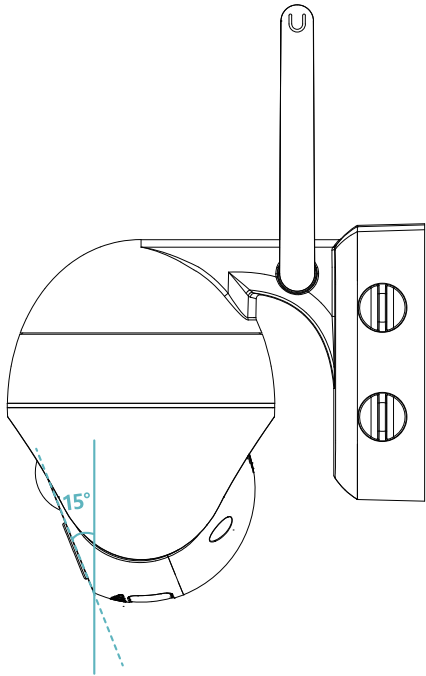
Step 2:

Use Power Drill and four screws. Secure the camera metal bracket to the wall, 8-10 feet off the ground (2.4m-3m) is recommended, snap the camera into the metal bracket and secure the camera with the four thumb screw.



Suggestion:

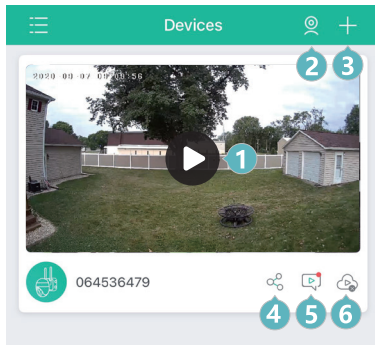
the best downward tilt angle of the lens is 15° to obtain the best alarm detection range.



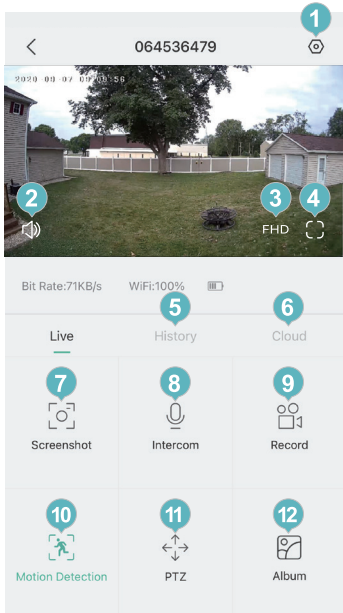
FUNCTION INTRODUCTION

1. MAIN PAGE

- 1 Go to the video browsing page
- 2 Multi-screen viewing
- 3 Adding Devices
- 4 Device Sharing
- 5 View alarm pictures and video
- 6 Cloud Storage



2. PREVIEW PAGE

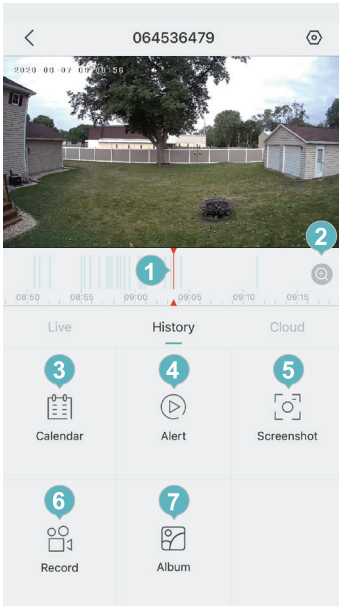


- 1 Enter settings menu(alarm settings, video, lighting, device information, firmware upgrade, etc.)
- 2 Turn on/off the speaker
- 3 Video definition settings (SD, HD options)
- 4 Full screen option
- 5 SD card video playback
- 6 Cloud storage video playback
- 7 Manual Screen-shot
- 8 Voice intercom (long press to talk)
- 9 Manually capture video clips
- 10 Turn on/off motion detection
- 11 Remote PTZ control
- 12 Albums (store screen-shots and manual video files)

TIP

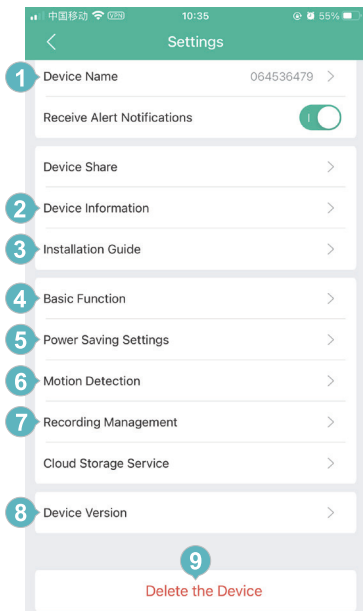
Stretch the video screen with two fingers to zoom in on the image and view image details.

3. VIDEO REPLAY PAGE



- 1 Video timeline with drag-and-drop time selection
- 2 Timeline zoom button
- 3 Select video playback date
- 4 Select alarm video clips
- 5 Video Screen-shot
- 6 Record video, first click to start recording, click again to end recording
- 7 Save video screen-shots and recorded videos

4. SETUP PAGE



- 1 Modify device name (The default is S/N of device)
- 2 Get device information (network information, Mac address, time zone)
- 3 Installation Guide, Network Diagnostics
- 4 Turn off the light, night vision settings, check the battery level
- 5 Set the length of recording, alarm interval, optimize the battery life
- 6 Motion detection settings, adjust the detection sensitivity, etc.
- 7 Video settings, view SD card capacity, format
- 8 Device firmware version information, version upgrade
- 9 Delete the device and operate it before rewiring

5. DEVICE SHARING

Others share camera steps:

This function can be achieved through "Device Share". 1) Invite your friends to download and install "CloudEdge" APP and login. 2) Click the "Device Share"



icon to watch the operation video, and then follow the steps to complete device sharing.

TIP

When sharing, please make sure the APP account is registered in the same region. Otherwise, you will not be able to share successfully.

6. SD CARD RECORDING

This product does not include an SD card. If you need an SD card to store your files, please purchase it by yourself.

SD card requirements:

- Recommend the use of brand name cards such as San Disk, Samsung, etc.
- Support 8-128GB capacity;
- Recommend the use of standard Class 10 SD cards.
- Only FAT32 format is supported.

NOTE

Insert the memory card into the SD card slot of the device and the device will automatically start saving the video.

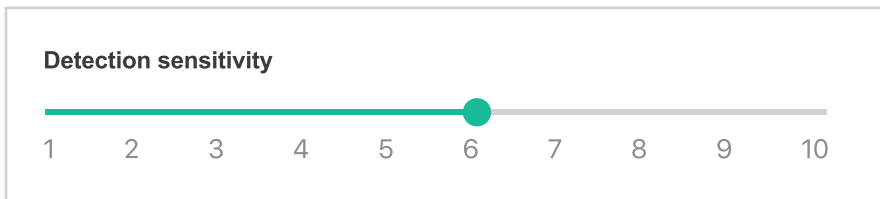
How to watch videos on SD card:

- Click the "History" or "Alert" button on the alarm information icon in the app to enter the video playback interface. Drag the timeline or select the alarm point to find the corresponding time period you want to record.
- Insert the SD card into your computer. The video file is in MP4 format. You can play the video directly using the video player.

7. PIR MOTION DETECTION SETTINGS

Enter the application - "**Settings**" - "**Motion Detection**" interface, you can adjust the motion detection settings.

The device is used for 10 grades of PIR motion detection sensitivity.



※ **1-3** belongs to the Low gear sensitivity, motion detection distance of 4-5 meters.

※ **4-7** belongs to the Med gear sensitivity, motion detection distance of 5-8 meters.

※ **8-10** belongs to the High gear sensitivity, motion detection distance of 8-13 meters.

WARM TIPS

You can adjust the sensitivity of the motion detection to solve the following problems when using this product in the process .

- If the phone receives alarm messages too often, the camera will greatly consume battery power. It is recommended to adjust the motion detection sensitivity downward and set the alarm interval to turn on the alarm plan.
- If it is found that the phone frequently receives alarm pictures without moving objects, there may be sensitive heat sources within the range of motion detection, resulting in PIR false triggering, it is recommended to adjust the sensitivity of motion detection downward.
- If you detect someone passing in front of the camera but cannot receive an alarm message, it is recommended to adjust the motion detection sensitivity upwards to increase the PIR detection range.
- If you find that the alarm picture or video has a delay, or you can only see the back of the person, it is recommended to adjust the motion detection sensitivity upward.
- PIR sensor will be interfered by the ambient temperature, it is recommended to adjust the sensitivity of motion detection upwards in hot temperature environment and downwards in cold temperature environment. At the same time in very low temperatures, heavy clothing will hinder the PIR sensor detection.
- Sunlight UV rays will interfere with the PIR sensor, the camera's PIR in the case of direct exposure to strong sunlight, there is a probability that the alarm is not sensitive and other undesirable phenomena.
- If you notice poor motion detection performance in nighttime environments, try turning off "Night Detection".

8. BATTERY MANAGEMENT

A. Charging the camera

It is recommended to use a 5V/2A power adapter for charging, connect the USB charging cable that comes with the product, and plug the charging cable into the USB charging port of the device.

NOTE

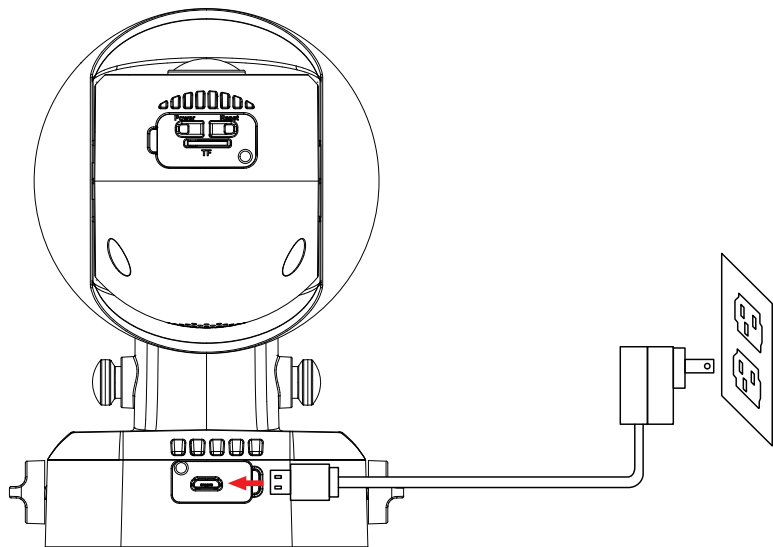
If there is no 5V/2A power adapter, other specifications of 5V power adapter can also be charged.

How to check if charging is successful?

The device's charging indicator lights up in red to indicate charging is in progress. The charging indicator lights up in blue, which means charging is complete. It takes about 10 hours or more to fully charged.

What if the charge fails?

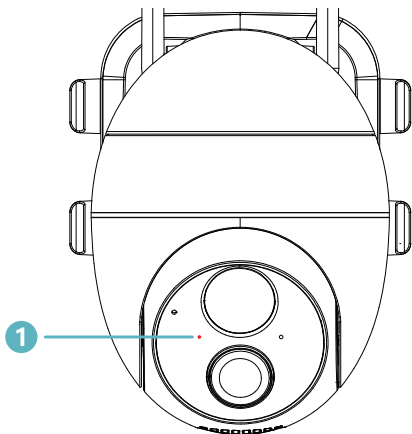
- Check whether the power adapter is good and try a different one.
- Check whether the USB charging cable is good and try a different one.
- The charging indicator may be defective, check in the phone app to see if it is charging.
- Check if the device's charging port is poorly disconnected from the USB charging cable.
- The device has a low temperature charging protection module, please do not charge the device at low temperature.
- Contact Customer Service : support@xtucam.com



1 Power Light

① **Red Light:** Charging

② **Blue Light:**
Charging Completed



B. Battery life

If the device does not detect a moving object, the device will go into sleep mode to reduce the power consumption of the device.

If the device detects a moving object, it quickly wakes up and starts within 1 second and takes a screen-shot and records a video.

WARM TIP:

The device uses a ternary lithium battery, when the battery is in a low-temperature environment, the internal chemicals of the battery will slowly solidify, the battery charging and discharging performance slows down, resulting in a decrease in the capacity of the battery, the life of the device will be seriously reduced. And the lower the temperature, the lower the battery capacity will be, when the temperature is below -20 degrees, the battery has the probability to enter the self-protection mode and shut down. But if the temperature rises, the battery will automatically return to its normal state.

In cold winter, if the device needs to be charged, it is recommended to take the device back inside the house and set it aside for an hour, the warm air in the house will pull up the temperature of the battery before the charging action. Then recharge it.

Why does the device have a poor battery life?

- The working time of the device determines the battery life. The more frequently the PIR wakes up and the number of alarms, the longer the working time of the device. Please check whether the number of alarms is too frequent. It is recommended to adjust the motion detection sensitivity of the device appropriately and set the alarm interval and alarm time plan.
- Check whether there are objects within the field of view of the device that interfere with and trigger the PIR sensor, such as outdoor units of air conditioners, moving cars, passing pedestrians, etc. The angle of the device can be adjusted appropriately to avoid these objects prone to cause interference
- The battery capacity will be reduced in cold weather, which will affect the range of the device.
- Contact Customer Service : support@xtucam.com

TROUBLESHOOTING/FAQ

For more detailed FAQs, please log in the APP, "[Me](#)"-"[FAQ](#)"-"[Battery Camera](#)".

Device prompted offline?

- Check whether the equipment is in the energized state and observe whether the working light of the equipment lights up normally.
- Check whether the WIFI network is good and restart the router.
- If the location of the device according to the router is far away, resulting in the inability to obtain a good WIFI signal, it is recommended to move the router to a closer location, or add a WIFI amplifier to enhance the home WIFI performance.
- Remove the floodlight camera from your CloudEdge account, Reset the device, and then re-add it.
- Check that the device firmware and applications are up to date.

Update router or WIFI password?

- Remove the floodlight camera from your CloudEdge account, Reset the device and re-add it with a new WIFI or password.

Can't play history videos?

- Check the status of SD card in "Settings" and make sure the SD card is successfully recognized.
- Reinsert the SD card.
- In the application, format the SD card.
- Try another new SD card.

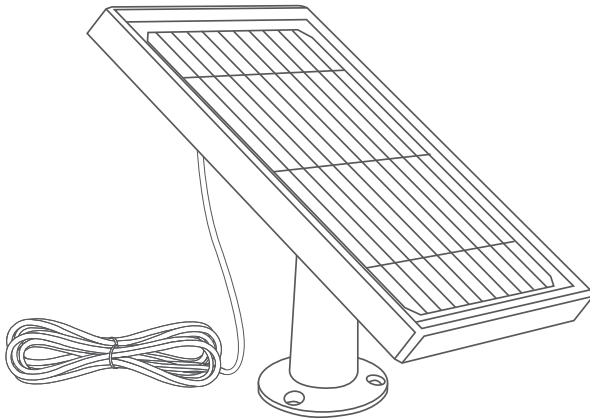
Frequent alarm?

- Open the application, turn down the motion detection alarm sensitivity.
- Check whether there are objects within the field of view of the device that interfere with and trigger the PIR sensor, such as outdoor units of air conditioners, moving cars, passing pedestrians, etc. The angle of the device can be adjusted appropriately to avoid these easy to interfere with objects
- Enable **"The Alert will be triggered only when human motion is detected"** to filter useless alarms using humanoid algorithm.

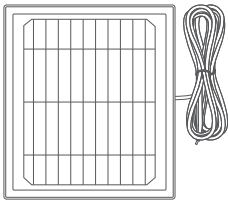
Can't receive alarm on your phone?

- In the system settings of the phone, turn on the push permission of "CloudEdge" application.
- Ensure that the device's motion detection feature is successfully enabled.
- Restart your phone and try clearing the cache on your Android phone.
- Check if the network is good.

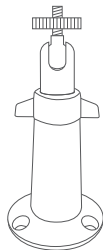
SOLAR PANEL QUICK START GUIDE



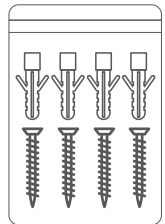
1. PACKING LIST



Solar Panel × 1

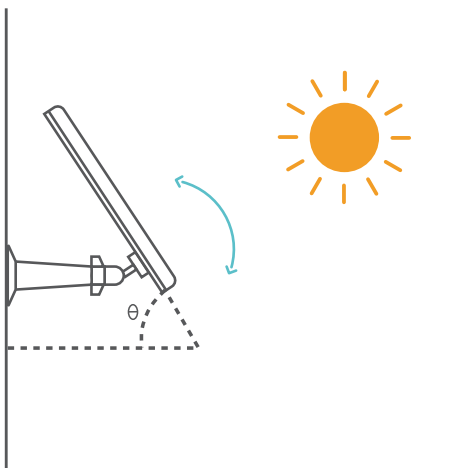


Bracket × 1



Screw Package

2. POSITION & ANGLE SELECTION

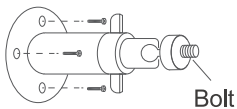


- 1 Select a position where the panel collects sunlight the most throughout the year.
- 2 Adjust it to the ideal angle (Your local latitude+5°) towards the sun.

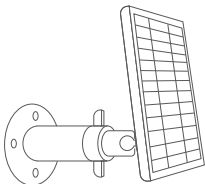
NOTE

It takes only a few hours of direct sunlight that your camera can be powered up by our XTU solar panel. The amount of electricity that the solar panel can produce varies according to the weather, seasons, geographic locations, etc.

3. INSTALLATION



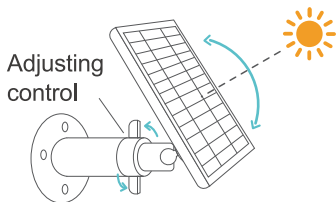
- 1 Mount the bracket on the position that you choose before with the screws provided.



- 2 Fasten the solar panel onto the bracket's bolt until the solar panel is

NOTE

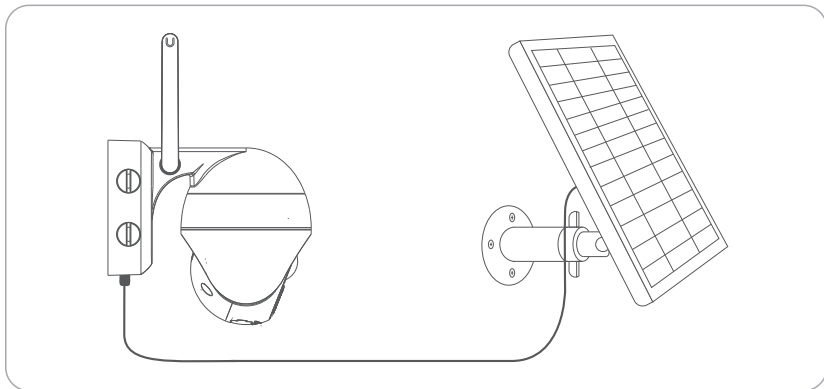
The threaded hold is on the back of the solar panel.



- 3
 - a. Loosen the adjusting control on the bracket.
 - b Adjust the angle of solar panel so that it can receive as much sunlight as possible.
 - c. Fasten the adjusting control to fix the angle of your solar panel.

4. CONNECT TO CAMERA

Connect the solar panel to XTU GX1S camera with the micro-USB connector.

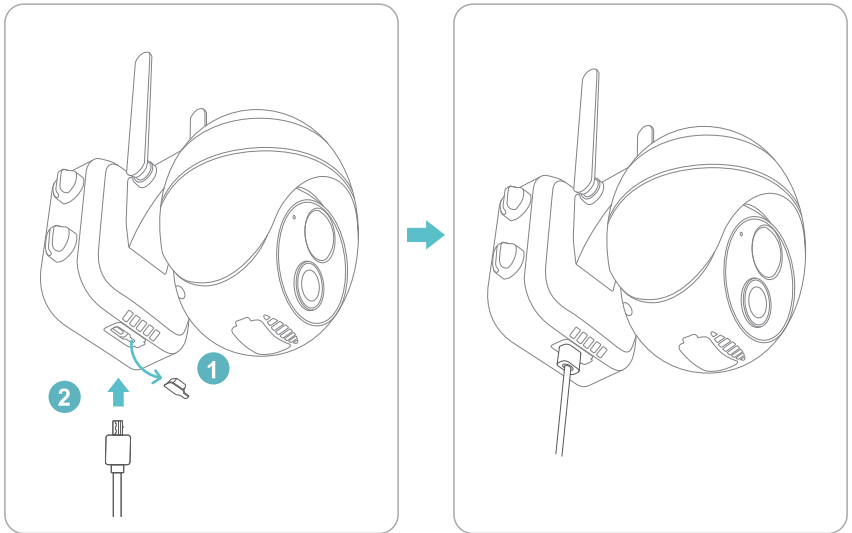


NOTE

- Make sure your solar panel is uncovered. The generating efficiency of solar covered.
- Please tilt your solar panel at a certain angle thus there is no standing water or dust on it's surface.
- Remove the dust or leaves on the panel regularly if there are.

5. CONNECTION SAFETY

Make sure the camera is connected to the weatherproof cover tightly all the way.



NOTE

The weatherproof cover is to protect your camera from water and dust. A loose connection may lead to an electricity.

