

AXOR Massaud
AXOR Massaud Pressure Balance Trim
 Finishes : **chrome** Part no. : **18978001**



Description

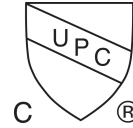
Features

- Integrated bypass for use with diverter tub spouts
- Temperature and on/off control for 1 outlet

Item details

List Price \$ 504.00

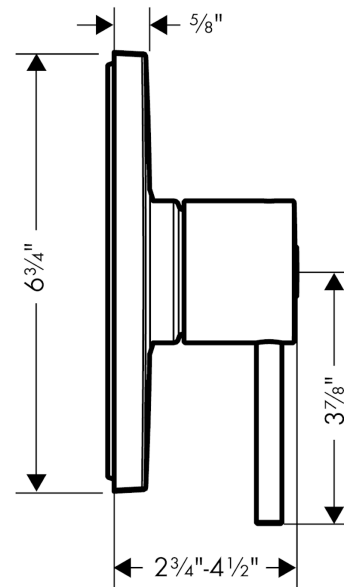
Compliance



Product image



Scale drawing

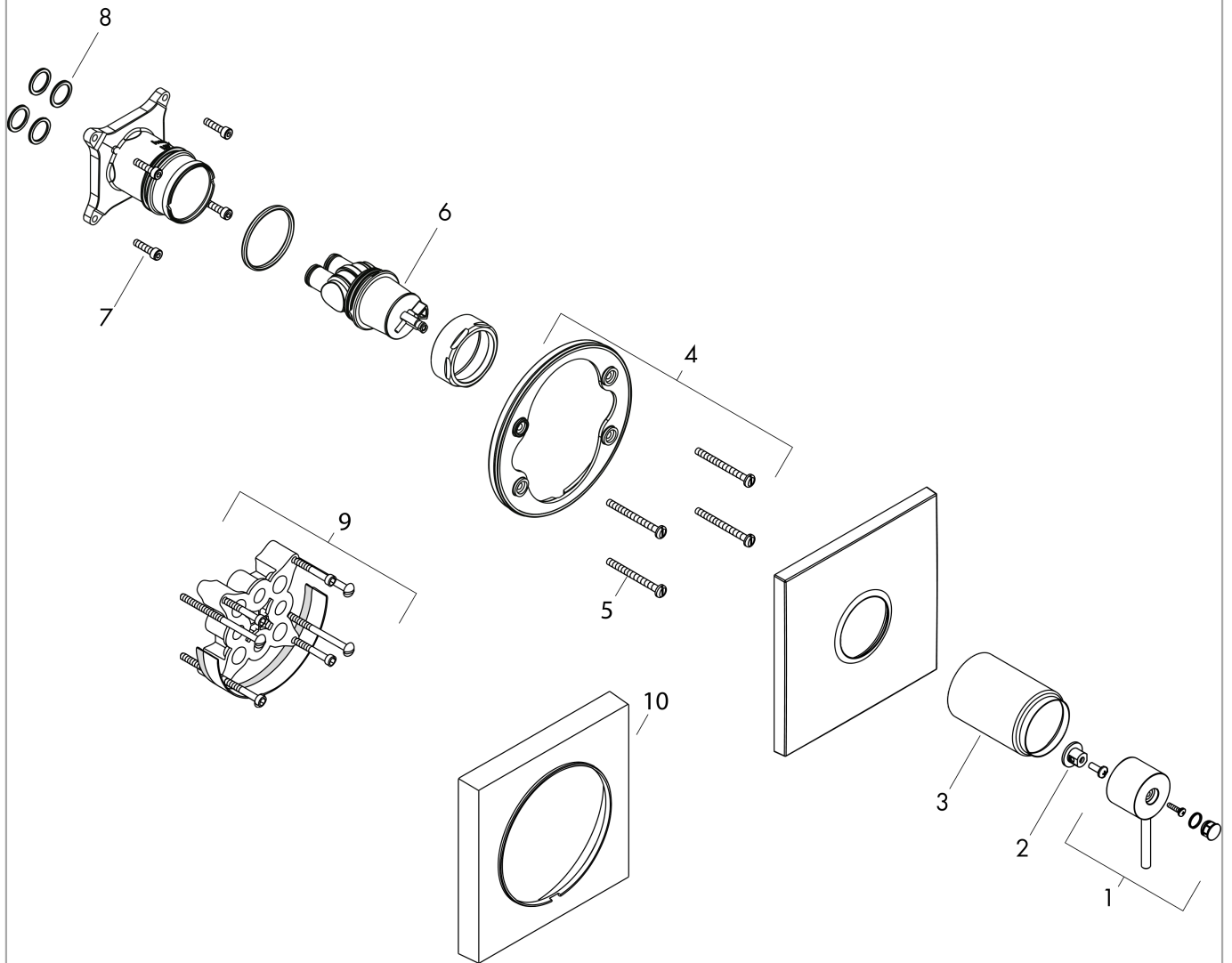


AXOR Massaud
AXOR Massaud Pressure Balance Trim
 Finishes : **chrome** Part no. : **18978001**



Exploded drawing

Year of production: >06/09



AXOR Massaud
AXOR Massaud Pressure Balance Trim
 Finishes : **chrome** Part no. : **18978001**



Spare parts list

Year of production: >06/09

Pos.	Description	Part no.	Price	PU
1	-	88784000	-	1
2	screw cover	96540001	-	1
3	adapter for handle	92756000	-	1
4	sleeve	88765000	-	1
5	escutcheon	88779000	-	1
6	sub plate	96447000	-	1
7	set of fixing screws	96454000	-	1
8	cartridge, assy	88727000	-	1
9	set of screws	96525000	-	1
10	O-ring 16x2	98133000	-	1
11	extension 25 mm	13595000	-	1
12	extension 22 mm	97407000	-	1