

**AXOR Massaud**  
**AXOR Massaud Freestanding Tub Filler Trim with 2.0 GPM Handshower**  
 Finishes : **chrome** Part no. : **18450001**



**Description**

**Features**

- Ceramic cartridge
- Integrated double backflow prevention
- integrated shower support

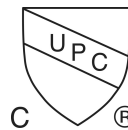
**Item details**

List Price \$ 4,379.00

**Technology**



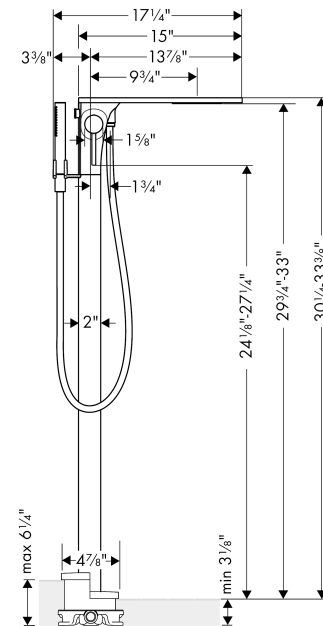
**Compliance**



**Product image**



**Scale drawing**

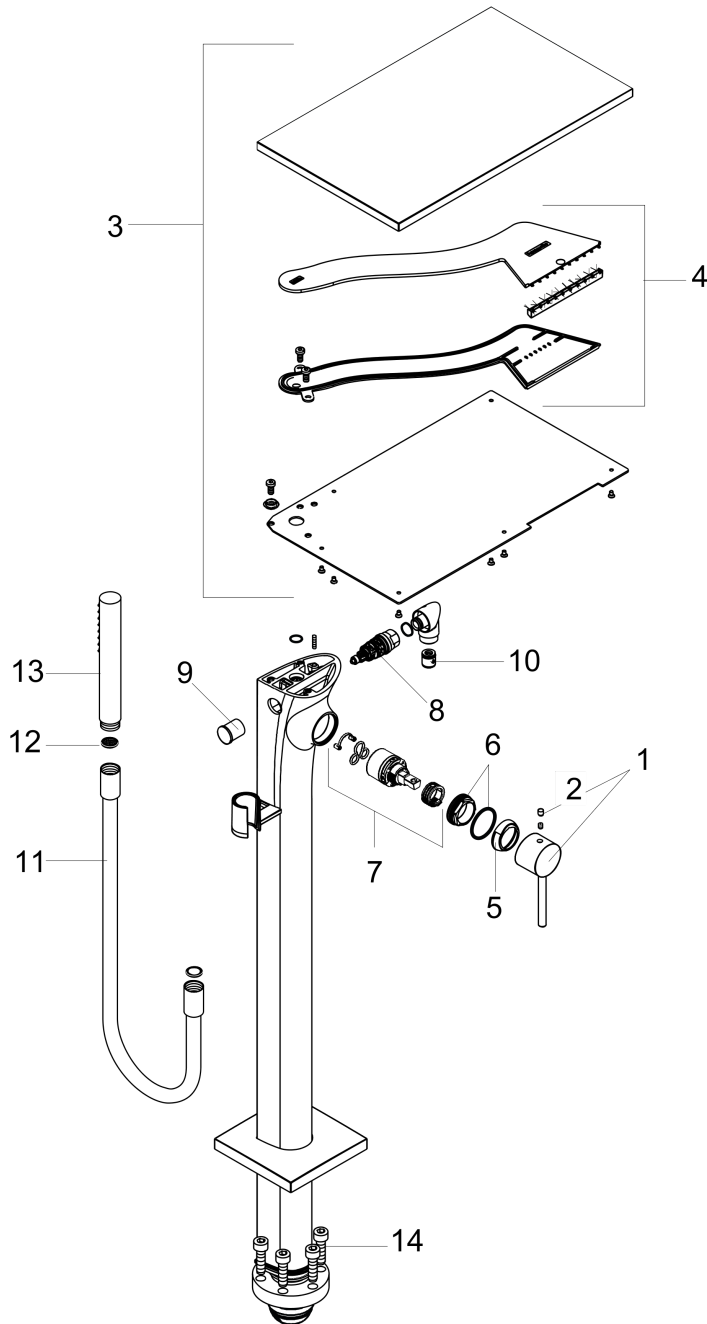


**AXOR Massaud**  
**AXOR Massaud Freestanding Tub Filler Trim with 2.0 GPM Handshower**  
 Finishes : **chrome**    Part no. : **18450001**



Exploded drawing

Year of production: >07/17



**AXOR Massaud**  
**AXOR Massaud Freestanding Tub Filler Trim with 2.0 GPM Handshower**  
 Finishes : **chrome** Part no. : **18450001**



## Spare parts list

Year of production: >07/17

Pos.	Description	Part no.	Price	PU
1	handle	18493000	-	1
2	screw cover	96762000	-	1
3	plate for spout	98704000	-	1
4	spray former	97447000	-	1
5	flange	96763000	-	1
6	nut	97209000	-	1
7	cartridge, assy	92730000	-	1
8	selector assy	94077000	-	1
9	diverter knob	98705000	-	1
10	set of non return valves DW 15	94074000	-	1
11	shower hose 1,25 m	28282000	-	1
12	filter packing	94246000	-	1
13	handshower	04304000	-	1
14	hexagon socket screw M10x35	97670000	-	1
a	base body	10452181	-	1
b	diverter fixing device	97211000	-	1
c	hexagon socket screw M6x16	92857000	-	1
d	O-ring 17x2	98199000	-	1
e	O-ring 18x2	98181000	-	1