

# ALLOY ART MFG.

PRIDE &  QUALITY

EST. 1999

CUSTOM MOTORCYCLE PARTS

*Southern California*

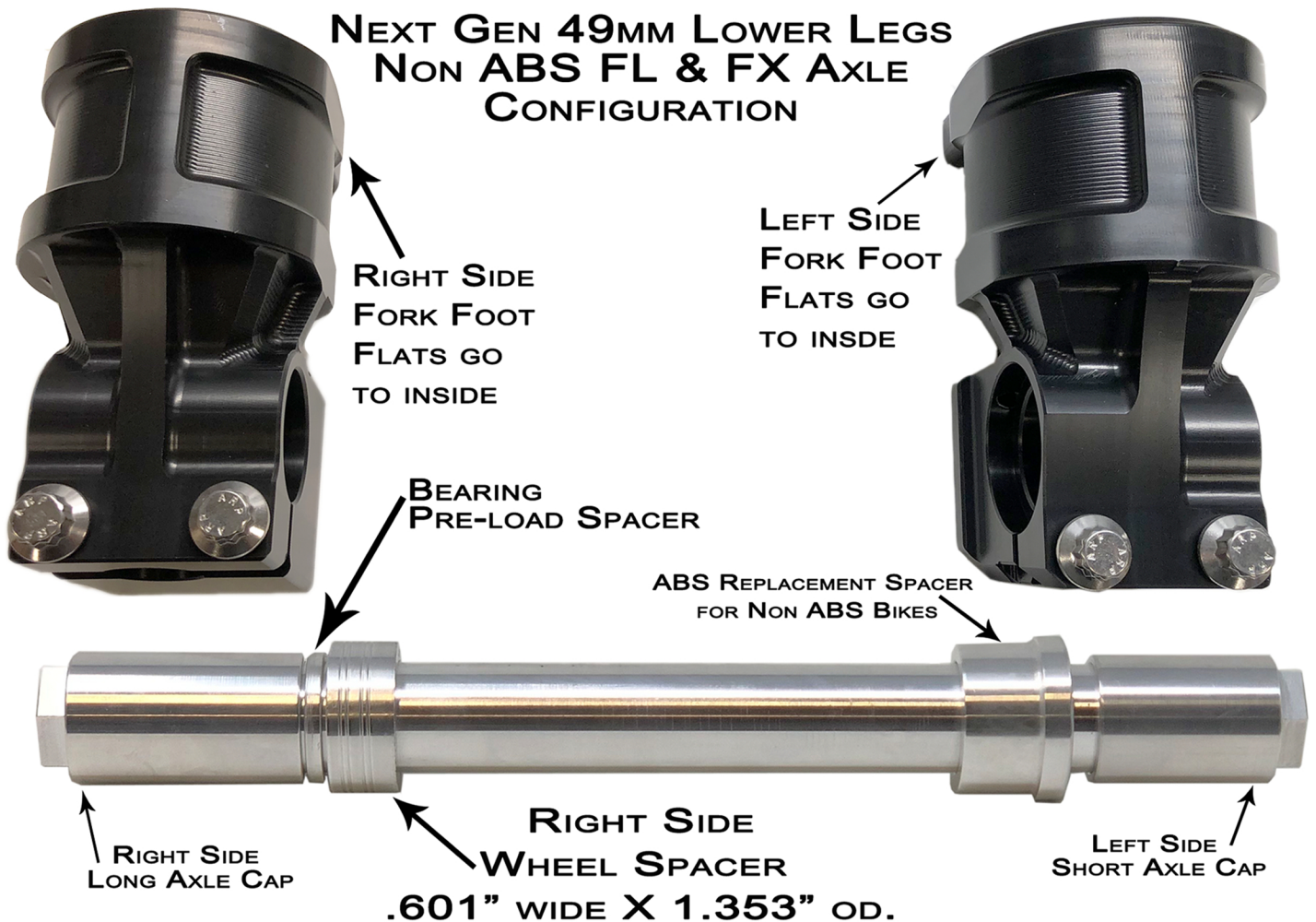
100% AMERICAN MADE

## **NEXT GEN 49MM Lower Legs FOR Non ABS INSTALLATION**

### AXLE INSTALL INSTRUCTIONS

- NOTE FORK LEGS ARE REFERED AS **RIGHT & LEFT** AS IF YOU WERE SITTING ON THE **BIKE** RIDING IT.
- **ALWAYS** MAKE SURE THE WHEEL IS GOING IN RIGHT DIRECTION, ESPECIALLY ON **ABS** EQUIPED **BIKES**
- REMOVE **RIGHT LONG AXLE CAP**. INSTALL THE **AXLE** FROM THE OUTSIDE OF THE **LEFT LEG FOOT** WITH THE **SHORT AXLE CAP**.
- **MAKE SURE** SPACERS ARE IN PROPPER ORDER FROM **LEFT LEG** TO **RIGHT LEG**. **SHORT AXLE CAP** INSIDE EDGE SHOULD BE BE ALIGNED FLUSH WITH THE **INNER COUNTER BORE SURFACE**.
- **ONCE** THE **AXLE** IS THROUGH THE **WHEEL** WITH THE **SHORT AXLE CAP FLUSH**, AND **SPACERS** IN PLACE TIGHTEN DOWN THE **LEFT FORK FOOT 12 PT PINCH BOLTS**.
- INSTALL **RIGHT LONG AXLE CAP** AND **THIN BEARING PRE-LOAD SPACER** FROM THE OUTSIDE OF THE **RIGHT FORK FOOT**. TIGHTEN THE **RIGHT SIDE LONG AXLE CAP** TO SET THE **PRELOAD** ON THE **WHEEL BEARING**.
- PLEASE REFER TO **ABS & Non ABS** AXLE DIAGRAMS FOR MORE INFO

### **NEXT GEN 49MM LOWER LEGS Non ABS FL & FX AXLE CONFIGURATION**



WWW.ALLOYART.COM

154 S VALENCIA AVE. GLENDORA CA 91741

(626) 963-5021