

Espedeo VM-1140

VESA Ceiling Mount for Professional Projector

Designed for in-auditorium or in-home installation of Espedeo Supra-5000 cinema projector



The Espedeo VM-1140 is a VESA ceiling mount designed for in-auditorium or in-home installation of Espedeo Supra-5000 laser cinema projector with VESA mounting holes of 400 x 400, making it an ideal solution for boothless mini-theatres, small auditoriums and private cinema installations.

The height, rotation and tilt of the ceiling mount are adjustable to fit various installation environments. The height can be adjusted from 240 millimeters (9.45 inches) to 1140 millimeters (44.88 inches). The rotation angle adjustment range is +/- 20 degrees. Thanks to its tool-less design, a single installer may adjust tilt angle with clamping handles effortlessly. The tilt angle adjustment range along the vertical axis is +/- 25 degrees and the horizontal axis is +/- 15 degrees.

Additionally, the Espedeo VM-1140 is designed with a cable management feature, conceals and organizes the cables connected to the projector, creating a visually pleasing work environment for your mini-theatre or private cinema.

The Espedeo VM-1140 is robust and capable of carrying a projector with a weight of up to 150 kg / 330 lbs. It can either be used to install the projector from the ceiling or fasten it to a truss using truss mounting clamps. With both mounting methods, additional safety is provided by securing the equipment with the included safety cable to prevent the equipment from falling during or after setup when used in accordance with safety instructions.

Designed for ceiling mount and truss mount

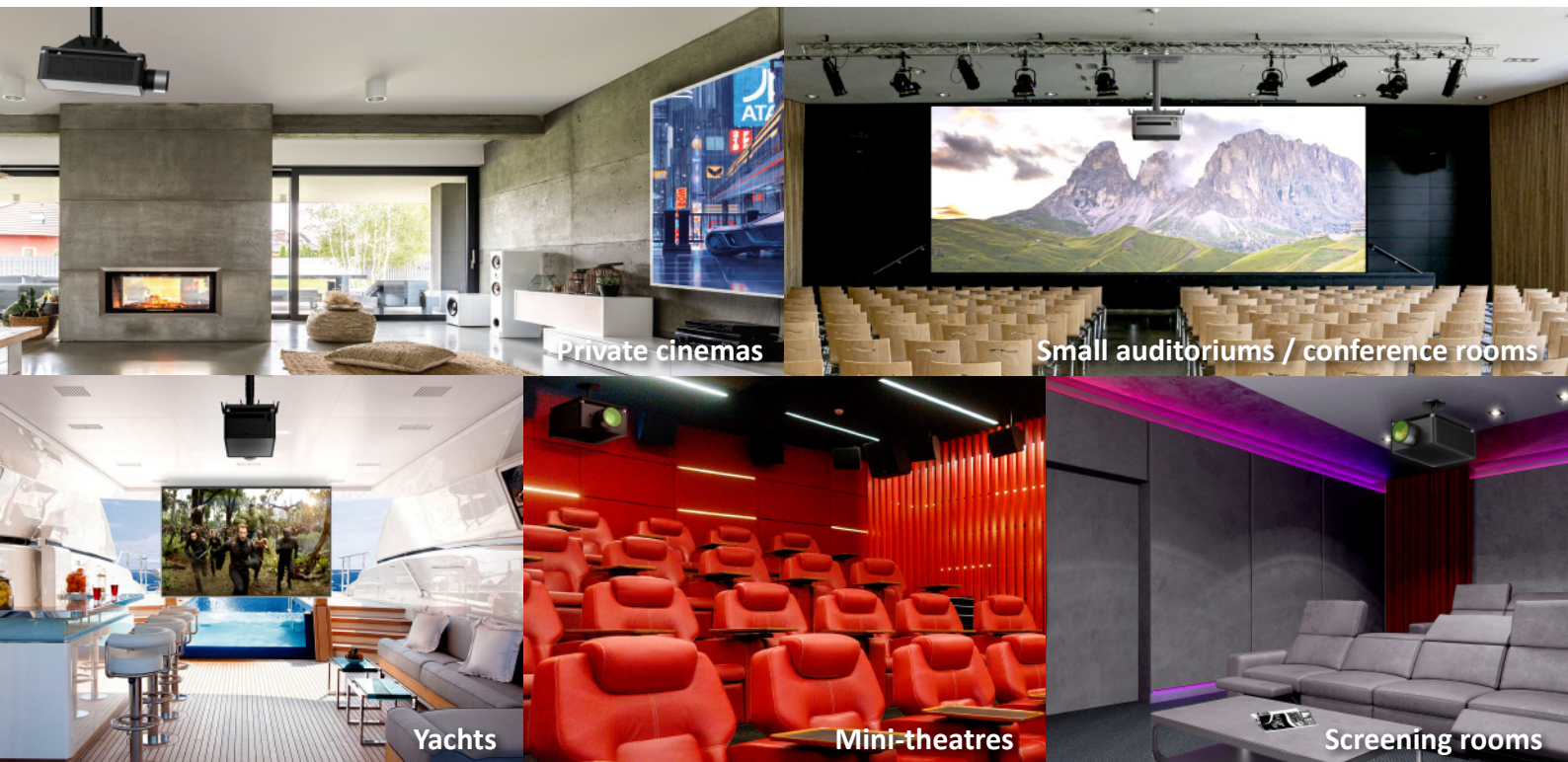
Concrete ceiling mount



Truss ceiling mount



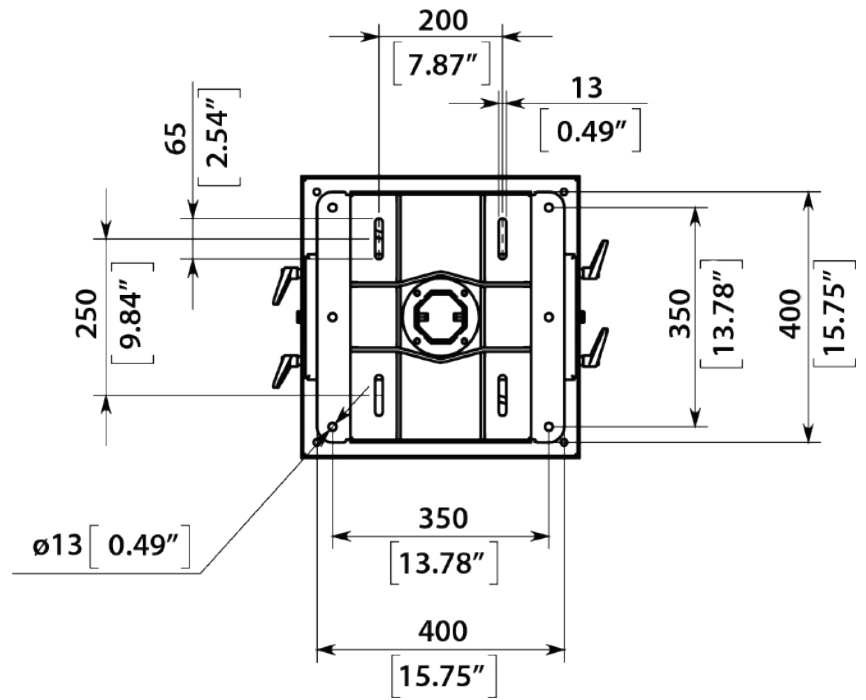
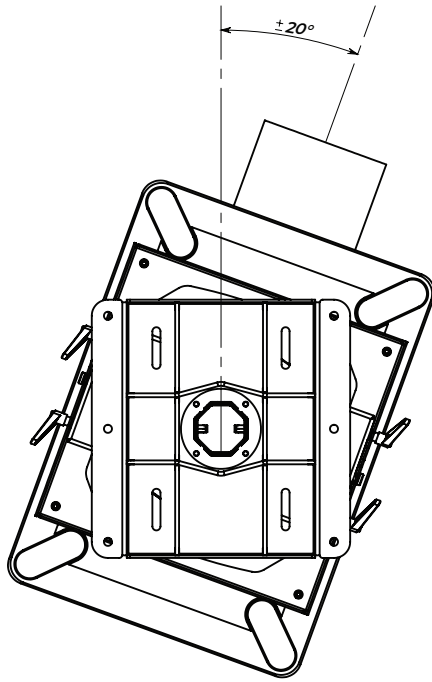
Designed for in-auditorium or in-home installation



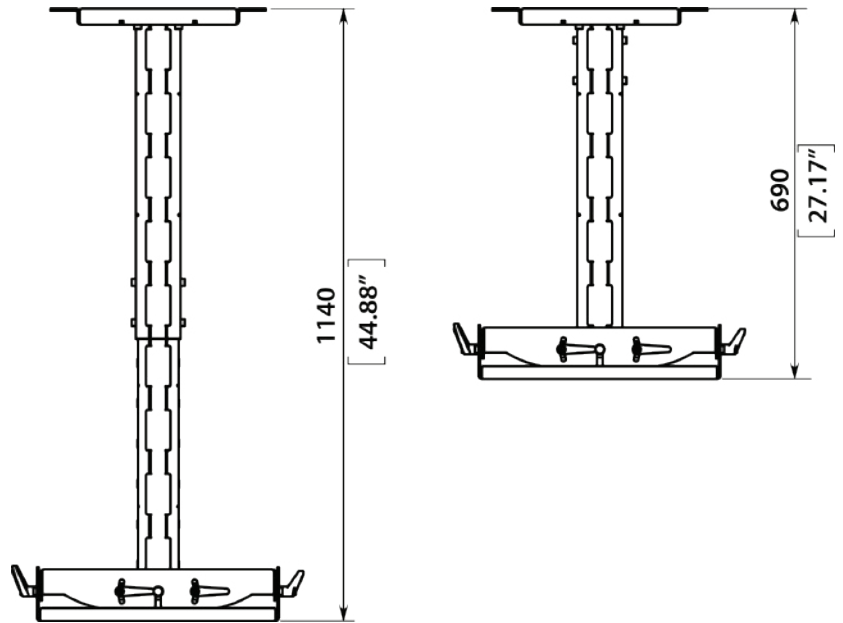
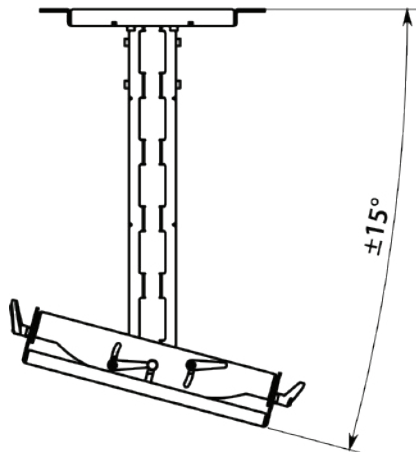
Dimensions

Unit (mm)

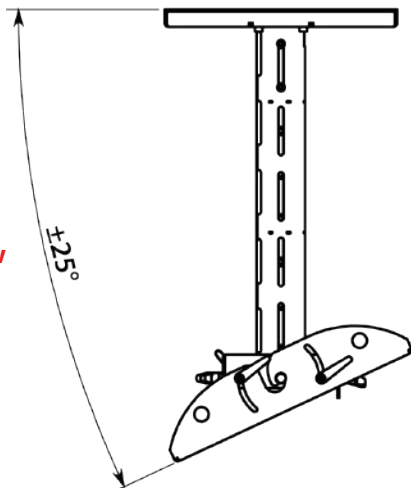
Top View



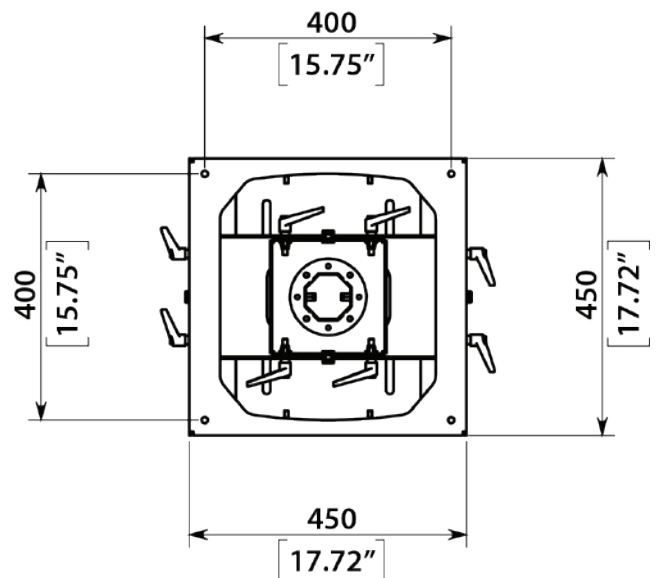
Front View



Side View



Bottom View



Specifications

Steel Grade	ASTM A283 Grade C
Mounting holes	VESA 400 x 400
Ceiling mounting plate	400 x 400 mm / 15.75" x 15.75"
Adjustable height	240 - 1140 mm / 9.45" - 44.88"
Vertical angle	+/- 25°
Horizontal angle	+/- 15°
Rotation angle	+/- 20°
Load limit	150 kg / 330 lbs
Load-bearing capacity of the ceiling slab	Minimum 250 kg/m ² / 51.20 lb/ft ²
Design factor	7:1 ratio
Color options	Black or white
Ceiling slab fasteners (supplied with VM-1140)	Anchor Bolt 10 x 60
Truss mounting clamps (optional)	4 x standard truss clamps of 50mm diameter, each with a load limit of 25 kg
Dimensions	690 x 450 x 450 mm / 27.17" x 17.72" x 17.72"
Shipping dimensions	620 x 470 x 170 mm / 24.41" x 18.50" x 6.69"
Net weight	24 kg / 52.91 lbs
Shipping weight	25 kg / 55.11 lbs

Safety Instructions

- 1** An experienced professional installer is required to install the mount to a ceiling or truss and the projector. The provided safety and assembly instructions must be strictly followed. Please refer to the VM-1140 Assembly Guide for instructions. An improperly installed mount may result in property damage, serious personal injury and/or liability for the installing contractor. Product must be used as intended pursuant to the safety and assembly instructions. Use of the product by a user is at the user's risk.
- 2** Always use safety cables! This will prevent equipment from falling during/after setup and while in use.
- 3** Always check if the ceiling or truss is structurally strong enough to support the load. An experienced professional is required to determine if the ceiling or truss structure is strong enough to hold the weight of both the projector and VM-1140 including its brackets. Please refer to the specifications for details.
- 4** Only use fasteners and clamps.
- 5** Always make sure to securely use and tighten/lock all mounting bolts provided. Loose bolts may become unscrewed over time due to vibration which could potentially create a safety hazard when not tightened securely. User should inspect the bolts on a regular basis to ensure all bolts are secure.