

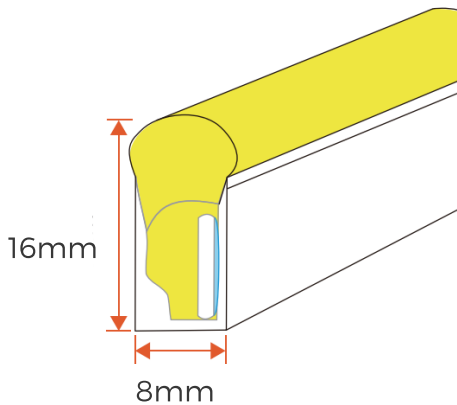


Mono Colour Neon Flex

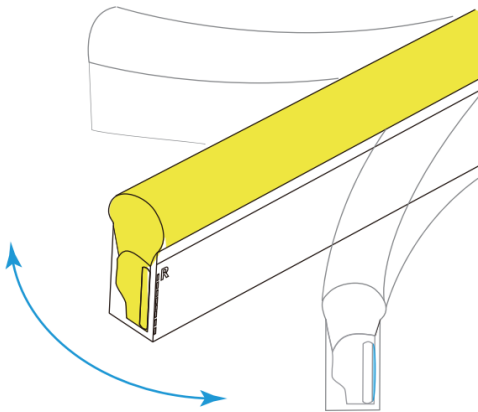
Specification

Physical Specification

Light profile



Bending direction



Warm White LED Neon Flex

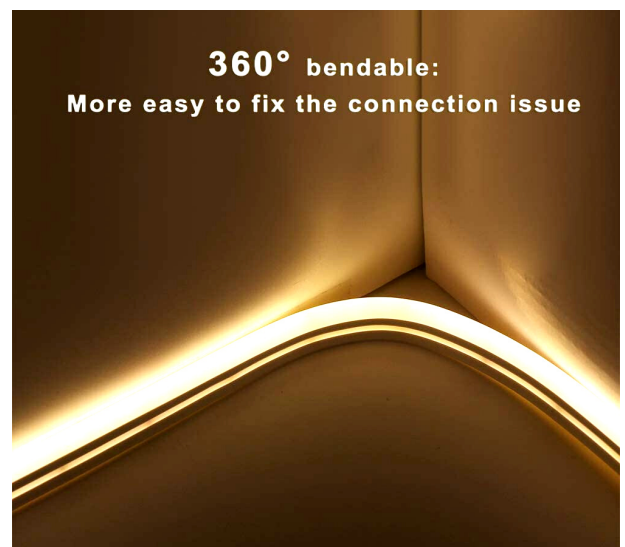
Warm White 6000K 8x16mm AC 220V 240V

This Flexible LED Neon Strip (120LED/m) has a translucent PVC cover that offers uniform light and improves its optical effect. Because it's so flexible, its installation is very simple and doesn't require any specific tools, allowing you to adapt it to all sorts of edges.

These strips must be unravelled before they are switched On, or the entire coil may overheat.

LED Neon Flex requires 2 Pins for installation, simply insert the 2 Pins into the flex and insert it into the led neon flex connector.

It's durable IP67 body allows for installations both in and outdoors where light water exposure may occur.



Technical Data

Colour	Warm White 6000K
IP Rating	IP67
Power	6 W/M
Dimension	W 8mm x L 16mm
Voltage	AC 220V 240V
LED Chip	SMD 2835
LEDs Per Metre	120 LEDs
Lumens	18-20 lm Per LED
Watts	0.20W Per LED
Cutting	1 Metre
Beam Angle	120°
Working Temperature	-30°C ~ +50°C
Life Span	30,000 Hours
Protection Class	II
Frequency	50-60 Hz
Certifications	CE & RoHS
Warranty	1 Year