

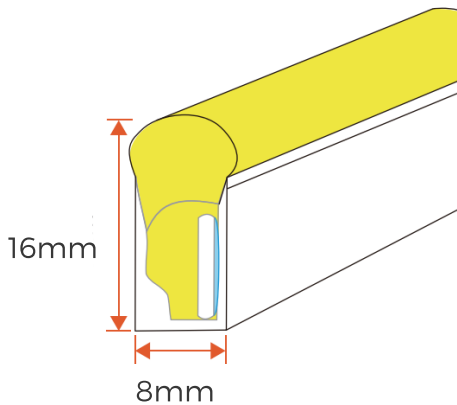


Mono Colour Neon Flex

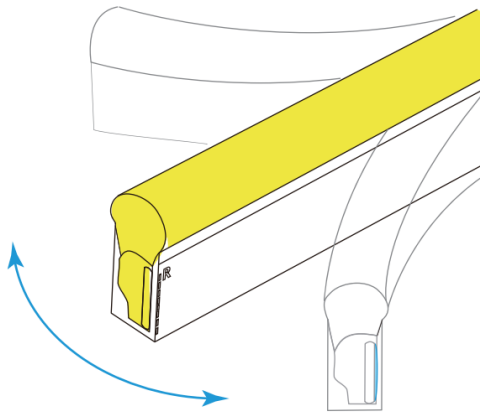
Specification

Physical Specification

Light profile



Bending direction



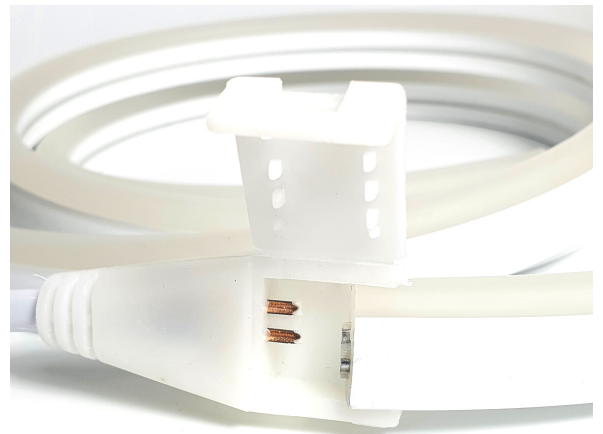
Cool White Neon Flex With Wireless Technology

Cool White 6000K 8x16mm AC 220V 240V

LED Neon Flex with wireless technology is a new updated version of standard LED Neon Flex. The wireless technology uses copper sheet inside the flex instead of the standard copper wires. The copper sheet increases the brightness of the LED Neon Flex, make the LED Neon more flexible and cuttable every 20cm.

LED Neon Flex with Wireless Technology doesn't requires 2 Pins for installation, simply insert the connector into the LED Neon Flex.

It's durable IP67 body allows for installations both in and outdoors where light water exposure may occur.



Technical Data

Colour	Cool White 6000K
IP Rating	IP67
Power	8 W/M
Dimension	W 8mm x L 16mm
Voltage	AC 220V 240V
LED Chip	SMD 2835
LEDs Per Metre	120 LEDs
Lumens	24-26 lm Per LED
Watts	0.20W Per LED
Cutting	20 cm
Beam Angle	120°
Working Temperature	-30°C ~ +50°C
Life Span	30,000 Hours
Protection Class	II
Frequency	50-60 Hz
Certifications	CE & RoHS
Warranty	1 Year