

PACKAGE 4 SHOWN

# MONKEY PLAYSYSTEM CONGO SERIES

## ASSEMBLY INSTRUCTIONS

# CONGO INVENTORY SHEET

PACKAGE 1: FORT & SWING BEAM

BOX 1, 2, 3 & 4

10' WAVE SLIDE

5 STEP FORT LADDER

HARDWARE BOX

PACKAGE 2: FORT, SWING BEAM WITH SUNDECK

BOX 1, 2, 3, 4 & 5

10' WAVE SLIDE

3 STEP LADDER

HARDWARE BOX

PACKAGE 3: FORT, SWING BEAM WITH TOWER

BOX 1, 2, 3, 4, 6 & 7

10' WAVE SLIDE

TURBO SLIDE

5 STEP FORT LADDER

HARDWARE BOX

PACKAGE 4: FORT, SWING BEAM W/ SUNDECK & TOWER

BOX 1, 2, 3, 4, 5, 6 & 7

10' WAVE SLIDE

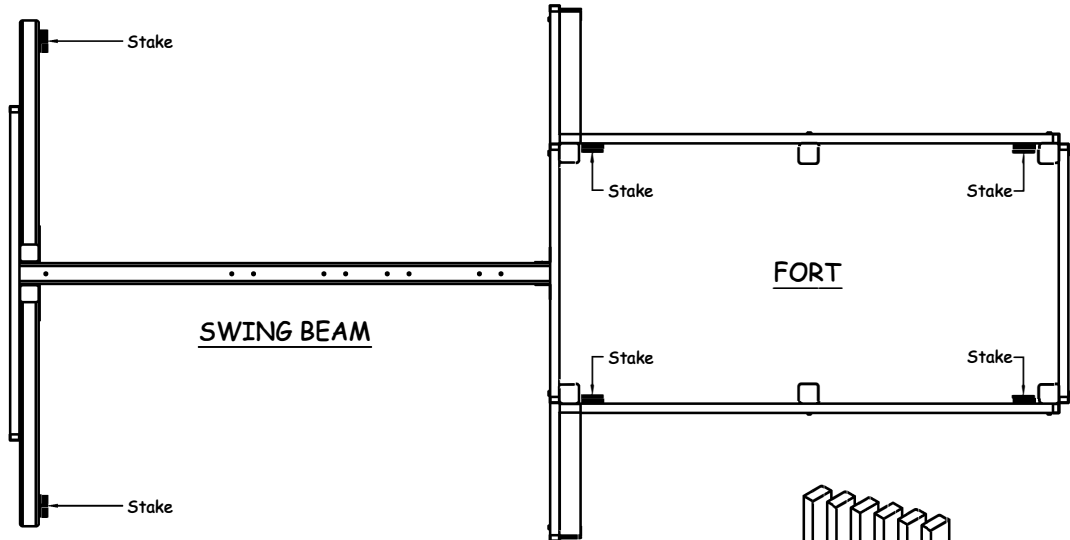
TURBO SLIDE

3 STEP LADDER

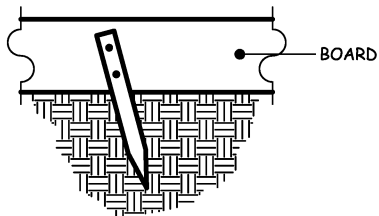
HARDWARE BOX

# ANCHORING INSTRUCTION

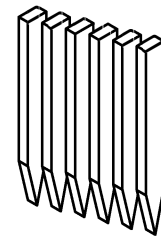
Failure to use stakes can void warranty, cause injury.



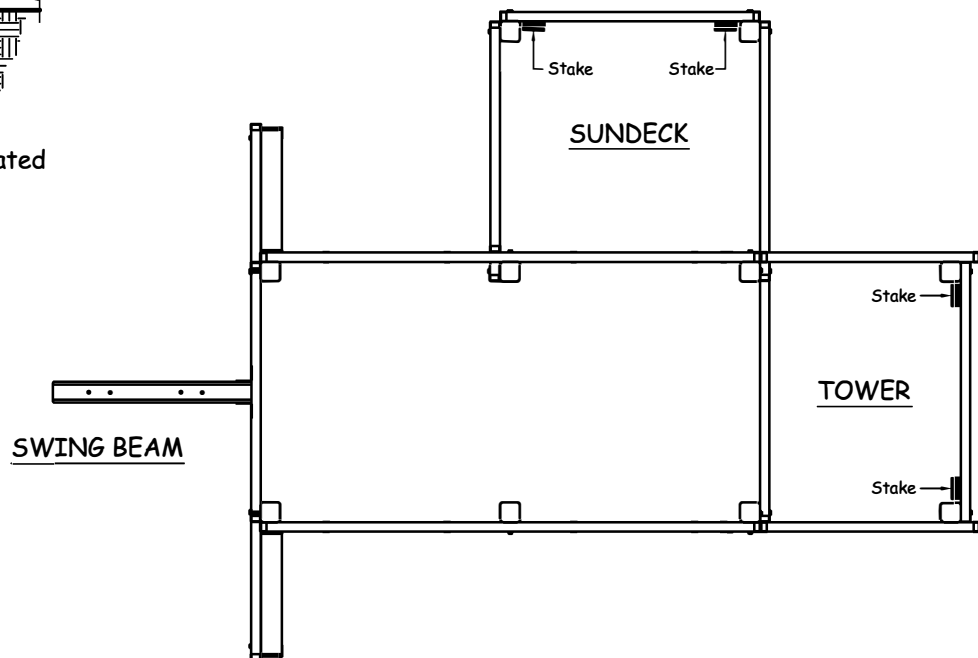
Drive stake into ground and attach with (2) 2" deck screws.



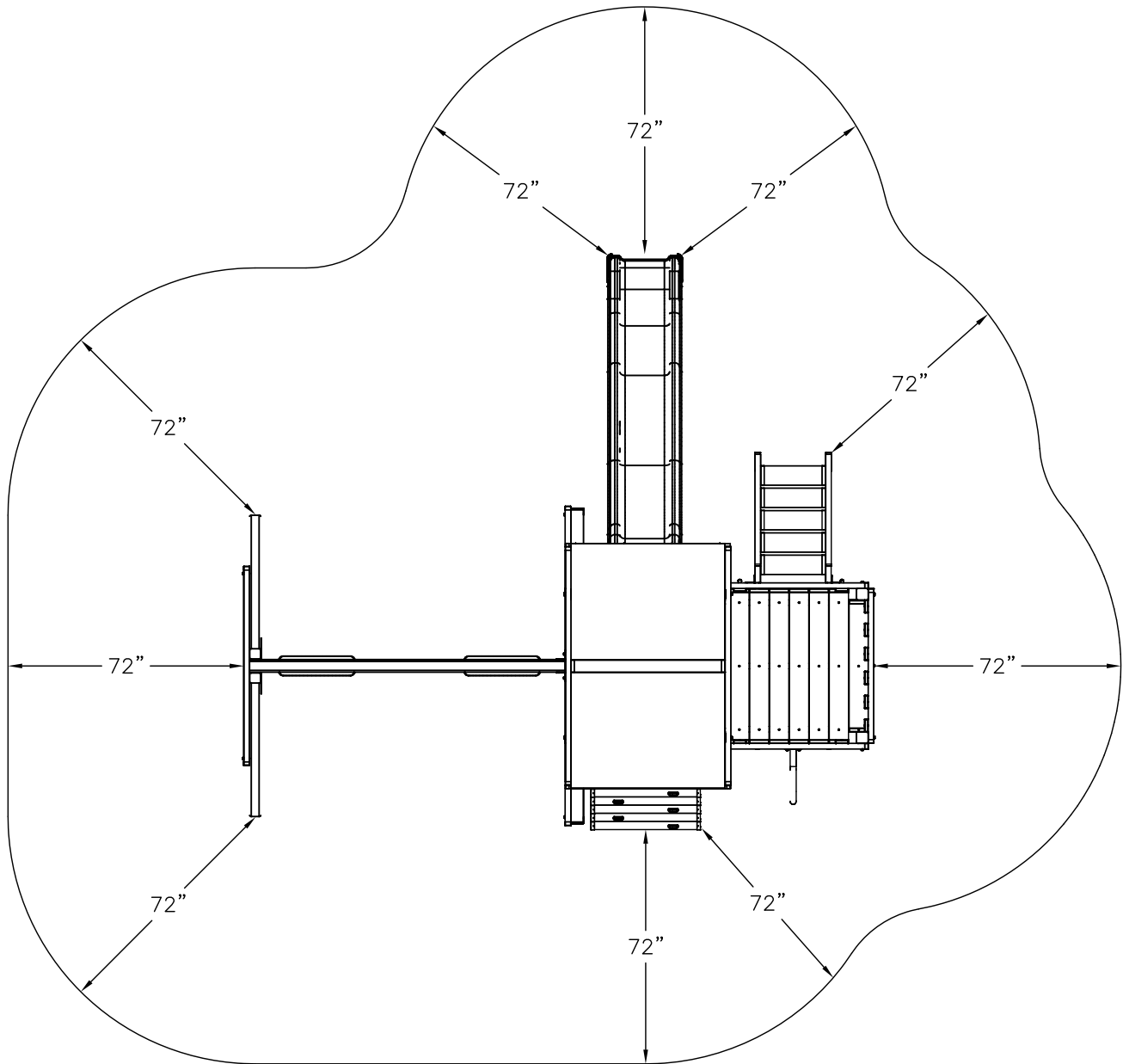
Stake must be located as shown



STANDARD WOOD STAKE



# PLAYSYSTEM SAFETY ZONE



## Suggested Playground Surfacing:

- \* Playground equipment should never be placed on a hard surface such as concrete or asphalt.
- \* Shredded bark mulch, rubber playground mulch, wood chips, fine sand and fine gravel, are added as shock absorbing materials after assembly. If used properly these materials can absorb some of the impact of a child's fall.
- \* All surface material should extend a minimum of 6 feet (72 inches) in all directions around the play area. For Swings, be sure surfacing extends, in back and front, twice the height of the suspending bar.
- \* Carefully supervise children on play equipment to make sure they are safe.

## ***Please Read! Very Important!***

If you are missing parts or have questions regarding the installation of your Monkey Playsystem do not contact the retailer. Call us directly at the factory. Our technical support department will be happy to assist you.

### **CONGO PLAY, LLC**

1801 Rutherford Rd  
Greenville, SC 29609

Tel: 877-494-3875 Fax: 864-309-0803

Monday - Friday 8am - 4 pm EST

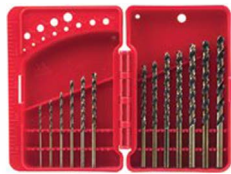
### ***Choosing a Location for Your Playsystem:***

1. This playsystem is designed to be installed on level ground. Installing your playsystem on unlevel ground can cause installation problems, void the warranty or cause injury.
2. Choose a location with enough space for your swing set plus a 6ft. "Safety Zone" free of obstructions such as fences, trees, outdoor furniture, walls, etc.
3. Choose a location free of hazards such as electrical lines, swimming pools, ponds, rocks, sprinkler heads, etc.
4. Do not install your playsystem on a hard surface such as concrete or asphalt. It is a good idea to cover the area surrounding your playsystem (6 feet in all directions) with a shock absorbing material such as shredded bark mulch, wood chips, fine sand, ect. For more detailed information consult the section entitled "Consumer Information Sheet for Playground Surfacing Materials". Note: Surfacing materials should be installed after completing the installation of the playsystem. Do not build your playsystem on top of surfacing material.

### ***Tool List***



Carpenter Square



Drill Bit Set



Drill Attachment  
1/2" & 9/16" Nutdriver  
#2 Phillip Bit



Power Drill



Socket Set



Rubber Mallet



Leveler



Safety Glasses



Wrenches



Clamps



Screw Driver #2 Phillips



Tape Measure



Ladder

## ***General Information***

### ***Manufacturer:***

Congo Play, LLC  
1801 Rutherford Rd  
Greenville, SC 29609  
Tel.: 877-494-3875  
Fax: 864-509-0803

### ***Unit Type:***

Unit Name: Monkey Playsystem  
Package one - Model No.:PS1100DK-I  
Package two- Model No.:PS2300CS-1  
Package three - Model No.:PS3400SK-1  
Package four-Model No.:PS4600RK-1

**MAXIMUM FALL HEIGHT:  
PACKAGE 1 AND 2: 7 FEET  
PACKAGE 3 AND 4: 10 FEET**

**THIS PRODUCT IS INTENDED FOR USE BY  
CHILDREN FROM AGES 2 TO 12**

**NOT INTENDED FOR PUBLIC OR COMMERCIAL USE.  
NONRESIDENTIAL OR COMMERCIAL USE WILL VOID THE WARRANTY**

**CHILDREN MUST NOT USE THE PLAYSYSTEM UNTILL IT IS COMPLETLEY ASSEMBLED,  
PROPERLEY INSTALLED AND INSTRUCTED ON SAFE OPERATION.**

*The entire manual should be read before beginning the assembly process. This will minimize installation problems and safety issues.*

---

## ***Operating Instructions***

**OBSERVING THE FOLLOWING STATEMENTS AND WARNINGS REDUCES THE LIKELIHOOD OF SERIOUS OR FATAL INJURY.**

1. This playsystem is designed for the use of 4 occupants who have a combined weight not exceeding 315 lbs.
2. On-site adult supervision is required for children of all ages.
3. Instruct children not to walk close to, in front of, behind, or between moving items.
4. Instruct children not to twist swing chains or ropes or loop them over the top of the support bar. This may reduce the strength of the chain or rope.
5. Instruct children to avoid swinging empty seats.
6. Teach children to sit in the center of the swings with their full weight on the seat. Never stand on a swing.
7. Instruct children not to use the equipment in a manner other than intended.
8. Instruct children not to get off equipment while it is in motion.
9. Dress children appropriately (examples would include the use of well-fitting shoes and the avoidance of ponchos, scarfs, and other loose-fitting clothing that is potentially hazardous while using equipment).
10. Instruct children not to climb when the equipment is wet.
11. Verify that suspended climbing ropes, chain, or cable are secured a both ends.
12. Verify that suspended climbing ropes, chain, or cable cannot be looped back on itself.
13. Instruct children not to attach items to the playground equipment that are not specifically designed for use with the equipment, such as, but not limited to, jump ropes, clothesline, pet leashes, cables and chain as they may cause a strangulation hazard.
14. Instruct children to always go down slides feet first. Never go down a slide headfirst.
15. Instruct children to look before going down a slide to ensure that the slide is clear.
16. Instruct children to never run up slides.

## ***Installation Tips***

1. Assembly of your playsystem will take 16-18 hours depending on your level of experience. Assembly will require an adult helper.
  2. Empty each box and organize the boards alphabetically. When you are finished organizing the boards complete an inventory to be certain that you have received all of the parts.
  3. Sort all of the hardware in a large box or container. This will reduce the chance of losing small parts.
  4. Pay close attention to the length and diameter of bolts and screws. There are different sizes in the same bag that look alike. To correctly identify hardware, match it up to the "actual size" drawings located in the hardware identification section.
  5. Gather all of the tools listed in the "tool list" section before you start.
  6. Read all of the instructions thoroughly. This playsystem cannot be installed using only the illustrations.
  7. Complete each step before moving on to the next. Jumping ahead in the instruction manual can be unsafe and create extra work.
  8. Retain this manual for future reference. Keep it in a safe place where you can refer to it as needed.
- 

## ***Maintenance Instructions***

1. Check all nuts and bolts twice monthly during the usage season for tightness and tighten as required. It is particularly important that this procedure be followed at the beginning of each season.
  2. Remove plastic swing seats and take indoors or do not use when the temperature drops below 40F.
  3. Oil all metallic moving parts monthly during the usage period.
  4. Check all coverings for bolts and sharp edges twice monthly during usage season to be certain they are in place. Replace when necessary. It is especially important to do this at the beginning of each new season.
  5. Check swing seats, ropes, cables, and chains monthly during usage season for evidence of deterioration. Replacement should be made if deterioration or damage is found.
  6. Sand rusted areas on tubular members and repaint using a nonlead-based paint meeting the requirements of Title 16 CFR Part 1303
  7. Apply Boeshield to brackets and metal hardware every 6 months to 1 year depending on your location. For coastal areas apply every 4 months. One can is provided with your set.
- 

## ***Disposal Instructions***

1. Disassemble and dispose of the playsystem in such a way that no unreasonable hazards will exist at the time of disposal.

# Consumer Information Sheet for Playground Surfacing Materials

The U.S. Consumer Product Safety Commission (CPSC) estimates that about 100,000 playground equipment-related injuries resulting from falls to the ground surface are treated annually in U.S. hospital emergency rooms. Injuries involving this hazard pattern tend to be among the most serious of all playground injuries, and have the potential to be fatal, particularly when the injury is to the head.

The surface under and around playground equipment can be a major factor in determining the injury causing potential of a fall. It is self evident that a fall onto a shock absorbing surface is less likely to cause a serious injury than a fall onto a hard surface. Playground equipment should never be placed on hard surfaces such as concrete or asphalt and while grass may appear to be acceptable it may quickly turn to hard packed earth in areas of high traffic. Shredded bark mulch, wood chips, fine sand or fine gravel are considered to be acceptable shock absorbing surfaces when installed and maintained at a sufficient depth under and around playground equipment.

The following table lists the maximum height from which a child would not be expected to sustain a life-threatening head injury in a fall onto four different loose-fill surfacing materials if they are installed and maintained at depths of 6, 9 and 12 inches. However, it should be recognized that all injuries due to falls cannot be prevented no matter what surfacing material is used.

## Fall height in feet from which a life threatening head injury would not be expected:

TYPE OF MATERIAL	6" depth	9" depth	12" depth
Double Shredded Bark Mulch	6'	10'	11'
Wood Chips	6'	7'	12'
Fine Sand	5'	5'	9'
Fine Gravel	6'	7'	10'

It is recommended that a shock absorbing material should extend a minimum of 6 feet in all directions from the perimeter of stationary equipment such as climbers and slides. However, because children may deliberately jump from a moving swing, the shock absorbing material should extend in the front and rear of a swing a minimum distance of 2 times the height of the pivot point measured from a point directly beneath the pivot on the supporting structure.

This information is intended to assist in comparing the relative shock-absorbing properties of various materials. No particular material is recommended over another. However, each material is only effective when properly maintained. Materials should be checked periodically and replenished to maintain correct depth as determined necessary for your equipment. The choice of a material depends on the type and height of the playground equipment, the availability of the material in your area, and its cost.

<sup>1</sup>This information has been extracted from CPSC publications "Playground Surfacing - Technical Information Guide" and "Handbook for Public Playground Safety." Copies of these reports can be obtained by sending a post card to the: Office of Public Affairs, U.S. Consumer Product Safety Commission, Washington, D.C. 20207 or call the toll-free hotline: 1-800-638-2772.