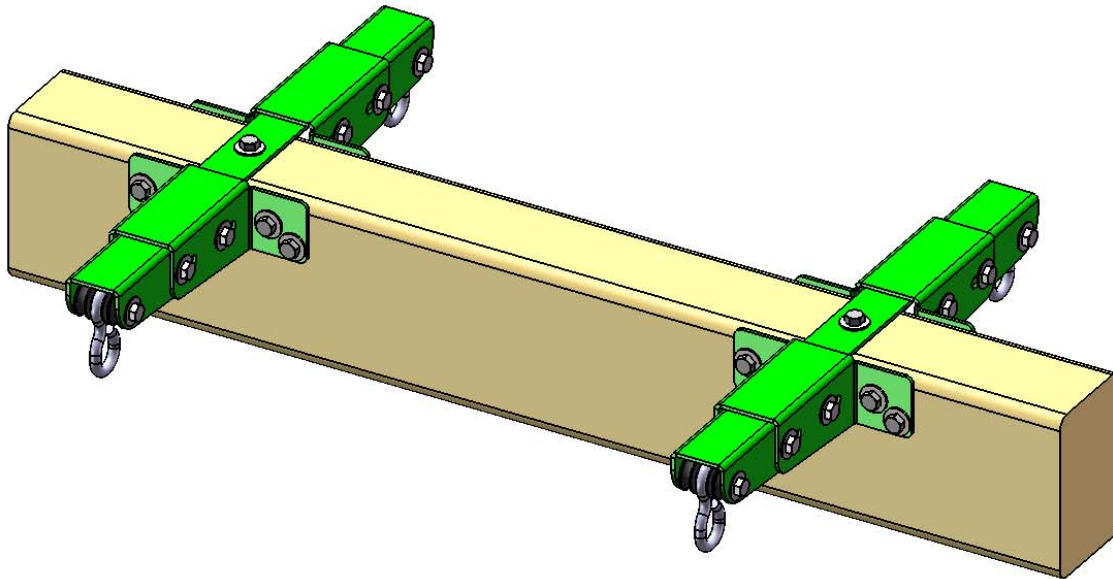


# Adjustable Glider Brackets (11-4026-P)

- 1: The Adjustable Glider Bracket set comes with the brackets and all of the hardware to fasten them to a swing beam. The swing beam may be from 2-7/8" to 4-1/2" wide.
- 2: The brackets come with "hook style" hangers on each side. If your glider swing has chains or rings then those should fit onto the hooks.
- 3: A distance of 8" should exist between the brackets and the support structure or an adjacent swing. This is described in more detail on the pages that follow.
- 4: Safety comes first when swinging. Always obey the safety rules when swinging and when walking around a swing set. We have included a Safety Tips Guide on page 2.
- 5: INSPECTION: At the beginning and at the end of every season check the tightness of all of the fasteners on the brackets. Inspect the brackets for signs of wear or rust. Sand and then touch up paint any rusty areas using a nonlead-based paint meeting the requirements of 16CFR 1303. If signs of excessive wear, cracking or other deterioration is present upon inspection discontinue use and contact your dealer for replacement parts.
- 6: Adjustable Glider Bracket Weight Limit: 220lbs. per pair. Also, do not exceed the weight limit of the swing beam.



\*FOR RESIDENTIAL USE ONLY\*  
\*FOR CHILDREN AGES 3-11\*

## SAFETY TIPS FOR SWINGS

- On-site adult supervision is required.
- Teach children not to walk close to, in front of, behind, or between **moving swings** or other moving playground equipment.
- Teach children to sit in and never stand on swings. (Exception to this rule is a product called "Stand -N- Swing")
- Teach children not to twist the chains and ropes and not to loop them over the swing beam, since this may reduce the strength of the chain or rope.
- Teach children not to jump from swings that are in motion.
- Teach children not to push empty seats. The seat may hit them and cause injury.
- Teach children to sit in the center of swings with their full weight on the seats.
- Teach children not to use the equipment in a manner other than intended.
- Parents should have the children dress appropriately with well-fitting shoes. Loose clothing such as scarves and ponchos should not be worn. Always take off, tie up or tuck in cords and drawstrings on children's clothing. These things can get caught on playground equipment and strangle a child.
- Teach children not to climb when the equipment is wet.
- Teach children not to attach items to the playground equipment that are not specifically designed for use with the equipment, such as, but not limited to, jump ropes, clothesline, pet leashes, cables and chains, as they may cause a strangulation hazard.
- Teach children to never wrap their legs around swing chain.
- Teach children to never slide down the swing chain.
- Protective surfacing under swings is recommended. "To and Fro" swings should have a fall zone extending a minimum of 6' from the outer edge of the support structure on each side. The "fall zone" in front and back of the swing should extend out a minimum distance of twice the height of the swing as measured from the ground to the top of the swing support structure. Swings should have a minimum of 8 inches between them. (ASTM F-1148-12) The bottom of a swing should not be less than 8 inches above the protective surfacing material. (ASTM F-1148-12) Home Playground Safety Specification ASTM F-1148-12 may be purchased online. A guide for Public Playground Safety from the U.S. Consumer Product Safety Commission may be downloaded at:  
<http://www.cpsc.gov//PageFiles/122149/325.pdf>
- A fall zone for a "tire swing" capable of unlimited lateral motion will be equal to a minimum horizontal distance of  $Y + 72$  in. in all directions from the pivot point of the swing.  $Y$  equals the vertical distance between the pivot point and the top of the tire swing. Protective surfacing is recommended in the fall zone for tire swings.

If any of the following conditions are noted they should be removed, corrected or repaired immediately to prevent injuries:

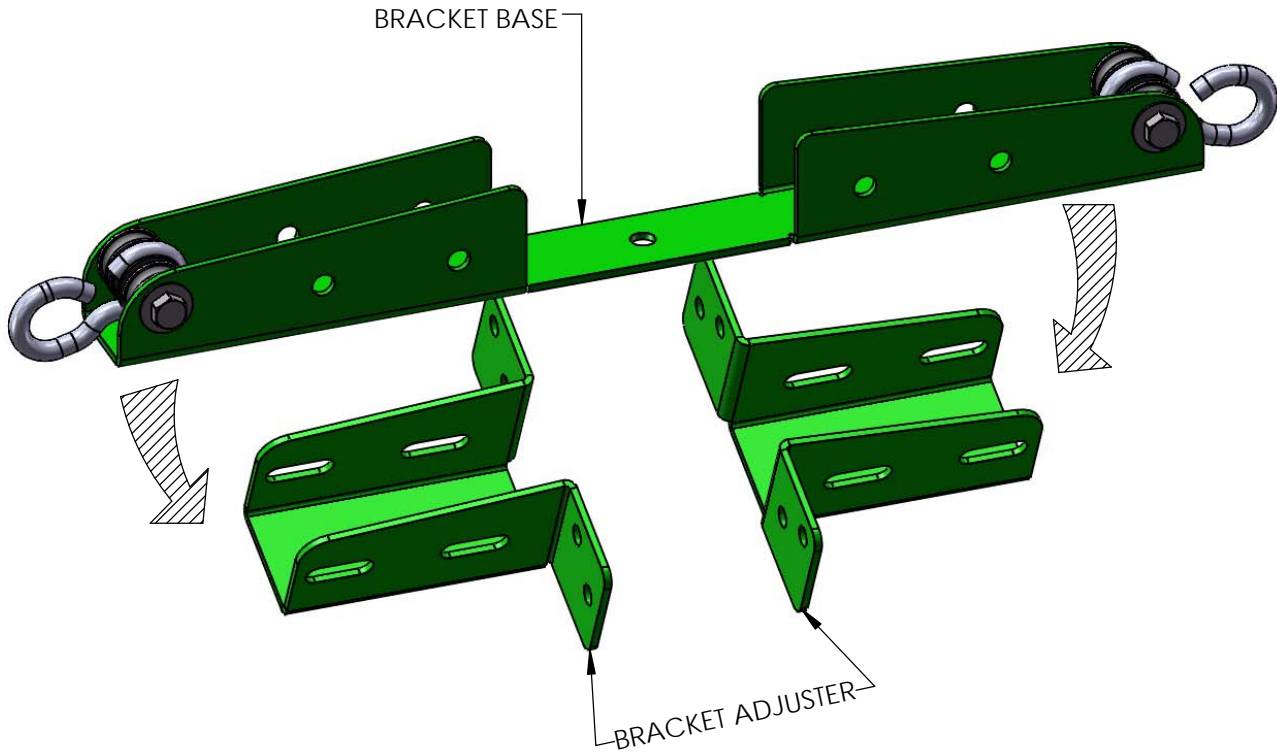
- Hardware that is loose, worn, or those that have protrusions or projections.
- Scattered debris, litter, rocks or tree roots.
- Missing or damaged equipment components, such as swing seats.
- Remove plastic swing seats and take indoors (or do not use) when the temperature drops below 32° F.
- Oil all metallic moving parts monthly during the usage period.
- Check swing seats, ropes, cables and chains monthly during usage season for evidence of deterioration.

Replacement should be made of any swing seat that has developed cracks in the plastic seats or has exposed metal in the edges of the swing seat. If there are already exposed metal inserts on the edge of the seat, immediately remove the seat and chains to prevent serious injury. Ropes, cables and chains should be removed and replaced if excessive wear is found.

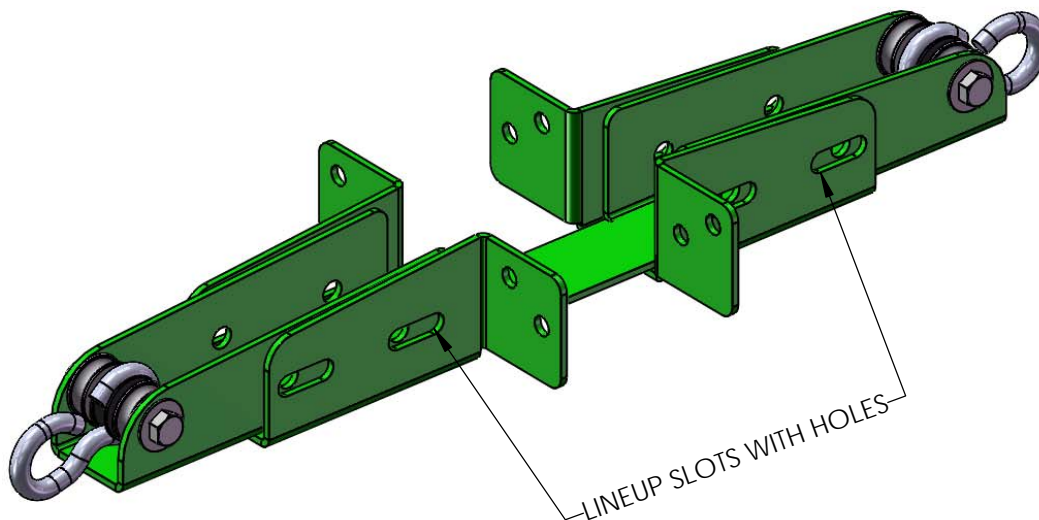
# STEP 1: BRACKET LAYOUT

1: FIND TWO BRACKET ADJUSTERS AND ONE BRACKET BASE.

2: LAY THE TWO BRACKET ADJUSTERS ON A FLAT SURFACE FACING EACH OTHER AND PROCEED TO PLACE THE BRACKET BASE INSIDE THE ADJUSTERS AS SHOWN IN THE DIAGRAM BELOW.



3: LINE UP THE SLOTS IN THE BRACKET ADJUSTERS WITH THE HOLES IN THE BRACKET BASE. SPACE THE BRACKET ADJUSTERS EVENLY APART.



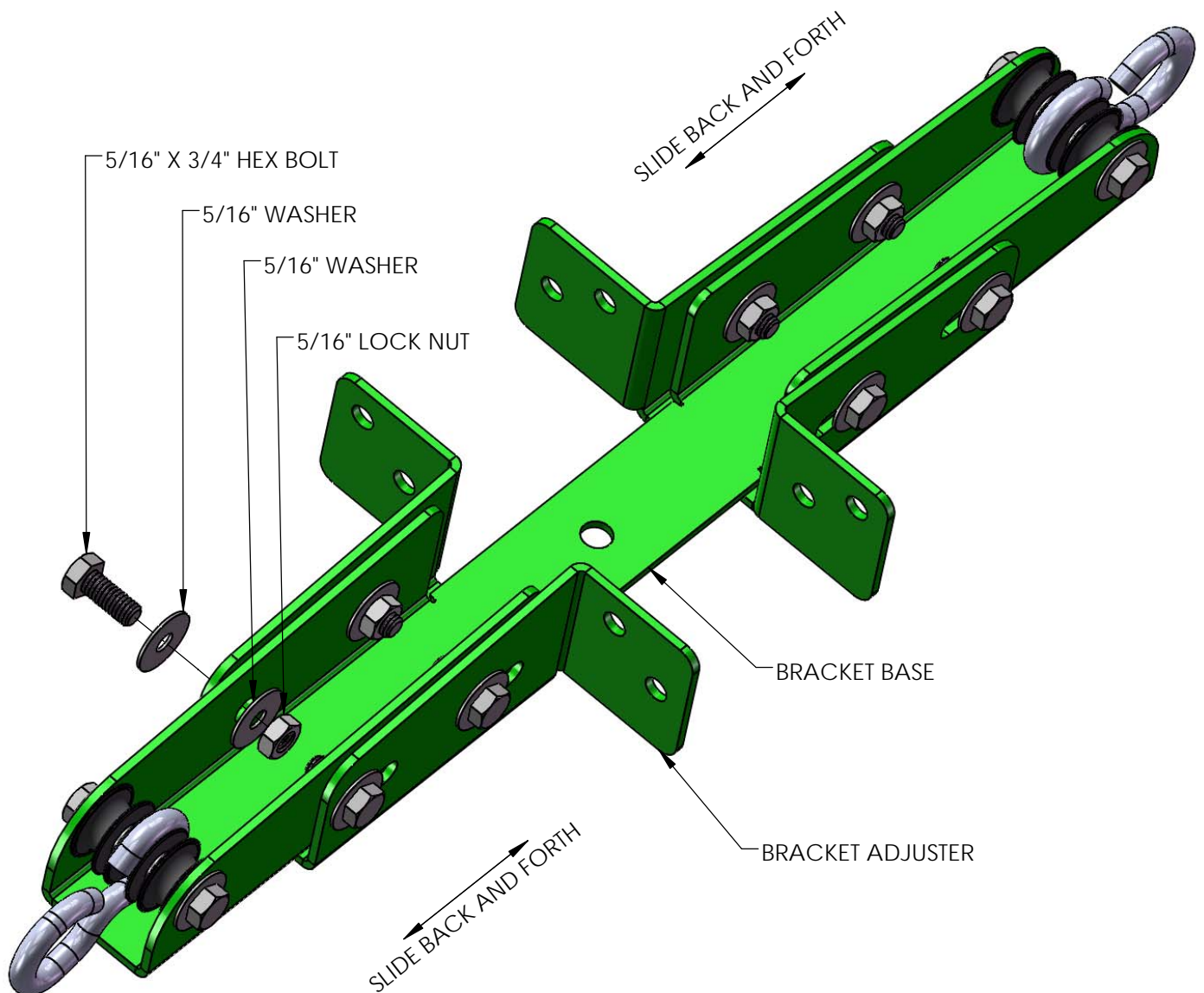
## STEP 2: BRACKET ASSEMBLY

1: ASSEMBLE THE ADJUSTABLE GLIDER BRACKET WITH 5/16" X 3/4" HEX BOLTS AND 5/16" WASHER FROM THE OUTSIDE AND 5/16" LOCK NUTS AND 5/16" WASHERS FROM THE INSIDE.

2: MAKE SURE TO LEAVE THE BOLTS SLIGHTLY LOOSE. THE BOLTS SHOULD BE LOOSE ENOUGH TO MOVE THE BRACKET ADJUSTERS BACK AND FORTH ALONG THE BRACKET BASE. YOU WILL TIGHTEN THE BOLTS IN A LATER STEP.

**NOTE: A 13mm SOCKET AND WRENCH ARE REQUIRED TO TIGHTEN ALL BOLTS IN LATER STEPS.**

3: PROCEED TO ASSEMBLE THE SECOND ADJUSTABLE BRACKET FOLLOWING SUB-STEP 1 AND 2.



**NOTE: DO NOT TIGHTEN BOLTS AND NUTS.**

# STEP 3: MOUNTING THE ADJUSTABLE GLIDER BRACKET TO BEAM

1: PLACE THE ADJUSTABLE GLIDER BRACKET (1) AND ADJUSTABLE GLIDER BRACKET (2) OVER THE TOP OF THE BEAM.

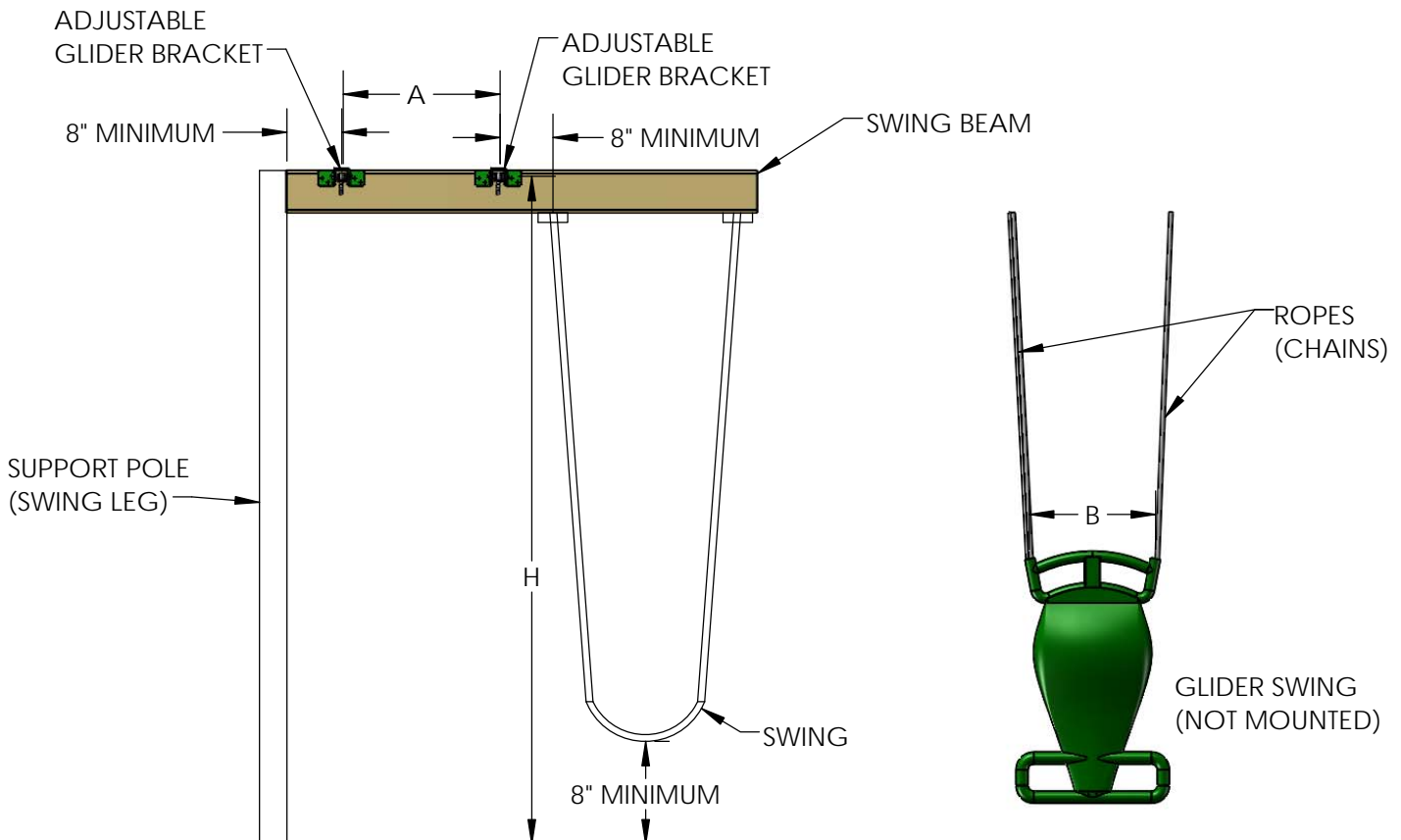
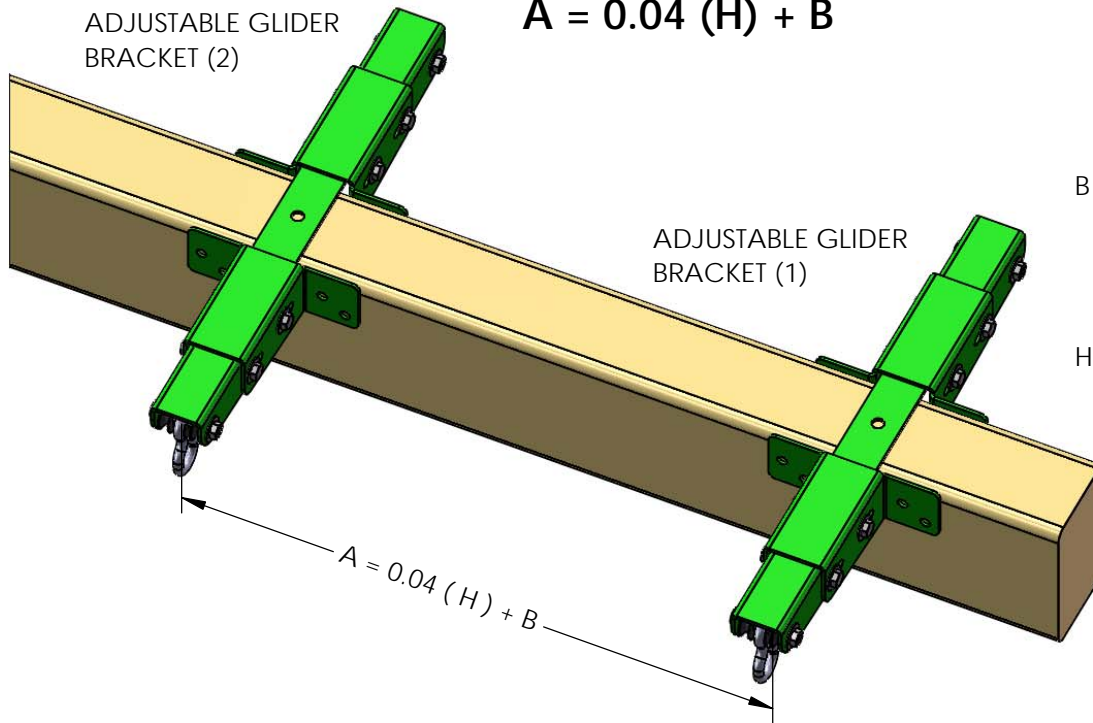
2: CALCULATE THE DISTANCE BETWEEN THE FIRST ADJUSTABLE GLIDER BRACKET AND THE SECOND BRACKET USING THE FOLLOWING FORMULA:

$$A = 0.04 (H) + B$$

A = THE CENTER TO CENTER DISTANCE BETWEEN UPPERMOST SUSPENSION POINTS OF THE SWING ASSEMBLY.

B = THE CENTER TO CENTER DISTANCE BETWEEN THE SWING SEAT ATTACHMENT POINTS.

H = THE DISTANCE BETWEEN THE UPPERMOST SUSPENSION POINT AND THE PROTECTIVE SURFACING.



## STEP 4: MOUNTING THE ADJUSTABLE GLIDER BRACKET TO BEAM

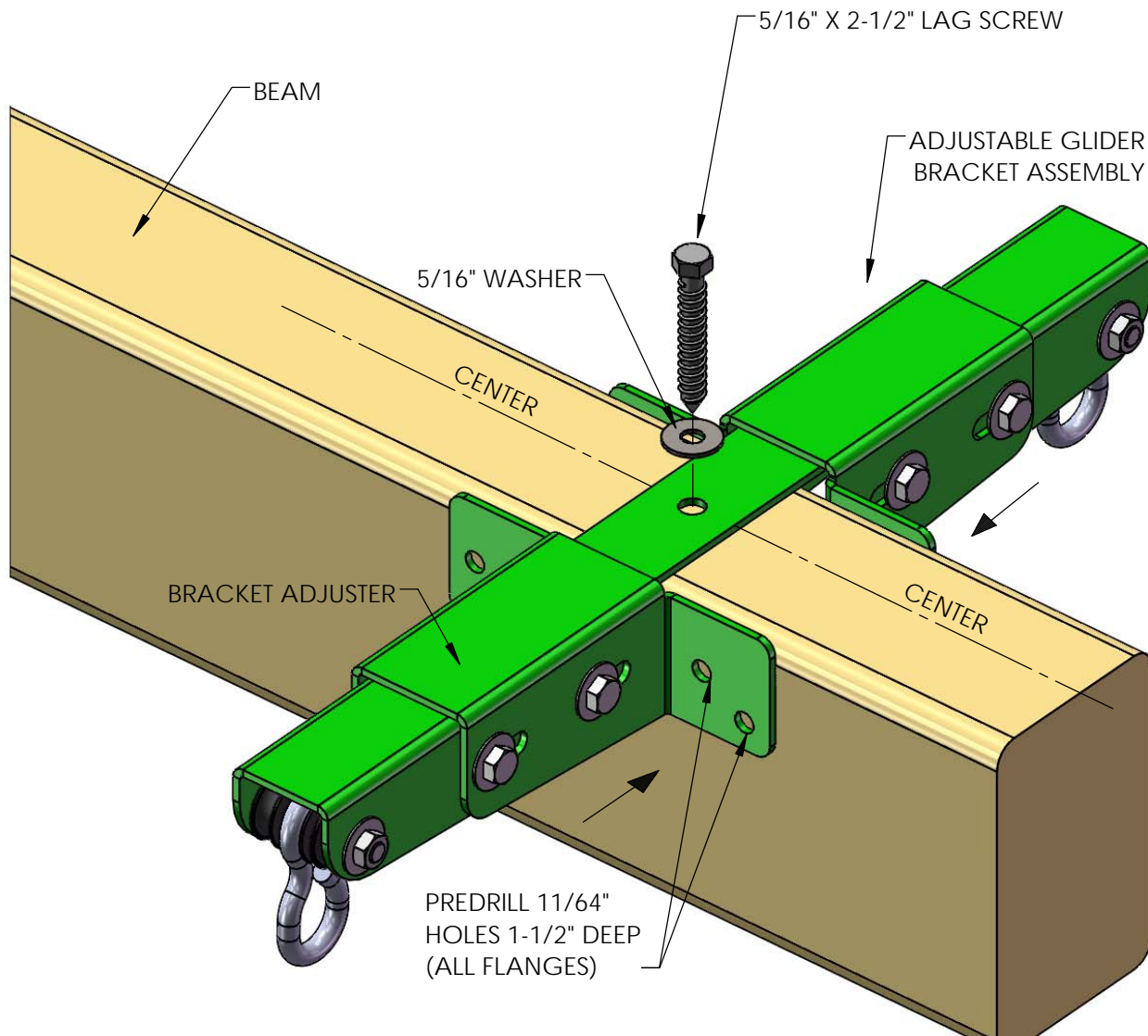
1: MAKE SURE THE TOP HOLE IN THE BRACKET BASE IS CENTERED OVER THE TOP OF THE BEAM. FASTEN THE BRACKET BASE THROUGH THE TOP HOLE TO THE BEAM USING A 5/16" X 2-1/2" LAG SCREW AND A 5/16" WASHER.

2: SLIDE THE BRACKET ADJUSTERS AGAINST THE BEAM ON BOTH SIDES.

3: PREDRILL 11/64" HOLES 1-1/2" DEEP INTO THE BEAM THROUGH THE HOLES IN THE FLANGES OF THE BRACKET ADJUSTERS.

4: PROCEED TO FASTEN THE SECOND ADJUSTABLE BRACKET TO THE BEAM FOLLOWING SUB-STEP 1 TO 3.

**NOTE: A 13mm SOCKET AND WRENCH ARE REQUIRED TO TIGHTEN ALL BOLTS AND LAG SCREWS.**



## STEP 5: MOUNTING THE ADJUSTABLE GLIDER BRACKET TO BEAM

1: ATTACH THE BRACKET ADJUSTER FLANGES TO THE BEAM WITH 5/16" X 1-1/2" LAG SCREWS AND 5/16" WASHERS.

2: PROCEED TO TIGHTEN ALL THE BOLTS AND NUTS FROM STEP 2 IN THE SIDES OF THE BRACKET ADJUSTERS OF BOTH BRACKETS.

**NOTE: A 13mm SOCKET AND WRENCH ARE REQUIRED TO TIGHTEN ALL BOLTS AND LAG SCREWS.**

