

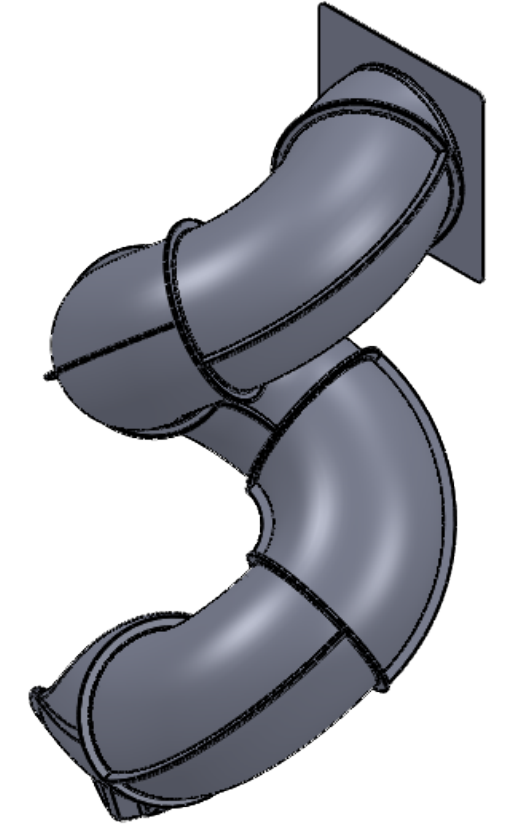
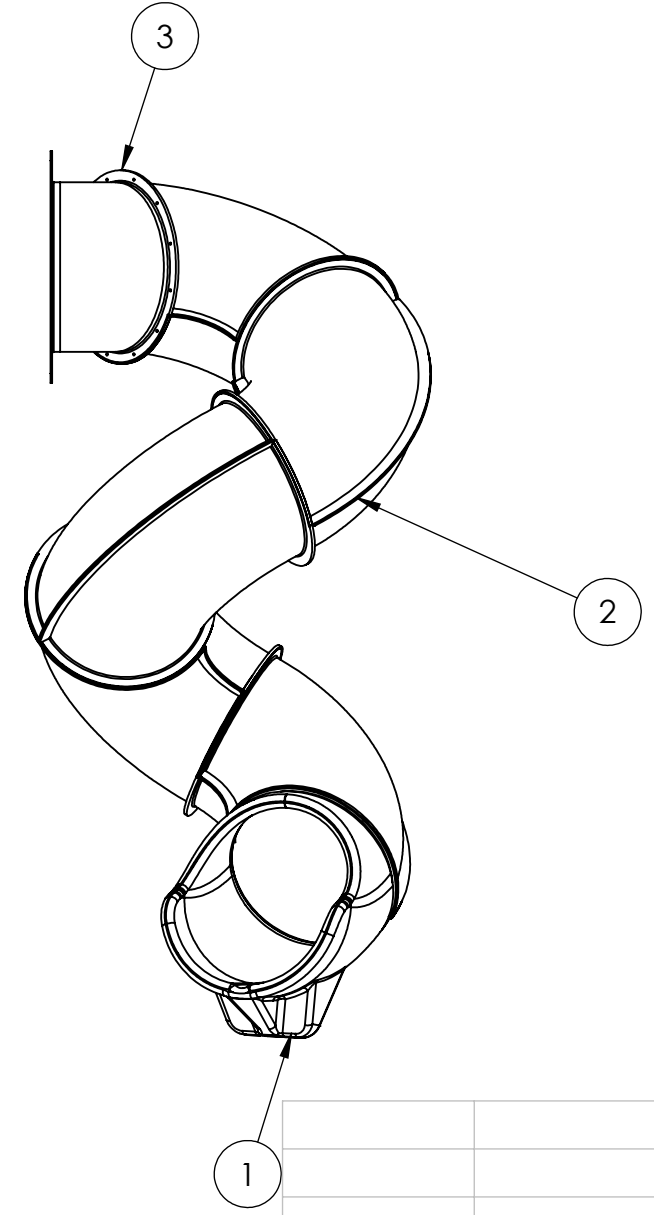
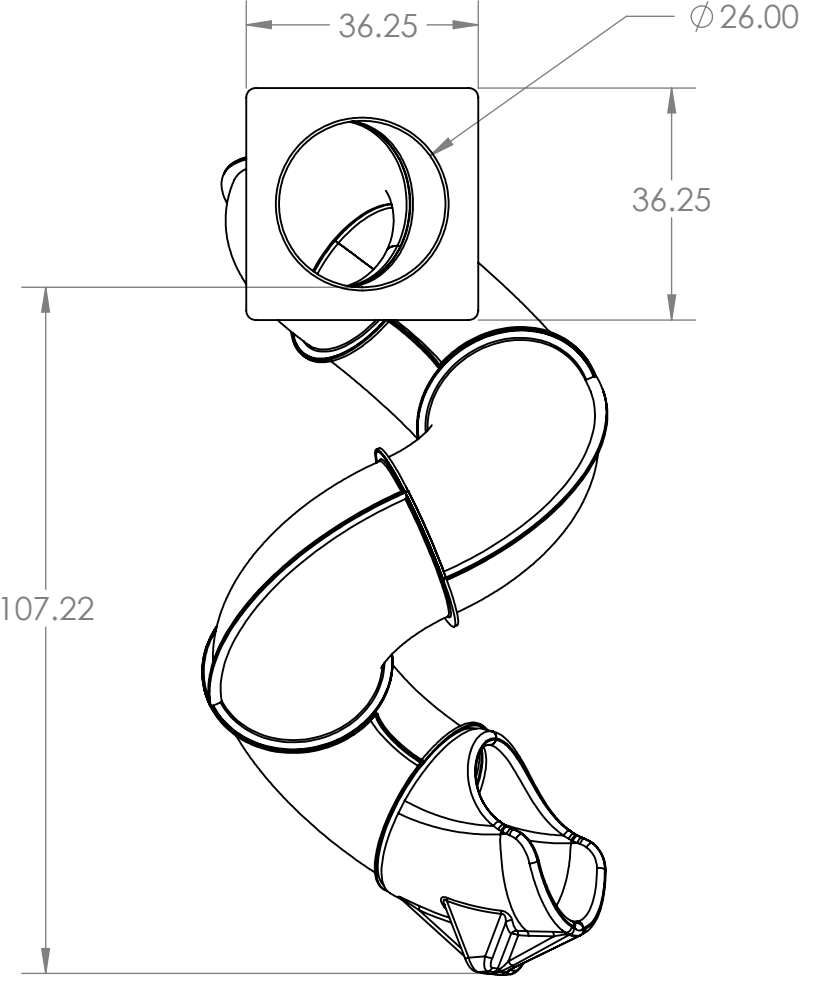
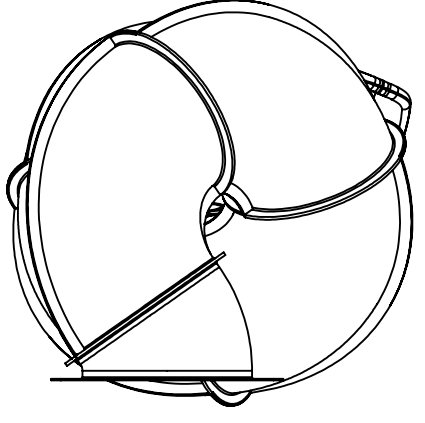
4

3

2

1

ITEM NO.	PART NUMBER	DESCRIPTION	QTY.
1	Default		1
2	90' Elbow Rt1		10
3	Entry Hood Rev 6	Entry Hood	1



B

B

A

A

PROPRIETARY AND CONFIDENTIAL
 THE INFORMATION CONTAINED IN THIS DRAWING IS THE SOLE PROPERTY OF <INSERT COMPANY NAME HERE>. ANY REPRODUCTION IN PART OR AS A WHOLE WITHOUT THE WRITTEN PERMISSION OF <INSERT COMPANY NAME HERE> IS PROHIBITED.

UNLESS OTHERWISE SPECIFIED:		NAME	DATE
DIMENSIONS ARE IN INCHES		DRAWN	
TOLERANCES:		CHECKED	
FRACTIONAL ±		ENG APPR.	
ANGULAR: MACH ± BEND ±		MFG APPR.	
TWO PLACE DECIMAL ±		Q.A.	
THREE PLACE DECIMAL ±		COMMENTS:	
INTERPRET GEOMETRIC TOLERANCING PER:			
MATERIAL			
SEE BOM			
NEXT ASSY	USED ON		
APPLICATION			
DO NOT SCALE DRAWING			

ATLAS MOLDING - Leola ,PA		
TITLE:		
TURBO TWISTER - 9FT		
SIZE	DWG. NO.	REV
B		
SCALE: 1:30	WEIGHT:	SHEET 1 OF 1

4

3

2

1