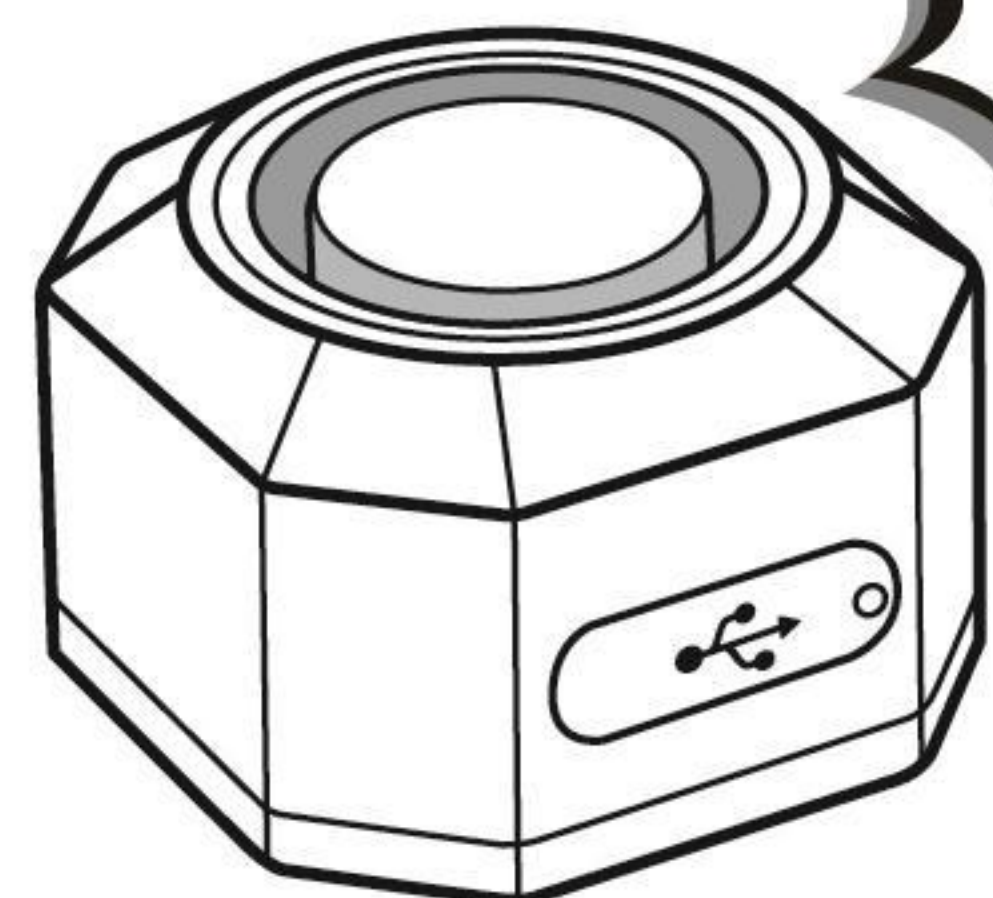


## Vibration Intrusion Detector Vehicle Anti-theft Alarm PRO

W-9014  
User Manual



Charge to Activate  
Before Use!

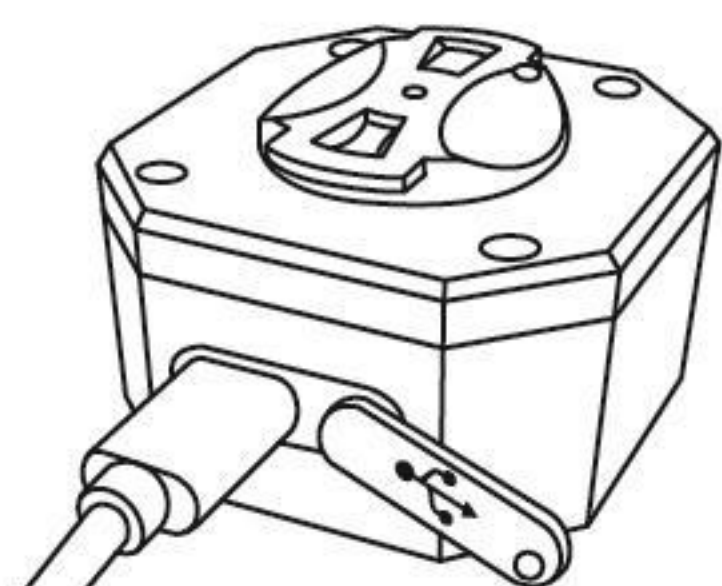
**Built-in lithium battery**  
Some fast charger plugs are not compatible.

Note: Pictures for reference only, subject to our available products.

### 1. Quick Installation Guide

#### 1.1. Charge to Activate Before Use

Please charge to activate before use, otherwise it may not work. And we recommend you fully charge.



#### Note:

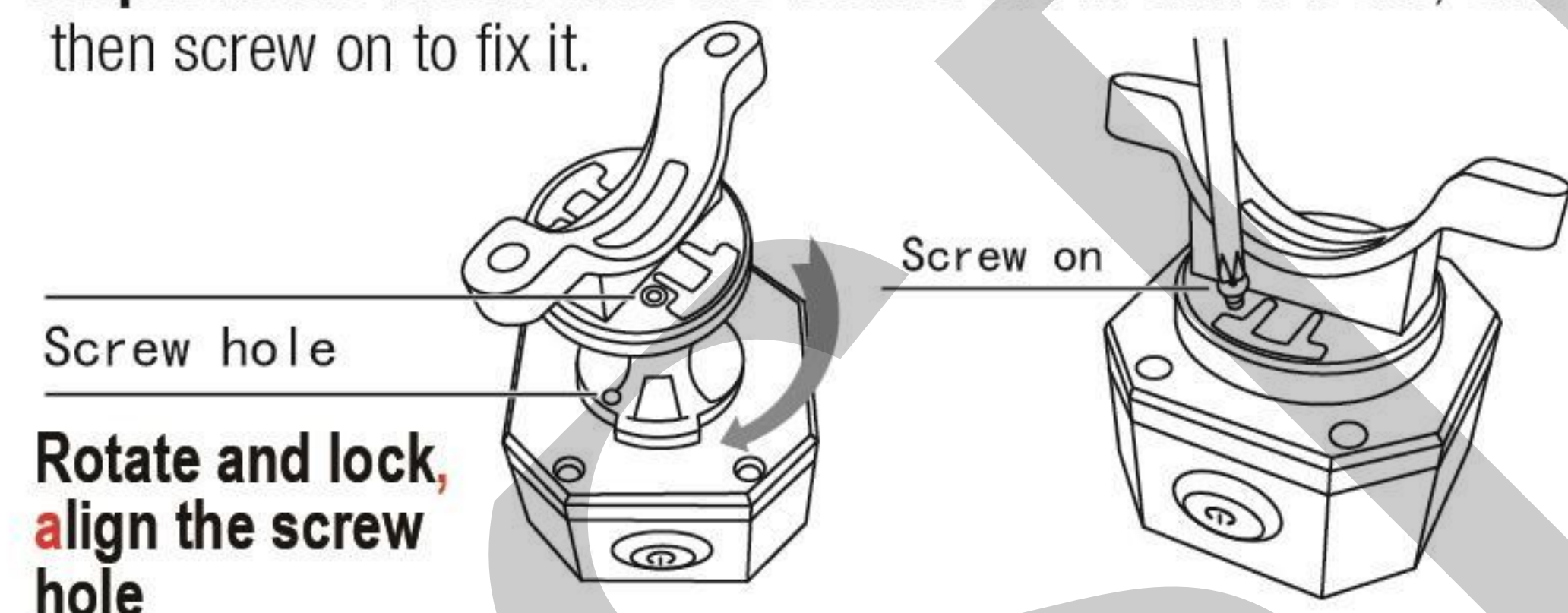
Please charge with the package included original USB cable, and 5v power adapter (package NOT included), please know some fast charger plugs are not compatible.

#### 1.2. Installation Method 1: Bracket installation

**1.2.1** Bracket installation more suitable for bikes, electric bikes, tricycles, which is fixed on handlebars, front axle frame, seat tube, rear frame or any other hidden place.

#### 1.2.2 Installation step:

**Step1.** Rotate bracket into the back of alarm until it locks, and then screw on to fix it.

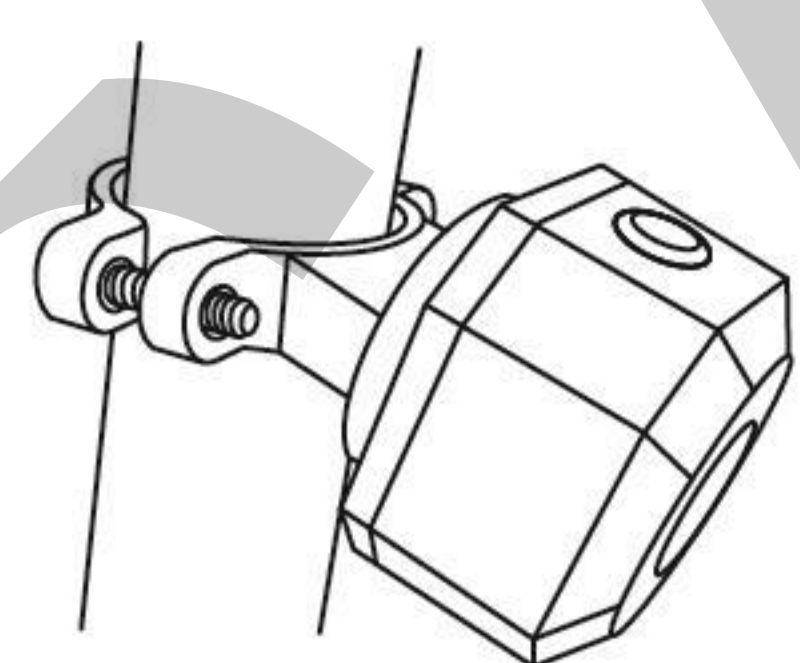


Screw hole

Screw on

Rotate and lock,  
align the screw  
hole

**Step2.** Place 2 silicone pads on two-part bracket, you should align the contours on the silicone pad with the grooves on the inside of the brackets; place two-part bracket with silicone pads on the selected tube, and tighten the screw until the mount does not slide on the tube. **Note:** You should check the tightness of the screw periodically.



Place two part brackets on tube and tighten with screw



Install on handlebars, front axle frame, seat tube, rear frame

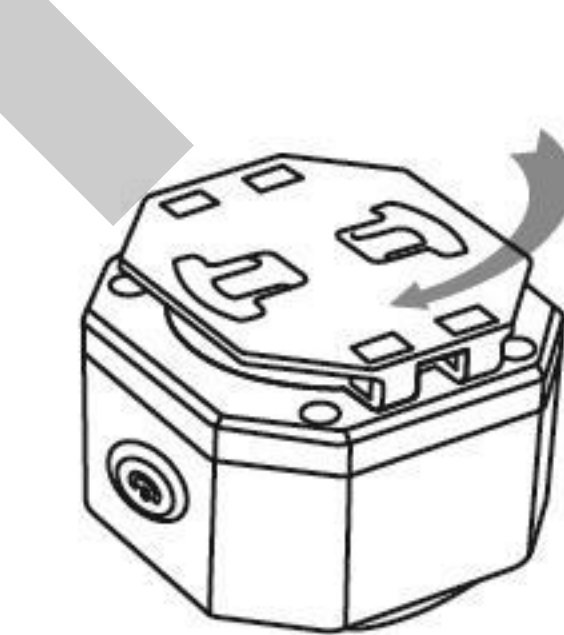
#### 1.3. Installation Method 2:

##### Zip ties/Double-sided tape installation

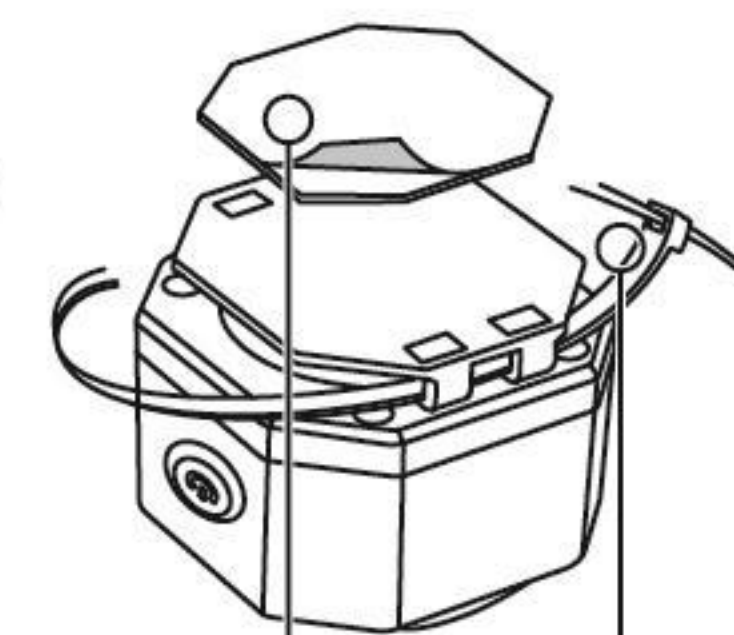
**1.3.1** You can choose the zip ties installation if the bracket diameter is not suitable for your frame diameter.

**1.3.2** If you'd like to install it in the seat cushion, trunk, under the pedal, or in the front storage box, you can choose the double-sided adhesive tape installation.

**1.3.3** Installation step: Rotate bracket base into the back of alarm until it locks, attach the alarm using zip ties/double-sided tape to selected position.



Rotate and lock



Zip ties/  
Double-sided tape

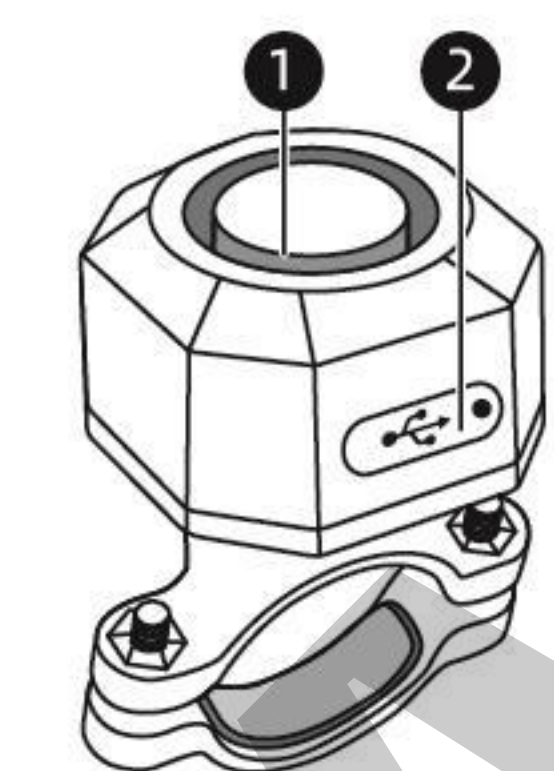


Installation position

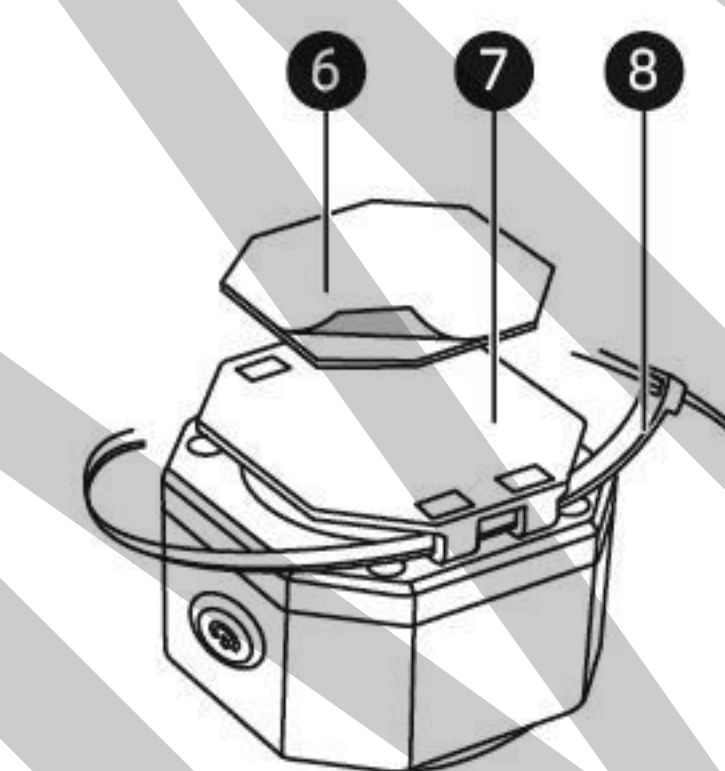
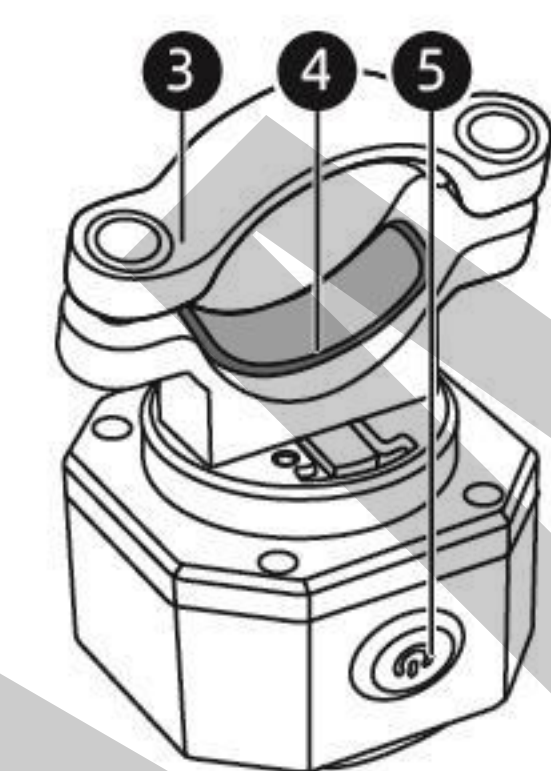
### 2. Product Instruction

#### 2.1 Alarm Diagram

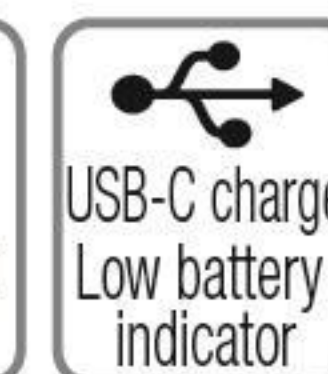
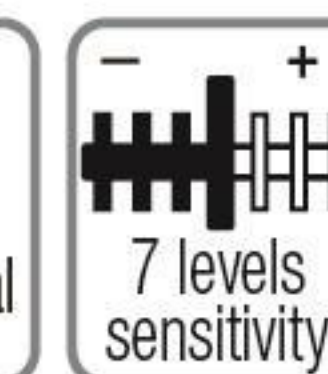
- ① Speaker ② 5V USB-C Port  
③ Two-part Bracket ④ Silicone Pad ⑤ Pair Button  
⑥ Double-sided Tape ⑦ Bracket Base ⑧ Zip Ties



Bracket Installation



Zip Ties / Double-sided  
Tape Installation



### 4. Use & Setting

Arm Button

Disarm Button

Ringtone Button

Bell Button

Bell Button

WL03C (Optional)

Arm Button

Disarm Button

Ringtone Button

Bell Button

Bell Button

WL09C (Optional)

#### 4.1 Arm and Disarm

**4.1.1** The alarm has to be controlled by remote, remote button function please see the above diagram.

**4.1.2 Arm button:** Press [ ] arm button, alarm makes "Duo.Re.Mi" prompt sound, **about 5s later**, it makes a "Bi" sound and enter arm mode. In arm mode, it makes alarm sounds for 2s when motion or vibration is detected, if any more motion or vibration is detected within 2-12 seconds, the alarm will make alarm sounds for 30 seconds.

**4.1.3 Disarm button:** In arm mode, press [ ] disarm button, alarm makes "Mi.Re.Duo" prompt sound and enters disarm mode. When arming, you can press [ ]disarm button to stop alarm and exit arm mode.

#### 4.2. Ringtone function

**4.2.1 Ringtone button:** Press [ ] ringtone button to select ringtone. 3 ringtones for your choice. (you can't use this function in arm mode)

#### 4.3. Bell and search function

**4.3.1 Bell button:** Press [ ] bell button, alarm makes the selected ringtone, it helps you to find out your vehicle more faster.

#### 4.4 Sensitivity Setting Method

**4.4.1** It has 7 sensitivity levels from high to low. Prompt sounds - Duo Re Mi Fa Sou La Xi correspond to 7 levels from high to low. Duo sound is the highest level. (The factory default is the highest sensitivity)

#### 4.4.2 Setting method:

**Step 1.** Press disarm button firstly, then press and hold [ ] disarm button until the remote indicator light go off and stay on (ignore the disarm prompt sounds while pressing), alarm enters setting process;

**Step 2.** Press [ ] arm button to select sensitivity level, Duo Re Mi Fa Sou La Xi correspond to 7 levels from high to low;

**Step 3.** Press [ ] disarm button to exit setting process. Done.

#### 4.5 Volume Setting Method

**4.5.1** It has 3 volume levels. (The factory default is the highest volume)

#### 4.5.2 Setting method:

**Step 1.** Press disarm button firstly, then press and hold [ ] disarm button until the remote indicator light go off and stay on (ignore the disarm prompt sounds while pressing), alarm enters setting process;

**Step 2.** Press [ ] bell button to select volume level, 3 volume levels from high to low;

**Step 3.** Press [ ] disarm button to exit setting process. Done.

**Note:** 1. If no any operation within 10s, remote indicator light will go off and alarm will exit setting process.

2. Please know it can't enter setting process in arm mode. Press [ ] disarm button before setting.



Indicator light

WL03C (Optional) WL09C

#### 4.6. Pair More Remotes/Alarms

Alarm and remote have been paired when you received. If you need to pair again or pair more remotes/alarms, please see the following steps.

#### 4.6.1 How to pair remote/alarm:

**Step 1.** Press disarm button on remote, **then press and hold the alarm** [ ] pair button on alarm about 3s until you heard a "Du" sound, it enters pairing process;

**Step 2.** Press [ ] arm/disarm button on remote, alarm will make "Du Du..." sound. Done.

**Note:** When in pairing process, press [ ] pair button on alarm, or not any operation within 30s, alarm will exit pairing process.

**4.6.2** Only one remote can be added at one time. If you need to add more remotes/alarms, please repeat the above steps.

**4.6.3** A alarm can pair up to 8 remotes, if exceeds, the ninth remote replaces the first one.

#### 4.6.4 Delete all pairing: [Please do with caution]

Press disarm button, then press and hold the [ ] pair button of alarm, about 3s later it will make a "Du" sound and enter the pairing process, ignore the sound and don't release, continue to press and hold the button for 7s until it makes three "Du" sounds. Done. All remotes will be deleted.

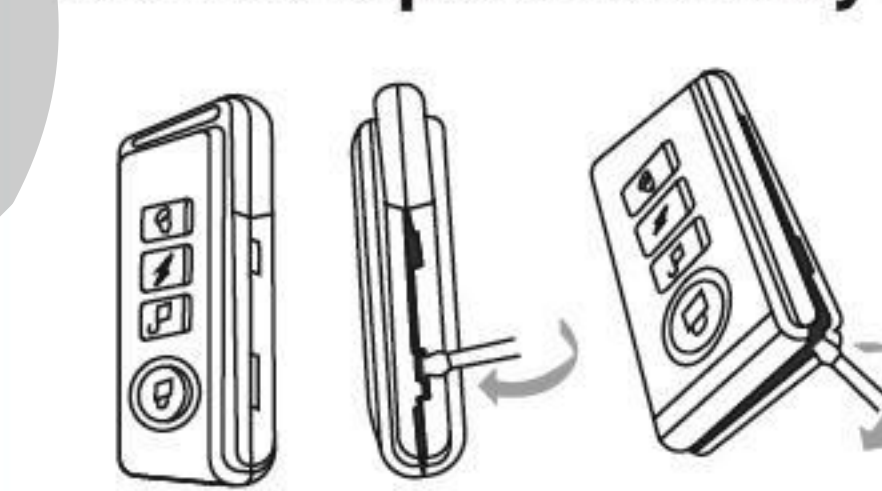
#### 4.7 Low Battery Warning & Charging

**4.7.1 Alarm:** If alarm is in low battery, when press [ ] arm/disarm button on the remote, the alarm will also make low-battery prompt sounds, in addition to the arm/disarm prompt sound. Open USB-C port cover, charge with original USB cable and your 5v power adapter (not included). When charging, the red indicator lights on, and go off when full charge.

**4.7.2 Remote:** If remote is in low battery, wireless range will be reduced, or, remote indicator no longer lights up or lights weak, please replace the remote control battery. (See the following diagram about how to replace battery for remote)

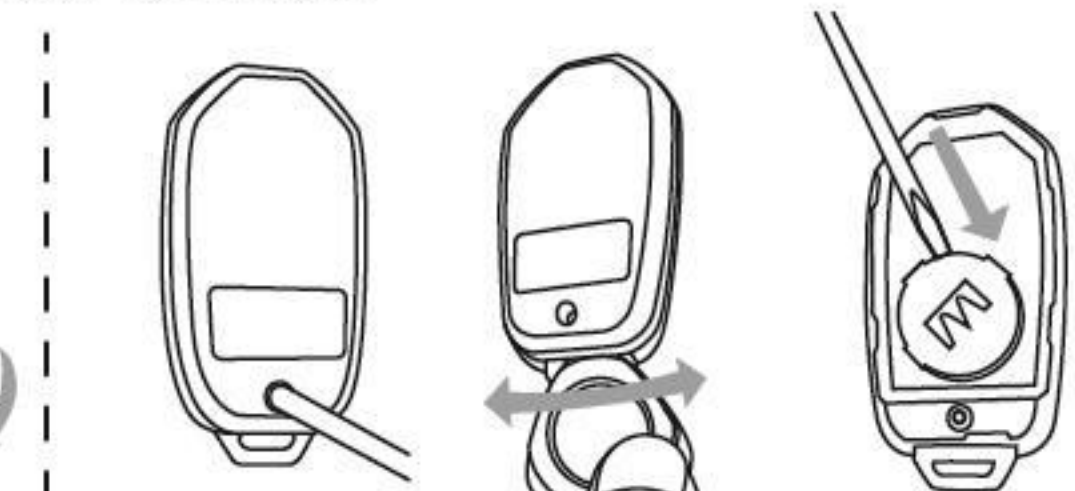
- The concealed installation of the alarm will lower the alarm volume.
- It is better NOT to install the alarm in a confined space made of metal. Metal has a shielding effect on wireless signals, which will reduce wireless range.

#### How to replace battery for remote



① Pry at the gap with a small flat screwdriver

② Slides up & down then expand and open the switch



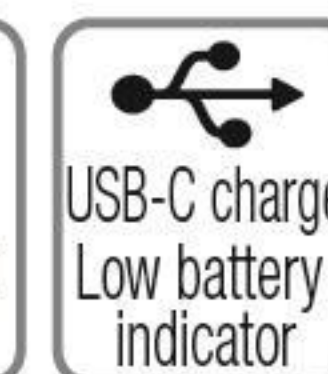
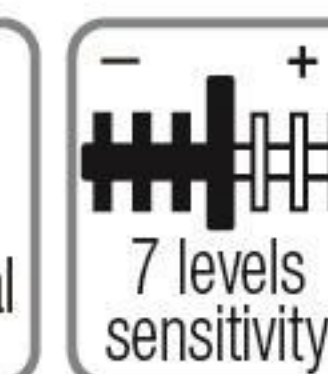
① Unscrew the screw with a Phillips screwdriver

② Pry at the gap with a small flat screwdriver, slides up & down then expand and open the switch

③ Push out the battery with flat blade screwdriver

### 3. Product Feature

- Vehicle Anti-theft Alarm PRO, your new bodyguard for bikes and vehicles !
- Build in lithium battery, USB-C charge, no replace battery!
- The 4th version of power-saving technology, long remote battery life!
- 3 Ringtones, long wireless range, easy to find your bike!
- Bracket/Zip ties/Double-sided tape 3 installation ways, suitable for various models vehicle!
- Car-level 6-segment alarm sound, 110dB loud alarm, effectively deter thief!
- Three-dimensional displacement sensor and special algorithms can accurately identify theft and reduce false alarms!
- 7 adjustable sensitivity levels from touch to beat, suitable for various occasions!
- PC+ anti-UV material, waterproof and dustproof, high and low temperature resistance, not afraid of wind, rain and severe cold and heat!



### 5. Product Parameter

5.1 Alarm Battery : 4.2V 700mAh lithium battery, working time about 1~3 months, standby time about 6 months.

5.2 Alarm Charge Port: Standard USB-C 5V  
(some quick chargers may not be compatible)

5.3 Remote Battery: WL03C: 27A(12V) Alkaline battery, working time about 1~2 years (5 times per day)  
WL09C: CR2032(3V) Button battery, working time about 2~4 years (5 times per day)

5.4 Working Frequency: 433.92MHz

5.5 Working Environment Temperature: -40 ~ +70 °C

5.6 Working Environment Humidity: <80%

5.7 Storage Temperature: -40 ~ +70 °C

### 6. Troubleshooting

#### 6. Can't control

**6.1** Check remote control indicator. If it no longer lights up or lights weak, please replace new battery for the remote control.

**6.2** The alarm is in low power consumption mode when you receive. In this mode, remote can not control the alarm. Please charge the alarm at least 1 minute to activate before use, otherwise remote unable to control the alarm.

**6.3** If alarm have been charged and activated, remote still doesn't work, please pair the remote and alarm again. The pairing method please see 4.6.1.