



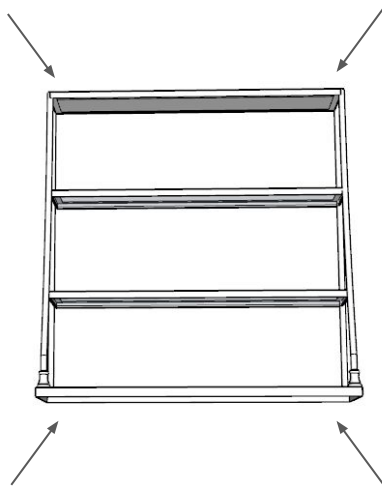
# FITTINGS

METAL COLLECTION

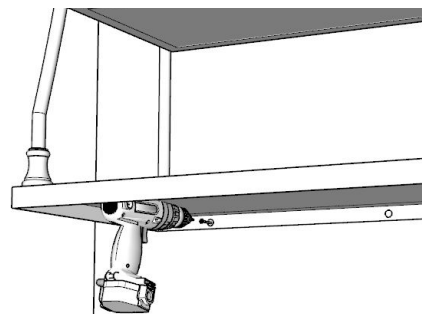
## WALL SHELVING



- A.** Locate studs or suitable blocking.



- B.** Drill 3/16 clearance holes through metal and affix with provided screws meeting blocking at key points.



We recommend professional installation with all of our products to ensure that all the attachments and blocking considerations are met. Weight limitations and number of fasteners should be considered by the final user and professional installer. Product was tested to support 100 pounds with proper blocking. Installers are responsible for any anti-tip fasteners or devices. Certain products are not recommended for free-standing pieces.