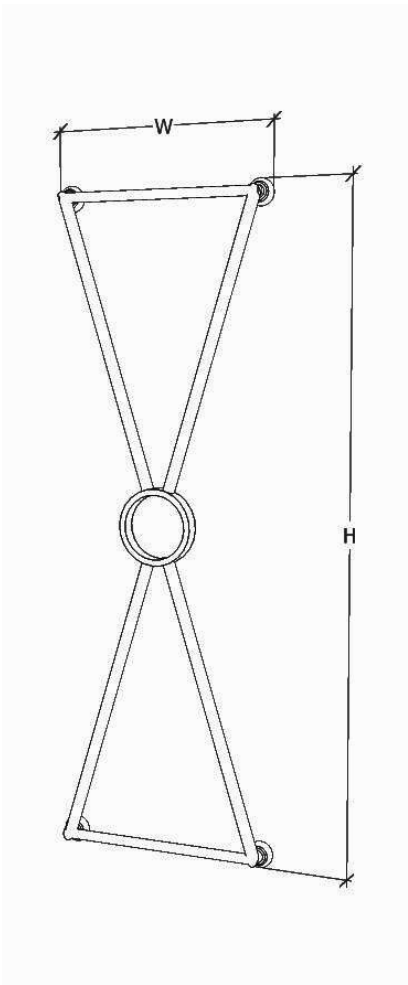




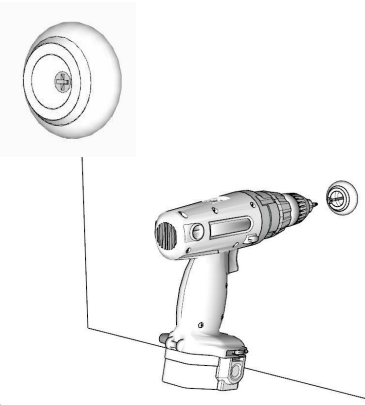
FITTINGS

METAL COLLECTION

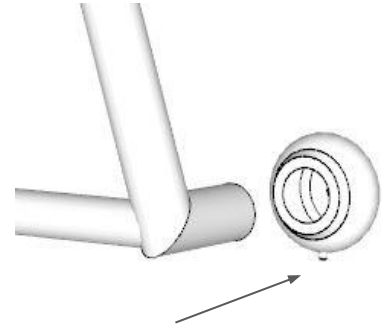
WALL END CAP



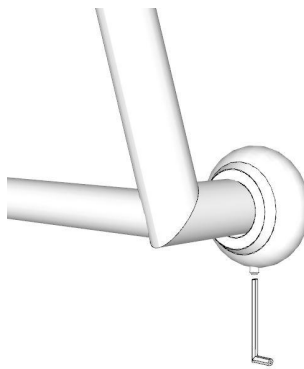
- A.** Mount collars to suitable blocking or cabinet panel and affix by screwing into place.



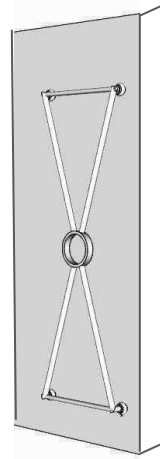
- B.** Place set screw in outer hole (facing set screw where it will be least visible). Slide end panel into collar.



- C.** Tighten set screw against the end panel to secure into place.



- D.**



We recommend professional installation with all of our products to ensure that all the attachments and blocking considerations are met. Weight limitations and number of fasteners should be considered by the final user and professional installer. Installers are responsible for any anti-tip fasteners or devices. Certain products are not recommended for free-standing pieces.