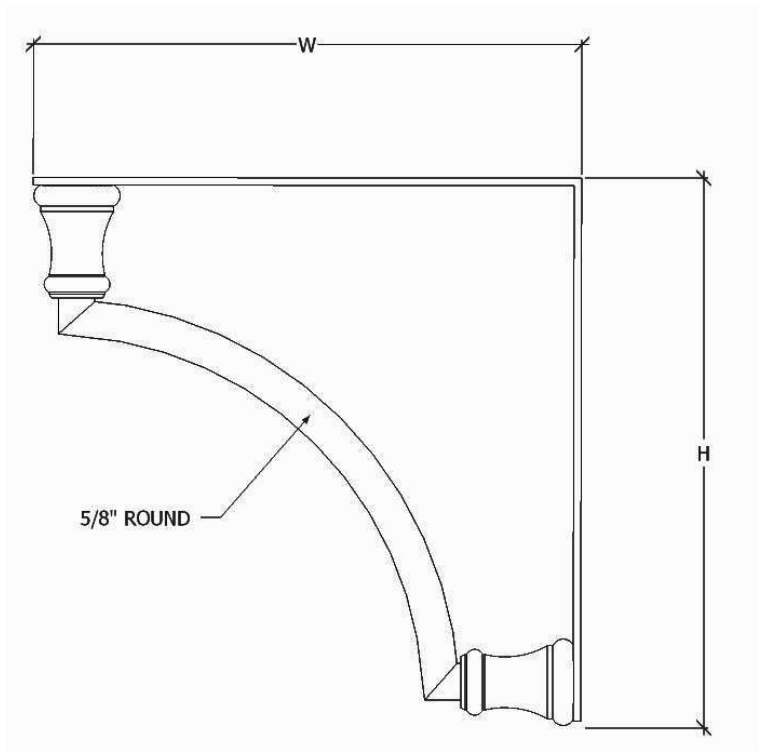




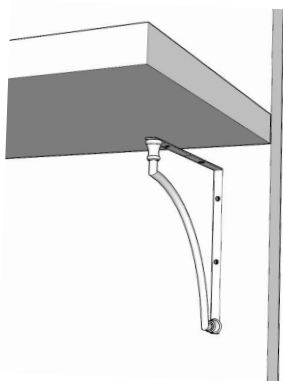
FITTINGS

CORBEL

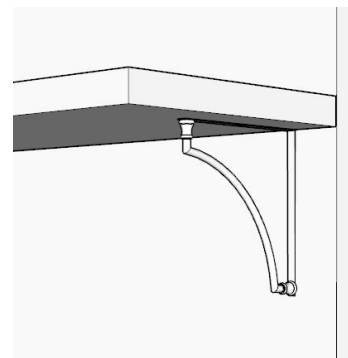
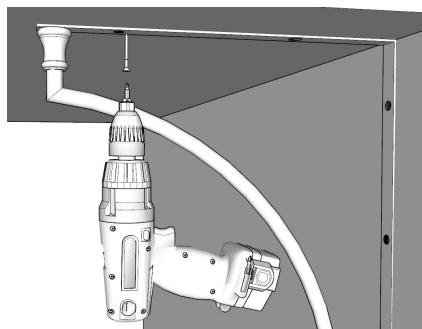
METAL COLLECTION



- A.** Choose desired location with suitable blocking for application and mark drilling points on metal frame.



- B.** Secure to surface by drilling through metal on back and top frames.



We recommend professional installation with all of our products to ensure that all the attachments and blocking considerations are met. Weight limitations and number of fasteners should be considered by the final user and professional installer. Installers are responsible for any anti-tip fasteners or devices. Certain products are not recommended for free-standing pieces.