



FITTINGS

METAL COLLECTION



PRICE & SPECIFICATION GUIDE
SPRING 2023



FITTINGS

METAL COLLECTION

To Place Orders: fittingscollection.com

For Trade Info: sales@fittingscollection.com

Customer Service: info@fittingscollection.com

Phone: 330.591.2810



Handcrafted in the USA



CONTENTS

- WALL SHELF.....4
- DOUBLE WALL SHELF.....6
- TALL WALL SHELF.....7
- DOUBLE TALL WALL SHELF.....8
- ROUND & SQUARE ETAGERE.....9
- CEILING MOUNT SHELF.....10
- DOUBLE CEILING MOUNT SHELF.....12
- ROUND CEILING MOUNT SHELF.....13
- RANGE HOODS.....14
- WALL & TALL END CAP.....15
- BASE END CAP.....16
- ISLAND END CAP.....17
- TABLE EXTENSIONS.....18
- ORNAMENTAL LEGS.....21
- RAISED COUNTER SUPPORT24
- FOOT RAIL.....25
- BAR SUPPORT SYSTEM.....26
- VANITY BASES.....28
- BISTRO SHELVING.....30
- BRACKET SHELVING.....34
- ACCESSORIES.....39
- POLICIES & PROCEDURES.....46
- FINISHES.....47

*All prices in the catalog are list price. Prices subject to change. For current pricing visit fittingscollection.com.



WALL SHELF

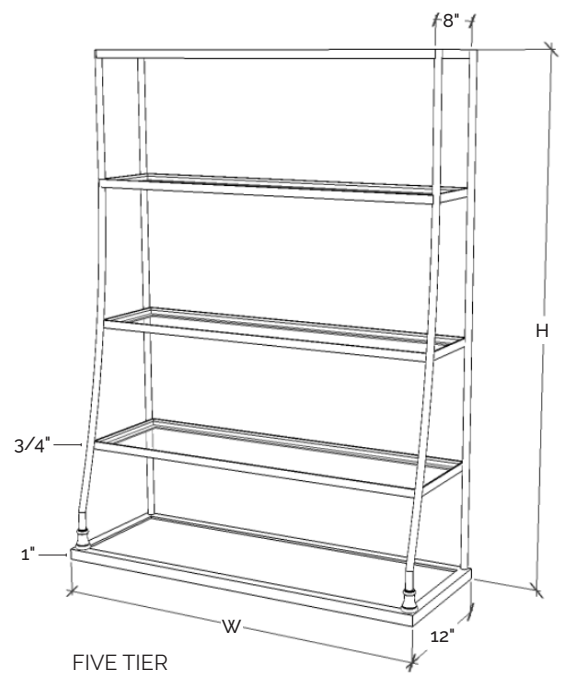
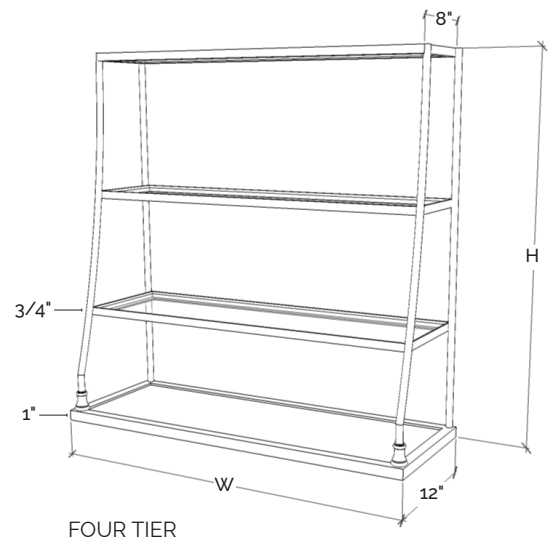
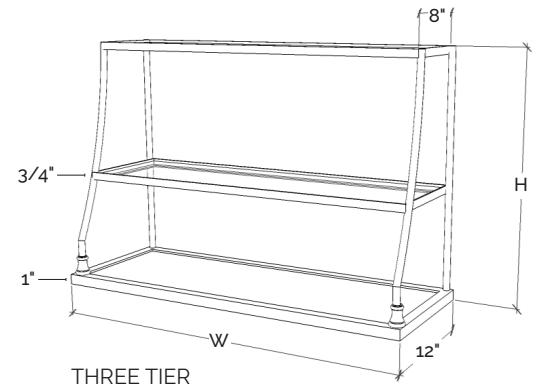
Base Shelf: Metal

Upper Shelving: Tempered Glass

Shelf spacing is divided equally.

Base shelf 1" tall

Upper shelving 3/4" tall



PRODUCT SPECIFICATIONS & PRICING

THREE TIER

width

	9	12	15	18	21	24	27	30	33	36	39	42
18	W918-3	W1218-3	W1518-3	W1818-3	W2118-3	W2418-3	W2718-3	W3018-3	W3318-3	W3618-3	W3918-3	W4218-3
	\$1,456.31	\$1,529.39	\$1,605.86	\$1,686.07	\$1,770.43	\$1,859.36	\$1,953.32	\$2,052.86	\$2,158.55	\$2,271.03	\$2,391.01	\$2,519.26
21	W921-3	W1221-3	W1521-3	W1821-3	W2121-3	W2421-3	W2721-3	W3021-3	W3321-3	W3621-3	W3921-3	W4221-3
	\$1,469.42	\$1,542.50	\$1,619.05	\$1,699.42	\$1,784.01	\$1,873.26	\$1,967.66	\$2,067.73	\$2,174.08	\$2,287.36	\$2,408.28	\$2,537.65
24	W924-3	W1224-3	W1524-3	W1824-3	W2124-3	W2424-3	W2724-3	W3024-3	W3324-3	W3624-3	W3924-3	W4224-3
	\$1,482.87	\$1,556.07	\$1,632.80	\$1,713.43	\$1,798.36	\$1,888.05	\$1,982.99	\$2,083.72	\$2,190.85	\$2,305.05	\$2,427.04	\$2,557.64
27	W927-3	W1227-3	W1527-3	W1827-3	W2127-3	W2427-3	W2727-3	W3027-3	W3327-3	W3627-3	W3927-3	W4227-3
	\$1,496.90	\$1,570.41	\$1,647.52	\$1,728.61	\$1,814.09	\$1,904.42	\$2,000.10	\$2,101.70	\$2,209.82	\$2,325.14	\$2,448.42	\$2,580.49
30	W930-3	W1230-3	W1530-3	W1830-3	W2130-3	W2430-3	W2730-3	W3030-3	W3330-3	W3630-3	W3930-3	W4230-3
	\$1,511.28	\$1,585.21	\$1,662.81	\$1,744.46	\$1,830.60	\$1,921.68	\$2,018.23	\$2,120.80	\$2,230.03	\$2,346.61	\$2,471.30	\$2,604.95

FOUR TIER

width

	9	12	15	18	21	24	27	30	33	36	39	42
30	W930-4	W1230-4	W1530-4	W1830-4	W2130-4	W2430-4	W2730-4	W3030-4	W3330-4	W3630-4	W3930-4	W4230-4
	\$1,729.21	\$1,824.08	\$1,923.37	\$2,027.59	\$2,137.28	\$2,253.03	\$2,375.50	\$2,505.45	\$2,643.69	\$2,791.13	\$2,948.77	\$3,117.75
33	W933-4	W1233-4	W1533-4	W1833-4	W2133-4	W2433-4	W2733-4	W3033-4	W3333-4	W3633-4	W3933-4	W4233-4
	\$1,741.56	\$1,836.39	\$1,935.72	\$2,040.04	\$2,149.91	\$2,265.93	\$2,388.79	\$2,519.22	\$2,658.07	\$2,806.26	\$2,964.81	\$3,134.87
36	W936-4	W1236-4	W1536-4	W1836-4	W2136-4	W2436-4	W2736-4	W3036-4	W3336-4	W3636-4	W3936-4	W4236-4
	\$1,754.44	\$1,849.42	\$1,948.97	\$2,053.60	\$2,163.85	\$2,280.34	\$2,403.77	\$2,534.90	\$2,674.57	\$2,823.71	\$2,983.37	\$3,154.71
39	W939-4	W1239-4	W1539-4	W1839-4	W2139-4	W2439-4	W2739-4	W3039-4	W3339-4	W3639-4	W3939-4	W4239-4
	\$1,767.41	\$1,862.55	\$1,962.34	\$2,067.27	\$2,177.91	\$2,294.90	\$2,418.92	\$2,550.75	\$2,691.25	\$2,841.37	\$3,002.17	\$3,174.82
42	W942-4	W1242-4	W1542-4	W1842-4	W2142-4	W2442-4	W2742-4	W3042-4	W3342-4	W3642-4	W3942-4	W4242-4
	\$1,780.68	\$1,876.09	\$1,976.21	\$2,081.55	\$2,192.70	\$2,310.27	\$2,435.00	\$2,567.64	\$2,709.09	\$2,860.30	\$3,022.35	\$3,196.43
45	W945-4	W1245-4	W1545-4	W1845-4	W2145-4	W2445-4	W2745-4	W3045-4	W3345-4	W3645-4	W3945-4	W4245-4
	\$1,794.49	\$1,890.36	\$1,991.00	\$2,096.96	\$2,208.79	\$2,327.16	\$2,452.78	\$2,586.45	\$2,729.05	\$2,881.56	\$3,045.06	\$3,220.78
48	W948-4	W1248-4	W1548-4	W1848-4	W2148-4	W2448-4	W2748-4	W3048-4	W3348-4	W3648-4	W3948-4	W4248-4
	\$1,808.16	\$1,904.40	\$2,005.50	\$2,111.98	\$2,224.43	\$2,343.52	\$2,469.96	\$2,604.57	\$2,748.25	\$2,901.98	\$3,066.88	\$3,244.17

FIVE TIER

width

	9	12	15	18	21	24	27	30	33	36	39	42
48	W948-5	W1248-5	W1548-5	W1848-5	W2148-5	W2448-5	W2748-5	W3048-5	W3348-5	W3648-5	W3948-5	W4248-5
	\$2,034.32	\$2,158.60	\$2,288.08	\$2,423.30	\$2,564.86	\$2,713.41	\$2,869.70	\$3,034.51	\$3,208.75	\$3,393.38	\$3,589.49	\$3,798.28
54	W954-5	W1254-5	W1554-5	W1854-5	W2154-5	W2454-5	W2754-5	W3054-5	W3354-5	W3654-5	W3954-5	W4254-5
	\$2,058.71	\$2,183.16	\$2,312.91	\$2,448.53	\$2,590.60	\$2,739.82	\$2,896.92	\$3,062.71	\$3,238.12	\$3,424.13	\$3,621.85	\$3,832.50
60	W960-5	W1260-5	W1560-5	W1860-5	W2160-5	W2460-5	W2760-5	W3060-5	W3360-5	W3660-5	W3960-5	W4260-5
	\$2,083.29	\$2,207.93	\$2,337.99	\$2,474.01	\$2,616.64	\$2,766.54	\$2,924.48	\$3,091.30	\$3,267.91	\$3,455.35	\$3,654.73	\$3,867.30
66	W966-5	W1266-5	W1566-5	W1866-5	W2166-5	W2466-5	W2766-5	W3066-5	W3366-5	W3666-5	W3966-5	W4266-5
	\$2,108.74	\$2,233.87	\$2,364.52	\$2,501.26	\$2,644.73	\$2,795.63	\$2,954.72	\$3,122.87	\$3,301.02	\$3,490.20	\$3,691.56	\$3,906.37
72	W972-5	W1272-5	W1572-5	W1872-5	W2172-5	W2472-5	W2772-5	W3072-5	W3372-5	W3672-5	W3972-5	W4272-5
	\$2,134.83	\$2,260.65	\$2,392.11	\$2,529.78	\$2,674.31	\$2,826.41	\$2,986.88	\$3,156.58	\$3,336.48	\$3,527.63	\$3,731.21	\$3,948.51



DOUBLE WALL SHELF

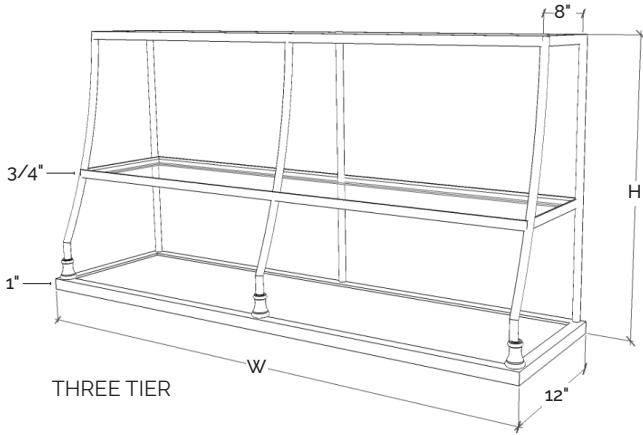
Base Shelf: Metal

Upper Shelving: Tempered Glass

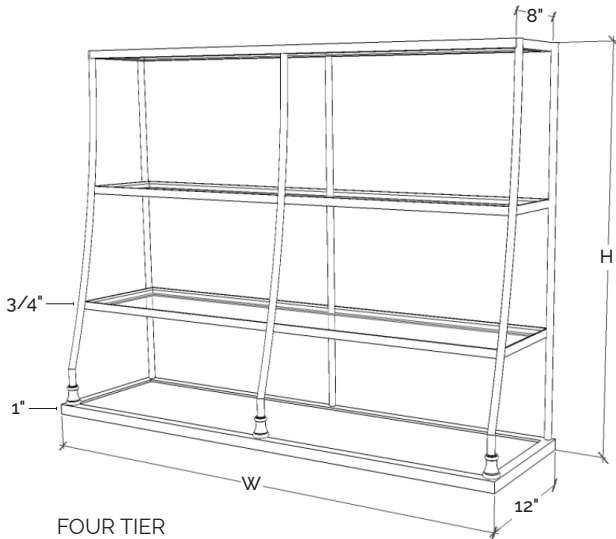
Shelf spacing is divided equally.

Base shelf 1" tall

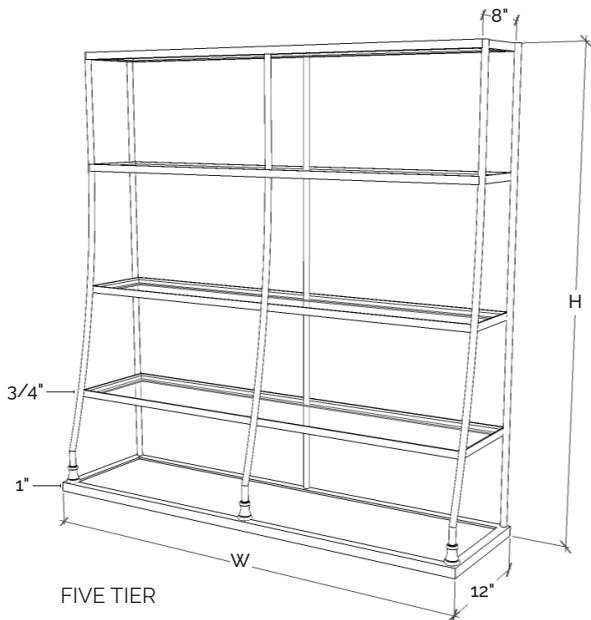
Upper shelving 3/4" tall



THREE TIER



FOUR TIER



FIVE TIER

THREE TIER

width

	45	48	54	60	66	72
18	DW4518-3	DW4818-3	DW5418-3	DW6018-3	DW6618-3	DW7218-3
	\$2,585.48	\$2,668.81	\$2,795.91	\$2,926.57	\$3,061.08	\$3,199.74
21	DW4521-3	DW4821-3	DW5421-3	DW6021-3	DW6621-3	DW7221-3
	\$2,597.12	\$2,680.45	\$2,806.95	\$2,937.08	\$3,071.11	\$3,209.34
24	DW4524-3	DW4824-3	DW5424-3	DW6024-3	DW6624-3	DW7224-3
	\$2,610.21	\$2,693.64	\$2,819.75	\$2,949.53	\$3,083.27	\$3,221.28
27	DW4527-3	DW4827-3	DW5427-3	DW6027-3	DW6627-3	DW7227-3
	\$2,626.08	\$2,709.81	\$2,835.89	\$2,965.70	\$3,099.54	\$3,237.70
30	DW4530-3	DW4830-3	DW5430-3	DW6030-3	DW6630-3	DW7230-3
	\$2,664.62	\$2,750.21	\$2,879.41	\$3,012.39	\$3,149.45	\$3,290.92

height

FOUR TIER

width

	45	48	54	60	66	72
30	DW4530-4	DW4830-4	DW5430-4	DW6030-4	DW6630-4	DW7230-4
	\$3,027.58	\$3,123.90	\$3,277.10	\$3,432.84	\$3,591.26	\$3,752.51
33	DW4533-4	DW4833-4	DW5433-4	DW6033-4	DW6633-4	DW7233-4
	\$3,036.73	\$3,132.74	\$3,285.01	\$3,439.84	\$3,597.37	\$3,757.76
36	DW4536-4	DW4836-4	DW5436-4	DW6036-4	DW6636-4	DW7236-4
	\$3,048.59	\$3,144.47	\$3,296.18	\$3,450.46	\$3,607.47	\$3,767.37
39	DW4539-4	DW4839-4	DW5439-4	DW6039-4	DW6639-4	DW7239-4
	\$3,060.48	\$3,156.25	\$3,307.40	\$3,461.15	\$3,617.64	\$3,777.04
42	DW4542-4	DW4842-4	DW5442-4	DW6042-4	DW6642-4	DW7242-4
	\$3,073.76	\$3,169.50	\$3,320.28	\$3,473.67	\$3,629.83	\$3,788.93
45	DW4545-4	DW4845-4	DW5445-4	DW6045-4	DW6645-4	DW7245-4
	\$3,089.73	\$3,185.64	\$3,336.41	\$3,489.82	\$3,646.02	\$3,805.18
48	DW4548-4	DW4848-4	DW5448-4	DW6048-4	DW6648-4	DW7248-4
	\$3,104.42	\$3,200.40	\$3,350.99	\$3,504.24	\$3,660.31	\$3,819.35

height

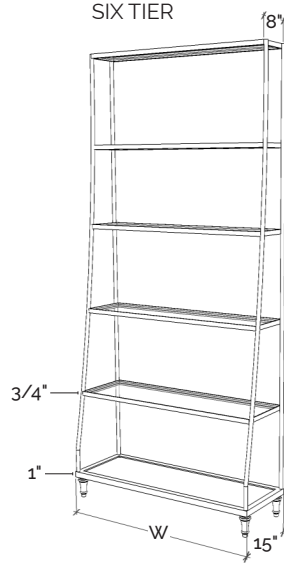
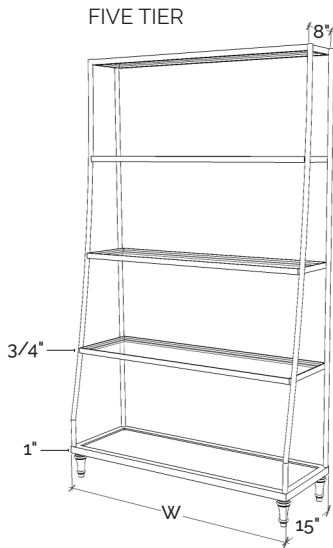
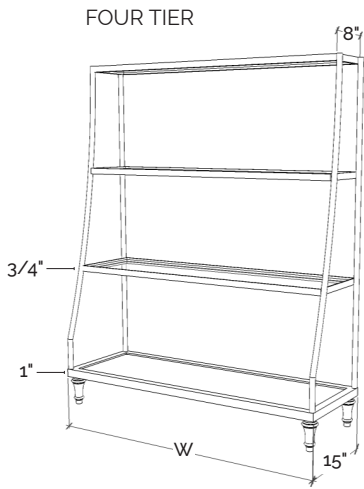
FIVE TIER

width

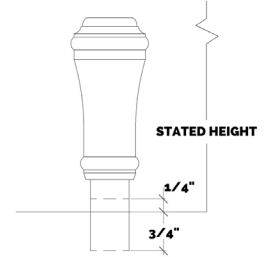
	45	48	54	60	66	72
48	DW4548-5	DW4848-5	DW5448-5	DW6048-5	DW6648-5	DW7248-5
	\$3,601.37	\$3,722.59	\$3,914.02	\$4,108.33	\$4,305.67	\$4,506.19
54	DW4554-5	DW4854-5	DW5454-5	DW6054-5	DW6654-5	DW7254-5
	\$3,616.28	\$3,737.40	\$3,928.10	\$4,121.72	\$4,318.39	\$4,518.29
60	DW4560-5	DW4860-5	DW5460-5	DW6060-5	DW6660-5	DW7260-5
	\$3,635.27	\$3,756.57	\$3,947.11	\$4,140.59	\$4,337.16	\$4,536.98
66	DW4566-5	DW4866-5	DW5466-5	DW6066-5	DW6666-5	DW7266-5
	\$3,654.37	\$3,775.85	\$3,966.23	\$4,159.58	\$4,356.05	\$4,555.81
72	DW4572-5	DW4872-5	DW5472-5	DW6072-5	DW6672-5	DW7272-5
	\$3,674.90	\$3,796.66	\$3,987.07	\$4,180.48	\$4,377.05	\$4,576.93

height

TALL WALL SHELF



Base Shelf: Metal
Upper Shelving: Tempered Glass
 Base shelf 1" tall
 Upper shelving 3/4" tall
 Shelf spacing is divided equally.
Adjustable Feet: Adjusts 1/4" shorter and 3/4" longer than stated size.



FOUR TIER

width

	12	15	18	21	24	27	30	33	36	39	42
34.5	TW1234-5-4	TW1534-5-4	TW1834-5-4	TW2134-5-4	TW2434-5-4	TW2734-5-4	TW3034-5-4	TW3334-5-4	TW3634-5-4	TW3934-5-4	TW4234-5-4
	\$1,954.55	\$2,037.91	\$2,122.67	\$2,208.92	\$2,296.75	\$2,386.25	\$2,477.52	\$2,570.68	\$2,665.83	\$2,763.11	\$2,862.64
40.5	TW1240-5-4	TW1540-5-4	TW1840-5-4	TW2140-5-4	TW2440-5-4	TW2740-5-4	TW3040-5-4	TW3340-5-4	TW3640-5-4	TW3940-5-4	TW4240-5-4
	\$1,970.24	\$2,052.04	\$2,135.27	\$2,220.01	\$2,306.36	\$2,394.42	\$2,484.29	\$2,576.08	\$2,669.91	\$2,765.90	\$2,864.19
46.5	TW1246-5-4	TW1546-5-4	TW1846-5-4	TW2146-5-4	TW2446-5-4	TW2746-5-4	TW3046-5-4	TW3346-5-4	TW3646-5-4	TW3946-5-4	TW4246-5-4
	\$1,988.04	\$2,068.74	\$2,150.90	\$2,234.61	\$2,319.96	\$2,407.04	\$2,495.98	\$2,586.87	\$2,679.84	\$2,775.02	\$2,872.54

height

FIVE TIER

width

	12	15	18	21	24	27	30	33	36	39	42
48	TW1248-5	TW1548-5	TW1848-5	TW2148-5	TW2448-5	TW2748-5	TW3048-5	TW3348-5	TW3648-5	TW3948-5	TW4248-5
	\$2,264.84	\$2,389.16	\$2,518.63	\$2,653.77	\$2,795.18	\$2,943.51	\$3,099.47	\$3,263.88	\$3,437.59	\$3,621.59	\$3,816.94
54	TW1254-5	TW1554-5	TW1854-5	TW2154-5	TW2454-5	TW2754-5	TW3054-5	TW3354-5	TW3654-5	TW3954-5	TW4254-5
	\$2,282.95	\$2,406.33	\$2,534.95	\$2,669.37	\$2,810.18	\$2,958.05	\$3,113.70	\$3,277.97	\$3,451.73	\$3,635.98	\$3,831.81
60	TW1260-5	TW1560-5	TW1860-5	TW2160-5	TW2460-5	TW2760-5	TW3060-5	TW3360-5	TW3660-5	TW3960-5	TW4260-5
	\$2,302.41	\$2,425.15	\$2,553.23	\$2,687.22	\$2,827.73	\$2,975.44	\$3,131.10	\$3,295.54	\$3,469.66	\$3,654.48	\$3,851.11
66	TW1266-5	TW1566-5	TW1866-5	TW2166-5	TW2466-5	TW2766-5	TW3066-5	TW3366-5	TW3666-5	TW3966-5	TW4266-5
	\$2,324.02	\$2,446.59	\$2,574.61	\$2,708.66	\$2,849.36	\$2,997.41	\$3,153.56	\$3,318.66	\$3,493.64	\$3,679.54	\$3,877.48
72	TW1272-5	TW1572-5	TW1872-5	TW2172-5	TW2472-5	TW2772-5	TW3072-5	TW3372-5	TW3672-5	TW3972-5	TW4272-5
	\$2,346.99	\$2,469.69	\$2,597.96	\$2,732.37	\$2,873.56	\$3,022.24	\$3,179.19	\$3,345.27	\$3,521.44	\$3,708.73	\$3,908.31

height

SIX TIER

width

	12	15	18	21	24	27	30	33	36	39	42
72	TW1272-6	TW1572-6	TW1872-6	TW2172-6	TW2472-6	TW2772-6	TW3072-6	TW3372-6	TW3672-6	TW3972-6	TW4272-6
	\$2,610.39	\$2,776.51	\$2,951.77	\$3,137.32	\$3,334.46	\$3,544.65	\$3,769.52	\$4,010.94	\$4,270.97	\$4,551.98	\$4,856.58
78	TW1278-6	TW1578-6	TW1878-6	TW2178-6	TW2478-6	TW2778-6	TW3078-6	TW3378-6	TW3678-6	TW3978-6	TW4278-6
	\$2,634.41	\$2,800.71	\$2,976.36	\$3,162.56	\$3,360.63	\$3,572.05	\$3,798.52	\$4,041.92	\$4,304.39	\$4,588.33	\$4,896.45
84	TW1284-6	TW1584-6	TW1884-6	TW2184-6	TW2484-6	TW2784-6	TW3084-6	TW3384-6	TW3684-6	TW3984-6	TW4284-6
	\$2,659.14	\$2,825.76	\$3,001.95	\$3,188.94	\$3,388.09	\$3,600.91	\$3,829.13	\$4,074.70	\$4,339.80	\$4,626.87	\$4,938.71
90	TW1290-6	TW1590-6	TW1890-6	TW2190-6	TW2490-6	TW2790-6	TW3090-6	TW3390-6	TW3690-6	TW3990-6	TW4290-6
	\$2,684.61	\$2,851.67	\$3,028.55	\$3,216.48	\$3,416.85	\$3,631.23	\$3,861.38	\$4,109.29	\$4,377.20	\$4,667.62	\$4,983.39

height



DOUBLE TALL WALL SHELF

Base Shelf: Metal

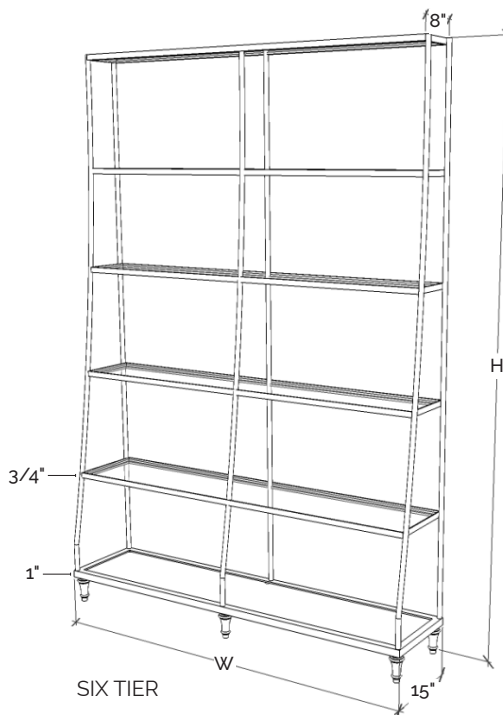
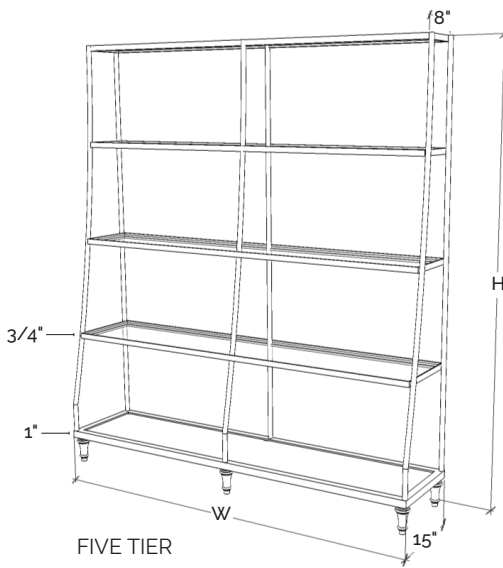
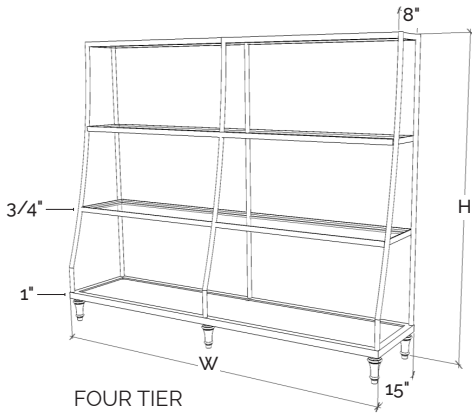
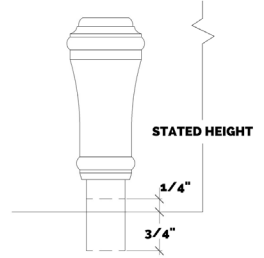
Upper Shelving: Tempered Glass

Shelf spacing is divided equally.

Base shelf 1" tall

Upper shelving 3/4" tall

Adjustable Feet: Adjusts 1/4" shorter and 3/4" longer than stated size.



FOUR TIER

width

	45	48	54	60	66
34.5	DTW4534.5-4	DTW4834.5-4	DTW5434.5-4	DTW6034.5-4	DTW6634.5-4
	\$3,042.81	\$3,136.02	\$3,291.73	\$3,449.57	\$3,609.66
40.5	DTW4540.5-4	DTW4840.5-4	DTW5440.5-4	DTW6040.5-4	DTW6640.5-4
	\$3,047.89	\$3,139.74	\$3,292.10	\$3,446.63	\$3,603.46
46.5	DTW4546.5-4	DTW4846.5-4	DTW5446.5-4	DTW6046.5-4	DTW6646.5-4
	\$3,060.19	\$3,151.14	\$3,301.09	\$3,453.24	\$3,607.75

height

FIVE TIER

width

	45	48	54	60	66
48	DTW4548-5	DTW4848-5	DTW5448-5	DTW6048-5	DTW6648-5
	\$3,997.16	\$4,157.42	\$4,400.87	\$4,651.27	\$4,909.16
54	DTW4554-5	DTW4854-5	DTW5454-5	DTW6054-5	DTW6654-5
	\$4,009.16	\$4,168.75	\$4,409.69	\$4,657.68	\$4,913.29
60	DTW4560-5	DTW4860-5	DTW5460-5	DTW6060-5	DTW6660-5
	\$4,025.61	\$4,184.82	\$4,423.82	\$4,669.98	\$4,923.87
66	DTW4566-5	DTW4866-5	DTW5466-5	DTW6066-5	DTW6666-5
	\$4,049.31	\$4,208.61	\$4,446.61	\$4,691.89	\$4,945.00
72	DTW4572-5	DTW4872-5	DTW5472-5	DTW6072-5	DTW6672-5
	\$4,077.46	\$4,237.15	\$4,474.73	\$4,719.69	\$4,972.60

height

SIX TIER

width

	45	48	54	60	66
72	DTW4572-6	DTW4872-6	DTW5472-6	DTW6072-6	DTW6672-6
	\$4,877.58	\$5,099.05	\$5,527.57	\$5,869.97	\$6,227.68
78	DTW4578-6	DTW4878-6	DTW5478-6	DTW6078-6	DTW6678-6
	\$4,911.14	\$5,228.83	\$5,560.10	\$5,905.01	\$6,265.92
84	DTW4584-6	DTW4884-6	DTW5484-6	DTW6084-6	DTW6684-6
	\$5,034.02	\$5,261.75	\$5,595.06	\$5,942.68	\$6,434.30
90	DTW4590-6	DTW4890-6	DTW5490-6	DTW6090-6	DTW6690-6
	\$5,065.97	\$5,296.85	\$5,632.40	\$6,098.83	\$6,470.23

height

ROUND & SQUARE ETAGERE

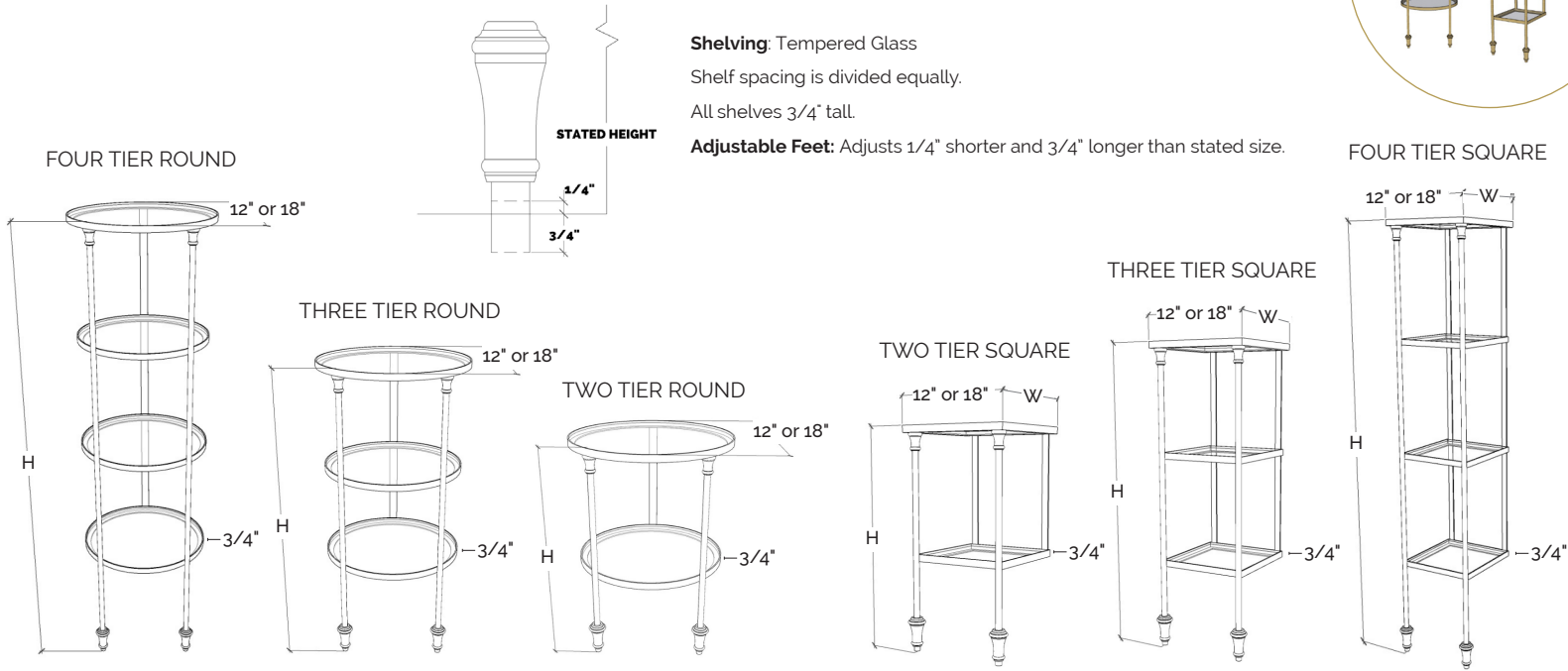


Shelving: Tempered Glass

Shelf spacing is divided equally.

All shelves 3/4" tall.

Adjustable Feet: Adjusts 1/4" shorter and 3/4" longer than stated size.



TWO TIER ROUND

height	width	
	12	18
18	ETR1218-2 \$1,234.94	ETR1818-2 \$1,606.93
21	ETR1221-2 \$1,246.11	ETR1821-2 \$1,618.97
24	ETR1224-2 \$1,257.45	ETR1824-2 \$1,631.20
27	ETR1227-2 \$1,268.95	ETR1827-2 \$1,643.63
30	ETR1230-2 \$1,280.63	ETR1830-2 \$1,656.27

THREE TIER ROUND

height	width	
	12	18
30	ETR1230-3 \$1,544.78	ETR1830-3 \$2,094.77
33	ETR1233-3 \$1,557.17	ETR1833-3 \$2,108.22
36	ETR1236-3 \$1,569.76	ETR1836-3 \$2,121.91
42	ETR1242-3 \$1,588.26	ETR1842-3 \$2,141.54
48	ETR1248-3 \$1,606.97	ETR1848-3 \$2,161.41

FOUR TIER ROUND

height	width	
	12	18
48	ETR1248-4 \$2,062.38	ETR1848-4 \$2,797.74
54	ETR1254-4 \$2,083.07	ETR1854-4 \$2,819.92
60	ETR1260-4 \$2,104.05	ETR1860-4 \$2,842.42
66	ETR1266-4 \$2,125.32	ETR1866-4 \$2,865.26
72	ETR1272-4 \$2,146.88	ETR1872-4 \$2,888.44

TWO TIER SQUARE

height	width	
	12	18
18	ETS1218-2 \$1,078.89	ETS1818-2 \$1,297.46
21	ETS1221-2 \$1,090.34	ETS1821-2 \$1,309.59
24	ETS1224-2 \$1,101.92	ETS1824-2 \$1,321.87
27	ETS1227-2 \$1,113.64	ETS1827-2 \$1,334.31
30	ETS1230-2 \$1,125.48	ETS1830-2 \$1,346.89

THREE TIER SQUARE

height	width	
	12	18
30	ETS1230-3 \$1,559.33	ETS1830-3 \$2,090.20
33	ETS1233-3 \$1,570.57	ETS1833-3 \$2,101.86
36	ETS1236-3 \$1,581.89	ETS1836-3 \$2,113.61
42	ETS1242-3 \$1,600.49	ETS1842-3 \$2,132.65
48	ETS1248-3 \$1,619.18	ETS1848-3 \$2,151.79

FOUR TIER SQUARE

height	width	
	12	18
48	ETS1248-4 \$1,829.31	ETS1848-4 \$2,542.26
54	ETS1254-4 \$1,849.95	ETS1854-4 \$2,563.90
60	ETS1260-4 \$1,870.78	ETS1860-4 \$2,585.75
66	ETS1266-4 \$1,891.81	ETS1866-4 \$2,607.83
72	ETS1272-4 \$1,913.03	ETS1872-4 \$2,630.14

CEILING MOUNT SHELF

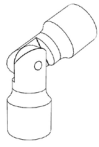
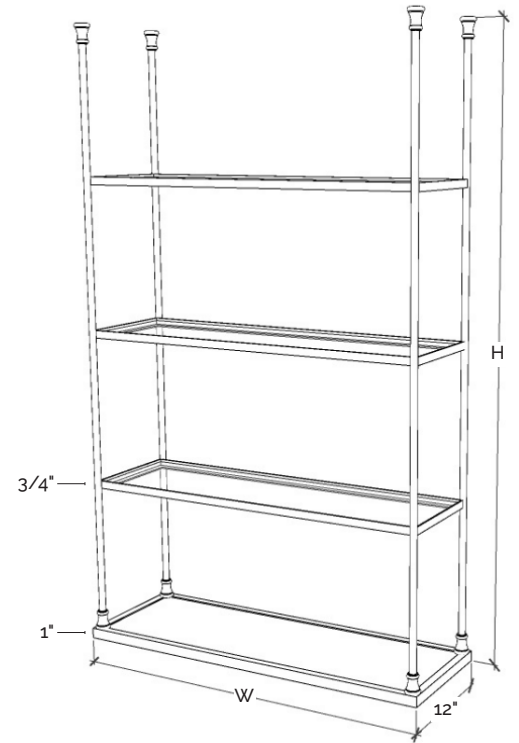
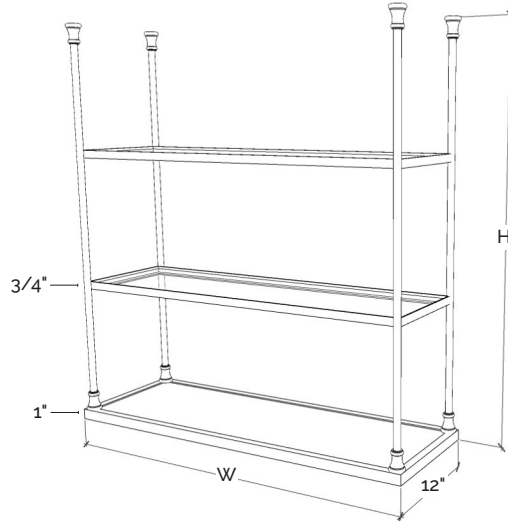
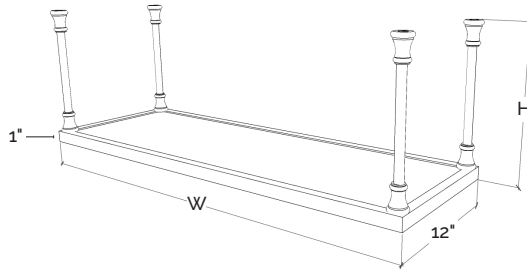
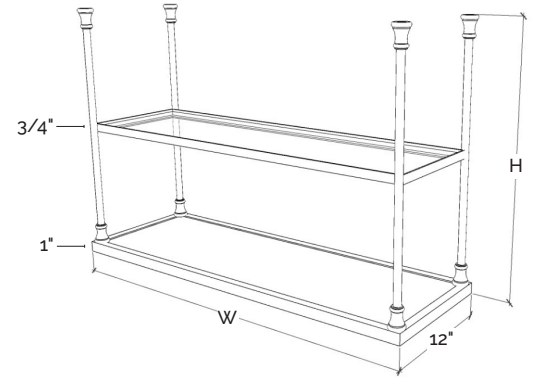
Base Shelf: Metal

Upper Shelving: Tempered Glass

Base shelf 1" tall, upper shelving 3/4" tall, shelf spacing divided equally.

For extended heights or alternate shelf spacing, contact sales@fittingscollection.com.

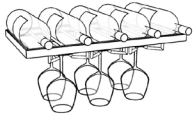
Adjustable Angle Joint available for any angled ceiling applications - see page 13. Mounting Flange optional - see page 38. Wine Rack and Stemware Inserts available - see page 39.



Adjustable Angle Joint - pg. 13



Optional Mounting Flange - pg. 38



Bottle & Stemware Inserts - pg. 39

ONE TIER

width

	9	12	15	18	21	27	27	30	33	36	39	42	
height	6	CMS96-1	CMS126-1	CMS156-1	CMS186-1	CMS216-1	CMS276-1	CMS276-1	CMS306-1	CMS336-1	CMS366-1	CMS396-1	CMS426-1
		\$893.95	\$917.64	\$942.28	\$967.97	\$994.78	\$1,052.15	\$1,052.15	\$1,082.92	\$1,115.24	\$1,149.23	\$1,185.02	\$1,222.78
	9	CMS99-1	CMS129-1	CMS159-1	CMS189-1	CMS219-1	CMS279-1	CMS279-1	CMS309-1	CMS339-1	CMS369-1	CMS399-1	CMS429-1
		\$905.78	\$929.70	\$954.59	\$980.55	\$1,007.66	\$1,065.70	\$1,065.70	\$1,096.84	\$1,129.56	\$1,163.99	\$1,200.26	\$1,238.53
	12	CMS912-1	CMS1212-1	CMS1512-1	CMS1812-1	CMS2112-1	CMS2712-1	CMS2712-1	CMS3012-1	CMS3312-1	CMS3612-1	CMS3912-1	CMS4212-1
		\$917.66	\$941.82	\$966.97	\$993.21	\$1,020.61	\$1,079.33	\$1,079.33	\$1,110.86	\$1,144.00	\$1,178.87	\$1,215.63	\$1,254.42
15	CMS915-1	CMS1215-1	CMS1515-1	CMS1815-1	CMS2115-1	CMS2715-1	CMS2715-1	CMS3015-1	CMS3315-1	CMS3615-1	CMS3915-1	CMS4215-1	
	\$929.60	\$954.00	\$979.42	\$1,005.94	\$1,033.65	\$1,093.06	\$1,093.06	\$1,124.98	\$1,158.54	\$1,193.87	\$1,231.12	\$1,270.45	

PRODUCT SPECIFICATIONS & PRICING

TWO TIER

width

	9	12	15	18	21	24	27	30	33	36	39	42		
height	18	CMS918-2	CMS1218-2	CMS1518-2	CMS1818-2	CMS2118-2	CMS2418-2	CMS2718-2	CMS3018-2	CMS3318-2	CMS3618-2	CMS3918-2	CMS4218-2	
		\$1,619.07	\$1,680.78	\$1,745.89	\$1,814.75	\$1,887.74	\$1,965.30	\$2,047.91	\$2,136.09	\$2,230.42	\$2,331.54	\$2,440.15	\$2,557.05	
		21	CMS921-2	CMS1221-2	CMS1521-2	CMS1821-2	CMS2121-2	CMS2421-2	CMS2721-2	CMS3021-2	CMS3321-2	CMS3621-2	CMS3921-2	CMS4221-2
		\$1,634.33	\$1,696.70	\$1,762.53	\$1,832.18	\$1,906.05	\$1,984.59	\$2,068.27	\$2,157.63	\$2,253.26	\$2,355.82	\$2,466.03	\$2,584.67	
		24	CMS924-2	CMS1224-2	CMS1524-2	CMS1824-2	CMS2124-2	CMS2424-2	CMS2724-2	CMS3024-2	CMS3324-2	CMS3624-2	CMS3924-2	CMS4224-2
		\$1,649.73	\$1,712.76	\$1,779.32	\$1,849.79	\$1,924.55	\$2,004.08	\$2,088.85	\$2,179.41	\$2,276.38	\$2,380.41	\$2,492.23	\$2,612.67	
		27	CMS927-2	CMS1227-2	CMS1527-2	CMS1827-2	CMS2127-2	CMS2427-2	CMS2727-2	CMS3027-2	CMS3327-2	CMS3627-2	CMS3927-2	CMS4227-2
		\$1,665.25	\$1,728.96	\$1,796.27	\$1,867.56	\$1,943.24	\$2,023.78	\$2,109.66	\$2,201.46	\$2,299.78	\$2,405.30	\$2,518.79	\$2,641.05	
		30	CMS930-2	CMS1230-2	CMS1530-2	CMS1830-2	CMS2130-2	CMS2430-2	CMS2730-2	CMS3030-2	CMS3330-2	CMS3630-2	CMS3930-2	CMS4230-2
		\$1,680.90	\$1,745.30	\$1,813.38	\$1,885.51	\$1,962.13	\$2,043.69	\$2,130.71	\$2,223.76	\$2,323.46	\$2,430.52	\$2,545.69	\$2,669.82	

THREE TIER

width

	9	12	15	18	21	24	27	30	33	36	39	42		
height	30	CMS930-3	CMS1230-3	CMS1530-3	CMS1830-3	CMS2130-3	CMS2430-3	CMS2730-3	CMS3030-3	CMS3330-3	CMS3630-3	CMS3930-3	CMS4230-3	
		\$1,911.31	\$1,997.84	\$2,088.81	\$2,184.70	\$2,286.05	\$2,393.47	\$2,507.62	\$2,629.24	\$2,759.15	\$2,898.26	\$3,047.58	\$3,208.23	
		33	CMS933-3	CMS1233-3	CMS1533-3	CMS1833-3	CMS2133-3	CMS2433-3	CMS2733-3	CMS3033-3	CMS3333-3	CMS3633-3	CMS3933-3	CMS4233-3
		\$1,925.82	\$2,012.96	\$2,104.60	\$2,201.24	\$2,303.42	\$2,411.76	\$2,526.93	\$2,649.68	\$2,780.84	\$2,921.35	\$3,072.21	\$3,234.58	
		36	CMS936-3	CMS1236-3	CMS1536-3	CMS1836-3	CMS2136-3	CMS2436-3	CMS2736-3	CMS3036-3	CMS3336-3	CMS3636-3	CMS3936-3	CMS4236-3
		\$1,940.42	\$2,028.17	\$2,120.49	\$2,217.89	\$2,320.91	\$2,430.18	\$2,546.39	\$2,670.29	\$2,802.73	\$2,944.65	\$3,097.08	\$3,261.20	
		39	CMS939-3	CMS1239-3	CMS1539-3	CMS1839-3	CMS2139-3	CMS2439-3	CMS2739-3	CMS3039-3	CMS3339-3	CMS3639-3	CMS3939-3	CMS4239-3
		\$1,955.10	\$2,043.48	\$2,136.49	\$2,234.66	\$2,338.53	\$2,448.75	\$2,566.01	\$2,691.07	\$2,824.81	\$2,968.16	\$3,122.19	\$3,288.07	
		42	CMS942-3	CMS1242-3	CMS1542-3	CMS1842-3	CMS2142-3	CMS2442-3	CMS2742-3	CMS3042-3	CMS3342-3	CMS3642-3	CMS3942-3	CMS4242-3
		\$1,969.86	\$2,058.88	\$2,152.59	\$2,251.54	\$2,356.28	\$2,467.46	\$2,585.78	\$2,712.03	\$2,847.08	\$2,991.89	\$3,147.54	\$3,315.22	
		45	CMS945-3	CMS1245-3	CMS1545-3	CMS1845-3	CMS2145-3	CMS2445-3	CMS2745-3	CMS3045-3	CMS3345-3	CMS3645-3	CMS3945-3	CMS4245-3
		\$1,984.72	\$2,074.37	\$2,168.80	\$2,268.54	\$2,374.16	\$2,486.32	\$2,605.72	\$2,733.17	\$2,869.55	\$3,015.84	\$3,173.14	\$3,342.64	
		48	CMS948-3	CMS1248-3	CMS1548-3	CMS1848-3	CMS2148-3	CMS2448-3	CMS2748-3	CMS3048-3	CMS3348-3	CMS3648-3	CMS3948-3	CMS4248-3
	\$1,999.66	\$2,089.96	\$2,185.12	\$2,285.66	\$2,392.17	\$2,505.32	\$2,625.82	\$2,754.49	\$2,892.23	\$3,040.02	\$3,198.98	\$3,370.33		

FOUR TIER

width

	9	12	15	18	21	24	27	30	33	36	39	42		
height	48	CMS948-4	CMS1248-4	CMS1548-4	CMS1848-4	CMS2148-4	CMS2448-4	CMS2748-4	CMS3048-4	CMS3348-4	CMS3648-4	CMS3948-4	CMS4248-4	
		\$2,219.69	\$2,332.86	\$2,451.23	\$2,575.34	\$2,705.78	\$2,843.23	\$2,988.40	\$3,142.10	\$3,305.22	\$3,478.74	\$3,663.74	\$3,861.41	
		54	CMS954-4	CMS1254-4	CMS1554-4	CMS1854-4	CMS2154-4	CMS2454-4	CMS2754-4	CMS3054-4	CMS3354-4	CMS3654-4	CMS3954-4	CMS4254-4
		\$2,247.29	\$2,361.46	\$2,480.93	\$2,606.26	\$2,738.05	\$2,876.98	\$3,023.79	\$3,179.30	\$3,344.42	\$3,520.14	\$3,707.58	\$3,907.94	
		60	CMS960-4	CMS1260-4	CMS1560-4	CMS1860-4	CMS2160-4	CMS2460-4	CMS2760-4	CMS3060-4	CMS3360-4	CMS3660-4	CMS3960-4	CMS4260-4
		\$2,275.09	\$2,390.27	\$2,510.87	\$2,637.43	\$2,770.60	\$2,911.04	\$3,059.52	\$3,216.88	\$3,384.04	\$3,562.01	\$3,751.93	\$3,955.04	
		66	CMS966-4	CMS1266-4	CMS1566-4	CMS1866-4	CMS2166-4	CMS2466-4	CMS2766-4	CMS3066-4	CMS3366-4	CMS3666-4	CMS3966-4	CMS4266-4
		\$2,303.07	\$2,419.30	\$2,541.04	\$2,668.88	\$2,803.44	\$2,945.43	\$3,095.61	\$3,254.85	\$3,424.09	\$3,604.36	\$3,796.82	\$4,002.72	
		72	CMS972-4	CMS1272-4	CMS1572-4	CMS1872-4	CMS2172-4	CMS2472-4	CMS2772-4	CMS3072-4	CMS3372-4	CMS3672-4	CMS3972-4	CMS4272-4
		\$2,331.26	\$2,448.55	\$2,571.46	\$2,700.59	\$2,836.58	\$2,980.14	\$3,132.07	\$3,293.23	\$3,464.58	\$3,647.20	\$3,842.24	\$4,051.00	

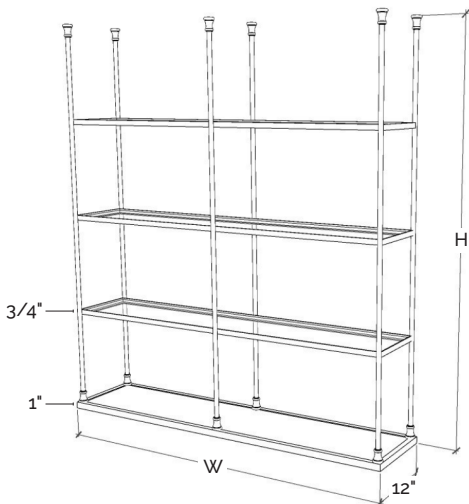
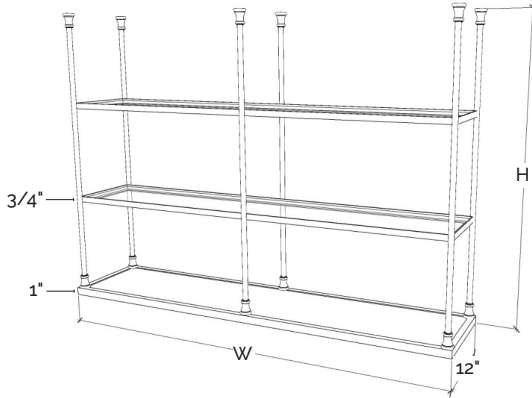
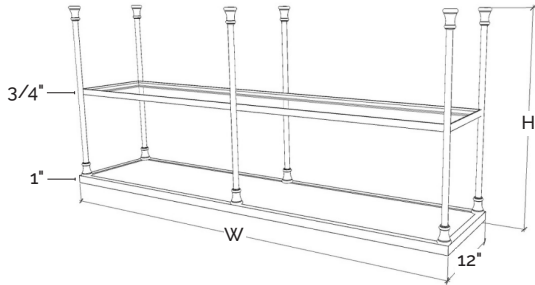
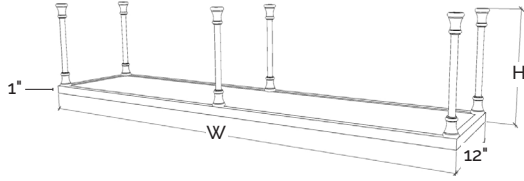
DOUBLE CEILING MOUNT SHELF



Base Shelf: Metal

Upper Shelving: Tempered Glass

Base shelf 1" tall, upper shelving 3/4" tall, shelf spacing divided equally. For extended heights or alternate shelf spacing, contact sales@fittingscollection.com.



ONE TIER

width

	48	54	60	66	72	78	84
6	DCMS486-1	DCMS546-1	DCMS606-1	DCMS666-1	DCMS726-1	DCMS786-1	DCMS846-1
	\$1,418.79	\$1,479.39	\$1,546.67	\$1,621.48	\$1,790.25	\$1,820.57	\$1,927.00
9	DCMS489-1	DCMS549-1	DCMS609-1	DCMS669-1	DCMS729-1	DCMS789-1	DCMS849-1
	\$1,445.03	\$1,507.22	\$1,576.30	\$1,653.13	\$1,738.69	\$1,857.76	\$1,967.16
12	DCMS4812-1	DCMS5412-1	DCMS6012-1	DCMS6612-1	DCMS7212-1	DCMS7812-1	DCMS8412-1
	\$1,471.64	\$1,535.48	\$1,606.42	\$1,685.34	\$1,773.24	\$1,895.66	\$2,008.13
15	DCMS4815-1	DCMS5415-1	DCMS6015-1	DCMS6615-1	DCMS7215-1	DCMS7815-1	DCMS8415-1
	\$1,498.65	\$1,564.19	\$1,637.03	\$1,718.10	\$1,808.42	\$1,934.29	\$2,049.91

height

TWO TIER

width

	48	54	60	66	72	78	84
18	DCMS4818-2	DCMS5418-2	DCMS6018-2	DCMS6618-2	DCMS7218-2	DCMS7818-2	DCMS8418-2
	\$2,743.25	\$2,844.63	\$2,949.57	\$3,058.36	\$3,171.29	\$3,288.69	\$3,410.89
21	DCMS4821-2	DCMS5421-2	DCMS6021-2	DCMS6621-2	DCMS7221-2	DCMS7821-2	DCMS8421-2
	\$2,765.72	\$2,867.79	\$2,973.48	\$3,083.07	\$3,196.87	\$3,315.19	\$3,438.40
24	DCMS4824-2	DCMS5424-2	DCMS6024-2	DCMS6624-2	DCMS7224-2	DCMS7824-2	DCMS8424-2
	\$2,788.32	\$2,891.09	\$2,997.54	\$3,107.94	\$3,222.62	\$3,341.90	\$3,466.12
27	DCMS4827-2	DCMS5427-2	DCMS6027-2	DCMS6627-2	DCMS7227-2	DCMS7827-2	DCMS8427-2
	\$2,811.05	\$2,914.54	\$3,021.75	\$3,132.99	\$3,248.56	\$3,368.80	\$3,494.06
30	DCMS4830-2	DCMS5430-2	DCMS6030-2	DCMS6630-2	DCMS7230-2	DCMS7830-2	DCMS8430-2
	\$2,833.93	\$2,938.13	\$3,046.13	\$3,158.21	\$3,274.69	\$3,395.90	\$3,522.21

height

THREE TIER

width

	48	54	60	66	72	78	84
30	DCMS4830-3	DCMS5430-3	DCMS6030-3	DCMS6630-3	DCMS7230-3	DCMS7830-3	DCMS8430-3
	\$3,231.25	\$3,361.80	\$3,494.88	\$3,630.64	\$3,769.24	\$3,910.84	\$4,055.61
33	DCMS4833-3	DCMS5433-3	DCMS6033-3	DCMS6633-3	DCMS7233-3	DCMS7833-3	DCMS8433-3
	\$3,250.92	\$3,381.82	\$3,515.27	\$3,651.43	\$3,790.45	\$3,932.49	\$4,077.73
36	DCMS4836-3	DCMS5436-3	DCMS6036-3	DCMS6636-3	DCMS7236-3	DCMS7836-3	DCMS8436-3
	\$3,270.64	\$3,401.90	\$3,535.73	\$3,672.28	\$3,811.72	\$3,954.21	\$4,099.92
39	DCMS4839-3	DCMS5439-3	DCMS6039-3	DCMS6639-3	DCMS7239-3	DCMS7839-3	DCMS8439-3
	\$3,290.41	\$3,422.02	\$3,556.24	\$3,693.19	\$3,833.06	\$3,976.00	\$4,122.18
42	DCMS4842-3	DCMS5442-3	DCMS6042-3	DCMS6642-3	DCMS7242-3	DCMS7842-3	DCMS8442-3
	\$3,310.23	\$3,442.21	\$3,576.80	\$3,714.16	\$3,854.46	\$3,997.85	\$4,144.51
45	DCMS4845-3	DCMS5445-3	DCMS6045-3	DCMS6645-3	DCMS7245-3	DCMS7845-3	DCMS8445-3
	\$3,330.10	\$3,462.44	\$3,597.42	\$3,735.19	\$3,875.92	\$4,019.77	\$4,166.92
48	DCMS4848-3	DCMS5448-3	DCMS6048-3	DCMS6648-3	DCMS7248-3	DCMS7848-3	DCMS8448-3
	\$3,350.02	\$3,482.73	\$3,618.10	\$3,756.28	\$3,897.45	\$4,041.75	\$4,189.39

height

FOUR TIER

width

	48	54	60	66	72	78	84
48	DCMS4848-4	DCMS5448-4	DCMS6048-4	DCMS6648-4	DCMS7248-4	DCMS7848-4	DCMS8448-4
	\$3,931.45	\$4,098.78	\$4,268.99	\$4,442.23	\$4,618.66	\$4,798.43	\$4,981.72
54	DCMS4854-4	DCMS5454-4	DCMS6054-4	DCMS6654-4	DCMS7254-4	DCMS7854-4	DCMS8454-4
	\$3,969.53	\$4,137.43	\$4,308.23	\$4,482.10	\$4,659.18	\$4,839.64	\$5,023.65
60	DCMS4860-4	DCMS5460-4	DCMS6060-4	DCMS6660-4	DCMS7260-4	DCMS7860-4	DCMS8460-4
	\$4,007.72	\$4,176.19	\$4,347.59	\$4,522.09	\$4,699.83	\$4,880.99	\$5,065.73
66	DCMS4866-4	DCMS5466-4	DCMS6066-4	DCMS6666-4	DCMS7266-4	DCMS7866-4	DCMS8466-4
	\$4,046.02	\$4,215.06	\$4,387.07	\$4,562.21	\$4,740.62	\$4,922.48	\$5,107.96

height

ROUND CEILING MOUNT SHELF



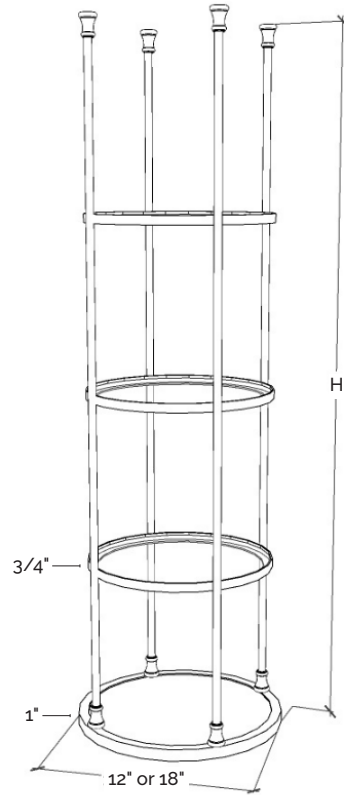
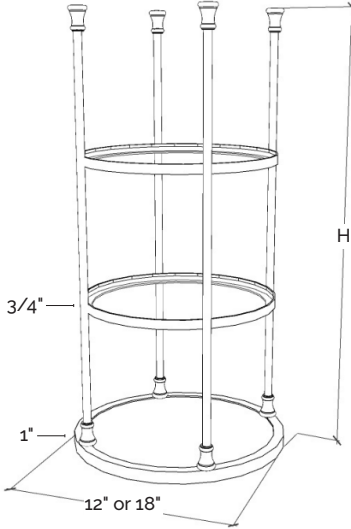
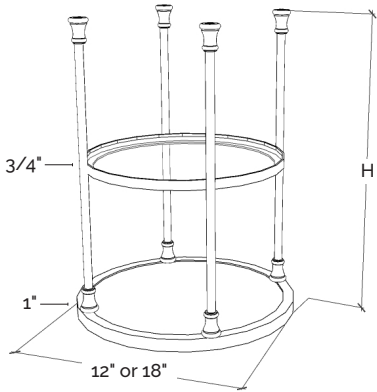
Base Shelf: Metal

Upper Shelving: Tempered Glass

Base shelf 1" tall, upper shelving 3/4" tall, shelf spacing divided equally. For extended heights or alternate shelf spacing, contact sales@fittingscollection.com.



← Adjustable Angle Joint available for any angled ceiling applications. See below.



TWO TIER

	12	18	
height	18	RCMS1218-2	RCMS1818-2
		\$1,087.76	\$1,374.09
	21	RCMS1221-2	RCMS1821-2
		\$1,118.96	\$1,415.99
	24	RCMS1224-2	RCMS1824-2
		\$1,151.98	\$1,460.57
27	RCMS1227-2	RCMS1827-2	
	\$1,186.98	\$1,508.05	
30	RCMS1230-2	RCMS1830-2	
	\$1,224.10	\$1,558.65	

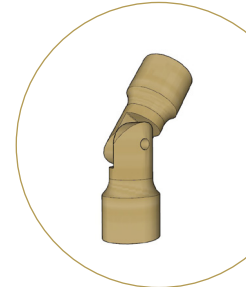
THREE TIER

	12	18	
height	30	RCMS1230-3	RCMS1830-3
		\$1,147.23	\$71,997.38
	33	RCMS1233-3	RCMS1833-3
		\$1,178.43	\$1,484.90
	36	RCMS1236-3	RCMS1836-3
		\$1,211.46	\$1,529.49
42	RCMS1242-3	RCMS1842-3	
	\$1,254.85	\$1,585.36	
48	RCMS1248-3	RCMS1848-3	
	\$1,300.37	\$1,644.36	

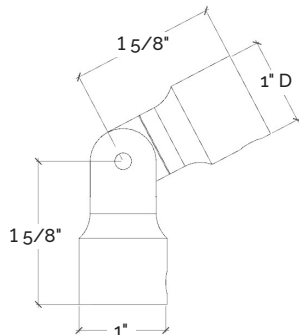
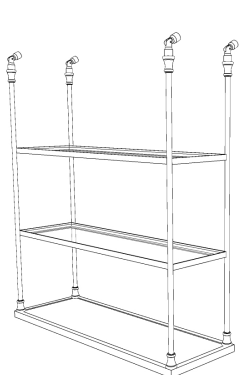
FOUR TIER

	12	18	
height	48	RCMS1248-4	RCMS1848-4
		\$1,223.51	\$1,528.72
	54	RCMS1254-4	RCMS1854-4
		\$1,263.11	\$1,579.02
	60	RCMS1260-4	RCMS1860-4
		\$1,304.53	\$1,632.00
66	RCMS1266-4	RCMS1866-4	
	\$1,347.93	\$1,687.87	
72	RCMS1272-4	RCMS1872-4	
	\$1,393.45	\$1,746.87	

ADJUSTABLE ANGLE JOINT

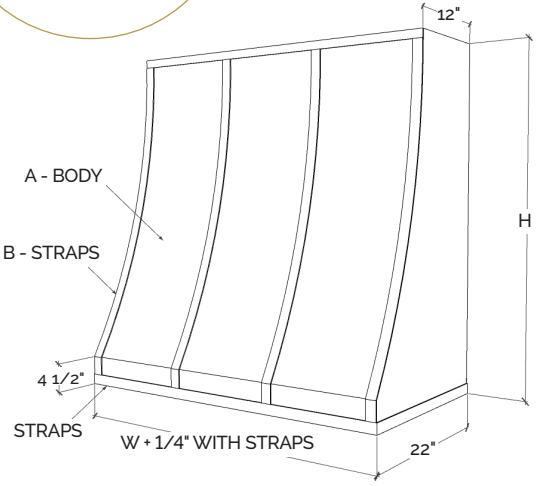
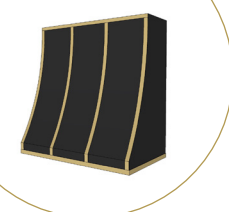


The Adjustable Angle Joint is designed for any of our ceiling mounted products that require installation on an angled ceiling. Sold individually per upright.



	AAJ
1" x 3.25"	\$39.00

RANGE HOOD | CLASSIC



Shagreen Finish Base Options: Platinum, Caviar, Espresso
 *15% upcharge for shagreen base. See page 47.

Must indicate the body (A) and strap (B) finish when ordering.

Side straps add 1/4" to overall dimension.

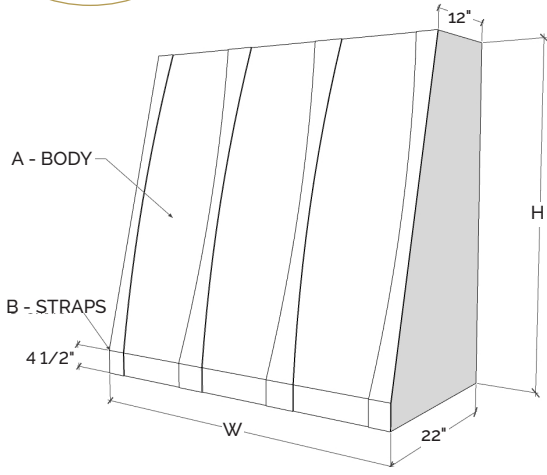
***Not all liners will fit our low-profile hood.** Please check the dimensions and indicate the insert model number or opening size needed when ordering.

BEST CP3 or CP5 Series exhaust hood offered. Contact sales@fittingscollection.com for pricing if interested.

width

	30	36	42	48	54	60	66	72
30	HD3030	HD3630	HD4230	HD4830	HD5430	HD6030	HD6630	HD7230
	\$4,133.33	\$4,205.71	\$4,279.30	\$4,354.12	\$4,430.21	\$4,507.63	\$4,586.40	\$4,666.55
36	HD3036	HD3636	HD4236	HD4836	HD5436	HD6036	HD6636	HD7236
	\$4,551.92	\$4,640.79	\$4,731.18	\$4,823.15	\$4,916.72	\$5,011.98	\$5,108.93	\$5,207.66
42	HD3042	HD3642	HD4242	HD4842	HD5442	HD6042	HD6642	HD7242
	\$5,065.60	\$5,173.82	\$5,283.96	\$5,396.09	\$5,510.27	\$5,626.56	\$5,745.02	\$5,865.72
48	HD3048	HD3648	HD4248	HD4848	HD5448	HD6048	HD6648	HD7248
	\$5,699.76	\$5,830.93	\$5,964.54	\$6,100.68	\$6,239.41	\$6,380.81	\$6,524.96	\$6,671.94
54	HD3054	HD3654	HD4254	HD4854	HD5454	HD6054	HD6654	HD7254
	\$6,486.52	\$6,645.22	\$6,807.02	\$6,972.02	\$7,140.30	\$7,311.96	\$7,487.12	\$7,665.87
60	HD3060	HD3660	HD4260	HD4860	HD5460	HD6060	HD6660	HD7260
	\$7,466.59	\$7,658.63	\$7,854.60	\$8,054.61	\$8,258.78	\$8,467.23	\$8,680.11	\$8,897.53

RANGE HOOD | MODERN



Shagreen Finish Options: Platinum, Caviar, Espresso
 *15% upcharge for shagreen base. See page 47.

Must indicate the body (A) and strap (B) finish when ordering.

***Not all liners will fit our low-profile hood.** Please check the dimensions and indicate the insert model number or opening size needed when ordering.

BEST CP3 or CP5 Series exhaust hood offered. Contact sales@fittingscollection.com for pricing if interested.

width

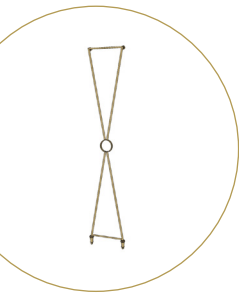
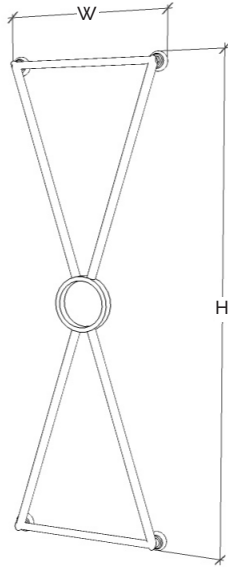
	30	36	42	48	54	60	66	72
30	HDM3030	HDM3630	HDM4230	HDM4830	HDM5430	HDM6030	HDM6630	HDM7230
	\$4,133.33	\$4,205.71	\$4,279.30	\$4,354.12	\$4,430.21	\$4,507.63	\$4,586.40	\$4,666.55
36	HDM3036	HDM3636	HDM4236	HDM4836	HDM5436	HDM6036	HDM6636	HDM7236
	\$4,551.92	\$4,640.79	\$4,731.18	\$4,823.15	\$4,916.72	\$5,011.98	\$5,108.93	\$5,207.66
42	HDM3042	HDM3642	HDM4242	HDM4842	HDM5442	HDM6042	HDM6642	HDM7242
	\$5,065.60	\$5,173.82	\$5,283.96	\$5,396.09	\$5,510.27	\$5,626.56	\$5,745.02	\$5,865.72
48	HDM3048	HDM3648	HDM4248	HDM4848	HDM5448	HDM6048	HDM6648	HDM7248
	\$5,699.76	\$5,830.93	\$5,964.54	\$6,100.68	\$6,239.41	\$6,380.81	\$6,524.96	\$6,671.94
54	HDM3054	HDM3654	HDM4254	HDM4854	HDM5454	HDM6054	HDM6654	HDM7254
	\$6,486.52	\$6,645.22	\$6,807.02	\$6,972.02	\$7,140.30	\$7,311.96	\$7,487.12	\$7,665.87
60	HDM3060	HDM3660	HDM4260	HDM4860	HDM5460	HDM6060	HDM6660	HDM7260
	\$7,466.59	\$7,658.63	\$7,854.60	\$8,054.61	\$8,258.78	\$8,467.23	\$8,680.11	\$8,897.53



WALL END CAP

Application: Designed to be applied to the end of upper cabinetry but also can be used as an applied decorative appliance panel.

Depth: 1 1/2"

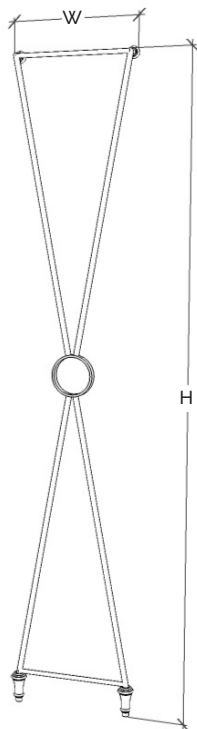
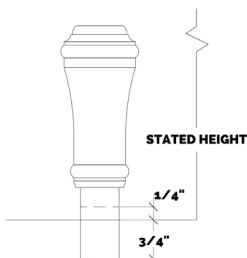


TALL END CAP

Application: Designed to add a special touch to tall end panels.

Adjustable Feet: Adjusts 1/4" shorter and 3/4" longer than stated size.

Depth: 1 1/2"



height

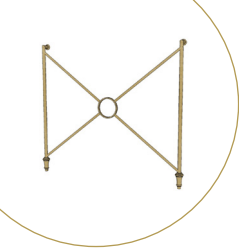
height

width

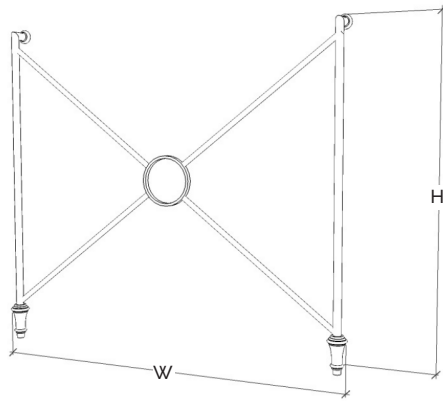
	9	12	15	18	21	24
18	WEC918	WEC1218	WEC1518	WEC1818	WEC2118	WEC2418
	\$854.55	\$912.51	\$980.51	\$1,060.17	\$1,153.51	\$1,262.92
21	WEC921	WEC1221	WEC1521	WEC1821	WEC2121	WEC2421
	\$861.26	\$919.49	\$987.82	\$1,067.94	\$1,161.88	\$1,272.08
24	WEC924	WEC1224	WEC1524	WEC1824	WEC2124	WEC2424
	\$868.07	\$926.62	\$995.34	\$1,075.96	\$1,170.55	\$1,281.56
27	WEC927	WEC1227	WEC1527	WEC1827	WEC2127	WEC2427
	\$874.96	\$933.88	\$1,003.04	\$1,084.20	\$1,179.45	\$1,291.30
30	WEC930	WEC1230	WEC1530	WEC1830	WEC2130	WEC2430
	\$881.92	\$941.24	\$1,010.87	\$1,092.60	\$1,188.56	\$1,301.28
33	WEC933	WEC1233	WEC1533	WEC1833	WEC2133	WEC2433
	\$888.93	\$948.68	\$1,018.81	\$1,101.15	\$1,197.84	\$1,311.46
36	WEC936	WEC1236	WEC1536	WEC1836	WEC2136	WEC2436
	\$895.99	\$956.19	\$1,026.86	\$1,109.82	\$1,207.28	\$1,321.82
39	WEC939	WEC1239	WEC1539	WEC1839	WEC2139	WEC2439
	\$903.09	\$963.77	\$1,034.98	\$1,118.61	\$1,216.85	\$1,332.34
42	WEC942	WEC1242	WEC1542	WEC1842	WEC2142	WEC2442
	\$910.24	\$971.40	\$1,043.19	\$1,127.49	\$1,226.54	\$1,343.00
45	WEC945	WEC1245	WEC1545	WEC1845	WEC2145	WEC2445
	\$917.42	\$979.09	\$1,051.47	\$1,136.46	\$1,236.35	\$1,353.80
48	WEC948	WEC1248	WEC1548	WEC1848	WEC2148	WEC2448
	\$924.65	\$986.83	\$1,059.81	\$1,145.52	\$1,246.26	\$1,364.73
54	WEC954	WEC1254	WEC1554	WEC1854	WEC2154	WEC2454
	\$936.07	\$998.73	\$1,072.28	\$1,158.66	\$1,260.20	\$1,379.62
60	WEC960	WEC1260	WEC1560	WEC1860	WEC2160	WEC2460
	\$947.53	\$1,010.71	\$1,084.85	\$1,171.94	\$1,274.30	\$1,394.73

width

	9	12	15	18	21	24
34.5	TEC934.5	TEC1234.5	TEC1534.5	TEC1834.5	TEC2134.5	TEC2434.5
	\$968.63	\$980.03	\$991.94	\$1,004.34	\$1,017.16	\$1,030.38
40.5	TEC940.5	TEC1240.5	TEC1540.5	TEC1840.5	TEC2140.5	TEC2440.5
	\$1,014.36	\$1,026.28	\$1,038.69	\$1,051.55	\$1,064.85	\$1,078.54
48	TEC948	TEC1248	TEC1548	TEC1848	TEC2148	TEC2448
	\$1,066.95	\$1,079.53	\$1,092.56	\$1,106.03	\$1,119.90	\$1,134.18
54	TEC954	TEC1254	TEC1554	TEC1854	TEC2154	TEC2454
	\$1,122.85	\$1,136.28	\$1,150.14	\$1,164.42	\$1,179.12	\$1,194.21
60	TEC960	TEC1260	TEC1560	TEC1860	TEC2160	TEC2460
	\$1,184.78	\$1,199.20	\$1,214.05	\$1,229.31	\$1,244.99	\$1,261.07
66	TEC966	TEC1266	TEC1566	TEC1866	TEC2166	TEC2466
	\$1,253.50	\$1,269.05	\$1,285.04	\$1,301.45	\$1,318.28	\$1,335.53
72	TEC972	TEC1272	TEC1572	TEC1872	TEC2172	TEC2472
	\$1,329.83	\$1,346.70	\$1,364.00	\$1,381.73	\$1,399.90	\$1,418.51
78	TEC978	TEC1278	TEC1578	TEC1878	TEC2178	TEC2478
	\$1,414.76	\$1,433.11	\$1,451.91	\$1,471.16	\$1,490.87	\$1,511.03
84	TEC984	TEC1284	TEC1584	TEC1884	TEC2184	TEC2484
	\$1,606.45	\$1,628.43	\$1,650.92	\$1,673.92	\$1,697.44	\$1,721.48
90	TEC990	TEC1290	TEC1590	TEC1890	TEC2190	TEC2490
	\$1,724.17	\$1,748.30	\$1,772.98	\$1,798.20	\$1,823.98	\$1,850.32



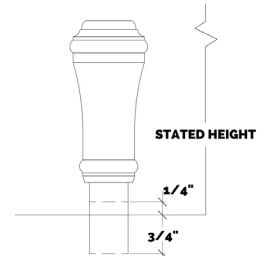
BASE END CAP



Application: Designed for use at the end of an island or at the end of a run of cabinets.

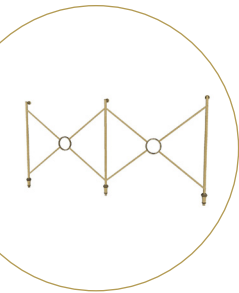
Adjustable Feet: Adjusts 1/4" shorter and 3/4" longer than stated size.

Depth: 1 1/2"

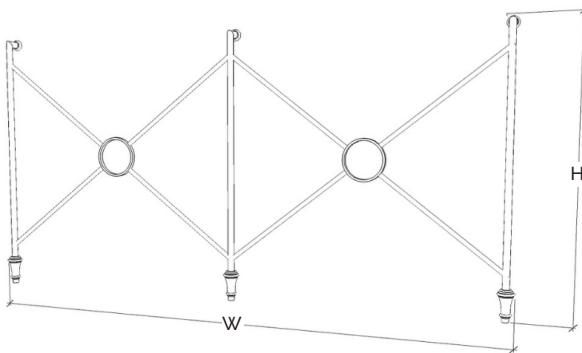


width

	12	15	18	21	24	27	30	33	36	39	42	
height	28	BEC1228	BEC1528	BEC1828	BEC2128	BEC2428	BEC2728	BEC3028	BEC3328	BEC3628	BEC3928	BEC4228
		\$1,044.23	\$1,055.55	\$1,067.54	\$1,080.13	\$1,093.25	\$1,106.88	\$1,120.97	\$1,135.50	\$1,150.47	\$1,448.29	\$1,515.50
	34	BEC1234	BEC1534	BEC1834	BEC2134	BEC2434	BEC2734	BEC3034	BEC3334	BEC3634	BEC3934	BEC4234
		\$1,154.86	\$1,168.60	\$1,183.06	\$1,198.20	\$1,213.98	\$1,230.39	\$1,247.38	\$1,264.95	\$1,283.08	\$1,482.19	\$1,551.06
	40	BEC1240	BEC1540	BEC1840	BEC2140	BEC2440	BEC2740	BEC3040	BEC3340	BEC3640	BEC3940	BEC4240
		\$1,294.36	\$1,311.49	\$1,329.41	\$1,348.12	\$1,367.58	\$1,387.78	\$1,408.71	\$1,430.36	\$1,452.72	\$1,517.47	\$1,588.05



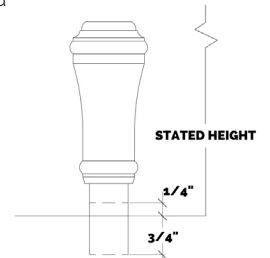
DOUBLE BASE END CAP



Application: Designed for use at the end of an island or at the end of a run of cabinets.

Adjustable Feet: Adjusts 1/4" shorter and 3/4" longer than stated size.

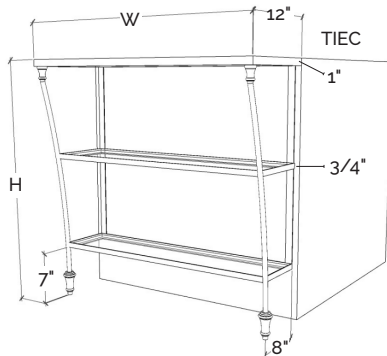
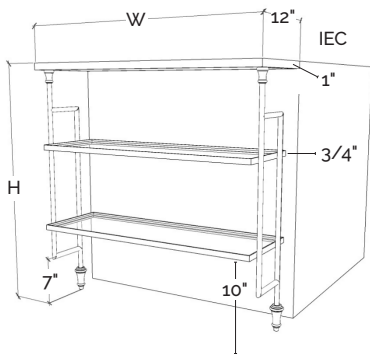
Depth: 1 1/2"



width

	39	42	48	54	60	66	72	78	84	90	
height	28	DBEC3928	DBEC4228	DBEC4828	DBEC5428	DBEC6028	DBEC6628	DBEC7228	DBEC7828	DBEC8428	DBEC9028
		\$1,467.05	\$1,501.93	\$1,546.09	\$1,592.12	\$1,640.02	\$1,689.84	\$1,741.61	\$2,595.23	\$2,874.73	\$3,199.79
	34	DBEC3934	DBEC4234	DBEC4834	DBEC5434	DBEC6034	DBEC6634	DBEC7234	DBEC7834	DBEC8434	DBEC9034
		\$1,715.01	\$1,761.61	\$1,817.80	\$1,876.70	\$1,938.35	\$2,002.77	\$2,070.05	\$2,696.59	\$2,990.12	\$3,331.77
	40	DBEC3940	DBEC4240	DBEC4840	DBEC5440	DBEC6040	DBEC6640	DBEC7240	DBEC7840	DBEC8440	DBEC9040
		\$2,065.43	\$2,129.25	\$2,203.24	\$2,281.10	\$2,362.88	\$2,448.68	\$2,538.62	\$2,803.61	\$3,111.92	\$3,471.02

ISLAND END CAP



Shelving: Tempered Glass
Top rail 1" tall, shelving 3/4" tall

Application: Designed for an island or base end piece.

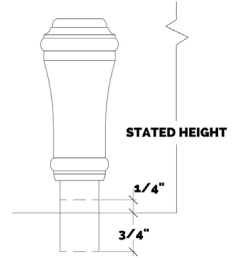
Adjustable Feet: Adjusts 1/4" shorter and 3/4" longer than stated size.

Shelf Spacing: IEC: Height minus 10" equally divided.
TIEC: Height minus 7" equally divided.

ISLAND END CAP

width

	18	21	24	27	30	33	36	39	42
height	34.5	34.5	34.5	34.5	34.5	34.5	34.5	34.5	34.5
	IEC1834.5	IEC2134.5	IEC2434.5	IEC2734.5	IEC3034.5	IEC3334.5	IEC3634.5	IEC3934.5	IEC4234.5
	\$1,751.41	\$1,828.13	\$1,907.49	\$1,989.70	\$2,074.97	\$2,163.56	\$2,255.72	\$2,351.75	\$2,451.95
	40.5	40.5	40.5	40.5	40.5	40.5	40.5	40.5	40.5
	IEC1840.5	IEC2140.5	IEC2440.5	IEC2740.5	IEC3040.5	IEC3340.5	IEC3640.5	IEC3940.5	IEC4240.5
	\$1,784.46	\$1,862.48	\$1,943.23	\$2,026.94	\$2,113.84	\$2,204.18	\$2,298.24	\$2,396.31	\$2,498.72

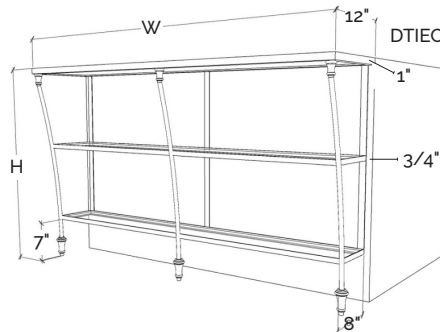
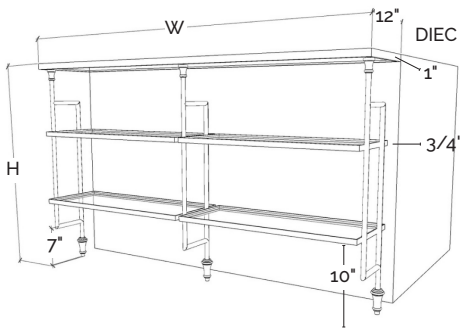
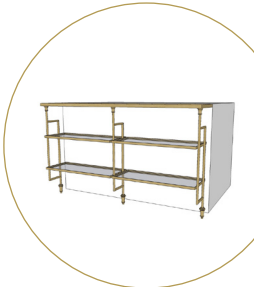


TAPERED ISLAND END CAP

width

	18	21	24	27	30	33	36	39	42
height	34.5	34.5	34.5	34.5	34.5	34.5	34.5	34.5	34.5
	TIEC1834.5	TIEC2134.5	TIEC2434.5	TIEC2734.5	TIEC3034.5	TIEC3334.5	TIEC3634.5	TIEC3934.5	TIEC4234.5
	\$1,645.29	\$1,708.60	\$1,774.54	\$1,843.33	\$1,915.19	\$1,990.36	\$2,069.12	\$2,151.73	\$2,238.52
	40.5	40.5	40.5	40.5	40.5	40.5	40.5	40.5	40.5
	TIEC1840.5	TIEC2140.5	TIEC2440.5	TIEC2740.5	TIEC3040.5	TIEC3340.5	TIEC3640.5	TIEC3940.5	TIEC4240.5
	\$1,675.38	\$1,739.89	\$1,807.14	\$1,877.34	\$1,950.73	\$2,027.57	\$2,108.13	\$2,192.69	\$2,281.59

DOUBLE ISLAND END CAP



Shelving: Tempered Glass
Top apron 1" tall, shelving 3/4" tall

Application: Designed for an island or base end piece.

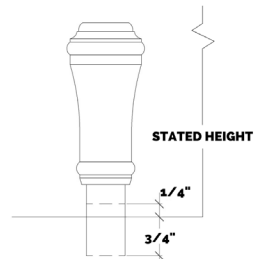
Adjustable Feet: Adjusts 1/4" shorter and 3/4" longer than stated size.

Shelf Spacing: IEC: Height minus 10" equally divided.
TIEC: Height minus 7" equally divided.

DOUBLE ISLAND END CAP

width

	45	48	54	60	72	78	84
height	34.5	34.5	34.5	34.5	34.5	34.5	34.5
	DIEC4534.5	DIEC4834.5	DIEC5434.5	DIEC6034.5	DIEC7234.5	DIEC7834.5	DIEC8434.5
	\$2,849.51	\$3,018.94	\$3,251.99	\$3,508.26	\$4,105.90	\$4,456.59	\$4,849.31
	40.5	40.5	40.5	40.5	40.5	40.5	40.5
	DIEC4540.5	DIEC4840.5	DIEC5440.5	DIEC6040.5	DIEC7240.5	DIEC7840.5	DIEC8440.5
	\$2,935.31	\$3,114.38	\$3,358.61	\$3,627.84	\$4,257.98	\$4,628.90	\$5,045.11



DOUBLE TAPERED ISLAND END CAP

width

	45	48	54	60	72	78	84
height	34.5	34.5	34.5	34.5	34.5	34.5	34.5
	DTIEC4534.5	DTIEC4834.5	DTIEC5434.5	DTIEC6034.5	DTIEC7234.5	DTIEC7834.5	DTIEC8434.5
	\$2,619.64	\$2,775.65	\$2,981.87	\$3,211.31	\$3,755.30	\$4,079.16	\$4,445.06
	40.5	40.5	40.5	40.5	40.5	40.5	40.5
	DTIEC4540.5	DTIEC4840.5	DTIEC5440.5	DTIEC6040.5	DTIEC7240.5	DTIEC7840.5	DTIEC8440.5
	\$2,700.45	\$2,866.02	\$3,083.23	\$3,325.46	\$3,901.57	\$4,245.48	\$4,634.68

CROSS TABLE EXTENSION



Application: Designed to be added to the end of an island to create extra length and alternative seating.

Top apron 1" tall.

Adjustable Feet: Adjusts 1/4" shorter and 3/4" longer than stated size.

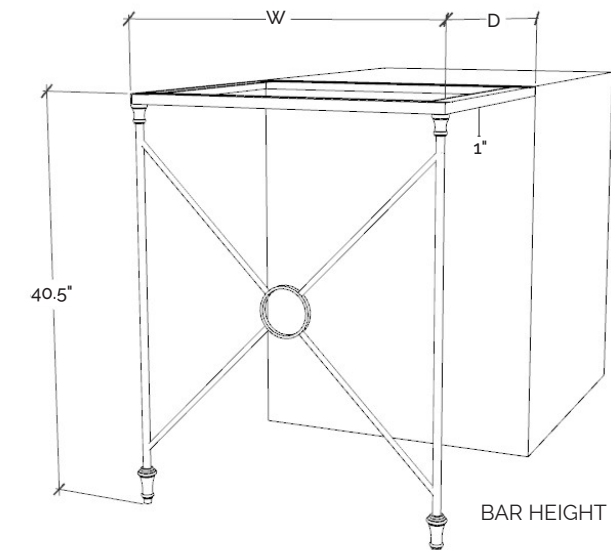
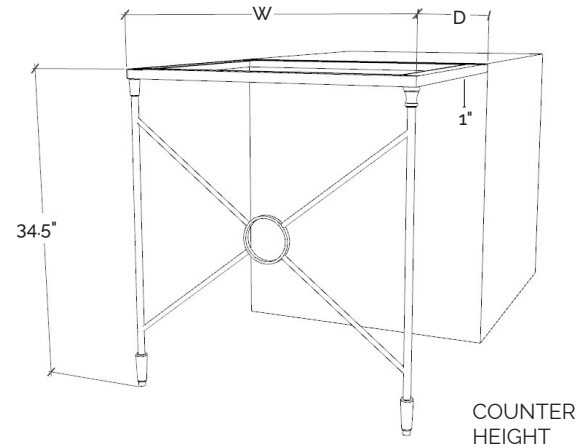
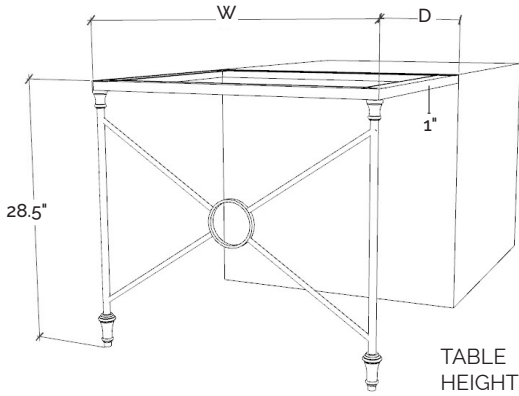


TABLE HEIGHT: 28.5"

width

	21	24	27	30	33	36
24	CTE2124-T	CTE2424-T	CTE2724-T	CTE3024-T	CTE3324-T	CTE3624-T
	\$1,356.44	\$1,379.41	\$1,403.08	\$1,427.40	\$1,452.38	\$1,477.99
30	CTE2130-T	CTE2430-T	CTE2730-T	CTE3030-T	CTE3330-T	CTE3630-T
	\$1,489.19	\$1,515.93	\$1,543.47	\$1,571.79	\$1,600.88	\$1,630.73
36	CTE2136-T	CTE2436-T	CTE2736-T	CTE3036-T	CTE3336-T	CTE3636-T
	\$1,650.80	\$1,682.17	\$1,714.48	\$1,747.72	\$1,781.87	\$1,816.93
42	CTE2142-T	CTE2442-T	CTE2742-T	CTE3042-T	CTE3342-T	CTE3642-T
	\$1,847.90	\$1,884.97	\$1,923.15	\$1,962.43	\$2,002.80	\$2,044.28
48	CTE2148-T	CTE2448-T	CTE2748-T	CTE3048-T	CTE3348-T	CTE3648-T
	\$2,088.65	\$2,132.73	\$2,178.12	\$2,224.84	\$2,272.87	\$2,322.24

depth

COUNTER HEIGHT: 34.5"

width

	21	24	27	30	33	36
24	CTE2124-C	CTE2424-C	CTE2724-C	CTE3024-C	CTE3324-C	CTE3624-C
	\$1,371.95	\$1,394.51	\$1,417.78	\$1,441.74	\$1,466.39	\$1,491.70
30	CTE2130-C	CTE2430-C	CTE2730-C	CTE3030-C	CTE3330-C	CTE3630-C
	\$1,504.69	\$1,531.02	\$1,558.17	\$1,586.13	\$1,614.89	\$1,644.44
36	CTE2136-C	CTE2436-C	CTE2736-C	CTE3036-C	CTE3336-C	CTE3636-C
	\$1,666.30	\$1,697.26	\$1,729.18	\$1,762.06	\$1,795.88	\$1,830.64
42	CTE2142-C	CTE2442-C	CTE2742-C	CTE3042-C	CTE3342-C	CTE3642-C
	\$1,863.40	\$1,900.06	\$1,937.85	\$1,976.77	\$2,016.82	\$2,057.99
48	CTE2148-C	CTE2448-C	CTE2748-C	CTE3048-C	CTE3348-C	CTE3648-C
	\$2,104.16	\$2,147.82	\$2,192.83	\$2,239.18	\$2,286.88	\$2,335.95

depth

BAR HEIGHT: 40.5"

width

	21	24	27	30	33	36
24	CTE2124-B	CTE2424-B	CTE2724-B	CTE3024-B	CTE3324-B	CTE3624-B
	\$1,414.53	\$1,437.54	\$1,461.30	\$1,485.79	\$1,510.99	\$1,536.91
30	CTE2130-B	CTE2430-B	CTE2730-B	CTE3030-B	CTE3330-B	CTE3630-B
	\$1,553.37	\$1,580.34	\$1,608.16	\$1,636.84	\$1,666.36	\$1,696.72
36	CTE2136-B	CTE2436-B	CTE2736-B	CTE3036-B	CTE3336-B	CTE3636-B
	\$1,722.48	\$1,754.30	\$1,787.13	\$1,820.96	\$1,855.79	\$1,891.62
42	CTE2142-B	CTE2442-B	CTE2742-B	CTE3042-B	CTE3342-B	CTE3642-B
	\$1,928.80	\$1,966.60	\$2,005.58	\$2,045.75	\$2,087.10	\$2,129.65
48	CTE2148-B	CTE2448-B	CTE2748-B	CTE3048-B	CTE3348-B	CTE3648-B
	\$2,180.90	\$2,226.04	\$2,272.59	\$2,320.55	\$2,369.94	\$2,420.76

depth

OPEN TABLE EXTENSION



TABLE HEIGHT: 28.5"

width

depth

	21	24	27	30	33	36
24	OTE2124-T	OTE2424-T	OTE2724-T	OTE3024-T	OTE3324-T	OTE3624-T
	\$1,247.04	\$1,266.55	\$1,286.53	\$1,307.01	\$1,327.99	\$1,349.49
30	OTE2130-T	OTE2430-T	OTE2730-T	OTE3030-T	OTE3330-T	OTE3630-T
	\$1,357.13	\$1,379.73	\$1,402.89	\$1,426.64	\$1,451.00	\$1,475.98
36	OTE2136-T	OTE2436-T	OTE2736-T	OTE3036-T	OTE3336-T	OTE3636-T
	\$1,487.20	\$1,513.48	\$1,540.44	\$1,568.10	\$1,596.48	\$1,625.61
42	OTE2142-T	OTE2442-T	OTE2742-T	OTE3042-T	OTE3342-T	OTE3642-T
	\$1,641.10	\$1,671.78	\$1,703.28	\$1,735.61	\$1,768.80	\$1,802.88
48	OTE2148-T	OTE2448-T	OTE2748-T	OTE3048-T	OTE3348-T	OTE3648-T
	\$1,823.48	\$1,859.41	\$1,896.32	\$1,934.23	\$1,973.16	\$2,013.16

Application: Designed to be added to the end of an island to create extra length and alternative seating.

Top apron 1" tall

Adjustable Feet: Adjusts 1/4" shorter and 3/4" longer than stated size.

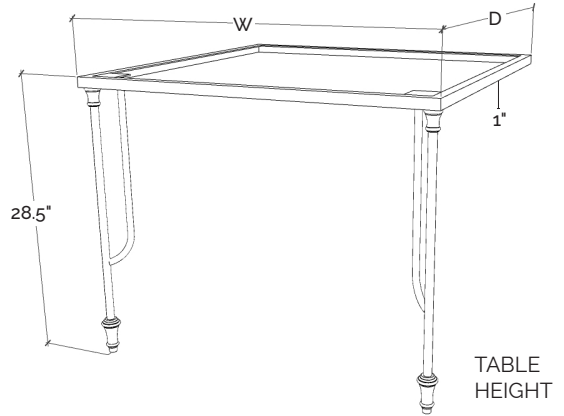


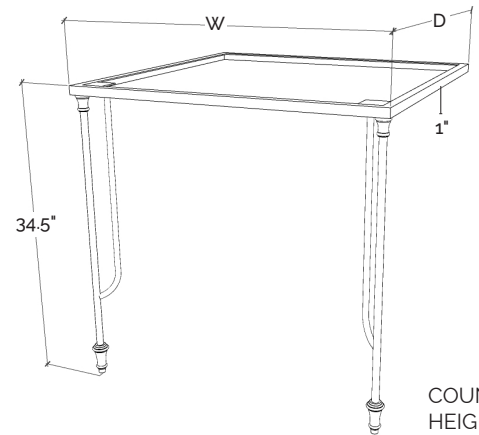
TABLE HEIGHT

COUNTER HEIGHT: 34.5"

width

depth

	21	24	27	30	33	36
24	OTE2124-C	OTE2424-C	OTE2724-C	OTE3024-C	OTE3324-C	OTE3624-C
	\$1,264.44	\$1,283.95	\$1,303.93	\$1,324.41	\$1,345.39	\$1,366.89
30	OTE2130-C	OTE2430-C	OTE2730-C	OTE3030-C	OTE3330-C	OTE3630-C
	\$1,374.53	\$1,397.13	\$1,420.29	\$1,444.04	\$1,468.40	\$1,493.38
36	OTE2136-C	OTE2436-C	OTE2736-C	OTE3036-C	OTE3336-C	OTE3636-C
	\$1,504.60	\$1,530.88	\$1,557.84	\$1,585.50	\$1,613.88	\$1,643.01
42	OTE2142-C	OTE2442-C	OTE2742-C	OTE3042-C	OTE3342-C	OTE3642-C
	\$1,658.50	\$1,689.18	\$1,720.68	\$1,753.01	\$1,786.20	\$1,820.28
48	OTE2148-C	OTE2448-C	OTE2748-C	OTE3048-C	OTE3348-C	OTE3648-C
	\$1,840.88	\$1,876.81	\$1,913.72	\$1,951.63	\$1,990.56	\$2,030.56



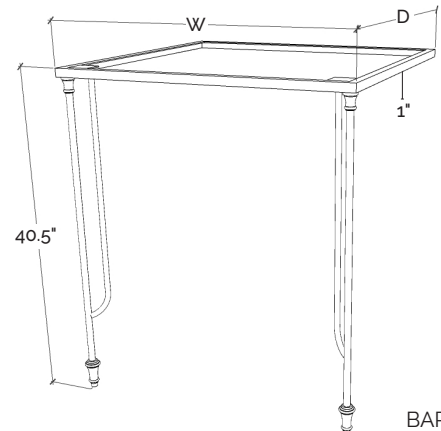
COUNTER HEIGHT

BAR HEIGHT: 40.5"

width

depth

	21	24	27	30	33	36
24	OTE2124-B	OTE2424-B	OTE2724-B	OTE3024-B	OTE3324-B	OTE3624-B
	\$1,281.84	\$1,301.35	\$1,321.33	\$1,341.81	\$1,362.79	\$1,384.29
30	OTE2130-B	OTE2430-B	OTE2730-B	OTE3030-B	OTE3330-B	OTE3630-B
	\$1,391.93	\$1,414.53	\$1,437.69	\$1,461.44	\$1,485.80	\$1,510.78
36	OTE2136-B	OTE2436-B	OTE2736-B	OTE3036-B	OTE3336-B	OTE3636-B
	\$1,522.00	\$1,548.28	\$1,575.24	\$1,602.90	\$1,631.28	\$1,660.41
42	OTE2142-B	OTE2442-B	OTE2742-B	OTE3042-B	OTE3342-B	OTE3642-B
	\$1,675.90	\$1,706.58	\$1,738.08	\$1,770.41	\$1,803.60	\$1,837.68
48	OTE2148-B	OTE2448-B	OTE2748-B	OTE3048-B	OTE3348-B	OTE3648-B
	\$1,858.28	\$1,894.21	\$1,931.12	\$1,969.03	\$2,007.96	\$2,047.96



BAR HEIGHT

SOLO TABLE EXTENSION

Application: Designed to be added to the end of an island to create extra length and alternative seating.

Provided floor mounted bushing required for stability.

Top apron 1" tall.

Adjustable Feet: Adjusts 1/4" shorter and 3/4" longer than stated size.

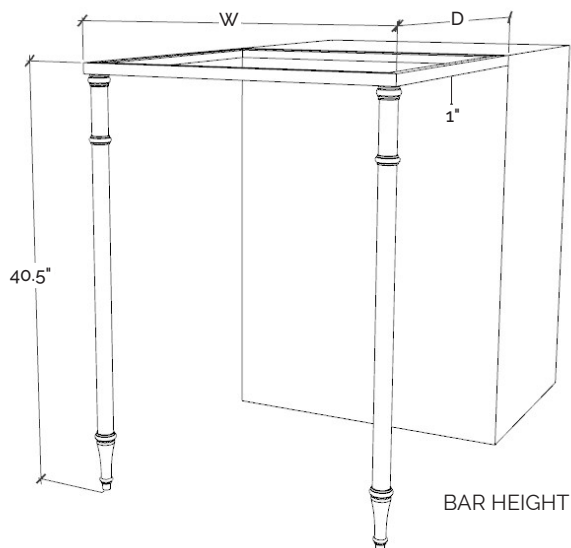
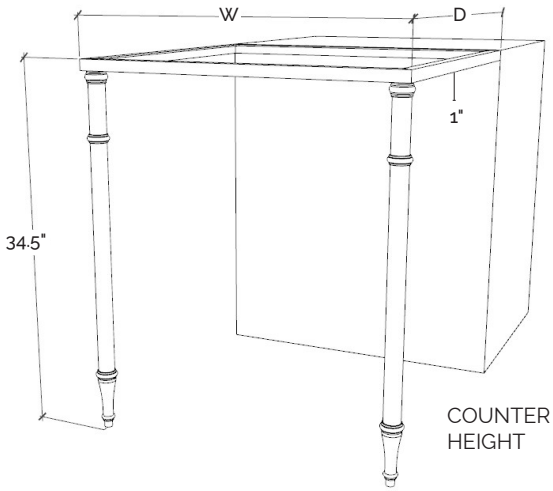
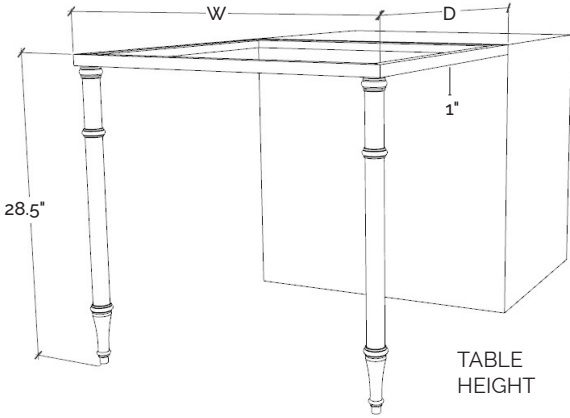


TABLE HEIGHT: 28.5"

width

	21	24	27	30	33	36
24	STE2124-T	STE2424-T	STE2724-T	STE3024-T	STE3324-T	STE3624-T
	\$962.88	\$989.28	\$1,017.50	\$1,047.69	\$1,080.01	\$1,114.63
30	STE2130-T	STE2430-T	STE2730-T	STE3030-T	STE3330-T	STE3630-T
	\$1,137.33	\$1,177.11	\$1,219.79	\$1,265.59	\$1,314.77	\$1,367.59
36	STE2136-T	STE2436-T	STE2736-T	STE3036-T	STE3336-T	STE3636-T
	\$1,409.95	\$1,470.97	\$1,536.58	\$1,607.14	\$1,683.07	\$1,764.78
42	STE2142-T	STE2442-T	STE2742-T	STE3042-T	STE3342-T	STE3642-T
	\$1,838.34	\$1,933.05	\$2,035.05	\$2,144.92	\$2,263.29	\$2,390.84
48	STE2148-T	STE2448-T	STE2748-T	STE3048-T	STE3348-T	STE3648-T
	\$2,513.91	\$2,662.09	\$2,821.84	\$2,994.07	\$3,179.80	\$3,380.10

depth

COUNTER HEIGHT: 34.5"

width

	21	24	27	30	33	36
24	STE2124-C	STE2424-C	STE2724-C	STE3024-C	STE3324-C	STE3624-C
	\$973.08	\$999.48	\$1,027.70	\$1,057.89	\$1,090.21	\$1,124.83
30	STE2130-C	STE2430-C	STE2730-C	STE3030-C	STE3330-C	STE3630-C
	\$1,147.53	\$1,187.31	\$1,229.99	\$1,275.79	\$1,324.97	\$1,377.79
36	STE2136-C	STE2436-C	STE2736-C	STE3036-C	STE3336-C	STE3636-C
	\$1,420.15	\$1,481.17	\$1,546.78	\$1,617.34	\$1,693.27	\$1,774.98
42	STE2142-C	STE2442-C	STE2742-C	STE3042-C	STE3342-C	STE3642-C
	\$1,848.54	\$1,943.25	\$2,045.25	\$2,155.12	\$2,273.49	\$2,401.04
48	STE2148-C	STE2448-C	STE2748-C	STE3048-C	STE3348-C	STE3648-C
	\$2,524.11	\$2,672.29	\$2,832.04	\$3,004.27	\$3,190.00	\$3,390.30

BAR HEIGHT: 40.5"

width

	21	24	27	30	33	36
24	STE2124-B	STE2424-B	STE2724-B	STE3024-B	STE3324-B	STE3624-B
	\$922.50	\$948.90	\$977.12	\$1,007.32	\$1,039.64	\$1,074.26
30	STE2130-B	STE2430-B	STE2730-B	STE3030-B	STE3330-B	STE3630-B
	\$1,096.96	\$1,136.74	\$1,179.42	\$1,225.22	\$1,274.39	\$1,327.22
36	STE2136-B	STE2436-B	STE2736-B	STE3036-B	STE3336-B	STE3636-B
	\$1,369.58	\$1,430.59	\$1,496.20	\$1,566.77	\$1,642.69	\$1,724.41
42	STE2142-B	STE2442-B	STE2742-B	STE3042-B	STE3342-B	STE3642-B
	\$1,797.97	\$1,892.67	\$1,994.67	\$2,104.54	\$2,222.91	\$2,350.47
48	STE2148-B	STE2448-B	STE2748-B	STE3048-B	STE3348-B	STE3648-B
	\$2,473.54	\$2,621.72	\$2,781.46	\$2,953.70	\$3,139.43	\$3,339.72

depth



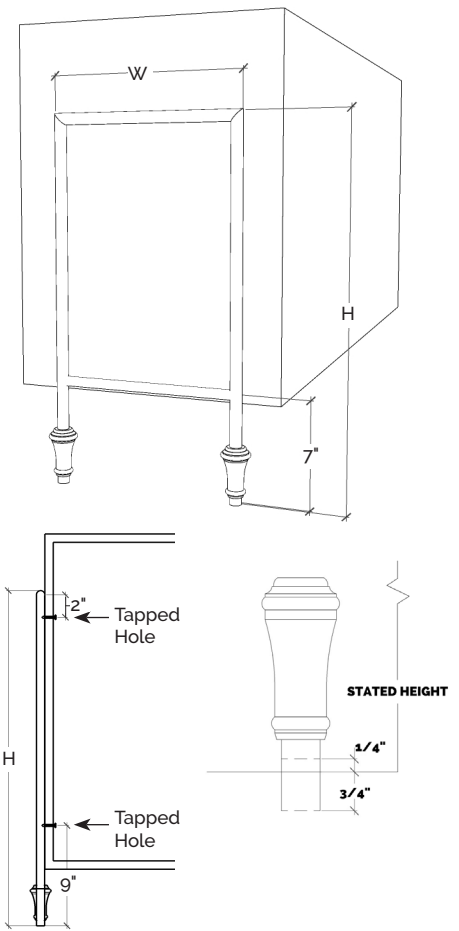
TANDEM LEG

Adjustable Feet: Adjusts 1/4" shorter and 3/4" longer than stated size.

*Legs sold individually.

	width						
	6.75	12	15	18	21	24	27
18	OLT6.7518	OLT1218	OLT1518	OLT1818	OLT2118	OLT2418	OLT2718
	\$496.13	\$506.91	\$514.61	\$522.38	\$530.23	\$538.15	\$546.14
24	OLT6.7524	OLT1224	OLT1524	OLT1824	OLT2124	OLT2424	OLT2724
	\$534.60	\$545.97	\$554.28	\$562.66	\$571.13	\$579.69	\$588.33
30	OLT6.7530	OLT1230	OLT1530	OLT1830	OLT2130	OLT2430	OLT2730
	\$573.51	\$585.48	\$594.40	\$603.40	\$612.51	\$621.71	\$631.01
36	OLT6.7536	OLT1236	OLT1536	OLT1836	OLT2136	OLT2436	OLT2736
	\$616.87	\$629.53	\$639.14	\$648.87	\$658.70	\$668.65	\$678.71
42	OLT6.7542	OLT1242	OLT1542	OLT1842	OLT2142	OLT2442	OLT2742
	\$665.34	\$678.79	\$689.21	\$699.75	\$710.42	\$721.22	\$732.16
48	OLT6.7548	OLT1248	OLT1548	OLT1848	OLT2148	OLT2448	OLT2748
	\$719.67	\$734.03	\$745.37	\$756.86	\$768.50	\$780.28	\$792.21
54	OLT6.7554	OLT1254	OLT1554	OLT1854	OLT2154	OLT2454	OLT2754
	\$780.75	\$796.15	\$808.55	\$821.13	\$833.87	\$846.77	\$859.86
60	OLT6.7560	OLT1260	OLT1560	OLT1860	OLT2160	OLT2460	OLT2760
	\$849.57	\$866.16	\$879.79	\$893.61	\$897.81	\$911.82	\$926.02

height



SOLO LEG

Adjustable Feet: Adjusts 1/4" shorter and 3/4" longer than stated size.

Provided floor mounted bushing required for stability.

*Legs sold individually.

**Only available in the classic adjustable foot.

TABLE HEIGHT

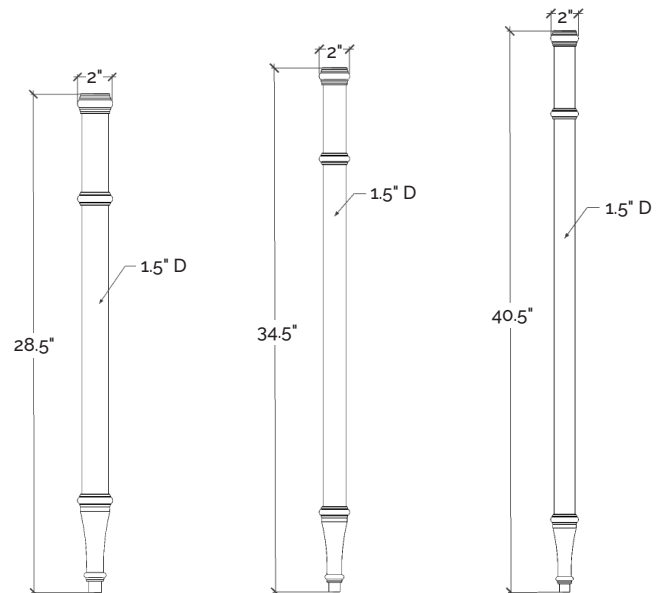
28.5	SL28.5
	\$495.86

COUNTER HEIGHT

34.5	SL34.5
	\$515.63

BAR HEIGHT

40.5	SL40.5
	\$545.36





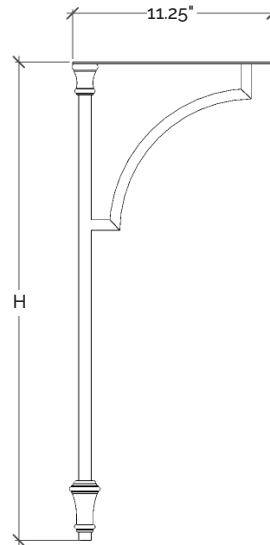
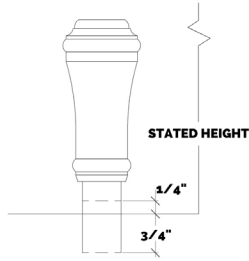
CLASSIC LEG - LONG

Adjustable Feet: Adjusts 1/4" shorter and 3/4" longer than stated size.

Provided floor mounted bushing required for stability.

*Legs sold individually.

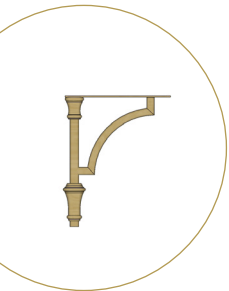
**Not recommended for freestanding furniture.



LONG

width

height	width	Product Code	Price
	11		
22.5		OLL22.5	\$466.91
25.5		OLL25.5	\$474.02
28.5		OLL28.5	\$481.27
31.5		OLL31.5	\$488.67
34.5		OLL34.5	\$496.22
37.5		OLL37.5	\$503.93
40.5		OLL40.5	\$511.81

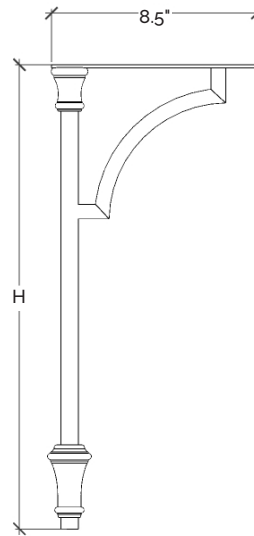


CLASSIC LEG - MID

Adjustable Feet: Adjusts 1/4" shorter and 3/4" longer than stated size.

*Legs sold individually.

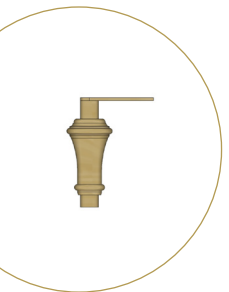
**Not recommended for freestanding furniture.



MID

width

height	width	Product Code	Price
	7.5		
10.5		OLM10.5	\$415.34
13.5		OLM13.5	\$418.94
16.5		OLM16.5	\$422.56
19.5		OLM19.5	\$426.20

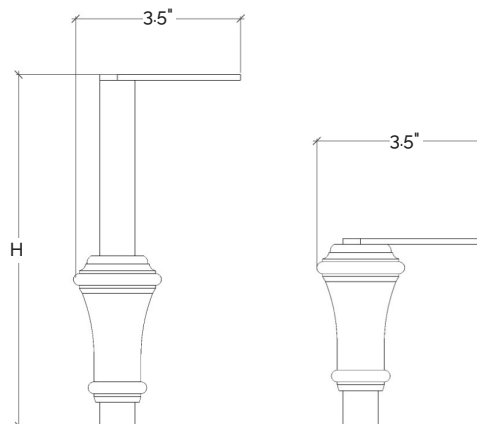
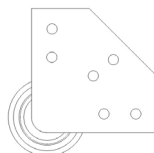


CLASSIC LEG - PETITE

Adjustable Feet: Adjusts 1/4" shorter and 3/4" longer than stated size.

*Legs sold individually.

TOP MOUNTING PLATE



PETITE

width

height	width	Product Code	Price
	3.5		
4		OLP4	\$186.86
4.5		OLP4.5	\$187.54
6		OLP6	\$189.32
7.5		OLP7.5	\$191.11

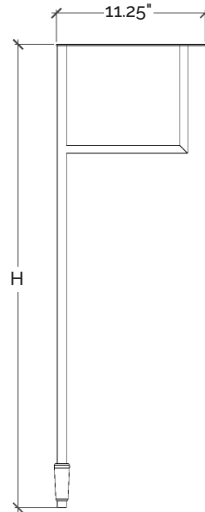
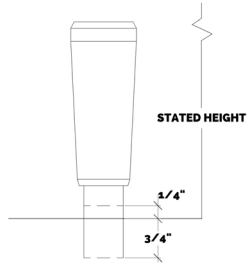
MODERN LEG - LONG

Adjustable Feet: Adjusts 1/4" shorter and 3/4" longer than stated size.

Provided floor mounted bushing required for stability.

*Legs sold individually.

**Not recommended for freestanding furniture.



LONG

	width
	11
22.5	OLLM22.5
	\$400.93
25.5	OLLM25.5
	\$408.16
28.5	OLLM28.5
	\$415.54
31.5	OLLM31.5
	\$423.07
34.5	OLLM34.5
	\$430.76
37.5	OLLM37.5
	\$438.61
40.5	OLLM40.5
	\$446.63

height

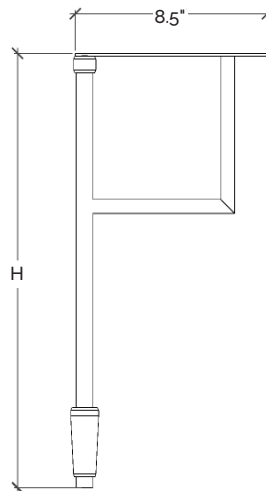


MODERN LEG - MID

Adjustable Feet: Adjusts 1/4" shorter and 3/4" longer than stated size.

*Legs sold individually.

**Not recommended for freestanding furniture.



MID

	width
	8.5
10.5	OLMM10.5
	\$386.56
13.5	OLMM13.5
	\$393.67
16.5	OLMM16.5
	\$400.92
19.5	OLMM19.5
	\$408.32

height

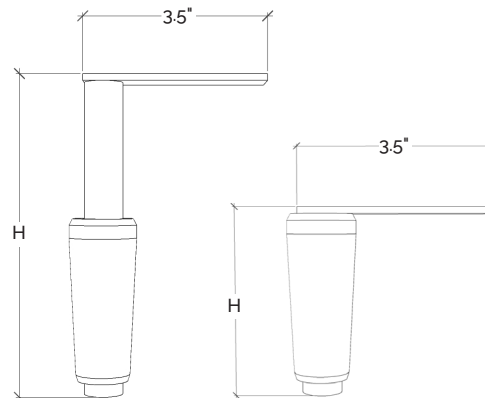
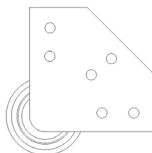


MODERN LEG - PETITE

Adjustable Feet: Adjusts 1/4" shorter and 3/4" longer than stated size.

*Legs sold individually.

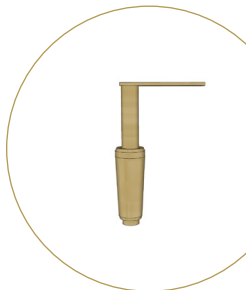
TOP MOUNTING PLATE



PETITE

	width
	3.5
4	OLMP4
	\$180.10
4.5	OLMP4.5
	\$182.77
6	OLMP6
	\$186.26
7.5	OLMP7.5
	\$189.82

height



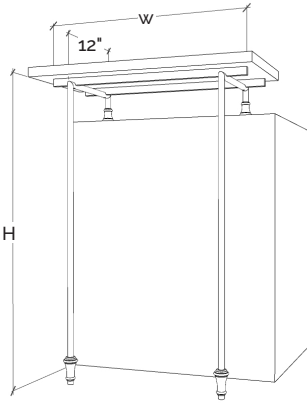
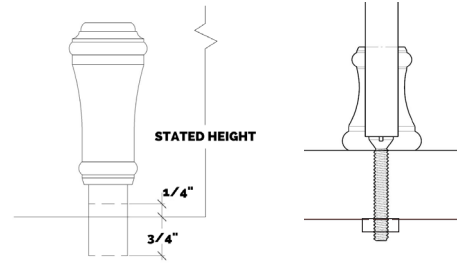
RAISED COUNTER SUPPORT

Application: Designed to be an elevated counter support extension. Longer lengths available. Contact sales@fittingscollection.com for a custom quote.

Adjustable Feet: Adjusts 1/4" shorter and 3/4" longer than stated size.

Provided floor mounted bushing required for stability.

Support Spacing: Width minus 4" equally divided.



TWO SUPPORT

TWO SUPPORT

width

	21	24	27	30	33
34.5	RCS2134.5-2	RCS2434.5-2	RCS2734.5-2	RCS3034.5-2	RCS3334.5-2
	\$949.66	\$987.76	\$1,027.69	\$1,069.58	\$1,113.60
40.5	RCS2140.5-2	RCS2440.5-2	RCS2740.5-2	RCS3040.5-2	RCS3340.5-2
	\$1,092.42	\$1,141.22	\$1,192.70	\$1,247.08	\$1,304.58

height

THREE SUPPORT

width

	36	39	42	45	48	54	60
34.5	RCS3634.5-3	RCS3934.5-3	RCS4234.5-3	RCS4534.5-3	RCS4834.5-3	RCS5434.5-3	RCS6034.5-3
	\$1,381.74	\$1,427.49	\$1,475.07	\$1,524.61	\$1,576.28	\$1,653.20	\$1,732.60
40.5	RCS3640.5-3	RCS3940.5-3	RCS4240.5-3	RCS4540.5-3	RCS4840.5-3	RCS5440.5-3	RCS6040.5-3
	\$1,598.68	\$1,660.71	\$1,725.86	\$1,794.39	\$1,866.56	\$1,965.62	\$2,068.94

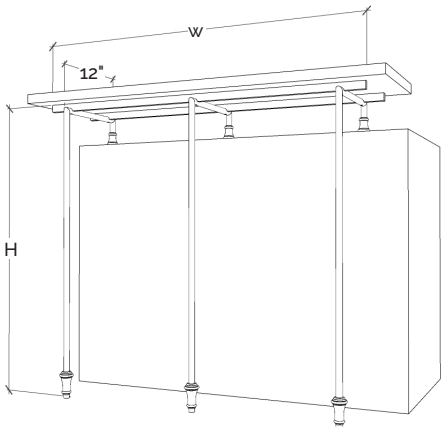
height

FOUR SUPPORT

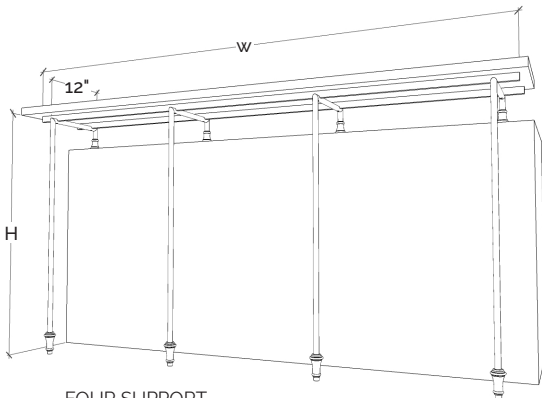
width

	60	66	72	78	84	90	96
34.5	RCS6034.5-4	RCS6634.5-4	RCS7234.5-4	RCS7834.5-4	RCS8434.5-4	RCS9034.5-4	RCS9634.5-4
	\$1,685.34	\$1,754.04	\$1,824.57	\$1,897.06	\$1,971.68	\$2,048.60	\$2,128.00
40.5	RCS6040.5-4	RCS6640.5-4	RCS7240.5-4	RCS7840.5-4	RCS8440.5-4	RCS9040.5-4	RCS9640.5-4
	\$1,902.28	\$1,987.26	\$2,075.36	\$2,166.84	\$2,261.96	\$2,361.02	\$2,464.34

height



THREE SUPPORT



FOUR SUPPORT

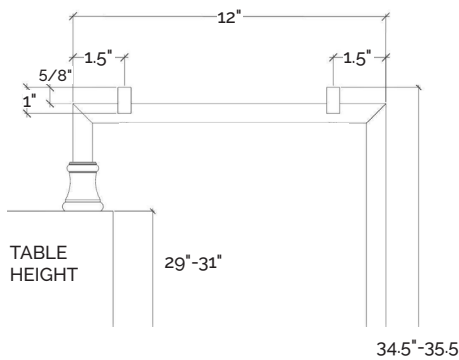
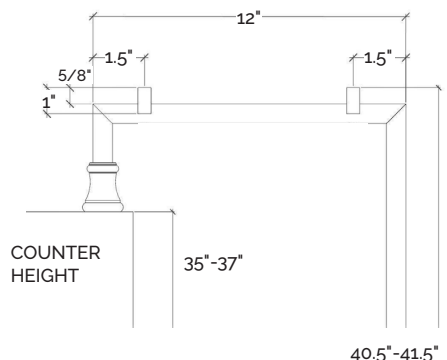


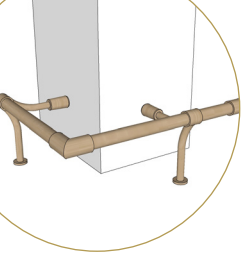
TABLE HEIGHT 29"-31"



COUNTER HEIGHT 35"-37"

34.5"-35.5"

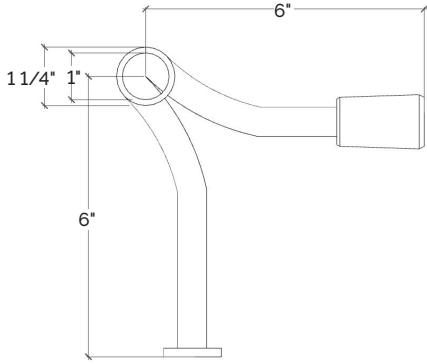
40.5"-41.5"



FOOT RAIL

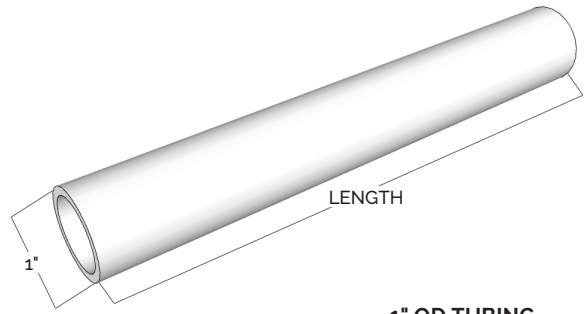
We recommend a maximum 42" between Foot Rail Brackets.

Custom radius and bends available. Contact sales@fittingscollection.com for a custom quote.



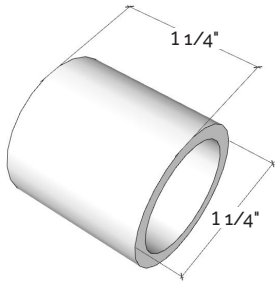
FOOT RAIL BRACKET

6" x 6"	FRB
	\$115.00



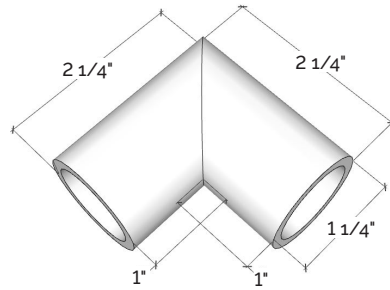
1" OD TUBING

length	24	FRT24
		\$30.00
	48	FRT48
		\$60.00
	72	FRT72
		\$90.00
	96	FRT96
		\$120.00
	120	FRT120
		\$150.00
	144	FRT144
		\$180.00



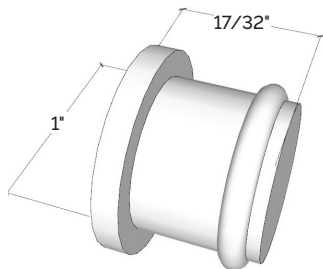
WALL MOUNT

1.25" x 1.25"	WM
	\$45.00



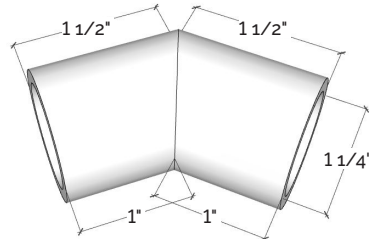
90° FITTING

2.25" x 2.25"	90D
	\$60.00



END CAP

1" x 17/32"	EC
	\$45.00



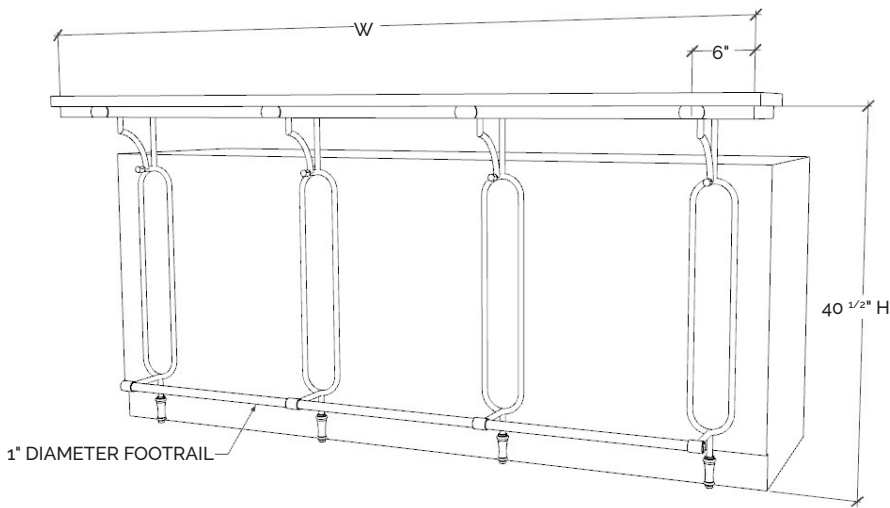
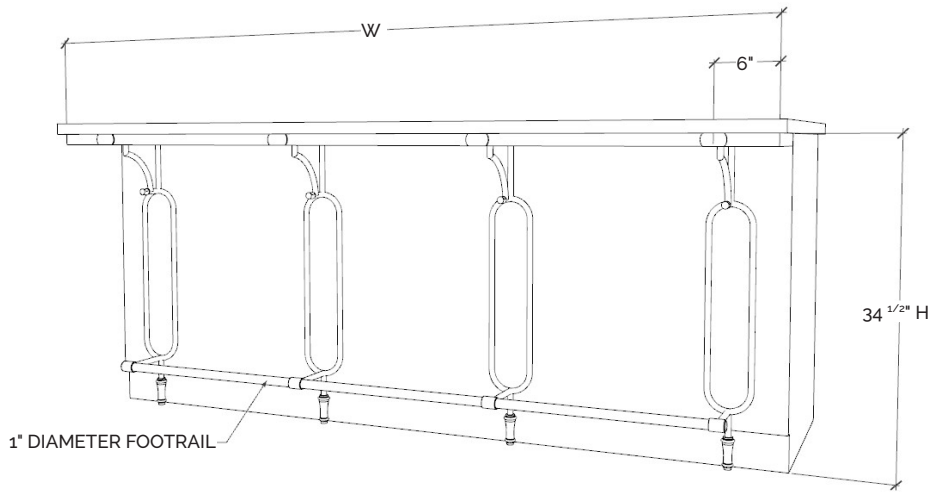
45° FITTING

1.5" x 1.5"	45D
	\$60.00

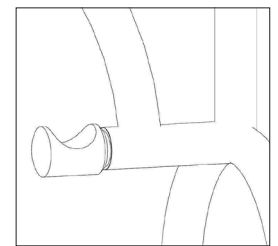


BAR SUPPORT SYSTEM WITH FOOT RAIL

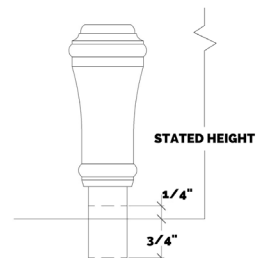
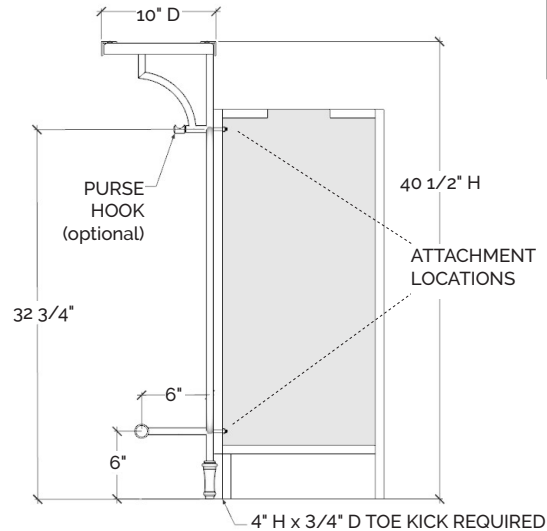
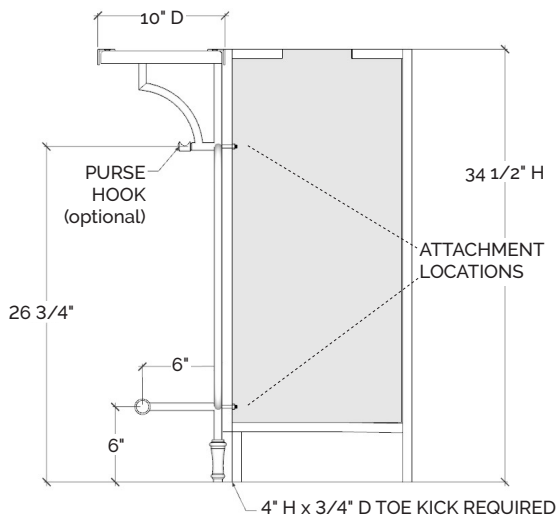
Adjustable Feet: Adjusts 1/4" shorter and 3/4" longer than stated size.



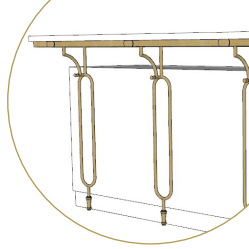
		height	
2 SUPPORT		34.5	40.5
	18-42	BSS4234.5-2	BSS4240.5-2
3 SUPPORT		\$2,463.00	\$2,763.00
	36-60	BSS6034.5-3	BSS6040.5-3
	60-84	BSS8434.5-3	BSS8440.5-3
4 SUPPORT		\$3,276.00	\$3,578.00
	54-90	BSS9034.5-4	BSS9040.5-4
	90-120	BSS12034.5-4	BSS12040.5-4
5 SUPPORT		\$4,035.00	\$4,335.00
	72-126	BSS12634.5-5	BSS12640.5-5
	126-156	BSS15634.5-5	BSS15640.5-5
6 SUPPORT		\$4,839.00	\$5,139.00
	90-144	BSS14434.5-6	BSS14440.5-6
	144-204	BSS20434.5-6	BSS20440.5-6
7 SUPPORT		\$5,706.00	\$6,006.00
	108-180	BSS18034.5-7	BSS18040.5-7
	180-240	BSS24034.5-7	BSS24040.5-7
		\$6,420.00	\$6,720.00
		\$6,510.00	\$6,810.00



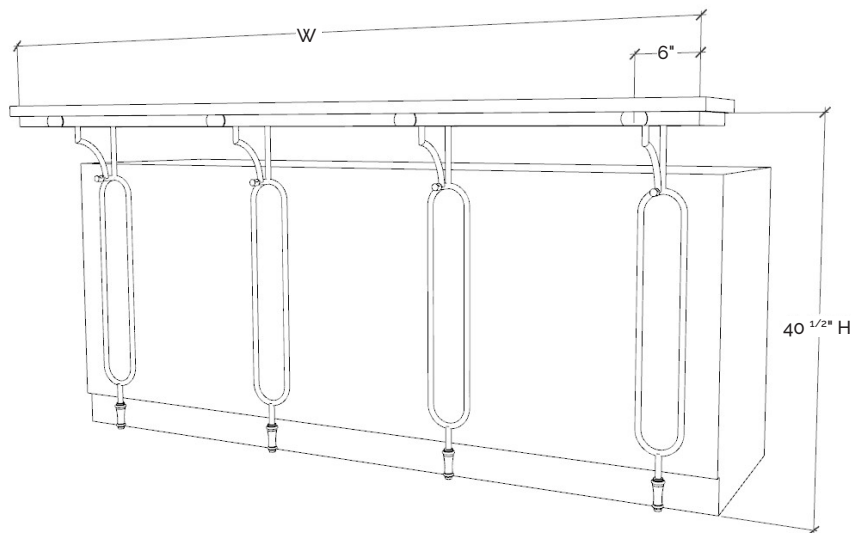
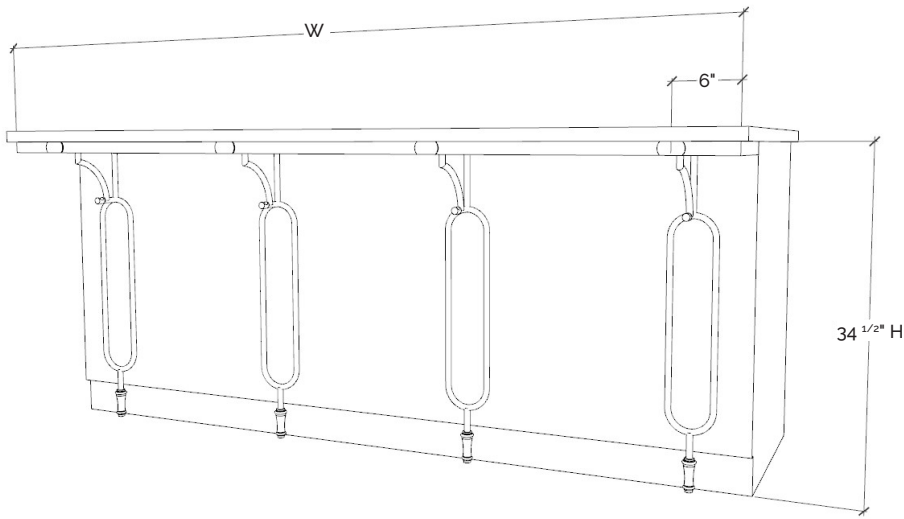
PURSE HOOK



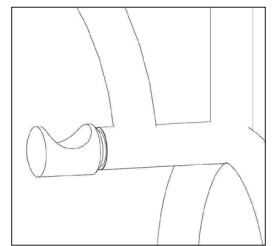
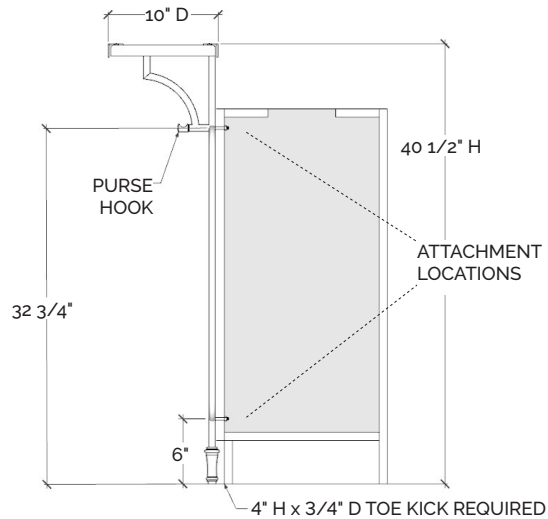
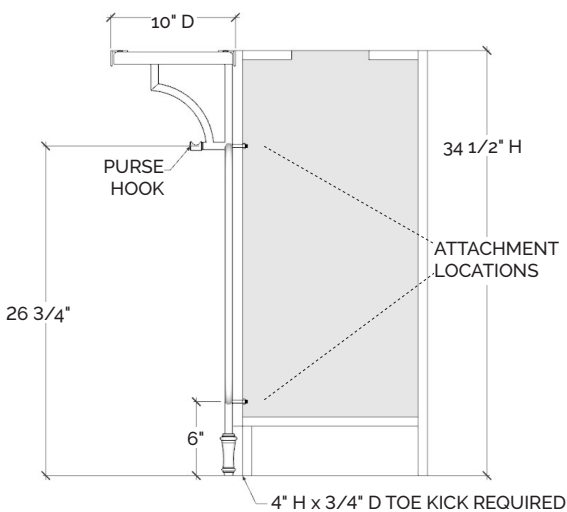
BAR SUPPORT SYSTEM WITHOUT FOOT RAIL



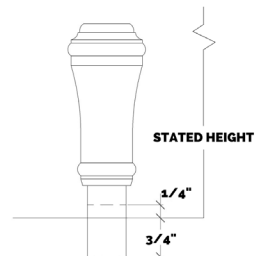
Adjustable Feet: Adjusts 1/4" shorter and 3/4" longer than stated size.



		height	
2 SUPPORT		34.5	40.5
	18-42	BSSNF4234.5-2	BSSNF4240.5-2
		\$2,340.00	\$2,645.00
3 SUPPORT	36-60	BSSNF6034.5-3	BSSNF6040.5-3
		\$3,078.00	\$3,363.00
	60-84	BSSNF8434.5-3	BSSNF8440.5-3
		\$3,112.00	\$3,399.00
4 SUPPORT	54-90	BSSNF9034.5-4	BSSNF9040.5-4
		\$3,833.00	\$4,118.00
	90-120	BSSNF12034.5-4	BSSNF12040.5-4
		\$3,876.00	\$4,161.00
5 SUPPORT	72-126	BSSNF12634.5-5	BSSNF12640.5-5
		\$4,597.00	\$4,882.00
	126-156	BSSNF15634.5-5	BSSNF15640.5-5
		\$4,640.00	\$4,925.00
6 SUPPORT	90-144	BSSNF14434.5-6	BSSNF14440.5-6
		\$5,335.00	\$5,620.00
	144-204	BSSNF20434.5-6	BSSNF20440.5-6
		\$5,421.00	\$5,706.00
7 SUPPORT	108-180	BSSNF18034.5-7	BSSNF18040.5-7
		\$6,099.00	\$6,384.00
	180-240	BSSNF24034.5-7	BSSNF24040.5-7
		\$6,185.00	\$6,470.00



PURSE HOOK

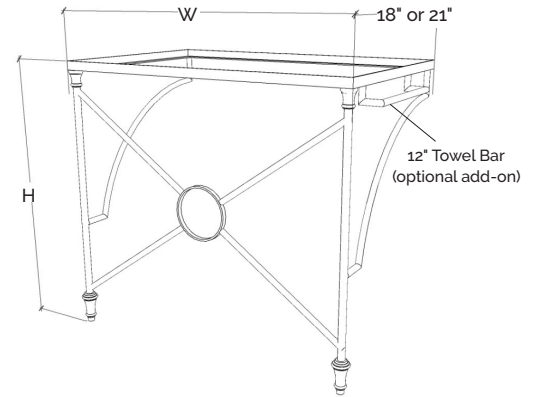
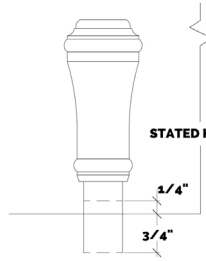




CROSS VANITY BASE

Adjustable Feet: Adjusts 1/4" shorter and 3/4" longer than stated size.

Optional Towel Bar add-on. See website for pricing.



18" DEPTH VANITY BASE

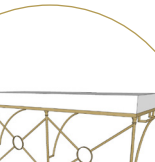
width

	18	21	24	27	30	33	36	39	42
height	VBC1830-18	VBC2130-18	VBC2430-18	VBC2730-18	VBC3030-18	VBC3330-18	VBC3630-18	VBC3930-18	VBC4230-18
	\$1,395.07	\$1,411.57	\$1,428.46	\$1,446.47	\$1,464.91	\$1,483.44	\$1,503.12	\$1,522.91	\$1,543.18
	VBC1834.5-18	VBC2134.5-18	VBC2434.5-18	VBC2734.5-18	VBC3034.5-18	VBC3334.5-18	VBC3634.5-18	VBC3934.5-18	VBC4234.5-18
	\$1,544.90	\$1,565.13	\$1,585.88	\$1,607.52	\$1,630.07	\$1,653.19	\$1,676.90	\$1,701.57	\$1,726.52

21" DEPTH VANITY BASE

width

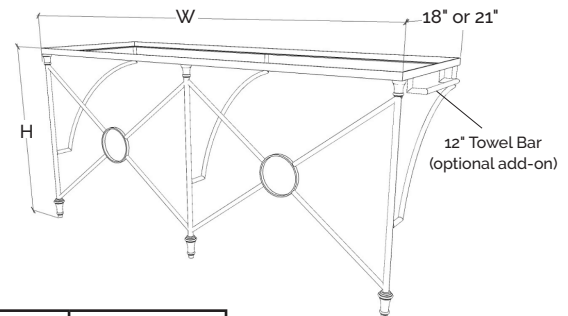
	18	21	24	27	30	33	36	39	42
height	VBC1830-21	VBC2130-21	VBC2430-21	VBC2730-21	VBC3030-21	VBC3330-21	VBC3630-21	VBC3930-21	VBC4230-21
	\$1,465.17	\$1,483.76	\$1,502.81	\$1,523.05	\$1,543.77	\$1,564.65	\$1,586.76	\$1,609.05	\$1,631.90
	VBC1834.5-21	VBC2134.5-21	VBC2434.5-21	VBC2734.5-21	VBC3034.5-21	VBC3334.5-21	VBC3634.5-21	VBC3934.5-21	VBC4234.5-21
	\$1,636.28	\$1,659.23	\$1,682.80	\$1,707.34	\$1,732.87	\$1,759.07	\$1,785.95	\$1,813.88	\$1,842.19



DOUBLE CROSS VANITY BASE

Adjustable Feet: Adjusts 1/4" shorter and 3/4" longer than stated size.

Optional Towel Bar add-on. See website for pricing.



18" DEPTH VANITY BASE

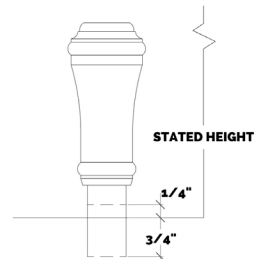
width

	48	54	60	66	72	78	84
height	DVBC4830-18	DVBC5430-18	DVBC6030-18	DVBC6630-18	DVBC7230-18	DVBC7830-18	DVBC8430-18
	\$2,601.21	\$2,653.91	\$2,709.16	\$2,766.35	\$2,825.54	\$2,886.82	\$2,950.98
	DVBC4834.5-18	DVBC5434.5-18	DVBC6034.5-18	DVBC6634.5-18	DVBC7234.5-18	DVBC7834.5-18	DVBC8434.5-18
	\$2,989.71	\$3,056.37	\$3,125.47	\$3,197.81	\$3,273.50	\$3,351.23	\$3,427.62

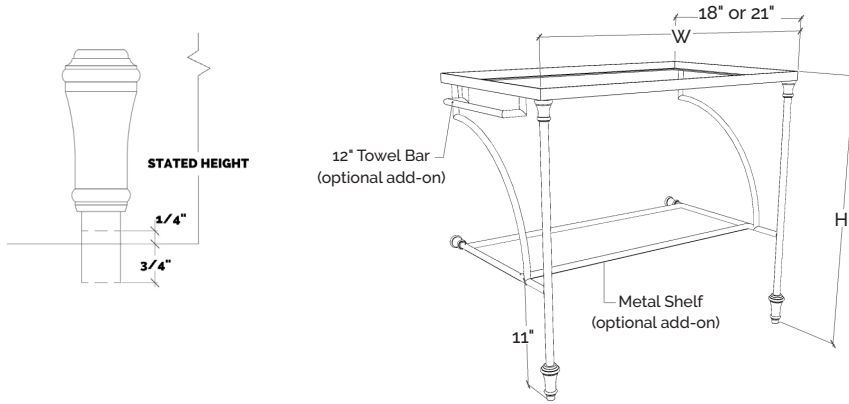
21" DEPTH VANITY BASE

width

	48	54	60	66	72	78	84
height	DVBC4830-21	DVBC5430-21	DVBC6030-21	DVBC6630-21	DVBC7230-21	DVBC7830-21	DVBC8430-21
	\$2,653.51	\$2,708.29	\$2,765.71	\$2,825.14	\$2,886.67	\$2,950.39	\$3,017.07
	DVBC4834.5-21	DVBC5434.5-21	DVBC6034.5-21	DVBC6634.5-21	DVBC7234.5-21	DVBC7834.5-21	DVBC8434.5-21
	\$3,058.44	\$3,127.84	\$3,199.79	\$3,275.09	\$3,353.85	\$3,434.78	\$3,514.50



OPEN VANITY BASE



Shelf and Towel Bar do not come standard, but are optional add-ons. See website for pricing.

Shelf cannot be added to ADA vanities. Always check local ADA requirements.

Adjustable Feet: Adjusts 1/4" shorter and 3/4" longer than stated size.

18" DEPTH VANITY BASE

width

ADA COMPLIANT

height	width									
	18	21	24	27	30	33	36	39	42	
30	VBO1830-18	VBO2130-18	VBO2430-18	VBO2730-18	VBO3030-18	VBO3330-18	VBO3630-18	VBO3930-18	VBO4230-18	
	\$1,301.94	\$1,315.63	\$1,329.73	\$1,344.24	\$1,359.18	\$1,374.55	\$1,390.38	\$1,406.68	\$1,423.45	
34.5	VBO1834.5-18	VBO2134.5-18	VBO2434.5-18	VBO2734.5-18	VBO3034.5-18	VBO3334.5-18	VBO3634.5-18	VBO3934.5-18	VBO4234.5-18	
	\$1,444.77	\$1,462.55	\$1,480.85	\$1,499.69	\$1,519.09	\$1,539.06	\$1,559.62	\$1,580.79	\$1,602.58	

21" DEPTH VANITY BASE

width

ADA COMPLIANT

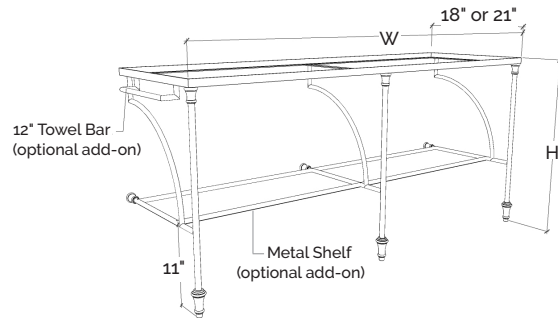
height	width									
	18	21	24	27	30	33	36	39	42	
30	VBO1830-21	VBO2130-21	VBO2430-21	VBO2730-21	VBO3030-21	VBO3330-21	VBO3630-21	VBO3930-21	VBO4230-21	
	\$1,374.84	\$1,390.63	\$1,406.88	\$1,423.61	\$1,440.84	\$1,458.57	\$1,476.83	\$1,495.62	\$1,514.97	
34.5	VBO1834.5-21	VBO2134.5-21	VBO2434.5-21	VBO2734.5-21	VBO3034.5-21	VBO3334.5-21	VBO3634.5-21	VBO3934.5-21	VBO4234.5-21	
	\$1,538.94	\$1,559.45	\$1,580.57	\$1,602.31	\$1,624.69	\$1,647.74	\$1,671.47	\$1,695.90	\$1,721.05	

DOUBLE OPEN VANITY BASE

Shelf and Towel Bar do not come standard, but are optional add-ons. See website for pricing.

Shelf cannot be added to ADA vanities. Always check local ADA requirements.

Adjustable Feet: Adjusts 1/4" shorter and 3/4" longer than stated size.



18" DEPTH VANITY BASE

width

ADA COMPLIANT

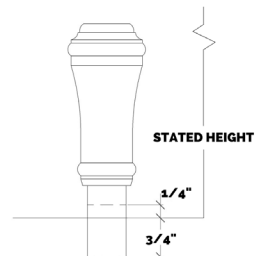
height	width							
	48	54	60	66	72	78	84	
30	DVBO4830-18	DVBO5430-18	DVBO6030-18	DVBO6630-18	DVBO7230-18	DVBO7830-18	DVBO8430-18	
	\$2,288.44	\$2,335.44	\$2,384.29	\$2,435.08	\$2,487.87	\$2,542.75	\$2,599.81	
34.5	DVBO4834.5-18	DVBO5434.5-18	DVBO6034.5-18	DVBO6634.5-18	DVBO7234.5-18	DVBO7834.5-18	DVBO8434.5-18	
	\$2,661.67	\$2,723.33	\$2,787.43	\$2,854.07	\$2,923.35	\$2,995.38	\$3,070.27	

21" DEPTH VANITY BASE

width

ADA COMPLIANT

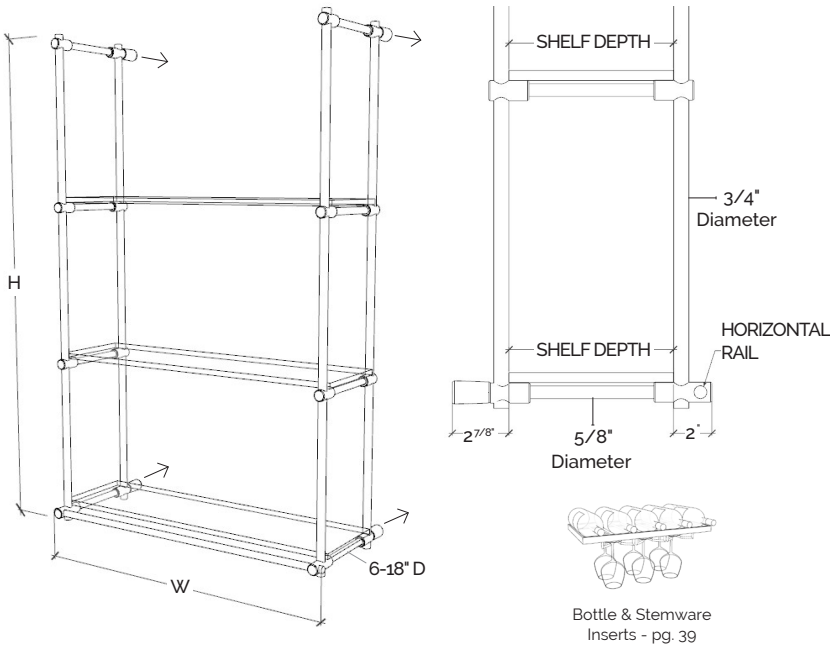
height	width							
	48	54	60	66	72	78	84	
30	DVBO4830-21	DVBO5430-21	DVBO6030-21	DVBO6630-21	DVBO7230-21	DVBO7830-21	DVBO8430-21	
	\$2,343.54	\$2,392.62	\$2,443.64	\$2,496.67	\$2,551.81	\$2,609.12	\$2,668.70	
34.5	DVBO4834.5-21	DVBO5434.5-21	DVBO6034.5-21	DVBO6634.5-21	DVBO7234.5-21	DVBO7834.5-21	DVBO8434.5-21	
	\$2,733.20	\$2,797.59	\$2,864.54	\$2,934.14	\$3,006.51	\$3,081.74	\$3,159.96	





BISTRO WALL SHELF

Must specify height, width and depth of finished shelves when ordering. 18" max depth - see drawing below for shelf depth. Shelves sold separately. See page 45.



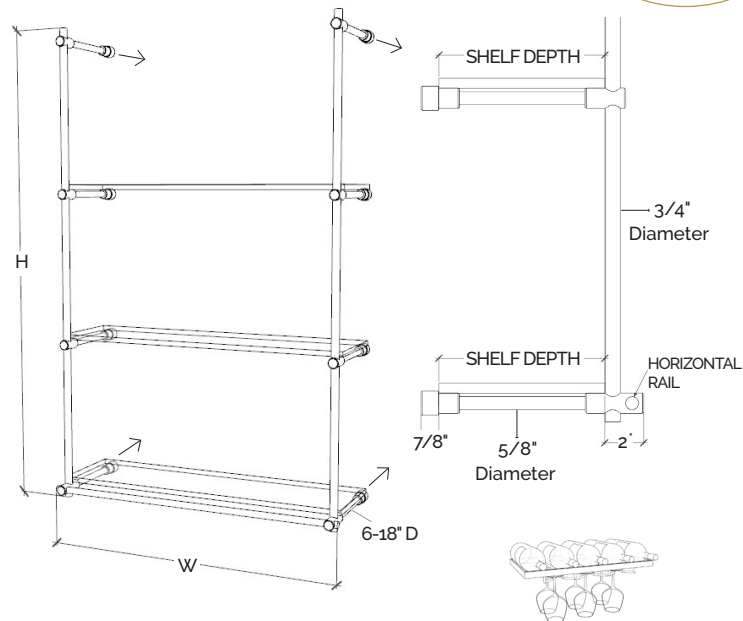
Bottle & Stemware Inserts - pg. 39

	1 BAY	2 BAY	3 BAY	4 BAY	
	12-36	24-72	36-108	108-144	
1 SHELF	12-24	BW24-1b.1s	BW24-2b.1s	BW24-3b.1s	BW24-4b.1s
		\$1,135.84	\$1,553.64	\$1,971.44	\$2,389.24
	24-48	BW48-1b.1s	BW48-2b.1s	BW48-3b.1s	BW48-4b.1s
	\$1,229.44	\$1,694.04	\$2,158.64	\$2,623.24	
	48-72	BW72-1b.1s	BW72-2b.1s	BW72-3b.1s	BW72-4b.1s
	\$1,323.04	\$1,834.44	\$2,345.84	\$2,857.24	
2 SHELF	24-48	BW48-1b.2s	BW48-2b.2s	BW48-3b.2s	BW48-4b.2s
		\$1,454.56	\$1,997.16	\$2,539.76	\$3,082.36
	48-72	BW72-1b.2s	BW72-2b.2s	BW72-3b.2s	BW72-4b.2s
	\$1,548.16	\$2,137.56	\$2,726.96	\$3,316.36	
3 SHELF	48-72	BW72-1b.3s	BW72-2b.3s	BW72-3b.3s	BW72-4b.3s
		\$1,773.28	\$2,440.68	\$3,108.08	\$3,775.48
	72-96	BW96-1b.3s	BW96-2b.3s	BW96-3b.3s	BW96-4b.3s
	\$1,866.88	\$2,581.08	\$3,295.28	\$4,009.48	
4 SHELF	48-72	BW72-1b.4s	BW72-2b.4s	BW72-3b.4s	BW72-4b.4s
		\$1,998.40	\$2,743.80	\$3,489.20	\$4,234.60
	72-96	BW96-1b.4s	BW96-2b.4s	BW96-3b.4s	BW96-4b.4s
		\$2,092.00	\$2,884.20	\$3,489.20	\$4,468.60
	96-120	BW120-1b.4s	BW120-2b.4s	BW120-3b.4s	BW120-4b.4s
	\$2,185.60	\$3,024.60	\$3,863.60	\$4,702.60	
5 SHELF	72-96	BW96-1b.5s	BW96-2b.5s	BW96-3b.5s	BW96-4b.5s
		\$2,317.12	\$3,187.32	\$4,057.52	\$4,927.72
	96-120	BW120-1b.5s	BW120-2b.5s	BW120-3b.5s	BW120-4b.5s
		\$2,410.72	\$3,327.72	\$4,244.72	\$5,161.72

	1 BAY	2 BAY	3 BAY	4 BAY	
	12-36	24-72	36-108	108-144	
1 SHELF	12-24	BWNRV24-1b.1s	BWNRV24-2b.1s	BWNRV24-3b.1s	BWNRV24-4b.1s
		\$797.84	\$1,046.64	\$1,295.44	\$1,544.24
	24-48	BWNRV48-1b.1s	BWNRV48-2b.1s	BWNRV48-3b.1s	BWNRV48-4b.1s
	\$844.64	\$1,116.84	\$1,389.04	\$1,661.24	
	48-72	BWNRV72-1b.1s	BWNRV72-2b.1s	BWNRV72-3b.1s	BWNRV72-4b.1s
	\$891.44	\$1,187.04	\$1,482.64	\$1,778.24	
2 SHELF	24-48	BWNRV48-1b.2s	BWNRV48-2b.2s	BWNRV48-3b.2s	BWNRV48-4b.2s
		\$1,067.16	\$1,416.06	\$1,764.96	\$2,113.86
	48-72	BWNRV72-1b.2s	BWNRV72-2b.2s	BWNRV72-3b.2s	BWNRV72-4b.2s
	\$1,113.96	\$1,486.26	\$1,858.56	\$2,230.86	
3 SHELF	48-72	BWNRV72-1b.3s	BWNRV72-2b.3s	BWNRV72-3b.3s	BWNRV72-4b.3s
		\$1,336.48	\$1,785.48	\$2,234.48	\$2,683.48
	72-96	BWNRV96-1b.3s	BWNRV96-2b.3s	BWNRV96-3b.3s	BWNRV96-4b.3s
	\$1,383.28	\$1,855.68	\$2,328.08	\$2,800.48	
4 SHELF	48-72	BWNRV72-1b.4s	BWNRV72-2b.4s	BWNRV72-3b.4s	BWNRV72-4b.4s
		\$1,559.00	\$2,084.70	\$2,571.40	\$3,058.10
	72-96	BWNRV96-1b.4s	BWNRV96-2b.4s	BWNRV96-3b.4s	BWNRV96-4b.4s
		\$1,605.80	\$2,154.90	\$2,665.00	\$3,175.10
	96-120	BWNRV120-1b.4s	BWNRV120-2b.4s	BWNRV120-3b.4s	BWNRV120-4b.4s
	\$1,652.60	\$2,225.10	\$2,758.60	\$3,292.10	
5 SHELF	72-96	BWNRV96-1b.5s	BWNRV96-2b.5s	BWNRV96-3b.5s	BWNRV96-4b.5s
		\$1,828.32	\$2,454.12	\$3,079.92	\$3,705.72
	96-120	BWNRV120-1b.5s	BWNRV120-2b.5s	BWNRV120-3b.5s	BWNRV120-4b.5s
	\$1,652.60	\$2,225.10	\$2,758.60	\$3,292.10	

BISTRO WALL SHELF NO REAR VERTICAL

Must specify height, width and depth of finished shelves when ordering. 18" max depth - see drawing below for shelf depth. Shelves sold separately. See page 45.

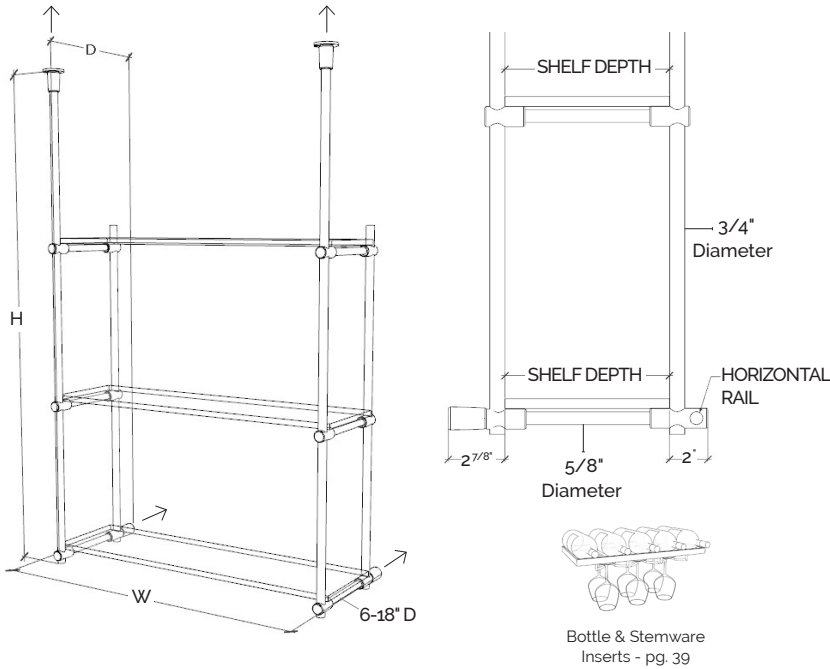


Bottle & Stemware Inserts - pg. 39



BISTRO WALL TO CEILING SHELF

Must specify height, width and depth of finished shelves when ordering. 18" max depth - see drawing below for shelf depth. Shelves sold separately. See page 45.



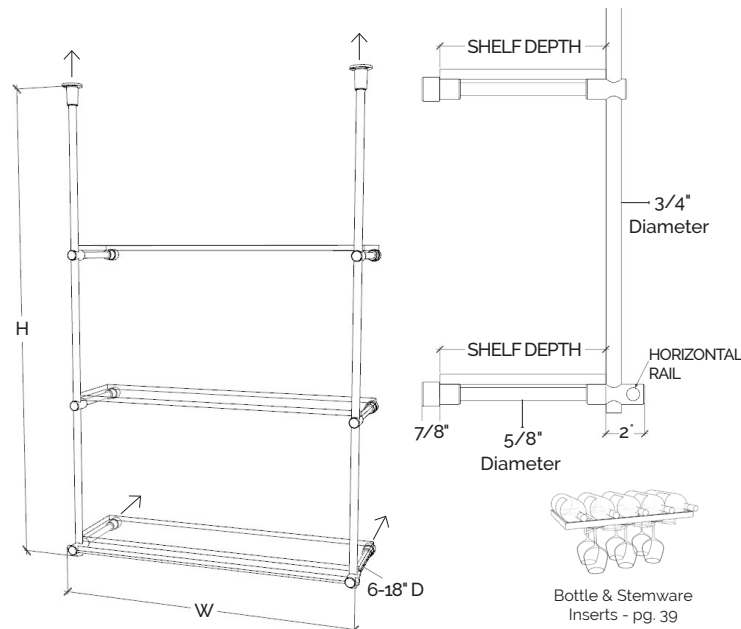
		1 BAY	2 BAY	3 BAY	4 BAY
		12-36	24-72	36-108	108-144
1 SHELF	12-24	BWC24-1b.1s	BWC24-2b.1s	BWC24-3b.1s	BWC24-4b.1s
		\$779.12	\$1,033.12	\$1,287.12	\$1,541.12
	24-48	BWC48-1b.1s	BWC48-2b.1s	BWC48-3b.1s	BWC48-4b.1s
		\$869.60	\$1,168.84	\$1,468.08	\$1,767.32
	48-72	BWC72-1b.1s	BWC72-2b.1s	BWC72-3b.1s	BWC72-4b.1s
		\$960.08	\$1,304.56	\$1,649.04	\$1,993.52
2 SHELF	24-48	BWC48-1b.2s	BWC48-2b.2s	BWC48-3b.2s	BWC48-4b.2s
		\$1,094.72	\$1,471.96	\$1,849.20	\$2,226.44
	48-72	BWC72-1b.2s	BWC72-2b.2s	BWC72-3b.2s	BWC72-4b.2s
		\$1,185.20	\$1,607.68	\$2,030.16	\$2,452.64
3 SHELF	48-72	BWC72-1b.3s	BWC72-2b.3s	BWC72-3b.3s	BWC72-4b.3s
		\$1,410.32	\$1,910.80	\$2,411.28	\$2,911.76
	72-96	BWC96-1b.3s	BWC96-2b.3s	BWC96-3b.3s	BWC96-4b.3s
		\$1,500.80	\$2,046.52	\$2,592.24	\$3,137.96
4 SHELF	48-72	BWC72-1b.4s	BWC72-2b.4s	BWC72-3b.4s	BWC72-4b.4s
		\$1,635.44	\$2,213.92	\$2,792.40	\$3,370.88
	72-96	BWC96-1b.4s	BWC96-2b.4s	BWC96-3b.4s	BWC96-4b.4s
		\$1,725.92	\$2,349.64	\$2,973.36	\$3,597.08
	96-120	BWC120-1b.4s	BWC120-2b.4s	BWC120-3b.4s	BWC120-4b.4s
		\$1,816.40	\$2,485.36	\$3,154.32	\$3,823.28
5 SHELF	72-96	BWC96-1b.5s	BWC96-2b.5s	BWC96-3b.5s	BWC96-4b.5s
		\$1,951.04	\$2,652.76	\$3,354.48	\$4,056.20
	96-120	BWC120-1b.5s	BWC120-2b.5s	BWC120-3b.5s	BWC120-4b.5s
		\$2,041.52	\$2,788.48	\$3,535.44	\$4,282.40

1 BAY 2 BAY 3 BAY 4 BAY

		1 BAY	2 BAY	3 BAY	4 BAY
		12-36	24-72	36-108	108-144
1 SHELF	12-24	BWCNRV24-1b.1s	BWCNRV24-2b.1s	BWCNRV24-3b.1s	BWCNRV24-4b.1s
		\$656.14	\$848.65	\$1,041.16	\$1,233.67
	24-48	BWCNRV48-1b.1s	BWCNRV48-2b.1s	BWCNRV48-3b.1s	BWCNRV48-4b.1s
		\$702.94	\$918.85	\$1,134.76	\$1,350.67
	48-72	BWCNRV72-1b.1s	BWCNRV72-2b.1s	BWCNRV72-3b.1s	BWCNRV72-4b.1s
		\$749.74	\$989.05	\$1,228.36	\$1,467.67
2 SHELF	24-48	BWCNRV48-1b.2s	BWCNRV48-2b.2s	BWCNRV48-3b.2s	BWCNRV48-4b.2s
		\$927.28	\$1,220.80	\$1,514.32	\$1,807.84
	48-72	BWCNRV72-1b.2s	BWCNRV72-2b.2s	BWCNRV72-3b.2s	BWCNRV72-4b.2s
		\$974.08	\$1,291.00	\$1,607.92	\$1,924.84
3 SHELF	48-72	BWCNRV72-1b.3s	BWCNRV72-2b.3s	BWCNRV72-3b.3s	BWCNRV72-4b.3s
		\$1,198.42	\$1,592.95	\$1,987.48	\$2,382.01
	72-96	BWCNRV96-1b.3s	BWCNRV96-2b.3s	BWCNRV96-3b.3s	BWCNRV96-4b.3s
		\$1,245.22	\$1,663.15	\$2,081.08	\$2,499.01
4 SHELF	48-72	BWCNRV72-1b.4s	BWCNRV72-2b.4s	BWCNRV72-3b.4s	BWCNRV72-4b.4s
		\$1,422.76	\$1,894.90	\$2,367.04	\$2,839.18
	72-96	BWCNRV96-1b.4s	BWCNRV96-2b.4s	BWCNRV96-3b.4s	BWCNRV96-4b.4s
		\$1,469.56	\$1,965.10	\$2,460.64	\$2,956.18
	96-120	BWCNRV120-1b.4s	BWCNRV120-2b.4s	BWCNRV120-3b.4s	BWCNRV120-4b.4s
		\$1,516.36	\$2,035.30	\$2,554.24	\$3,073.18
5 SHELF	72-96	BWCNRV96-1b.5s	BWCNRV96-2b.5s	BWCNRV96-3b.5s	BWCNRV96-4b.5s
		\$1,693.90	\$2,267.05	\$2,840.20	\$3,413.35
	96-120	BWCNRV120-1b.5s	BWCNRV120-2b.5s	BWCNRV120-3b.5s	BWCNRV120-4b.5s
		\$1,740.70	\$2,337.25	\$2,933.80	\$3,530.35

BISTRO WALL TO CEILING SHELF NO REAR VERTICAL

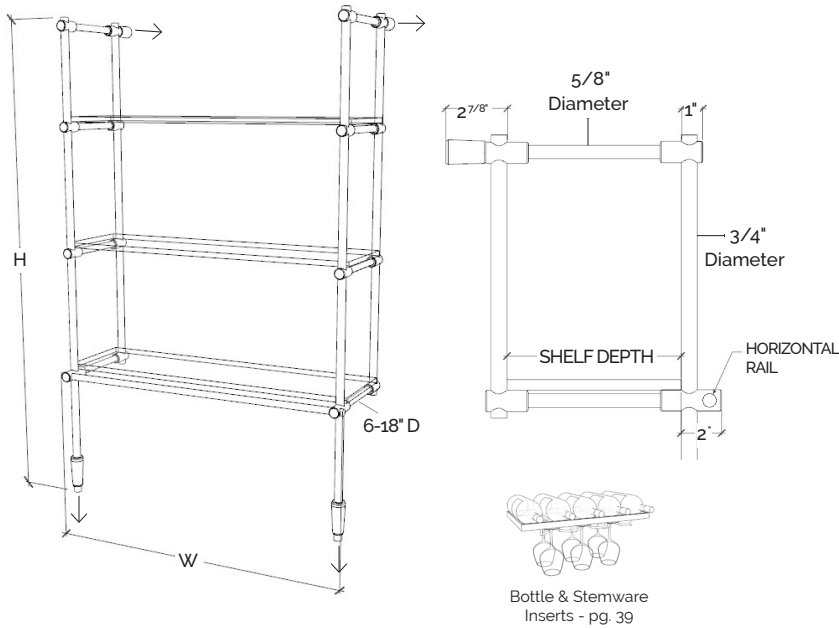
Must specify height, width and depth of finished shelves when ordering. 18" max depth - see drawing below for shelf depth. Shelves sold separately. See page 45.





BISTRO FLOOR/COUNTER TO WALL SHELF

Must specify height, width and depth of finished shelves when ordering. 18" max depth - see drawing below for shelf depth. Shelves sold separately. See page 45.

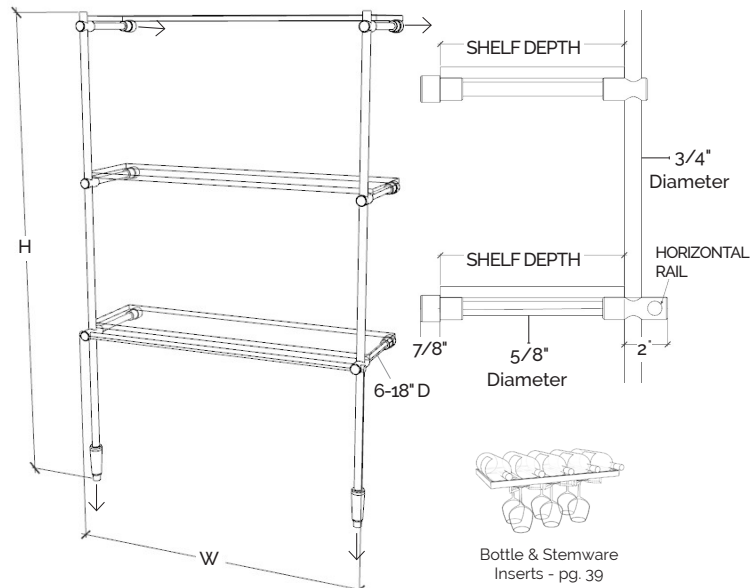


	1 BAY	2 BAY	3 BAY	4 BAY	
	12-36	24-72	36-108	108-144	
1 SHELF	12-24	BFW24-1b.1s	BFW24-2b.1s	BFW24-3b.1s	BFW24-4b.1s
		\$1,168.18	\$1,602.15	\$2,036.12	\$2,470.08
	24-48	BFW48-1b.1s	BFW48-2b.1s	BFW48-3b.1s	BFW48-4b.1s
		\$1,261.78	\$1,742.55	\$2,223.32	\$2,704.08
2 SHELF	48-72	BFW72-1b.1s	BFW72-2b.1s	BFW72-3b.1s	BFW72-4b.1s
		\$1,355.38	\$1,882.95	\$2,410.52	\$2,938.08
	24-48	BFW48-1b.2s	BFW48-2b.2s	BFW48-3b.2s	BFW48-4b.2s
		\$1,486.90	\$2,045.67	\$2,604.44	\$3,163.20
3 SHELF	48-72	BFW72-1b.2s	BFW72-2b.2s	BFW72-3b.2s	BFW72-4b.2s
		\$1,580.50	\$2,186.07	\$2,791.64	\$3,397.20
	48-72	BFW72-1b.3s	BFW72-2b.3s	BFW72-3b.3s	BFW72-4b.3s
		\$1,805.62	\$2,489.19	\$3,172.76	\$3,856.32
4 SHELF	72-96	BFW96-1b.3s	BFW96-2b.3s	BFW96-3b.3s	BFW96-4b.3s
		\$1,899.22	\$2,629.59	\$3,359.96	\$4,090.32
	48-72	BFW72-1b.4s	BFW72-2b.4s	BFW72-3b.4s	BFW72-4b.4s
		\$2,030.74	\$2,792.31	\$3,553.88	\$4,315.44
5 SHELF	72-96	BFW96-1b.4s	BFW96-2b.4s	BFW96-3b.4s	BFW96-4b.4s
		\$2,124.34	\$2,932.71	\$3,741.08	\$4,549.44
	96-120	BFW120-1b.4s	BFW120-2b.4s	BFW120-3b.4s	BFW120-4b.4s
		\$2,217.94	\$3,073.11	\$3,928.28	\$4,783.44
6 SHELF	72-96	BFW96-1b.5s	BFW96-2b.5s	BFW96-3b.5s	BFW96-4b.5s
		\$2,349.46	\$3,235.83	\$4,122.20	\$5,008.56
	96-120	BFW120-1b.5s	BFW120-2b.5s	BFW120-3b.5s	BFW120-4b.5s
		\$2,443.06	\$3,376.23	\$4,309.40	\$5,242.56

	1 BAY	2 BAY	3 BAY	4 BAY	
	12-36	24-72	36-108	108-144	
1 SHELF	12-24	BFWNRV24-1b.1s	BFWNRV24-2b.1s	BFWNRV24-3b.1s	BFWNRV24-4b.1s
		\$774.36	\$1,011.42	\$1,248.48	\$1,485.54
	24-48	BFWNRV48-1b.1s	BFWNRV48-2b.1s	BFWNRV48-3b.1s	BFWNRV48-4b.1s
		\$821.16	\$1,081.62	\$1,342.08	\$1,602.54
2 SHELF	48-72	BFWNRV72-1b.1s	BFWNRV72-2b.1s	BFWNRV72-3b.1s	BFWNRV72-4b.1s
		\$867.96	\$1,151.82	\$1,435.68	\$1,719.54
	24-48	BFWNRV48-1b.2s	BFWNRV48-2b.2s	BFWNRV48-3b.2s	BFWNRV48-4b.2s
		\$1,043.68	\$1,380.84	\$1,718.00	\$2,055.16
3 SHELF	48-72	BFWNRV72-1b.2s	BFWNRV72-2b.2s	BFWNRV72-3b.2s	BFWNRV72-4b.2s
		\$1,090.48	\$1,451.04	\$1,811.60	\$2,172.16
	48-72	BFWNRV72-1b.3s	BFWNRV72-2b.3s	BFWNRV72-3b.3s	BFWNRV72-4b.3s
		\$1,313.00	\$1,750.26	\$2,187.52	\$2,624.78
4 SHELF	72-96	BFWNRV96-1b.3s	BFWNRV96-2b.3s	BFWNRV96-3b.3s	BFWNRV96-4b.3s
		\$1,359.80	\$1,820.46	\$2,281.12	\$2,741.78
	48-72	BFWNRV72-1b.4s	BFWNRV72-2b.4s	BFWNRV72-3b.4s	BFWNRV72-4b.4s
		\$1,535.52	\$2,049.48	\$2,563.44	\$3,077.40
5 SHELF	72-96	BFWNRV96-1b.4s	BFWNRV96-2b.4s	BFWNRV96-3b.4s	BFWNRV96-4b.4s
		\$1,582.32	\$2,119.68	\$2,657.04	\$3,194.40
	96-120	BFWNRV120-1b.4s	BFWNRV120-2b.4s	BFWNRV120-3b.4s	BFWNRV120-4b.4s
		\$1,629.12	\$2,189.88	\$2,750.64	\$3,311.40
6 SHELF	72-96	BFWNRV96-1b.5s	BFWNRV96-2b.5s	BFWNRV96-3b.5s	BFWNRV96-4b.5s
		\$1,804.84	\$2,418.90	\$3,032.96	\$3,647.02
	96-120	BFWNRV120-1b.5s	BFWNRV120-2b.5s	BFWNRV120-3b.5s	BFWNRV120-4b.5s
		\$1,851.64	\$2,489.10	\$3,126.56	\$3,764.02

BISTRO FLOOR/COUNTER TO WALL SHELF NO REAR VERTICAL

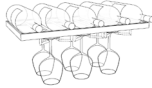
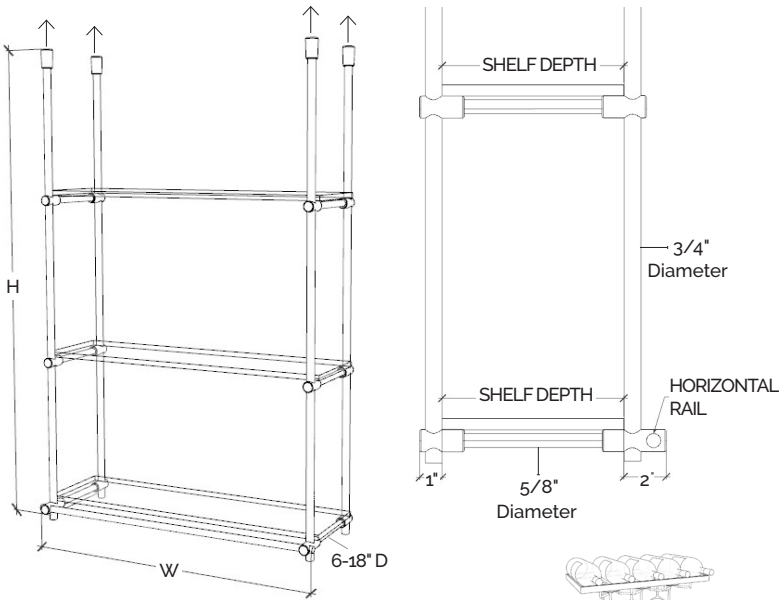
Must specify height, width and depth of finished shelves when ordering. 18" max depth - see drawing below for shelf depth. Shelves sold separately. See page 45.





BISTRO CEILING SHELF

Must specify height, width and depth of finished shelves when ordering. 18" max depth - see drawing below for shelf depth. Shelves sold separately. See page 45.



Bottle & Stemware Inserts - pg. 39

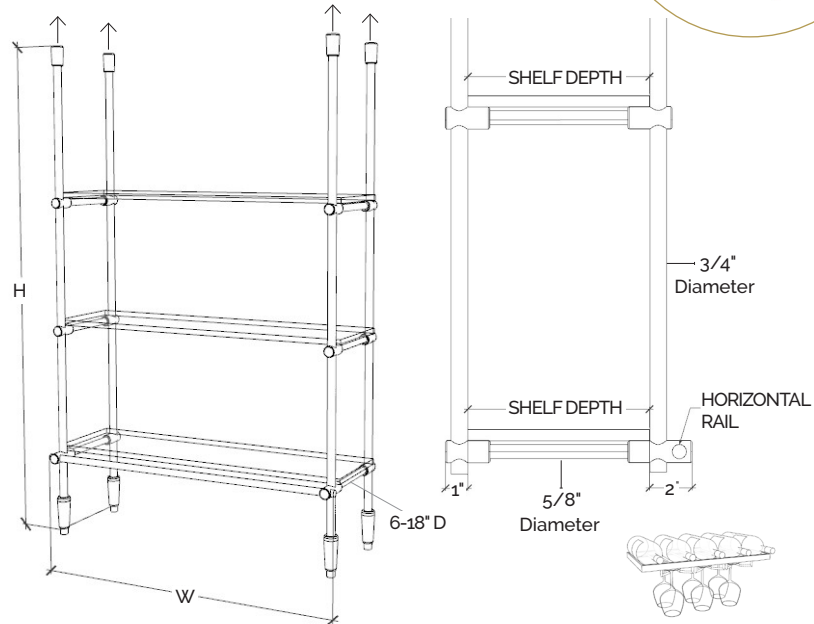
	1 BAY	2 BAY	3 BAY	4 BAY
	12-36	24-72	36-108	108-144
1 SHELF	12-24	BC24-1b.1s	BC24-2b.1s	BC24-3b.1s
		\$848.54	\$1,137.25	\$1,425.96
	24-48	BC48-1b.1s	BC48-2b.1s	BC48-3b.1s
		\$942.14	\$1,277.65	\$1,613.16
2 SHELF	48-72	BC72-1b.1s	BC72-2b.1s	BC72-3b.1s
		\$1,035.74	\$1,418.05	\$1,800.36
	24-48	BC48-1b.2s	BC48-2b.2s	BC48-3b.2s
		\$1,169.08	\$1,583.50	\$1,997.92
3 SHELF	48-72	BC72-1b.2s	BC72-2b.2s	BC72-3b.2s
		\$1,262.68	\$1,723.90	\$2,185.12
	48-72	BC72-1b.3s	BC72-2b.3s	BC72-3b.3s
		\$1,489.62	\$2,029.75	\$2,569.88
4 SHELF	72-96	BC96-1b.3s	BC96-2b.3s	BC96-3b.3s
		\$1,583.22	\$2,170.15	\$2,757.08
	48-72	BC72-1b.4s	BC72-2b.4s	BC72-3b.4s
		\$1,716.56	\$2,335.60	\$2,954.64
	72-96	BC96-1b.4s	BC96-2b.4s	BC96-3b.4s
		\$1,810.16	\$2,476.00	\$3,141.84
5 SHELF	96-120	BC120-1b.4s	BC120-2b.4s	BC120-3b.4s
		\$1,903.76	\$2,616.40	\$3,329.04
	72-96	BC96-1b.5s	BC96-2b.5s	BC96-3b.5s
		\$2,037.10	\$2,781.85	\$3,526.60
	96-120	BC120-1b.5s	BC120-2b.5s	BC120-3b.5s
		\$2,130.70	\$2,922.25	\$3,713.80

1 BAY 2 BAY 3 BAY 4 BAY

	1 BAY	2 BAY	3 BAY	4 BAY
1 SHELF	12-36	24-72	36-108	108-144
	12-24	BFC24-1b.1s	BFC24-2b.1s	BFC24-3b.1s
		\$1,108.38	\$1,527.01	\$1,945.64
	24-48	BFC48-1b.1s	BFC48-2b.1s	BFC48-3b.1s
2 SHELF		\$1,201.98	\$1,667.41	\$2,132.84
	48-72	BFC72-1b.1s	BFC72-2b.1s	BFC72-3b.1s
		\$1,295.58	\$1,807.81	\$2,320.04
	24-48	BFC48-1b.2s	BFC48-2b.2s	BFC48-3b.2s
3 SHELF		\$1,428.92	\$1,973.26	\$2,517.60
	48-72	BFC72-1b.2s	BFC72-2b.2s	BFC72-3b.2s
		\$1,522.52	\$2,113.66	\$2,704.80
	48-72	BFC72-1b.3s	BFC72-2b.3s	BFC72-3b.3s
4 SHELF		\$1,749.46	\$2,419.51	\$3,089.56
	72-96	BFC96-1b.3s	BFC96-2b.3s	BFC96-3b.3s
		\$1,843.06	\$2,559.91	\$3,276.76
	48-72	BFC72-1b.4s	BFC72-2b.4s	BFC72-3b.4s
		\$1,976.40	\$2,725.36	\$3,474.32
	72-96	BFC96-1b.4s	BFC96-2b.4s	BFC96-3b.4s
5 SHELF		\$2,070.00	\$2,865.76	\$3,661.52
	96-120	BFC120-1b.4s	BFC120-2b.4s	BFC120-3b.4s
		\$2,163.60	\$3,006.16	\$3,848.72
	72-96	BFC96-1b.5s	BFC96-2b.5s	BFC96-3b.5s
		\$2,296.94	\$3,171.61	\$4,046.28
	96-120	BFC120-1b.5s	BFC120-2b.5s	BFC120-3b.5s
	\$2,390.54	\$3,312.01	\$4,233.48	

BISTRO FLOOR/COUNTER TO CEILING SHELF

Must specify height, width and depth of finished shelves when ordering. 18" max depth - see drawing below for shelf depth. Shelves sold separately. See page 45.



Bottle & Stemware Inserts - pg. 39



DUAL MOUNT BRACKET

Application: Pair with cabinetry or shelving.

*Brackets sold individually.

**Bracket hardware sold separately - pg. 38



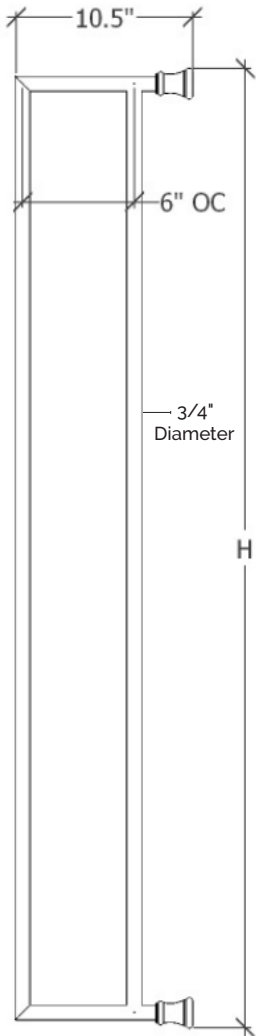
WALL MOUNT BRACKET

Application: Pair with cabinetry or shelving to create wall mount systems for entertainment spaces, closet systems and beyond.

Adjustable Feet: Adjusts 1/4" shorter and 3/4" longer than stated size.

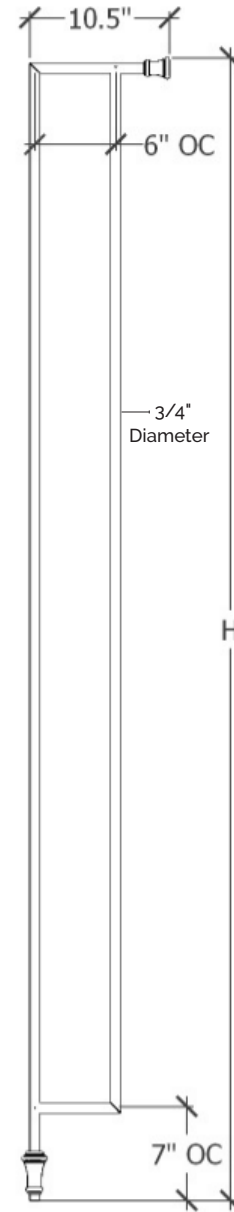
*Brackets sold individually.

**Bracket hardware sold separately - pg. 38



12	DMB12
	\$481.38
15	DMB15
	\$487.38
18	DMB18
	\$493.41
21	DMB21
	\$499.44
24	DMB24
	\$505.50
27	DMB27
	\$511.56
30	DMB30
	\$517.65
33	DMB33
	\$523.75
36	DMB36
	\$529.87
39	DMB39
	\$536.00
42	DMB42
	\$542.15
45	DMB45
	\$548.31
48	DMB48
	\$554.49
54	DMB54
	\$565.19
60	DMB60
	\$575.91
66	DMB66
	\$586.64
72	DMB72
	\$597.39
78	DMB78
	\$608.16
96	DMB96
	\$640.57

height



30	WMB30
	\$537.91
33	WMB33
	\$545.35
36	WMB36
	\$552.85
39	WMB39
	\$560.41
42	WMB42
	\$568.03
45	WMB45
	\$575.72
48	WMB48
	\$583.46
54	WMB54
	\$599.15
60	WMB60
	\$615.11
66	WMB66
	\$631.35
72	WMB72
	\$647.88
78	WMB78
	\$664.72
84	WMB84
	\$681.87
90	WMB90
	\$699.35
96	WMB96
	\$717.18
102	WMB102
	\$730.72
108	WMB108
	\$744.36
114	WMB114
	\$758.09
120	WMB120
	\$771.91

height



CEILING MOUNT BRACKET

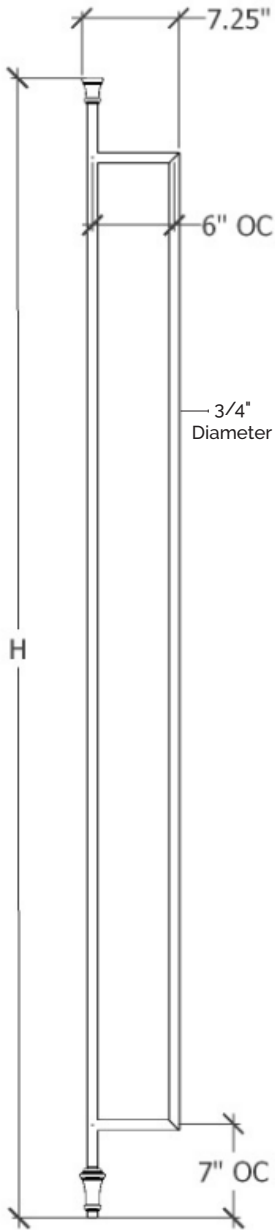
Application: Pair with cabinetry or shelving to create ceiling mount systems for entertainment spaces, closet systems and beyond. Sold in 1" increments: 48"-120"

Adjustable Feet: Adjusts 1/4" shorter and 3/4" longer than stated size.

Example: If you order a 96" leg it will adjust from 95 3/4" to 96 3/4"

*Brackets sold individually.

**Bracket hardware sold separately - pg. 38



24-30	CMB24-30
	\$438.19
30-36	CMB30-36
	\$449.84
36-42	CMB36-42
	\$461.54
42-48	CMB42-48
	\$473.28
48-54	CMB48-54
	\$485.07
54-60	CMB54-60
	\$496.91
60-66	CMB60-66
	\$508.80
66-72	CMB66-72
	\$520.74
72-78	CMB72-78
	\$532.73
78-84	CMB78-84
	\$544.78
84-90	CMB84-90
	\$556.88
90-96	CMB90-96
	\$569.03
96-102	CMB96-102
	\$581.23
102-108	CMB102-108
	\$593.50
108-114	CMB108-114
	\$605.82
114-120	CMB114-120
	\$618.20

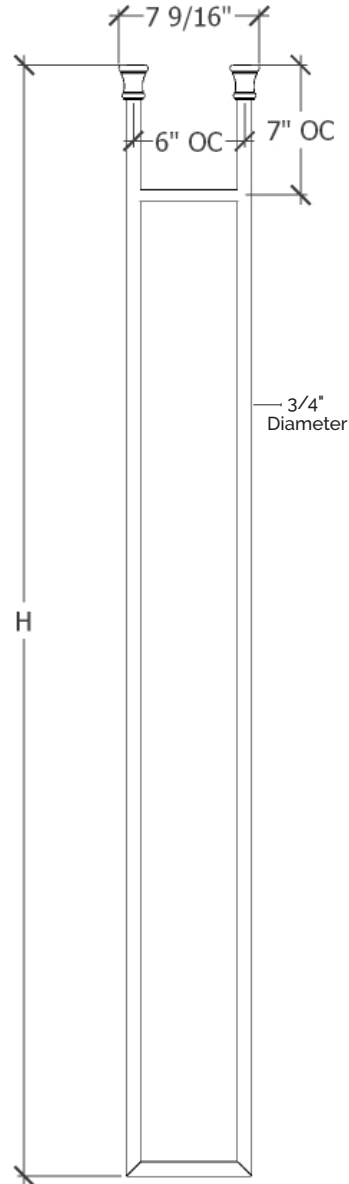


SUSPENDED CEILING MOUNT BRACKET

Application: Pair with cabinetry or shelving to create ceiling suspended systems for entertainment spaces, closet systems and beyond.

*Brackets sold individually.

**Bracket hardware sold separately - pg. 38



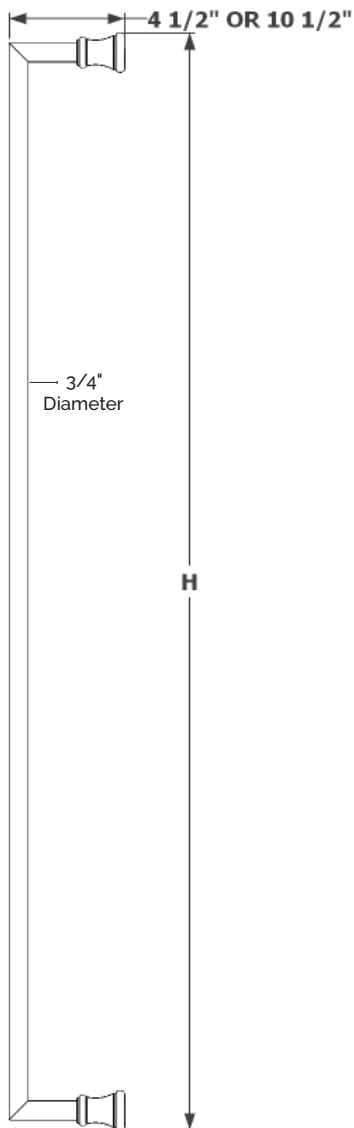
24	SCMB24
	\$757.16
27	SCMB27
	\$784.46
30	SCMB30
	\$813.58
33	SCMB33
	\$818.08
36	SCMB36
	\$849.17
39	SCMB39
	\$882.40
42	SCMB42
	\$917.91
45	SCMB45
	\$955.92
48	SCMB48
	\$996.60
54	SCMB54
	\$1,044.67
60	SCMB60
	\$1,095.87
66	SCMB66
	\$1,150.45
72	SCMB72
	\$1,208.67
84	SCMB84
	\$1,279.83
96	SCMB96
	\$1,355.25



MONO MOUNT BRACKET

Application: Pair with cabinetry or shelving. Aligns with bracket system on page 34.

*Brackets sold individually.
**Bracket hardware sold separately



	depth	
	4.5	10.5
12	MMB4.512	MMB10.512
	\$426.38	\$460.29
15	MMB4.515	MMB10.515
	\$429.88	\$463.91
18	MMB4.518	MMB10.518
	\$433.39	\$467.55
21	MMB4.521	MMB10.521
	\$436.90	\$471.19
24	MMB4.524	MMB10.524
	\$440.43	\$474.84
27	MMB4.527	MMB10.527
	\$443.95	\$478.49
30	MMB4.530	MMB10.530
	\$447.49	\$482.16
33	MMB4.533	MMB10.533
	\$451.03	\$485.83
36	MMB4.536	MMB10.536
	\$454.58	\$489.50
39	MMB4.539	MMB10.539
	\$458.13	\$493.19
42	MMB4.542	MMB10.542
	\$461.69	\$496.88
45	MMB4.545	MMB10.545
	\$465.26	\$500.58
48	MMB4.548	MMB10.548
	\$468.83	\$504.28
54	MMB4.554	MMB10.554
	\$474.66	\$510.24
60	MMB4.560	MMB10.560
	\$480.50	\$516.21
66	MMB4.566	MMB10.566
	\$486.34	\$522.19
72	MMB4.572	MMB10.572
	\$492.19	\$528.18
78	MMB4.578	MMB10.578
	\$498.05	\$534.17
96	MMB4.596	MMB10.596
	\$512.92	\$549.17

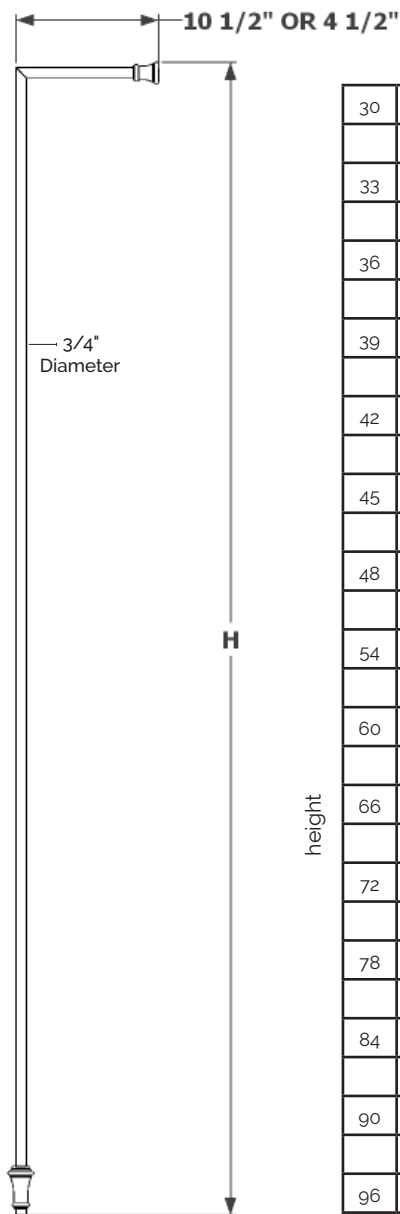


MONO WALL MOUNT BRACKET

Application: Pair with cabinetry or shelving to create wall mount systems for entertainment spaces, closet systems and beyond. Aligns with brackets on page 24.

Adjustable Feet: Adjusts 1/4" shorter and 3/4" longer than stated size.

*Brackets sold individually.
**Bracket hardware sold separately



	depth	
	10.5	4.5
30	MWMB4.530	MWMB10.530
	\$461.76	\$490.90
33	MWMB4.533	MWMB10.533
	\$465.41	\$494.66
36	MWMB4.536	MWMB10.536
	\$469.05	\$498.43
39	MWMB4.539	MWMB10.539
	\$472.71	\$502.21
42	MWMB4.542	MWMB10.542
	\$476.37	\$506.00
45	MWMB4.545	MWMB10.545
	\$480.04	\$509.80
48	MWMB4.548	MWMB10.548
	\$483.72	\$513.60
54	MWMB4.554	MWMB10.554
	\$489.65	\$519.66
60	MWMB4.560	MWMB10.560
	\$495.60	\$525.73
66	MWMB4.566	MWMB10.566
	\$501.54	\$531.81
72	MWMB4.572	MWMB10.572
	\$507.50	\$537.89
78	MWMB4.578	MWMB10.578
	\$513.46	\$543.99
84	MWMB4.584	MWMB10.584
	\$519.43	\$550.09
90	MWMB4.590	MWMB10.590
	\$525.41	\$556.20
96	MWMB4.596	MWMB10.596
	\$531.40	\$562.31
102	MWMB4.5102	MWMB10.5102
	\$537.39	\$568.44
108	MWMB4.5108	MWMB10.5108
	\$543.39	\$574.57
114	MWMB4.5114	MWMB10.5114
	\$549.40	\$580.71
120	MWMB4.5120	MWMB10.5120
	\$555.41	\$586.86



MONO CEILING MOUNT BRACKET

Application: Pair with cabinetry or shelving to create ceiling mount systems for entertainment spaces, closet systems and beyond. Sold in 1' increments: 48"-120"

Adjustable Feet: Adjusts 1/4" shorter and 3/4" longer than stated size.

Example: If you order a 96" bracket it will adjust from 95 3/4" to 96 3/4"

*Brackets sold individually.
**Bracket hardware sold separately



24-30	MCMB24-30
	\$403.59
30-36	MCMB30-36
	\$409.47
36-42	MCMB36-42
	\$415.36
42-48	MCMB42-48
	\$421.25
48-54	MCMB48-54
	\$427.15
54-60	MCMB54-60
	\$433.05
60-66	MCMB60-66
	\$438.97
66-72	MCMB66-72
	\$444.89
72-78	MCMB72-78
	\$450.81
78-84	MCMB78-84
	\$456.75
84-90	MCMB84-90
	\$462.69
90-96	MCMB90-96
	\$468.64
96-102	MCMB96-102
	\$474.59
102-108	MCMB102-108
	\$480.56
108-114	MCMB108-114
	\$486.53
114-120	MCMB114-120
	\$492.51



MONO SUSPENDED CEILING MOUNT BRACKET

Application: Pair with cabinetry or shelving to create ceiling suspended systems for entertainment spaces, closet systems and beyond.

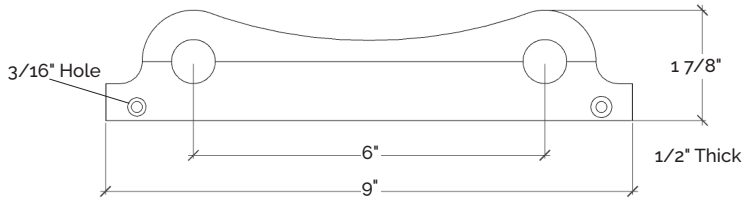
*Brackets sold individually.
**Bracket hardware sold separately



24	MSCMB24
	\$242.76
27	MSCMB27
	\$248.27
30	MSCMB30
	\$254.63
33	MSCMB33
	\$260.19
36	MSCMB36
	\$266.76
39	MSCMB39
	\$272.80
42	MSCMB42
	\$278.37
45	MSCMB45
	\$284.63
48	MSCMB48
	\$290.15
54	MSCMB54
	\$296.65
60	MSCMB60
	\$302.68
66	MSCMB66
	\$308.68
72	MSCMB72
	\$314.61
78	MSCMB78
	\$320.89
84	MSCMB84
	\$326.69
90	MSCMB90
	\$332.14
96	MSCMB96
	\$338.73

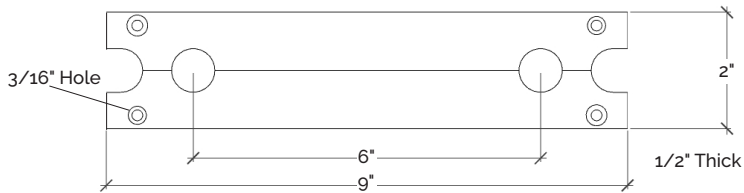
BRACKET HARDWARE

Used to secure shelves and cabinets to brackets.
Sold individually. **Glass shelf clips** available on page 44.



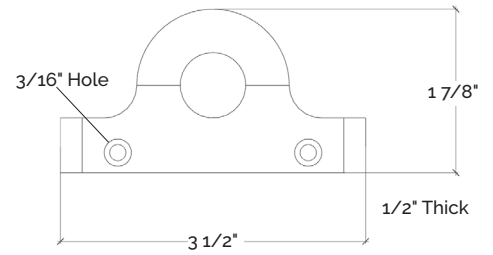
BRACKET END PLATE

9" x 1.875"	BEP
	\$55.00



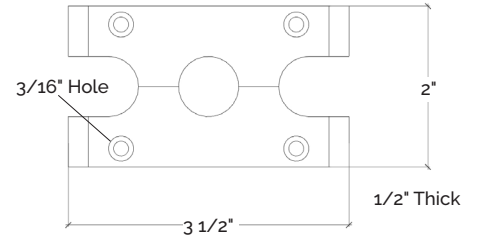
BRACKET JOINING PLATE

9" x 2"	BJP
	\$55.00



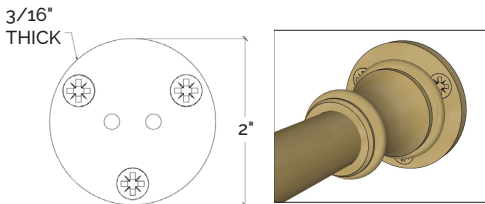
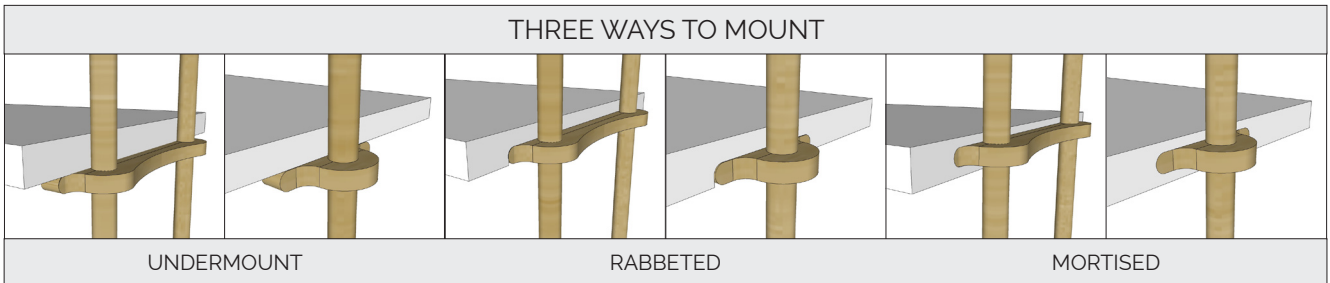
MONO BRACKET END PLATE

3.5" x 1.875"	MEP
	\$44.00



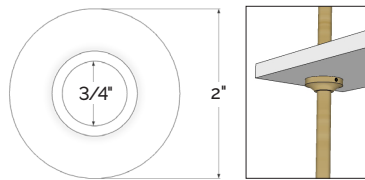
MONO BRACKET JOINING PLATE

3.5" x 2"	MJP
	\$44.00



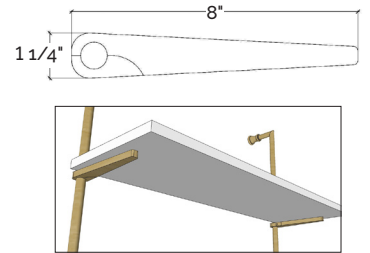
OPTIONAL MOUNTING FLANGE

.75" x 2"	WF
	\$24.00



MONO SHELF SUPPORT DISK

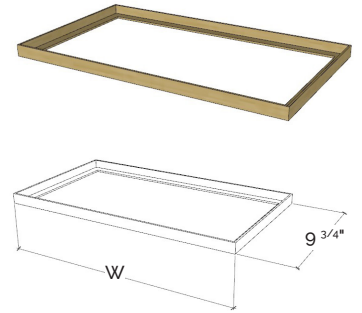
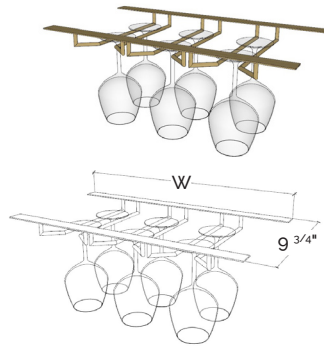
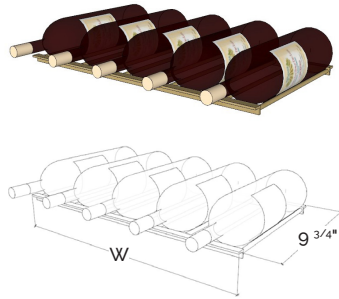
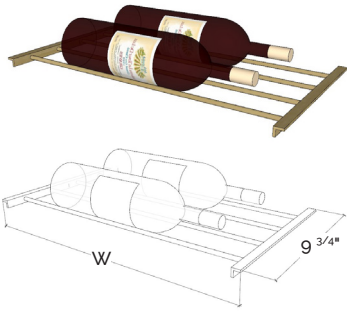
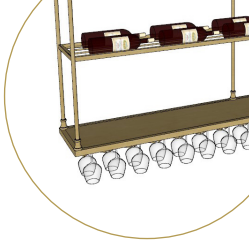
.75" x 2"	SSD
	\$38.00



MONO CANTILEVER PLATE

1.25" x 8"	CP
	\$58.00

BOTTLE & STEMWARE INSERTS



HORIZONTAL WINE INSERT

STANDARD WINE INSERT

STEMWARE INSERT

TRAY INSERT
Required for Bistro and Bracket Systems

		depth		
		9.75		
width	12	HWI12	2 BOTTLES	
		\$280.00		
	15	HWI15		
		\$290.00		
	18	HWI18		
		\$300.00		
width	21	HWI21	4 BOTTLES	
		\$310.00		
	24	HWI24		
		\$320.00		
	27	HWI27		
		\$330.00		
width	30	HWI30	6 BOTTLES	
		\$340.00		
	33	HWI33		
		\$350.00		
	36	HWI36		
		\$360.00		
width	39	HWI39		
		\$370.00		
	42	HWI42		
		\$380.00		

		depth			
		9.75			
width	12	SWI12	NUMBER OF BOTTLES		
		\$280.00			3
	15	SWI15			4
		\$290.00			5
	18	SWI18			6
		\$300.00			7
	21	SWI21			8
		\$310.00			9
	24	SWI24			10
		\$320.00			11
	27	SWI27			12
		\$330.00			
30	SWI30				
	\$340.00				
33	SWI33				
	\$350.00				
36	SWI36				
	\$360.00				
39	SWI39				
	\$370.00				
42	SWI42				
	\$380.00				

		depth			
		9.75			
width	12	SI12	NUMBER OF GLASSES		
		\$280.00			2
	15	SI15			3
		\$300.00			4
	18	SI18			5
		\$320.00			6
	21	SI21			7
		\$340.00			8
	24	SI24			9
		\$360.00			
	27	SI27			
		\$380.00			
30	SI30				
	\$400.00				
33	SI33				
	\$420.00				
36	SI36				
	\$440.00				
39	SI39				
	\$460.00				
42	SI42				
	\$480.00				

		depth		
		9.75		
width	12	TRAY12		
		\$280.00		
	15	TRAY15		
		\$290.00		
	18	TRAY18		
		\$300.00		
	21	TRAY21		
		\$310.00		
	24	TRAY24		
		\$320.00		
	27	TRAY27		
		\$330.00		
30	TRAY30			
	\$340.00			
33	TRAY33			
	\$350.00			
36	TRAY36			
	\$360.00			
39	TRAY39			
	\$370.00			
42	TRAY42			
	\$380.00			

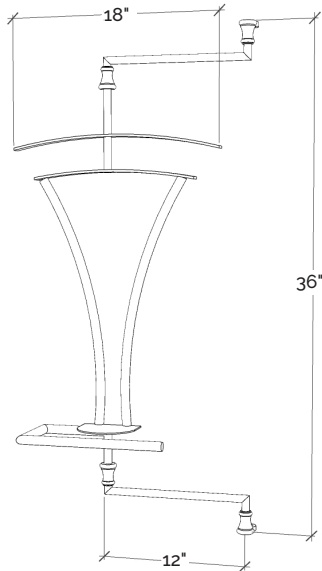


VALET

Application: The Valet features a coat hanger, tie holder, pant hook, and a tray for cufflinks or other accessories. Designed to pair with Fittings Bracket System.

Shagreen Finish Options: Platinum, Caviar, Espresso
See page 35. See website for photos.

	VAL1836
18"x36"	\$2280.00

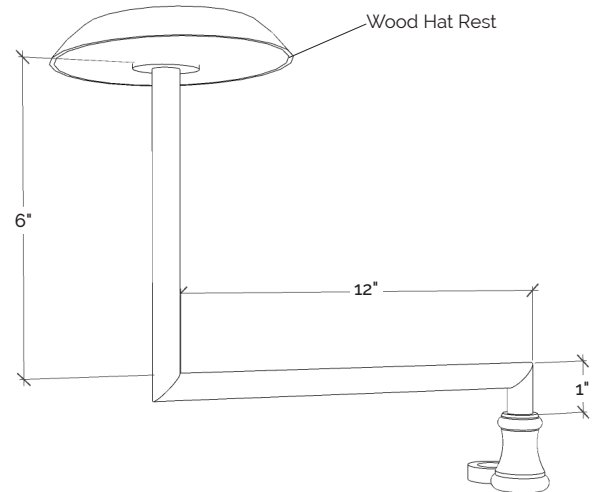


PIVOT HAT DISPLAY

Application: Pivot Hat Display designed to pair with Fittings Bracket System.

Wood Finish Options: White Oak - Clear, White Oak - Black

	PH126
12"x6"	\$385.00



CLOSET ROD SYSTEM



Application: Standard oval metal closet rod. Designed to pair with Fittings Bracket System.

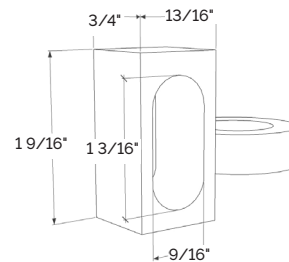
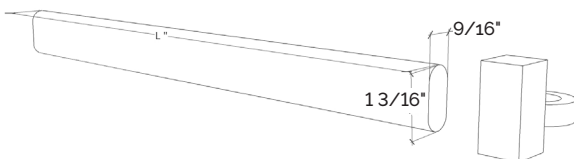
End caps and center supports are sold separately.

Rod dimensions: 1 3/16" x 9/16"

OVAL CLOSET ROD

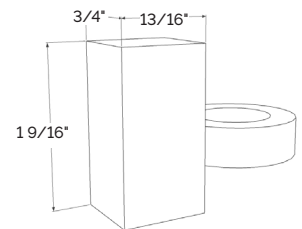
24"	OCR24
	\$24.00
48"	OCR48
	\$48.00
72"	OCR72
	\$72.00
96"	OCR96
	\$96.00

length



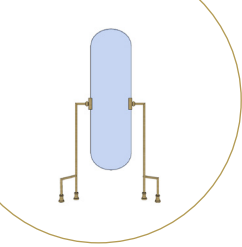
CENTER SUPPORT
Recommended every 36".
Sold individually.

CRCS
\$55.00



END CAP
Connects closet rods to
brackets. Sold as a set of 2.

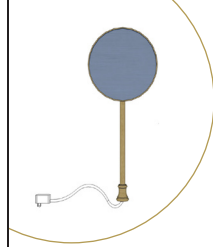
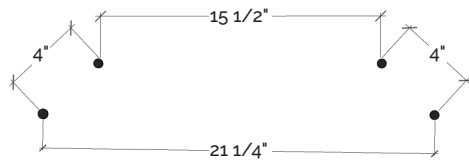
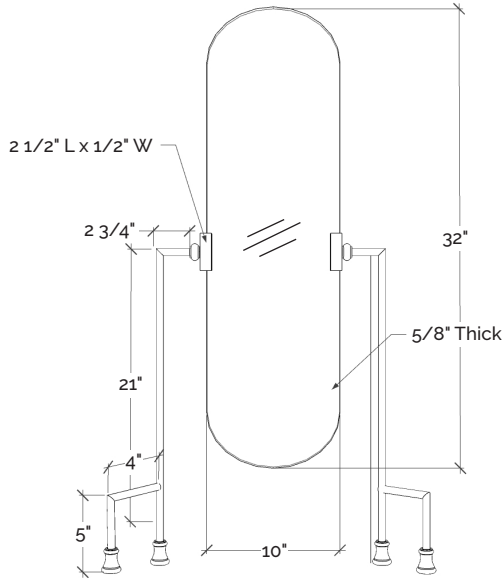
CREC
\$110.00



STANDOFF VANITY MIRROR

Application: Elongated oval vanity mirror. 10" W x 32" H

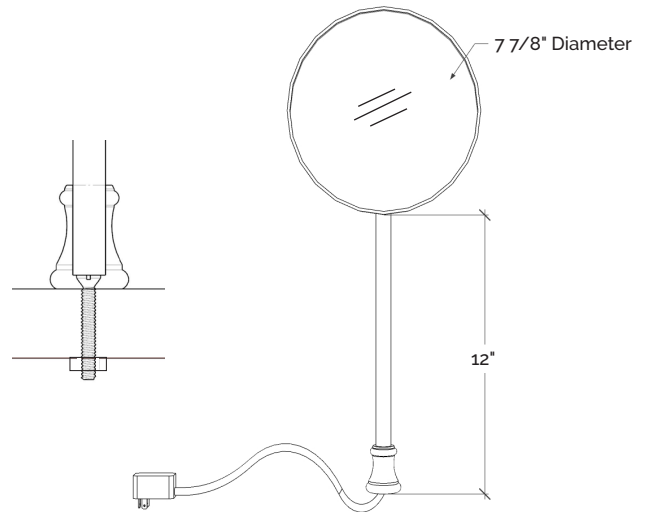
	VM1032
10" x 32"	\$1,680.00



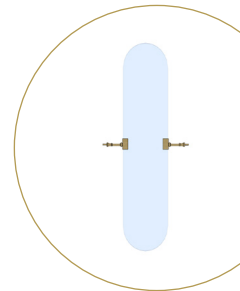
HD LIT MAKEUP MIRROR

Application: The 10x magnifying mirror is detachable from the magnetic base which allows the mirror to rotate 360 degrees. Three modes of color temperature. Removable rechargeable mirror includes power connector.

	LMM612
12" x 7.875"	\$659.00

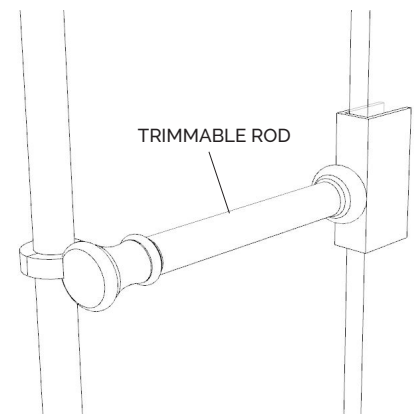
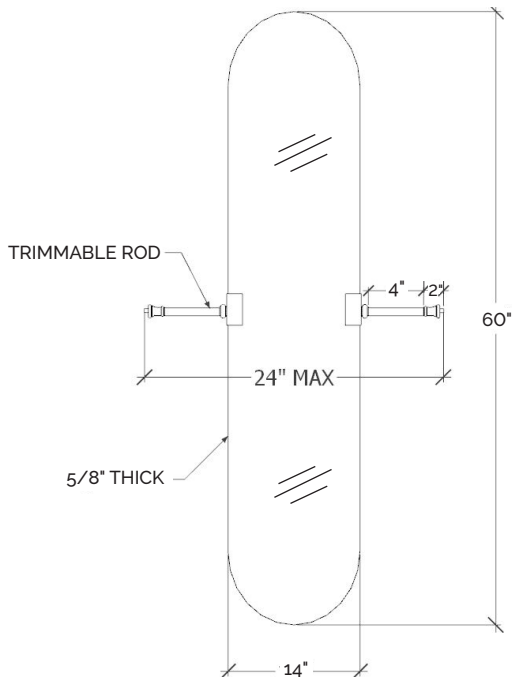


PIVOT MIRROR



Application: Full length mirror designed to be paired with Fittings Bracket System. 14" W x 60" H

	PM1460
14" x 60"	\$1,470.00



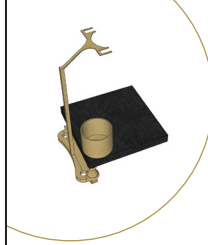
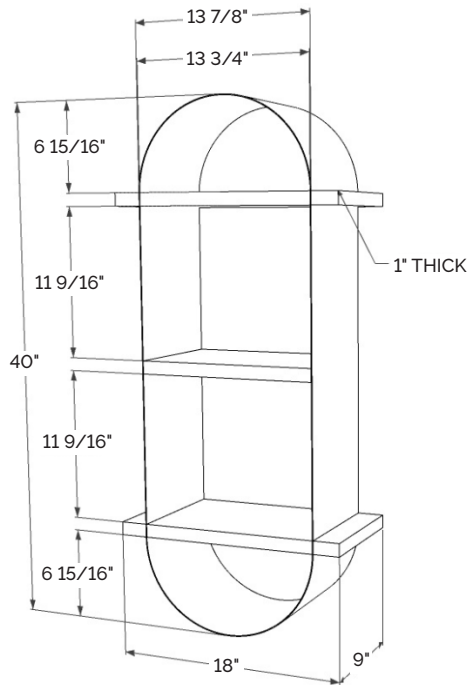


CAPSULE SHELF

Application: The shelving unit features an elongated metal oval with integrated shelves. 18" L x 9" W x 40" H. Designed to pair with Fittings Bracket System.

Shelf Options: White Oak - Clear, White Oak - Black, Matte Laminate - Black, Matte Laminate - White

	CAP1840
18"x40"	\$2650.00

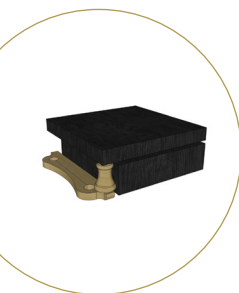
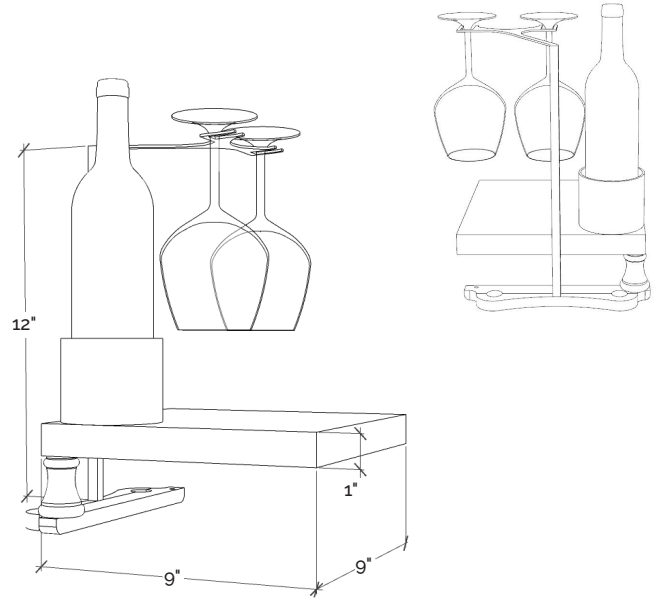


PIVOT WINE SHELF

Application: This unit features a metal wine glass holder for two glasses and a 9" x 9" pivoting shelf that displays a metal wine bottle cuff. Designed to pair with Fittings Bracket System.

Shelf Options: White Oak - Clear, White Oak - Black, Matte Laminate - Black, Matte Laminate - White

	PWS912
12"x9"	\$735.00

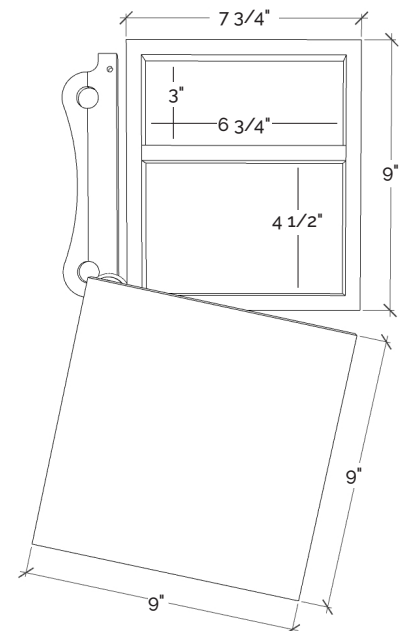
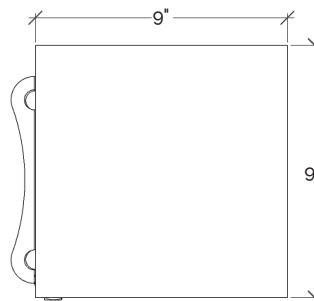


PIVOT STORAGE SHELF

Application: Includes 9" x 9" x 1" shelf, condiment box, and Fitting bracket attachment. Designed to pair with Fittings Bracket System.

Shelf Options: White Oak - Clear, White Oak - Black, Matte Laminate - Black, Matte Laminate - White

	PCS99
9"x9"	\$890.00

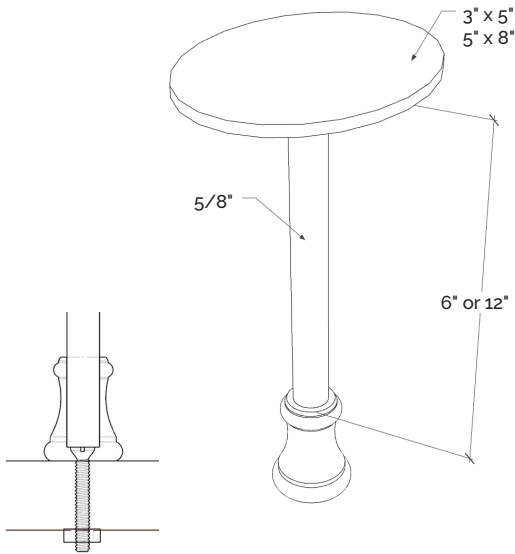




OVAL STANDOFF

Application: Oval display stand designed to be mounted to a countertop.

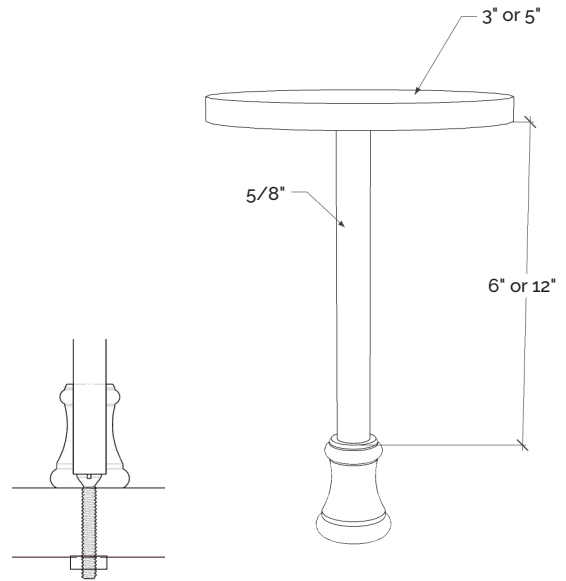
		width	
		3" X 5"	5" X 8"
height	6"	OSO356	OSO586
		\$220	\$235
12"		OSO3512	OSO5812
		\$235	\$245



ROUND STANDOFF

Application: Round display stand designed to be mounted to a countertop.

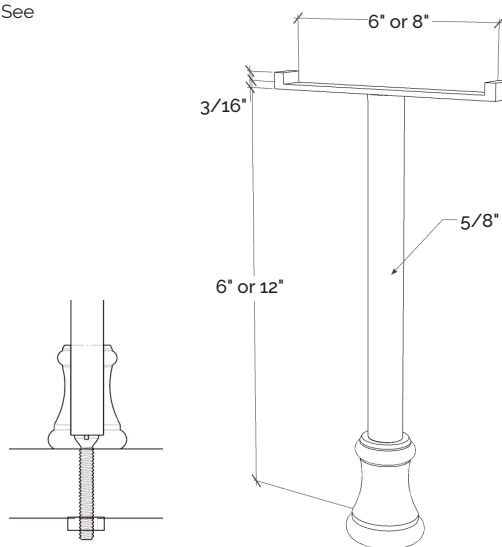
		width	
		3"	5"
height	6"	RSO36	RSO56
		\$220	\$235
12"		RSO312	RSO512
		\$235	\$245



PATISSERIE STAND

Application: Display stand designed to be mounted to a countertop. Sold individually. Glass shelf optional. See website for pricing.

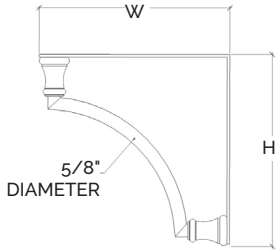
		width	
		6"	8"
height	6"	PS66	PS86
		\$230.00	\$245.00
12"		PS61	PSW812
		\$245.00	\$265.00





CORBEL

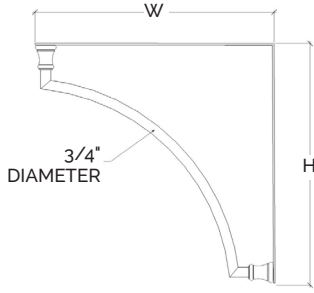
Application: Designed for shelf or countertop support.



5/8" DIAMETER

width

	6	9	12
6	CB66	CB96	CB126
	\$263.84	\$268.75	\$273.77
9	CB69	CB99	CB129
	\$278.09	\$283.33	288.69
12	CB612	CB912	CB1212
	\$293.36	298.96	304.70



3/4" DIAMETER

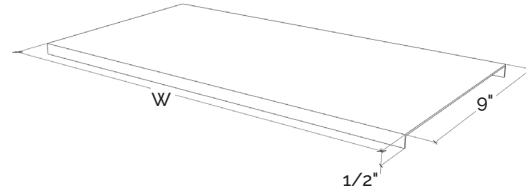
width

	15	18	21
15	CB1515	CB1815	CB2115
	342.45	350.244	358.36
18	CB1518	CB1818	CB2118
	366.15	374.96	384.15
21	CB1521	CB1821	CB2121
	393.05	403.04	413.46



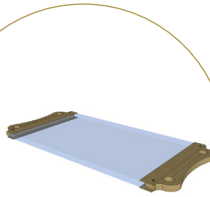
METAL SHELF BASE

Application: Metal Shelf Base designed for Fittings Bracket Systems. Can be used as a standalone shelf or to support stone or porcelain. 9" D x 1/2" H



width

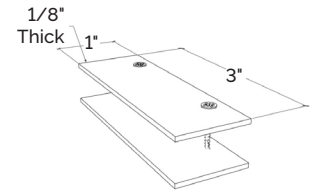
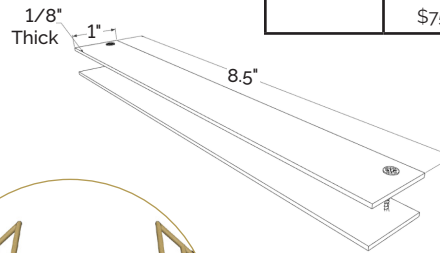
9"	MS99	\$165.00
12"	MS129	\$170.50
15"	MS159	\$176.00
18"	MS189	\$181.50
21"	MS219	\$187.00
24"	MS249	\$192.50
27"	MS279	\$198.00
30"	MS309	\$203.50
33"	MS339	\$223.00
36"	MS369	\$245.00



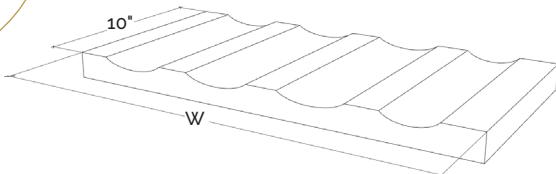
GLASS SHELF CLIP

Application: Glass shelf clips designed for Fittings Bracket Systems. Sold per pair. Bracket end and joining plates are required, but not included - see pg. 38. Sized for 1/2" glass. Glass not included.

3" x 1"	MGSC	\$61.20
8.5" x 1"	GSC	\$75.60



WINE RACK SHELF



Application: Wine Rack Shelf designed for Fittings Bracket Systems. Holds 3-6 wine bottles depending on desired length. 10" D x 1" H

12"-15": Holds 3 bottles
18": Holds 4 bottles
21" & 24": Holds 5 bottles
27" & 30": Holds 6 bottles

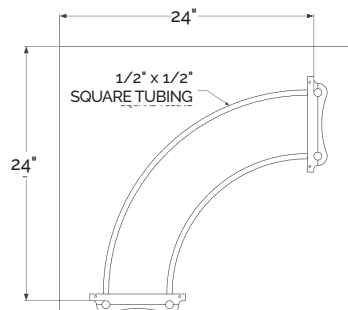
Finish Options:
White Oak - Clear
White Oak - Black

width	
12"	WRS1210
	\$138.80
15"	WRS1510
	\$148.80
18"	WRS1810
	\$158.80
21"	WRS2110
	\$168.80
24"	WRS2410
	\$178.80
27"	WRS2710
	\$188.22
30"	WRS3010
	\$198.26



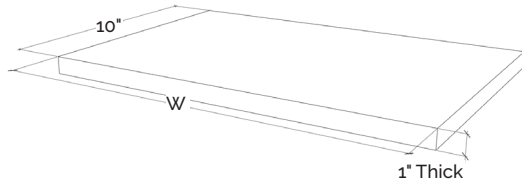
CURVED SHELF BASE

Application: Curved Shelf Base designed for Fittings Bracket Systems to support a wood or porcelain shelf.



24" x 24"	CSB	\$295.00
-----------	-----	----------

WOOD SHELF



Application: Shelving designed for Fittings Bracket Systems. 10" D x 1" thick. Custom sizes available up to 16" D and 144" H. Contact sales@fittingscollection.com for a quote.

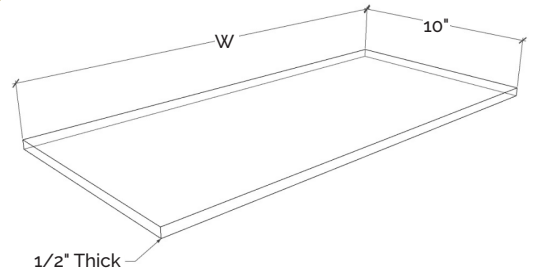
Shelf Options:

- White Oak - Clear
- White Oak - Black
- Matte Laminate - White
- Matte Laminate - Black

9"	WS910
	\$48.20
12"	WS1210
	\$54.03
15"	WS1510
	\$60.11
18"	WS1810
	\$66.80
21"	WS2110
	\$72.03
24"	WS2410
	\$78.30
27"	WS2710
	\$84.60
30"	WS3010
	\$90.03
33"	WS3310
	\$96.11
36"	WS3610
	\$102.80
39"	WS3910
	\$114.03
42"	WS4210
	\$120.20
45"	WS4510
	\$126.30
48"	WS4810
	\$132.11
51"	WS5110
	\$135.80
54"	WS5410
	\$138.03

57"	WS5710
	\$144.20
60"	WS6010
	\$150.30
63"	WS6310
	\$156.11
66"	WS6610
	\$160.80
69"	WS6910
	\$166.03
72"	WS7210
	\$172.20
75"	WS7510
	\$178.30
78"	WS7810
	\$182.11
81"	WS8110
	\$188.80
84"	WS8410
	\$194.03
87"	WS8710
	\$200.20
90"	WS9010
	\$206.30
93"	WS9310
	\$212.11
96"	WS9610
	\$218.80

GLASS SHELF



Application: Tempered glass shelving designed for Fittings Bracket Systems. 10" D x 1/2" thick. Custom sizes available up to 16" D and 144" H. Low iron glass available for a 20% upcharge. Contact sales@fittingscollection.com for a quote.

*The actual glass size will be 1 3/8" less than the order size to allow for glass clips.

9"	GS910
	\$48.20
12"	GS1210
	\$54.03
15"	GS1510
	\$60.11
18"	GS1810
	\$66.80
21"	GS2110
	\$72.03
24"	GS2410
	\$78.30
27"	GS2710
	\$84.60
30"	GS3010
	\$90.03
33"	GS3310
	\$96.11
36"	GS3610
	\$102.80
39"	GS3910
	\$109.10
42"	GS4210
	\$115.40
45"	GS4510
	\$121.70
48"	GS4810
	\$128.00
51"	GS5110
	\$134.30
54"	GS5410
	\$140.60

57"	GS5710
	\$146.90
60"	GS6010
	\$153.20
63"	GS6310
	\$159.50
66"	GS6610
	\$165.80
69"	GS6910
	\$172.10
72"	GS7210
	\$178.40
75"	GS7510
	\$184.70
78"	GS7810
	\$191.00
81"	GS8110
	\$197.30
84"	GS8410
	\$203.60
87"	GS8710
	\$209.90
90"	GS9010
	\$216.20
93"	GS9310
	\$222.50
96"	GS9610
	\$228.80

SALES & MARKETING

SELECTION CENTER

The Fittings Metal Collection Selection Center showcases the Fittings Bracket System and features a flipbook with product application images, the full Display Kit, along with a drawer of finish samples. Dealer Cost: \$2,180.00

DISPLAY KIT

The Fittings Metal Collection Display Kit includes six finish samples, plus the adjustable foot. The kit comes with literature as well as a finish sample ring. Dealer Cost: \$299.00

FINISH SWATCH RING

The Finish Swatch Ring contains samples of our six standard powder-coat finishes including: White, Matte Black, Gunmetal, Gold, Nickel, and Urbane Bronze. Dealer Cost: \$40.00

PRODUCT CATALOG

This 28-page catalog highlights all the current products in the Fittings Metal Collection with size ranges and product application ideas. Sold individually. Dealer Cost: \$3.00 ea

PRICE & SPECIFICATION GUIDE

The Price & Specification Guide features all product pricing, sizes, and dimensions. Sold individually. Dealer Cost \$4.00 ea

HANDOUTS

Pack of 50 premium matte postcards. Dealer Cost: \$65.00



POLICIES & PROCEDURES

OFFICE HOURS

Monday through Friday 9:00 AM - 5:00 PM Eastern Standard Time

ORDERING PROCESS

All orders must be placed online at fittingscollection.com. Upon submission of your order, you will receive an email confirmation. At that point, you will have 24 hours to make any changes. After the first 24 hours, no changes or cancellations can be made and your order will be sent into production. All products are manufactured by individual order.

SHIPPING

Current lead time can be found at fittingscollection.com. You will receive a shipping notification email once your item is shipped from our warehouse. Our collection is made to order and we do not offer returns. Please make sure your order is correct to avoid issues. Shipping is only available in the continental United States.

PRICING

All prices listed in the catalog are list. Prices subject to change. For current pricing visit fittingscollection.com.

Custom Quotes

All quotes for custom pieces are valid for a period of 30 days from the date of the quote. After 30 days items must be re-quoted. To request a custom quote please email sales@fittingscollection.com.

TRADE ACCOUNTS

Applications must be submitted online at fittingscollection.com. All accounts must provide proper tax exemption forms before a tax-exempt status may be achieved. Terms available upon request and subject to credit approval.

FINISH

The material used to create our Fittings Metal Collection is steel. Our architectural powder coating has a matte finish unless otherwise noted. Some welds will be visible. Please visit our website to see our finish video. Sample ring set can be purchased at fittingscollection.com

IMAGERY

Due to size variations, renderings may not depict the actual proportions of your piece. To request a proportional drawing of your piece, please email sales@fittingscollection.com. Cabinetry depicted in images are not included. Legs and brackets are sold individually.

PRODUCT INSTALLATION

Hardware for installation is included with each piece as well as installation instructions unless otherwise noted. We recommend professional installation with all of our products to ensure that all the attachments and blocking considerations are met. Weight limitations should be considered prior to purchase by the final user and professional installer. In certain installations, anti-tip mechanisms should be considered and provided by the final user and/or professional installer. Architectural Justice and Fittings Metal Collection will not be responsible for improper or faulty installations, attachments, anti-tip mechanisms, or blocking considerations.

THANK YOU FOR CHOOSING FITTINGS METAL COLLECTION



James & Darlene Justice

James & Darlene Justice
Owners of Fittings Metal Collection

FINISHES

The highly durable architectural powder coat finishes will complement any design style.

MATERIAL

The materials used to create Fittings Metal Collection are steel and aluminum. Our architectural powder coating has a matte finish unless otherwise noted.

CARE

We only recommend using warm water with a mild detergent for the best, safest results. Avoid abrasive chemical solvents or petroleum based products.

CUSTOM FINISHES

Custom colors are available at a 30% upcharge, please visit Prismatic Powders at prismaticpowders.com and order sample swatches directly. They have over 6,500 colors to choose from. Once your color is decided, please contact us at sales@fittingscollection.com and we can provide a custom quote.



GUNMETAL

WHITE

MATTE
BLACK

GOLD

NICKEL

URBANE
BRONZE



WHITE OAK
CLEAR

WHITE OAK
BLACK

WHITE MATTE
LAMINATE

BLACK MATTE
LAMINATE

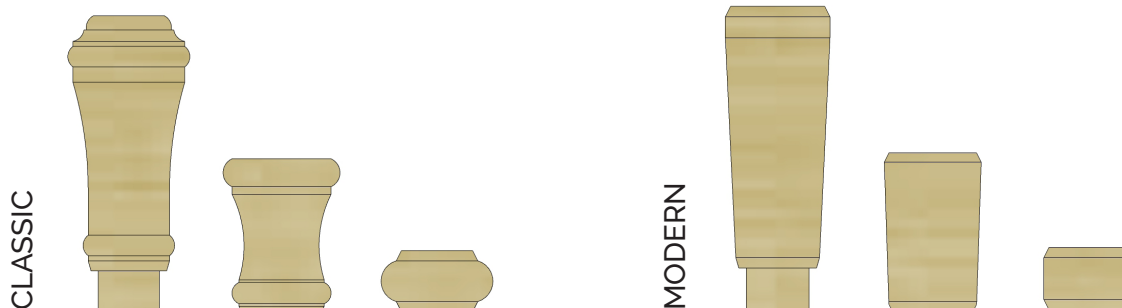
PLATINUM
SHAGREEN

CAVIAR
SHAGREEN

ESPRESSO
SHAGREEN

FITTINGS

With each product you'll have the option to choose from the Classic or Modern design style.



CLASSIC

MODERN



FITTINGS

METAL COLLECTION

Learn about our trade program at
FITTINGSCOLLECTION.COM
or contact us at sales@fittingscollection.com
330.591.2810