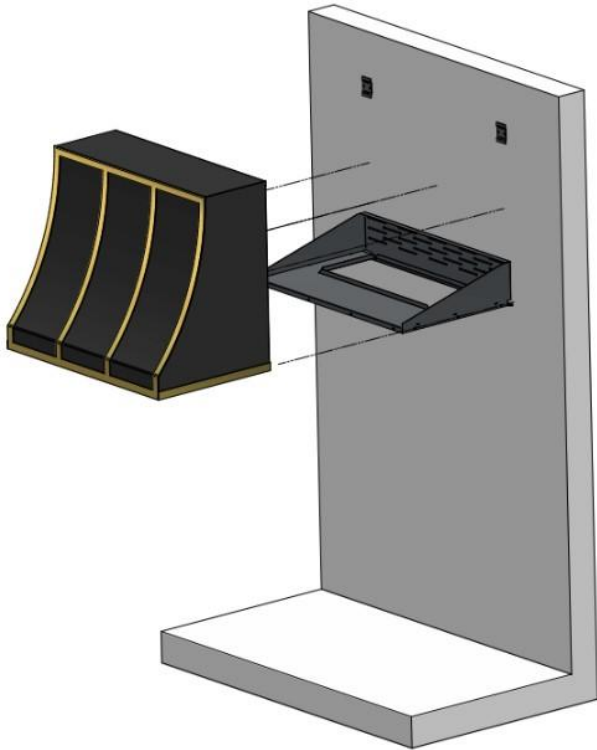




FITTINGS

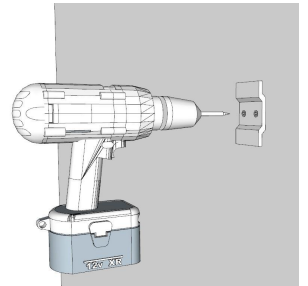
METAL COLLECTION

CLASSIC RANGE HOOD MODERN RANGE HOOD APPLICATION UNDER CEILING/SOFFIT

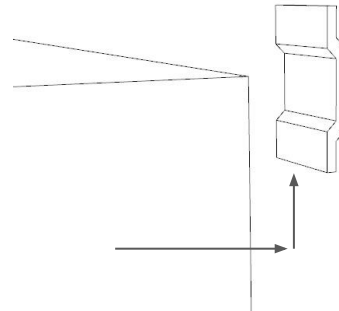


A. Locate studs or suitable blocking for wall cleats in the desired location.

B. Attach the cleats with the supplied hardware making sure they are level.

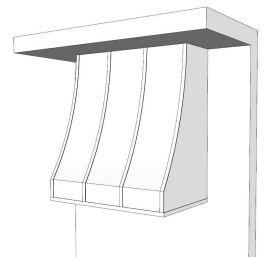


C. Hang the assembled hood onto the cleats in an upward position and mount the shelf liner making sure it is level with the cleats.



D. Remove the decorative metal shroud. Install blower/insert per manufacturer's specifications.

E. Once inspection is completed, hang the decorative metal shroud onto the installed cleats.



We recommend professional installation with all of our products to ensure that all the attachments and blocking considerations are met. Weight limitations and number of fasteners should be considered by the final user and professional installer. Installers are responsible for any anti-tip fasteners or devices. Certain products are not recommended for free-standing pieces. For Range Hood insert installations, please refer to your appliance manufacturers specifications and instructions.