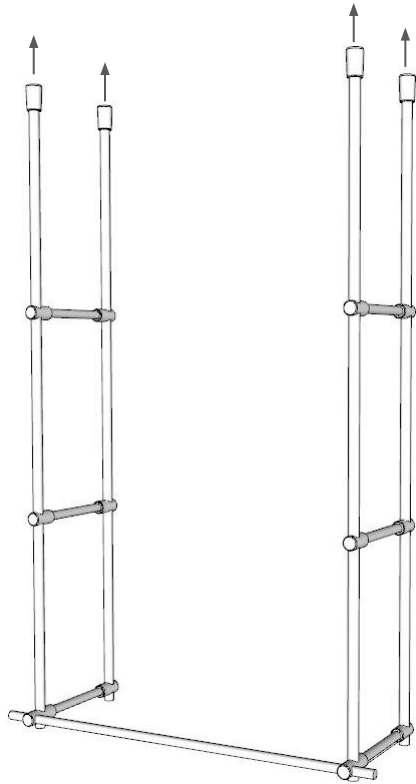




FITTINGS

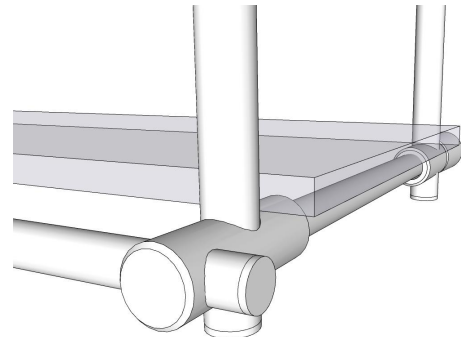
METAL COLLECTION

BISTRO CEILING SHELF

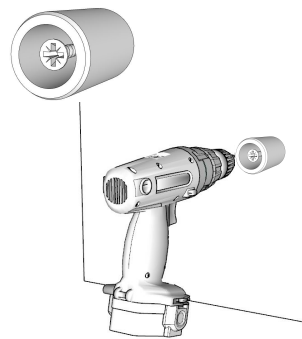


We recommend professional installation with all of our products to ensure that all the attachments and blocking considerations are met. Weight limitations and number of fasteners should be considered by the final user and professional installer.

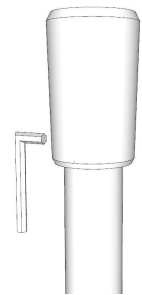
- A.** Measure the spacing for your vertical supports and mark the wall with your center points. We recommend leaving minimum 1.5" overhang from vertical support centerline for glass overhang.



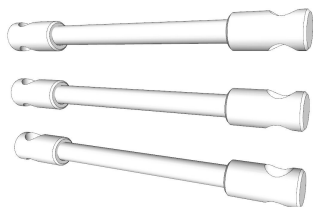
- B.** Mount collars to surface blocking or ceiling blocking and affix by screwing into place.



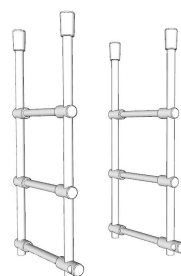
- C.** Insert each vertical rod into the fittings. Tighten the set screws once you place your rods in each desired position.



- D.** Make sure all set screws for vertical rods are backed out of each hole for easy assembly.



- E.** Slide the horizontal bars onto the vertical rods and make sure they are level. Tighten each set screw once in desired location.



- F.** Slide horizontal rail into fittings and secure with provided set screws. Install desired shelving onto horizontal supports.

